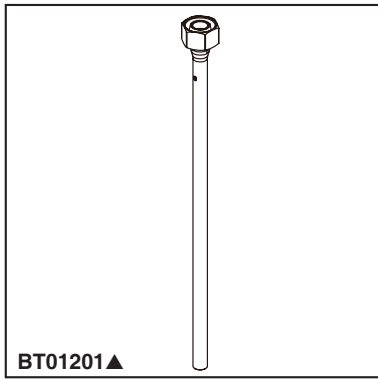


BRIZO®

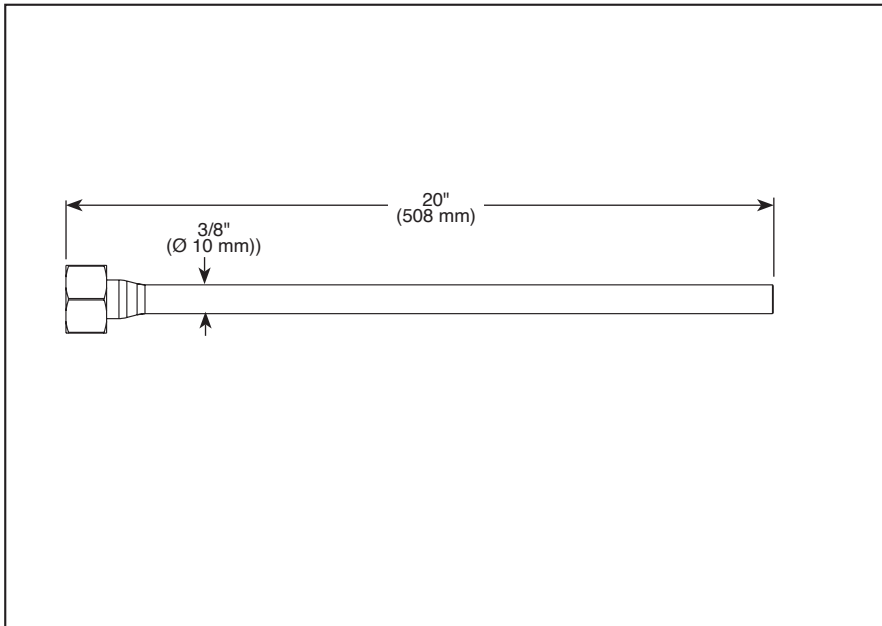
ACCESSORIES

■ Supply line



Submitted Model No.: _____

Specific Features: _____



STANDARD SPECIFICATIONS:

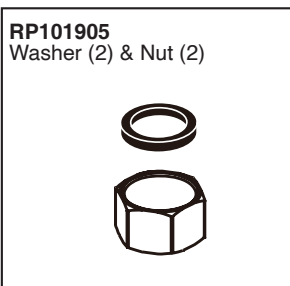
- 3/8" copper tubing
- Bull-nose connection to faucet
- Includes 1/2-14 NPSM nut for faucet connection
- 3/8" compression connection to supply stop (Compression fitting not included)
- Tube to be cut to length at installation

WARRANTY

- The finished supply line is warranted to the original consumer purchaser to be free from defects in material and workmanship for two (2) years from the date of purchase.

COMPLIES WITH:

- ASME A112.18.6 / CSA B125.6



▲ Designate proper finish suffix

Brizo Kitchen & Bath Company reserves the right (1) to make changes in specifications and materials, and (2) to change or discontinue models, both without notice or obligation. Dimensions are for reference only. See current full-line price book or www.brizo.com for finish options and product availability.

BSP-A-BT01201 Rev. A

Brizo Kitchen & Bath Company

55 E. 111th Street, Indianapolis, Indiana 46280
350 South Edgeware Road, St. Thomas, ON N5P 4L1
© 2022 Brizo Kitchen & Bath Company

BRIZO®

ACCESSORIES

- Supply stop

STANDARD SPECIFICATIONS:

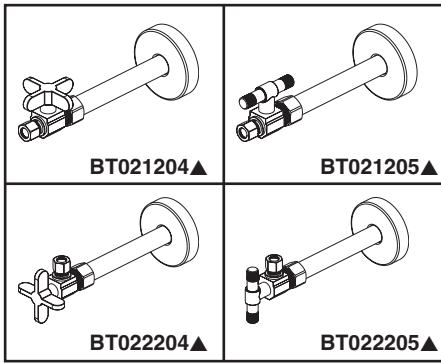
- Brass construction
- 1/4 turn stainless steel ball valve
- 1/2" nominal compression inlet connection
- 3/8" OD compression outlet connection
- Includes wall flange and 5" supply tube cover

WARRANTY

- Parts and Finish - Lifetime limited warranty; or for commercial purchasers, 10 years for multi-family residential (apartments and condominiums) and 5 years for all other commercial uses, in each case from the date of purchase.
- Electronic Parts and Batteries (if applicable) - 5 years from the date of purchase; or for commercial purchasers, 1 year from the date of purchase. No warranty is provided on batteries.

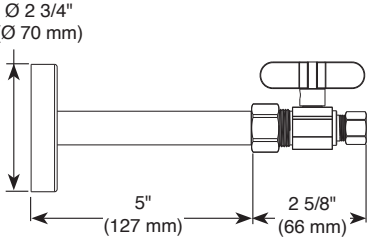
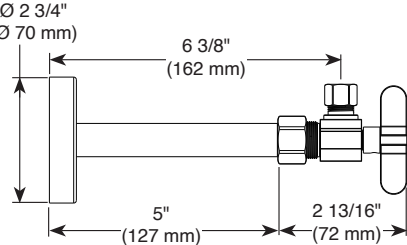
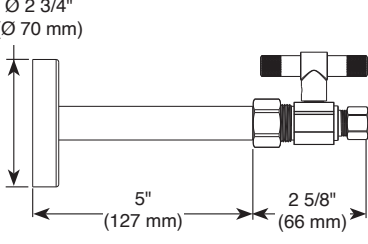
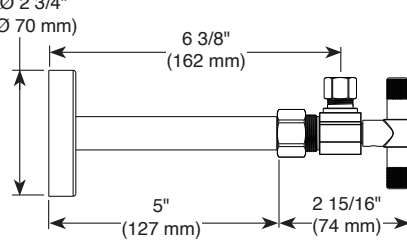
COMPLIES WITH:

- ASME A112.18.1 / CSA B125.1



Submitted Model No.: _____

Specific Features: _____

Straight	Angled
<p style="text-align: center;">BT021204▲</p> 	<p style="text-align: center;">BT022204▲</p> 
<p style="text-align: center;">BT021205▲</p> 	<p style="text-align: center;">BT022205▲</p> 

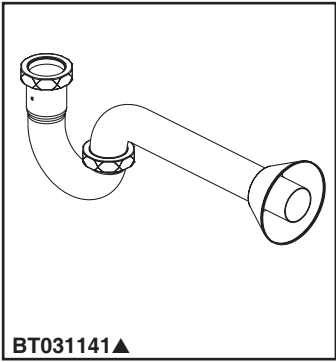
▲ Designate proper finish suffix

Brizo Kitchen & Bath Company reserves the right (1) to make changes in specifications and materials, and (2) to change or discontinue models, both without notice or obligation. Dimensions are for reference only. See current full-line price book or www.brizo.com for finish options and product availability.

BSP-A-BT021204 Rev. A

Brizo Kitchen & Bath Company

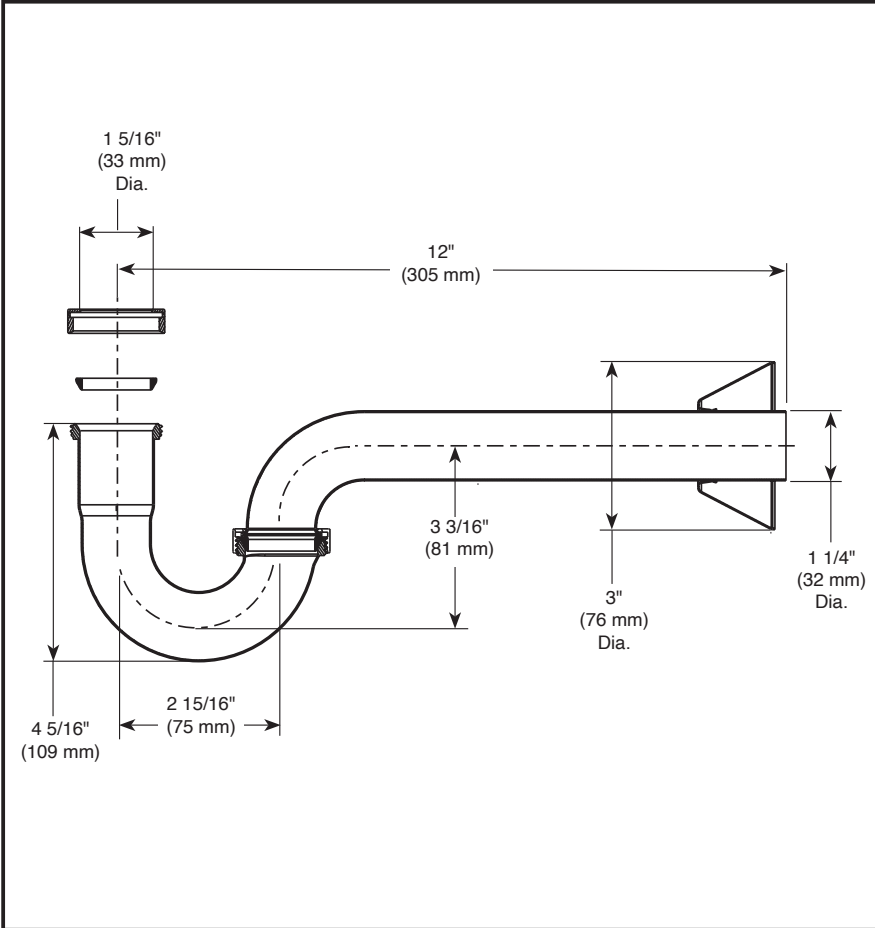
55 E. 111th Street, Indianapolis, Indiana 46280
 350 South Edgeware Road, St. Thomas, ON N5P 4L1
 © 2022 Brizo Kitchen & Bath Company



BT031141▲

Submitted Model No.: _____

Specific Features: _____



▲ Designate proper finish suffix

BRIZO®

ACCESSORIES

■ P-Trap

STANDARD SPECIFICATIONS:

- Finished to match Brizo products
- 20 Ga. brass construction
- Adjustable rotation on tube outlet
- Slip-joint inlet
- 12" straight arm
- Escutcheon included

WARRANTY

- Parts and Finish - Lifetime limited warranty; or for commercial purchasers, 10 years for multi-family residential (apartments and condominiums) and 5 years for all other commercial uses, in each case from the date of purchase.
- Electronic Parts and Batteries (if applicable) - 5 years from the date of purchase; or for commercial purchasers, 1 year from the date of purchase. No warranty is provided on batteries.

COMPLIES WITH:

- ASME A112.18.2 / CSA B125.2

Delta reserves the right (1) to make changes in specifications and materials, and (2) to change or discontinue models, both without notice or obligation. Dimensions are for reference only. See current full-line price book or www.deltafaucet.com for finish options and product availability.

BSP-A-BT031141 Rev. B

Brizo Kitchen & Bath Company

55 E. 111th Street, Indianapolis, Indiana 46280
 350 South Edgeware Road, St. Thomas, ON N5P 4L1
 © 2022 Brizo Kitchen & Bath Company