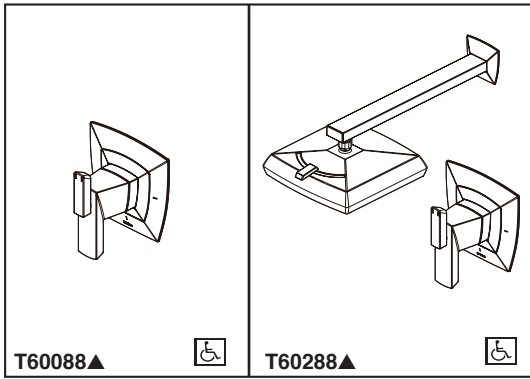


BRIZO®

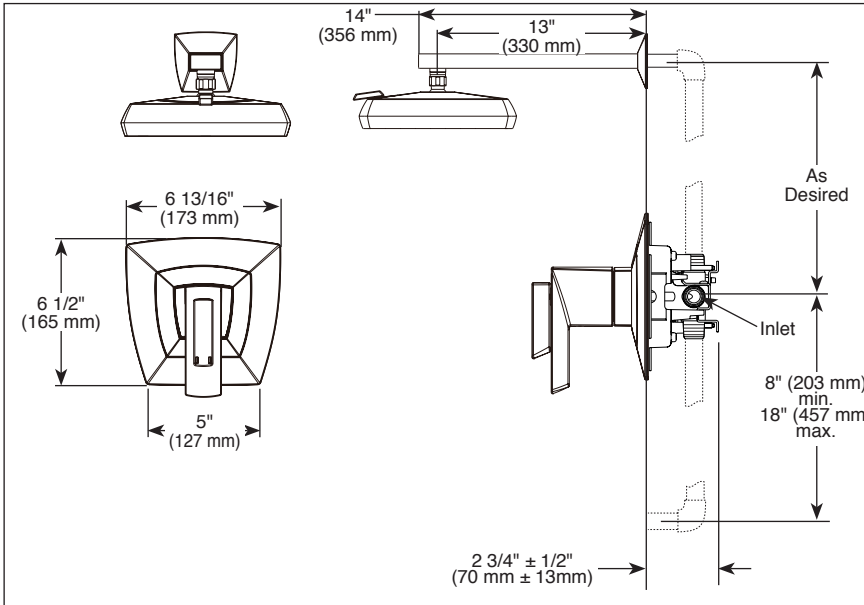
SHOWER FAUCET TRIM

- Vettis® Collection
- Valve Only (T60088)
- Shower Only (T60288)



Submitted Model No.: _____

Specific Features: _____



FEATURES:

- TempAssure® thermostatic valve cartridge
- H₂Okinetic® Multi-function showerhead

STANDARD SPECIFICATIONS:

- Max flow rate 1.75 gpm @ 80 psi, 6.6 L/min @ 550 kPa
- Max system flow rate 9.4 gpm @ 60 psi with R60000-UNBXHF
- Thermostatic wax element maintains the outlet temperature to +3.6 F
- Must also order MultiChoice® Universal rough valve body (R60000 Series)
- Back-to-back installation capability
- Lever volume control handle; temperature adjustment lever
- Red/Blue temperature indication on handle
- Field adjustable to limit handle rotation into hot water zone
- All parts replaceable from the front of the valve
- Adjusts for up to 1" wall thickness. Optional extension kit (RP91022▲) extends rough installation up to 1 3/4"
- Solid brass showerarm

WARRANTY

- Parts and Finish - Lifetime limited warranty; or for commercial purchasers, 10 years for multi-family residential (apartments and condominiums) and 5 years for all other commercial uses, in each case from the date of purchase.
- Electronic Parts and Batteries (if applicable) - 5 years from the date of purchase; or for commercial purchasers, 1 year from the date of purchase. No warranty is provided on batteries.

87488▲ 1.75 GPM Showerhead

H2Okinetic®
Spray

Full Body
Spray

Massaging
Spray

Pause

RP90567▲ (Non-Diverter)
* Sold separately

RP90568▲ (Pull-Up Diverter)
* Sold separately

RP91022▲ Available Extension Kit
* Sold separately



COMPLIES WITH:

- ASME A112.18.1 / CSA B125.1
- Indicates compliance to ICC/ANSI A117.1 - Valve control only
- EPA WaterSense® - applies to showerhead only (87488)

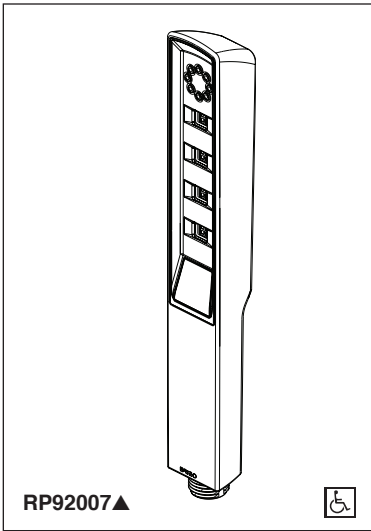
▲ Designate proper finish suffix

Brizo reserves the right (1) to make changes in specifications and materials, and (2) to change or discontinue models, both without notice or obligation. Dimensions are for reference only. See current full-line price book or www.brizo.com for finish options and product availability.

Brizo Kitchen & Bath Company

55 E. 111th Street, Indianapolis, Indiana 46280
350 South Edgeware Road, St. Thomas, ON N5P 4L1
© 2019 Brizo Kitchen & Bath Company

BRIZO® HAND SHOWER

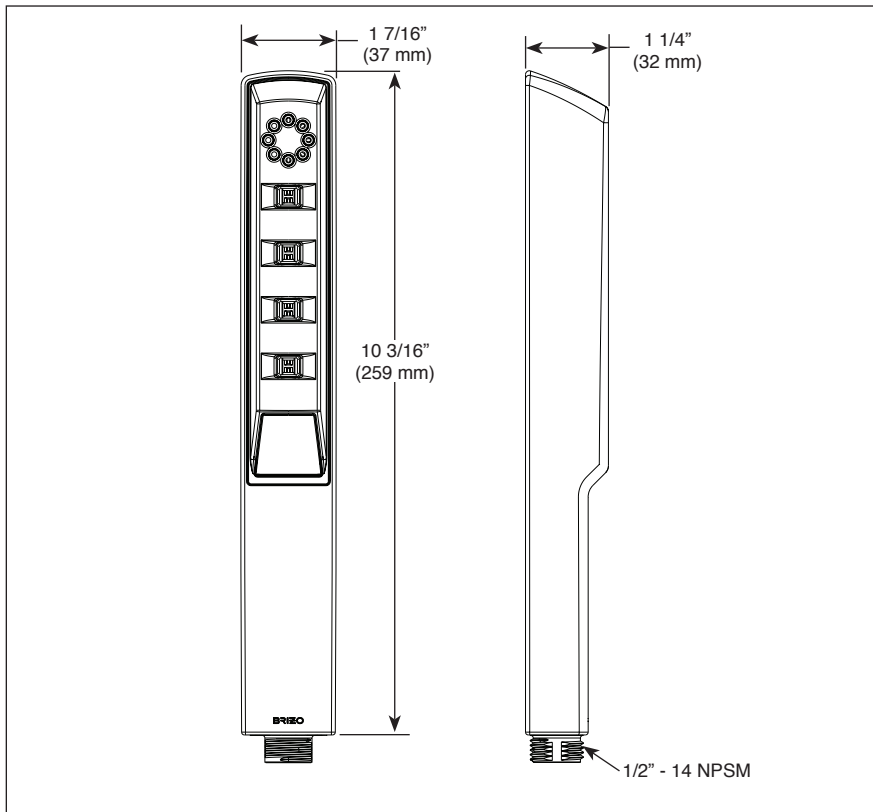


RP92007▲



Submitted Model No.: _____

Specific Features: _____



▲ Designate proper finish suffix

Spray Pattern



H₂Okinetic
Technology®



Massaging
Spray



Pause

- ◆ Your Brizo Faucet hand shower incorporates a backflow protection system that has been tested to be in compliance with ASME A112.18.3. It incorporates two certified check valves in series, which operate independently and are integral, non-serviceable parts of the wand assembly.

Brizo Kitchen & Bath Company reserves the right (1) to make changes in specifications and materials, and (2) to change or discontinue models, both without notice or obligation. Dimensions are for reference only. See current full-line price book or www.brizo.com for finish options and product availability.

BSP-B-RP92007 Rev. A

FEATURES:

- Multi function hand shower featuring H₂Okinetic Technology®

STANDARD SPECIFICATIONS:

- Maximum 1.75 gpm @ 80 psi, 6.6 L/min @ 550 kPa
- Certified dual check valves for backflow prevention
- Multiple spray settings and pause feature - pause is a non-positive shut-off
- ADA compliant hand shower when installed per accessibility guidelines of the act

WARRANTY

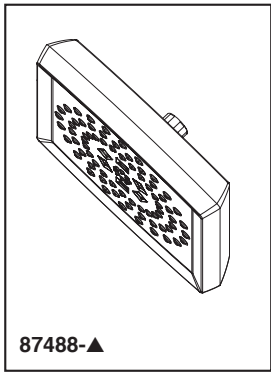
- Parts and Finish - Lifetime limited warranty; or for commercial purchasers, 10 years for multi-family residential (apartments and condominiums) and 5 years for all other commercial uses, in each case from the date of purchase.
- Electronic Parts and Batteries (if applicable) - 5 years from the date of purchase; or for commercial purchasers, 1 year from the date of purchase. No warranty is provided on batteries.



COMPLIES WITH:

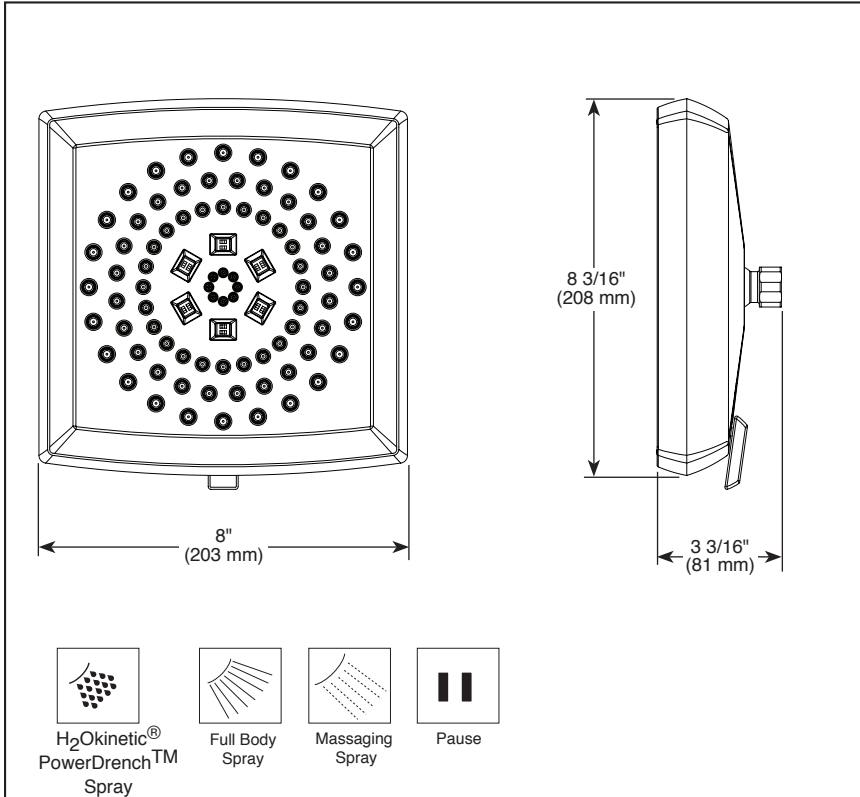
- ASME A112.18.1 / CSA B125.1 ◆
- Indicates compliance to ICC/ANSI A117.1
- EPA WaterSense®

Brizo Kitchen & Bath Company
55 E. 111th Street, Indianapolis, IN 46280
350 South Edgeware Road, St. Thomas, ON N5P 4L1
© 2019 Brizo Kitchen & Bath Company



Submitted Model No.: _____

Specific Features: _____



▲ Designate finish suffix

BRIZO®

MULTI-FUNCTION SHOWERHEAD

- Vettis™ Bath Collection
- 4-Function Showerhead Featuring H₂Okinetic® Technology

FEATURES:

- Touch-Clean® Nozzles
- H₂Okinetic® Technology

STANDARD SPECIFICATIONS:

- Showerhead has 1/2"-14 NPSM female connection
- Maximum 1.75 gpm @ 80 psi, 6.6 L/min @ 550 kPa
- Wrench flats for tightening
- Showerhead ball nut pivots, rotates and provides extra thread coverage
- Lever for easy spray selection control
- Finished spray face matches shell finish

WARRANTY

- Parts and Finish - Lifetime limited warranty; or for commercial purchasers, 10 years for multi-family residential (apartments and condominiums) and 5 years for all other commercial uses, in each case from the date of purchase.
- Electronic Parts and Batteries (if applicable) - 5 years from the date of purchase; or for commercial purchasers, 1 year from the date of purchase. No warranty is provided on batteries.



COMPLIES WITH:

- ASME A112.18.1 / CSA B125.1
- EPA WaterSense®