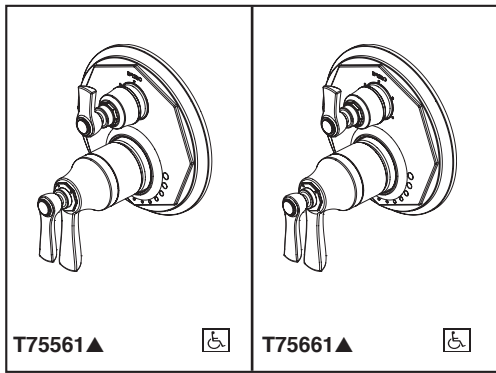


# BRIZO®

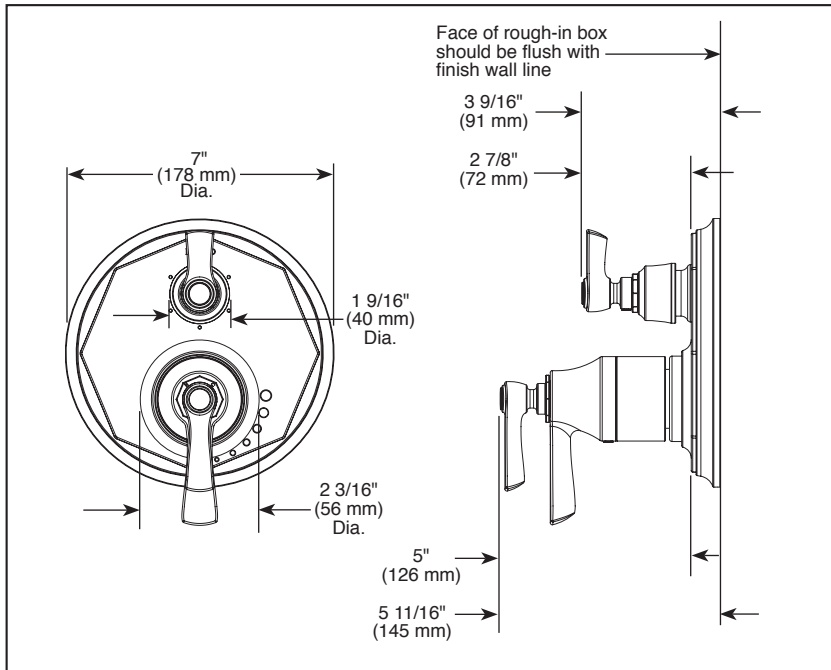
## INTEGRATED SHOWER DIVERTER TRIM

- Rook™ Valve Trim with Three Function Diverter (T75561)
- Rook™ Valve Trim with Six Function Diverter (T75661)
- Three Lever Handles

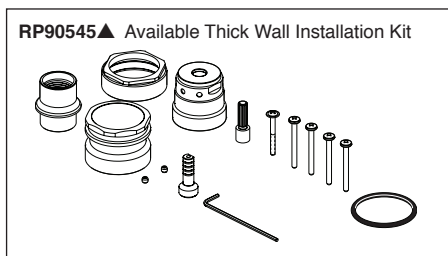


Submitted Model No.: \_\_\_\_\_

Specific Features: \_\_\_\_\_



▲ Designate Proper Finish Suffix



### FEATURES:

- TempAssure® Thermostatic valve trim
- Three or six function diverter trim


### STANDARD SPECIFICATIONS:

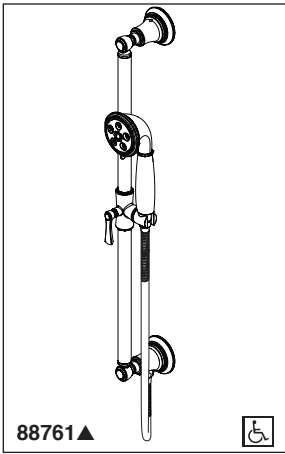
- Main control utilizes Thermostatic Valve cartridge
- Thermostatic wax element maintains the outlet temperature to  $\pm 3.6^\circ\text{F}$
- For use with MultiChoice® Universal integrated shower diverter rough valve body (R75000 Series)
- Maximum system flow rate 7.2 gpm @ 60 psi with R75000
- Back-to-back installation capability
- Top handle controls diverter functions
- Bottom (2) handles control volume and temperature
- Field adjustable to limit bottom handle rotation into hot water zone
- Bottom handle  $90^\circ$  Maximum rotation
- Graphics indicate hot/cold temperature adjustment
- Three function diverter for 2 individual positions, 1 shared position
- For two individual functions, no shared functions, order additional RP72123
- Six function diverter for 3 individual positions, 3 shared positions
- For three individual functions, no shared functions, order additional RP72124
- $1/2$ " rough-in
- Cartridges included
- Standard installation allows up to  $1-1/8$ " finished wall thickness
- Thick wall installation kit (RP90545▲) can be ordered to allow for up to  $2-1/8$ " finished wall thickness

### WARRANTY

- Lifetime limited warranty on parts (other than electronic parts and batteries) and finishes: or, for commercial users, for 5 years from date of purchase.
- 5 year limited warranty on electronic parts (other than batteries); or, for commercial users, for 1 year from the date of purchase. No warranty is provided on batteries.

### COMPLIES WITH:

- ASME A112.18.1 / CSA B125.1
-  Indicates compliance to ICC/ANSI A117.1

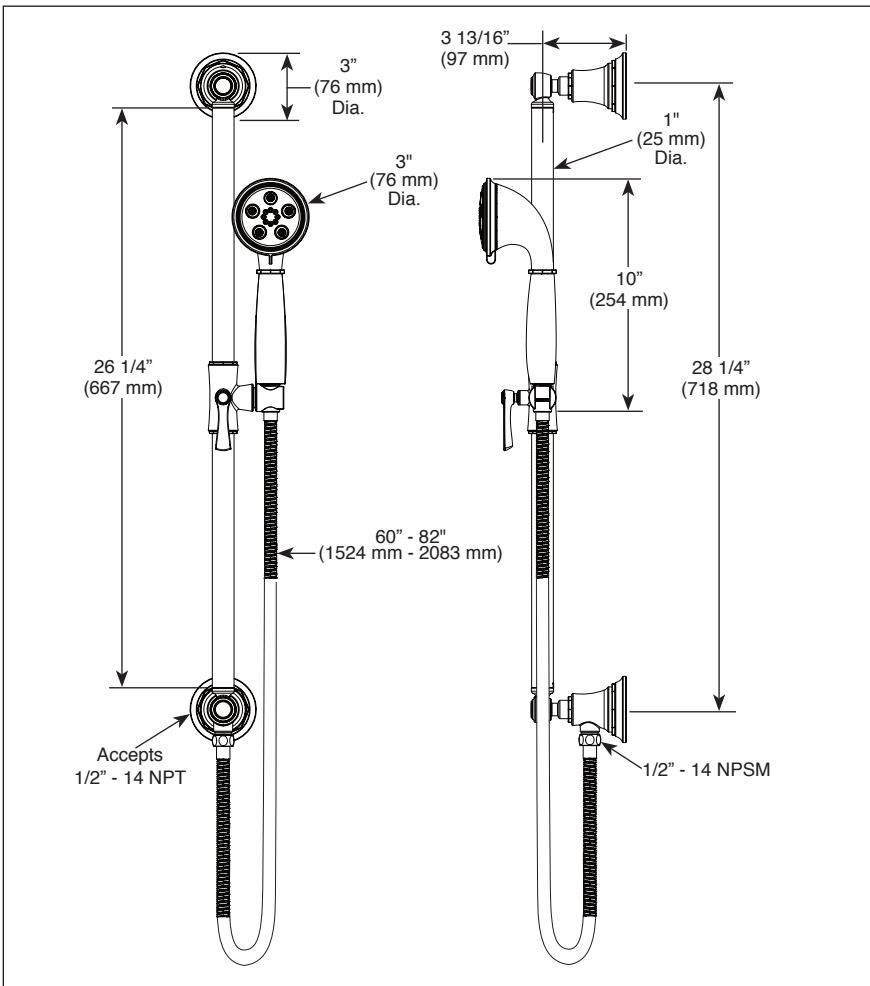


88761▲



Submitted Model No.: \_\_\_\_\_

Specific Features: \_\_\_\_\_



▲ Designate proper finish suffix

**Spray Pattern**



H<sub>2</sub>Okinetic Technology®



Massaging Spray



Pause

◆ Your Brizo Faucet hand shower incorporates a backflow protection system that has been tested to be in compliance with ASME A112.18.3. It incorporates two certified check valves in series, which operate independently and are integral, non-serviceable parts of the wand assembly.

Brizo Kitchen & Bath Company reserves the right (1) to make changes in specifications and materials, and (2) to change or discontinue models, both without notice or obligation. Dimensions are for reference only. See current full-line price book or [www.brizo.com](http://www.brizo.com) for finish options and product availability.

BSP-B-88761 Rev. E

# BRIZO®

## HAND SHOWER W/ SLIDE BAR

■ Rook® Collection

**FEATURES:**

- Multi function hand shower featuring H<sub>2</sub>Okinetic Technology®

**STANDARD SPECIFICATIONS:**

- Maximum 1.75 gpm @ 80 psi, 6.6 L/min @ 550 kPa
- Wall bar with adjustable slide (allows for adjustable shower height). Not to be used as a grab bar.
- 60" - 82" (1524 mm - 2083 mm) stretchable finished metal hose
- Wall bar includes integrated elbow for hose connection
- Slide bar can be installed with hose connection on top if desired
- Multiple spray settings and pause feature - pause is a non-positive shut-off

**WARRANTY**

- Parts and Finish - Lifetime limited warranty; or for commercial purchasers, 10 years for multi-family residential (apartments and condominiums) and 5 years for all other commercial uses, in each case from the date of purchase.
- Electronic Parts and Batteries (if applicable) - 5 years from the date of purchase; or for commercial purchasers, 1 year from the date of purchase. No warranty is provided on batteries.



**COMPLIES WITH:**

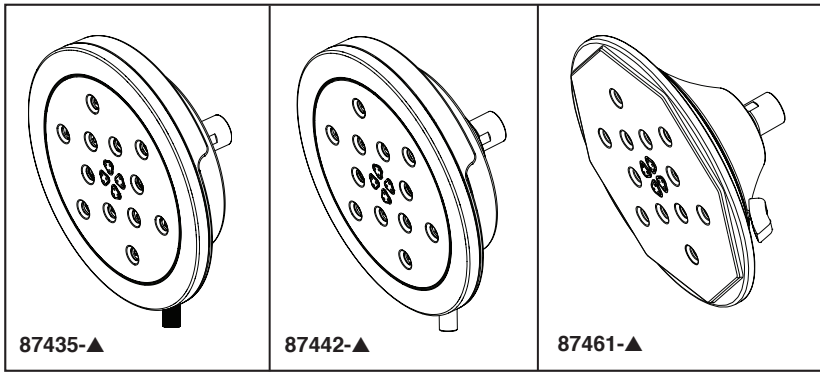
- ASME A112.18.1 / CSA B125.1 ◆
- Indicates compliance to ICC/ANSI A117.1 - Applies to hand shower only
- EPA WaterSense®

**Brizo Kitchen & Bath Company**

55 E. 111th Street, Indianapolis, Indiana 46280  
 350 South Edgeware Road, St. Thomas, ON N5P 4L1  
 © 2018 Brizo Kitchen & Bath Company

# BRIZO®

## MULTI-FUNCTION SHOWER HEAD



Submitted Model No.: \_\_\_\_\_

Specific Features: \_\_\_\_\_

**87435-▲ Litze™ Collection**

**87442-▲ Atavis™ Collection**

**87461-▲ Rook™ Collection**

▲ Designate finish suffix

### FEATURES:

- 4-function shower head featuring H<sub>2</sub>Okinetic® Technology

### STANDARD SPECIFICATIONS:

- Shower head has 1/2"-14 NPSM female connection
- Maximum 1.75 gpm @ 80 psi, 6.6 L/min @ 550 kPa
- Wrench flats for tightening
- Shower head ball nut pivots, rotates and provides extra thread coverage
- Lever function control

### WARRANTY

- Lifetime limited warranty on parts (other than electronic parts and batteries) and finishes: or, for commercial users, for 5 years from date of purchase.
- 5 year limited warranty on electronic parts (other than batteries); or, for commercial users, for 1 year from the date of purchase. No warranty is provided on batteries.



### COMPLIES WITH:

- ASME A112.18.1 / CSA B125.1
- EPA WaterSense®

### Spray Patterns



H<sub>2</sub>Okinetic  
Technology®  
Full Body



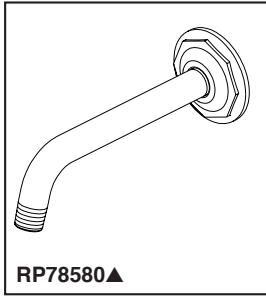
H<sub>2</sub>Okinetic  
Technology®  
Invigorating



Massaging  
Spray

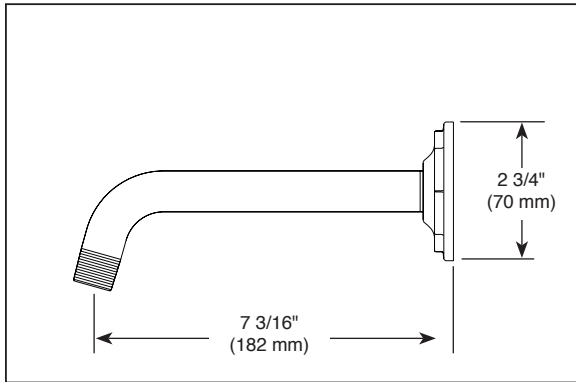


Pause



Submitted Model No.: \_\_\_\_\_

Specific Features: \_\_\_\_\_



▲ Designate proper finish suffix

# BRIZO®

## SHOWER ARM AND FLANGE

■ Rook® Collection

### STANDARD SPECIFICATIONS:

- Solid brass construction
- 1/2" NPT threads

### WARRANTY

- Lifetime limited warranty on parts (other than electronic parts and batteries) and finishes; or, for commercial users, for 5 years from date of purchase.
- 5 year limited warranty on electronic parts (other than batteries); or, for commercial users, for 1 year from the date of purchase. No warranty is provided on batteries.