

BRIZO®

PRESSURE BALANCE VALVE TRIM

- Litze® Bath Collection
- Valve Trim Only (T60P035-LHP)

FEATURES:

- Touch-Clean® Nozzles

STANDARD SPECIFICATIONS:

- Maintains a balanced pressure of hot and cold water even when a valve is turned on or off elsewhere in the system
- For use with MultiChoice® Universal rough valve body (R60000 Series)
- Max system flow rate 6.3 gpm at 60 psi with R60000-UNBXHF
- Back-to-back installation capability
- Solid brass fabricated body
- Temperature only controlled with handle
- Field adjustable to limit handle rotation into hot water zone
- All parts replaceable from the front of the valve
- Optional extension kit (RP81665) extends rough installation up to 1 3/4"

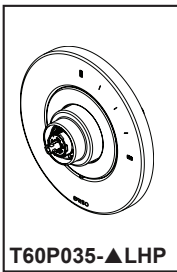
WARRANTY

- Parts and Finish - Lifetime limited warranty; or for commercial purchasers, 10 years for multi-family residential (apartments and condominiums) and 5 years for all other commercial uses, in each case from the date of purchase.
- Electronic Parts and Batteries (if applicable) - 5 years from the date of purchase; or for commercial purchasers, 1 year from the date of purchase. No warranty is provided on batteries.

COMPLIES WITH:

- ASME A112.18.1 / CSA B125.1
- ASSE 1016

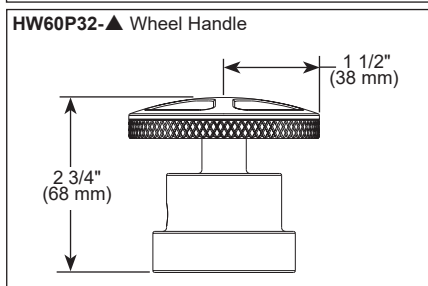
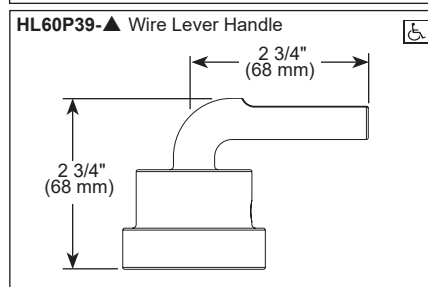
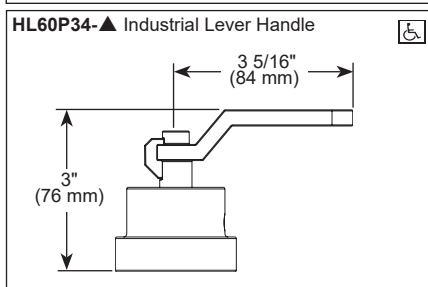
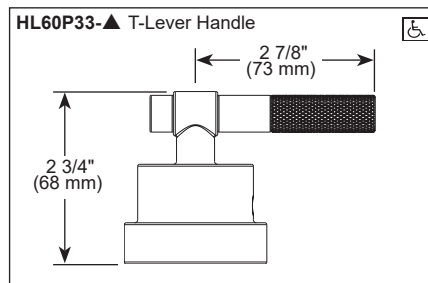
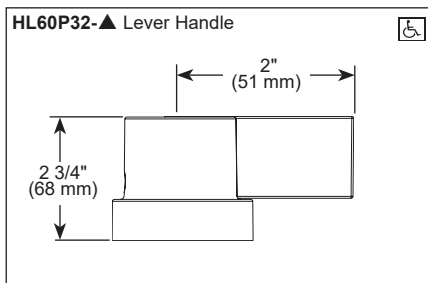
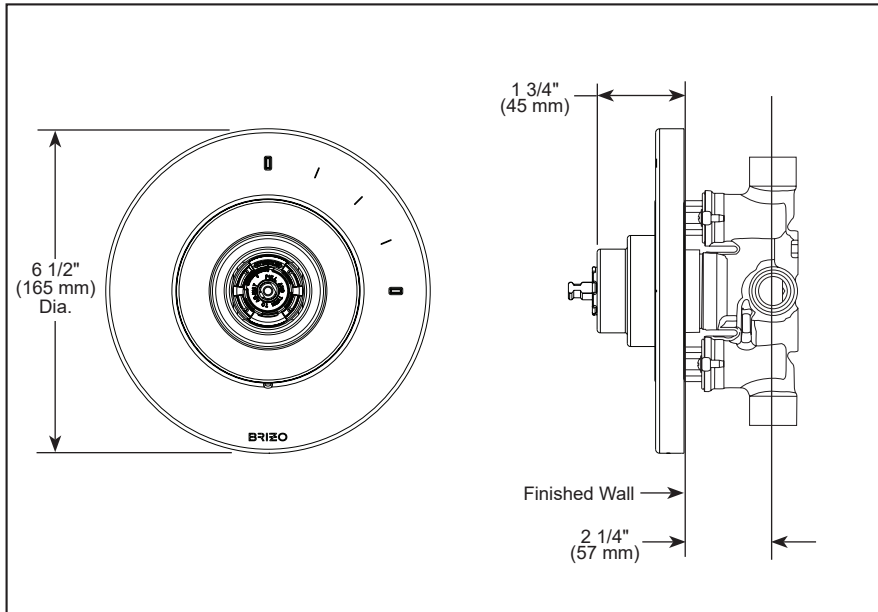
♿ Indicates compliance to ICC/ANSI A117.1 - Valve control only



T60P035-▲LHP

Submitted Model No.: _____

Specific Features: _____



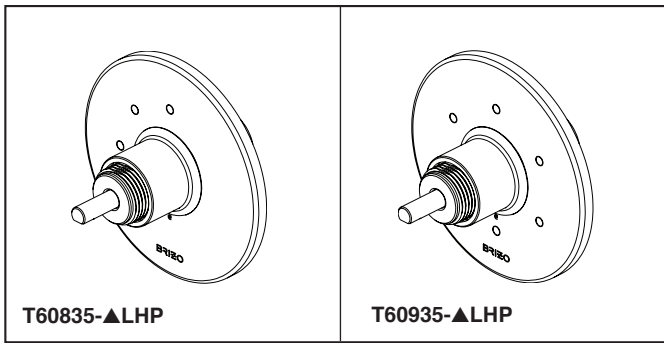
▲ Designate proper finish suffix

Brizo Kitchen & Bath Company reserves the right (1) to make changes in specifications and materials, and (2) to change or discontinue models, both without notice or obligation. Dimensions are for reference only. See current full-line price book or www.brizo.com for finish options and product availability.

BRIZO®

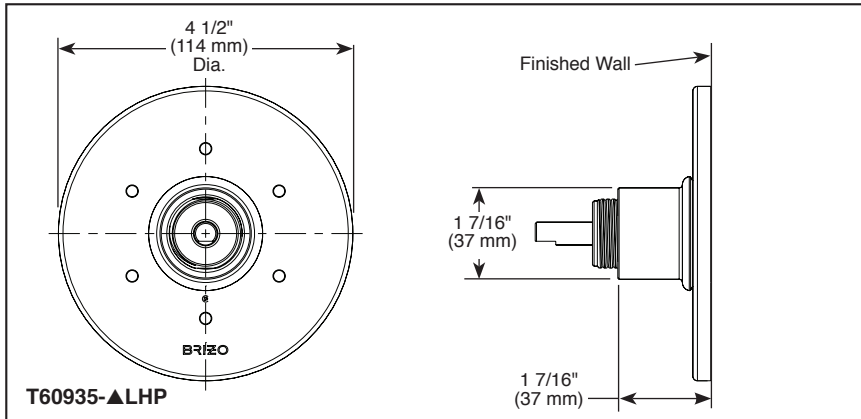
3 & 6-FUNCTION SHOWER DIVERTER

- Litze™ Collection
- Three Function Diverter Trim (T60835-LHP)
- Six Function Diverter Trim (T60935-LHP)



Submitted Model No.: _____

Specific Features: _____




STANDARD SPECIFICATIONS

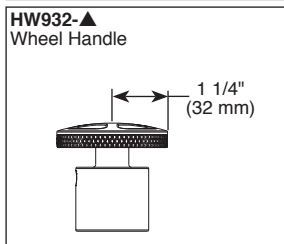
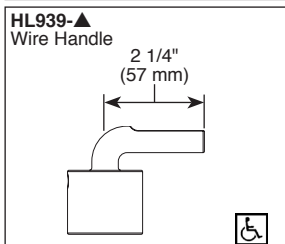
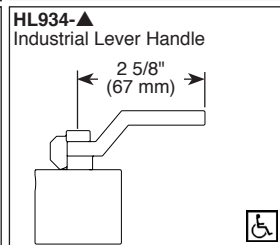
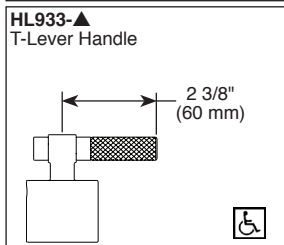
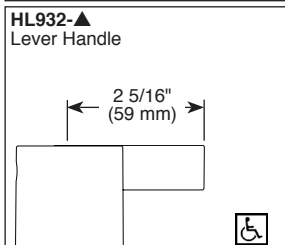
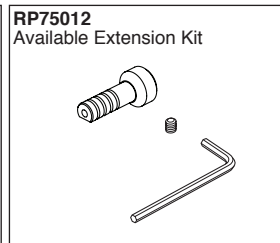
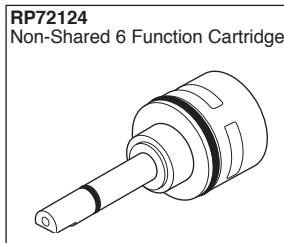
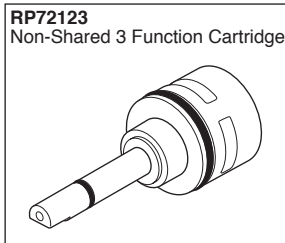
- Three function diverter. 2 individual positions, 1 shared position
- Six function diverter. 3 individual positions, 3 shared positions
- Must also order R60700 rough-in
- Non shared 3 function cartridge RP72123 and 6 function cartridge RP72124 are available
- Rough extension kit (RP75012) available

WARRANTY

- Parts and Finish - Lifetime limited warranty; or for commercial purchasers, 10 years for multi-family residential (apartments and condominiums) and 5 years for all other commercial uses, in each case from the date of purchase.
- Electronic Parts and Batteries (if applicable) - 5 years from the date of purchase; or for commercial purchasers, 1 year from the date of purchase. No warranty is provided on batteries.

COMPLIES WITH:

- ASME A112.18.1 / CSA B125.1
-  Indicates compliance to ICC/ANSI A117.1



▲ Designate finish suffix

Brizo Kitchen & Bath reserves the right (1) to make changes in specifications and materials, and (2) to change or discontinue models, both without notice or obligation. Dimensions are for reference only. See current full-line price book or www.brizo.com for finish options and product availability.

BSP-B-T60835-LHP Rev. C

Brizo Kitchen & Bath Company

55 E. 111th Street, Indianapolis, Indiana 46280
350 South Edgeware Road, St. Thomas, ON N5P 4L1
© 2020 Brizo Kitchen & Bath Company

BRIZO® ON-WALL HAND SHOWER

■ Litze® Bath Collection

FEATURES:

- Single function hand shower featuring H₂Okinetic Technology®

STANDARD SPECIFICATIONS:

- Maximum 1.75 gpm @ 80 psi, 6.6 L/min @ 550 kPa
- Certified dual check valves for backflow prevention
- 60" - 82" (1524 mm - 2083 mm) stretchable finished metal hose
- Wall mount bracket with integrated elbow included
- Multiple spray settings and pause feature - pause is a non-positive shut-off

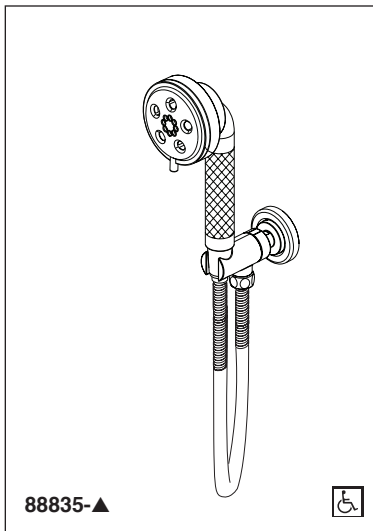
WARRANTY

- Parts and Finish - Lifetime limited warranty; or for commercial purchasers, 10 years for multi-family residential (apartments and condominiums) and 5 years for all other commercial uses, in each case from the date of purchase.
- Electronic Parts and Batteries (if applicable) - 5 years from the date of purchase; or for commercial purchasers, 1 year from the date of purchase. No warranty is provided on batteries.



COMPLIES WITH:

- ASME A112.18.1 / CSA B125.1 ◆
- Indicates compliance to ICC/ANSI A117.1
- EPA WaterSense®

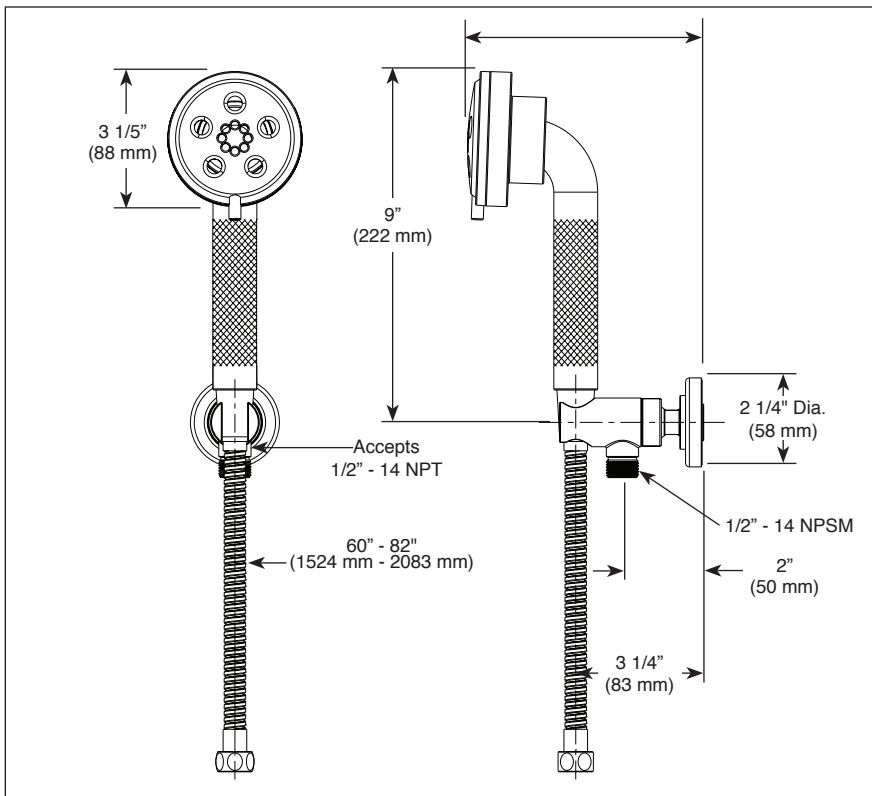


88835-▲



Submitted Model No.: _____

Specific Features: _____

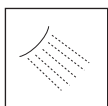


▲ Designate finish suffix

Spray Pattern



H₂Okinetic
Technology®



Massaging
Spray



Pause

- ◆ Your Brizo Faucet hand shower incorporates a backflow protection system that has been tested to be in compliance with ASME A112.18.3. It incorporates two certified check valves in series, which operate independently and are integral, non-serviceable parts of the wand assembly.

Brizo Kitchen & Bath Company reserves the right (1) to make changes in specifications and materials, and (2) to change or discontinue models, both without notice or obligation. Dimensions are for reference only. See current full-line price book or www.brizo.com for finish options and product availability.

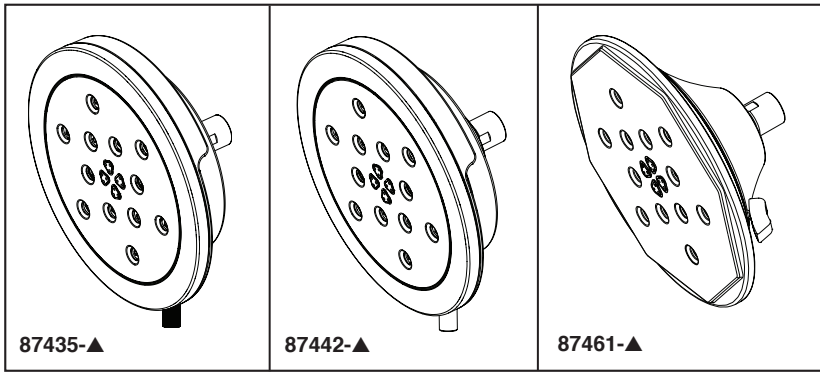
BSP-B-88835 Rev. C

Brizo Kitchen & Bath Company

55 E. 111th Street, Indianapolis, Indiana 46280
350 South Edgeware Road, St. Thomas, ON N5P 4L1
© 2018 Brizo Kitchen & Bath Company

BRIZO®

MULTI-FUNCTION SHOWER HEAD



Submitted Model No.: _____

Specific Features: _____

87435-▲ Litze™ Collection

87442-▲ Atavis™ Collection

87461-▲ Rook™ Collection

▲ Designate finish suffix

FEATURES:

- 4-function shower head featuring H₂Okinetic® Technology

STANDARD SPECIFICATIONS:

- Shower head has 1/2"-14 NPSM female connection
- Maximum 1.75 gpm @ 80 psi, 6.6 L/min @ 550 kPa
- Wrench flats for tightening
- Shower head ball nut pivots, rotates and provides extra thread coverage
- Lever function control

WARRANTY

- Lifetime limited warranty on parts (other than electronic parts and batteries) and finishes: or, for commercial users, for 5 years from date of purchase.
- 5 year limited warranty on electronic parts (other than batteries); or, for commercial users, for 1 year from the date of purchase. No warranty is provided on batteries.



COMPLIES WITH:

- ASME A112.18.1 / CSA B125.1
- EPA WaterSense®

Spray Patterns



H₂Okinetic
Technology®
Full Body



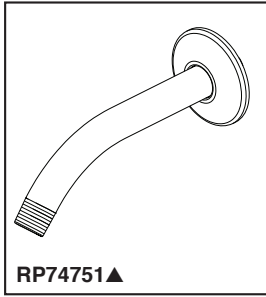
H₂Okinetic
Technology®
Invigorating



Massaging
Spray

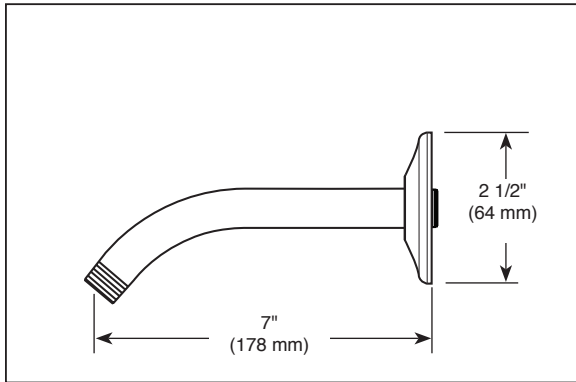


Pause



Submitted Model No.: _____

Specific Features: _____



▲ Designate proper finish suffix

BRIZO®

SHOWER ARM AND FLANGE

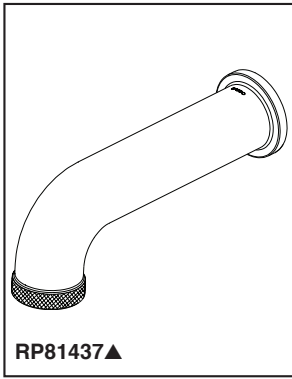
■ Odin™ Bath Collection

STANDARD SPECIFICATIONS:

- Solid brass construction
- 1/2" NPT threads

WARRANTY

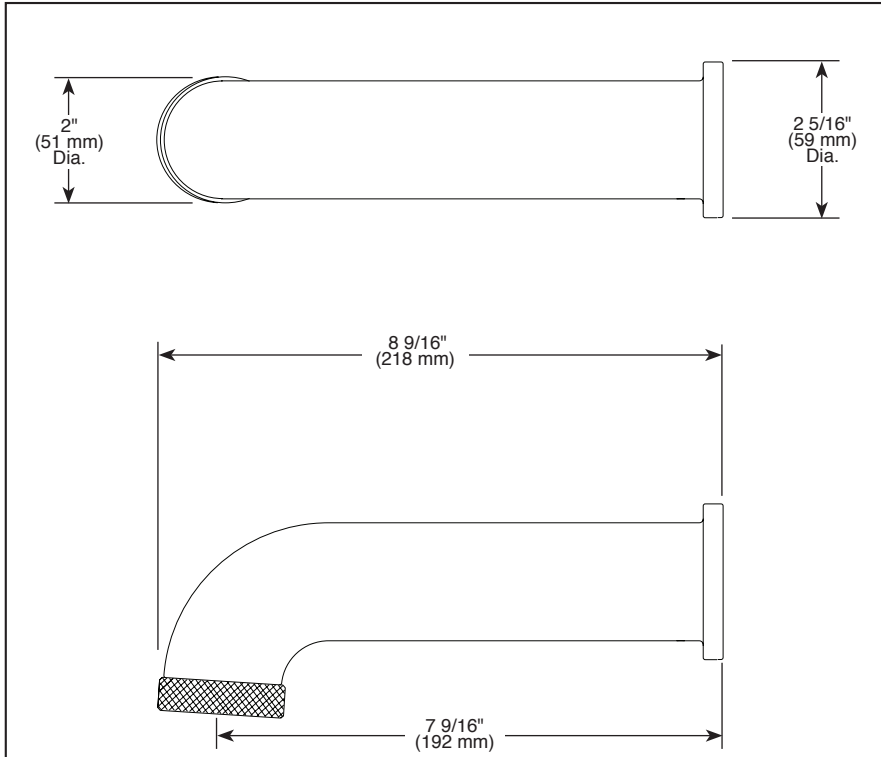
- Lifetime limited warranty on parts (other than electronic parts and batteries) and finishes; or, for commercial users, for 5 years from date of purchase.
- 5 year limited warranty on electronic parts (other than batteries); or, for commercial users, for 1 year from the date of purchase. No warranty is provided on batteries.



RP81437▲

Submitted Model No.: _____

Specific Features: _____



▲ Designate Proper Finish Suffix

BRIZO®

DIVERTER TUB SPOUT

■ Litze™ Bath Collection

STANDARD SPECIFICATIONS:

- Pull-down diverter tub spout with textural knurling detail
- Solid brass construction
- Spout features hidden stream straightener
- Universal adapter included (RP90472) allows for sweat or slip onto 1/2" CWT or thread onto 1/2" NPT

WARRANTY

- Lifetime limited warranty on parts (other than electronic parts and batteries) and finishes: or, for commercial users, for 5 years from date of purchase.
- 5 year limited warranty on electronic parts (other than batteries); or, for commercial users, for 1 year from the date of purchase. No warranty is provided on batteries.

COMPLIES WITH:

- ASME A112.18.1 / CSA B125.1