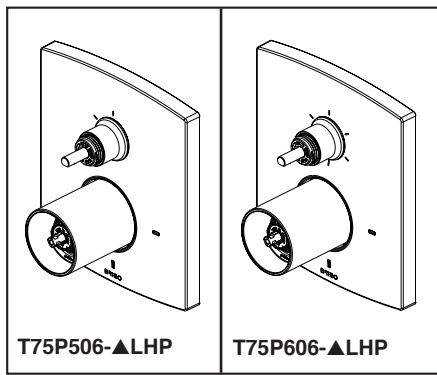


# BRIZO®

## PRESSURE BALANCE VALVE W/ INTEGRATED DIVERTER TRIM

- Kintsu™ & Allaria™ Bath Collections
- MultiChoice® Valve Trim with Three Function Diverter (T75P506-LHP)
- MultiChoice® Valve Trim with Six Function Diverter (T75P606-LHP)



Submitted Model No.: \_\_\_\_\_

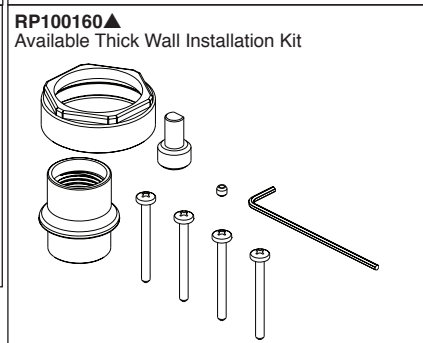
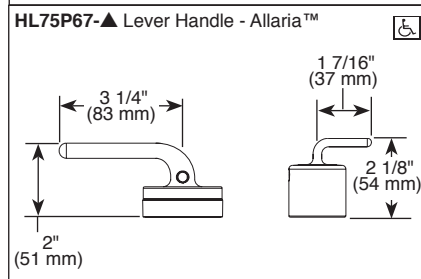
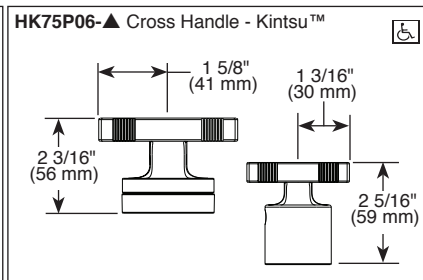
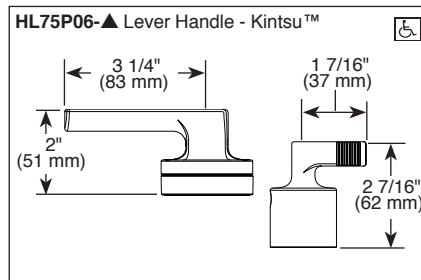
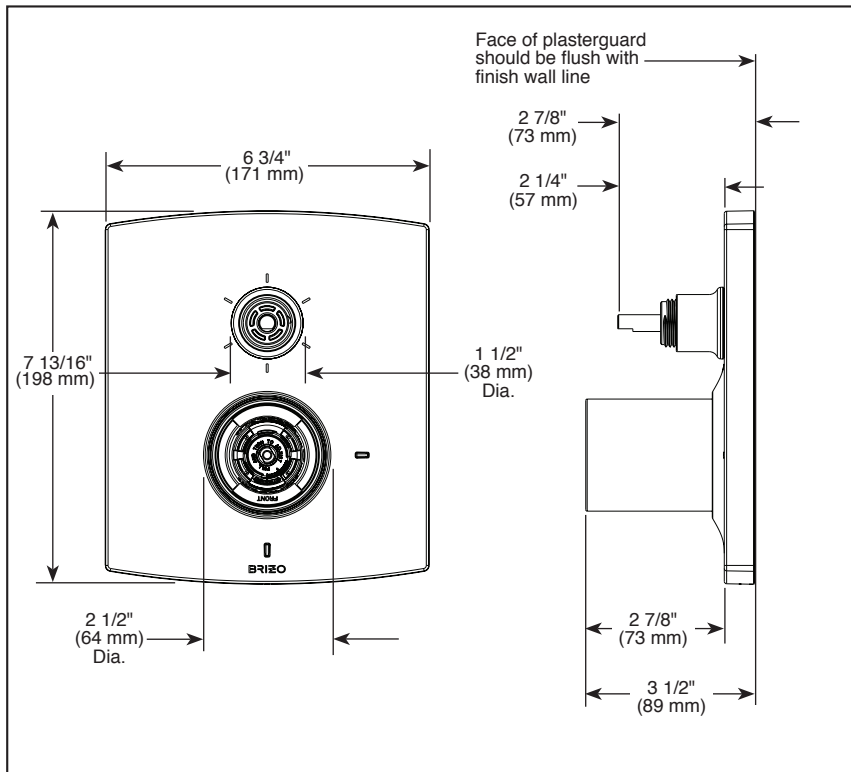
Specific Features: \_\_\_\_\_

### FEATURES:

- Pressure balance valve cartridge

### STANDARD SPECIFICATIONS:

- Maintains a balanced pressure of hot and cold water even when a valve is turned on or off elsewhere in the system
- Back-to-back installation capability
- For use with MultiChoice® Universal Integrated Shower Diverter Rough (R75000 Series)
- Max. system flow rate 5.0 gpm at 60 psi with R75000
- Top handle controls diverter functions
- Bottom handle controls on/off and temperature
- Field adjustable to limit handle rotation into hot water zone
- Bottom handle 120° maximum rotation
- Red/Blue temperature indicator markings
- Three function diverter (T75P506-▲LHP) has 2 individual positions and 1 shared position
- For two individual functions, no shared functions, order additional RP72123
- Six function diverter (T75P606-▲LHP) has 3 individual positions and 3 shared positions
- For three individual functions, no shared functions, order additional RP72124
- 1/2" rough-in
- Cartridges included
- Standard installation allows up to 1 1/8" finished wall thickness
- Thick wall installation kit RP100160▲ can be ordered to allow for up to 2 1/8" finished wall thickness
- Handles sold separately



▲ Designate Proper Finish Suffix

### WARRANTY

- Parts and Finish - Lifetime limited warranty; or for commercial purchasers, 10 years for multi-family residential (apartments and condominiums) and 5 years for all other commercial uses, in each case from the date of purchase.
- Electronic Parts and Batteries (if applicable) - 5 years from the date of purchase; or for commercial purchasers, 1 year from the date of purchase. No warranty is provided on batteries.

### COMPLIES WITH:

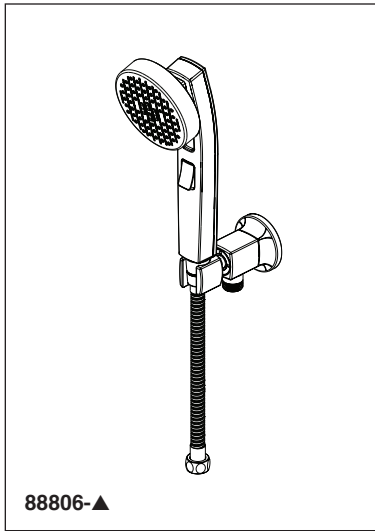
- ASME A112.18.1 / CSA B125.1
-  Indicates compliance to ICC/ANSI A117.1

Brizo Kitchen & Bath Company reserves the right (1) to make changes in specifications and materials, and (2) to change or discontinue models, both without notice or obligation. Dimensions are for reference only. See current full-line price book or www.brizo.com for finish options and product availability.

BSP-B-T75P506-LHP Rev. B

**Brizo Kitchen & Bath Company**

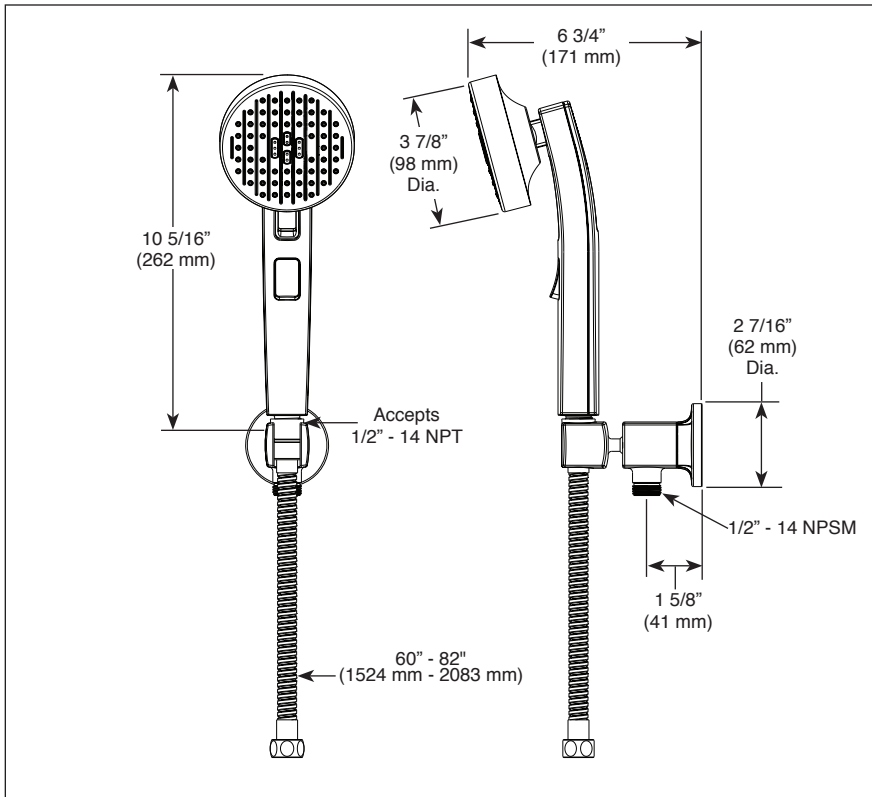
55 E. 111th Street, Indianapolis, IN 46280  
350 South Edgeware Road, St. Thomas, ON N5P 4L1  
© 2021 Brizo Kitchen & Bath Company



88806-▲

Submitted Model No.: \_\_\_\_\_

Specific Features: \_\_\_\_\_



▲ Designate proper finish suffix

**Spray Patterns**



Shampoo Rinsing Spray



Full Body Spray w/Shampoo Rinsing



Full Body Spray



Pause

Brizo Kitchen & Bath Company reserves the right (1) to make changes in specifications and materials, and (2) to change or discontinue models, both without notice or obligation. Dimensions are for reference only. See current full-line price book or [www.brizo.com](http://www.brizo.com) for finish options and product availability.

BSP-B-88806Rev. A

# BRIZO®

## ON-WALL HANDSHOWER

■ Kintsu™ Collection

**STANDARD SPECIFICATIONS:**

- Max flow rate 1.75 gpm @ 80 psi, 6.6 L/min @ 550 kPa
- Wall mount bracket includes integrated elbow for hose connection
- Certified dual check valves for backflow prevention
- 60-82" (1524 mm-2083 mm) stretchable finished metal hose
- Multiple spray settings and pause feature - pause is a non-positive shut-off
- ADA compliant hand shower and hose when installed per accessibility guidelines of act

**WARRANTY**

- Parts and Finish - Lifetime limited warranty; or for commercial purchasers, 10 years for multi-family residential (apartments and condominiums) and 5 years for all other commercial uses, in each case from the date of purchase.
- Electronic Parts and Batteries (if applicable) - 5 years from the date of purchase; or for commercial purchasers, 1 year from the date of purchase. No warranty is provided on batteries.



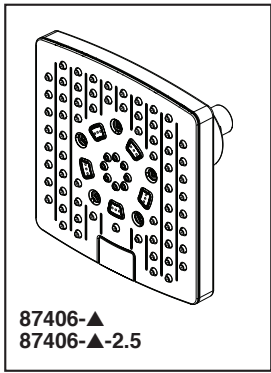
**COMPLIES WITH:**

- ASME A112.18.1 / CSA B125.1 ◆
- ♿ Indicates compliance to ICC/ANSI A117.1
- EPA WaterSense®

- ◆ Your Brizo handshower incorporates a backflow protection system that has been tested to be in compliance with ASME A112.18.3 and ASME A112.18.1/CSA B125.1. It incorporates two certified check valves in series, which operate independently and are integral, non-serviceable parts of the wand assembly.

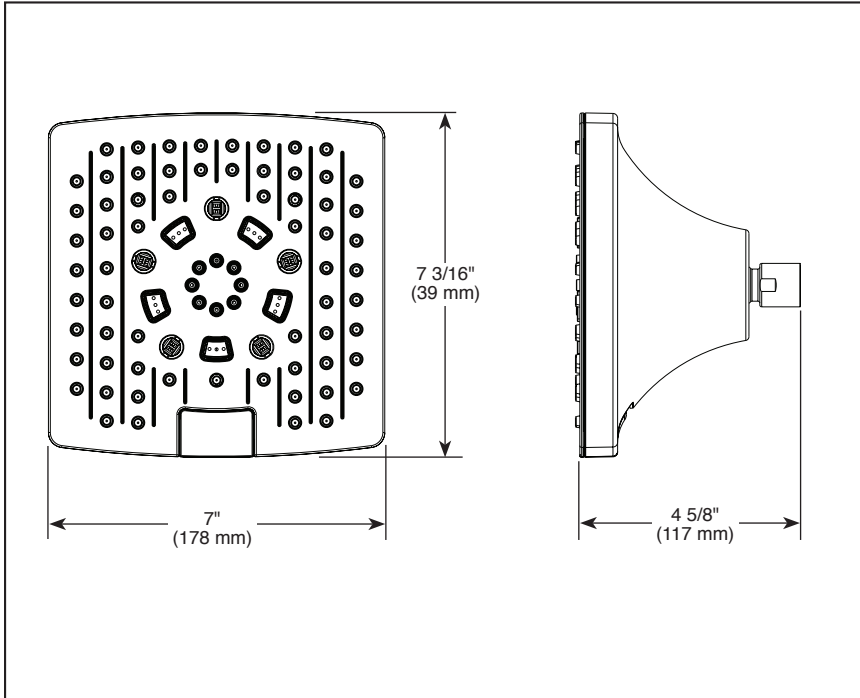
**Brizo Kitchen & Bath Company**

55 E. 111th Street, Indianapolis, IN 46280  
 350 South Edgeware Road, St. Thomas, ON N5P 4L1  
 © 2020 Brizo Kitchen & Bath Company



Submitted Model No.: \_\_\_\_\_

Specific Features: \_\_\_\_\_



▲ Designate finish suffix

# BRIZO®

## MULTI-FUNCTION SHOWERHEAD

- Kintsu™ Bath Collection
- 5-Function Showerhead Featuring H<sub>2</sub>Okinetic® Technology

### FEATURES:

- Touch-Clean® Nozzles
- H<sub>2</sub>Okinetic® Technology

### STANDARD SPECIFICATIONS:

- Max flow rate 1.75 gpm @ 80 psi, 6.6 L/min @ 550 kPa (87406)
- Max flow rate 2.5 gpm @ 80 psi, 9.5 L/min @ 550 kPa (87406-2.5)
- Showerhead has 1/2"-14 NPSM female connection
- Wrench flats for tightening
- Showerhead ball nut pivots, rotates and provides extra thread coverage
- Push button for spray selection
- Finished spray face matches shell finish
- Spray patterns: H<sub>2</sub>Okinetic® Rinsing Spray, Full Spray, Massage Spray, Shampoo Spray, and Full Spray w/Shampoo Spray.

### WARRANTY

- Parts and Finish - Lifetime limited warranty; or for commercial purchasers, 10 years for multi-family residential (apartments and condominiums) and 5 years for all other commercial uses, in each case from the date of purchase.
- Electronic Parts and Batteries (if applicable) - 5 years from the date of purchase; or for commercial purchasers, 1 year from the date of purchase. No warranty is provided on batteries.



### COMPLIES WITH:

- ASME A112.18.1 / CSA B125.1
- EPA WaterSense® - Applies to 87406 only

# BRIZO®

## SHOWER ARM AND FLANGE

■ Kintsu™ Collection

### STANDARD SPECIFICATIONS:

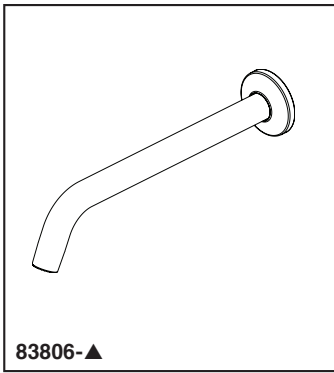
- 1/2" NPT threads
- Solid brass construction

### WARRANTY

- Parts and Finish - Lifetime limited warranty; or for commercial purchasers, 10 years for multi-family residential (apartments and condominiums) and 5 years for all other commercial uses, in each case from the date of purchase.
- Electronic Parts and Batteries (if applicable) - 5 years from the date of purchase; or for commercial purchasers, 1 year from the date of purchase. No warranty is provided on batteries.

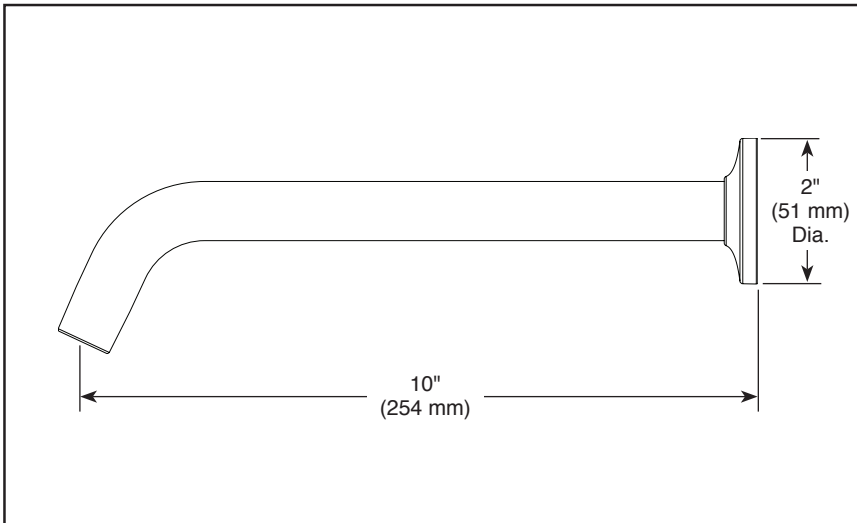
### COMPLIES WITH:

- ASME A112.18.1 / CSA B125.1



Submitted Model No.: \_\_\_\_\_

Specific Features: \_\_\_\_\_



▲ Designate proper finish suffix