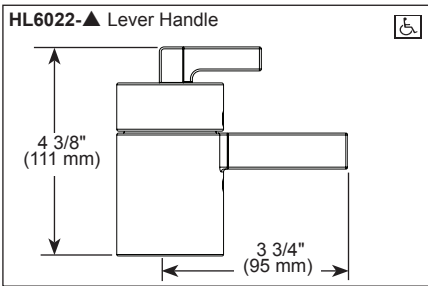
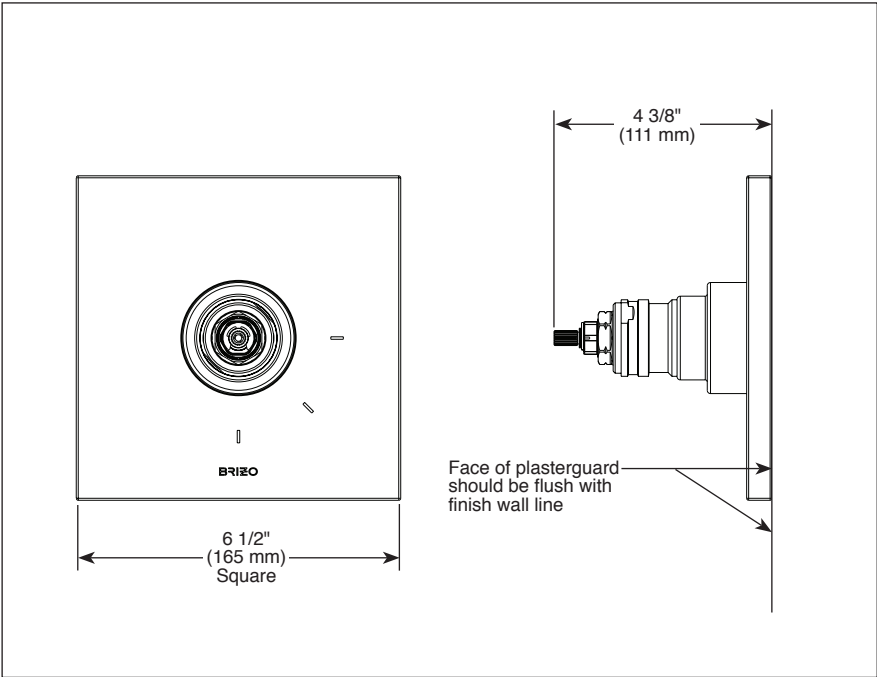
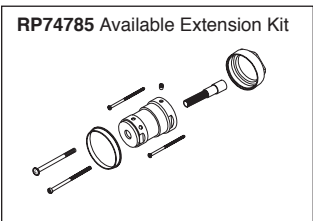


Submitted Model No.: _____

Specific Features: _____



▲ Designate proper finish suffix



BRIZO®

THERMOSTATIC VALVE TRIM

- Frank Lloyd Wright® Bath Collection by Brizo®
- TempAssure® Thermostatic
- Valve Only

FEATURES:

- TempAssure® thermostatic valve cartridge

STANDARD SPECIFICATIONS:

- Thermostatic wax element maintains the outlet temperature to ±3.6°F
- Must also order MultiChoice® Universal rough valve body (R60000 Series)
- Back-to-back installation capability
- Bottom (2) handles control on/off and temperature
- Graphics indicate hot/cold temperature adjustment
- Field adjustable to limit handle rotation into hot water zone
- All parts replaceable from the front of the valve
- Adjusts for up to 1" wall thickness. Optional extension kit (RP74785) extends rough installation up to 1 3/4"

WARRANTY

- Parts and Finish - Lifetime limited warranty; or for commercial purchasers, 10 years for multi-family residential (apartments and condominiums) and 5 years for all other commercial uses, in each case from the date of purchase.
- Electronic Parts and Batteries (if applicable) - 5 years from the date of purchase; or for commercial purchasers, 1 year from the date of purchase. No warranty is provided on batteries.

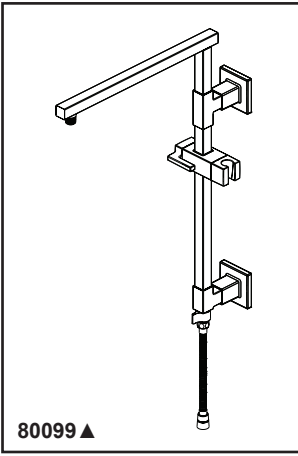
COMPLIES WITH:

- ASME A112.18.1 / CSA B125.1
- ASSE 1016
- Indicates compliance to ICC/ANSI A117.1

BRIZO®

SHOWER COLUMN

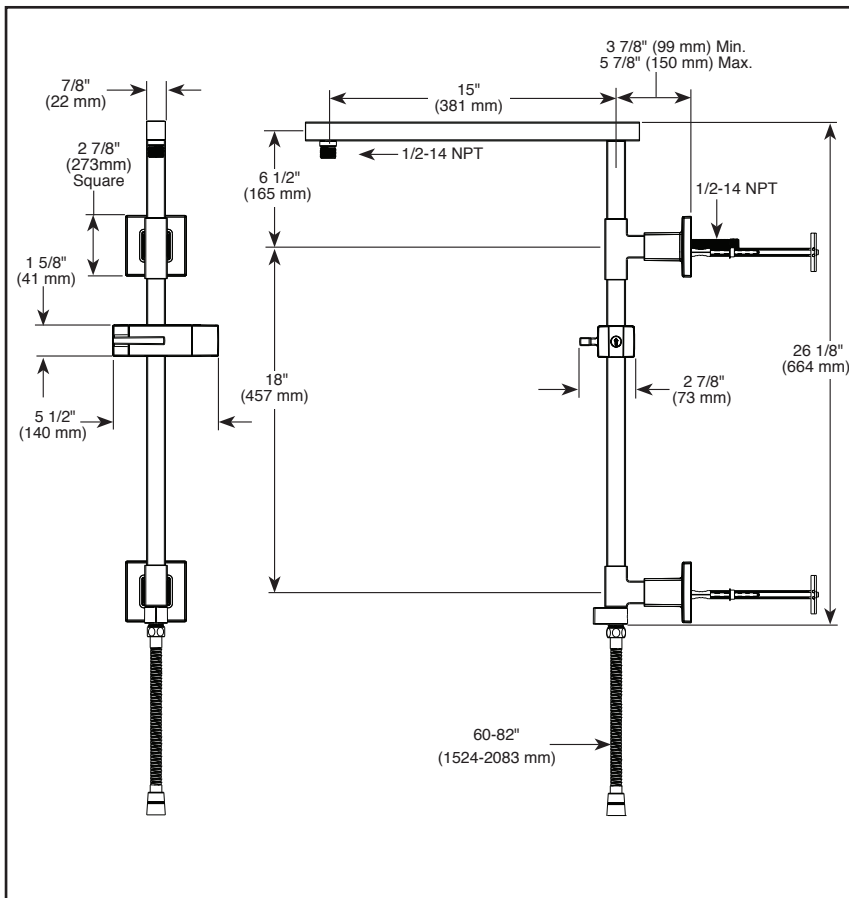
■ Less Handshower and Showerhead



80099▲

Submitted Model No.: _____

Specific Features: _____



▲ Designate proper finish suffix

STANDARD SPECIFICATIONS

- 18" Euro Square Shower Column. All metal construction.
- 15" overhead shower arm
- 6 1/2" of height above water inlet
- Optional RP100923▲ provides 6" of additional overhead shower arm height
- 60" - 82" stretchable metal hose
- Integrated hose supply, no need for separate wall elbow
- Sliding metal handshower mount easily adjusts the height and angle of the handshower
- 3-function diverter at the base of the column allows for single or shared operation of the showerhead and handshower
- Showerhead and handshower sold separately to allow for customization
- If needed, column can retrofit into an existing shower arm without requiring modification to the in-wall plumbing
- Shower column should not to be used as a grab bar
- Extension Kit & Lower Flow Rate Options:
 - Optional RP100922 extension kit extends rough installation up to 1".
 - Optional RP101264 limits flow of single and shared operation to 1.75 gpm @ 80 psi, 6.6 L/min @ 550 kPa
 - Optional RP101265 extension kit extends rough installation up to 1" AND limits flow of single and shared operation to 1.75 gpm @ 80 psi, 6.6 L/min @ 550 kPa

WARRANTY

- Parts and Finish - Lifetime limited warranty; or for commercial purchasers, 10 years for multi-family residential (apartments and condominiums) and 5 years for all other commercial uses, in each case from the date of purchase.
- Electronic Parts and Batteries (if applicable) - 5 years from the date of purchase; or for commercial purchasers, 1 year from the date of purchase. No warranty is provided on batteries.

COMPLIES WITH:

- ASME A112.18.1 / CSA B125.1

Extension Kit & Lower Flow Rate Options:

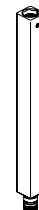
- RP100922 - 1" extension kit
- RP101264 - Limits flow to 1.75 gpm
- RP101265 - 1" extension kit & limits flow to 1.75 gpm



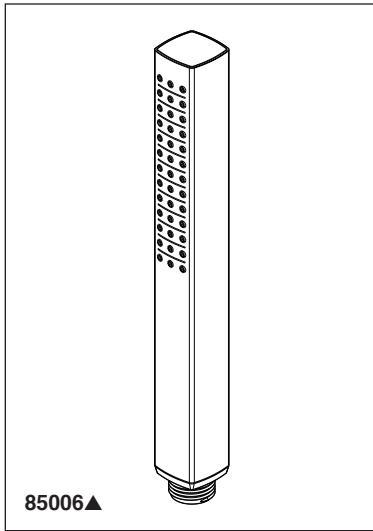
6" Shower Column Extension Option:

If extension is required, use only one per shower column

RP100923▲



Brizo Kitchen & Bath Company reserves the right (1) to make changes in specifications and materials, and (2) to change or discontinue models, both without notice or obligation. Dimensions are for reference only. See current full-line price book or www.brizo.com for finish options and product availability.



BRIZO® HANDSHOWER

■ Kintsu™ Collection

STANDARD SPECIFICATIONS:

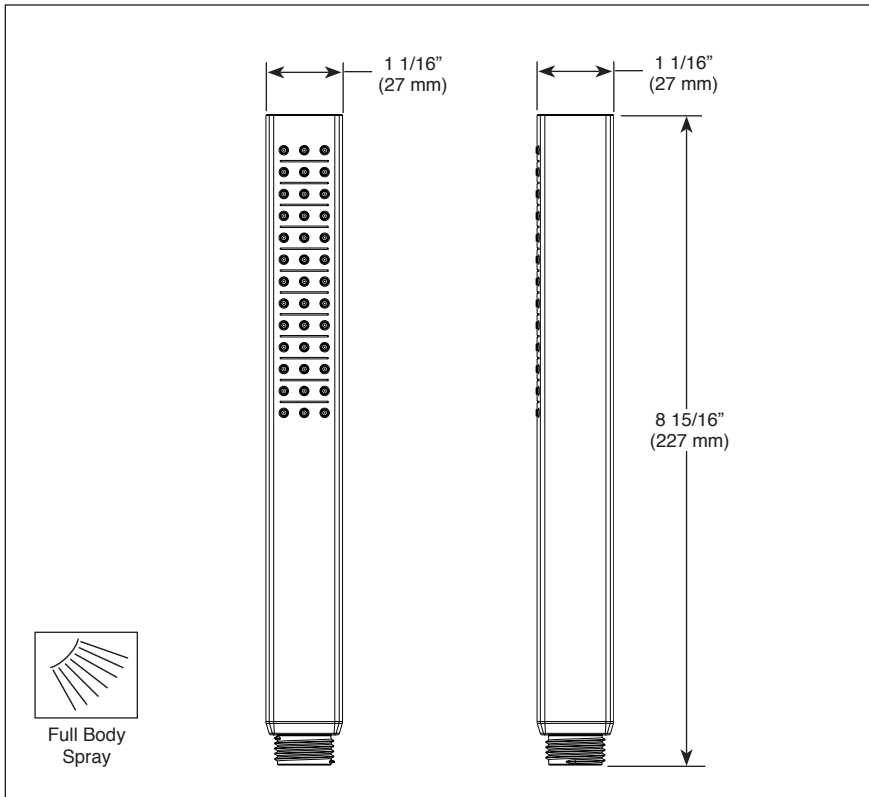
- Max flow rate 1.75 gpm @ 80 psi, 6.6 L/min @ 550 kPa
- Single function handshower
- Certified dual check valves for backflow prevention

WARRANTY

- Parts and Finish - Lifetime limited warranty; or for commercial purchasers, 10 years for multi-family residential (apartments and condominiums) and 5 years for all other commercial uses, in each case from the date of purchase.
- Electronic Parts and Batteries (if applicable) - 5 years from the date of purchase; or for commercial purchasers, 1 year from the date of purchase. No warranty is provided on batteries.

Submitted Model No.: _____

Specific Features: _____



▲ Designate proper finish suffix



COMPLIES WITH:

- ASME A112.18.1 / CSA B125.1 ◆
- EPA WaterSense®

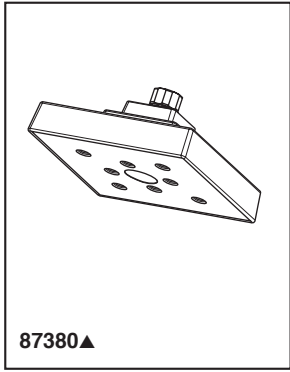
- ◆ Your Brizo handshower incorporates a backflow protection system that has been tested to be in compliance with ASME A112.18.3 and ASME A112.18.1/CSA B125.1. It incorporates two certified check valves in series, which operate independently and are integral, non-serviceable parts of the wand assembly.

Brizo Kitchen & Bath Company reserves the right (1) to make changes in specifications and materials, and (2) to change or discontinue models, both without notice or obligation. Dimensions are for reference only. See current full-line price book or www.brizo.com for finish options and product availability.

BSP-B-85006Rev. A

Brizo Kitchen & Bath Company

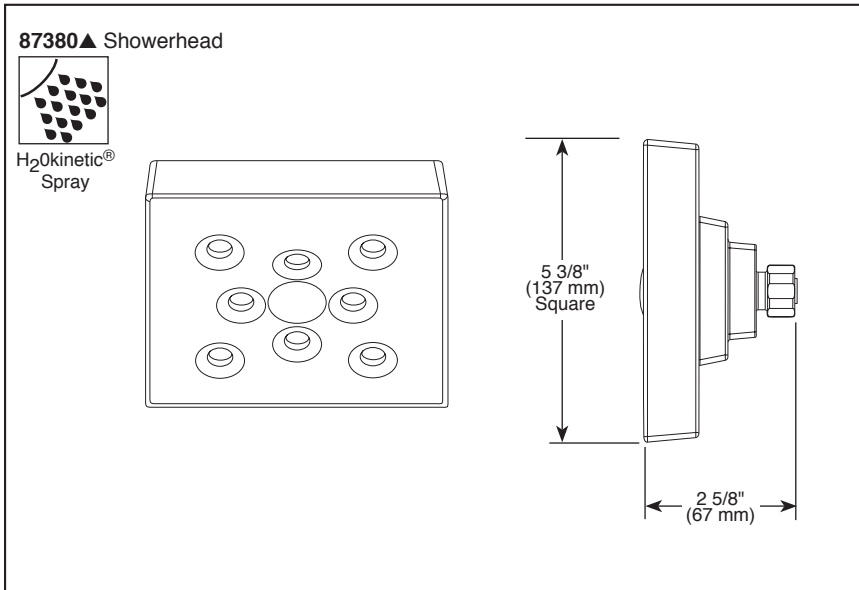
55 E. 111th Street, Indianapolis, IN 46280
350 South Edgeware Road, St. Thomas, ON N5P 4L1
© 2020 Brizo Kitchen & Bath Company



87380▲

Submitted Model No.: _____

Specific Features: _____



▲ Designate proper finish suffix

BRIZO®

SHOWERHEAD

■ Siderna® Bath Collection

FEATURES:

- H₂O Kinetic Technology® single function showerhead

STANDARD SPECIFICATIONS:

- Max. 1.75 gpm @ 80 psi, 6.6 L/min @ 550 kPa
- Finished sprayface matches shell finish
- Showerhead has 1/2"-14 NPSM female connection
- Wrench flats for tightening
- Showerhead ball nut pivots and rotates

WARRANTY

- Lifetime limited warranty on parts (other than electronic parts and batteries) and finishes: or, for commercial users, for 5 years from date of purchase.
- 5 year limited warranty on electronic parts (other than batteries); or, for commercial users, for 1 year from the date of purchase. No warranty is provided on batteries.



COMPLIES WITH:

- ASME A112.18.1 / CSA B125.1
- EPA WaterSense®