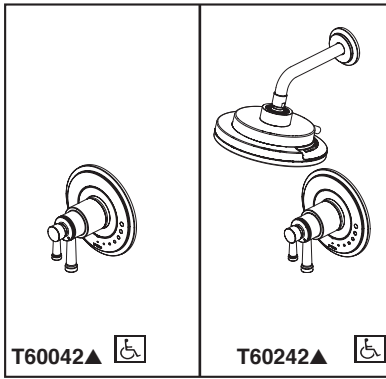


BRIZO®

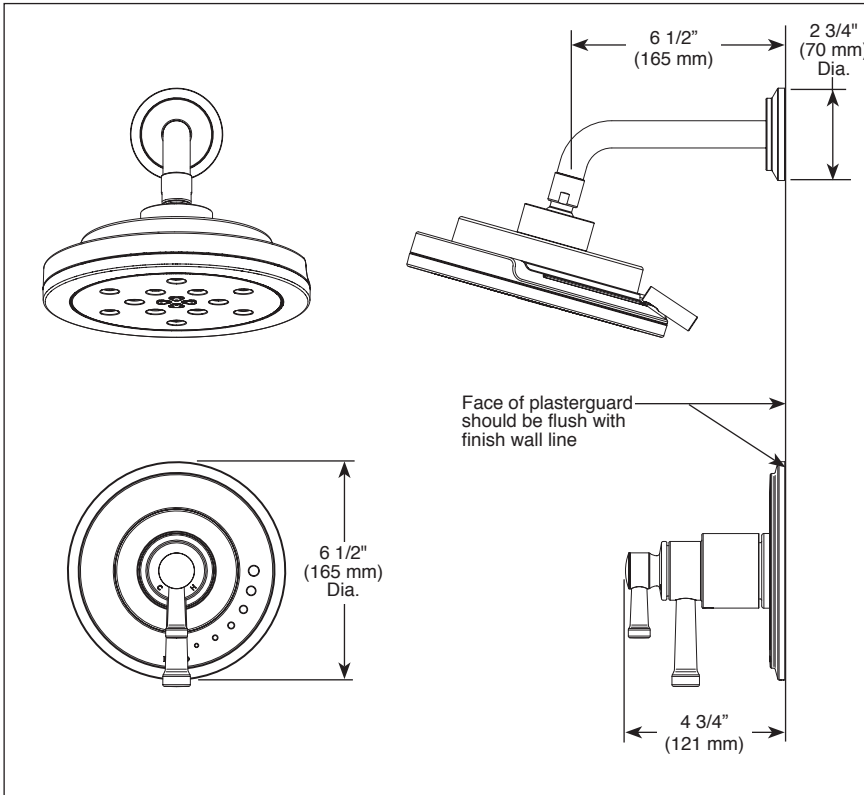
TUB AND SHOWER FAUCET TRIM

- Atavis™ Bath Collection
- TempAssure® Thermostatic
- Valve Only (T60042)
- Shower Only (T60242)



Submitted Model No.: _____

Specific Features: _____



FEATURES:

- TempAssure® thermostatic valve cartridge
- Multi-function shower head featuring H₂Okinetic Technology

STANDARD SPECIFICATIONS:

- Multi-function shower head featuring H₂Okinetic Technology; 1.75 gpm @ 80 psi, 6.6 L/min @ 552 kPa
- Maximum system flow rate 9.4 gpm @ 60 psi with R60000-UNBXHF
- Thermostatic wax element maintains the outlet temperature to ±3.6°F
- Must also order MultiChoice® Universal rough valve body (R60000 Series)
- Back-to-back installation capability
- Bottom (2) handles control on/off and temperature
- Graphics indicate hot/cold temperature adjustment
- Field adjustable to limit handle rotation into hot water zone
- All parts replaceable from the front of the valve
- Adjusts for up to 1" wall thickness. Optional extension kit (RP74785) extends rough installation up to 1 3/4"

WARRANTY

- Lifetime limited warranty on parts (other than electronic parts and batteries) and finishes: or, for commercial users, for 5 years from date of purchase.
- 5 year limited warranty on electronic parts (other than batteries); or, for commercial users, for 1 year from the date of purchase. No warranty is provided on batteries.

87442▲ Shower Head

H₂Okinetic Technology® Full Body

H₂Okinetic Technology® Invigorating

Massaging Spray

Pause

RP74785 Available Extension Kit



COMPLIES WITH:

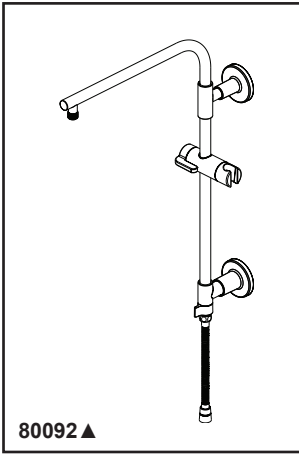
- ASME A112.18.1 / CSA B125.1
- Indicates compliance to ICC/ANSI A117.1 - Valve control only
- EPA WaterSense®

▲ Designate proper finish suffix

BRIZO®

SHOWER COLUMN

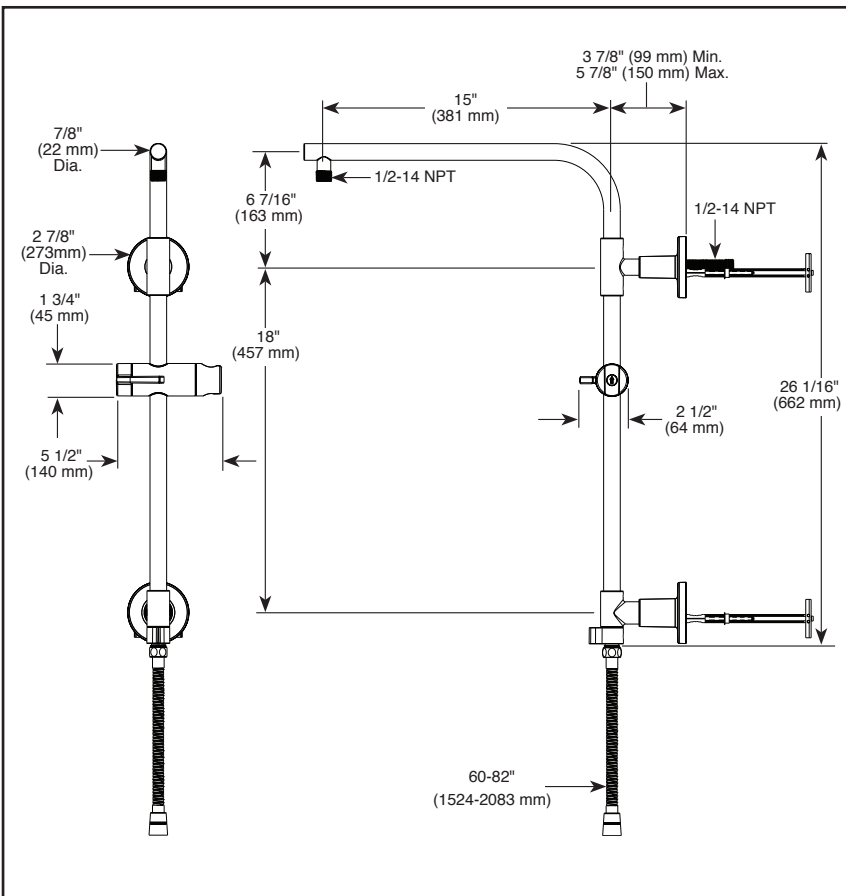
■ Less Handshower and Showerhead



80092 ▲

Submitted Model No.: _____

Specific Features: _____



▲ Designate proper finish suffix

STANDARD SPECIFICATIONS

- 18" Euro Round Shower Column. All metal construction.
- 15" overhead shower arm
- 6 7/16" of height above water inlet
- Optional RP100924 ▲ provides 6" of additional overhead shower arm height
- 60" - 82" stretchable metal hose
- Integrated hose supply, no need for separate wall elbow
- Sliding metal handshower mount easily adjusts the height and angle of the handshower
- 3-function diverter at the base of the column allows for single or shared operation of the showerhead and handshower
- Showerhead and handshower sold separately to allow for customization
- If needed, column can retrofit into an existing shower arm without requiring modification to the in-wall plumbing
- Shower column should not be used as a grab bar
- Extension Kit & Lower Flow Rate Options:
 - Optional RP100922 extension kit extends rough installation up to 1".
 - Optional RP101264 limits flow of single and shared operation to 1.75 gpm @ 80 psi, 6.6 L/min @ 550 kPa
 - Optional RP101265 extension kit extends rough installation up to 1" AND limits flow of single and shared operation to 1.75 gpm @ 80 psi, 6.6 L/min @ 550 kPa

WARRANTY

- Parts and Finish - Lifetime limited warranty; or for commercial purchasers, 10 years for multi-family residential (apartments and condominiums) and 5 years for all other commercial uses, in each case from the date of purchase.
- Electronic Parts and Batteries (if applicable) - 5 years from the date of purchase; or for commercial purchasers, 1 year from the date of purchase. No warranty is provided on batteries.

COMPLIES WITH:

- ASME A112.18.1 / CSA B125.1

Extension Kit & Lower Flow Rate Options:

- RP100922 - 1" extension kit
- RP101264 - Limits flow to 1.75 gpm
- RP101265 - 1" extension kit & limits flow to 1.75 gpm



6" Shower Column Extension Option:

If extension is required, use only one per shower column

RP100924 ▲



Brizo Kitchen & Bath Company reserves the right (1) to make changes in specifications and materials, and (2) to change or discontinue models, both without notice or obligation. Dimensions are for reference only. See current full-line price book or www.brizo.com for finish options and product availability.

BSP-B-80092 Rev. B

Brizo Kitchen & Bath Company

55 E. 111th Street, Indianapolis, IN 46280
 350 South Edgeware Road, St. Thomas, ON N5P 4L1
 © 2020 Brizo Kitchen & Bath Company

BRIZO®

HAND SHOWER

■ Rook® Bath Collection

FEATURES:

- Multi function hand shower featuring H₂Okinetic Technology®

STANDARD SPECIFICATIONS:

- Maximum 1.75 gpm @ 80 psi, 6.6 L/min @ 550 kPa
- Certified dual check valves for backflow prevention
- Multiple spray settings and pause feature - pause is a non-positive shut-off
- ADA Compliant Hand Shower when installed per accessibility guidelines of the Act.

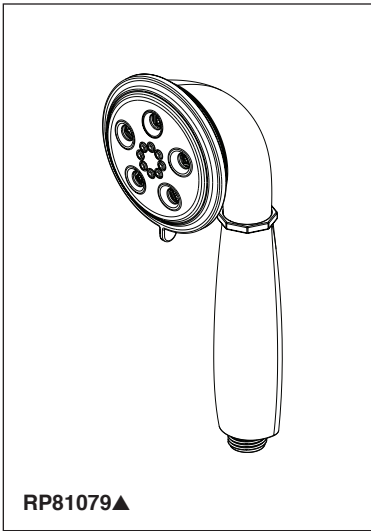
WARRANTY

- Parts and Finish - Lifetime limited warranty; or for commercial purchasers, 10 years for multi-family residential (apartments and condominiums) and 5 years for all other commercial uses, in each case from the date of purchase.
- Electronic Parts and Batteries (if applicable) - 5 years from the date of purchase; or for commercial purchasers, 1 year from the date of purchase. No warranty is provided on batteries.



COMPLIES WITH:

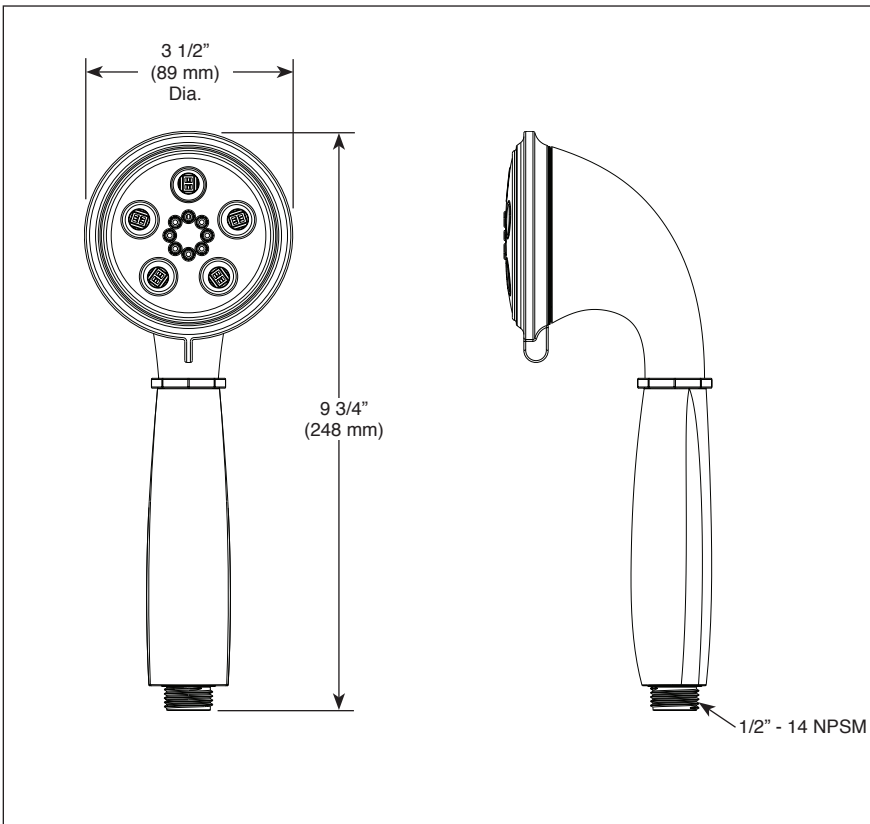
- ASME A112.18.1 / CSA B125.1 ◆
- ◆ Indicates compliance to ICC/ANSI A117.1
- EPA WaterSense®



RP81079▲

Submitted Model No.: _____

Specific Features: _____



▲ Designate proper finish suffix

Spray Pattern



- ◆ Your Brizo Faucet hand shower incorporates a backflow protection system that has been tested to be in compliance with ASME A112.18.3. It incorporates two certified check valves in series, which operate independently and are integral, non-serviceable parts of the wand assembly.

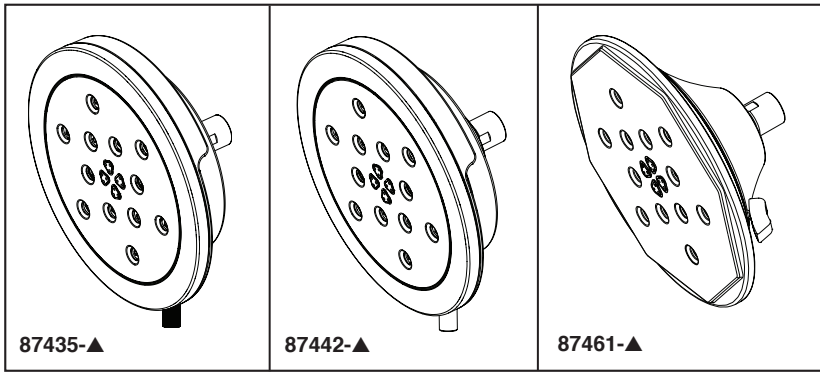
Brizo Kitchen & Bath Company reserves the right (1) to make changes in specifications and materials, and (2) to change or discontinue models, both without notice or obligation. Dimensions are for reference only. See current full-line price book or www.brizo.com for finish options and product availability.

BSP-B-RP81079 Rev. A

Brizo Kitchen & Bath Company
 55 E. 111th Street, Indianapolis, IN 46280
 350 South Edgeware Road, St. Thomas, ON N5P 4L1
 © 2020 Brizo Kitchen & Bath Company

BRIZO®

MULTI-FUNCTION SHOWER HEAD



Submitted Model No.: _____

Specific Features: _____

87435-▲ Litze™ Collection

87442-▲ Atavis™ Collection

87461-▲ Rook™ Collection

▲ Designate finish suffix

FEATURES:

- 4-function shower head featuring H₂Okinetic® Technology

STANDARD SPECIFICATIONS:

- Shower head has 1/2"-14 NPSM female connection
- Maximum 1.75 gpm @ 80 psi, 6.6 L/min @ 550 kPa
- Wrench flats for tightening
- Shower head ball nut pivots, rotates and provides extra thread coverage
- Lever function control

WARRANTY

- Lifetime limited warranty on parts (other than electronic parts and batteries) and finishes: or, for commercial users, for 5 years from date of purchase.
- 5 year limited warranty on electronic parts (other than batteries); or, for commercial users, for 1 year from the date of purchase. No warranty is provided on batteries.



COMPLIES WITH:

- ASME A112.18.1 / CSA B125.1
- EPA WaterSense®

Spray Patterns



H₂Okinetic
Technology®
Full Body



H₂Okinetic
Technology®
Invigorating



Massaging
Spray



Pause