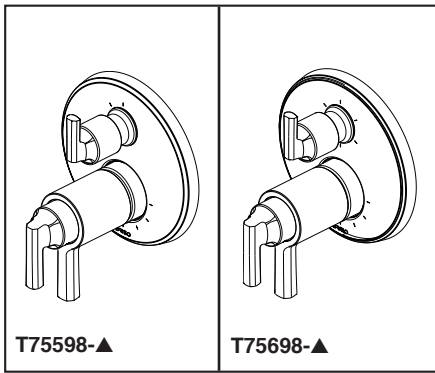


BRIZO®

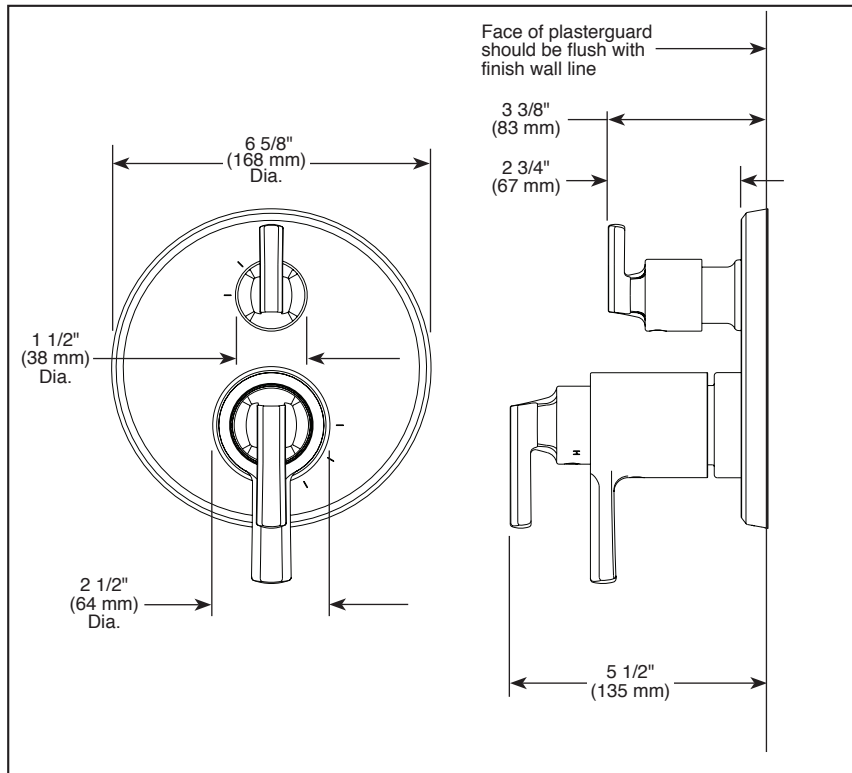
INTEGRATED SHOWER DIVERTER TRIM

- Levoir™ Bath Collection
- MultiChoice® Valve Trim with Three Function Diverter (T75598)
- MultiChoice® Valve Trim with Six Function Diverter (T75698)



Submitted Model No.: _____

Specific Features: _____



FEATURES:

- TempAssure® thermostatic valve cartridge

STANDARD SPECIFICATIONS:

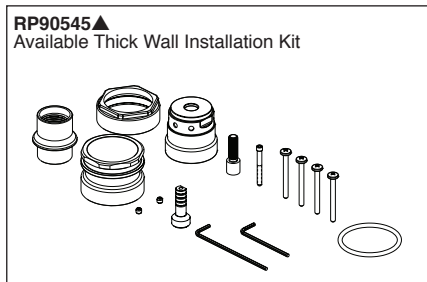
- Main control utilizes thermostatic valve cartridge.
- Thermostatic wax element maintains the outlet temperature to $\pm 3.6^\circ\text{F}$.
- Back-to-back installation capability
- For use with MultiChoice® Universal Integrated Shower Diverter Rough (R75000 Series)
- Max. system flow rate 7.2 gpm @ 60 psi with R75000
- Top handle controls diverter functions.
- Bottom (2) handles control on/off and temperature.
- Field adjustable to limit handle rotation into hot water zone.
- Bottom handle 90° Maximum rotation.
- Hot/cold indicator markings.
- Three function diverter (T75598-▲) has 2 individual positions and 1 shared position.
- For two individual functions, no shared functions, order additional RP72123.
- Six function diverter (T75698-▲) has 3 individual positions and 3 shared positions.
- For three individual functions, no shared functions, order additional RP72124.
- $1/2$ " rough-in.
- Cartridges included.
- Standard installation allows up to $1 1/8$ " finished wall thickness.
- Thick wall installation kit RP90545▲ can be ordered to allow for up to $2 1/8$ " finished wall thickness.

WARRANTY

- Lifetime limited warranty on parts (other than electronic parts and batteries) and finishes: or, for commercial users, for 5 years from date of purchase.
- 5 year limited warranty on electronic parts (other than batteries); or, for commercial users, for 1 year from the date of purchase. No warranty is provided on batteries.

COMPLIES WITH:

- ASME A112.18.1 / CSA B125.1
-  Indicates compliance to ICC/ANSI A117.1 - Valve control only



▲ Designate Proper Finish Suffix

BRIZO®

RAINCAN SHOWERHEAD

■ Single-Function Round Raincan Showerhead

FEATURES:

- Touch-Clean® Nozzles

STANDARD SPECIFICATIONS:

- Maximum 1.75 gpm @ 80 psi, 6.6 L/min @ 550 kPa (81392▲)
- Maximum 2.5 gpm @ 80 psi, 9.5 L/min @ 550 kPa (81392▲-2.5)
- Standard 1/2" pipe fittings. Wrench flats for tightening.
- Solid fabricated brass showerhead
- Showerhead is intended for overhead raincan orientation. Ball connector rotates and pivots.
- Finished spray face

WARRANTY

- Parts and Finish – Lifetime limited warranty; or for commercial purchasers, 10 years for multi-family residential (apartments and condominiums) and 5 years for all other commercial uses, in each case from the date of purchase.
- Electronic Parts and Batteries (if applicable) – 5 years from the date of purchase; or for commercial purchasers, 1 year from the date of purchase. No warranty is provided on batteries.



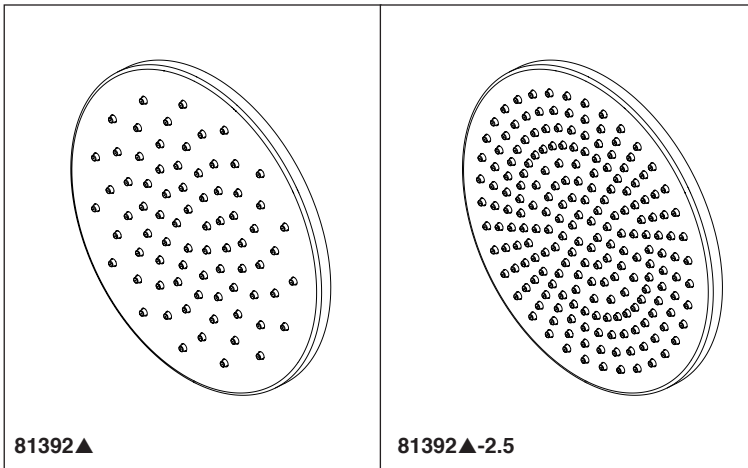
COMPLIES WITH:

- ASME A1 12.18.1 / CSA B125.1
- EPA WaterSense® - Applies to 81392▲ only

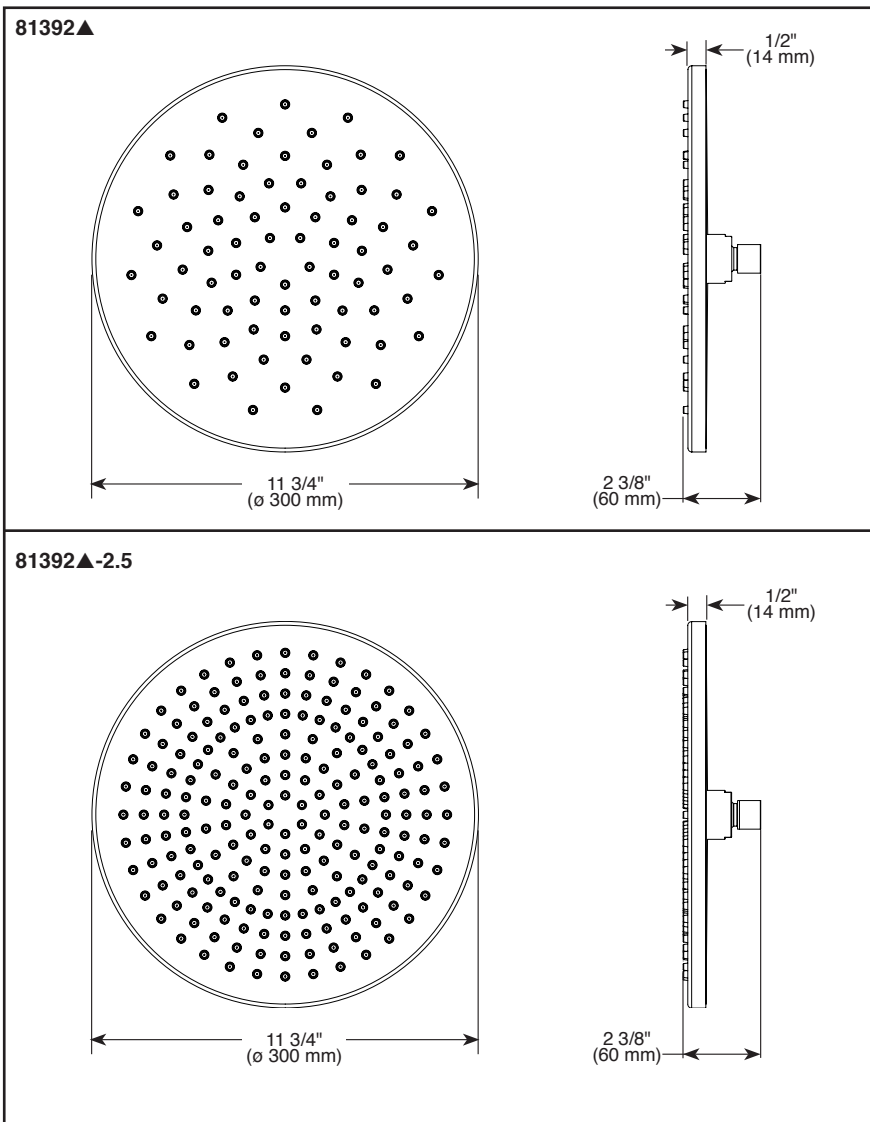
Spray Pattern



Soft Rain
Spray



Submitted Model No.: _____
Specific Features: _____



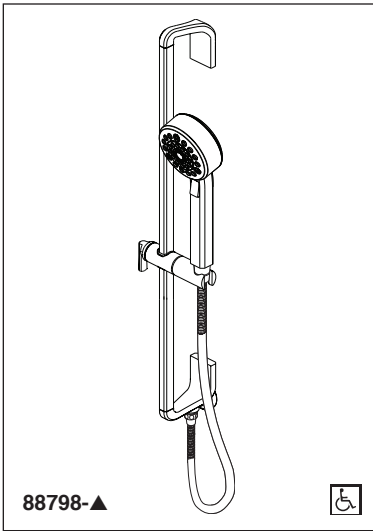
▲ Designate proper finish suffix

Brizo Kitchen & Bath Company reserves the right (1) to make changes in specifications and materials, and (2) to change or discontinue models, both without notice or obligation. Dimensions are for reference only. See current full-line price book or www.brizo.com for finish options and product availability.

BSP-B-81392 Rev. A

Brizo Kitchen & Bath Company

55 E. 111th Street, Indianapolis, Indiana 46280
350 South Edgeware Road, St. Thomas, ON N5P 4L1
© 2019 Brizo Kitchen & Bath Company



BRIZO® HAND SHOWER W/SLIDEBAR

■ Levoir™ Bath Collection

FEATURES:

- Multi function hand shower featuring H₂Okinetic Technology®

STANDARD SPECIFICATIONS:

- Maximum 1.75 gpm @ 80 psi, 6.6 L/min @ 550 kPa
- Wall bar with adjustable slide (allows for adjustable shower height). Not to be used as a grab bar.
- 60" - 82" (1524 mm - 2083 mm) stretchable finished metal hose
- Wall bar includes integrated elbow for hose connection
- Slide bar can be installed with hose connection on top if desired
- Multiple spray settings and pause feature - pause is a non-positive shut-off

WARRANTY

- Parts and Finish - Lifetime limited warranty; or for commercial purchasers, 10 years for multi-family residential (apartments and condominiums) and 5 years for all other commercial uses, in each case from the date of purchase.
- Electronic Parts and Batteries (if applicable) - 5 years from the date of purchase; or for commercial purchasers, 1 year from the date of purchase. No warranty is provided on batteries.

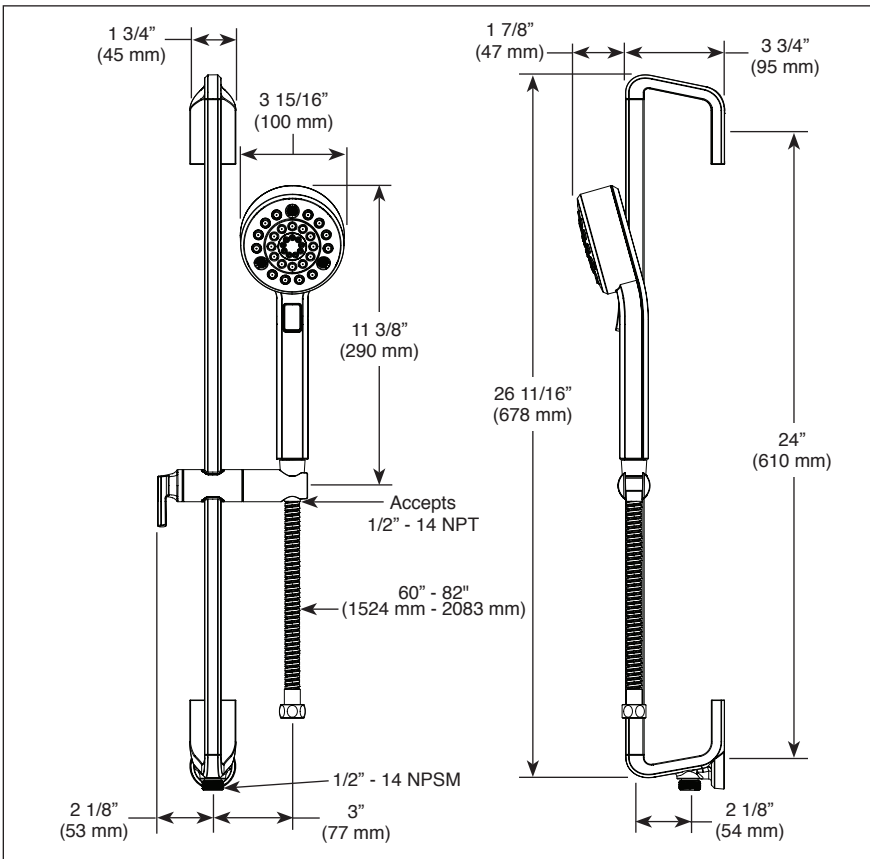


COMPLIES WITH:

- ASME A112.18.1 / CSA B125.1 ♦
- Indicates compliance to ICC/ANSI A117.1 - Applies to hand shower only
- EPA WaterSense®

Submitted Model No.: _____

Specific Features:



▲ Designate finish suffix

Spray Pattern



Full Body Spray



H₂Okinetic Technology®



Massaging Spray



Pause

- ♦ Your Brizo Faucet hand shower incorporates a backflow protection system that has been tested to be in compliance with ASME A112.18.3. It incorporates two certified check valves in series, which operate independently and are integral, non-serviceable parts of the wand assembly.

Brizo Kitchen & Bath Company reserves the right (1) to make changes in specifications and materials, and (2) to change or discontinue models, both without notice or obligation. Dimensions are for reference only. See current full-line price book or www.brizo.com for finish options and product availability.

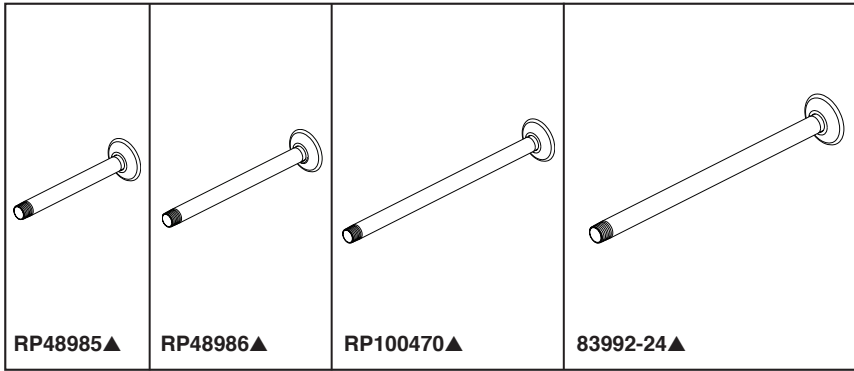
BSP-B-88798 Rev. B

Brizo Kitchen & Bath Company

55 E. 111th Street, Indianapolis, Indiana 46280
350 South Edgeware Road, St. Thomas, ON N5P 4L1
© 2018 Brizo Kitchen & Bath Company

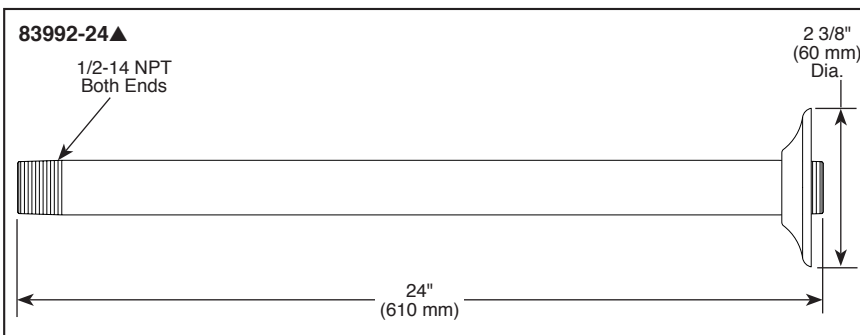
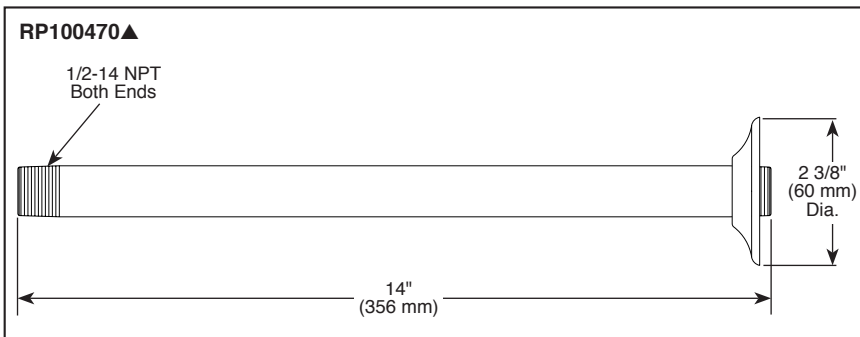
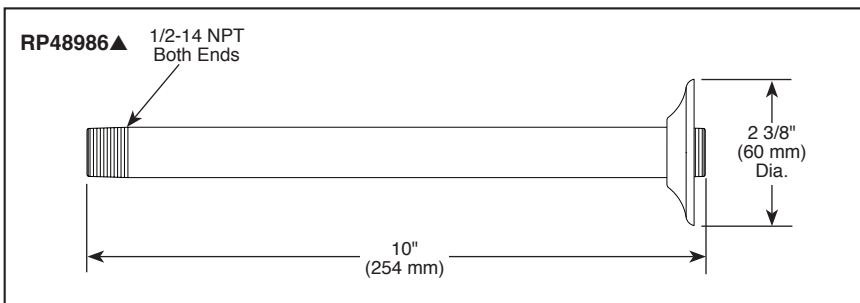
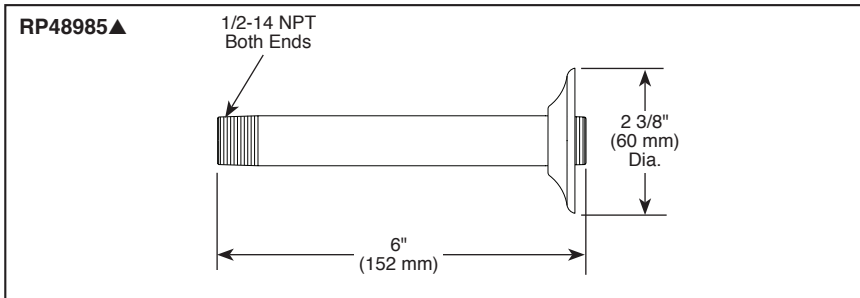
BRIZO®

CEILING MOUNT SHOWER ARMS AND FLANGE



Submitted Model No.: _____

Specific Features: _____



▲ Designate proper finish suffix

STANDARD SPECIFICATIONS:

- 1/2" NPT threads
- Solid brass construction
- Adjustable flange is held in place on shower arm by rubber friction ring

WARRANTY

- Parts and Finish – Lifetime limited warranty; or for commercial purchasers, 10 years for multi-family residential (apartments and condominiums) and 5 years for all other commercial uses, in each case from the date of purchase.
- Electronic Parts and Batteries (if applicable) – 5 years from the date of purchase; or for commercial purchasers, 1 year from the date of purchase. No warranty is provided on batteries. No warranty is provided on batteries.

COMPLIES WITH:

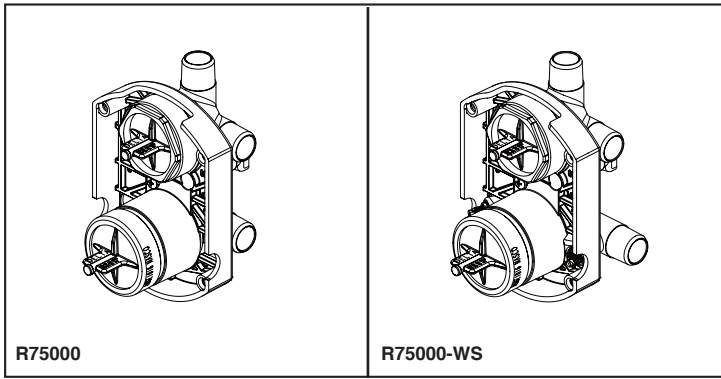
- ASME A112.18.1 / CSA B125.1

Brizo Kitchen & Bath Company reserves the right (1) to make changes in specifications and materials, and (2) to change or discontinue models, both without notice or obligation. Dimensions are for reference only. See current full-line price book or www.brizo.com for finish options and product availability.

BSP-B-RP48985 Rev. E

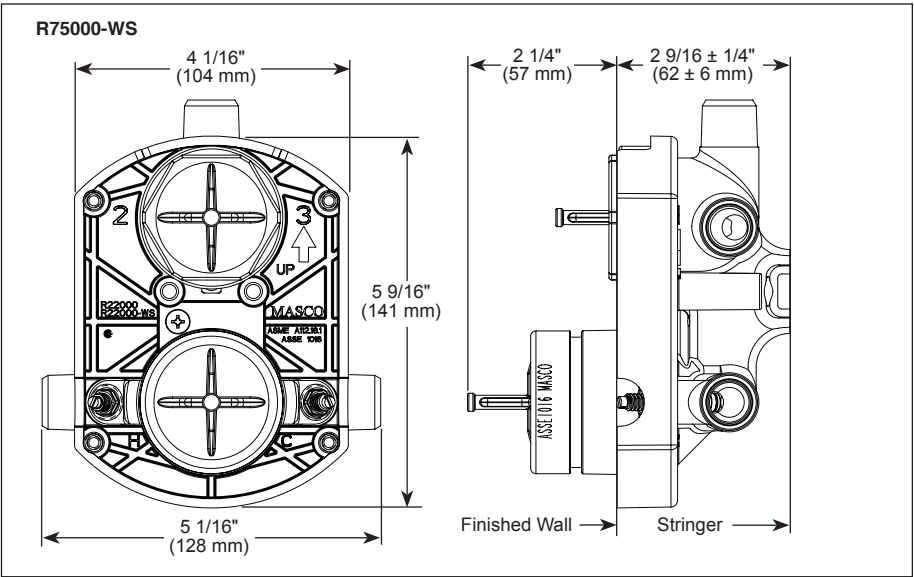
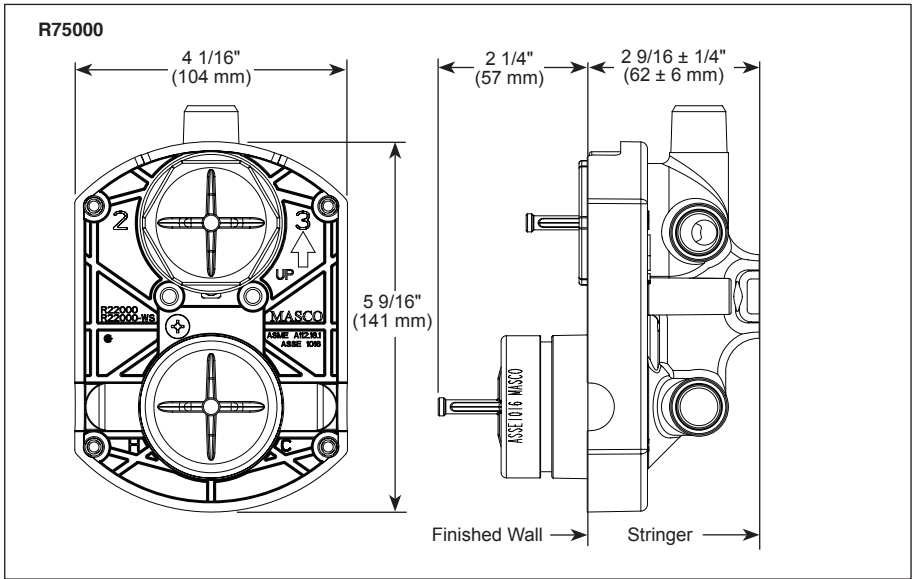
Brizo Kitchen & Bath Company

55 E. 111th Street, Indianapolis, Indiana 46280
350 South Edgeware Road, St. Thomas, ON N5P 4L1
© 2020 Brizo Kitchen & Bath Company



Submitted Model No.: _____

Specific Features: _____



Extension kits available

Visit our website at www.brizo.com for specification sheet for trim model to identify appropriate RP.

BRIZO®

MULTICHOICE® UNIVERSAL INTEGRATED SHOWER DIVERTER ROUGH

- R75000 (Shower Only)
- R75000-WS (Shower Only with Stops)

STANDARD SPECIFICATIONS:

- Forged brass body
 - Back-to-Back installation capabilities
 - Three port diverter.
 - Can be tested with air (200 PSI) or water (300 PSI) without valve using supplied test cap
 - Accepts Brizo (3) three or (6) six function diverter cartridges plus all MultiChoice® cartridges.
 - Plug provided for 3 setting diverter installation.
 - Cartridges ship with trim
 - Non-shared diverter cartridges also available (RP72123 and RP72124)
 - 1/2" outlets and connections
 - Universal type fitting and is 1/2" NPT male thread with 1/2" C.W.T. female sweat
 - Sweat onto 1/2" C.W.T. or accepts 1/2" iron pipe, PEX or CPVC adapters
 - Standard installation accommodates finished wall thickness up to 1 1/8"
 - Thick wall installation kits can be ordered to allow for up to 2 1/8" finish wall thickness (order by valve type).
- Note: No tub outlet
- Note: Should use proper fitting with each type (copper tubing, iron pipe, and pex fitting)

WARRANTY

- Lifetime limited warranty on parts (other than electronic parts and batteries) and finishes; or, for commercial users, for 5 years from date of purchase.
- 5 year limited warranty on electronic parts (other than batteries); or, for commercial users, for 1 year from the date of purchase. No warranty is provided on batteries.

COMPLIES WITH:

- ASME A112.18.1 / CSA B125.1

Maximum Flow Rate Guide					
Rough	Cartridge	Outlet	40 psi	60 psi	80 psi
R75000	TempAssure® Thermostatic	Shower	5.9 gpm	7.2 gpm	8.3 gpm
R75000-WS	TempAssure® Thermostatic	Shower	5.3 gpm	6.5 gpm	7.4 gpm

Based on 6 Setting Diverter