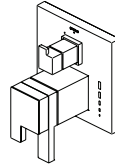


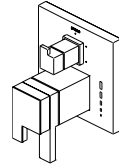
Write purchased model number here.

For easy installation of your Brizo® faucet you will need:

- To **READ ALL** the instructions completely before beginning.
- To **READ ALL** warnings, care, and maintenance information.



T75580-▲



T75680-▲

You May Need



Table of Contents:

Warranty	Page 2
Installation Instructions	Pages 3 - 6
Maintenance	Page 7

For additional replacement parts, visit www.brizo.com

CAUTION: This system/device must be set by the installer to ensure safe, maximum temperature. Any change in the setting may raise the discharge temperature above the limit considered safe and may lead to hot water burns.

NOTICE TO INSTALLER: CAUTION!—As the installer of this valve, it is your responsibility to properly **INSTALL** and **ADJUST** this valve per the instructions given. This valve does not automatically adjust for inlet temperature changes, therefore, someone must make the necessary temperature knob adjustments at the time of installation and further adjustments may be necessary due to seasonal water temperature change. **YOU MUST** inform the owner/user of this requirement by following the instructions. If you or the owner/user are unsure how to properly make these adjustments, please refer to page 5 and if still uncertain, call us at 1-877-345-BRIZO (2749).

After installation and adjustment, you must affix your name, company name and the date you adjusted the temperature knob to the caution label provided and apply or attach the label to the back

side of the closest cabinet door and the warning label to the water heater. **Leave this Instruction Sheet for the owner's/user's reference.**

WARNING: This thermostatic bath valve is designed to minimize the effects of outlet water temperature changes due to inlet pressure and temperature changes, commonly caused by dishwashers, washing machines, toilets and the like. It may not provide protection from hot water burns when there is a failure of other temperature controlling devices elsewhere in the plumbing system, if the temperature knob is not properly set or if the hot water temperature is changed after the settings are made or if the water inlet changes due to seasonal changes.

WARNING: Do not install a shut-off device on either outlet of this valve. When this type of device shuts off the water flow, it can defeat the ability of the valve to balance the hot and cold water pressures.

To access additional technical documents & product info, visit www.brizo.com



www.brizo.com
1-877-345-BRIZO (2749)
brizosupport@brizo.com

Limited Warranty on Brizo® Faucets

Parts and Finish. All parts (other than electronic parts and batteries) and finishes of this Brizo® faucet are warranted to the original consumer purchaser to be free from defects in material and workmanship for as long as the original consumer purchaser owns the home in which the faucet was first installed or, for commercial users, the warranty period is ten (10) years for multi-family residential (apartments and condominiums and five (5) years for all other commercial uses, in each case from the date of purchase.

Electronic Parts and Batteries (if applicable). Electronic parts (other than batteries), if any, of this Brizo® faucet are warranted to the original consumer purchaser to be free from defects in material and workmanship for five (5) years from the date of purchase or, for commercial users, for one (1) year from the date of purchase. No warranty is provided on batteries.

What We Will Do. Brizo Kitchen & Bath Company will repair or replace, free of charge, during the applicable warranty period (as described above), any part or finish that proves defective in material and/or workmanship under normal installation, use and service. If repair or replacement is not practical, Brizo Kitchen & Bath Company may elect to refund the purchase price in exchange for the return of the product. **These are your exclusive remedies.**

What Is Not Covered. Any labor charges incurred by the purchaser to repair, replace, install or remove this product are not covered by this warranty. Brizo Kitchen & Bath Company shall not be liable for any damage to the product resulting from reasonable wear and tear, outdoor use, misuse (including use of the product for an unintended application), freezing water, abuse, neglect or improper or incorrectly performed installation, maintenance or repair, including failure to follow the applicable care and cleaning instructions. Brizo Kitchen & Bath Company recommends using a professional plumber for all installation and repair of faucets. We also recommend that you use only genuine Brizo® replacement parts.

What You Must Do To Obtain Warranty Service or Replacement Parts. A warranty claim may be made and replacement parts may be obtained by calling 1-877-345-BRIZO (2749) or by contacting us by mail or online as follows (please include your model number and date of purchase):

In the United States and Mexico:

Brizo Kitchen & Bath Company
Brizo Customer Solutions
55 E. 111th Street
Indianapolis, IN 46280
<https://www.brizo.com/customer-support/contact-us>

In Canada:

Masco Canada Limited, Plumbing Group
Technical Service Centre
350 South Edgeware Road
St. Thomas, Ontario, Canada N5P 4L1
<https://www.brizo.com/customer-support/contact-us>

Proof of purchase (original sales receipt) from the original purchaser must be made available to Brizo Kitchen & Bath Company for all warranty claims unless the purchaser has registered the product with Brizo Kitchen & Bath Company. This warranty applies only to Brizo® faucets installed in the United States of America, Canada and Mexico.

Limitation on Duration of Implied Warranties. TO THE EXTENT PERMITTED BY LAW, ANY IMPLIED WARRANTY, INCLUDING THE IMPLIED WARRANTIES OF MERCHANTABILITY AND OF FITNESS FOR A PARTICULAR PURPOSE, IS LIMITED TO THE STATUTORY PERIOD OR THE DURATION OF THIS WARRANTY, WHICHEVER IS SHORTER. Some states/provinces do not allow limitations on how long an implied warranty lasts, so this limitation may not apply to you.

Limitation of Special, Incidental or Consequential Damages. BRIZO KITCHEN & BATH COMPANY SHALL NOT BE LIABLE FOR ANY SPECIAL, INCIDENTAL OR CONSEQUENTIAL DAMAGES (INCLUDING LABOR CHARGES TO REPAIR, REPLACE, INSTALL OR REMOVE THIS PRODUCT), WHETHER ARISING OUT OF BREACH OF ANY EXPRESS OR IMPLIED WARRANTY, BREACH OF CONTRACT, TORT, OR OTHERWISE. BRIZO KITCHEN & BATH COMPANY SHALL NOT BE LIABLE FOR ANY DAMAGE TO THE FAUCET RESULTING FROM REASONABLE WEAR AND TEAR, OUTDOOR USE, MISUSE (INCLUDING USE OF THE PRODUCT FOR AN UNINTENDED APPLICATION, FREEZING WATER, ABUSE, NEGLIGENCE OR IMPROPER OR INCORRECTLY PERFORMED INSTALLATION, MAINTENANCE OR REPAIR, INCLUDING FAILURE TO FOLLOW THE APPLICABLE INSTALLATION, CARE AND CLEANING INSTRUCTIONS. Some states/provinces do not allow the exclusion or limitation of special, incidental or consequential damages, so the above limitations and exclusions may not apply to you. Notice to residents of the State of New Jersey: The provisions of this warranty, including its limitations, are intended to apply to the fullest extent permitted by the laws of the State of New Jersey.

Additional Rights. This warranty gives you special legal rights, and you may also have other rights which vary from state/province to state/province.

This is Brizo Kitchen & Bath Company's exclusive written warranty and the warranty is not transferable.

If you have any questions or concerns regarding our warranty, please contact us as provided above or visit our website at www.brizo.com.

www.brizo.com

© 2018

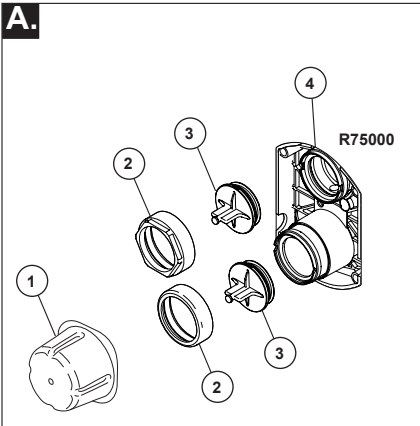
Cleaning and Care

Care should be given to the cleaning of this product. Although its finish is extremely durable, it can be damaged by

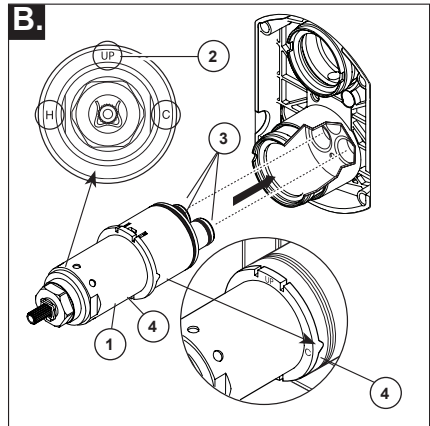
harsh abrasives or polish. To clean, simply wipe gently with a damp cloth and blot dry with a soft towel.

1

Cartridge Installation

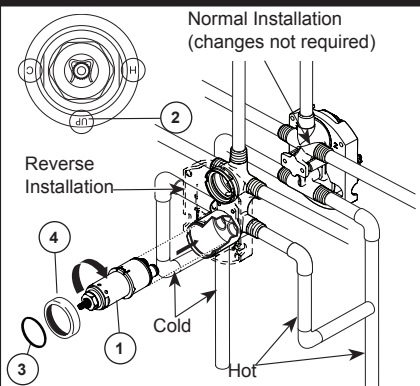


Turn off water supplies. Remove cover (1), bonnet nuts (2) and test caps (3) from the rough-in body (4) R75000. Place a bucket or small container over the front of the valve body and slowly open the water supplies to flush any debris from the supply lines before installing the cartridge. Turn the water supplies back off.

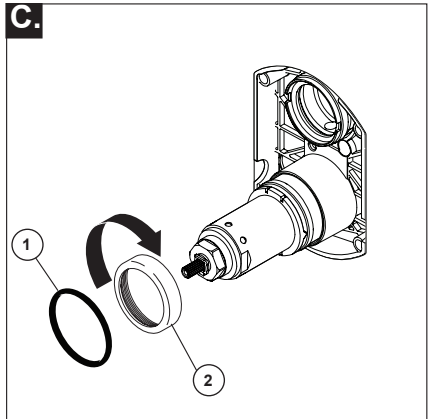


Rotate the valve cartridge (1) so the word "UP" (2) appears on the top. The "H" is on the hot side and the "C" is on the cold side. Add silicone lube to the three o-rings (3) shown above to make the cartridge easier to install and remove from the valve body. Insert cartridge into valve body as shown. Ensure the keys on the body are fully engaged with the slots in the body (4). A light coating of plumbers grease applied to o-rings may aid in assembly.

Back to back Installation



For the exceptions of back to back or reverse installations (hot on right and cold on left) only: Rotate valve cartridge (1) so "H" is on the hot side and "C" is on the cold side and the word "UP" (2) appears on the bottom. Apply silicone lube to the three o-rings shown above to make the cartridge easier to install and remove from the rough-in body. Install the cartridge making sure that the keys are fully engaged with the slot in the rough-in body (see step B). Slide o-ring (3) and bonnet nut (4) over the cartridge and thread onto the rough-in body. Hand tighten securely.

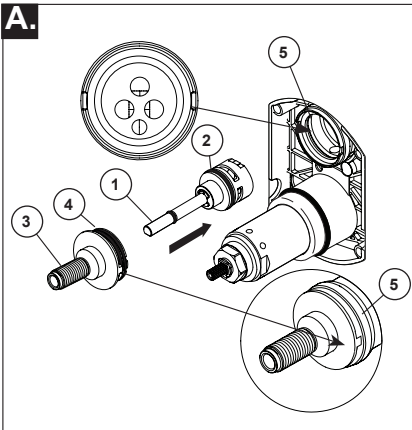


Thread bonnet nut (2) onto cartridge. Hand tighten securely. Slide o-ring (1) over the cartridge and bonnet.

75 Series Installation

2

Diverter Cartridge Installation

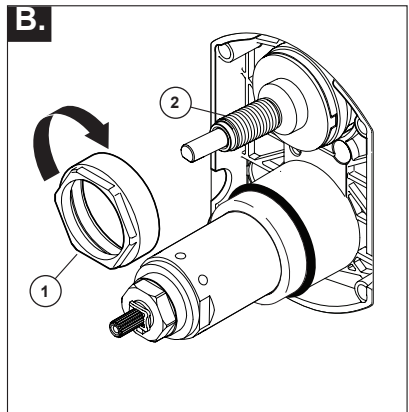


FOR DIVERTER CARTRIDGE INSTALLATION: Apply silicone lube to the o-ring (2) to make the diverter sleeve (3) easier to install diverter cartridge.

Rotate the diverter cartridge (1) so the pin is at the bottom for proper installation.

Apply silicone lube to the o-rings (4) to make the diverter sleeve (3) easier to install diverter cartridge.

Align diverter sleeve so that the notches are in the same position as the notches on rough-in body (5).

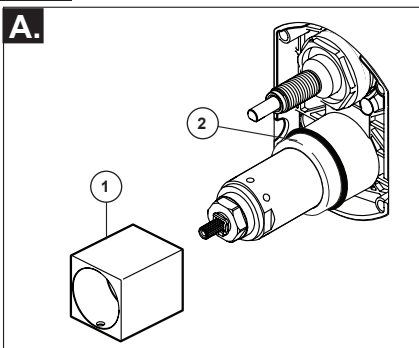


Slip-On Installation

Slide bonnet nut (1) over diverter sleeve (2) and thread into rough-in body. Hand tighten securely.

3

Trim Installation

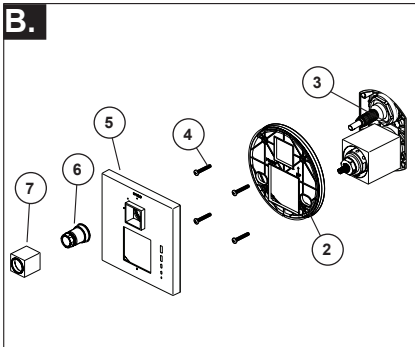


Trim Sleeve Installation

Slide trim sleeve (1) over cartridge, bonnet (2), and O-ring. Ensure sleeve is properly positioned over the cartridge with set screw access hole downward. O-ring will help keep trim sleeve securely in position.

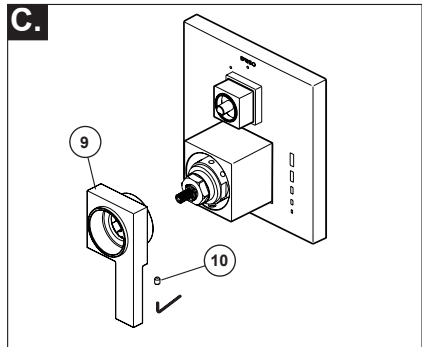
3

Trim Installation



Escutcheon Installation

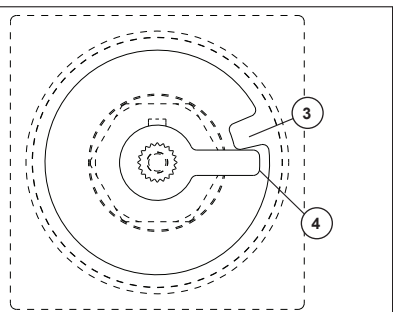
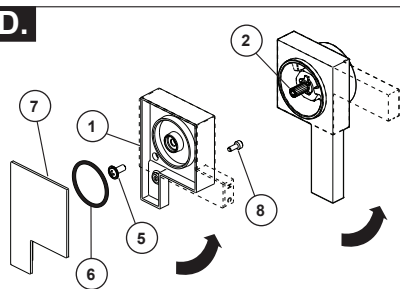
Secure backplate (2) to rough-in body (3) using 4 screws (4) provided. **Note: Be sure backplate is oriented front side forward and markings are visible.** If mounting to an uneven surface, apply appropriate sealant around the backplate to supplement rubber seal. Align holes in escutcheon (5) with cartridges and slide escutcheon (5) onto backplate. Secure escutcheon by threading trim nut (6) onto diverter sleeve. Do not overtighten. Slide diverter trim sleeve (7) over trim nut (6). **For thick wall installation, an optional extension kit is available to accommodate up to 1" of additional wall thickness. Order RP100669.**



Volume Handle Installation

Slide volume control handle (9) over cartridge, aligning flat surfaces inside handle with flat surfaces on sides of cartridge. Handle lever should point downward (6 o'clock) in the off position. Secure handle with set screw (10). **Note: Set screw should be started in handle before installing onto cartridge.** Then tighten set screw by placing Allen wrench through access hole in trim sleeve.

Installation and Adjustment of the Temperature Handle. Failure to do so may cause injury. Please complete the following steps carefully.



Adjust temperature limit stop

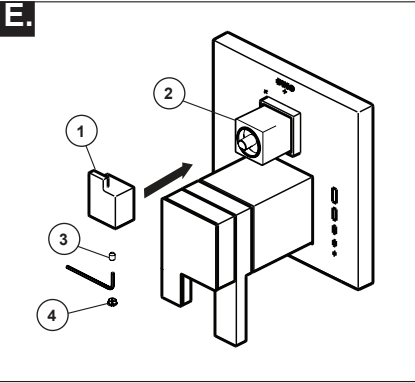
Turn on water supplies; LET WATER RUN AT FULL HOT TO ENSURE WATER IS AS HOT AS POSSIBLE. Place a thermometer in a plastic tumbler and hold tumbler in water stream. Aligning the splines, place temperature handle (1) onto end of cartridge stem (2). Rotate handle until desired maximum temperature is achieved (not more than 120° or lower, as mandated by local plumbing code).

Remove temperature handle (1). Replace handle onto cartridge stem with handle limit stop (4) against volume handle limit stop (3), as shown. Secure temperature handle (1) onto valve stem with screw (5). Ensure O-ring (6) is assembled on handle cap (7). Install handle cap by pressing it into place on top of the temperature handle (1). Secure cap by tightening screw (8) from the underside of the handle.

75 Series Installation

3

Valve Trim Installation



Diverter Handle Installation

Insert diverter handle (1) onto trim sleeve (2). Using a allen wrench, insert set screw (3) into handle (1). Applying pressure, insert set screw cover (4) until properly seated.

4

Potential scald or thermal shock injury could result due to cross flow if outlet at the shower is blocked or restricted (e.g., pause control on showerhead). Be sure to point showerhead away from you when re-starting flow or install inlet check valves on both supply lines to prevent possible injury.

75 Series Maintenance

Cannot receive more than a trickle of water:

Both hot and cold supply lines must be pressurized. If only one side is pressurized, the system will not allow adequate flow of water.

Faucet leaks from showerhead: Remove the showerhead then turn the water on and off to verify if the cartridge is leaking or the showerhead is draining slowly (the showerhead may need to be cleaned if water drains slowly).

If leak persists -SHUT OFF WATER SUPPLIES
Replace cartridge assembly - RP47201.

Unable to set or maintain mixed water temperature:

SHUT OFF WATER SUPPLIES. Remove handle assembly, trim sleeve, and bonnet nut. Check to make sure the "H" marking on the cartridge aligns with the hot inlet and the "C" marking on the cartridge aligns with the cold inlet to the valve body. The thermostatic cartridge cannot function if hot and cold inlets are reversed.

Low flow:

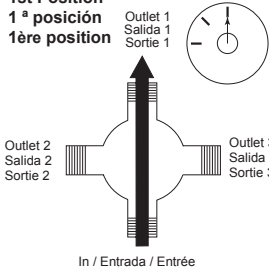
Low flow may be caused by clogged screens within the thermostatic cartridge. To clean the hot and cold screens in the cartridge, follow the steps below:

1. SHUT OFF WATER SUPPLIES.
2. Remove the handle assembly.
3. Unscrew the hex shaped portion of the cartridge from the brass section of the cartridge. the brass section must be held securely by the flats while the hex is rotated counter-clockwise. Failure to secure the brass section while rotating the hex can result in damage to the cartridge.
4. Carefully clean any debris from the screens under running water. If the debris is difficult to remove then soak the screens overnight in a 50% water and 50% vinegar solution.
5. Reassemble the cartridge.
6. Replace the handle.
- 7 Turn the water back on.
8. Reset the limit stop before using the valve.

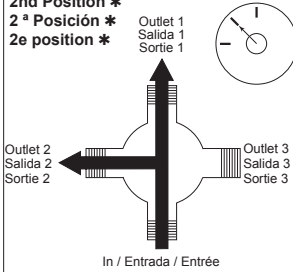
Diverter Handle Reference Sheet

Water Flow For 3 Function Diverter / Flujo de agua para Desviadores de 3 posiciones / Écoulement de l'eau pour les inverseurs à 3 positions

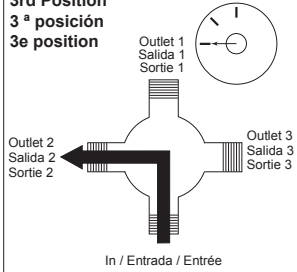
1st Position
1ª posición
1ère position



2nd Position *
2ª Posición *



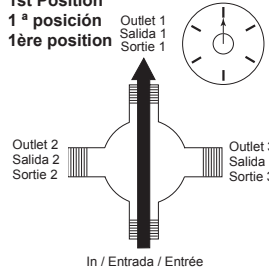
3rd Position
3ª posición
3e position



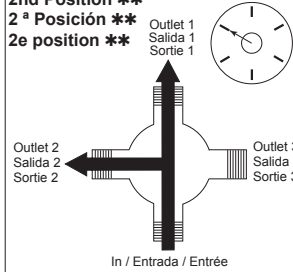
- * Shared positions do not exist in non-shared cartridges.
- * Los ajustes o posiciones compartidas no existen en los cartuchos no-compartidos.
- * Comme leur nom l'indique, les cartouches sans position partagée ne comportent aucune position partagée.

Water Flow For 6 Function Diverter / Flujo de agua para Desviadores de 6 posiciones / Écoulement de l'eau pour les inverseurs à 6 positions

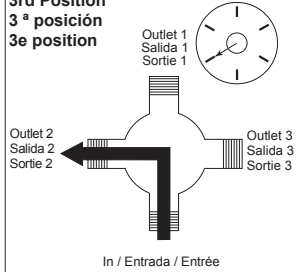
1st Position
1ª posición
1ère position



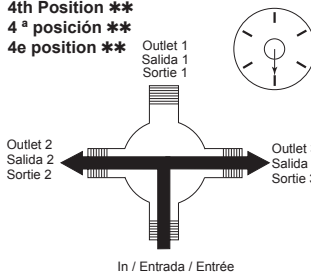
2nd Position **
2ª Posición **



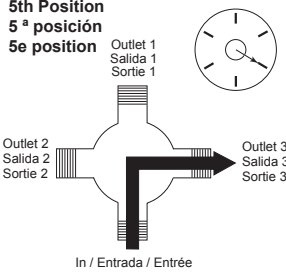
3rd Position
3ª posición
3e position



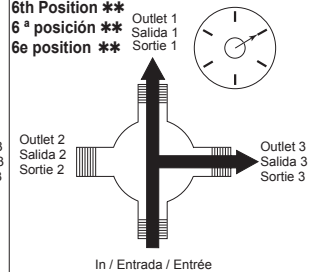
4th Position **
4ª posición **



5th Position
5ª posición
5e position



6th Position **
6ª posición **



- ** Shared positions do not exist in non-shared cartridges.
- ** Los ajustes o posiciones compartidas no existen en los cartuchos no-compartidos.
- ** Comme leur nom l'indique, les cartouches sans position partagée ne comportent aucune position partagée.

BRIZO® 101652 TempAssure® Thermostatic

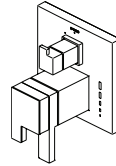
Válvula MultiChoice® con Función integrada de 3 o 6 Accesorios del Desviador Instrucciones para la instalación

Manual para propietarios Serie 75

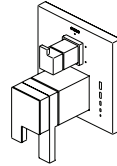
Escriba el número del modelo comprado.

Para una fácil instalación de su llave de agua/
grifo Brizo® va a necesitar:

- **LEER TODAS** las instrucciones completamente antes de comenzar.
- **LEER TODAS** las advertencias, cuidados, e información de mantenimiento.



T75580-▲



T75680-▲

Puede necesitar

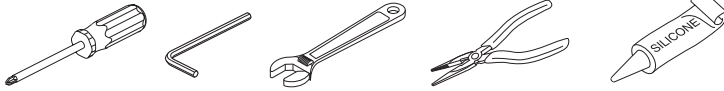


Tabla de contenido:

Garantía	Página 2
Instrucciones de instalación	Páginas 3 - 6
Mantenimiento	Página 7

Para obtener piezas de repuesto adicionales, visite www.brizo.com

ADVERTENCIA: Este sistema/dispositivo debe estar configurado por el instalador para asegurar una temperatura máxima segura. Cualquier cambio en el ajuste puede aumentar la temperatura de descarga por encima del límite considerado seguro y puede resultar en quemaduras por agua caliente.

AVISO PARA EL INSTALADOR: ¡ATENCIÓN! Como el instalador de esta válvula, es su responsabilidad de **INSTALAR** y **AJUSTAR** correctamente esta válvula según las instrucciones proporcionadas. Esta válvula no se ajusta automáticamente a los cambios de temperatura de entrada, por lo tanto, alguien debe hacer los ajustes necesarios con la perilla de control de temperatura en el momento de la instalación y ajustes adicionales pueden ser necesarios debido a cambios estacionales de la temperatura del agua. **USTED DEBE** informar al propietario/ usuario de este requisito siguiendo las instrucciones. Si usted o el dueño/consumidor no está seguro de como hacer estos ajustes, **consulte la página 5** y si aún tiene duda, llámenos al 1-877-345-BRIZO (2749).

Después de la instalación y el ajuste, debe colocar su nombre, nombre de la empresa y la fecha en que ajustó la perilla de control de la temperatura a la etiqueta de precaución proporcionada y aplique o pegue la etiqueta en

la parte trasera de la puerta del armario más cercano a la etiqueta de advertencia al calentador de agua. **Deje esta hoja de instrucciones para referencia del propietario /usuario.**

ADVERTENCIA: Esta válvula termostática de baño está diseñada para minimizar los efectos de los cambios de temperatura del agua de salida debido a cambios de presión y temperatura, causados habitualmente por los lavaplatos, las lavadoras, los inodoros y otros aparatos similares. Puede no ofrecer protección contra las quemaduras por agua caliente cuando hay un fallo de otros dispositivos para el control de temperatura en otras partes del sistema de plomería, si la perilla para el control de la temperatura no está configurada correctamente o si se cambia la temperatura del agua caliente después de realizar los ajustes o si el agua admisión cambia debido a los cambios estacionales.

ADVERTENCIA: No instale un dispositivo de cierre en cualquiera de las tuberías de salida de agua de esta válvula. Cuando este tipo de dispositivo cierra el flujo del agua, pueda aminorar el propósito de la válvula para balancear las presiones del agua caliente y fría.

Para acceder a documentos técnicos adicionales e información sobre el producto, visítenos en www.brizo.com



www.brizo.com
1-877-345-BRIZO (2749)
brizosupport@brizo.com

Garantía en los grifos Brizo®

Piezas y Acabado. Todas las piezas (excepto los componentes electrónicos y las pilas) y acabados de esta llave de agua/grifo Brizo® están garantizados al consumidor comprador original de estar libres de defectos en material y fabricación durante el tiempo que el comprador original sea propietario de la vivienda en la que la llave de agua fue originalmente instalada o, para usuarios comerciales, el período de garantía es de diez (10) años para viviendas multi-familiares (apartamentos y condominios) y cinco (5) años para todos los demás usos comerciales, en cada caso desde la fecha de compra.

Piezas electrónicas y pilas (si aplicable). Las piezas electrónicas (excepto las pilas), si las hay, de esta llave de agua/grifo Brizo® están garantizadas al consumidor comprador original de estar libres de defectos en material y fabricación durante cinco (5) años a partir de la fecha de compra en el caso de los consumidores comerciales, durante un (1) año a partir de la fecha de compra. No ofrecemos garantía en la pila.

Lo que haremos. La compañía Brizo Kitchen & Bath Company reparará o reemplazará, sin costo alguno, durante el período de garantía aplicable (como descrito arriba) cualquier pieza o acabado que demuestre estar defectuosa en material y/o mano de obra bajo la instalación, el uso y el servicio normal. Si la reparación o el reemplazo no es práctico, Brizo Kitchen & Bath Company puede optar por reembolsarle el precio de compra a cambio de la devolución del producto. **Estos son sus remedios exclusivos.**

Lo que no está cubierto. Esta garantía no cubre los costos de mano de obra incurridos por el comprador para reparar, reemplazar, instalar o desmontar este producto. Brizo Kitchen & Bath Company no será responsable por cualquier daño al grifo que resulte del desgaste razonable, uso en el exterior de la propiedad, uso indebido (incluyendo el uso del producto para una aplicación indebida), agua helada, abuso, negligencia, o instalación, mantenimiento o reparación realizadas incorrectamente, incluyendo el no seguir las instrucciones correspondientes para el cuidado, la limpieza y el mantenimiento. Brizo Kitchen & Bath Company recomienda que un plomero profesional haga toda la instalación y las reparaciones. También recomendamos que use solo piezas de repuestos originales Brizo®.

Lo que usted debe hacer para obtener servicio de garantía o piezas de repuesto. Puede hacer un reclamo para la garantía y puede obtener piezas de repuesto llamando al 1-877-345-BRIZO (2749) o contactándonos por correo o en línea de la siguiente manera (por favor incluya su número de modelo y fecha de compra):

En los Estados Unidos y México:

Brizo Kitchen & Bath Company
Brizo Customer Solutions
55 E. 111th Street
Indianapolis, IN 46280
<https://www.brizo.com/customer-support/contact-us>

En Canadá:

Masco Canada Limited, Plumbing Group
Technical Service Centre
350 South Edgeware Road
St. Thomas, Ontario, Canada N5P 4L1
<https://www.brizo.com/customer-support/contact-us>

El comprobante de compra (recibo de venta original) del comprador original debe estar disponible a Brizo Kitchen & Bath Company para todos los reclamos de garantía a menos que el comprador haya registrado el producto con Brizo Kitchen & Bath Company. Esta garantía se aplica solo a las llaves de agua Brizo® instaladas en los Estados Unidos de América, Canadá y México.

La limitación de la duración de las garantías implícitas. HASTA EL ALCANCE EN QUE LA LEY LO PERMITA, CUALQUIER GARANTÍA IMPLÍCITA, INCLUIDAS LAS GARANTÍAS IMPLÍCITAS DE COMERCIABILIDAD Y DE IDONEIDAD PARA UN PROPÓSITO PARTICULAR, ESTÁ LIMITADA AL PERÍODO LEGAL O A LA DURACIÓN DE ESTA GARANTÍA, LO QUE SEA MÁS CORTO. Algunos estados/provincias no permiten la limitación de la duración de una garantía implícita por lo que esta limitación puede no aplicarle.

Limitación de daños especiales, incidentales o consiguientes. BRIZO KITCHEN & BATH COMPANY NO SERÁ RESPONSABLE POR NINGÚN DAÑO ESPECIAL, INCIDENTAL O CONSIGUIENTE (INCLUYENDO LOS GASTOS DE MANO DE OBRÁ PARA REPARAR, REEMPLAZAR, INSTALAR O DESMONTAR ESTE PRODUCTO), YA SEA RESULTADO DEL INCUMPLIMIENTO DE CUALQUIER GARANTÍA EXPRESA O IMPLÍCITA, INCUMPLIMIENTO DE CONTRATO, AGRAVIO O DE OTRA MANERA. BRIZO KITCHEN & BATH COMPANY NO SE RESPONSABILIZARÁ POR CUALQUIER DAÑO AL GRIFO QUE RESULTE DEL DESGASTE RAZONABLE, USO EN EL EXTERIOR DE LA PROPIEDAD, USO INDEBIDO (INCLUYENDO EL USO DEL PRODUCTO PARA UNA APLICACIÓN NO INTENCIONADA), AGUA HELADA, ABUSO, NEGLIGENCIA O INSTALACIÓN, MANTENIMIENTO O REPARACIÓN INADECUADA O INCORRECTA, INCLUYENDO EL NO SEGUIR LAS INSTRUCCIONES CORRESPONDIENTES PARA LA INSTALACIÓN, EL CUIDADO, Y LA LIMPIEZA. Algunos estados/provincias no permiten la exclusión o limitación de daños especiales, incidentales o consiguientes, por lo que estas limitaciones y exclusiones puedan no aplicarle. Aviso para los residentes del estado de New Jersey: Las disposiciones de este documento tienen la intención de aplicarse en la máxima medida permitida por las leyes del estado de New Jersey.

Derechos adicionales. Esta garantía le otorga derechos legales específicos, (y también puede tener otros derechos que varían de estado/provincia a estado/provincia).

Esta es la garantía escrita exclusiva de Brizo Kitchen & Bath Company y la garantía no es transferible.

Si tiene preguntas o dudas con respecto a nuestra garantía, por favor comuníquese con nosotros como se indica arriba o visite nuestro sitio web www.brizo.com.

© 2018

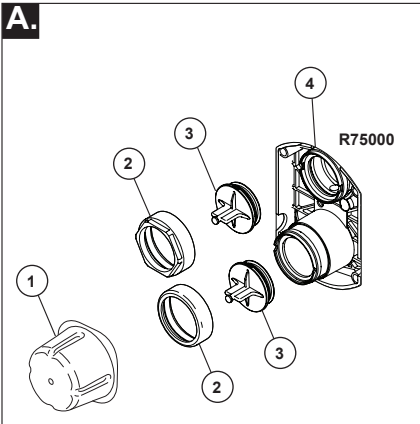
Limpieza y Cuidado

Se debe tener cuidado con la limpieza de este producto. Aunque su acabado es extremadamente resistente, puede ser dañado por abrasivos o pulimentos

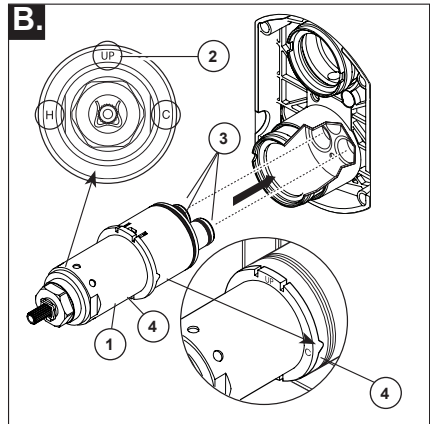
ásperos. Para limpiar, simplemente frote con un paño húmedo y seque con una toalla suave.

1

Instalación del cartucho

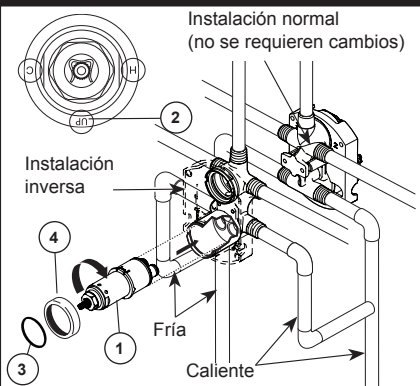


Cierre los suministros de agua. Quite la tapa (1), las tuercas tapas (2) y las tapas de prueba (3) del cuerpo de la tubería preliminar detrás de la pared (4). Coloque una cubeta o recipiente pequeño sobre el frente del cuerpo de la válvula y abra lentamente los suministros de agua para eliminar cualquier residuo de las líneas de suministro antes de instalar el cartucho. Cierre otra vez el agua de suministro.

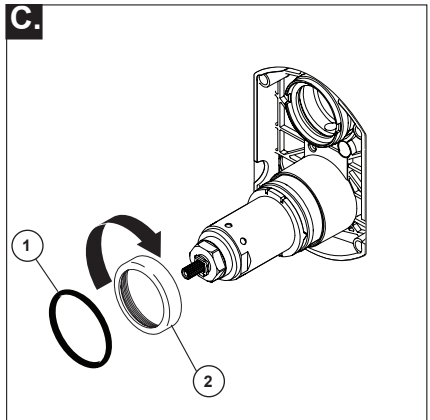


Gire el cartucho de la válvula (1) de manera que la palabra "UP" (2) aparezca en la parte superior. La "H" debe estar en el lado caliente y la "C" debe estar en el lado frío. Agregue lubricante de silicona a las tres juntas tóricas (3) que se muestran arriba para facilitar la instalación del cartucho y retirar del cuerpo de la válvula. Inserte el cartucho en el cuerpo de la válvula como se muestra. Asegúrese de que los dentados en el cuerpo están totalmente encajados en las ranuras en el cuerpo (4). La aplicación de una ligera capa de grasa de plomeros a las juntas tóricas puede facilitar el montaje.

Instalación de dorso con dorso



Solo para las excepciones de dorso con dorso o instalaciones inversas (caliente en la derecha y fría en la izquierda): Gire el cartucho de la válvula (1) de forma que la "H" esté en el lado caliente y la "C" en el lado frío y la palabra "UP" (2) aparece en la parte inferior. Aplique lubricante de silicona en las juntas tóricas mostradas para facilitar la instalación del cartucho y quitar del cuerpo de la tubería preliminar. Instale el cartucho asegurándose de que los dentados están totalmente encajados en la ranura en el cuerpo de la tubería preliminar (véase el paso B). Deslice la junta tórica (3) y la tuerca tapa (4) sobre el cartucho y enrosque en el cuerpo de la tubería preliminar. Apriete con la mano de forma segura.

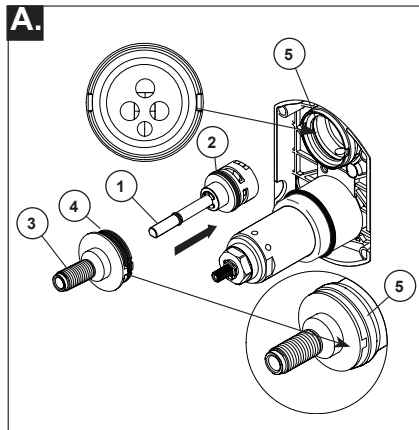


Enrosque la tuerca tapa (2) en el cartucho. Apriete a mano de forma segura. Deslice la junta tórica (1) sobre el cartucho y el casquete.

Instalación de la Series 75

2

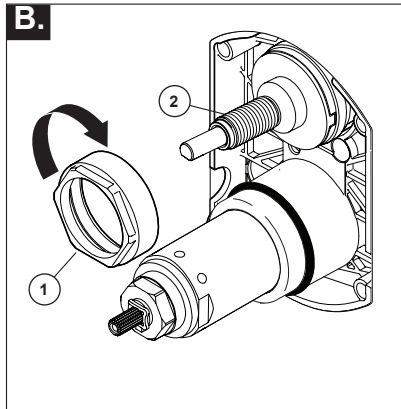
Instalación del cartucho de desvío



PARA LA INSTALACIÓN DEL CARTUCHO DE DESVÍO:
Aplique lubricante de silicona a la junta tórica (2) para facilitar la instalación del cartucho desviador con el casquillo desviador (3).

Gire el cartucho desviador (1) de manera que el pasador esté en la parte inferior para su correcta instalación. Aplique el lubricante de silicona a las juntas tóricas (4) para facilitar la instalación del cartucho desviador con el casquillo desviador (3).

Alinee el casquillo desviador de manera que las muescas estén en la misma posición que las muescas en el cuerpo de la tubería preliminar (5).

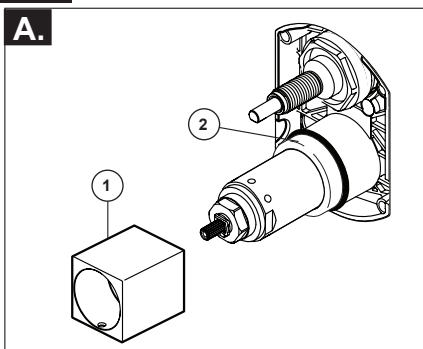


Instalación deslizable

Deslice la tuerca tapa (1) sobre el casquillo desviador (2) y enrosque en el cuerpo de la tubería preliminar. Apriete a mano de forma segura.

3

Instalación del accesorio

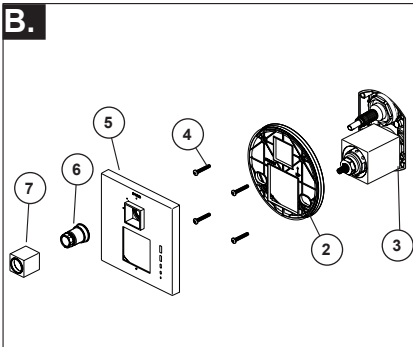


Instalación de la manga de accesorio

Deslice el casquillo de ajuste (1) sobre la tuerca tapa (2) y la junta tórica. Asegúrese de que el casquillo esté colocado correctamente sobre la parte frontal del cartucho con el orificio de acceso del tornillo de ajuste hacia abajo. La junta tórica ayudará a mantener el casquillo fijo en su posición.

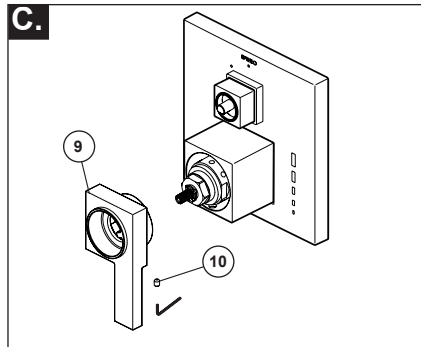
3

Instalación del accesorio



Instalación del chapetón

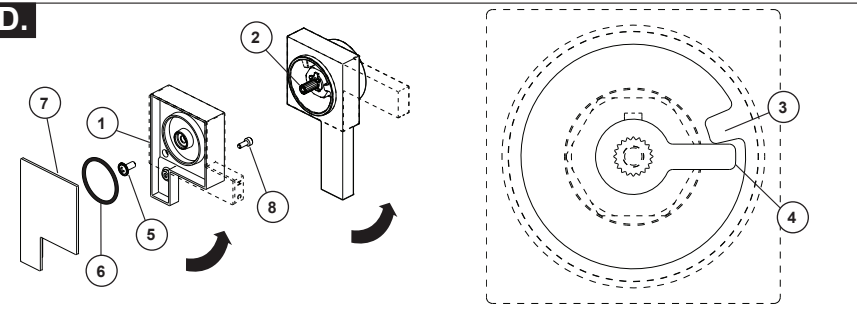
Fije la placa posterior (2) a la tubería interna (3) usando los 4 tornillos (4) provistos. **Nota: asegúrese de que la placa posterior esté orientada hacia adelante y las marcas estén visibles.** Si se instala en una superficie irregular, aplique un sellador apropiado alrededor de la placa posterior para complementar el sello de goma. Alinee los orificios del chapetón (5) con los cartuchos y deslice el chapetón (5) sobre la placa posterior. Fije el chapetón enroscando la tuerca de ajuste (6) en el manguito de desviación. No apriete demasiado. Instale la junta tórica (8) en la tuerca de ajuste, luego deslice el casquillo de ajuste del desviador (7) sobre la tuerca de ajuste. **Para la instalación de paredes gruesas, hay disponible un kit de extensión opcional para acomodar hasta 1" de grosor de pared adicional. Ordene RP100669.**



Instalación de la manija de la válvula

Deslice la manija para el control del volumen (9) sobre el cartucho, alineando las superficies planas dentro de la manija con las superficies planas en los costados del cartucho. La palanca de la manija debe apuntar hacia abajo (6 en punto en el reloj) en la posición cerrada. Asegure la manija con el tornillo de ajuste (10). **Nota: El tornillo de fijación debe comenzarse primero en la manija antes de instalarlo en el cartucho.** A continuación, apriete el tornillo de fijación colocando la llave Allen a través del orificio de acceso del casquillo de ajuste.

Instalación y ajuste de la manija para el control de la temperatura. De no hacerlo pudiera causar lesiones. Por favor, complete los siguientes pasos cuidadosamente.



Ajuste del tope de parada del límite de temperatura

Ajuste del tope de parada del límite de temperatura
Abra los suministros de agua; **DEJE QUE EL AGUA SALGA TOTALMENTE CALIENTE PARA ASEGURAR QUE EL AGUA ESTÉ LO MÁS CALIENTE POSIBLE.** Coloque un termómetro en un vaso plástico y sostenga el vaso bajo el chorro de agua. Alineando las ranuras, coloque la manija de la temperatura (1) en el extremo de la espiga del cartucho (2). Gire la manija hasta que alcance la temperatura máxima deseada (no más de 120° o menos, como lo exige el código de plomería local)

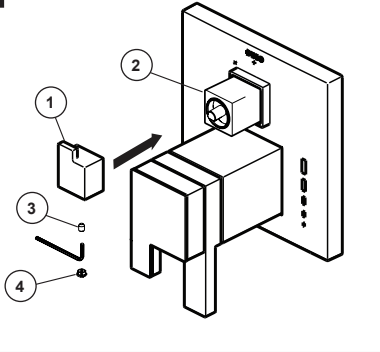
Retire la manija de la temperatura (1). Reemplace la manija en la espiga del cartucho con el tope del límite de la manija (4) contra el tope de la manija del límite del volumen (3), como se muestra. Fije la manija de la temperatura (1) en la espiga de la válvula con el tornillo (5). Asegúrese de que la junta tórica (6) esté armada en la tapa de la manija (7). Instale la tapa de la manija presionándola en su lugar en la parte superior de la manija de la temperatura (1). Fije la tapa apretando el tornillo (8) desde la parte inferior de la manija.

75 Series Installation

3

Instalación del mango desviador

E.



Instalación de la manija desviadora

Inserte la manija desviadora (1) en el casquillo de ajuste (2). Con una llave Allen, inserte el tornillo de ajuste (3) en la manija (1). Aplicando presión, inserte la tapa del tornillo de ajuste (4) hasta que esté correctamente asentada.

4

Pueden producirse escaldaduras o lesiones por choque térmico debido al flujo cruzado si la salida de la ducha o regadera está bloqueada o restringida (ej., Control de pausa en la cabezal de la regadera/ducha). Asegúrese de apuntar la cabeza de la regadera lejos de usted cuando reinicie el flujo o instale las válvulas de retención de entrada en ambas líneas de suministro para evitar posibles lesiones.

No puede recibir más que un chorrillo de agua:

Ambas líneas de suministro de agua fría y la caliente deben estar presurizadas. Si sólo se presuriza un lado, el sistema no permitirá un flujo adecuado de agua.

Filtraciones o fugas desde la cabeza de la regadera o ducha:

Retire la cabeza de la regadera y abra y cierre el agua para verificar si el cartucho está goteando o la cabeza de la regadera está drenando lentamente (si el agua drena lentamente la cabeza de la regadera puede requerir limpieza).

Si la filtración persiste - CIERRE LOS SUMINISTROS DE AGUA. Sustituya el ensamble del cartucho - RP47201.

No puede establecer o mantener la temperatura del agua mezclada:

CIERRE LOS SUMINISTROS DE AGUA. Retire el ensamble de la manija, el manguito de ajuste y la tuerca tapa. Verifique que la marca "H" en el cartucho esté alineada con la entrada del agua caliente y la marca "C" en el cartucho esté alineada con la entrada de agua fría al cuerpo de la válvula. El cartucho termostático no puede funcionar si las entradas calientes y frías están invertidas.

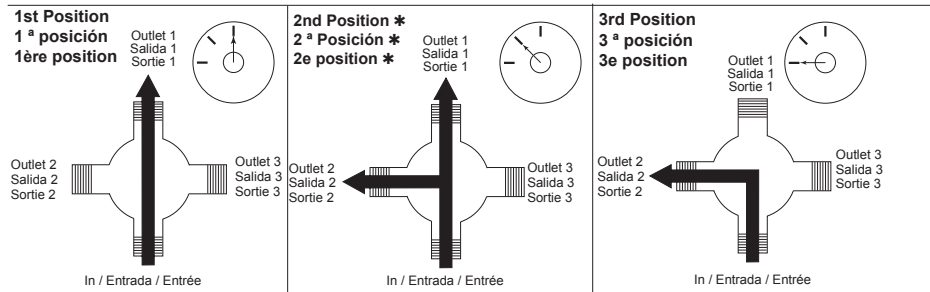
Flujo bajo:

El flujo bajo puede causar que las rejillas se atasquen dentro el cartucho termostático. Para limpiar as rejillas del agua caliente y del agua fría dentro del cartucho siga los pasos a continuación:

1. CIERRE LOS SUMINISTROS DE AGUA.
2. Retire el ensamble de la manija.
3. Desenrosque la porción hexagonal del cartucho de la sección de bronce o latón del cartucho. La sección de bronce debe ser sostenida firmemente por las partes chatas mientras que gira la pieza hexagonal en sentido contrario a las agujas del reloj. Si no se asegura la sección de bronce mientras gira el hexágono, puede dañar el cartucho.
4. Limpie cuidadosamente los residuos de las pantallas bajo el chorro del agua. Si los residuos son difíciles de eliminar, deje en remojo las pantallas durante la noche en una solución de 50% de agua y 50% de vinagre.
5. Vuelva a montar el cartucho.
6. Vuelva a colocar la manija.
7. Vuelva a abrir el agua.
8. Restablezca la parada del límite antes de utilizar la válvula.

Hoja de referencia para la manija desviadora

Water Flow For 3 Function Diverter / Flujo de agua para Desviadores de 3 posiciones / Écoulement de l'eau pour les inverseurs à 3 positions

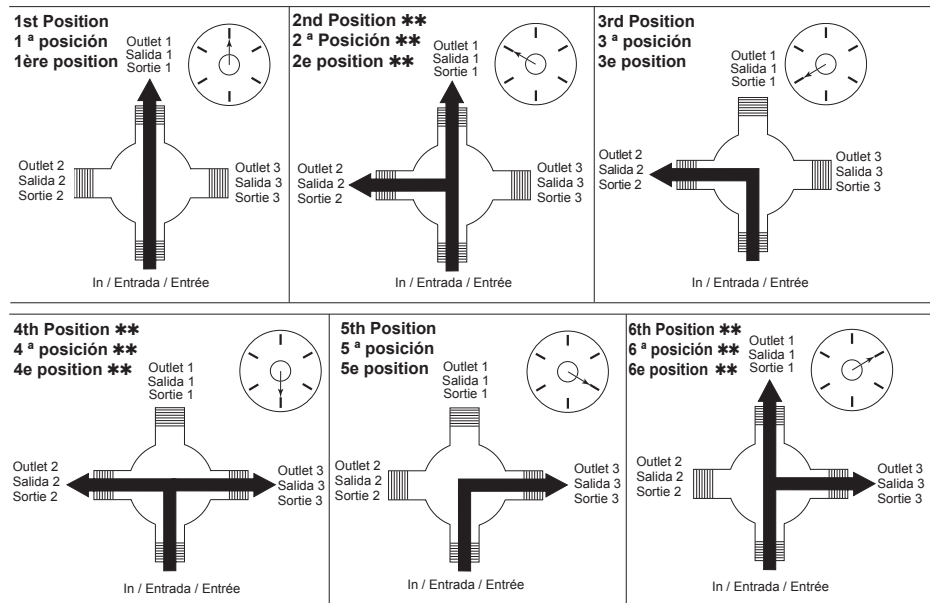


* Shared positions do not exist in non-shared cartridges.

* Los ajustes o posiciones compartidas no existen en los cartuchos no-compartidos.

* Comme leur nom l'indique, les cartouches sans position partagée ne comportent aucune position partagée.

Water Flow For 6 Function Diverter / Flujo de agua para Desviadores de 6 posiciones / Écoulement de l'eau pour les inverseurs à 6 positions



** Shared positions do not exist in non-shared cartridges.

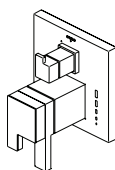
** Los ajustes o posiciones compartidas no existen en los cartuchos no-compartidos.

** Comme leur nom l'indique, les cartouches sans position partagée ne comportent aucune position partagée.

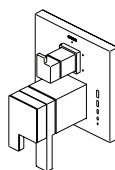
Inscrivez le numéro du modèle acheté ici

Pour installer votre robinet Brizo® facilement, vous devez:

- **LIRE TOUTES** les instructions complètement avant de débiter.
- **LIRE TOUS** les avertissements ainsi que toutes les instructions de nettoyage et d'entretien.



T75580-▲



T75680-▲

Ce dont vous pouvez avoir besoin

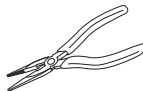
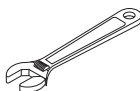
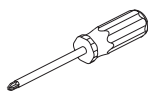


Table des matières:

Garantie	Página 2
Instructions d'installation	Páginas 3 - 6
Maintenance	Página 7

Pour obtenir de l'information sur d'autres pièces de rechange, visitez : www.brizo.com

ATTENTION: Ce système ou cet appareil doit être réglé par l'installateur pour que sa température maximale soit sans danger. Tout changement du réglage peut entraîner une hausse de température au delà de la limite considérée sécuritaire et occasionner l'ébouillantage.

AVIS À L'INSTALLATEUR: ATTENTION! - En qualité d'installateur de cette soupape, vous avez la responsabilité de L'INSTALLER et de la RÉGLER correctement selon les instructions fournies. Cette soupape ne s'adapte pas automatiquement aux fluctuations de la température de l'eau d'alimentation. Par conséquent, il faut régler le bouton de température maximale au moment de l'installation et il peut être nécessaire de faire de nouveaux réglages par la suite en raison des fluctuations saisonnières de la température de l'eau. **VOUS DEVEZ** informer le propriétaire ou l'utilisateur de cette exigence. En cas de doute quant à la marche à suivre pour faire ces réglages, **veuillez consulter la page 5** Si vous avez encore des doutes, veuillez appeler au 1-877-345-BRIZO (2749).

Après avoir terminé l'installation et le réglage, vous devez inscrire, sur l'étiquette de mise en garde fournie, votre nom, le nom de votre entreprise et la date à laquelle vous avez réglé le bouton de température maximale, puis fixer l'étiquette à l'endos de la porte de la coiffeuse. Vous

devez également fixer l'étiquette d'avertissement au chauffe-eau. **Veuillez laisser ce feuillet d'instructions au propriétaire ou à l'utilisateur pour qu'il puisse le consulter au besoin.**

MISE EN GARDE: Ce robinet thermostatique à équilibrage de pression pour baignoire est conçu pour limiter les effets des fluctuations de température de l'eau causées par les variations de la pression d'alimentation attribuables au fonctionnement d'un lave-vaisselle, d'une machine à laver, d'un cabinet d'aisances ou d'un autre appareil qui consomme de l'eau. Il peut ne pas protéger l'utilisateur contre l'échaudage en cas de défectuosité d'un autre dispositif de régulation de la température, de réglage erroné du bouton de température maximale, de modification de la température de l'eau chaude après le réglage du bouton de température maximal ou de fluctuation saisonnière de la température de l'eau d'alimentation.

MISE EN GARDE: N'installez pas de dispositif d'arrêt sur une sortie quelconque de cette soupape. En interrompant l'écoulement de l'eau, ce dispositif peut empêcher la soupape d'équilibrer les pressions d'eau chaude et d'eau froide.

Pour avoir accès à des documents techniques supplémentaires et à de l'information sur le produit, visitez www.brizo.com



www.brizo.com
1-877-345-BRIZO (2749)
brizosupport@brizo.com

Garantie limitée sur les robinets Brizo®

Pièces et finis. Tous les pièces (autres que les composants électroniques et les piles) et les finis de ce robinet Brizo® sont protégés contre les défauts du matériau et les vices de fabrication par une garantie qui est consentie au premier acheteur au détail et qui demeure valide tant que celui-ci demeure propriétaire de la maison dans laquelle le robinet a été installé. En ce qui concerne les acheteurs commerciaux, la période de garantie est de dix (10) ans pour une utilisation dans un immeuble résidentiel multifamilial (appartements et condominiums) et de cinq (5) ans pour toutes les autres utilisations commerciales, à compter de la date d'achat dans chaque cas.

Composants électroniques et piles (le cas échéant). Les composants électroniques (autres que les piles) de ce robinet Brizo® sont protégés contre les défauts du matériau et les vices de fabrication par une garantie consentie au premier acheteur au détail qui est de cinq (5) ans à compter de la date d'achat. En ce qui concerne les acheteurs commerciaux, la période de garantie est d'un (1) an à compter de la date d'achat. **Les piles ne sont pas couvertes par la garantie.**

Ce que nous ferons. Brizo Kitchen and Bath Company réparera ou remplacera gratuitement, pendant la période de garantie applicable (décrite ci-dessus), toute pièce ou tout fini qui présentera une défectuosité de matériau et/ou un vice de fabrication pour autant que le produit ait été installé, utilisé et entretenu normalement. S'il n'est pas utile de réparer ou de remplacer le produit, Brizo Kitchen & Bath Company pourra rembourser le prix d'achat en échange du produit retourné. Il s'agit de vos seuls recours.

Ce qui n'est pas couvert. La présente garantie ne couvre pas les frais de main-d'œuvre encourus par l'acheteur pour la réparation, le remplacement, l'installation ou la dépose du produit. Brizo Kitchen & Bath Company se dégage de toute responsabilité à l'égard de toute détérioration du produit résultant d'une usure raisonnable et des dommages causés par une utilisation à l'extérieur, un mauvais usage (y compris l'utilisation du produit à des fins autres que celles auxquelles il est destiné), le gel de l'eau, un usage abusif, la négligence ou l'utilisation d'une méthode d'installation, de maintenance ou de réparation incorrecte ou inadéquate, y compris les dommages résultant du non-respect des instructions de nettoyage et d'entretien applicables. Brizo Kitchen and Bath Company vous recommande de confier tous les travaux d'installation et de réparation à un plombier professionnel. Nous vous recommandons également d'utiliser uniquement des pièces de rechange Brizo® authentiques.

Ce que vous pouvez faire pour vous prévaloir de la garantie ou obtenir des pièces de rechange. Vous pouvez présenter une réclamation en vertu de la garantie et obtenir des pièces de rechange en appelant au 1-877-345-BRIZO (2749) ou en communiquant avec nous à l'une des adresses postales ou des adresses de courriel indiquées ci-dessous (n'oubliez pas d'indiquer le numéro de modèle et la date d'achat).

Aux États-Unis et au Mexique

Brizo Kitchen and Bath Company
Brizo Customer Solutions
55 E. 111th Street
Indianapolis, IN 46280
<https://www.brizo.com/customer-support/contact-us>

Au Canada:

Masco Canada Limited, Groupe plomberie
Centre de services techniques
350, chemin South Edgeware
St. Thomas (Ontario) Canada N5P 4L1
<https://www.brizo.com/customer-support/contact-us>

La preuve d'achat (original du reçu) du premier acheteur doit être présentée à Brizo Kitchen & Bath Company pour toutes les demandes en vertu de la garantie, sauf si le produit a été enregistré auprès de Brizo Kitchen & Bath Company. La présente garantie s'applique uniquement aux robinets Brizo® installés aux États-Unis d'Amérique, au Canada et au Mexique.

Limitation de la durée des garanties implicites. DANS LA MESURE DE CE QUI EST PERMIS PAR LA LOI, TOUTES LES GARANTIES IMPLICITES, Y COMPRIS LES GARANTIES IMPLICITES DE QUALITÉ MARCHANDE ET D'ADEQUATION À UN USAGE PARTICULIER, SE LIMITENT À LA PÉRIODE FIXÉE PAR LA LOI OU À LA DURÉE DE LA PRÉSENTE GARANTIE, LA PLUS COURTE DES DEUX PÉRIODES S'APPLIQUANT. Dans les États ou les provinces où il est interdit de limiter la durée d'une garantie implicite, les limites susmentionnées ne s'appliquent pas.

Limitation des dommages particuliers, consécutifs ou indirects. BRIZO KITCHEN & BATH COMPANY SE DÉGAGE DE TOUTE RESPONSABILITÉ À L'ÉGARD DES DOMMAGES PARTICULIERS, CONSÉCUTIFS ET INDIRECTS (Y COMPRIS LES FRAIS DE MAIN-D'ŒUVRE POUR LA RÉPARATION, LE REMPLACEMENT, L'INSTALLATION OU LA DÉPOSE DU PRODUIT), PEU IMPORTE QU'ILS DÉCOULENT D'UNE RUPTURE D'UNE GARANTIE IMPLICITE OU EXPLICITE, D'UNE RUPTURE DE CONTRAT, D'UN DÉLIT CIVIL OU D'UNE AUTRE CAUSE. BRIZO KITCHEN & BATH COMPANY SE DÉGAGE DE TOUTE RESPONSABILITÉ À L'ÉGARD DE TOUTE DÉTÉRIORATION DU ROBINET RÉSULTANT D'UNE USURE RAISONNABLE ET DES DOMMAGES CAUSÉS PAR UNE UTILISATION À L'EXTÉRIEUR, UN MAUVAIS USAGE (Y COMPRIS L'UTILISATION DU PRODUIT À DES FINS AUTRES QUE CELLES AUXQUELLES IL EST DESTINÉ), LE GEL DE L'EAU, UN USAGE ABUSIF, LA NÉGLIGENCE OU L'UTILISATION D'UNE MÉTHODE D'INSTALLATION, DE MAINTENANCE OU DE RÉPARATION INCORRECTE OU INADÉQUATE, Y COMPRIS LES DOMMAGES RÉSULTANT DU NON-RESPECT DES INSTRUCTIONS D'INSTALLATION, DE NETTOYAGE, D'ENTRETIEN APPLICABLES. Dans les États ou les provinces où il est interdit d'exclure ou de limiter les dommages particuliers, consécutifs ou indirects, les exclusions ou les limites susmentionnées ne s'appliquent pas. Avis à l'intention des résidents de l'État du New Jersey : Les dispositions de la présente garantie, y compris ses limitations, s'appliquent dans toute la mesure permise par les lois de l'État du New Jersey.

Droits supplémentaires. La présente garantie vous procure des droits particuliers reconnus par la loi. Vous pouvez avoir d'autres droits qui varient selon l'État ou la province.

La présente garantie écrite est la seule garantie offerte par Brizo Kitchen & Bath Company et elle n'est pas transférable.

Si vous avez des questions ou des préoccupations concernant notre garantie, veuillez communiquer avec nous de la manière indiquée ci-dessus ou visiter notre site Web à l'adresse www.brizo.com.

Nettoyage et entretien

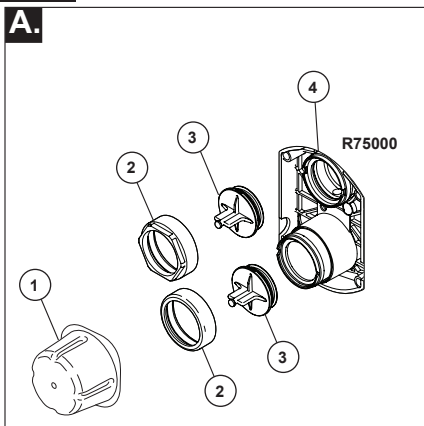
Ce produit doit être nettoyé avec soin. Bien que le fini soit extrêmement durable, il peut être abîmé par des agents de polissage puissants ou des nettoyeurs fortement abrasifs.

Pour le nettoyer, il suffit de le frotter doucement avec un chiffon humide, puis de l'éponger avec une serviette douce.

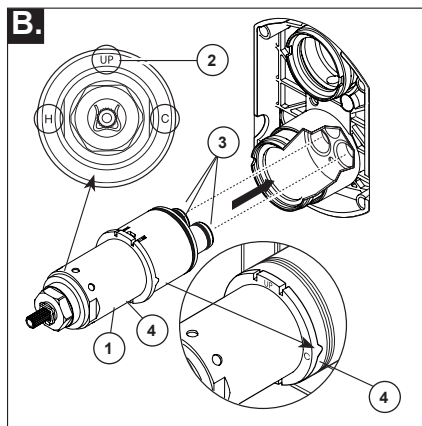
Instructions d'installation - série 75

1

Installation de la cartouche

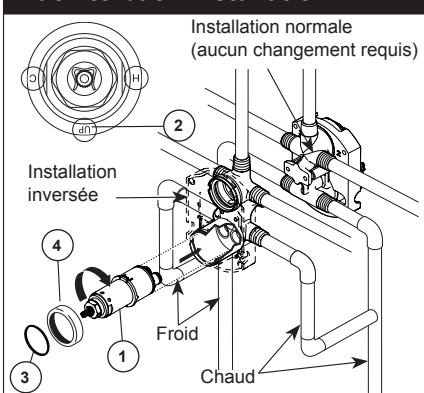


Fermez les robinets d'alimentation. Retirez le capuchon (1), les écrous-chapeaux (2) et les capuchons d'essai (3) du corps de robinetterie brute (4) R75000. Placez un seau ou un petit contenant sur l'avant du corps de soupape et ouvrez lentement les robinets d'arrêt pour évacuer les corps étrangers de la tuyauterie avant d'installer la cartouche. Fermez de nouveau les robinets d'arrêt.



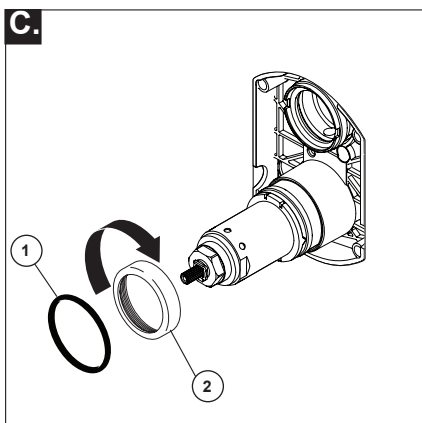
Tournez la cartouche (1) de sorte que la mention « UP » (2) se trouve sur le dessus. La lettre « H » doit se trouver du côté eau chaude et la lettre « C », du côté eau froide. Ajoutez du lubrifiant à base de silicone aux trois joints toriques (3) montrés ci-dessus pour faciliter la pose de la cartouche dans le corps de soupape et sa dépose. Introduisez la cartouche dans le corps de soupape comme le montre la figure. Assurez-vous que les ergots sont parfaitement engagés dans les rainures du corps (4). Vous pouvez enduire les joints toriques d'un peu de graisse de plomberie pour faciliter l'assemblage.

Back to back Installation



Dans le cas d'une installation dos à dos ou inversée (eau chaude à droite et eau froide à gauche) seulement : tournez la cartouche (1) de sorte que la lettre « H » se trouve du côté eau chaude, la lettre « C », du côté eau froide et le mot « UP » (2), vers le bas. Ajoutez du lubrifiant à base de silicone aux trois joints toriques montrés ci-dessus pour faciliter la pose de la cartouche dans le corps de robinetterie brute et sa dépose.

Installez la cartouche en prenant soin d'introduire les ergots entièrement dans les rainures du corps de robinetterie brute (reportez-vous à l'étape B). Glissez le joint torique (3) et l'écrou-chapeau (4) sur la cartouche et vissez-le sur le

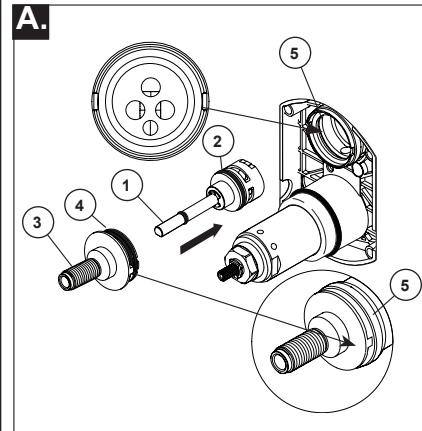


Vissez l'écrou-chapeau (2) sur la cartouche. Serrez à la main solidement. Glissez le joint torique (1) sur la cartouche et le chapeau.

Instructions d'installation - série 75

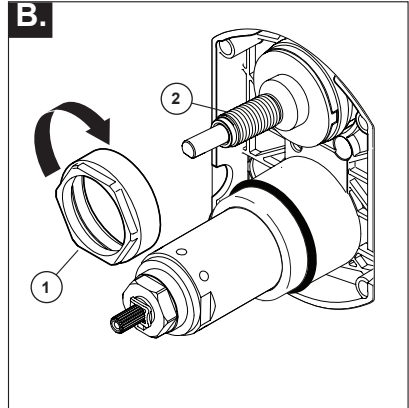
Installation de la cartouche de l'inverseur

2



INSTALLATION DE LA CARTOUCHE DE L'INVERSEUR

Ajoutez du lubrifiant à base de silicone au joint torique (2) pour faciliter la pose du manchon de l'inverseur (3) et la cartouche de l'inverseur. Vous pouvez enduire les joints toriques (4) d'un peu de graisse de plomberie pour faciliter l'assemblage. Tournez la cartouche de l'inverseur (1) en prenant soin de faire correspondre l'ergot de détrompage au bas de la cartouche avec le trou dans le corps de robinet brut. Ajoutez du lubrifiant à base de silicone aux joints toriques (4) pour faciliter la pose du manchon de l'inverseur (3) dans la cartouche de l'inverseur. Installez le manchon de l'inverseur en prenant soin de faire correspondre les encoches avec les rainures dans le corps de robinetterie brute (5).



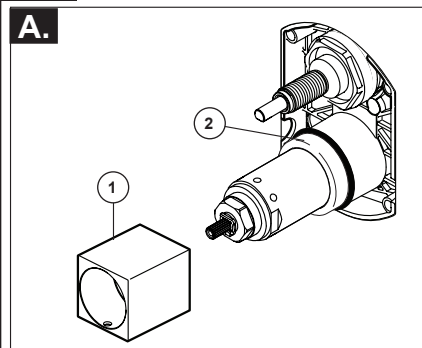
Installation de l'écrou-chapeau

Glissez l'écrou-chapeau (1) sur le manchon de l'inverseur (2) et vissez-le sur le corps de robinetterie brute.

Serrez-le à la main solidement.

3

Installation des garnitures

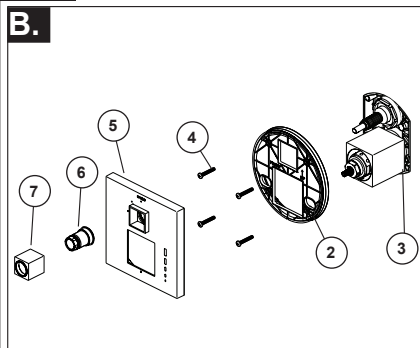


Installation du manchon de finition

Faites glisser le manchon de finition (1) sur l'écrou-chapeau (2) et le joint torique. Assurez-vous que le manchon est positionné correctement sur l'avant de la cartouche et que le trou d'accès de la vis de calage est orienté vers le bas. Le joint torique contribuera à maintenir le manchon de finition solidement en place.

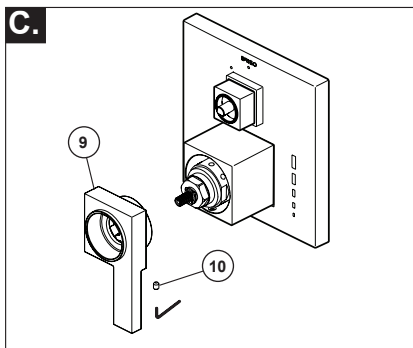
3

Installation des garnitures



Installation de la plaque de finition

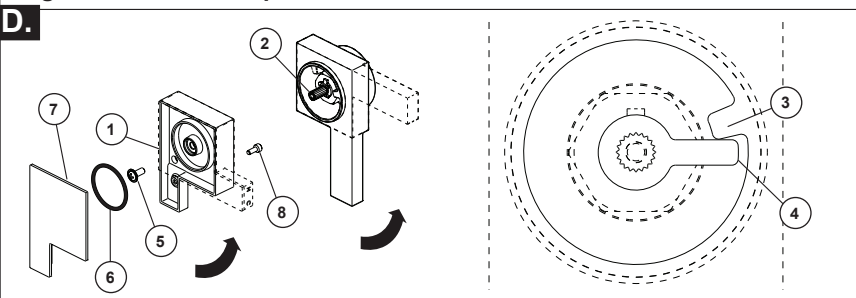
Fixez la plaque arrière (2) au corps de soupape (3) à l'aide des 4 vis (4) fournies. **Note : Assurez-vous que la face avant de la plaque arrière est orientée vers l'avant et que les inscriptions sont visibles.** Si vous montez la plaque arrière sur une surface inégale, appliquez du composé d'étanchéité autour de celle-ci pour combler les vides laissés par la garniture en caoutchouc. Faites correspondre les trous dans la plaque de finition (5) avec les cartouches et faites glisser la plaque de finition (5) sur la plaque arrière. Fixez la plaque de finition en vissant l'anneau de finition (6) sur le manchon de l'inverseur. Prenez garde de trop serrer. Montez le joint torique (8) sur l'écrou de finition, puis faites glisser le manchon de finition de l'inverseur (7) sur l'écrou de finition. **Une trousse de rallonge optionnelle procurant 1 po supplémentaire est offerte pour l'installation dans un mur épais. Commandez la trousse RP100669.**



Installation de la manette de la soupape

Faites glisser la manette de débit (9) sur la cartouche en prenant soin de faire correspondre les méplats à l'intérieur de celle-ci avec les méplats sur les côtés de la cartouche. Le levier de la manette doit pointer vers le bas (6 heures) lorsque la soupape est fermée. Fixez la manette avec la vis de calage (10). **Note : Vous devez insérer la vis de calage et la serrer un peu avant de monter la manette sur la cartouche.** Serrez ensuite la vis de calage en introduisant une clé Allen dans le trou d'accès du manchon de finition.

Installation et réglage de la manette de température. Il y a risque de blessure si la manette de température n'est pas réglée. Veuillez suivre soigneusement les étapes suivantes.



Réglez la butée de température maximale

Ouvrez les arrivées d'eau. LAISSEZ COULER L'EAU CHAUDE À FOND JUSQU'À CE QU'ELLE SOIT AUSSI CHAUDE QUE POSSIBLE. Placez un thermomètre dans un gobelet en plastique et tenez le gobelet sous le jet d'eau. Faites correspondre les cannelures et placez la manette de réglage de température (1) sur l'extrémité de la tige de la cartouche (2). Tournez la manette jusqu'à ce que la température maximale voulue soit atteinte (120 °F/49 °C ou moins selon le code de plomberie de votre région). Retirez la manette de réglage de température

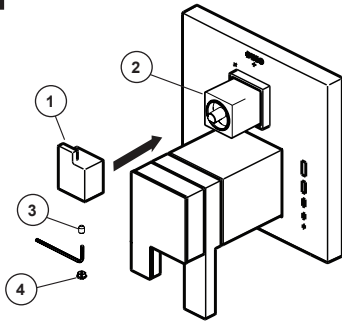
(1). Remplacez la manette sur la tige de la cartouche de manière que la butée de la manette (4) se trouve contre la butée de la manette de réglage de débit (3) comme le montre la figure. Fixez la manette de réglage de température (1) sur la tige de la soupape avec la vis (5). Assurez-vous que le joint torique (6) se trouve sur le capuchon de manette (7). Montez le capuchon de manette en plaçant sur le dessus de la manette de réglage de température (1) et en exerçant une pression. Fixez le capuchon en serrant la vis (8) par-dessous la manette.

75 Series Installation

3

Installation des garnitures

E.



Installation de la manette de l'inverseur

Placez la manette d'inverseur (1) sur le manchon de finition (2). À l'aide d'une clé Allen, insérez et vissez la vis de calage (3) dans la manette (1). Insérez le capuchon de la vis de calage (4) en exerçant une pression jusqu'à ce qu'il soit bien calé.

4

Possibilité d'ébouillantage ou de choc thermique pouvant causer des lésions en raison d'une inversion de la circulation de l'eau si la sortie de la douche est bloquée ou restreinte (p. ex. : circulation bloquée par la commande d'arrêt sur la pomme de douche). Avant d'ouvrir le robinet, déplacez la pomme de douche pour ne pas vous faire arroser. Vous pouvez également installer des clapets de non-retour sur les deux tuyaux d'alimentation pour éliminer les risques de blessures.

L'eau ne s'écoule qu'en un mince filet :

Les conduites d'eau chaude et d'eau froide doivent être toutes les deux sous pression. Si seulement un côté est sous pression, le débit d'eau à la sortie du système sera insuffisant.

La pomme de douche fuit : Retirez la pomme de douche, puis ouvrez et fermez les robinets d'arrêt et vérifiez si la cartouche fuit ou si la pomme de douche se vide lentement (la pomme de douche peut avoir besoin d'un nettoyage si elle se vide lentement).

Si la fuite persiste - FERMEZ LES ROBINETS D'ARRÊT. Remplacez la cartouche - RP47201.

Incapacité de régler ou de maintenir la température de l'eau mitigée :

FERMEZ LES ROBINETS D'ARRÊT. Retirez la manette, le manchon de finition et l'écrou-chapeau. Assurez-vous que la lettre « H » qui figure sur la cartouche est orientée vers l'entrée d'eau chaude et que la lettre « C » est orientée vers l'entrée d'eau froide du corps de soupape. La cartouche thermostatique ne fonctionnera pas si l'entrée d'eau chaude et l'entrée d'eau froide sont inversées.

Faible débit :

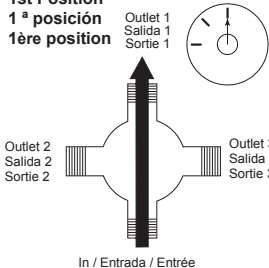
Un faible débit peut être attribuable à des filtres métalliques obstrués à l'intérieur de la cartouche thermostatique. Pour nettoyer les filtres métalliques d'eau chaude et d'eau froide à l'intérieur de la cartouche, suivez les étapes suivantes :

1. FERMEZ LES ROBINETS D'ARRÊT.
2. Enlevez la manette.
3. Dévissez la partie hexagonale de la cartouche de la section en laiton de la cartouche. Tenez solidement la section en laiton par les méplats pendant que vous tournez la partie hexagonale dans le sens antihoraire. Si vous ne tenez pas la section en laiton assez solidement, la cartouche risque d'être endommagée.
4. Nettoyez soigneusement les filtres métalliques en faisant couler de l'eau au travers pour évacuer les saletés. Si les saletés sont difficiles à enlever, faites tremper les filtres métalliques toute la nuit dans une solution composée à parts égales d'eau et de vinaigre.
5. Remontez la cartouche.
6. Remontez la manette.
7. Ouvrez les robinets d'arrêt.
8. Remettez la butée de température maximale à sa position initiale avant d'utiliser le robinet.

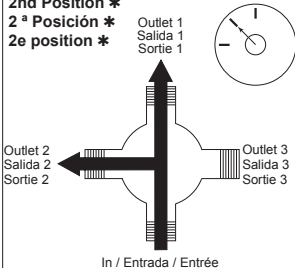
Feuille de référence de la poignée de déviation

Water Flow For 3 Function Diverter / Flujo de agua para Desviadores de 3 posiciones / Écoulement de l'eau pour les inverseurs à 3 positions

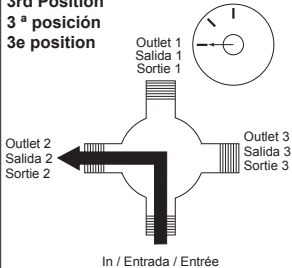
1st Position
1^a posición
1ère position



2nd Position *
2^a Posición *
2e position *



3rd Position
3^a posición
3e position



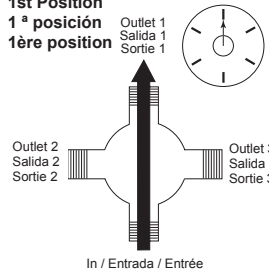
* Shared positions do not exist in non-shared cartridges.

* Los ajustes o posiciones compartidas no existen en los cartuchos no-compartidos.

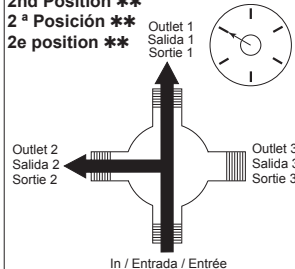
* Comme leur nom l'indique, les cartouches sans position partagée ne comportent aucune position partagée.

Water Flow For 6 Function Diverter / Flujo de agua para Desviadores de 6 posiciones / Écoulement de l'eau pour les inverseurs à 6 positions

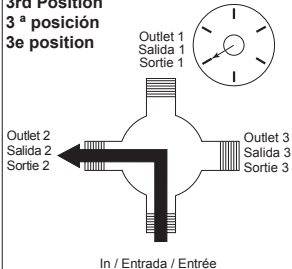
1st Position
1^a posición
1ère position



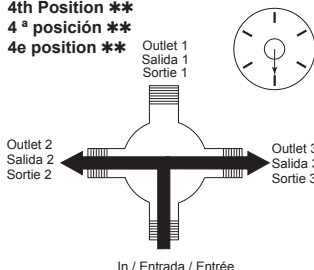
2nd Position **
2^a Posición **
2e position **



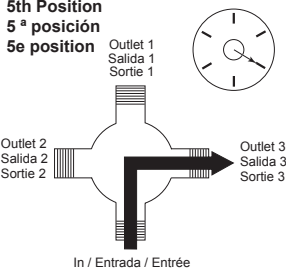
3rd Position
3^a posición
3e position



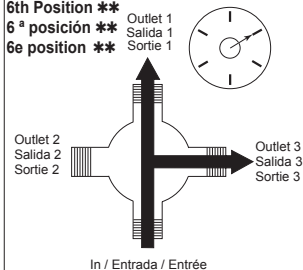
4th Position **
4^a posición **
4e position **



5th Position
5^a posición
5e position



6th Position **
6^a posición **
6e position **



** Shared positions do not exist in non-shared cartridges.

** Los ajustes o posiciones compartidas no existen en los cartuchos no-compartidos.

** Comme leur nom l'indique, les cartouches sans position partagée ne comportent aucune position partagée.

Brizo Kitchen & Bath Company
Product Service
55 E. 111th Street
Indianapolis, IN 46280