

BRIZO®

IMPORTANT DOCUMENTS ENCLOSED

CAUTION:

To reduce the risk of injury due to hot water burns, make sure the enclosed labels are applied where specified on the label.

DOCUMENTOS IMPORTANTES INCLUIDOS

AVISO:

Para reducir el riesgo de lesión por quemaduras de agua caliente, asegúrese que las etiquetas incluidas se han aplicado donde se ha especificado en la etiqueta.

DOCUMENTS IMPORTANTS À L'INTÉRIEUR

MISE EN GARDE :

Pour réduire le risque d'ébouillantage, veuillez apposer les étiquettes fournies aux endroits indiqués sur celles-ci.

NOTICE TO INSTALLER: Place this label on the water heater next to the temperature adjustment knob.

WARNING:

This series of tub/shower valves does not adjust automatically for changes in temperature at the hot water heater or inlet. If the temperature setting of the hot water heater or inlet is changed, the setting on these valves must be adjusted manually! Failure to re-adjust the valve may result in hot water burns or extreme cold resulting from variations in line pressure (such as when a dishwasher or washing machine is in use while you are taking a shower). After installation, verify that the temperature knob on the valve is set so that changes in line pressure or temperature do not result in uncomfortable water temperature changes. **If the temperature setting of the hot water heater or inlet is changed after installation of the valve, the setting of the temperature knob also must be changed!** Consult the installation instruction sheet for instructions on how to make this setting, or call us at 1-877-345-BRIZO.

AVISO AL INSTALADOR: Coloque esta etiqueta en el calentador de agua al lado de la perilla que ajusta la temperatura.

AVISO:

Esta serie de válvulas para bañeras/regaderas no se ajusta automáticamente a los cambios de temperatura en el calentador de agua o del agua de entrada. ¡Si el ajuste de temperatura del calentador de agua caliente o del agua de entrada, el ajuste en estas válvulas debe ajustarse manualmente! El no reajustar la válvula puede resultar en quemaduras por agua caliente o temperaturas de agua extremadamente frías resultando en variaciones de presión y temperatura (como cuando el fregador de platos o la lavadora están funcionando mientras que se baña). Después de la instalación, verifique que la perilla para el control de la temperatura en la válvula está ajustada para que cambios de presión y de temperatura en la línea no resulten en cambios de temperatura del agua incómodos. **Si el ajuste de la temperatura del calentador de agua o de la entrada de agua se cambia después de la instalación de la válvula, la perilla que ajuste la temperatura también se debe cambiar!** Consulte con su hoja de instrucciones de instalación para saber como se ajusta o cambia el ajuste o llámenos al 1-877-345-BRIZO.

AVIS À L'INSTALLATEUR : Placez cette étiquette sur le chauffe-eau, près du bouton de réglage de température.

AVERTISSEMENT:

La soupape de robinet de baignoire ou de douche de cette série ne se règle pas automatiquement en fonction des changements de température de l'eau chaude au chauffe-eau ou de l'eau d'alimentation. En cas de modification du réglage de température du chauffe-eau ou de la température de l'eau d'alimentation, le réglage de ces soupapes doit être modifié manuellement! Si le réglage de la soupape n'est pas modifié, le robinet pourra permettre l'écoulement d'eau très chaude susceptible de causer l'ébouillantage ou d'eau très froide, sous l'effet des variations de pression et de température dans la tuyauterie d'alimentation (lorsque la douche est utilisée en même temps que la lave-vaisselle ou la machine à laver, par exemple). Après l'installation, assurez-vous que le bouton de température sur la soupape est réglé de manière que les fluctuations de pression et de température dans la tuyauterie d'alimentation n'entraînent pas de changements de température de l'eau inconfortables. **En cas de modification du réglage de température du chauffe-eau ou de la température de l'eau d'alimentation après l'installation de la soupape, le réglage du bouton de température doit être modifié!** Pour régler le bouton de température, consultez la feuille d'instructions d'installation ou appelez-nous au 1-877-345-BRIZO.

NOTICE TO INSTALLER: Place this label close to the valve where the owner will see it, such as inside the door of a cabinet or vanity.

WARNING:

Water temperature changes due to seasonal or other inlet variations, such as changing the setting on the hot water heater may require adjustment of the temperature knob on your tub/shower valve to ensure a safe maximum temperature. This valve series does not automatically adjust for inlet temperature changes. If changes occur and you are not sure how to make the necessary temperature knob adjustments, please consult the installation instruction sheet provided with this valve or call 1-877-345-BRIZO. This valve is designed to reduce the risk of injury due to inlet pressure or temperature changes, commonly caused by dishwashers, washing machines, toilets and the like. **It may not provide protection from hot water burns when there is a failure of other temperature controlling devices elsewhere in the plumbing system.** After making the necessary adjustments please fill in the information below. This valve/system has been set by the person listed below to help ensure a safe maximum temperature. Any change in the setting may raise the temperature of the water coming out of the shower or bath above the limit considered safe and could lead to hot water burns. If this label has not been completed, you should verify that the temperature knob has been properly adjusted to suit your individual installation. The installation instruction sheet supplied with the valve provides information on how to make this setting.

AVISO AL INSTALADOR: Coloque esta etiqueta cerca de la válvula donde el propietario la pueda ver, tal como dentro de la puerta del gabinete o el tocador.

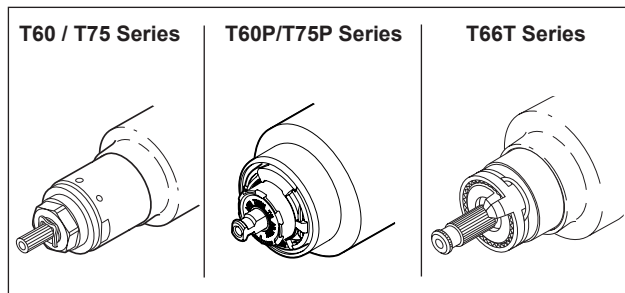
AVISO:

Los cambios de temperatura del agua por variaciones estacionales u otras variaciones en el agua de entrada, como cambiando el ajuste en el calentador de agua pueden requerir el ajuste de la perilla para el control de la temperatura de su unidad bañera/regadera para ayudar a asegurar una temperatura máxima segura. Este válvulas no se ajusta automáticamente a cambios de temperatura en el agua de admisión. Si los cambios ocurren y usted no está seguro como hacer los ajustes necesarios con la perilla para controlar la temperatura, por favor consulte la hoja de instrucciones de instalación proporcionada con esta válvula o llámenos al 1-877-345-BRIZO. Esta válvula está diseñada para reducir el riesgo de lesión por cambios de temperatura del agua que entra o por los cambios de presión del agua que comúnmente son causados por los usos simultáneos de fregadoras de platos, lavadoras, sanitarios y aparatos similares. **Pueda no proporcionar protección de quemaduras por el agua caliente cuando hay una falla de otros mecanismos que controlan la temperatura del agua en otro sitio del sistema de plomería.** Después de hacer los ajustes necesarios, por favor escriba la información a continuación. Esta válvula/sistema ha sido ajustada por la persona indicada a continuación para ayudar a asegurar una temperatura máxima segura. Cualquier cambio al ajuste puede aumentar la temperatura del agua que sale de la ducha o el baño sobre el límite considerado seguro y puede resultar en quemaduras por el agua caliente. Si esta etiqueta no se a llenado, debe verificar si la perilla para el control de la temperatura hay sido correctamente ajustada para al gusto de su instalación individual. La hoja de instrucciones de instalación proporcionada con las válvulas le suministra información sobre como hacer esto.

AVIS À L'INSTALLATEUR : Placez cette étiquette près de la soupape à un endroit où le propriétaire pourra la voir, du côté intérieur de la porte de l'armoire ou du meuble par exemple.

AVERTISSEMENT:

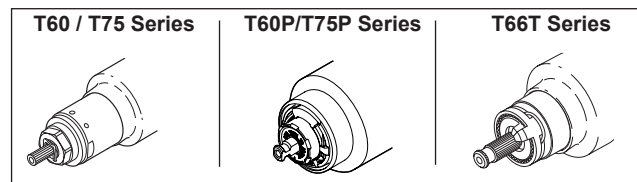
La température de l'eau peut varier en raison des changements de saison, d'une modification du réglage du chauffe-eau ou d'autres changements. Par conséquent, un réglage du bouton de température de votre soupape de douche ou de baignoire peut s'imposer pour que la température maximale de l'eau demeure sécuritaire. Les soupapes de cette série ne s'ajustent pas automatiquement aux changements de température de l'eau d'alimentation. Si des changements vous obligent à régler le bouton de température et vous n'êtes pas certain de la marche à suivre, veuillez consulter le feuillet d'instructions fourni avec la soupape ou appeler au 1-877-345-BRIZO. Cette soupape est conçue pour réduire les risques de blessures causées par des changements de la température ou de la pression de l'eau d'alimentation habituellement causés par le lave-vaisselle, la machine à laver, une toilette ou un autre appareil qui consomme de l'eau. **Elle peut ne pas assurer de protection contre l'ébouillantage en cas de défectuosité d'un autre dispositif de régulation de la température dans la tuyauterie. Après avoir effectué le réglage nécessaire, veuillez inscrire l'information requise ci-dessous.** La personne dont le nom figure ci-dessous a réglé cette soupape pour qu'elle puisse maintenir une température maximale sécuritaire. Toute modification du réglage peut entraîner une élévation de la température de l'eau s'écoulant par la douche ou dans la baignoire au delà de la limite considérée sécuritaire, ce qui pourrait causer un ébouillantage. Si cette étiquette n'a pas été remplie, vous devriez vous assurer que le bouton de température a été réglé en fonction des caractéristiques de votre installation. Le feuillet d'instruction fourni avec la soupape indique la marche à suivre pour effectuer le réglage.



BRIZO®

TO BE FILLED OUT BY THE INSTALLER / PARA SER LLENADO POR EL INSTALADOR / A REMPLIR PAR L'INSTALLATEUR:

BY/POR/PAR _____ COMPANY/COMPANIA/COMPAGNIE _____
DATE/FECHA/LE _____ PHONE/TELÉFONO/TELÉPHONE _____



BRIZO®

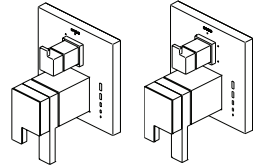
T75580▲

T75680▲

▲Specify Finish

Register Online
www.brizo.com/customer-support/product-registration

To reference replacement parts and access additional technical documents and product info, visit www.brizo.com



T75580▲

T75680▲



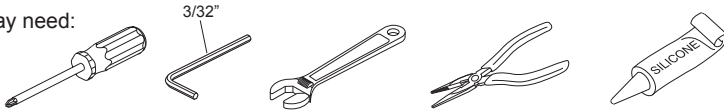
1-877-345-BRIZO (2749)
www.brizo.com/customer-support

Read all instructions prior to installation.

CAUTION

Failure to read these instructions prior to installation may result in personal injury, property damage, or product failure. Manufacturer assumes no responsibility for product failure due to improper installation.

You may need:



CAUTION: This system/device must be set by the installer to ensure safe, maximum temperature. Any change in the setting may raise the discharge temperature above the limit considered safe and may lead to hot water burns.

NOTICE TO INSTALLER: CAUTION!—As the installer of this valve, it is your responsibility to properly **INSTALL** and **ADJUST** this valve per the instructions given. This valve does not automatically adjust for inlet temperature changes, therefore, someone must make the necessary temperature knob adjustments at the time of installation and further adjustments may be necessary due to seasonal water temperature change. **YOU MUST** inform the owner/user of this requirement by following the instructions. If you or the owner/user are unsure how to properly make these adjustments, please refer to page 5 and if still uncertain, call us at 1-877-345-BRIZO (2749).

After installation and adjustment, you must affix your name, company name and the date you adjusted the temperature knob to the caution label provided and apply or attach the label to the back

side of the closest cabinet door and the warning label to the water heater. **Leave this Instruction Sheet for the owner's/user's reference.**

WARNING: This thermostatic bath valve is designed to minimize the effects of outlet water temperature changes due to inlet pressure and temperature changes, commonly caused by dishwashers, washing machines, toilets and the like. It may not provide protection from hot water burns when there is a failure of other temperature controlling devices elsewhere in the plumbing system, if the temperature knob is not properly set or if the hot water temperature is changed after the settings are made or if the water inlet changes due to seasonal changes.

WARNING: Do not install a shut-off device on either outlet of this valve. When this type of device shuts off the water flow, it can defeat the ability of the valve to balance the hot and cold water pressures.

Limited Warranty on Brizo® Faucets

Parts and Finish. All parts (other than electronic parts, air switch power modules, batteries, and parts not supplied by Brizo Kitchen and Bath Company) and finishes of Brizo® faucets purchased from authorized Brizo sellers are warranted to the original consumer purchaser to be free from defects in material and workmanship for as long as the original consumer purchaser owns the home in which the faucet was first installed. For commercial purchasers, (a) the warranty period is ten (10) years for multi-family residential applications and (b) five (5) years for all other commercial uses, in each case from the date of purchase. For purposes of this warranty, the term "multi-family residential application" refers to the purchase of the faucet from an authorized Brizo seller by a purchaser who owns but does not live in the residential dwelling in which the faucet is initially installed, such as in a rented or leased single unit or multi-unit detached home (duplex or townhome), or a condominium, apartment building or community living center. The following installations are not considered multi-family residential applications, are excluded from the 10-year warranty, and are subject to the 5-year warranty: industrial, institutional or other business premises, such as a dormitory, hospitality premises (hotel, motel, or extended stay location), airport, educational facility, long- or short-term healthcare facility (hospital, rehabilitation center, nursing, assisted or staged-care living unit), public space or common area.

Electronic Parts and Batteries (if applicable). Electronic parts (other than air switch power modules and batteries), if any, in Brizo® faucets purchased from authorized Brizo sellers are warranted to the original consumer purchaser to be free from defects in material and workmanship for five (5) years from the date of purchase or, for commercial users, for one (1) year from the date of purchase. No warranty is provided on batteries.

Air Switch Power Module. The electronic power module of Brizo® air switches purchased from authorized Brizo sellers is warranted to the original consumer purchaser to be free from defects in material and workmanship for two (2) years from the date of purchase or, for commercial users, for one (1) year from the date of purchase.

What We Will Do. Brizo Kitchen & Bath Company will repair or replace, free of charge, during the applicable warranty period (as described above), any part or finish that proves defective in material and/or workmanship under normal installation, use, and service. Brizo Kitchen & Bath Company may, in its sole discretion, use new, refurbished or recertified parts or products for such repair or replacement. If repair or replacement is not practical, Brizo Kitchen & Bath Company may elect to refund the purchase price in exchange for the return of the product. **These are your exclusive remedies.**

What Is Not Covered. Because Brizo Kitchen and Bath Company is unable to control the quality of Brizo products sold by unauthorized sellers, unless otherwise prohibited by law, this warranty does not cover Brizo products purchased from unauthorized sellers (visit Brizo.com to see a list of our Authorized Online Resellers).

Any labor charges incurred by the purchaser to repair, replace, install or remove this product are not covered by this warranty. Brizo Kitchen & Bath Company shall not be liable for any damage to the product resulting from reasonable wear and tear, outdoor use, misuse (including use of the product for an unintended application), freezing water, abuse, neglect, or improper or incorrectly performed assembly, installation, maintenance or repair, including failure to follow the applicable care and cleaning instructions. Customized components purchased by the consumer or commercial user and installed into a Brizo product, and any damage resulting from removal or improper installation of such components, are not covered by this warranty.

Brizo Kitchen & Bath Company recommends using a professional plumber for all installation and repair of faucets. We also recommend that you use only genuine Brizo® replacement parts.

What You Must Do To Obtain Warranty Service or Replacement Parts. A warranty claim may be made and replacement parts may be obtained by calling 1-877-345-BRIZO (2749) or by contacting us by mail or online as follows (please include your model number and date of purchase):

In the United States and Mexico:

Brizo Kitchen & Bath Company
55 E. 111th Street
Indianapolis, IN 46280
Attention: Warranty Service
<https://www.brizo.com/customer-support/contact-us>

In Canada:

Masco Canada Limited, Plumbing Group
Technical Service Centre
350 South Edgeware Road
St. Thomas, Ontario, Canada N5P 4L1
<https://www.brizo.com/customer-support/contact-us>
Proof of purchase (original sales receipt) from the original purchaser

must be made available to Brizo Kitchen & Bath Company for all warranty claims unless the purchaser has registered the product with Brizo Kitchen & Bath Company. This warranty applies only to Brizo® faucets installed in the United States of America, Canada, and Mexico.

Limitation on Duration of Implied Warranties. Please note that some states/provinces (including Quebec) do not allow limitations on how long an implied warranty lasts, so the below limitations may not apply to you. TO THE MAXIMUM EXTENT PERMITTED BY APPLICABLE LAW, ANY IMPLIED WARRANTY, INCLUDING THE IMPLIED WARRANTIES OF MERCHANTABILITY AND OF FITNESS FOR A PARTICULAR PURPOSE, IS LIMITED TO THE STATUTORY PERIOD OR THE DURATION OF THIS WARRANTY, WHICHEVER IS SHORTER.

Limitation of Special, Incidental or Consequential Damages. Please note that some states/provinces (including Quebec) do not allow the exclusion or limitation of special, incidental, or consequential damages, so the below limitations and exclusions may not apply to you. TO THE MAXIMUM EXTENT PERMITTED BY APPLICABLE LAW, THIS WARRANTY DOES NOT COVER, AND BRIZO KITCHEN & BATH COMPANY SHALL NOT BE LIABLE FOR ANY SPECIAL, INCIDENTAL, OR CONSEQUENTIAL DAMAGES (INCLUDING LABOR CHARGES TO REPAIR, REPLACE, INSTALL OR REMOVE THIS PRODUCT), WHETHER ARISING OUT OF BREACH OF ANY EXPRESS OR IMPLIED WARRANTY, BREACH OF CONTRACT, TORT, OR OTHERWISE. BRIZO KITCHEN & BATH COMPANY SHALL NOT BE LIABLE FOR ANY DAMAGE TO THE FAUCET RESULTING FROM REASONABLE WEAR AND TEAR, OUTDOOR USE, MISUSE (INCLUDING USE OF THE PRODUCT FOR AN UNINTENDED APPLICATION, FREEZING WATER, ABUSE, NEGLIGENCE OR IMPROPER OR INCORRECTLY PERFORMED ASSEMBLY, INSTALLATION, MAINTENANCE OR REPAIR, INCLUDING FAILURE TO FOLLOW THE APPLICABLE INSTALLATION, CARE AND CLEANING INSTRUCTIONS. Notice to residents of the State of New Jersey: The provisions of this warranty, including its limitations, are intended to apply to the fullest extent permitted by the laws of the State of New Jersey.

Additional Rights. This warranty gives you specific legal rights, and you may also have other rights which vary from state/province to state/province.

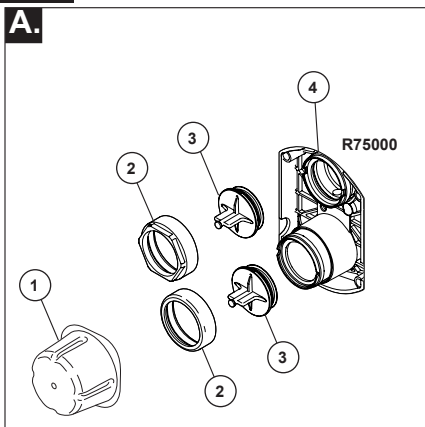
This is Brizo Kitchen & Bath Company's exclusive written warranty, and the warranty is not transferable.

If you have any questions or concerns regarding our warranty, please contact us as provided above or visit our website at www.brizo.com.

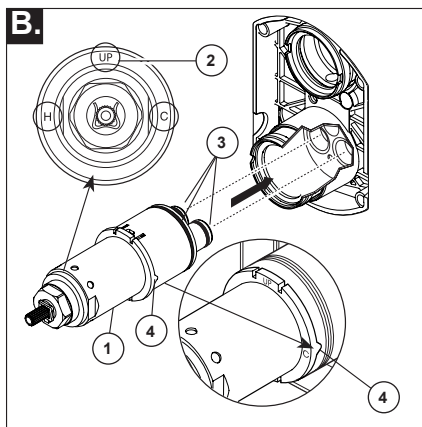
© 2022 Masco Corporation of Indiana

1

Cartridge Installation

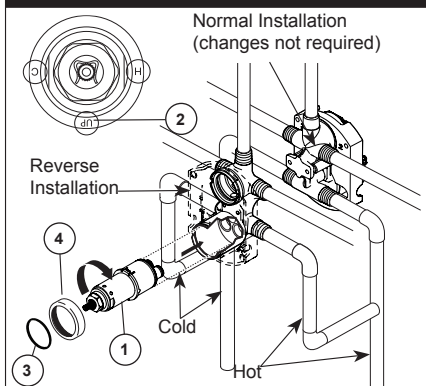


Turn off water supplies. Remove cover (1), bonnet nuts (2) and test caps (3) from the rough-in body (4) R75000. Place a bucket or small container over the front of the valve body and slowly open the water supplies to flush any debris from the supply lines before installing the cartridge. Turn the water supplies back off.

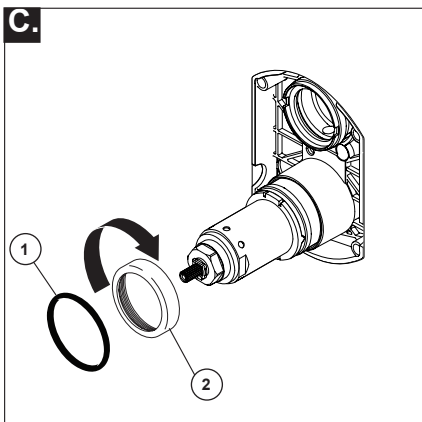


Rotate the valve cartridge (1) so the word "UP" (2) appears on the top. The "H" is on the hot side and the "C" is on the cold side. Add silicone lube to the three o-rings (3) shown above to make the cartridge easier to install and remove from the valve body. Insert cartridge into valve body as shown. Ensure the keys on the body are fully engaged with the slots in the body (4). A light coating of plumbers grease applied to o-rings may aid in assembly.

Back to back Installation



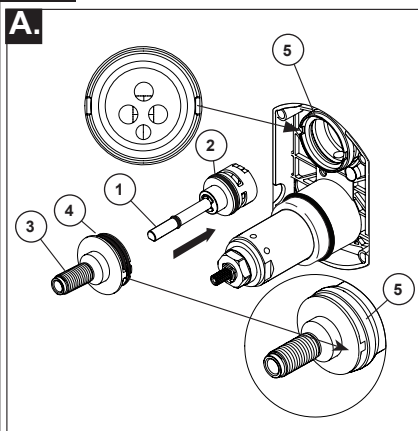
For the exceptions of back to back or reverse installations (hot on right and cold on left) only: Rotate valve cartridge (1) so "H" is on the hot side and "C" is on the cold side and the word "UP" (2) appears on the bottom. Apply silicone lube to the three o-rings shown above to make the cartridge easier to install and remove from the rough-in body. Install the cartridge making sure that the keys are fully engaged with the slot in the rough-in body (see step B). Slide o-ring (3) and bonnet nut (4) over the cartridge and thread onto the rough-in body. Hand tighten securely.



Thread bonnet nut (2) onto cartridge. Hand tighten securely. Slide o-ring (1) over the cartridge and bonnet.

2

Diverter Cartridge Installation



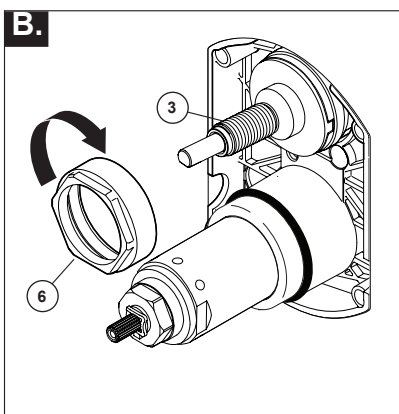
FOR DIVERTER CARTRIDGE INSTALLATION:

Apply silicone lube to the o-ring (2) to make the diverter sleeve (3) easier to install diverter cartridge.

Rotate the diverter cartridge (1) so the pin is at the bottom for proper installation.

Apply silicone lube to the o-rings (4) to make the diverter sleeve (3) easier to install diverter cartridge.

Align diverter sleeve so that the notches are in the same position as the notches on rough-in body (5).

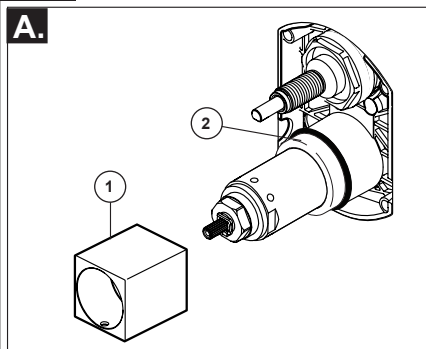


Slip-On Installation

Slide bonnet nut (6) over diverter sleeve (3) and thread into rough-in body. Hand tighten securely.

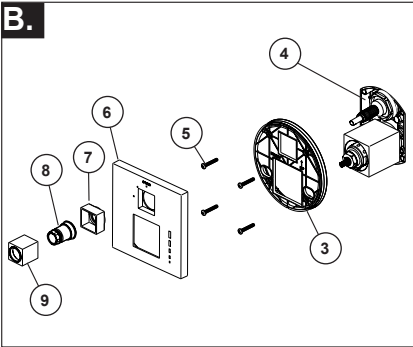
3

Trim Installation



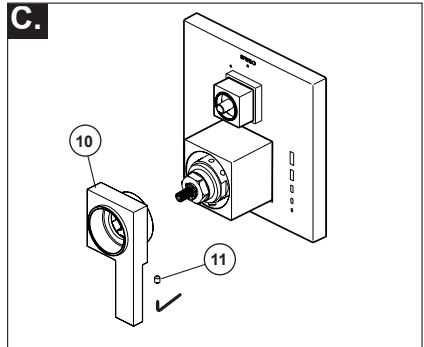
Trim Sleeve Installation

Slide trim sleeve (1) over cartridge, bonnet (2), and O-ring. Ensure sleeve is properly positioned over the cartridge with set screw access hole downward. O-ring will help keep trim sleeve securely in position.



Escutcheon Installation

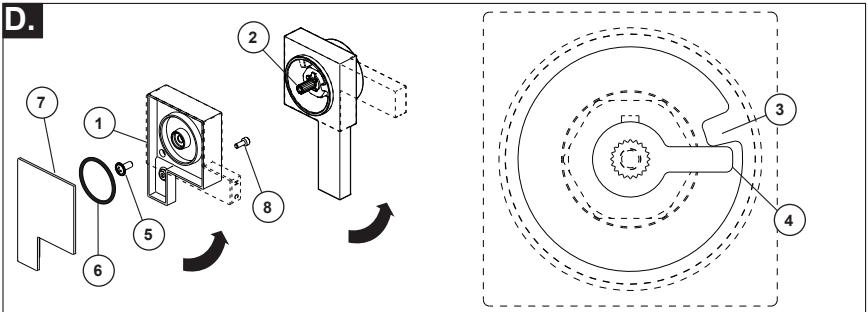
Secure backplate (3) to rough-in body (4) using 4 screws (5) provided. **Note: Be sure backplate is oriented front side forward and markings are visible.** If mounting to an uneven surface, apply appropriate sealant around the backplate to supplement rubber seal. Align holes in escutcheon (6) with cartridges and slide escutcheon (6) onto backplate. Slide sleeve (7) onto escutcheon (6) and secure by threading trim nut (8) onto diverter sleeve. Do not overtighten. Slide diverter base (9) over trim nut (8). **For thick wall installation, an optional extension kit is available to accommodate up to 1" of additional wall thickness. Order RP100669.**



Volume Handle Installation

Slide volume control handle (10) over cartridge, aligning flat surfaces inside handle with flat surfaces on sides of cartridge. Handle lever should point downward (6 o'clock) in the off position. Secure handle with set screw (11). **Note: Set screw should be started in handle before installing onto cartridge.** Then tighten set screw by placing Allen wrench through access hole in trim sleeve.

Installation and Adjustment of the Temperature Handle. Failure to do so may cause injury. Please complete the following steps carefully.



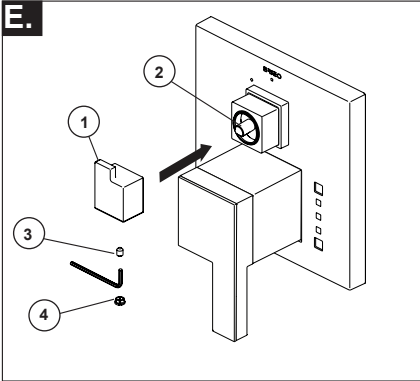
Adjust temperature limit stop

Turn on water supplies; **LET WATER RUN AT FULL HOT TO ENSURE WATER IS AS HOT AS POSSIBLE.** Place a thermometer in a plastic tumbler and hold tumbler in water stream. Aligning the splines, place temperature handle (1) onto end of cartridge stem (2). Rotate handle until desired maximum temperature is achieved (not more than 120° or lower, as mandated by local plumbing code).

Remove temperature handle (1). Replace handle onto cartridge stem with handle limit stop (4) against volume handle limit stop (3), as shown. Secure temperature handle (1) onto valve stem with screw (5). Ensure O-ring (6) is assembled on handle cap (7). Install handle cap by pressing it into place on top of the temperature handle (1). Secure cap by tightening screw (8) from the underside of the handle.

4

Valve Trim Installation



Diverter Handle Installation

Slide diverter handle (1) onto diverter sleeve (2). Using an allen wrench, insert set screw (3) into handle (1). Applying pressure, insert set screw cover (4) until properly seated.

5

Potential scald or thermal shock injury could result due to cross flow if outlet at the shower is blocked or restricted (e.g., pause control on showerhead). Be sure to point showerhead away from you when re-starting flow or install inlet check valves on both supply lines to prevent possible injury.

Maintenance

Cannot receive more than a trickle of water:

Both hot and cold supply lines must be pressurized. If only one side is pressurized, the system will not allow adequate flow of water.

Faucet leaks from showerhead: Remove the showerhead then turn the water on and off to verify if the cartridge is leaking or the showerhead is draining slowly (the showerhead may need to be cleaned if water drains slowly).

If leak persists -SHUT OFF WATER SUPPLIES
Replace cartridge assembly - RP47201.

Unable to set or maintain mixed water temperature:

SHUT OFF WATER SUPPLIES. Remove handle assembly, trim sleeve, and bonnet nut. Check to make sure the "H" marking on the cartridge aligns with the hot inlet and the "C" marking on the cartridge aligns with the cold inlet to the valve body. The thermostatic cartridge cannot function if hot and cold inlets are reversed.

Low flow:

Low flow may be caused by clogged screens within the thermostatic cartridge. To clean the hot and cold screens in the cartridge, follow the steps below:

1. SHUT OFF WATER SUPPLIES.
2. Remove the handle assembly.
3. Unscrew the hex shaped portion of the cartridge from the brass section of the cartridge. the brass section must be held securely by the flats while the hex is rotated counter-clockwise. Failure to secure the brass section while rotating the hex can result in damage to the cartridge.
4. Carefully clean any debris from the screens under running water. If the debris is difficult to remove then soak the screens overnight in a 50% water and 50% vinegar solution.
5. Reassemble the cartridge.
6. Replace the handle.
- 7 Turn the water back on.
8. Reset the limit stop before using the valve.

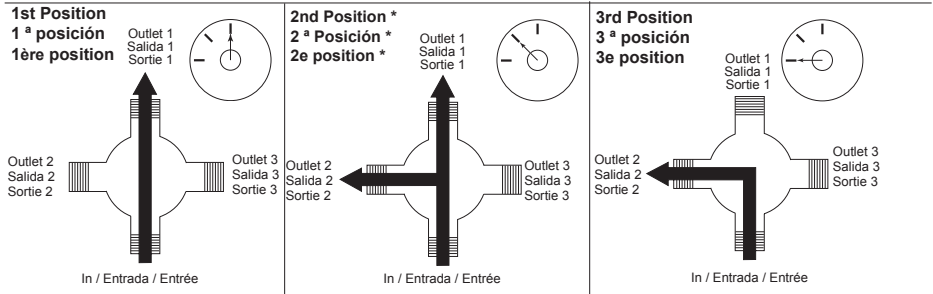
Cleaning and Care

Care should be given to the cleaning of this product. Although its finish is extremely durable, it can be damaged by harsh abrasives or polish.

To clean, simply wipe gently with a damp cloth and blot dry with a soft towel.

Diverter Handle Reference Sheet

Water Flow For 3 Function Diverter / Flujo de agua para Desviadores de 3 posiciones / Écoulement de l'eau pour les inverseurs à 3 positions

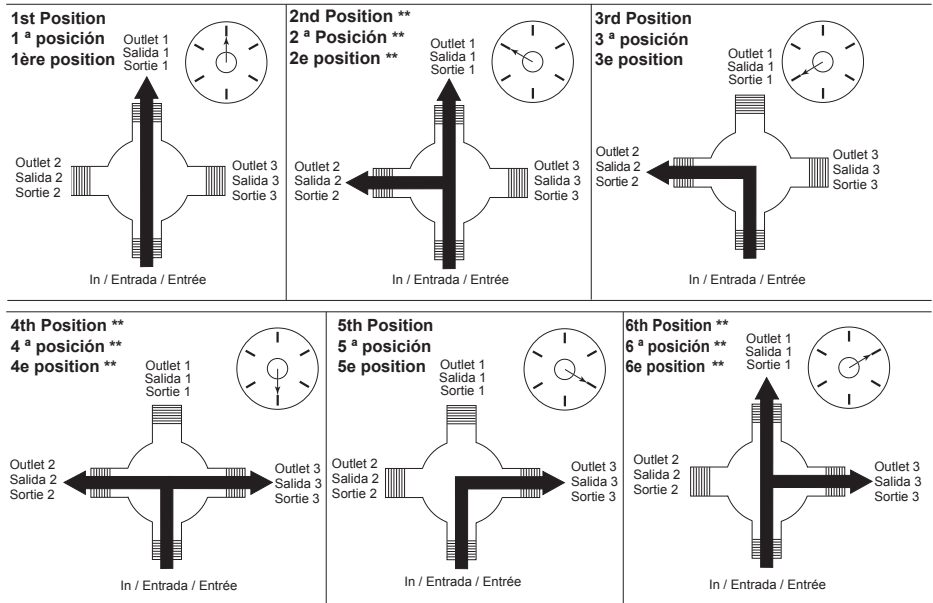


* Shared positions do not exist in non-shared cartridges.

* Los ajustes o posiciones compartidas no existen en los cartuchos no-compartidos.

* Comme leur nom l'indique, les cartouches sans position partagée ne comportent aucune position partagée.

Water Flow For 6 Function Diverter / Flujo de agua para Desviadores de 6 posiciones / Écoulement de l'eau pour les inverseurs à 6 positions



** Shared positions do not exist in non-shared cartridges.

** Los ajustes o posiciones compartidas no existen en los cartuchos no-compartidos.

** Comme leur nom l'indique, les cartouches sans position partagée ne comportent aucune position partagée.

BRIZO®

TempAssure® Thermostatic
Válvula MultiChoice® con
Función integrada de 3 o 6
Accesorios del Desviador

106513

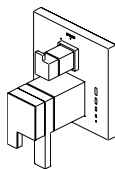
T75580▲

T75680▲

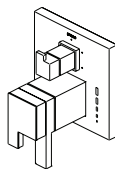
▲ Especifique el Acabado

S'enregistrer en ligne
www.brizo.com/customer-support/product-registration

Pour obtenir la référence des pièces de rechange ainsi que pour avoir accès à d'autres documents techniques et renseignements sur le produit, allez à www.brizo.com



T75580▲



T75680▲



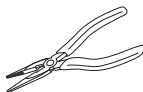
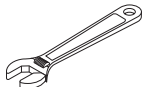
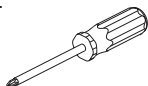
1-877-345-BRIZO (2749)
www.brizo.com/customer-support

Veillez lire toutes les instructions avant l'installation.

⚠ AVERTISSEMENT

L'omission de lire les présentes instructions avant l'installation peut entraîner des blessures, des dommages matériels ou le bris du produit. Le fabricant se dégage de toute responsabilité à l'égard d'un bris du produit causé par une mauvaise installation.

Articles dont vous pouvez
avoir besoin :



ADVERTENCIA: Este sistema/dispositivo debe estar configurado por el instalador para asegurar una temperatura máxima segura. Cualquier cambio en el ajuste puede aumentar la temperatura de descarga por encima del límite considerado seguro y puede resultar en quemaduras por agua caliente.

AVISO PARA EL INSTALADOR: ¡ATENCIÓN! Como el instalador de esta válvula, es su responsabilidad de **INSTALAR y AJUSTAR** correctamente esta válvula según las instrucciones proporcionadas. Esta válvula no se ajusta automáticamente a los cambios de temperatura de entrada, por lo tanto, alguien debe hacer los ajustes necesarios con la perilla de control de temperatura en el momento de la instalación y ajustes adicionales pueden ser necesarios debido a cambios estacionales de la temperatura del agua. **USTED DEBE informar al propietario/ usuario de este requisito siguiendo las instrucciones.** Si usted o el dueño/consumidor no está seguro de como hacer estos ajustes, **consulte la página 5** y si aún tiene duda, llámenos al 1-877-345-BRIZO (2749).

Después de la instalación y el ajuste, debe colocar su nombre, nombre de la empresa y la fecha en que ajustó la perilla de control de la temperatura a la etiqueta de precaución proporcionada y aplique o pegue la etiqueta en

la parte trasera de la puerta del armario más cercano y la etiqueta de advertencia al calentador de agua. **Deje esta hoja de instrucciones para referencia del propietario /usuario.**

ADVERTENCIA: Esta válvula termostática de baño está diseñada para minimizar los efectos de los cambios de temperatura del agua de salida debido a cambios de presión y temperatura, causados habitualmente por los lavaplatos, las lavadoras, los inodoros y otros aparatos similares. Puede no ofrecer protección contra las quemaduras por agua caliente cuando hay un fallo de otros dispositivos para el control de temperatura en otras partes del sistema de plomería, si la perilla para el control de la temperatura no está configurada correctamente o si se cambia la temperatura del agua caliente después de realizar los ajustes o si el agua admisión cambia debido a los cambios estacionales.

ADVERTENCIA: No instale un dispositivo de cierre en cualquiera de las tuberías de salida de agua de esta válvula. Cuando este tipo de dispositivo cierra el flujo del agua, pueda aminorar el propósito de la válvula para balancear las presiones del agua caliente y fría.

Garantía limitada de los grifos Brizo®

Piezas y Acabados. Todas las piezas (excepto los componentes electrónicos, los módulos eléctricos de interruptor de aire, las pilas y partes no suministradas por Brizo Kitchen and Bath Company) y acabados de las llaves de agua/grifo Brizo® comprados de vendedores de Brizo autorizados están garantizados al consumidor comprador original de estar libres de defectos en material y fabricación durante el tiempo que el comprador original sea propietario de la vivienda en la que la llave de agua fue originalmente instalada. Para los usuarios comerciales, (a) el período de garantía es de diez (10) años para aplicaciones en viviendas multifamiliares (apartamentos y condominios y (b) cinco (5) años para todos los demás usos comerciales, en cada caso desde la fecha de compra. Para los propósitos de esta garantía, el término "aplicación multifamiliar residencial" se refiere a la compra del grifo de un vendedor de Brizo autorizado por el comprador propietario, pero que no vive en la vivienda residencial donde inicialmente se instaló la llave de agua, como en una unidad alquilada o arrendada, o unidad o vivienda unifamiliar separada (dúplex o casas adosadas), o un condominio, edificio de apartamentos o centro de vivienda comunitaria. Las siguientes instalaciones no se consideran aplicaciones multifamiliares, están excluidas de la garantía de 10 años y están sujetas a la garantía de cinco años: instalaciones industriales, institucionales u otras instalaciones comerciales, como dormitorios, instalaciones de hotelería (hotel, motel o una alberga para estancias prolongadas), aeropuerto, centro educativo, centro de atención de salud a corto o largo plazo (hospital, centro de rehabilitación, enfermería, unidad de vivienda asistida o una unidad residencial de cuidado), espacio público o área común.

Piezas electrónicas y pilas (si aplicable). Las piezas electrónicas (excepto los módulos de los interruptores de aire y las pilas), si las hay, de esta llave de agua/grifo Brizo® están garantizadas al consumidor comprador original de estar libres de defectos en material y fabricación durante cinco (5) años a partir de la fecha de compra en el caso de los consumidores comerciales, durante un (1) año a partir de la fecha de compra. No ofrecemos garantía en las pilas.

Módulos del interruptor de aire. Los módulos eléctricos de los interruptores de aire Brizo® comprados a vendedores autorizados de Brizo están garantizados al comprador consumidor original estar libres de defectos de material y mano de obra durante dos (2) años a partir de la fecha de compra o, para usuarios comerciales, por uno (1) año desde la fecha de compra.

Lo que haremos. La compañía Brizo Kitchen & Bath Company reparará o reemplazará, sin costo alguno, durante el período de garantía aplicable (como descrito arriba) cualquier pieza o acabado que demuestre estar defectuosa en material y/o fabricación bajo la instalación, el uso y el servicio normal. Si la reparación o el reemplazo no es práctico, Brizo Kitchen & Bath Company puede optar por reembolsarle el precio de compra a cambio de la devolución del producto.

Estos son sus remedios exclusivos.

Lo que no está cubierto. Debido a que Brizo Kitchen and Bath Company no puede controlar la calidad de los productos Brizo vendidos por vendedores no autorizados, a menos que la ley lo prohíba, esta garantía no cubre los productos Brizo comprados a vendedores no autorizados (visite Brizo.com para ver una lista de nuestros revendedores autorizados en línea).

Cualquier cargo por mano de obra incurrido por el comprador para reparar, reemplazar, instalar o desmontar este producto no está cubierto por esta garantía. Brizo Kitchen & Bath Company no será responsable por cualquier daño al grifo que resulte del desgaste razonable, uso en el exterior de la propiedad, uso indebido (incluyendo el uso del producto para una aplicación indebida), agua helada, abuso, negligencia, o instalación, mantenimiento o reparación realizadas incorrectamente, incluyendo el no seguir las instrucciones correspondientes para el cuidado, la limpieza y el mantenimiento. Los componentes personalizados comprados por el consumidor o usuario comercial e instalados en un producto Brizo, y cualquier daño resultante por la extracción o instalación incorrecta de dichos componentes, no están cubiertos por esta garantía.

Brizo Kitchen & Bath Company recomienda que un plomero profesional haga toda la instalación y las reparaciones. También recomendamos que use solo piezas de repuestos originales Brizo®.

Lo que usted debe hacer para obtener servicio de garantía o piezas de repuesto. Puede hacer un reclamo para la garantía y puede obtener piezas de repuesto llamando al 1-877-345-BRIZO (2749) o contactándonos por correo o en línea de la siguiente manera (por favor incluya su número de modelo y fecha de compra):

En Estados Unidos y México:

Brizo Kitchen & Bath Company
55 E. 111th Street
Indianapolis, IN 46280
Atención: Servicio de Garantía
<https://www.brizo.com/customer-support/contact-us>

En Canadá

Masco Canada Limited, Plumbing Group
Technical Service Centre
350 South Edgeware Road
St. Thomas, Ontario, Canada N5P 4L1
<https://www.brizo.com/customer-support/contact-us>

El comprobante de compra (recibo de venta original) del comprador original debe estar disponible a Brizo Kitchen & Bath Company para todos los reclamos de garantía a menos que el comprador haya registrado el producto con Brizo Kitchen & Bath Company. Esta garantía se aplica solo a las llaves de agua/grifos Brizo® instaladas en los Estados Unidos de América, Canadá y México.

La limitación de la duración de las garantías implícitas. Favor tome nota de que algunos estados/provincias (incluyendo Quebec) no permiten limitaciones de la duración de una garantía implícita por lo que las limitaciones a continuación puedan no aplicarse. HASTA EL ALCANCE EN QUE LA LEY LO PERMITA, CUALQUIER GARANTÍA IMPLÍCITA, INCLUIDAS LAS GARANTÍAS IMPLÍCITAS DE COMERCIABILIDAD Y DE IDEONEIDAD PARA UN PROPÓSITO PARTICULAR, ESTÁ LIMITADA AL PERÍODO LEGAL O A LA DURACIÓN DE ESTA GARANTÍA, LO QUE SEA MÁS CORTO.

Limitation of Special, Incidental or Consequential Damages. Favor tome nota de que algunos estados/provincias (incluyendo Quebec) no permiten exclusión o limitación de daños especiales, incidentales o consecuentes, por lo cual las siguientes limitaciones y exclusiones puedan no aplicarse. HASTA EL ALCANCE MÁXIMO EN QUE LA LEY APPLICABLE LO PERMITA, ESTA GARANTÍA NO CUBRE, NI BRIZO KITCHEN & BATH COMPANY SERÁ RESPONSABLE, CUALQUIER DAÑO ESPECIAL, INCIDENTAL O CONSECUENTE (INCLUYENDO LOS GASTOS LABORALES PARA REPARAR, REEMPLAZAR, INSTALAR O DESMONTAR ESTE PRODUCTO), YA SEA EL RESULTADO DEL INCUMPLIMIENTO DE CUALQUIER GARANTÍA EXPRESA O IMPLÍCITA, INCUMPLIMIENTO DE CONTRATO, AGRAVIO O DE CUALQUIER OTRA MANERA. BRIZO KITCHEN & BATH COMPANY NO SERÁ RESPONSABLE POR CUALQUIER DAÑO AL GRIFO COMO RESULTADO DEL DESGASTE RAZONABLE, USO EN EL EXTERIOR DE LA PROPIEDAD, USO INDEBIDO (INCLUYENDO EL USO DEL PRODUCTO PARA UNA APLICACIÓN INDEBIDA), AGUA HELADA, ABUSO, NEGLIGENCIA, ENSAMBLE, INSTALACIÓN, O MANTENIMIENTO INADECUADO O INCORRECTO, INCLUYENDO EL NO SEGUIR LAS INSTRUCCIONES CORRESPONDIENTES PARA EL CUIDADO, LA LIMPIEZA Y EL MANTENIMIENTO. Aviso para los residentes del estado de New Jersey: Las disposiciones de esta garantía, incluyendo las limitaciones, tienen el propósito de aplicarse en la máxima medida permitida por las leyes del estado de New Jersey.

Derechos adicionales. Esta garantía le otorga derechos legales específicos, y también puede tener otros derechos que varían de estado/provincia a estado/provincia.

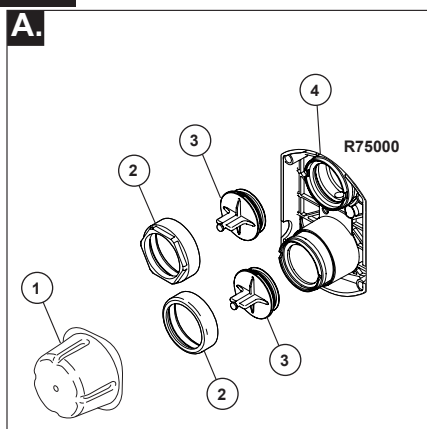
Esta es la garantía escrita exclusiva de Brizo Kitchen & Bath Company y la garantía no es transferible.

Si tiene preguntas o dudas con respecto a nuestra garantía, por favor comuníquese con nosotros como indicado arriba o visite nuestro sitio web www.brizo.com

© 2022 Masco Corporación de Indiana

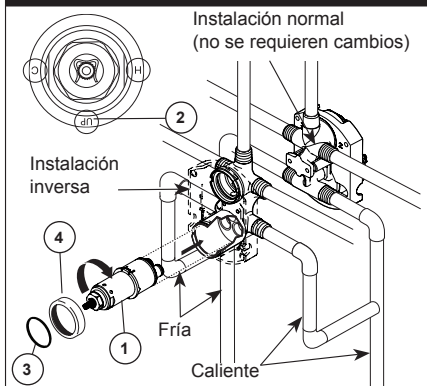
1

Instalación del cartucho



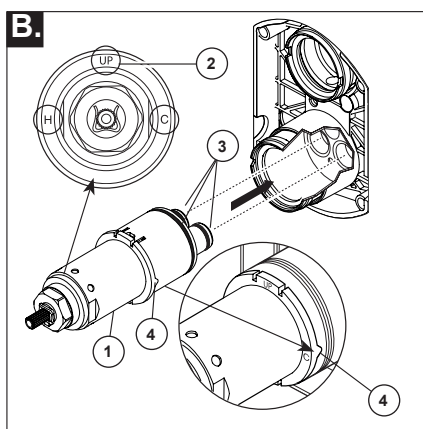
Cierre los suministros de agua. Quite la tapa (1), las tuercas tapas (2) y las tapas de prueba (3) del cuerpo de la tubería preliminar detrás de la pared (4). Coloque una cubeta o recipiente pequeño sobre el frente del cuerpo de la válvula y abra lentamente los suministros de agua para eliminar cualquier residuo de las líneas de suministro antes de instalar el cartucho. Cierre otra vez el agua de suministro.

Instalación de dorso con dorso



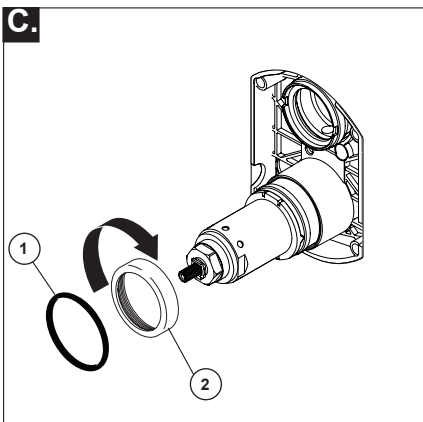
Solo para las excepciones de dorso con dorso o instalaciones inversas (caliente en la derecha y fría en la izquierda): Gire el cartucho de la válvula (1) de forma que la "H" esté en el lado caliente y la "C" en el lado frío y la palabra "UP" (2) aparece en la parte inferior.

Aplice lubricante de silicona en las juntas tóricas mostradas para facilitar la instalación del cartucho y quitar del cuerpo de la tubería preliminar. Instale el cartucho asegurándose de que los dentados están totalmente encajados en la ranura en el cuerpo de la tubería preliminar (véase el paso B). Deslice la junta tórica (3) y la tuerca tapa (4) sobre el cartucho y enrosque en el cuerpo de la tubería preliminar. Apriete con la mano de forma segura.



Gire el cartucho de la válvula (1) de manera que la palabra "UP" (2) aparezca en la parte superior. La "H" debe estar en el lado caliente y la "C" debe estar en el lado frío.

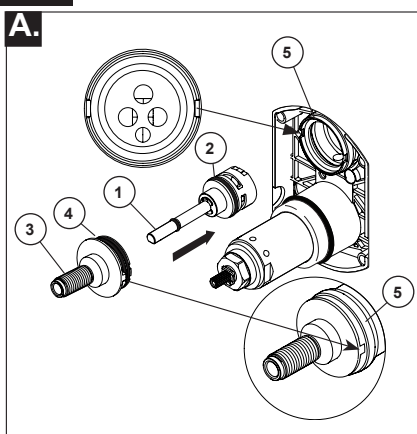
Agregue lubricante de silicona a las tres juntas tóricas (3) que se muestran arriba para facilitar la instalación del cartucho y retirar del cuerpo de la válvula. Inserte el cartucho en el cuerpo de la válvula como se muestra. Asegúrese de que los dentados en el cuerpo están totalmente encajados en las ranuras en el cuerpo (4). La aplicación de una ligera capa de grasa de plomeros a las juntas tóricas puede facilitar el montaje.



Enrosque la tuerca tapa (2) en el cartucho. Apriete a mano de forma segura. Deslice la junta tórica (1) sobre el cartucho y el casquete.

2

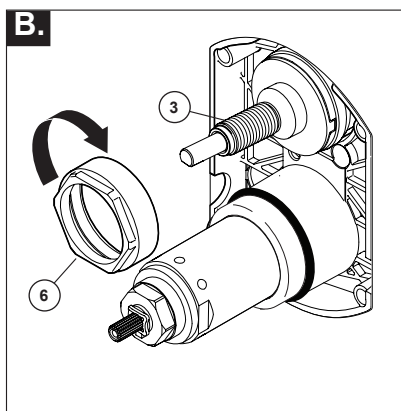
Instalación del cartucho de desvío



PARA LA INSTALACIÓN DEL CARTUCHO DE DESVÍO:
Aplique lubricante de silicona a la junta tórica (2) para facilitar la instalación del cartucho desviador con el casquillo desviador (3).

Gire el cartucho desviador (1) de manera que el pasador esté en la parte inferior para su correcta instalación. Aplique el lubricante de silicona a las juntas tóricas (4) para facilitar la instalación del cartucho desviador con el casquillo desviador (3).

Alinee el casquillo desviador de manera que las muescas estén en la misma posición que las muescas en el cuerpo de la tubería preliminar (5).



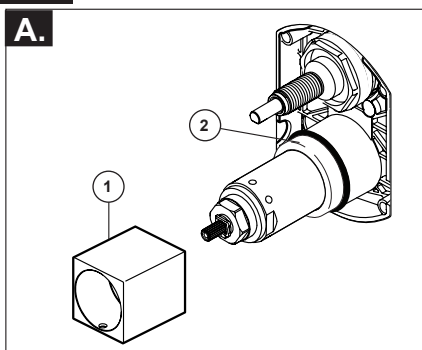
Instalación deslizable

Deslice la tuerca tapa (6) sobre el casquillo desviador (3) y enrosque en el cuerpo de la tubería preliminar.

Apriete a mano de forma segura.

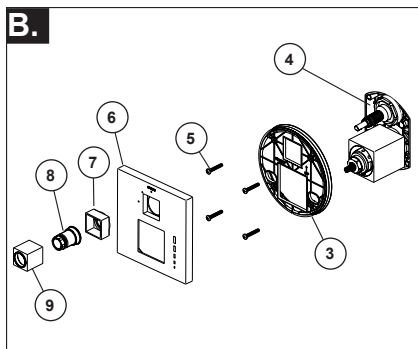
3

Instalación del accesorio



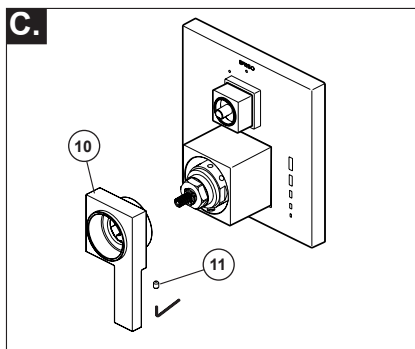
Instalación de la manga de accesorio

Deslice el casquillo de ajuste (1) sobre la tuerca tapa (2) y la junta tórica. Asegúrese de que el casquillo esté colocado correctamente sobre la parte frontal del cartucho con el orificio de acceso del tornillo de ajuste hacia abajo. La junta tórica ayudará a mantener el casquillo fijo en su posición.



Instalación del chapetón

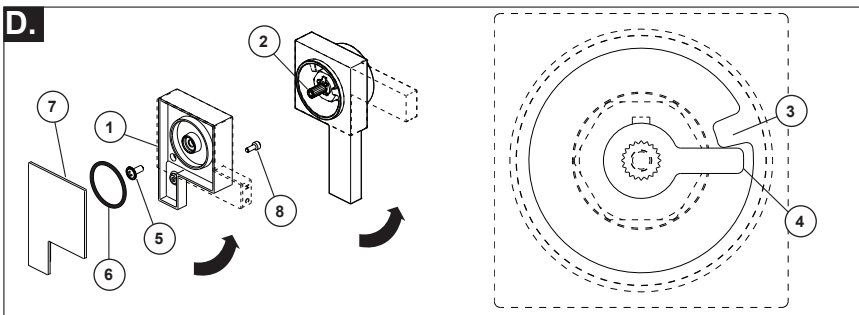
Fije la placa posterior (3) a la tubería detrás de la pared (4) con los 4 tornillos (5) provistos. **Nota: Asegúrese de que la placa posterior esté orientada hacia adelante y que las marcas estén visibles.** Si se monta en una superficie irregular, aplique sellador adecuado alrededor de la placa posterior para complementar el sello de goma. Alinee los agujeros en el chapetón (6) con los cartuchos y deslice el chapetón (6) sobre la placa posterior. Deslice el manguito (7) sobre el chapetón (6) y fíjelo enroscando la tuerca de ajuste (8) en el manguito desviador. No apriete demasiado. Deslice la base del desviador (9) sobre la tuerca de ajuste (8). **Para la instalación en paredes gruesas, hay disponible un juego de piezas de extensión opcional para acomodar hasta 1" de grosor de pared adicional. Solicite RP100669.**



Instalación de la manija del volumen

Deslice la manija de control de volumen (10) sobre el cartucho, alineando las superficies planas dentro de la manija con las superficies planas en los costados del cartucho. La palanca de la manija debe apuntar hacia abajo (las 6 en el reloj) en la posición cerrada. Fije la manija con el tornillo de fijación (11). **Nota: El tornillo de fijación debe comenzarse a atornillar en la manija antes de instalarlo en el cartucho.** Luego apriete el tornillo de fijación colocando la llave Allen a través del orificio de acceso en el manguito de ajuste.

Instalación y ajuste de la manija para el control de la temperatura. De no hacerlo pudiera causar lesiones. Por favor, complete los siguientes pasos cuidadosamente.



Ajuste del tope de parada del límite de temperatura

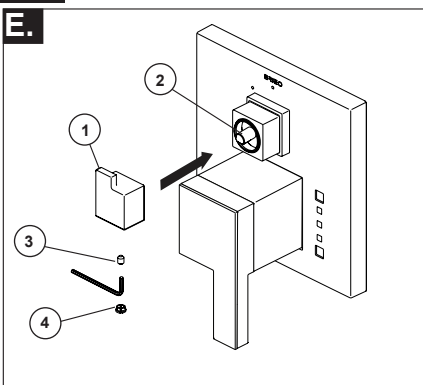
Ajuste del tope de parada del límite de temperatura
Abra los suministros de agua; **DEJE QUE EL AGUA SALGA TOTALMENTE CALIENTE PARA ASEGURAR QUE EL AGUA ESTÉ LO MÁS CALIENTE POSIBLE.** Coloque un termómetro en un vaso plástico y sostenga el vaso bajo el chorro de agua. Alineando las ranuras, coloque la manija de la temperatura (1) en el extremo de la espiga del cartucho (2). Gire la manija hasta que alcance la temperatura máxima deseada (no más de 120° o menos, como lo exige el código de plomería local)

Retire la manija de la temperatura (1). Reemplace la manija en la espiga del cartucho con el tope del límite de la manija (4) contra el tope de la manija del límite del volumen (3), como se muestra. Fije la manija de la temperatura (1) en la espiga de la válvula con el tornillo (5). Asegúrese de que la junta tórica (6) esté armada en la tapa de la manija (7). Instale la tapa de la manija presionándola en su lugar en la parte superior de la manija de la temperatura (1). Fije la tapa apretando el tornillo (8) desde la parte inferior de la manija.

4

Instalación del mango desviador

E.



Instalación de la manija desviadora

Inserte la manija desviadora (1) en el casquillo de ajuste (2). Con una llave Allen, inserte el tornillo de ajuste (3) en la manija (1). Aplicando presión, inserte la tapa del tornillo de ajuste (4) hasta que esté correctamente asentada.

5

Pueden producirse escaldaduras o lesiones por choque térmico debido al flujo cruzado si la salida de la ducha o regadera está bloqueada o restringida (ej., Control de pausa en la cabezal de la regadera/ducha). Asegúrese de apuntar la cabeza de la regadera lejos de usted cuando reinicie el flujo o instale las válvulas de retención de entrada en ambas líneas de suministro para evitar posibles lesiones.

Mantenimiento

No puede recibir más que un chorrito de agua:

Ambas líneas de suministro de agua fría y la caliente deben estar presurizadas. Si sólo se presuriza un lado, el sistema no permitirá un flujo adecuado de agua.

Filtraciones o fugas desde la cabeza de la regadera o ducha:

Retire la cabeza de la regadera y abra y cierre el agua para verificar si el cartucho está goteando o la cabeza de la regadera está drenando lentamente (si el agua drena lentamente la cabeza de la regadera puede requerir limpieza).

Si la filtración persiste - CIERRE LOS SUMINISTROS DE AGUA. Sustituya el ensamble del cartucho - RP47201.

No puede establecer o mantener la temperatura del agua mezclada:

CIERRE LOS SUMINISTROS DE AGUA. Retire el ensamble de la manija, el manguito de ajuste y la tuerca tapa. Verifique que la marca "H" en el cartucho esté alineada con la entrada del agua caliente y la marca "C" en el cartucho esté alineada con la entrada de agua fría al cuerpo de la válvula. El cartucho termostático no puede funcionar si las entradas calientes y frías están invertidas.

Flujo bajo:

El flujo bajo puede causar que las rejillas se atasquen dentro del cartucho termostático. Para limpiar las rejillas del agua caliente y del agua fría dentro del cartucho siga los pasos a continuación:

1. **CIERRE LOS SUMINISTROS DE AGUA.**
2. Retire el ensamble de la manija.
3. Desenrosque la porción hexagonal del cartucho de la sección de bronce o latón del cartucho. La sección de bronce debe ser sostenida firmemente por las partes chatas mientras que gira la pieza hexagonal en sentido contrario a las agujas del reloj. Si no se asegura la sección de bronce mientras gira el hexágono, puede dañar el cartucho.
4. Limpie cuidadosamente los residuos de las pantallas bajo el chorro del agua. Si los residuos son difíciles de eliminar, deje en remojo las pantallas durante la noche en una solución de 50% de agua y 50% de vinagre.
5. Vuelva a montar el cartucho.
6. Vuelva a colocar la manija.
7. Vuelva a abrir el agua.
8. Restablezca la parada del límite antes de utilizar la válvula.

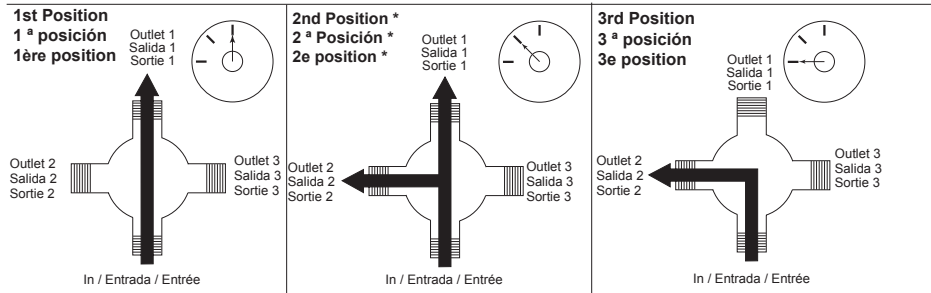
Limpieza y Cuidado

Se debe tener cuidado con la limpieza de este producto. Aunque su acabado es extremadamente resistente, puede ser dañado por abrasivos o pulimentos

ásperos. Para limpiar, simplemente frote con un paño húmedo y seque con una toalla suave.

Hoja de referencia para la manija desviadora

Water Flow For 3 Function Diverter / Flujo de agua para Desviadores de 3 posiciones / Écoulement de l'eau pour les inverseurs à 3 positions

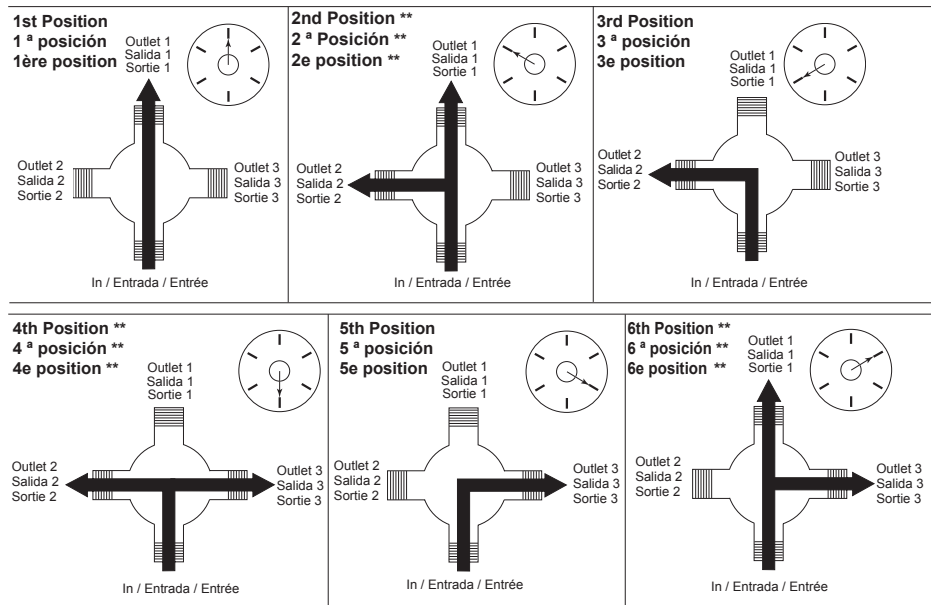


* Shared positions do not exist in non-shared cartridges.

* Los ajustes o posiciones compartidas no existen en los cartuchos no-compartidos.

* Comme leur nom l'indique, les cartouches sans position partagée ne comportent aucune position partagée.

Water Flow For 6 Function Diverter / Flujo de agua para Desviadores de 6 posiciones / Écoulement de l'eau pour les inverseurs à 6 positions



** Shared positions do not exist in non-shared cartridges.

** Los ajustes o posiciones compartidas no existen en los cartuchos no-compartidos.

** Comme leur nom l'indique, les cartouches sans position partagée ne comportent aucune position partagée.

BRIZO®

Instructions d'installation des
éléments de finition de la soupape
thermostatique TempAssure®
MultiChoice® avec inverseur à 3 ou
6 fonctions

106513

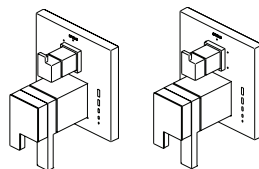
T75580▲

T75680▲

▲ Précisez le Fini

S'enregistrer en ligne
www.brizo.com/customer-support/product-registration

Pour obtenir la référence des pièces de rechange ainsi que pour avoir accès à d'autres documents techniques et renseignements sur le produit, allez à www.brizo.com



T75580▲

T75680▲



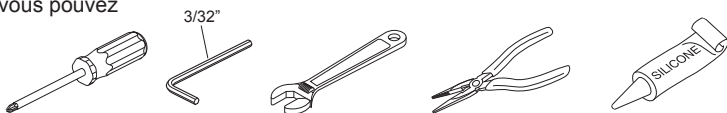
1-877-345-BRIZO (2749)
www.brizo.com/customer-support

Veillez lire toutes les instructions avant l'installation.

⚠ AVERTISSEMENT

L'omission de lire les présentes instructions avant l'installation peut entraîner des blessures, des dommages matériels ou le bris du produit. Le fabricant se dégage de toute responsabilité à l'égard d'un bris du produit causé par une mauvaise installation.

Articles dont vous pouvez
avoir besoin :



ATTENTION: Ce système ou cet appareil doit être réglé par l'installateur pour que sa température maximale soit sans danger. Tout changement du réglage peut entraîner une hausse de température au delà de la limite considérée sécuritaire et occasionner l'ébouillantage.

AVIS À L'INSTALLATEUR: ATTENTION! - En qualité d'installateur de cette soupape, vous avez la responsabilité de L'INSTALLER et de la RÉGLER correctement selon les instructions fournies. Cette soupape ne s'adapte pas automatiquement aux fluctuations de la température de l'eau d'alimentation. Par conséquent, il faut régler le bouton de température maximale au moment de l'installation et il peut être nécessaire de faire de nouveaux réglages par la suite en raison des fluctuations saisonnières de la température de l'eau. **VOUS DEVEZ informer le propriétaire ou l'utilisateur de cette exigence.** En cas de doute quant à la marche à suivre pour faire ces réglages, **veuillez consulter la page 5** Si vous avez encore des doutes, veuillez appeler au 1-877-345-BRIZO (2749).

Après avoir terminé l'installation et le réglage, vous devez inscrire, sur l'étiquette de mise en garde fournie, votre nom, le nom de votre entreprise et la date à laquelle vous avez réglé le bouton de température maximale, puis fixer l'étiquette à l'endos de la porte de la coiffeuse. Vous

devez également fixer l'étiquette d'avertissement au chauffe-eau. **Veillez laisser ce feuillet d'instructions au propriétaire ou à l'utilisateur pour qu'il puisse le consulter au besoin.**

MISE EN GARDE: Ce robinet thermostatique à équilibrage de pression pour baignoire est conçu pour limiter les effets des fluctuations de température de l'eau causées par les variations de la pression d'alimentation attribuables au fonctionnement d'un lave-vaisselle, d'une machine à laver, d'un cabinet d'aisances ou d'un autre appareil qui consomme de l'eau. Il peut ne pas protéger l'utilisateur contre l'échaudage en cas de défectuosité d'un autre dispositif de régulation de la température, de réglage erroné du bouton de température maximale, de modification de la température de l'eau chaude après le réglage du bouton de température maximal ou de fluctuation saisonnière de la température de l'eau d'alimentation.

MISE EN GARDE: N'installez pas de dispositif d'arrêt sur une sortie quelconque de cette soupape. En interrompant l'écoulement de l'eau, ce dispositif peut empêcher la soupape d'équilibrer les pressions d'eau chaude et d'eau froide.

Garantie limitée des robinets Brizo®

Pièces et finis. Tous les pièces (autres que les composants électroniques, les modules d'alimentation d'interrupteur pneumatique, les piles et les pièces non fournies par Brizo Kitchen and Bath Company) et les finis des robinets Brizo® achetés auprès de vendeurs Brizo autorisés sont protégés contre les défauts du matériel et les vices de fabrication par une garantie qui est consentie au premier acheteur au détail et qui demeure valide tant que celui-ci demeure propriétaire de la maison dans laquelle le robinet a été installé. En ce qui concerne les acheteurs commerciaux, la période de garantie est a) de dix (10) ans pour les applications résidentielles multifamiliales et b) de cinq (5) ans pour toutes les autres applications commerciales, à compter de la date d'achat dans chaque cas. Dans le libellé de la présente garantie, on entend par « application résidentielle multifamiliale », un robinet acheté chez un vendeur Brizo autorisé par un acheteur qui est propriétaire d'un logement résidentiel sans l'habiter et installé la première fois dans cet immeuble. Il peut s'agir d'un immeuble individuel comportant un ou plus d'un logement loué (duplex ou groupe de maisons en rangée), d'un condominium, d'un immeuble d'habitation ou d'un centre d'intégration communautaire. Les applications décrites ci-après ne sont pas considérées comme étant des applications résidentielles multifamiliales et elles sont couvertes par la garantie de cinq (5) ans plutôt que par la garantie de dix (10) ans. Ce sont les suivantes : robinets installés dans un bâtiment industriel, un bâtiment institutionnel et un autre immeuble commercial, notamment une résidence d'étudiants, un lieu d'hébergement (hôtel, motel ou lieu de séjour prolongé), un aéroport, un établissement d'enseignement, un établissement de soins de santé de courte ou de longue durée (hôpital, centre de réadaptation, maison de soins infirmiers, résidence pour personnes âgées), un endroit public ou un lieu commun.

Composants électroniques et piles (le cas échéant). Les composants électroniques (autres que les modules d'alimentation d'interrupteur pneumatique et les piles) des robinets Brizo® achetés auprès de vendeurs Brizo autorisés sont protégés contre les défauts du matériel et les vices de fabrication par une garantie consentie au premier acheteur au détail qui est de cinq (5) ans à compter de la date d'achat. En ce qui concerne les acheteurs commerciaux, la période de garantie est d'un (1) an à compter de la date d'achat. Les piles ne sont pas couvertes par la garantie.

Module d'alimentation d'interrupteur pneumatique. Le module d'alimentation électronique des interrupteurs pneumatiques Brizo® acheté auprès de vendeurs Brizo autorisés est protégé contre les défauts du matériel et les vices de fabrication par une garantie consentie au premier acheteur au détail qui est d'une durée de deux (2) ans à compter de la date d'achat. En ce qui concerne les acheteurs commerciaux, la garantie est d'une durée d'un (1) an à compter de la date d'achat.

Ce que nous ferons. Brizo Kitchen and Bath Company réparera ou remplacera gratuitement, pendant la période de garantie applicable (décrite ci-dessus), toute pièce ou tout fini qui présentera une défectuosité de matériel et/ou un vice de fabrication pour autant que le produit ait été installé, utilisé et entretenu normalement. Brizo Kitchen & Bath Company pourra, à son entière discrétion, utiliser des pièces ou des produits neufs, remis en état ou recertifiés pour effectuer la réparation ou le remplacement. S'il n'est pas utile de réparer ou de remplacer le produit, Brizo Kitchen & Bath Company pourra rembourser le prix d'achat en échange du produit retourné. Il s'agit de vos seuls recours.

Ce qui n'est pas couvert. Brizo Kitchen and Bath Company ne peut contrôler la qualité des produits Brizo vendus par des vendeurs non autorisés. Par conséquent, la présente garantie ne couvre pas les produits achetés auprès de vendeurs non autorisés, à moins que la loi n'interdise une telle limitation de la garantie (allez à Brizo.com pour obtenir la liste de nos revendeurs en ligne autorisés).

La présente garantie ne couvre pas les frais de main-d'œuvre encourus par l'acheteur pour la réparation, le remplacement, l'installation ou la dépose du produit. Brizo Kitchen & Bath Company se dégage de toute responsabilité à l'égard de toute détérioration du produit résultant d'une usure raisonnable et des dommages causés par une utilisation à l'extérieur, un mauvais usage (y compris l'utilisation du produit à des fins autres que celles auxquelles il est destiné), le gel de l'eau, un usage abusif, la négligence ou l'utilisation d'une méthode d'assemblage, d'installation, de maintenance ou de réparation incorrecte ou inadéquate, y compris les dommages résultant du non-respect des instructions de nettoyage et d'entretien applicables. La présente garantie ne couvre pas non plus les composants non authentiques achetés par le consommateur ou un utilisateur commercial et installés dans un produit Brizo ainsi que tous les dommages résultant de la dépose ou d'une mauvaise installation desdits composants.

Brizo Kitchen and Bath Company vous recommande de confier tous les travaux d'installation et de réparation à un plombier profession-

nel. Nous vous recommandons également d'utiliser uniquement des pièces de rechange Brizo® authentiques.

Ce que vous devez faire pour vous prévaloir de la garantie ou obtenir des pièces de rechange Vous pouvez présenter une réclamation en vertu de la garantie et obtenir des pièces de rechange en appelant au 1-877-345-BRIZO (2749) ou en communiquant avec nous à l'une des adresses postales ou des adresses de courriel indiquées ci-dessus (n'oubliez pas d'indiquer le numéro de modèle et la date d'achat).

Aux États-Unis et au Mexique

Brizo Kitchen & Bath Company

55 E. 111th Street

Indianapolis, IN 46280

Attention: Warranty Service

<https://www.brizo.com/customer-support/contact-us>

Au Canada:

Masco Canada Limited, Groupe plomberie

Centre de services techniques

350, chemin South Edgeware

St. Thomas (Ontario) Canada N5P 4L1

<https://www.brizo.com/customer-support/contact-us>

La preuve d'achat (original du reçu) du premier acheteur doit être présentée à Brizo Kitchen & Bath Company pour toutes les réclamations en vertu de la garantie, sauf si le produit a été enregistré auprès de Brizo Kitchen & Bath Company. La présente garantie s'applique uniquement aux robinets Brizo® installés aux États-Unis d'Amérique, au Canada et au Mexique.

Limitation de la durée des garanties implicites. Veuillez noter qu'il est interdit dans certains États et certaines provinces (y compris le Québec) de limiter la durée d'une garantie implicite. Par conséquent, les limites mentionnées ci-dessous peuvent ne pas s'appliquer à vous. DANS LA MESURE DE CE QUI EST PERMIS PAR LA LOI APPLICABLE, TOUTES LES GARANTIES IMPLICITES, Y COMPRIS LES GARANTIES IMPLICITES DE QUALITÉ MARCHANDE ET D'ADÉQUATION À UN USAGE PARTICULIER, SE LIMITENT À LA PÉRIODE FIXÉE PAR LA LOI OU À LA DURÉE DE LA PRÉSENTE GARANTIE, LA PLUS COURTE DES DEUX PÉRIODES S'APPLIQUANT.

Limitation des dommages particuliers, consécutifs ou indirects.

Veuillez noter qu'il est interdit dans certains États et certaines provinces (y compris le Québec) d'exclure ou de limiter les dommages particuliers, consécutifs ou indirects. Par conséquent, les exclusions et les limites mentionnées ci-dessous peuvent ne pas s'appliquer à vous. DANS LA MESURE DE CE QUI EST PERMIS PAR LA LOI APPLICABLE, BRIZO KITCHEN & BATH COMPANY SE DÉGAGE DE TOUTE RESPONSABILITÉ À L'ÉGARD DES DOMMAGES PARTICULIERS, CONSÉCUTIFS OU INDIRECTS (Y COMPRIS LES FRAIS DE MAIN-D'ŒUVRE POUR LA RÉPARATION, LE REMPLACEMENT, L'INSTALLATION OU LA DÉPOSE DU PRODUIT), PEU IMPORTE QU'ILS DÉCOULENT D'UNE RUPTURE D'UNE GARANTIE IMPLICITE OU EXPLICITE, D'UNE RUPTURE DE CONTRAT, D'UN DÉLIT CIVIL OU D'UNE AUTRE CAUSE. BRIZO KITCHEN & BATH COMPANY SE DÉGAGE DE TOUTE RESPONSABILITÉ À L'ÉGARD DE TOUTE DÉTÉRIORATION DU ROBINET RÉSULTANT D'UNE USURE RAISONNABLE ET DES DOMMAGES CAUSÉS PAR UNE UTILISATION À L'EXTÉRIEUR, UN MAUVAIS USAGE (Y COMPRIS L'UTILISATION DU PRODUIT À DES FINS AUTRES QUE CELLES AUXQUELLES IL EST DESTINÉ), LE GEL DE L'EAU, UN USAGE ABUSIF, LA NÉGLIGENCE OU L'UTILISATION D'UNE MÉTHODE D'ASSEMBLAGE, D'INSTALLATION, DE MAINTENANCE OU DE RÉPARATION INCORRECTE OU INADÉQUATE, Y COMPRIS LES DOMMAGES RÉSULTANT DU NON-RESPECT DES INSTRUCTIONS D'INSTALLATION, DE NETTOYAGE ET D'ENTRETIEN APPLICABLES, ET CES DOMMAGES NE SONT PAS COUVERTS PAR LA GARANTIE. Avis à l'intention des résidents de l'État du New Jersey : Les dispositions de la présente garantie, y compris ses limites, s'appliquent dans toute la mesure permise par les lois de l'État du New Jersey.

Droits supplémentaires.

La présente garantie vous procure des droits particuliers reconnus par la loi. Vous pouvez aussi avoir d'autres droits qui varient selon l'État ou la province.

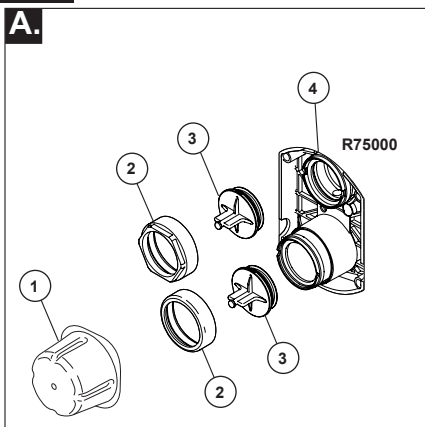
La présente garantie écrite est la seule garantie offerte par Brizo Kitchen & Bath Company et elle n'est pas transférable.

Si vous avez des questions ou des préoccupations concernant notre garantie, veuillez communiquer avec nous de la manière indiquée ci-dessus ou visiter notre site Web à l'adresse www.brizo.com.

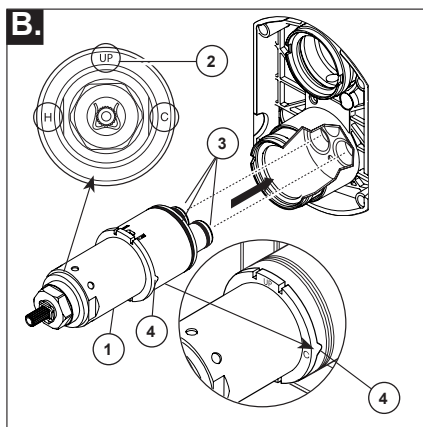
© 2022 Division de Masco Indiana

1

Installation de la cartouche

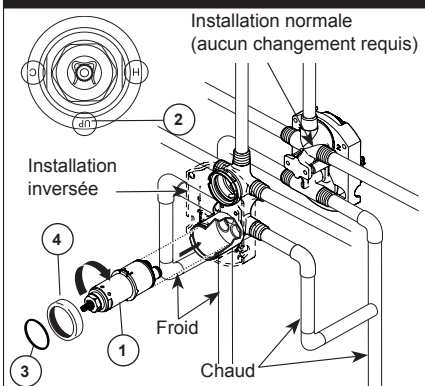


Fermez les robinets d'alimentation. Retirez le capuchon (1), les écrous-chapeaux (2) et les capuchons d'essai (3) du corps de robinetterie brute (4) R75000. Placez un seau ou un petit contenant sur l'avant du corps de soupape et ouvrez lentement les robinets d'arrêt pour évacuer les corps étrangers de la tuyauterie avant d'installer la cartouche. Fermez de nouveau les robinets d'arrêt.



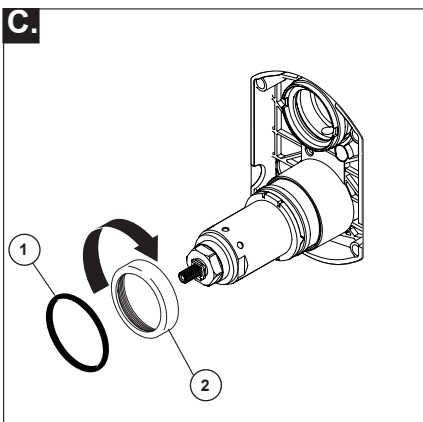
Tournez la cartouche (1) de sorte que la mention « UP » (2) se trouve sur le dessus. La lettre « H » doit se trouver du côté eau chaude et la lettre « C », du côté eau froide. Ajoutez du lubrifiant à base de silicone aux trois joints toriques (3) montrés ci-dessus pour faciliter la pose de la cartouche dans le corps de soupape et sa dépose. Introduisez la cartouche dans le corps de soupape comme le montre la figure. Assurez-vous que les ergots sont parfaitement engagés dans les rainures du corps (4). Vous pouvez enduire les joints toriques d'un peu de graisse de plomberie pour faciliter l'assemblage.

Back to back Installation



Dans le cas d'une installation dos à dos ou inversée (eau chaude à droite et eau froide à gauche) seulement : tournez la cartouche (1) de sorte que la lettre « H » se trouve du côté eau chaude, la lettre « C », du côté eau froide et le mot « UP » (2), vers le bas. Ajoutez du lubrifiant à base de silicone aux trois joints toriques montrés ci-dessus pour faciliter la pose de la cartouche dans le corps de robinetterie brute et sa dépose.

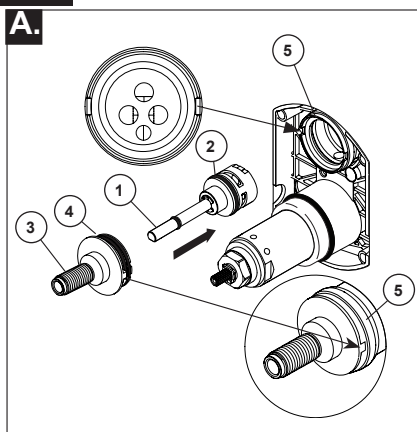
Installez la cartouche en prenant soin d'introduire les ergots entièrement dans les rainures du corps de robinetterie brute (reportez-vous à l'étape B). Glissez le joint torique (3) et l'écrou-chapeau (4) sur la cartouche et vissez-le sur le



Vissez l'écrou-chapeau (2) sur la cartouche. Serrez à la main solidement. Glissez le joint torique (1) sur la cartouche et le chapeau.

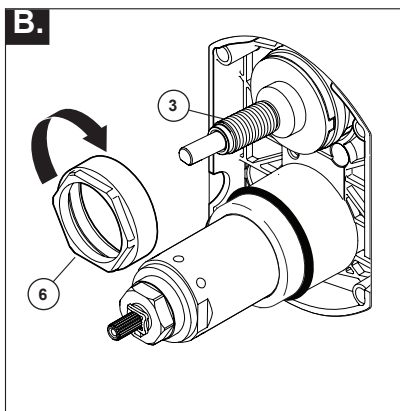
2

Installation de la cartouche de l'inverseur



INSTALLATION DE LA CARTOUCHE DE L'INVERSEUR

Ajoutez du lubrifiant à base de silicone au joint torique (2) pour faciliter la pose du manchon de l'inverseur (3) et la cartouche de l'inverseur. Vous pouvez enduire les joints toriques (4) d'un peu de graisse de plomberie pour faciliter l'assemblage. Tournez la cartouche de l'inverseur (1) en prenant soin de faire correspondre l'ergot de détrompage au bas de la cartouche avec le trou dans le corps de robinet brut. Ajoutez du lubrifiant à base de silicone aux joints toriques (4) pour faciliter la pose du manchon de l'inverseur (3) dans la cartouche de l'inverseur. Installez le manchon de l'inverseur en prenant soin de faire correspondre les encoches avec les rainures dans le corps de robinetterie brute (5).



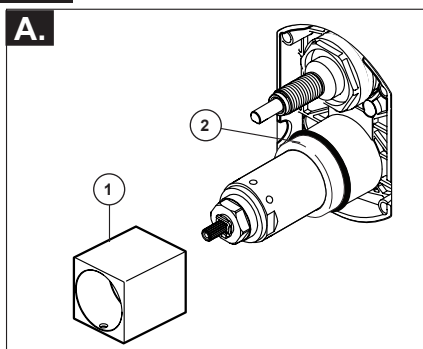
Installation de l'écrou-chapeau

Glissez l'écrou-chapeau (6) sur le manchon de l'inverseur (3) et vissez-le sur le corps de robinetterie brute.

Serrez-le à la main solidement.

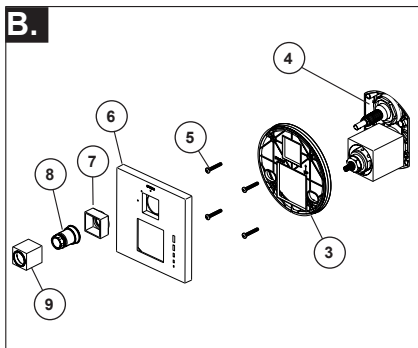
3

Installation des garnitures



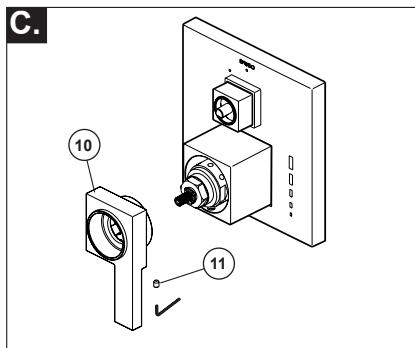
Installation du manchon de finition

Faites glisser le manchon de finition (1) sur l'écrou-chapeau (2) et le joint torique. Assurez-vous que le manchon est positionné correctement sur l'avant de la cartouche et que le trou d'accès de la vis de calage est orienté vers le bas. Le joint torique contribuera à maintenir le manchon de finition solidement en place.



Installation de la plaque de finition

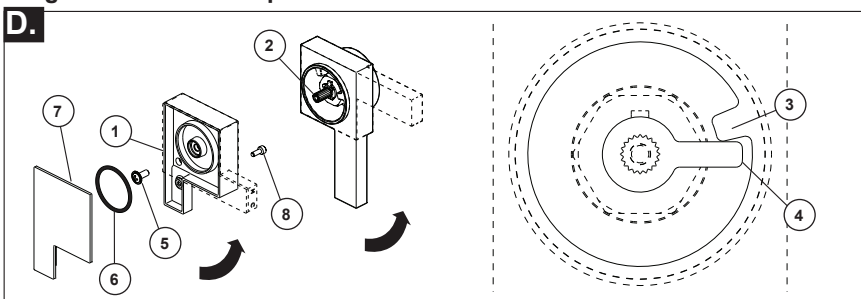
Fixez la plaque arrière (3) au corps de robinetterie (4) à l'aide des 4 vis (5) fournies. **Note : Assurez-vous que le côté avant de la plaque arrière est orienté vers l'avant et que les marques sont visibles.** Si vous effectuez le montage sur une surface inégale, appliquez un composé d'étanchéité approprié autour de la plaque arrière pour que la garniture de caoutchouc puisse bien assurer l'étanchéité. Faites correspondre les trous dans la plaque de finition (6) avec les cartouches et glissez la plaque de finition (6) contre la plaque arrière. Glissez le manchon (7) contre la plaque de finition (6) et immobilisez-le en vissant l'écrou de finition (8) sur le manchon d'inverseur. Prenez garde de trop serrer. Glissez la base d'inverseur (9) sur l'écrou de finition (8). **Si vous effectuez l'installation dans un mur épais, vous pouvez utiliser une trousse de rallonge facultative qui autorise une épaisseur supplémentaire de 1 po. Commandez la trousse RP100669.**



Installation de la manette de réglage de débit

Glissez la manette de réglage de débit (10) sur la cartouche en prenant soin de faire correspondre les méplats à l'intérieur de celle-ci avec les méplats sur les côtés de la cartouche. Le levier de la manette doit pointer vers le bas (6 heures) lorsque la soupape est fermée. Fixez la manette avec la vis de calage (11). **Note : Vous devez amorcer la vis de calage dans la manette avant de monter la manette sur la cartouche.** Introduisez ensuite une clé Allen dans le trou d'accès du manchon de finition et serrez la vis de calage.

Installation et réglage de la manette de température. Il y a risque de blessure si la manette de température n'est pas réglée. Veuillez suivre soigneusement les étapes suivantes.



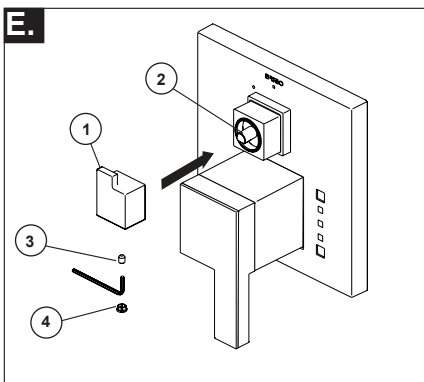
Réglez la butée de température maximale

Ouvrez les arrivées d'eau. **LAISSEZ COULER L'EAU CHAUDE À FOND JUSQU'À CE QU'ELLE SOIT AUSSI CHAUDE QUE POSSIBLE.** Placez un thermomètre dans un gobelet en plastique et tenez le gobelet sous le jet d'eau. Faites correspondre les cannelures et placez la manette de réglage de température (1) sur l'extrémité de la tige de la cartouche (2). Tournez la manette jusqu'à ce que la température maximale voulue soit atteinte (120 °F/49 °C ou moins selon le code de plomberie de votre région). Retirez la manette de réglage de température

(1). Remplacez la manette sur la tige de la cartouche de manière que la butée de la manette (4) se trouve contre la butée de la manette de réglage de débit (3) comme le montre la figure. Fixez la manette de réglage de température (1) sur la tige de la soupape avec la vis (5). Assurez-vous que le joint torique (6) se trouve sur le capuchon de manette (7). Montez le capuchon de manette en le plaçant sur le dessus de la manette de réglage de température (1) et en exerçant une pression. Fixez le capuchon en serrant la vis (8) par-dessous la manette.

4

Installation des garnitures



Installation de la manette de l'inverseur

Placez la manette d'inverseur (1) sur le manchon de finition (2). À l'aide d'une clé Allen, insérez et vissez la vis de calage (3) dans la manette (1). Insérez le capuchon de la vis de calage (4) en exerçant une pression jusqu'à ce qu'il soit bien calé.

5

Possibilité d'ébouillantage ou de choc thermique pouvant causer des lésions en raison d'une inversion de la circulation de l'eau si la sortie de la douche est bloquée ou restreinte (p. ex. : circulation bloquée par la commande d'arrêt sur la pomme de douche). Avant d'ouvrir le robinet, déplacez la pomme de douche pour ne pas vous faire arroser. Vous pouvez également installer des clapets de non-retour sur les deux tuyaux d'alimentation pour éliminer les risques de blessures.

Maintenance

L'eau ne s'écoule qu'en un mince filet :

Les conduites d'eau chaude et d'eau froide doivent être toutes les deux sous pression. Si seulement un côté est sous pression, le débit d'eau à la sortie du système sera insuffisant.

La pomme de douche fuit : Retirez la pomme de douche, puis ouvrez et fermez les robinets d'arrêt et vérifiez si la cartouche fuit ou si la pomme de douche se vide lentement (la pomme de douche peut avoir besoin d'un nettoyage si elle se vide lentement).

Si la fuite persiste - FERMEZ LES ROBINETS D'ARRÊT. Remplacez la cartouche - RP47201.

Incapacité de régler ou de maintenir la température de l'eau mitigée :

FERMEZ LES ROBINETS D'ARRÊT. Retirez la manette, le manchon de finition et l'écrouteau. Assurez-vous que la lettre « H » qui figure sur la cartouche est orientée vers l'entrée d'eau chaude et que la lettre « C » est orientée vers l'entrée d'eau froide du corps de soupape. La cartouche thermostatique ne fonctionnera pas si l'entrée d'eau chaude et l'entrée d'eau froide sont inversées.

Faible débit :

Un faible débit peut être attribuable à des filtres métalliques obstrués à l'intérieur de la cartouche thermostatique. Pour nettoyer les filtres métalliques d'eau chaude et d'eau froide à l'intérieur de la cartouche, suivez les étapes suivantes :

1. FERMEZ LES ROBINETS D'ARRÊT.
2. Enlevez la manette.
3. Dévissez la partie hexagonale de la cartouche de la section en laiton de la cartouche. Tenez solidement la section en laiton par les méplats pendant que vous tournez la partie hexagonale dans le sens antihoraire. Si vous ne tenez pas la section en laiton assez solidement, la cartouche risque d'être endommagée.
4. Nettoyez soigneusement les filtres métalliques en faisant couler de l'eau au travers pour évacuer les saletés. Si les saletés sont difficiles à enlever, faites tremper les filtres métalliques toute la nuit dans une solution composée à parts égales d'eau et de vinaigre.
5. Remontez la cartouche.
6. Remontez la manette.
7. Ouvrez les robinets d'arrêt.
8. Remettez la butée de température maximale à sa position initiale avant d'utiliser le robinet.

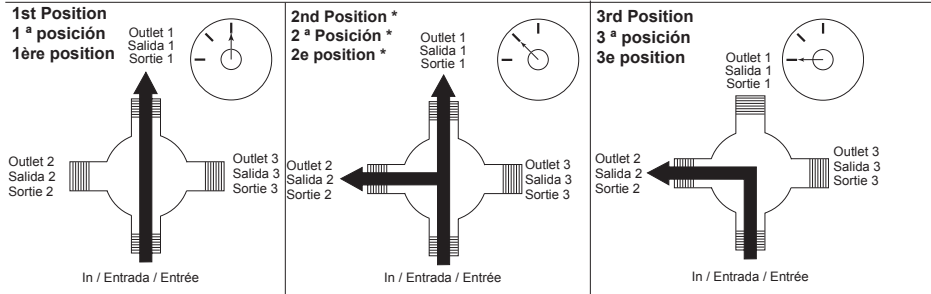
Nettoyage et entretien

Ce produit doit être nettoyé avec soin. Bien que le fini soit extrêmement durable, il peut être abîmé par des agents de polissage puissants ou des nettoyeurs fortement abrasifs.

Pour le nettoyer, il suffit de le frotter doucement avec un chiffon humide, puis de l'éponger avec une serviette douce.

Feuille de référence de la poignée de déviation

Water Flow For 3 Function Diverter / Flujo de agua para Desviadores de 3 posiciones / Écoulement de l'eau pour les inverseurs à 3 positions

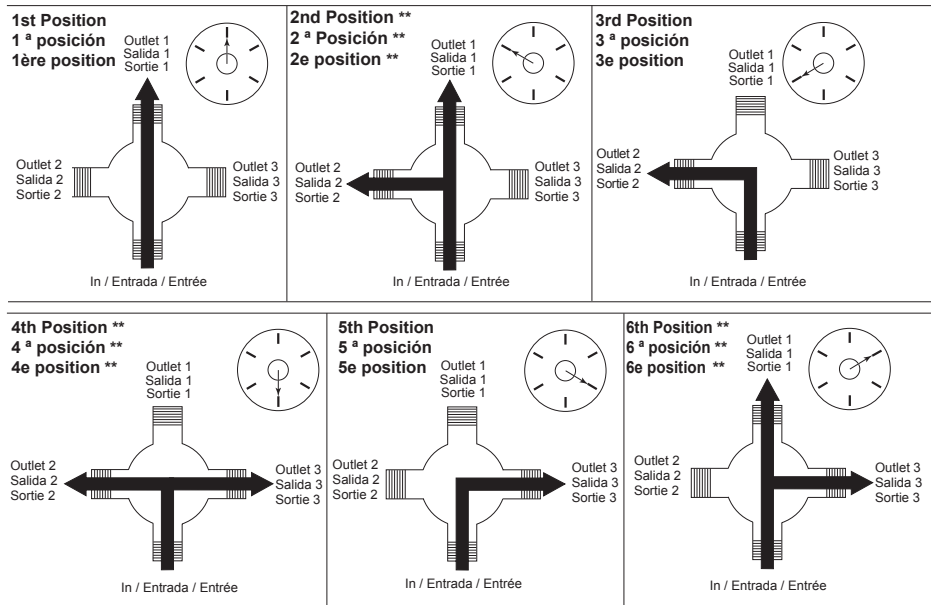


* Shared positions do not exist in non-shared cartridges.

* Los ajustes o posiciones compartidas no existen en los cartuchos no-compartidos.

* Comme leur nom l'indique, les cartouches sans position partagée ne comportent aucune position partagée.

Water Flow For 6 Function Diverter / Flujo de agua para Desviadores de 6 posiciones / Écoulement de l'eau pour les inverseurs à 6 positions



** Shared positions do not exist in non-shared cartridges.

** Los ajustes o posiciones compartidas no existen en los cartuchos no-compartidos.

** Comme leur nom l'indique, les cartouches sans position partagée ne comportent aucune position partagée.

Brizo Kitchen & Bath Company
Product Service
55 E. 111th Street
Indianapolis, IN 46280