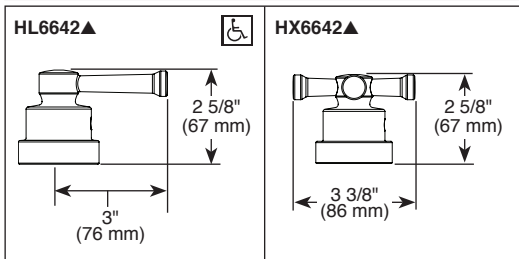
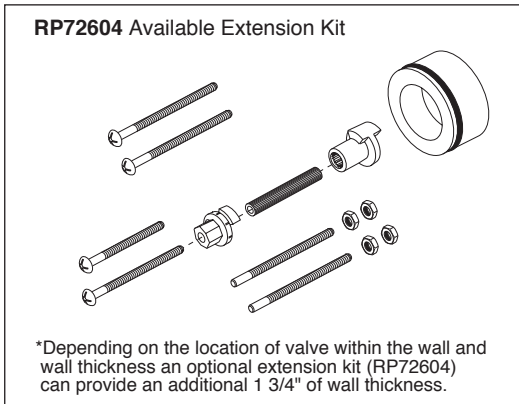
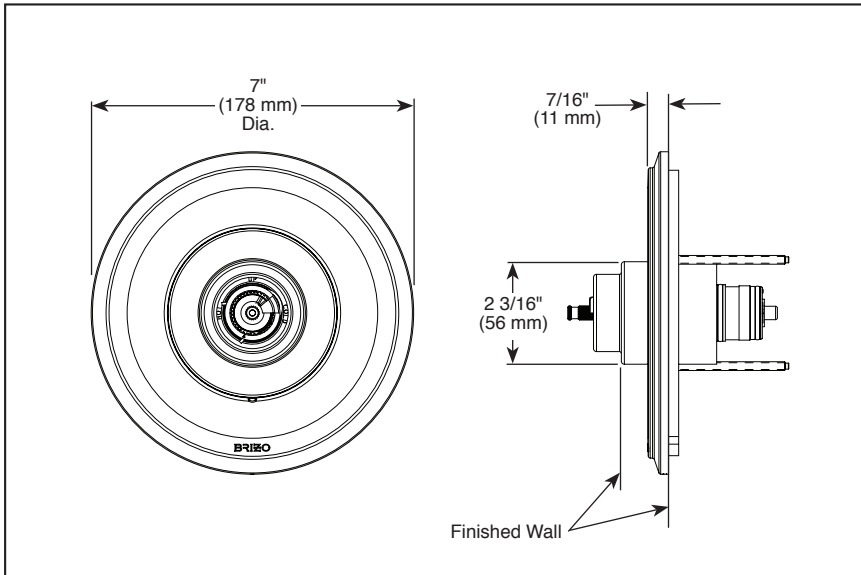


Submitted Model No.: _____

Specific Features: _____



▲ Designate proper finish suffix

Brizo reserves the right (1) to make changes in specifications and materials, and (2) to change or discontinue models, both without notice or obligation. Dimensions are for reference only. See current full-line price book or www.brizo.com for finish options and product availability.

BSP-B-T66T042-LHP Rev. A

BRIZO[®]

SENSORI[®]

CUSTOM SHOWER TRIM

- Atavis™ Collection
- Thermostatic Control Trim

FEATURES:

- Sensori[®] Thermostatic Control

STANDARD SPECIFICATIONS

- Must also order R66000-WS rough valve body
- Includes Sensori[®] thermostatic cartridge
- Thermostatic wax element maintains the outlet temp to +/- 3.6° F
- Handle controls temperature only; must be used with one or more Sensori[®] volume controls
- Field adjustable to limit rotation into hot water zone
- All parts are replaceable from the front of the valve
- Adjusts for up to 5/8" wall thickness. Optional extension kit (RP72604) available
- Must order handles separately. See handle options below.

WARRANTY

- Lifetime limited warranty on parts (other than electronic parts and batteries) and finishes; or, for commercial users, for 5 years from date of purchase.
- 5 year limited warranty on electronic parts (other than batteries); or, for commercial users, for 1 year from the date of purchase. No warranty is provided on batteries.

COMPLETE VALVE COMPLIES WITH:

- ASME A1 12.18.1 / CSA B1 25.1
- Indicates compliance to ICC/ANSI A117.1

Brizo Kitchen & Bath Company

55 E. 111th Street, Indianapolis, Indiana 46280
 350 South Edgeware Road, St. Thomas, ON N5P 4L1
 © 2018 Brizo Kitchen & Bath Company