

BRIZO®

SHOWER ARM AND FLANGE

■ Atavis™ Collection

STANDARD SPECIFICATIONS:

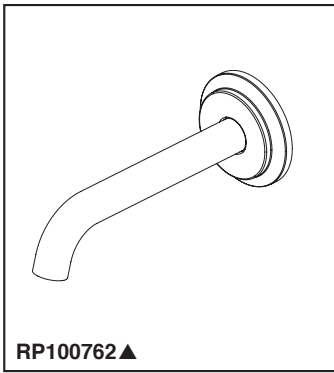
- 1/2" NPT threads
- Solid brass construction

WARRANTY

- Lifetime limited warranty on parts (other than electronic parts and batteries) and finishes: or, for commercial users, for 5 years from date of purchase.
- 5 year limited warranty on electronic parts (other than batteries); or, for commercial users, for 1 year from the date of purchase. No warranty is provided on batteries.

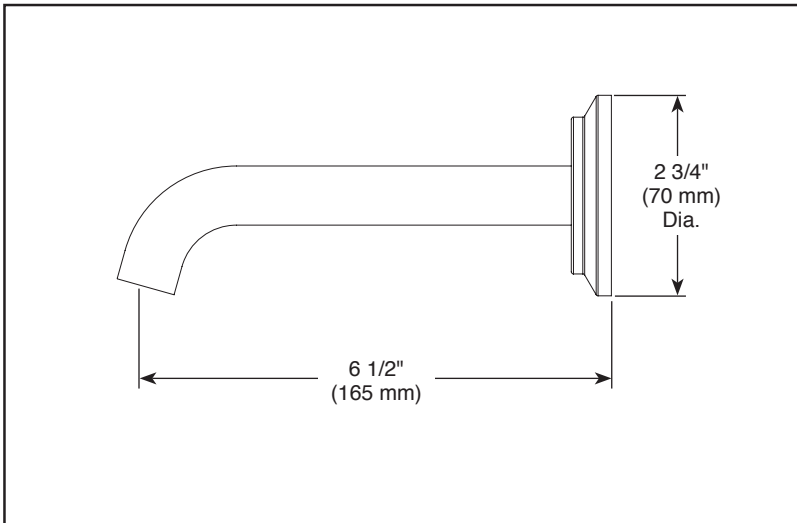
COMPLIES WITH:

- ASME A112.18.1 / CSA B125.1



Submitted Model No.: _____

Specific Features: _____



▲ Designate proper finish suffix