

BRIZO®

HAND SHOWER

■ Litze® Bath Collection

FEATURES:

- Multi-function hand shower featuring H₂Okinetic Technology®

STANDARD SPECIFICATIONS:


- Maximum 1.75 gpm @ 80 psi, 6.6 L/min @ 550 kPa
- Certified dual check valves for backflow prevention
- Multiple spray settings and pause feature - pause is a non-positive shut-off
- ADA Compliant Hand Shower when installed per accessibility guidelines of the Act.

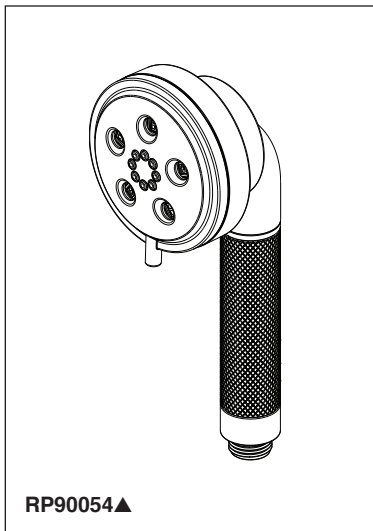
WARRANTY

- Parts and Finish - Lifetime limited warranty; or for commercial purchasers, 10 years for multi-family residential (apartments and condominiums) and 5 years for all other commercial uses, in each case from the date of purchase.
- Electronic Parts and Batteries (if applicable) - 5 years from the date of purchase; or for commercial purchasers, 1 year from the date of purchase. No warranty is provided on batteries.



COMPLIES WITH:

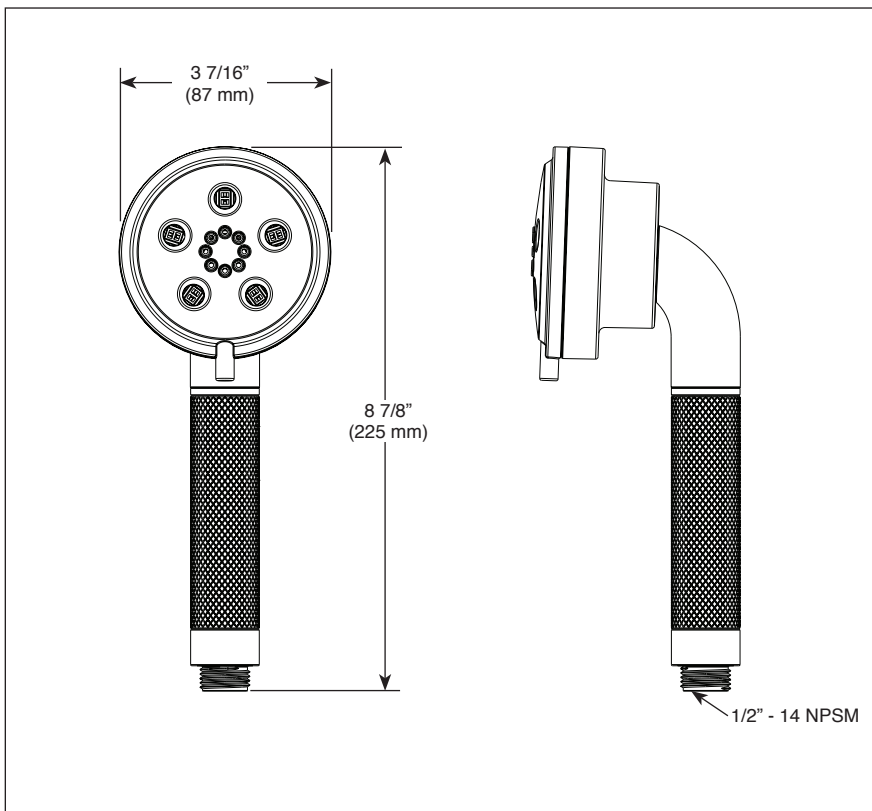
- ASME A112.18.1 / CSA B125.1
-  Indicates compliance to ICC/ANSI A117.1
- EPA WaterSense®



RP90054▲

Submitted Model No.: _____

Specific Features: _____



▲ Designate proper finish suffix

Spray Pattern



H2Okinetic®
Rinsing
Spray



Massage
Spray



Pause

- ◆ Your Brizo Faucet hand shower incorporates a backflow protection system that has been tested to be in compliance with ASME A112.18.3. It incorporates two certified check valves in series, which operate independently and are integral, non-serviceable parts of the wand assembly.

Brizo Kitchen & Bath Company reserves the right (1) to make changes in specifications and materials, and (2) to change or discontinue models, both without notice or obligation. Dimensions are for reference only. See current full-line price book or www.brizo.com for finish options and product availability.

BSP-B-RP90054 Rev. A

Brizo Kitchen & Bath Company
55 E. 111th Street, Indianapolis, IN 46280
350 South Edgeware Road, St. Thomas, ON N5P 4L1
© 2020 Brizo Kitchen & Bath Company