

BRIZO®

BATHROOM FAUCETS

- Vettis™ Bath Collection
- Single Handle Deck Mount

STANDARD SPECIFICATIONS:

- Maximum 1.5 GPM @ 60 PSI, 5.7 L/Min @ 414 kPa
- Max. (ECO models only) 1.2 gpm @ 60 psi, 4.5 L/min @ 414 kPa
- Single hole mount
- Solid brass fabricated body
- Control mechanism - 25 mm ceramic disc cartridge with metal stem
- Metal pop-up drain included
- Spout features hidden water-efficient, laminar flow aerator

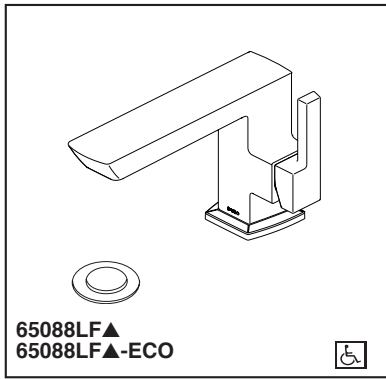
WARRANTY

- Parts and Finish - Lifetime limited warranty; or for commercial purchasers, 10 years for multi-family residential (apartments and condominiums) and 5 years for all other commercial uses, in each case from the date of purchase.
- Electronic Parts and Batteries (if applicable) - 5 years from the date of purchase; or for commercial purchasers, 1 year from the date of purchase. No warranty is provided on batteries.



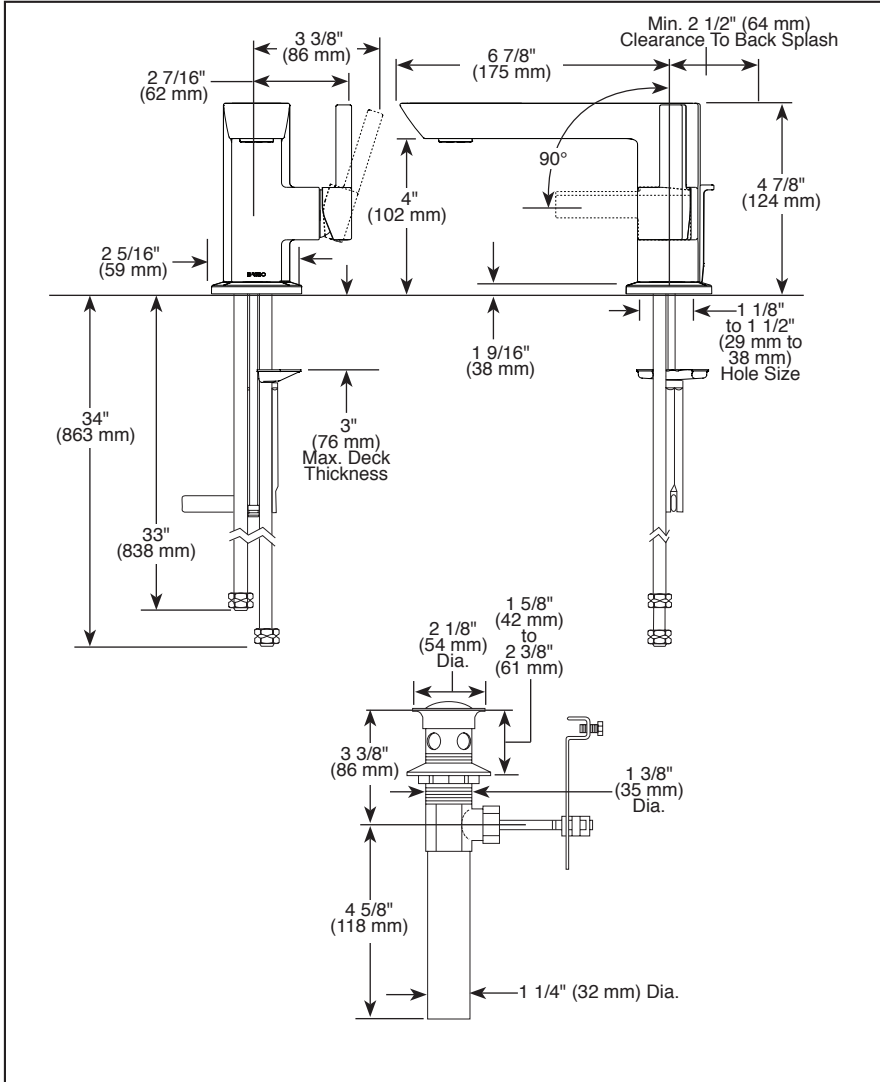
COMPLIES WITH:

- ASME A112.18.1 / CSA B125.1
- Indicates compliance to ICC/ANSI A117.1
- EPA WaterSense®
- Verified compliant with .25% weighted average Pb content regulations.



Submitted Model No.: _____

Specific Features: _____



▲ Designate Proper Finish Suffix

Brizo Kitchen & Bath Company reserves the right (1) to make changes in specifications and materials, and (2) to change or discontinue models, both without notice or obligation. Dimensions are for reference only. See current full-line price book or www.brizo.com for finish options and product availability.

BSP-L-65088LF Rev. B

Brizo Kitchen & Bath Company
55 E 11th Street, Indianapolis, Indiana 46280
350 South Edgeware Road, St. Thomas, ON N5P 4L1
© 2019 Brizo Kitchen & Bath Company