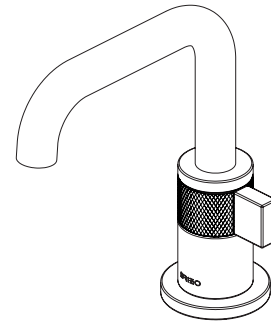


BRIZO®

Model/Modelo/Modèle
65035LF-▲, 65035LF-▲-ECO
Series/Series/Seria
Litze®



SINGLE HANDLE LAVATORY LLAVES DE AGUA DE UNA MANIJA PARA LAVAMANOS ROBINETS À UNE MANETTE POUR LAVABO



Write purchased model number here.
Escriba aquí el número del modelo comprado.
Inscrivez le numéro de modèle ici.

Date of Purchase: _____
Fecha de compra
Date d'achat

Register Online
Regístrese en línea
S'enregistrer en ligne
www.brizo.com/customer-support/product-registration

To reference replacement parts and access additional technical documents and product info, visit www.brizo.com

Para referencia sobre las piezas de repuesto y acceder a documentos técnicos adicionales e información del producto, visite www.brizo.com

Pour obtenir la référence des pièces de rechange ainsi que pour avoir accès à d'autres documents techniques et renseignements sur le produit, allez à www.brizo.com



1-877-345-BRIZO (2749)
www.brizo.com/customer-support

Read all instructions prior to installation.

⚠ CAUTION

Failure to read these instructions prior to installation may result in personal injury, property damage, or product failure. Manufacturer assumes no responsibility for product failure due to improper installation.

Lea todas las instrucciones antes de hacer la instalación.

⚠ ADVERTENCIA

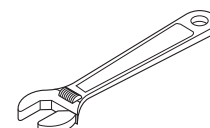
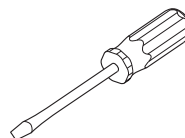
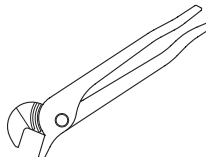
El no leer estas instrucciones de instalación puede resultar en lesiones personales, daños a la propiedad, o falla en el funcionamiento del producto. El fabricante no asume ninguna responsabilidad por la falla del producto debido a una instalación incorrecta.

Veuillez lire toutes les instructions avant l'installation.

⚠ AVERTISSEMENT

L'omission de lire les présentes instructions avant l'installation peut entraîner des blessures, des dommages matériels ou le bris du produit. Le fabricant se dégage de toute responsabilité à l'égard d'un bris du produit causé par une mauvaise installation.

You may need:
Usted puede necesitar:
Articles dont vous pouvez avoir besoin :



CLEANING AND CARE

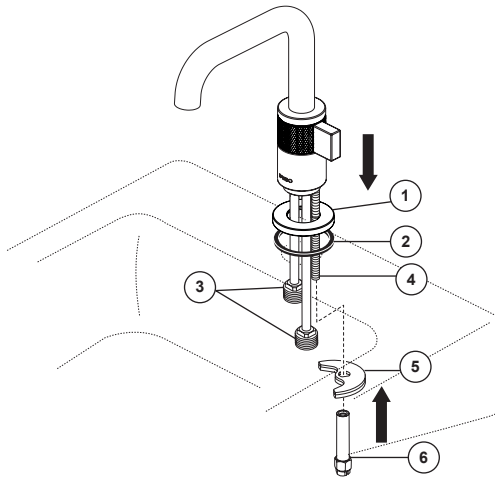
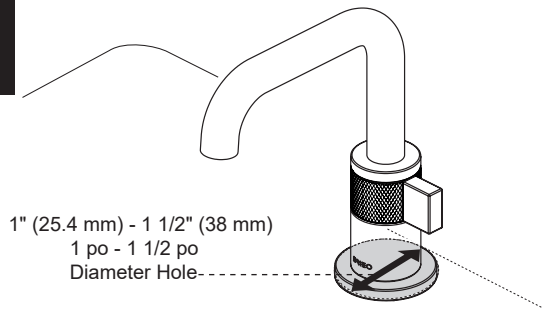
Care should be given to the cleaning of this product. Although its finish is extremely durable, it can be damaged by harsh abrasives or polish. To clean, simply wipe gently with a damp cloth and blot dry with a soft towel.

LIMPIEZA Y CUIDADO DE SU LLAVE

Tenga cuidado al ir a limpiar este producto. Aunque su acabado es sumamente durable, puede ser afectado por agentes de limpieza o para pulir abrasivos. Para limpiar su llave, simplemente frótelas con un trapo húmedo y luego séquela con una toalla suave.

INSTRUCTIONS DE NETTOYAGE

Il faut le nettoyer avec soin. Même si son fini est extrêmement durable, il peut être abîmé par des produits fortement abrasifs ou des produits de polissage. Il faut simplement le frotter doucement avec un chiffon humide et le sécher à l'aide d'un chiffon doux.

1

Lavatory Faucet Installation

Note: This faucet fits 1" min. mounting hole size. When drilling a new hole, 1 1/2" is recommended. Slide base (1) and gasket (2) up over tubes (3) and mounting stud (4) and seat onto bottom of faucet. Place tubes and mounting stud through mounting hole and position faucet on sink. **Option: If surface of sink is uneven, use silicone under the baseplate or gasket.** Place metal bracket (5) over mounting stud (4) under sink. Secure with mounting nut (6). Tighten securely but do not overtighten.

Note: This faucet features integrated rotary valve. Handle should be oriented at 3 o'clock to the right side and parallel with the back splash in off position. Rotate 90° toward user to turn on and transition from cold to hot water temperature.

Instalación de la llave de Agua para Lavamanos

Nota: Esta llave de agua es para instalación en orificios de tamaño mínimo de 1". Cuando perfora un orificio nuevo, se recomienda 1 1/2". Deslice la base (1) y el empaque (2) a lo largo de los tubos (3) y el perno de montaje (4) y el asiento contra el fondo de la llave de agua/del grifo. Coloque los tubos y el perno de instalación por el orificio de instalación y coloque la llave de agua en el lavamanos. **Opción: Si la superficie del lavamanos está desnivelada, use silicón por debajo de la chapa de base o el empaque.** Coloque el soporte de metal (5) sobre el perno de instalación (4) por debajo del lavamanos. Fije con la tuerca de instalación (6). Apriete bien pero no demasiado.

Nota: El grifo cuenta con una válvula rotativa integrada. La manija debe ser orientada a las 3 horas del reloj hacia el lado derecho y en paralelo con el protector contra salpicaduras en la posición de desactivado. Gire a los 90° hacia el usuario para abrirlo y cambie entre agua fría y agua caliente.

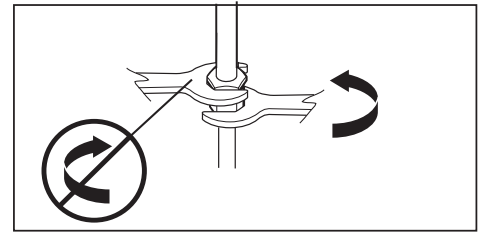
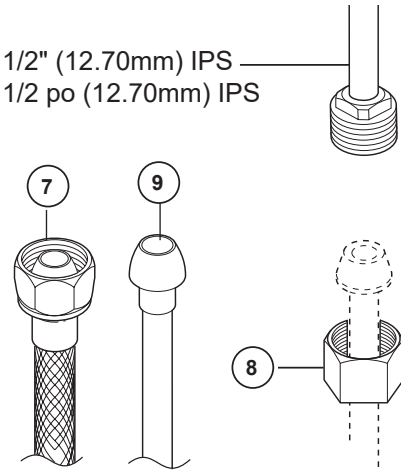
Installation du robinet de lavabo

Note : Ce robinet est conçu pour un trou de montage ayant un diamètre minimal de 1 po. Si vous devez percer un nouveau trou, un diamètre de 1 1/2 po est recommandé. Glissez la base (1) et le joint (2) vers le haut sur les tubes (3) et le goujon de montage (4), puis appuyez-les contre le dessous du robinet. Introduisez les tubes et le goujon de montage dans le trou de montage, puis positionnez le robinet sur l'appareil sanitaire. **Facultatif : Si la surface de l'appareil sanitaire est inégale, appliquez du composé d'étanchéité à la silicone sous la plaque de base ou le joint.** Placez le support en métal (5) sur le goujon de montage (4) sous l'appareil sanitaire. Fixez-le robinet à l'aide de l'écrou de montage (6). Serrez l'écrou solidement en prenant garde de trop serrer.

Note: Ce robinet dispose d'une vanne rotative intégrée. La poignée doit être orientée à 3 heures sur le côté droit et parallèle au rebord incliné en position d'arrêt. Tourner de 90° vers l'utilisateur pour ouvrir et passer de la température de l'eau froide à celle chaude.

2

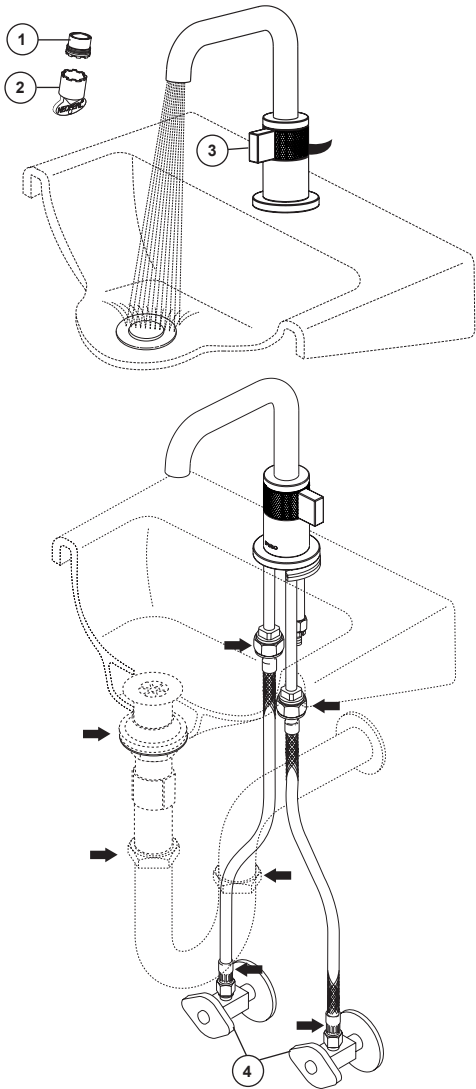
1/2" (12.70mm) IPS
1/2 po (12.70mm) IPS



Make connections to water lines: Use 1/2" IPS faucet connections (7), or use coupling nuts (8) with 3/8" O.D. ball-nose risers (9). Use two wrenches when tightening. Do not overtighten.

Haga las conexiones a las líneas de agua: Use conexiones IPS de 1/2" (7), o use las tuercas de acoplamiento (8) con tubos montantes bola-nariz (9) de 3/8" D.E. Use dos llaves de tuercas cuando apriete. No apriete demasiado.

Raccordez le robinet aux conduites d'eau. Utilisez des raccords 1/2 po IPS (7) ou les écrous de raccordement (8) et des tubes-raccords 3/8 po D.E. à garniture sphérique (9). Utilisez deux clés pour serrer les raccords. Prenez garde de trop serrer.

3

Flush the System and Check for Leaks

Remove aerator* (1) using supplied wrench (2) and turn faucet handle (3) to the full on mixed position. Turn on hot and cold water supplies (4) and flush water lines for one minute. **Important: This flushes away any debris that could cause damage to internal parts. Reinstall aerator.**

Check all connections at arrows for leaks. Retighten if necessary, but do not overtighten.

Deje Correr el Agua por el Sistema y Examine si hay Filtraciones / Fugas

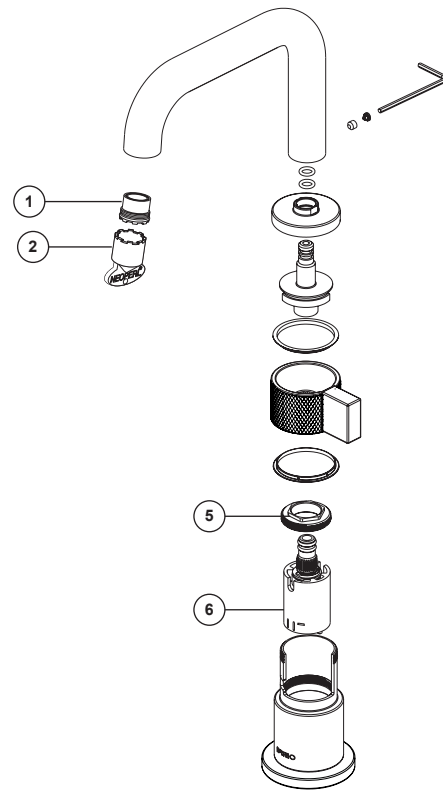
Quite el aereador (1) usando la llave de tuercas (2) proporcionada con su llave de agua y gire las manija de la llave de agua (3) a la posición completamente abierta. Abra los suministros de agua caliente y fría (4) y deje que el agua corra por las líneas por un minuto. **Importante: Esto limpia cualquier escombros que pudiera causar daño a las partes internas.** Reinstale el aereador.

Examine todas las conexiones donde señalan las flechas por si hay filtraciones de agua. Apriete de nuevo si es necesario, pero no apriete demasiado.

Rincez l'installation et vérifiez l'étanchéité

Retirez l'aérateur (1) en utilisant la clé (2) et tournez les poignée (3) du robinet en position d'écoulement maximum de l'eau chaude et de l'eau froide. Rétablissez l'alimentation en eau chaude et en eau froide (4), puis laissez s'écouler l'eau une minute. **Important: Il faut laisser s'écouler l'eau pour évacuer les saletés qui pourraient abîmer les éléments internes du robinet.** Réinstallez l'aérateur.

Vérifiez l'étanchéité de tous les raccords identifiés par une flèche. Resserrez les raccords au besoin, mais prenez garde de trop les serrer.



Maintenance

If faucet leaks from under handle:

Remove spout, base cap, spout base and handle to tighten bonnet nut (5).

If leak persists—SHUT OFF WATER SUPPLIES.

Replace valve cartridge (6).

If faucet leaks from spout outlet: SHUT OFF WATER SUPPLIES.

Replace valve cartridge (6).

If faucet exhibits very low flow:

Remove aerator (1) with wrench (2) and clean.

Mantenimiento

Si la llave de agua tiene una filtración desde la parte de abajo de la manija: Retire la boquilla del grifo, gorro de la base, la base de la boquilla y la manija para apretar la tuerca cubierta (5).

Si la filtración persiste: CIERRE LOS SUMINISTROS DE AGUA. Cambie el cartucho de la válvula (6).

Si la llave de agua tiene filtración desde la salida del surtidor: CIERRE LOS SUMINISTROS DE AGUA. Cambie el cartucho de la válvula (6).

Si la llave de agua tiene poco flujo:

Quite y limpie el aereador (1) con la llave de tuercas incluida (2).

Entretien

Si le robinet fuit sous la manette :

Retirer le bec, capuchon de fond, la base du bec et la poignée pour serrer l'écrou du capot (5).

Si la fuite persiste : INTERROMPEZ L'ALIMENTATION EN EAU. Remplacez la cartouche (6).

Si le robinet fuit par le bec :

INTERROMPEZ L'ALIMENTATION EN EAU. Remplacez la cartouche (6).

Si le débit du robinet est très faible :

Enlevez l'aérateur (1) à l'aide de l'outil fourni (2).

Limited Warranty on Brizo® Faucets

Parts and Finish: All parts (other than electronic parts, air switch power modules, batteries, and parts not supplied by Brizo Kitchen and Bath Company) and finishes of Brizo® faucets purchased from authorized Brizo sellers are warranted to the original consumer purchaser to be free from defects in material and workmanship for as long as the original consumer purchaser owns the home in which the faucet was first installed. For commercial purchasers, (a) the warranty period is ten (10) years for multi-family residential applications and (b) five (5) years for all other commercial uses, in each case from the date that the product is received by the original purchaser or their authorized representative (installation contractor, etc.). For purposes of this warranty, the term "multi-family residential application" refers to the purchase of the faucet from an authorized Brizo seller by a purchaser who owns but does not live in the residential dwelling in which the faucet is initially installed, such as in a rented or leased single unit or multi-unit detached home (duplex or townhome), or a condominium, apartment building or community living center. The following installations are not considered multi-family residential applications, are excluded from the 10-year warranty, and are subject to the 5-year warranty: industrial, institutional or other business premises, such as a dormitory, hospitality premises (hotel, motel, or extended stay location), airport, educational facility, long- or short-term healthcare facility (hospital, rehabilitation center, nursing, assisted or staged-care living unit), public space or common area.

Electronic Parts and Batteries (if applicable): Electronic parts (other than air switch power modules and batteries), if any, in Brizo® faucets purchased from authorized Brizo sellers are warranted to the original consumer purchaser to be free from defects in material and workmanship for five (5) years from the date that the product is received by the original consumer purchaser or their authorized representative (installation contractor, etc.) or, for commercial users, for one (1) year from the date that the product is received by the original commercial purchaser or their authorized representative (installation contractor, etc.). No warranty is provided on batteries.

Air Switch Power Module: The electronic power module of Brizo® air switches purchased from authorized Brizo sellers is warranted to the original consumer purchaser to be free from defects in material and workmanship for two (2) years from the date that the product is received by the original consumer purchaser or their authorized representative (installation contractor, etc.) or, for commercial users, for one (1) year from the date that the product is received by the original commercial purchaser or their authorized representative (installation contractor, etc.).

What We Will Do: Brizo Kitchen & Bath Company will repair or replace, free of charge, during the applicable warranty period (as described above), any part or finish that proves defective in material and/or workmanship under normal installation, use, and service. Brizo Kitchen & Bath Company may, in its sole discretion, use new, refurbished or recertified parts or products for such repair or replacement. If repair or replacement is not practical, Brizo Kitchen & Bath Company may elect to refund the purchase price in exchange for the return of the product. **These are your exclusive remedies.**

What Is Not Covered: Because Brizo Kitchen and Bath Company is unable to control the quality of Brizo products sold by unauthorized sellers, unless otherwise prohibited by law, this warranty does not cover Brizo products purchased from unauthorized sellers (visit [Brizo.com](https://www.brizo.com) to see a list of our Authorized Online Resellers).

Any labor charges incurred by the purchaser to repair, replace, install or remove this product are not covered by this warranty. Brizo Kitchen & Bath Company shall not be liable for any damage to the product resulting from reasonable wear and tear, outdoor use, misuse (including use of the product for an unintended application), freezing water, abuse, neglect, or improper or incorrectly performed assembly, installation, maintenance or repair, including failure to follow the applicable care and cleaning instructions. Customized components purchased by the consumer or commercial user and installed into a Brizo product, and any damage resulting from removal or improper installation of such components, are not covered by this warranty.

Brizo Kitchen & Bath Company recommends using a professional plumber for all installation and repair of faucets. We also recommend that you use only genuine Brizo® replacement parts.

What You Must Do To Obtain Warranty Service or Replacement Parts: A warranty claim may be made, and replacement parts may be obtained by calling 1-877-345-BRIZO (2749) or by contacting us by mail or online as follows (please include your model number, date of purchase and documentation of the date of receipt of the product by the original purchaser or their authorized representative (installation contractor, etc.)):

In the United States and Mexico:

Brizo Kitchen & Bath Company
55 E. 111th Street
Indianapolis, IN 46280
Attention: Warranty Service
<https://www.brizo.com/customer-support/contact-us>

In Canada:

Masco Canada Limited, Plumbing Group
Technical Service Centre
350 South Edgeware Road
St. Thomas, Ontario, Canada N5P 4L1
<https://www.brizo.com/customer-support/contact-us>

Proof of purchase (original sales receipt showing purchase date) and documentation of the date of receipt of the product by the original purchaser or their authorized representative (installation contractor, etc.) must be made available to Brizo Kitchen & Bath Company for all warranty claims unless the purchaser has registered the product with Brizo Kitchen & Bath Company. This warranty applies only to Brizo® faucets installed in the United States of America, Canada, and Mexico.

Limitation on Duration of Implied Warranties: Please note that some states/provinces (including Quebec) do not allow limitations on how long an implied warranty lasts, so the below limitations may not apply to you. TO THE MAXIMUM EXTENT PERMITTED BY APPLICABLE LAW, ANY IMPLIED WARRANTY, INCLUDING THE IMPLIED WARRANTIES OF MERCHANTABILITY AND OF FITNESS FOR A PARTICULAR PURPOSE, IS LIMITED TO THE STATUTORY PERIOD OR THE DURATION OF THIS WARRANTY, WHICHEVER IS SHORTER.

Limitation of Special, Incidental or Consequential Damages: Please note that some states/provinces (including Quebec) do not allow the exclusion or limitation of special, incidental, or consequential damages, so the below limitations and exclusions may not apply to you. TO THE MAXIMUM EXTENT PERMITTED BY APPLICABLE LAW, THIS WARRANTY DOES NOT COVER, AND BRIZO KITCHEN & BATH COMPANY SHALL NOT BE LIABLE FOR ANY SPECIAL, INCIDENTAL, OR CONSEQUENTIAL DAMAGES (INCLUDING LABOR CHARGES TO REPAIR, REPLACE, INSTALL OR REMOVE THIS PRODUCT), WHETHER ARISING OUT OF BREACH OF ANY EXPRESS OR IMPLIED WARRANTY, BREACH OF CONTRACT, TORT, OR OTHERWISE. BRIZO KITCHEN & BATH COMPANY SHALL NOT BE LIABLE FOR ANY DAMAGE TO THE FAUCET RESULTING FROM REASONABLE WEAR AND TEAR, OUTDOOR USE, MISUSE (INCLUDING USE OF THE PRODUCT FOR AN UNINTENDED APPLICATION, FREEZING WATER, ABUSE, NEGLIGENCE OR IMPROPER OR INCORRECTLY PERFORMED ASSEMBLY, INSTALLATION, MAINTENANCE OR REPAIR, INCLUDING FAILURE TO FOLLOW THE APPLICABLE INSTALLATION, CARE AND CLEANING INSTRUCTIONS. Notice to residents of the State of New Jersey: The provisions of this warranty, including its limitations, are intended to apply to the fullest extent permitted by the laws of the State of New Jersey.

Additional Rights: This warranty gives you specific legal rights, and you may also have other rights which vary from state/province to state/province. This is Brizo Kitchen & Bath Company's exclusive written warranty, and the warranty is not transferable.

If you have any questions or concerns regarding our warranty, please contact us as provided above or visit our website at www.brizo.com.

Garantía limitada de las llaves de agua/grifos Brizo®

Piezas y Acabado: Todas las piezas (excepto las piezas electrónicas, los módulos de suministro de electricidad al interruptor de aire, las pilas y las piezas no suministradas por Brizo Kitchen and Bath Company) y los acabados de las llaves de agua Brizo® comprados a vendedores autorizados de Brizo están garantizados al comprador consumidor original estar libres de defectos en materiales y mano de obra durante el tiempo que el comprador consumidor original sea propietario de la casa en la que se instaló la llave de agua por primera vez. Para compradores comerciales, (a) el período de garantía es de diez (10) años para aplicaciones residenciales multifamiliares y (b) cinco (5) años para todos los demás usos comerciales, en cada caso a partir de la fecha en que el comprador original o su representante autorizado (contratista de instalación, etc.) recibió el producto. Para los fines de esta garantía, el término "aplicación residencial multifamiliar" se refiere a la compra de la llave de agua a un vendedor autorizado de Brizo por parte de un comprador que es propietario pero no vive en la vivienda residencial en la que se instaló inicialmente la llave de agua o, como por ejemplo en una unidad individual alquilada o en una casa independiente de unidades múltiples (dúplex o casa adosada), o en un condominio, edificio de apartamentos o centro de vida comunitario. Las siguientes instalaciones no se consideran aplicaciones residenciales multifamiliares, están excluidas de la garantía de 10 años y están sujetas a la garantía de 5 años: locales industriales, institucionales u otros locales comerciales, como dormitorios, locales de hospitalidad (hotel, motel, o lugar de estadía prolongada), aeropuerto, centro educativo, centro de atención médica a corto o largo plazo (hospital, centro de rehabilitación, enfermería, unidad de vivienda de atención asistida o por etapas), espacio público o área común.

Piezas electrónicas y pilas (si corresponde): Las piezas electrónicas (que no sean módulos de suministro de electricidad al interruptor de aire y pilas), si las hubiera, en las llaves de agua Brizo® compradas a vendedores autorizados de Brizo están garantizadas al comprador consumidor original estar libres de defectos de material y de mano de obra durante dos (2) años a partir de la fecha en que el comprador consumidor original o su representante autorizado (contratista de instalación, etc.) recibió el producto o, para usuarios comerciales, durante un (1) año a partir de la fecha en que el comprador comercial original o su representante autorizado recibió el producto (contratista de instalación, etc.). No se proporciona garantía en las pilas.

Módulo de suministro de electricidad al interruptor de aire: Se garantiza al comprador consumidor original que el módulo de suministro de electricidad a los interruptores de aire Brizo® comprados a vendedores autorizados de Brizo estará libre de defectos de material y mano de obra durante dos (2) años a partir de la fecha en que el comprador consumidor original o su representante autorizado (contratista de instalación, etc.) recibió el producto o, para usuarios comerciales, durante un (1) año a partir de la fecha en que el comprador comercial original o su representante autorizado (contratista de instalación, etc.) recibió el producto.

Lo que haremos: Brizo Kitchen & Bath Company reparará o reemplazará, sin cargo, durante el período de garantía aplicable (como se describe anteriormente), cualquier pieza o acabado que resulte defectuoso en material y/o mano de obra en condiciones normales de instalación, uso y servicio. Brizo Kitchen & Bath Company puede, a su exclusivo criterio, utilizar piezas o productos nuevos, reacondicionados o recertificados para dicha reparación o reemplazo. Si la reparación o el reemplazo no es práctico, Brizo Kitchen & Bath Company puede optar por reembolsar el precio de compra a cambio de la devolución del producto. **Estos son tus remedios exclusivos.**

Lo que no está cubierto: Debido a que Brizo Kitchen and Bath Company no puede controlar la calidad de los productos Brizo vendidos por vendedores no autorizados, a menos que la ley lo prohíba, esta garantía no cubre los productos Brizo comprados a vendedores no autorizados (visite Brizo.com para ver una lista de nuestros revendedores autorizados en línea).

Cualquier cargo por mano de obra incurrido por el comprador para reparar, reemplazar, instalar o quitar este producto no está cubierto por esta garantía. Brizo Kitchen & Bath Company no será responsable de ningún daño al producto que resulte del desgaste razonable, uso en exteriores, mal uso (incluido el uso del producto para una aplicación no prevista), agua helada, abuso, negligencia o ensamblaje inadecuado o incorrecto, instalación, mantenimiento o reparación, incluido el incumplimiento de las instrucciones de cuidado y limpieza aplicables. Los componentes personalizados adquiridos por el consumidor o usuario comercial e instalados en un producto Brizo, y cualquier daño resultante de la extracción o instalación incorrecta de dichos componentes, no están cubiertos por esta garantía.

Brizo Kitchen & Bath Company recomienda utilizar un plomero profesional para toda la instalación y reparación de las llaves de agua. También le recomendamos que utilice únicamente piezas de repuesto originales Brizo®.

Qué debe hacer para obtener servicio de garantía o piezas de repuesto: Se puede realizar un reclamo de garantía y obtener piezas de repuesto llamando al 1-877-345-BRIZO (2749) o comunicándose con nosotros por correo o en línea de la siguiente manera (incluya su número de modelo, fecha de compra y documentación con la fecha cuando el comprador original o su representante autorizado (contratista de instalación, etc.) recibió el producto):

En los Estados Unidos y México:

Brizo Kitchen & Bath Company
55 E. 111th Street
Indianapolis, IN 46280
Attention: Warranty Service
<https://www.brizo.com/customer-support/contact-us>

En Canadá:

Masco Canada Limited, Plumbing Group
Technical Service Centre
350 South Edgeware Road
St. Thomas, Ontario, Canada N5P 4L1
<https://www.brizo.com/customer-support/contact-us>

El comprobante de compra (recibo de compra original que muestre la fecha de compra) y la documentación con la fecha cuando el comprador original o su representante autorizado (contratista de instalación, etc.) recibió el producto deben estar disponibles para Brizo Kitchen & Bath Company para todos los reclamos de garantía a menos que el comprador haya registrado el producto con Brizo Kitchen & Bath Company. Esta garantía se aplica únicamente a las llaves de agua Brizo® instaladas en los Estados Unidos de América, Canadá y México.

Limitación de la duración de las garantías implícitas: Tenga en cuenta que algunos estados/provincias (incluido Quebec) no permiten limitaciones sobre la duración de una garantía implícita, por lo que es posible que las siguientes limitaciones no se apliquen a usted. EN LA MEDIDA MÁXIMA PERMITIDA POR LA LEY APLICABLE, CUALQUIER GARANTÍA IMPLÍCITA, INCLUYENDO LAS GARANTÍAS IMPLÍCITAS DE COMERCIABILIDAD Y DE IDONEIDAD PARA UN PROPÓSITO PARTICULAR, SE LIMITA AL PERÍODO LEGAL O A LA DURACIÓN DE ESTA GARANTÍA, EL QUE SEA MÁS CORTO.

Limitación de daños especiales, incidentales o consecuentes: Tenga en cuenta que algunos estados/provincias (incluido Quebec) no permiten la exclusión o limitación de daños especiales, incidentales o consecuentes, por lo que es posible que las siguientes limitaciones y exclusiones no se apliquen a usted. EN LA MEDIDA MÁXIMA PERMITIDA POR LA LEY APLICABLE, ESTA GARANTÍA NO CUBRE, Y BRIZO KITCHEN & BATH COMPANY NO SERÁ RESPONSABLE DE NINGÚN DAÑO ESPECIAL, INCIDENTAL O CONSECUENTE (INCLUYENDO CARGOS DE MANO DE OBRA PARA REPARAR, REEMPLAZAR, INSTALAR O QUITAR ESTE PRODUCTO), YA SEA POR INCUMPLIMIENTO DE CUALQUIER GARANTÍA EXPRESA O IMPLÍCITA, INCUMPLIMIENTO DE CONTRATO, AGRAVIO O DE OTRA MANERA. BRIZO KITCHEN & BATH COMPANY NO SERÁ RESPONSABLE DE NINGÚN DAÑO AL GRIFO QUE RESULTE DEL DESGASTE RAZONABLE, USO EN EXTERIORES, MAL USO (INCLUYENDO EL USO DEL PRODUCTO PARA UNA APLICACIÓN NO PREVISTA, AGUA CONGELADA, ABUSO, NEGLIGENCIA O MONTAJE REALIZADO INCORRECTAMENTE O INCORRECTAMENTE, INSTALACIÓN, MANTENIMIENTO O REPARACIÓN, INCLUYENDO EL INCUMPLIMIENTO DE LAS INSTRUCCIONES CORRESPONDIENTES DE INSTALACIÓN, CUIDADO Y LIMPIEZA. Aviso a los residentes del estado de Nueva Jersey: Las disposiciones de esta garantía, incluidas sus limitaciones, están destinadas a aplicarse en la máxima medida permitida por el leyes del Estado de Nueva Jersey.

Derechos adicionales: Esta garantía le otorga derechos legales específicos, y es posible que también tenga otros derechos que varían de un estado/provincia a otro estado/provincia. Esta es la garantía escrita exclusiva de Brizo Kitchen & Bath Company y la garantía no es transferible.

Si tiene alguna pregunta o inquietud con respecto a nuestra garantía, comuníquese con nosotros como se indicó anteriormente o visite en nuestro sitio web Preguntas Frecuentes FAQ en www.brizo.com

© 2023 Masco Corporation de l'Indiana

Garantie limitée des robinets Brizo®

Pièces et finis: Tous les pièces (autres que les composants électroniques, les modules d'alimentation d'interrupteur pneumatique, les piles et les pièces non fournies par Brizo Kitchen and Bath Company) et les finis des robinets Brizo® achetés auprès de vendeurs Brizo autorisés sont protégés contre les défauts du matériel et les vices de fabrication par une garantie qui est consentie au premier acheteur au détail et qui demeure valide tant que celui-ci demeure propriétaire de la maison dans laquelle le robinet a été installé pour la première fois. En ce qui concerne les acheteurs commerciaux, la période de garantie est a) de dix (10) ans pour les applications résidentielles multifamiliales et b) de cinq (5) ans pour toutes les autres applications commerciales, à compter de la date, dans chaque cas, de réception du produit par le premier acheteur ou son représentant autorisé (installateur, etc.). Dans le libellé de la présente garantie, on entend par « application résidentielle multifamiliale », un robinet acheté chez un vendeur Brizo autorisé par un acheteur qui est propriétaire d'un logement résidentiel sans l'habiter et installé la première fois dans cet immeuble. Il peut s'agir d'un immeuble individuel comportant un ou plus d'un logement loué (duplex ou groupe de maisons en rangée), d'un condominium, d'un immeuble d'habitation ou d'un centre d'intégration communautaire. Les applications décrites ci-après ne sont pas considérées comme étant des applications résidentielles multifamiliales et elles sont couvertes par la garantie de cinq (5) ans plutôt que par la garantie de dix (10) ans. Ce sont les suivantes : robinets installés dans un bâtiment industriel, un bâtiment institutionnel et un autre immeuble commercial, notamment une résidence d'étudiants, un lieu d'hébergement (hôtel, motel ou lieu de séjour prolongé), un aéroport, un établissement d'enseignement, un établissement de soins de santé de courte ou de longue durée (hôpital, centre de réadaptation, maison de soins infirmiers, résidence pour personnes âgées), un endroit public ou un lieu commun.

Composants électroniques et piles (le cas échéant): Les composants électroniques (autres que les modules d'alimentation d'interrupteur pneumatique et les piles) des robinets Brizo® achetés auprès de vendeurs Brizo autorisés sont protégés contre les défauts du matériel et les vices de fabrication par une garantie consentie au premier acheteur au détail qui est de cinq (5) ans à compter de la date de réception du produit par le premier acheteur au détail ou son représentant autorisé (installateur, etc.). En ce qui concerne les acheteurs commerciaux, la période de garantie est d'un (1) an à compter de la date de réception du produit par le premier acheteur commercial ou son représentant autorisé (installateur, etc.). Les piles ne sont pas couvertes par la garantie.

Module d'alimentation d'interrupteur pneumatique: Le module d'alimentation électronique des interrupteurs pneumatiques Brizo® acheté auprès de vendeurs Brizo autorisés est protégé contre les défauts du matériel et les vices de fabrication par une garantie consentie au premier acheteur au détail qui est d'une durée de deux (2) ans à compter de la date de réception du produit par le premier acheteur au détail ou son représentant autorisé (installateur, etc.). En ce qui concerne les acheteurs commerciaux, la garantie est d'une durée d'un (1) an à compter de la date de réception du produit par le premier acheteur commercial ou son représentant autorisé (installateur, etc.).

Ce que nous ferons: Brizo Kitchen and Bath Company réparera ou remplacera gratuitement, pendant la période de garantie applicable (décrite ci-dessus), toute pièce ou tout fini qui présentera une déficience de matériau et/ou un vice de fabrication pour autant que le produit ait été installé, utilisé et entretenu normalement. Brizo Kitchen & Bath Company pourra, à son entière discrétion, utiliser des pièces ou des produits neufs, remis en état ou recertifiés pour effectuer la réparation ou le remplacement. S'il n'est pas utile de réparer ou de remplacer le produit, Brizo Kitchen & Bath Company pourra rembourser le prix d'achat en échange du produit retourné. **Il s'agit de vos seuls recours.**

Ce qui n'est pas couvert: Brizo Kitchen and Bath Company ne peut contrôler la qualité des produits Brizo vendus par des vendeurs non autorisés. Par conséquent, la présente garantie ne couvre pas les produits achetés auprès de vendeurs non autorisés, à moins que la loi n'interdise une telle limitation de la garantie (allez à Brizo.com pour obtenir la liste de nos revendeurs en ligne autorisés).

La présente garantie ne couvre pas les frais de main-d'œuvre encourus par l'acheteur pour la réparation, le remplacement, l'installation ou la dépose du produit. Brizo Kitchen & Bath Company se dégage de toute responsabilité à l'égard de toute détérioration du produit résultant d'une usure raisonnable et des dommages causés par une utilisation à l'extérieur, un mauvais usage (y compris l'utilisation du produit à des fins autres que celles auxquelles il est destiné), le gel de l'eau, un usage abusif, la négligence ou l'utilisation d'une méthode d'assemblage, d'installation, de maintenance ou de réparation incorrecte ou inadéquate, y compris les dommages résultant du non-respect des instructions de nettoyage et d'entretien applicables. La présente garantie ne couvre pas non plus les composants non authentiques achetés par le consommateur ou un utilisateur commercial et installés dans un produit Brizo ainsi que tous les dommages résultant de la dépose ou d'une mauvaise installation desdits composants.

Brizo Kitchen and Bath Company vous recommande de confier tous les travaux d'installation et de réparation à un plombier professionnel. Nous vous recommandons également d'utiliser uniquement des pièces de rechange Brizo® authentiques.

Ce que vous devez faire pour vous prévaloir de la garantie ou obtenir des pièces de rechange: Vous pouvez présenter une réclamation en vertu de la garantie et obtenir des pièces de rechange en appelant au 1-877-345-BRIZO (2749) ou en communiquant avec nous à l'une des adresses postales ou des adresses de courriel indiquées ci-dessous (veuillez fournir le numéro de modèle, la date d'achat et la documentation attestant la date de réception du produit par le premier acheteur ou son représentant autorisé (installateur, etc.)).

Aux États-Unis et au Mexique

Brizo Kitchen and Bath Company
55 E. 111th Street
Indianapolis, IN 46280
Attention: Warranty Service
<https://www.brizo.com/customer-support/contact-us>

Au Canada:

Masco Canada Limited, Groupe plomberie
Centre de services techniques
350, chemin South Edgeware
St. Thomas (Ontario) Canada N5P 4L1
<https://www.brizo.com/customer-support/contact-us>

La preuve d'achat (original du reçu montrant la date d'achat) et la documentation attestant la date de réception du produit par le premier acheteur ou son représentant autorisé (installateur, etc.) doivent être présentées à Brizo Kitchen & Bath Company pour toutes les réclamations en vertu de la garantie, sauf si le produit a été enregistré auprès de Brizo Kitchen & Bath Company. La présente garantie s'applique uniquement aux robinets Brizo® installés aux États-Unis d'Amérique, au Canada et au Mexique.

Limitation de la durée des garanties implicites: Veuillez noter qu'il est interdit, dans certains États ou certaines provinces (y compris le Québec), de limiter la durée d'une garantie implicite. Par conséquent, les limitations mentionnées ci-dessous peuvent ne pas s'appliquer à vous. Par conséquent, les limites mentionnées ci-dessous peuvent ne pas s'appliquer à vous. **DANS LA MESURE DE CE QUI EST PERMIS PAR LA LOI APPLICABLE, TOUTES LES GARANTIES IMPLICITES, Y COMPRIS LES GARANTIES IMPLICITES DE QUALITÉ MARCHANDE ET D'ADÉQUATION À UN USAGE PARTICULIER, SE LIMITENT À LA PÉRIODE FIXÉE PAR LA LOI OU À LA DURÉE DE LA PRÉSENTE GARANTIE, LA PLUS COURTE DES DEUX PÉRIODES S'APPLIQUANT.**

Limitation des dommages particuliers, consécutifs ou indirects: Veuillez noter qu'il est interdit dans certains États ou certaines provinces (y compris le Québec) d'exclure ou de limiter les dommages particuliers, consécutifs ou indirects. Par conséquent, les exclusions et les limitations mentionnées ci-dessous peuvent ne pas s'appliquer à vous. **DANS LA MESURE DE CE QUI EST PERMIS PAR LA LOI APPLICABLE, BRIZO KITCHEN & BATH COMPANY SE DÉGAGE DE TOUTE RESPONSABILITÉ À L'ÉGARD DES DOMMAGES PARTICULIERS, CONSÉCUTIFS OU INDIRECTS (Y COMPRIS LES FRAIS DE MAIN-D'ŒUVRE POUR LA RÉPARATION, LE REMPLACEMENT, L'INSTALLATION OU LA DÉPOSE DU PRODUIT), PEU IMPORTE QU'ILS DÉCOULENT D'UNE RUPTURE D'UNE GARANTIE IMPLICITE OU EXPLICITE, D'UNE RUPTURE DE CONTRAT, D'UN DÉLIT CIVIL OU D'UNE AUTRE CAUSE. BRIZO KITCHEN & BATH COMPANY SE DÉGAGE DE TOUTE RESPONSABILITÉ À L'ÉGARD DE TOUTE DÉTÉRIORATION DU ROBINET RÉSULTANT D'UNE USURE RAISONNABLE ET DES DOMMAGES CAUSÉS PAR UNE UTILISATION À L'EXTÉRIEUR, UN MAUVAIS USAGE (Y COMPRIS L'UTILISATION DU PRODUIT À DES FINS AUTRES QUE CELLES AUXQUELLES IL EST DESTINÉ), LE GEL DE L'EAU, UN USAGE ABUSIF, LA NÉGLIGENCE OU L'UTILISATION D'UNE MÉTHODE D'ASSEMBLAGE, D'INSTALLATION, DE MAINTENANCE OU DE RÉPARATION INCORRECTE OU INADÉQUATE, Y COMPRIS LES DOMMAGES RÉSULTANT DU NON-RESPECT DES INSTRUCTIONS D'INSTALLATION, DE NETTOYAGE ET D'ENTRETIEN APPLICABLES, ET CES DOMMAGES NE SONT PAS COUVERTS PAR LA GARANTIE. Avis à l'intention des résidents de l'État du New Jersey : Les dispositions de la présente garantie, y compris ses limites, s'appliquent dans toute la mesure permise par les lois de l'État du New Jersey.**

Droits supplémentaires: La présente garantie vous procure des droits particuliers reconnus par la loi. Vous pouvez aussi avoir d'autres droits qui varient selon l'État ou la province. La présente garantie écrite est la seule garantie offerte par Brizo Kitchen & Bath Company et elle n'est pas transférable.

Si vous avez des questions ou des préoccupations concernant notre garantie, veuillez communiquer avec nous de la manière indiquée ci-dessus ou visiter notre site Web à l'adresse www.brizo.com.

© 2023 Masco Société de l'Indiana