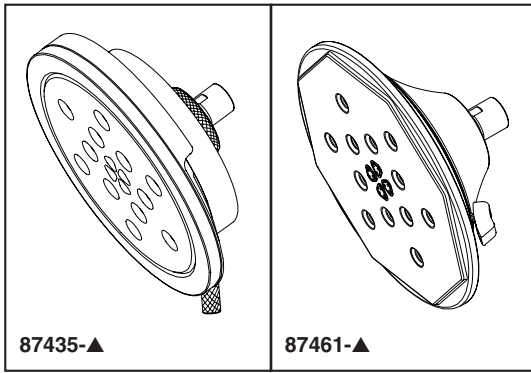


BRIZO®

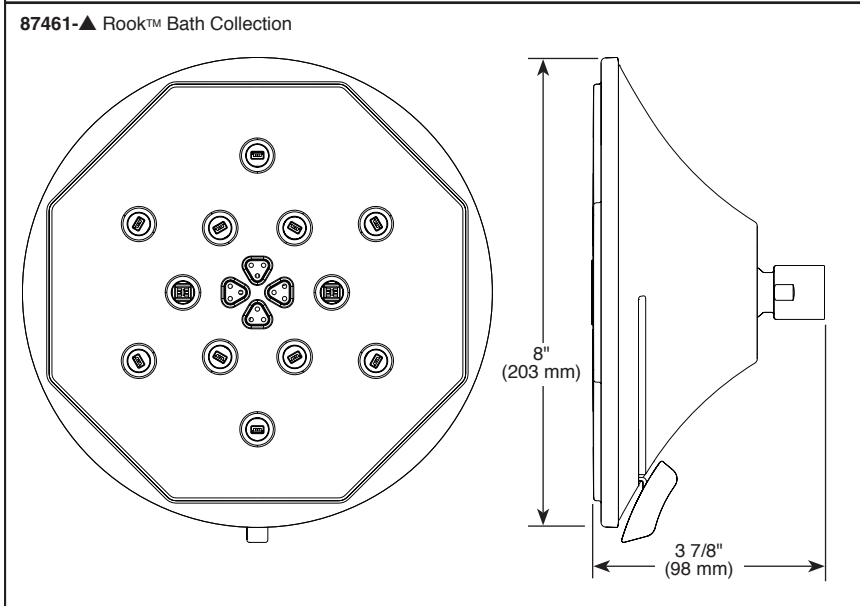
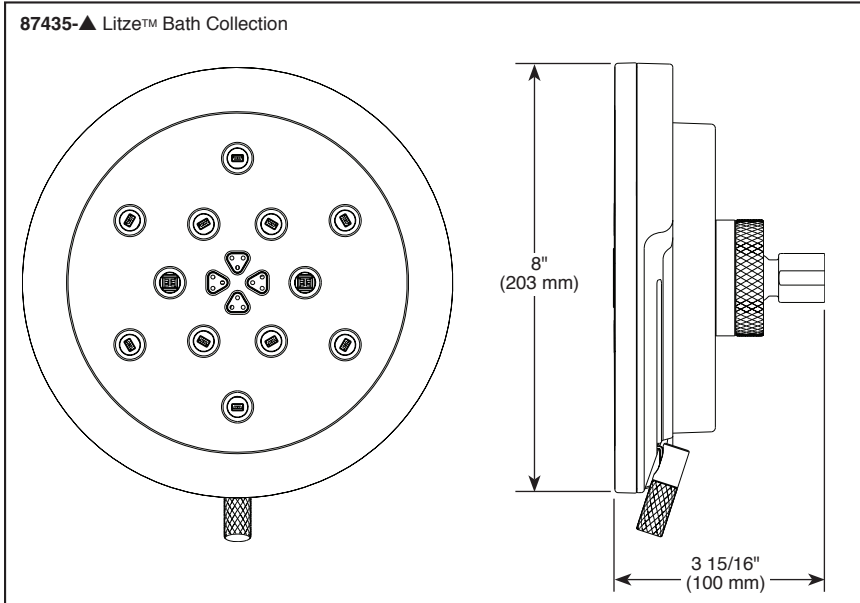
MULTI-FUNCTION SHOWERHEAD

■ 4-Function Showerhead Featuring H₂Okinetic Technology®



Submitted Model No.: _____

Specific Features: _____



STANDARD SPECIFICATIONS:

- Showerhead has 1/2"-14 NPSM female connection
- Max. 2.00 gpm @ 80 psi, 7.60 L/min @ 550 kPa
- Wrench flats for tightening
- Showerhead ball nut pivots, rotates and provides extra thread coverage
- Lever function control

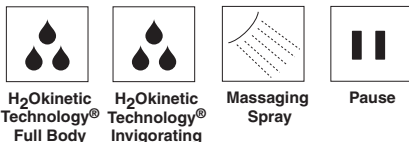
WARRANTY

- Lifetime limited warranty on parts (other than electronic parts and batteries) and finishes: or, for commercial users, for 5 years from date of purchase.
- 5 year limited warranty on electronic parts (other than batteries); or, for commercial users, for 1 year from the date of purchase. No warranty is provided on batteries.



COMPLIES WITH:

- ASME A112.18.1 / CSA B125.1
- EPA WaterSense®

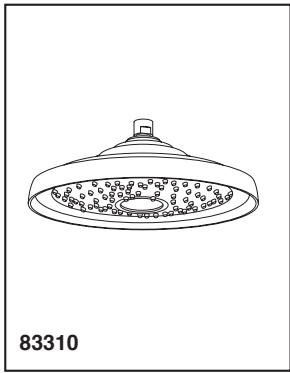


▲ Designate finish suffix

Brizo Kitchen & Bath Company reserves the right (1) to make changes in specifications and materials, and (2) to change or discontinue models, both without notice or obligation. Dimensions are for reference only. See current full-line price book or www.brizo.com for finish options and product availability.

BSP-B-87435 Rev. A

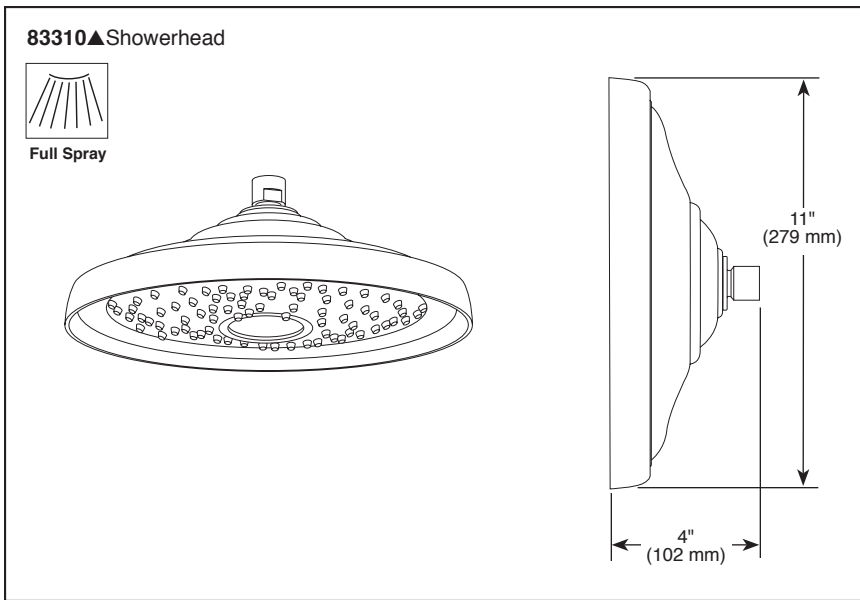
Brizo Kitchen & Bath Company
Indianapolis, Indiana 46280
A Division of Masco Corporation of Indiana
© 2016 Brizo Kitchen & Bath Company



83310

Submitted Model No.: _____

Specific Features: _____



▲ Designate proper finish suffix

BRIZO®

SHOWERHEAD

■ Traditional Showerhead

STANDARD SPECIFICATIONS:

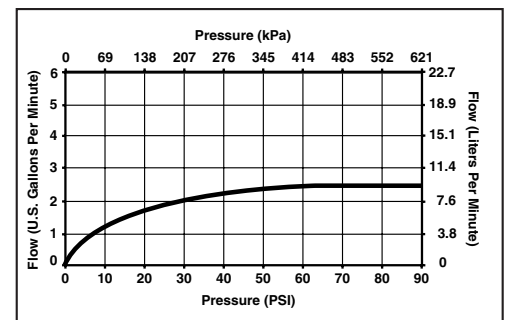
- Standard 1/2" pipe fitting.
- Max. 2.50 gpm @ 80 psi, 9.5 L/min @ 550 kPa
- Wrench flats for tightening.
- Solid fabricated brass showerhead.
- Showerhead is intended for ceiling supply only. Ball connector rotates but does not pivot.
- Please also order RP48985 (6") or RP48986 (10") ceiling supply.

WARRANTY

- Lifetime limited warranty on parts (other than electronic parts and batteries) and finishes; or, for commercial users, for 5 years from date of purchase.
- 5 year limited warranty on electronic parts (other than batteries); or, for commercial users, for 1 year from the date of purchase. No warranty is provided on batteries.

COMPLIES WITH:

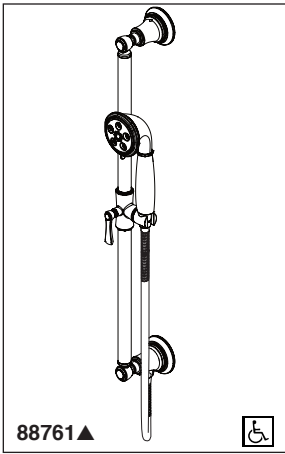
- ASME A112.18.1 / CSA B125.1



Brizo Kitchen & Bath Company reserves the right (1) to make changes in specifications and materials, and (2) to change or discontinue models, both without notice or obligation. Dimensions are for reference only. See current full-line price book or www.brizo.com for finish options and product availability.

DSP-B-83310 Rev. B

Brizo Kitchen & Bath Company
 Indianapolis, Indiana 46280
 A Division of Masco Corporation of Indiana
 © 2015 Brizo Kitchen & Bath Company



88761▲



BRIZO® HAND SHOWER W/ SLIDE BAR

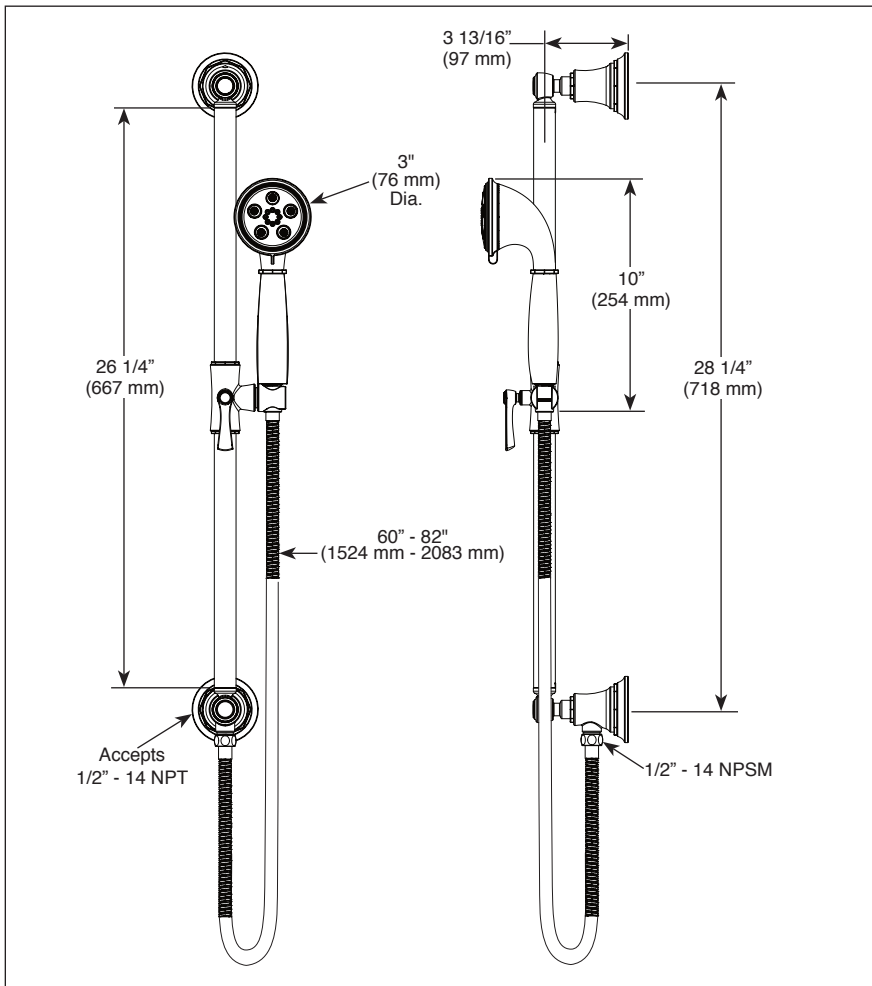
■ Rook™ Collection

FEATURES:

- Multi function handshower featuring H₂Okinetic Technology®

Submitted Model No.: _____

Specific Features: _____



STANDARD SPECIFICATIONS:

- 2.0 gpm @ 80 psi (7.6 L/min @ 552 kPa)
- Wall bar with adjustable slide (allows for adjustable shower height). Not to be used as a grab bar. Not ADA compliant
- 60-82" (1524mm-2083 mm) stretchable finished metal hose
- Wall bar includes integrated elbow for hose connection
- Slide bar can be installed with hose connection on top if desired

WARRANTY

- Lifetime limited warranty on parts (other than electronic parts and batteries) and finishes: or, for commercial users, for 5 years from date of purchase.
- 5 year limited warranty on electronic parts (other than batteries); or, for commercial users, for 1 year from the date of purchase. No warranty is provided on batteries.



▲ Designate proper finish suffix

Spray Pattern



H₂Okinetic
Technology®



Massaging
Spray



Pause

- ◆ Your Brizo Faucet hand shower incorporates a backflow protection system that has been tested to be in compliance with ASME A112.18.3. It incorporates two certified check valves in series, which operate independently and are integral, non-serviceable parts of the wand assembly.

Brizo Kitchen & Bath Company reserves the right (1) to make changes in specifications and materials, and (2) to change or discontinue models, both without notice or obligation. Dimensions are for reference only. See current full-line price book or www.brizo.com for finish options and product availability.

BSP-B-88761 Rev. A

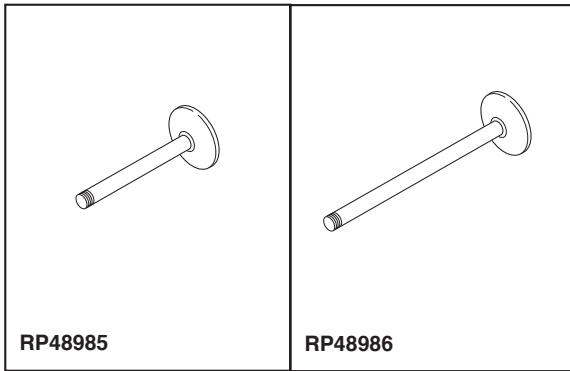
COMPLIES WITH:

- ASME A112.18.1 / CSA B125.1 ◆
- Indicates compliance to
 ICC/ANSI A117.1
- EPA WaterSense®

Brizo Kitchen & Bath Company
 Indianapolis, Indiana 46280
 A Division of Masco Corporation of Indiana
 © 2015 Brizo Kitchen & Bath Company

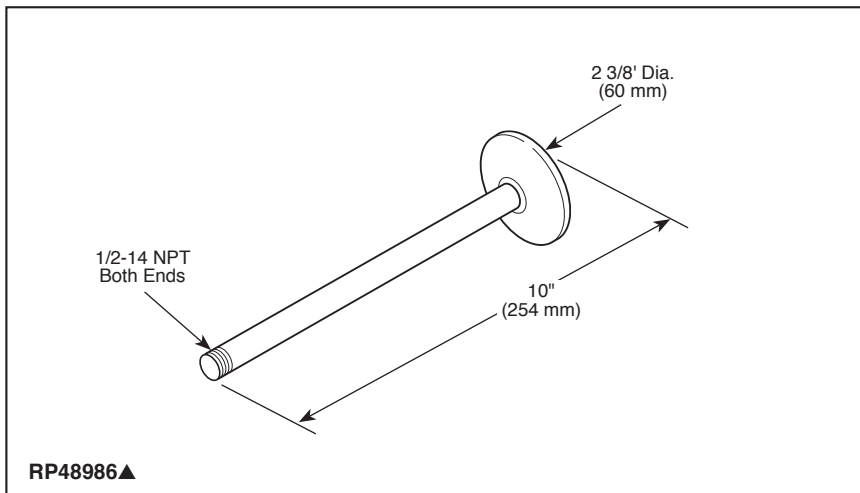
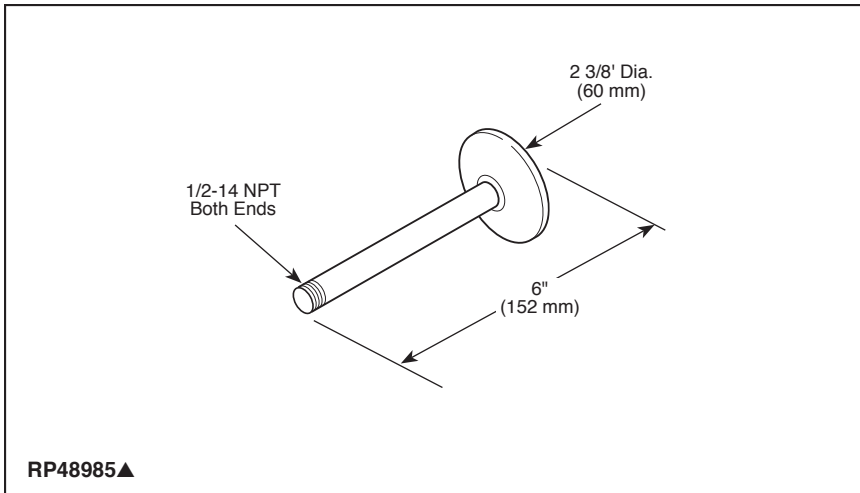
BRIZO®

CEILING MOUNT SHOWERARMS AND FLANGE



Submitted Model No.: _____

Specific Features: _____



▲Designate proper finish suffix

STANDARD SPECIFICATIONS:

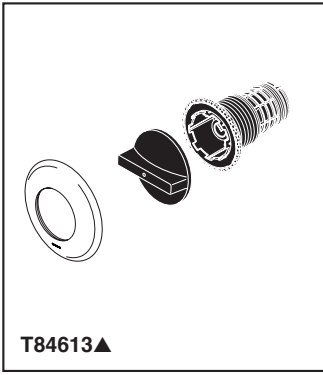
- Nipples and flange are of solid brass construction.
- Adjustable flange is held in place on showerarm by rubber friction ring.

WARRANTY

- Lifetime limited warranty on parts (other than electronic parts and batteries) and finishes: or, for commercial users, for 5 years from date of purchase.
- 5 year limited warranty on electronic parts (other than batteries); or, for commercial users, for 1 year from the date of purchase. No warranty is provided on batteries.

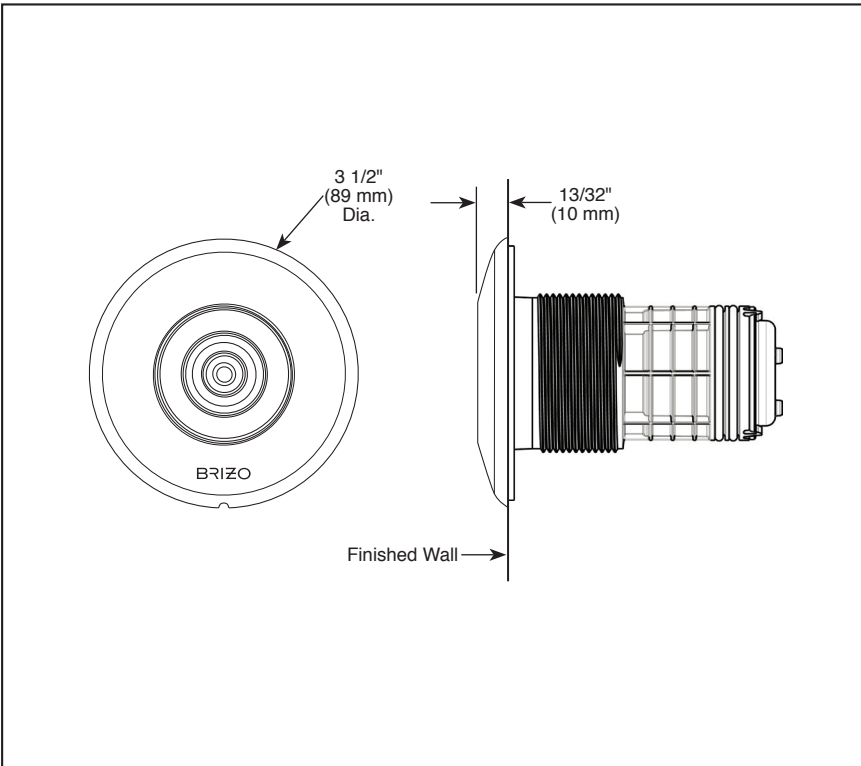
COMPLIES WITH:

- ASME A112.18.1 / CSA B125.1



Submitted Model No.: _____

Specific Features: _____



▲ Designate proper finish suffix

BRIZO®

HYDRACHOICE™ MAX ROUND BODY SPRAY TRIM

■ 1.5 GPM

STANDARD SPECIFICATIONS

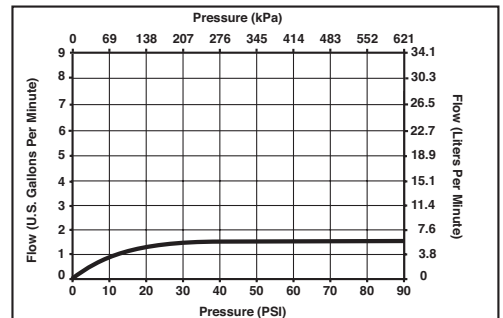
- Flush mount installation.
- Must also order rough (R84100) and spray heads (SH84100▲, SH84101▲, SH84102▲, or SH84103▲) separately.
- 1.5 gpm @ 80 PSI, 5.7 L/min @ 550 kPa.

WARRANTY

- Lifetime limited warranty on parts (other than electronic parts and batteries) and finishes: or, for commercial users, for 5 years from date of purchase.
- 5 year limited warranty on electronic parts (other than batteries); or, for commercial users, for 1 year from the date of purchase. No warranty is provided on batteries.

COMPLIES WITH:

- ASME A112.18.1 / CSA B125.1



Delta reserves the right (1) to make changes in specifications and materials, and (2) to change or discontinue models, both without notice or obligation. Dimensions are for reference only. See current full-line price book or www.brizo.com for finish options and product availability.

BSP-B-T84613 Rev. B

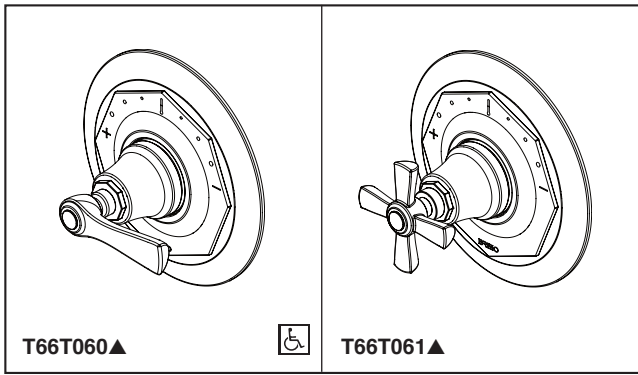
Delta Faucet Company
Indianapolis, Indiana 46280
A Division of Masco Corporation of Indiana
© 2014 Masco Corporation of Indiana

BRIZO[®]

SENSORI[®]

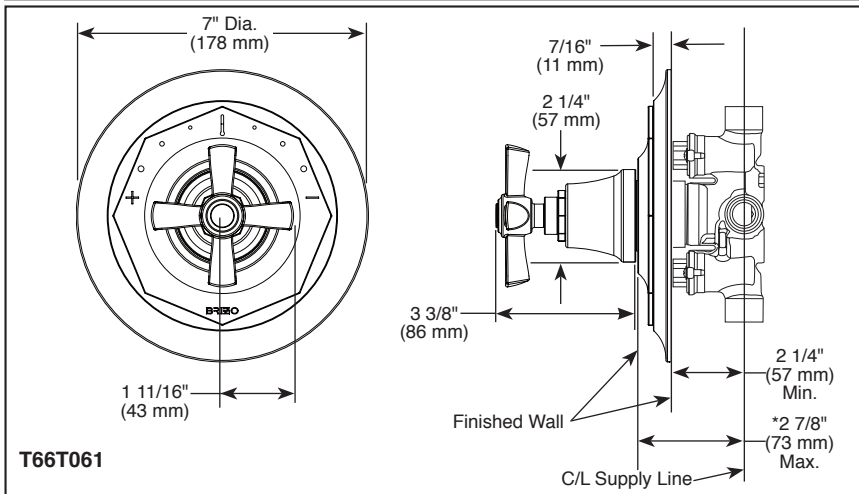
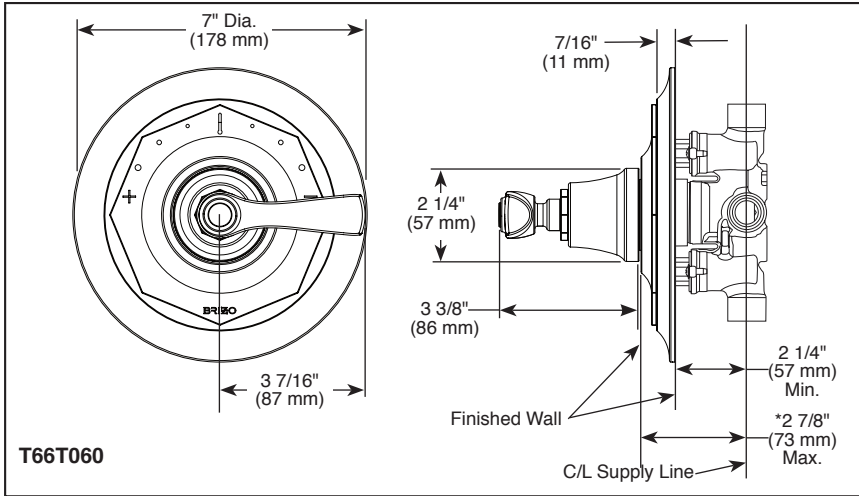
CUSTOM SHOWER TRIM

- Rook™ Collection
- Thermostatic Control Trim

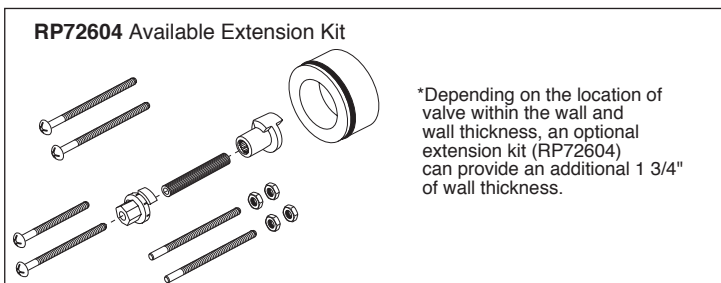


Submitted Model No.: _____

Specific Features: _____



▲ Designate proper finish suffix



FEATURES:

- Sensori[®] thermostatic control

STANDARD SPECIFICATIONS

- Must also order R66000-WS rough valve body
- Includes Sensori[®] thermostatic cartridge
- Thermostatic wax element maintains the outlet temperature to +/- 3.6° F
- Handle controls temperature only; must be used with one or more Sensori[®] volume controls
- Field adjustable to limit rotation into hot water zone
- All parts are replaceable from the front of the valve
- Adjusts for up to 5/8" wall thickness
- Rough extension kit (RP72604) available

WARRANTY

- Lifetime limited warranty on parts (other than electronic parts and batteries) and finishes; or, for commercial users, for 5 years from date of purchase.
- 5 year limited warranty on electronic parts (other than batteries); or, for commercial users, for 1 year from the date of purchase. No warranty is provided on batteries.

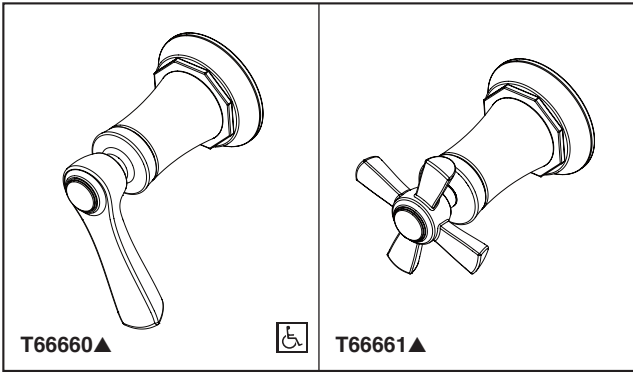
COMPLETE VALVE COMPLIES WITH:

- ASME A1 12.18.1 / CSA B1 25.1
-  Indicates compliance to ICC/ANSI A117.1

Brizo Kitchen & Bath Company reserves the right (1) to make changes in specifications and materials, and (2) to change or discontinue models, both without notice or obligation. Dimensions are for reference only. See current full-line price book or www.brizo.com for finish options and product availability.

BSP-B-T66T060 Rev. B

Brizo Kitchen & Bath Company
Indianapolis, Indiana 46280
A Division of Masco Corporation of Indiana
© 2015 Brizo Kitchen & Bath Company



BRIZO[®]

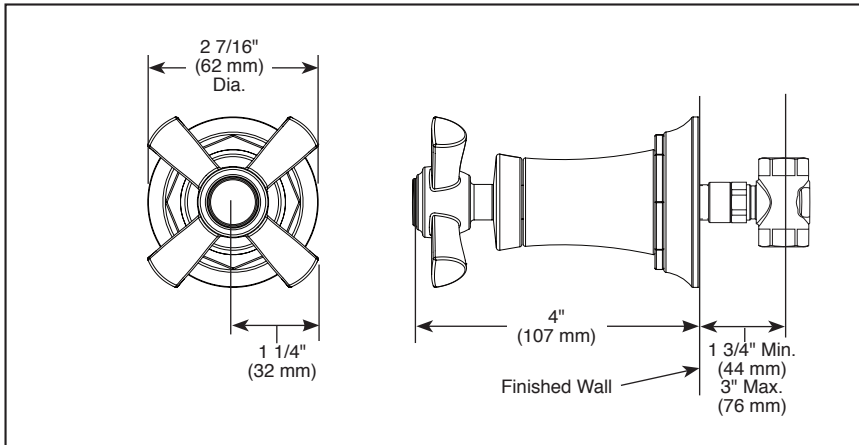
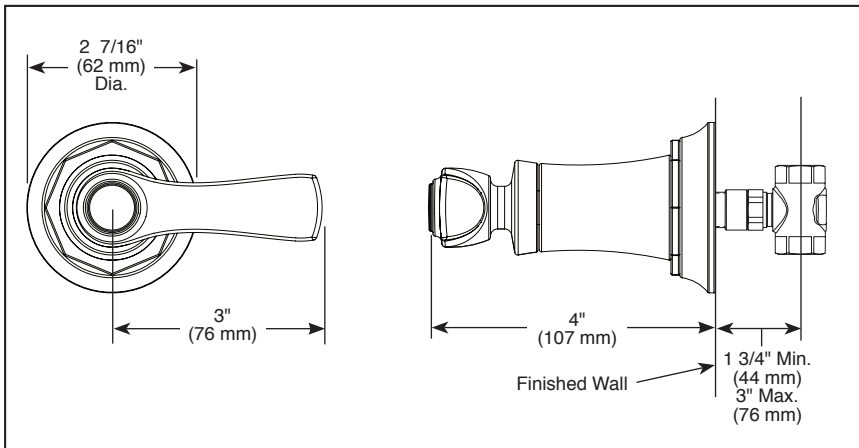
SENSORI[®]

CUSTOM SHOWER TRIM

- Rook™ Collection
- Volume Control Trim

Submitted Model No.: _____

Specific Features: _____



▲ Designate proper finish suffix



STANDARD SPECIFICATIONS

- Must also order R66600 Rough-In
- 180° handle rotation controls volume only
- Volume controls are required for every outlet and every set of body sprays (up to 7.7 gpm @ 60 PSI)
- All parts are replaceable from the front
- Adjusts for wall thickness variations
- Recommended working pressure of 45-80 PSI
- Volume control only; must be used with temperature control device
- Rough extension kit (RP74456) available

WARRANTY

- Lifetime limited warranty on parts (other than electronic parts and batteries) and finishes; or, for commercial users, for 5 years from date of purchase.
- 5 year limited warranty on electronic parts (other than batteries); or, for commercial users, for 1 year from the date of purchase. No warranty is provided on batteries.

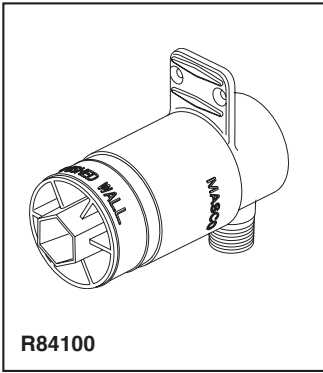
COMPLIES WITH:

- ASME A112.18.1 / CSA B125.1
- ☐ Indicates compliance to ICC/ANSI A117.1- Valve control only

Brizo Kitchen & Bath Company reserves the right (1) to make changes in specifications and materials, and (2) to change or discontinue models, both without notice or obligation. Dimensions are for reference only. See current full-line price book or www.brizo.com for finish options and product availability.

BSP-B-T66660 Rev. B

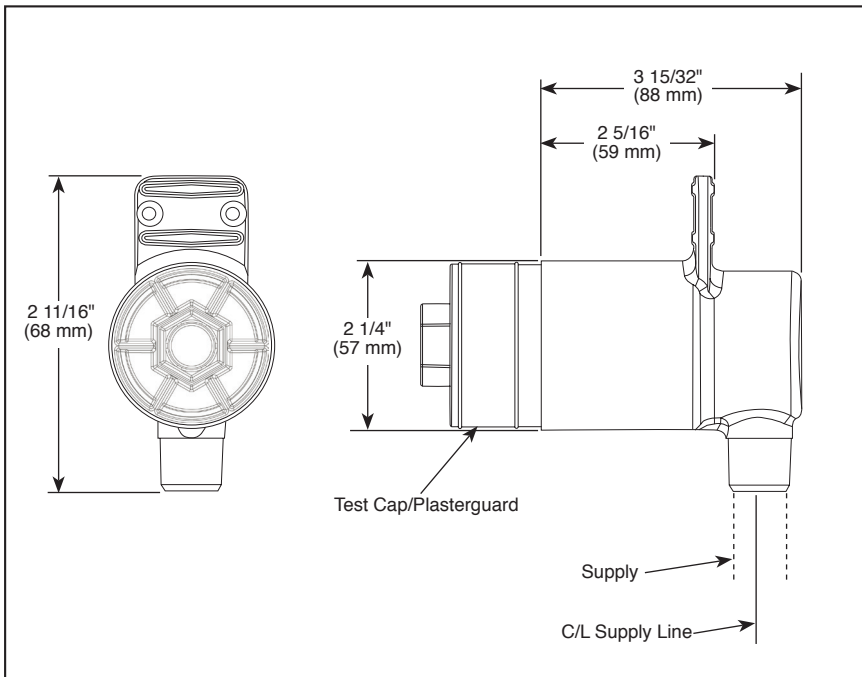
Brizo Kitchen & Bath Company
 Indianapolis, Indiana 46280
 A Division of Masco Corporation of Indiana
 © 2015 Brizo Kitchen & Bath Company



R84100

Submitted Model No.: _____

Specific Features: _____



▲ Designate proper finish suffix

BRIZO®

HYDRACHOICE™ ROUGH VALVE BODY

- R84100 (Case Qty. 3)
- 1/2" Rough-In

STANDARD SPECIFICATIONS

- 2 9/16" thru hole in wall.
- Forged brass body.
- Includes test cap and plasterguard.
- Can be tested with air (200 psi) or water (300 psi) using supplied test cap.
- Accommodates up to 3" wall thickness.
- Must also order trim (T84613▲ or T84913▲) and spray heads (SH84100▲, SH84101▲, SH84102▲, or SH84103▲) separately.

WARRANTY

- Lifetime limited warranty on parts (other than electronic parts and batteries) and finishes; or, for commercial users, for 5 years from date of purchase.
- 5 year limited warranty on electronic parts (other than batteries); or, for commercial users, for 1 year from the date of purchase. No warranty is provided on batteries.



COMPLIES WITH:

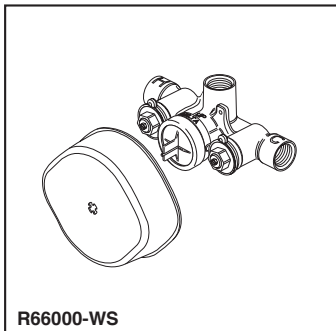
- ASME A112.18.1 / CSA B125.1

Delta reserves the right (1) to make changes in specifications and materials, and (2) to change or discontinue models, both without notice or obligation. Dimensions are for reference only. See current full-line price book or www.brizo.com for finish options and product availability.

BSP-B-R84100 Rev. A

Delta Faucet Company

55 E. 111th Street, Indianapolis, Indiana 46280
350 South Edgeware Road, St. Thomas, ON N5P 4L1
© 2014 Masco Corporation of Indiana



R66000-WS

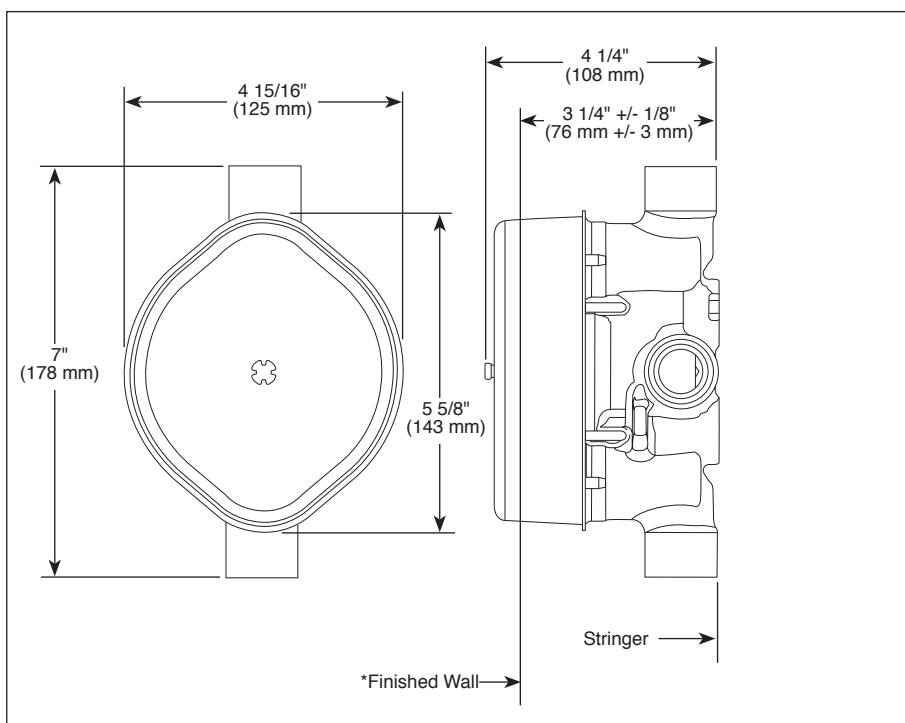
Submitted Model No.: _____

Specific Features: _____

BRIZO®

SENSORI® CUSTOM SHOWER ROUGH VALVE BODY

- R66000-WS
- Thermostatic Temperature Control Rough
- 3/4" Rough-In



STANDARD SPECIFICATIONS:

- Forged brass body.
- Can be tested with air (200 PSI) or water (300 PSI) without valve, using supplied test cap.
- For use with Sensori® thermostatic trim. Cartridge ships with trim.
- Includes stops.

WARNING: No back to back installation is allowed with this product.

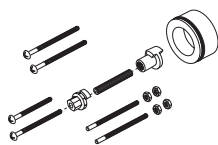
WARRANTY

- Lifetime limited warranty on parts (other than electronic parts and batteries) and finishes: or, for commercial users, for 5 years from date of purchase.
- 5 year limited warranty on electronic parts (other than batteries); or, for commercial users, for 1 year from the date of purchase. No warranty is provided on batteries.

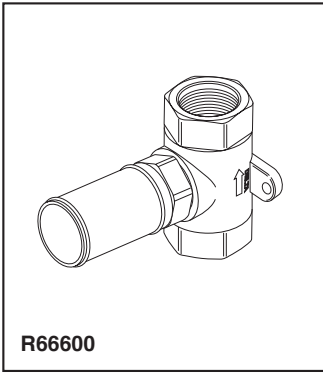
COMPLIES WITH:

- ASME A112.18.1 / CSA B125.1

RP72604▲ Available Extension Kit

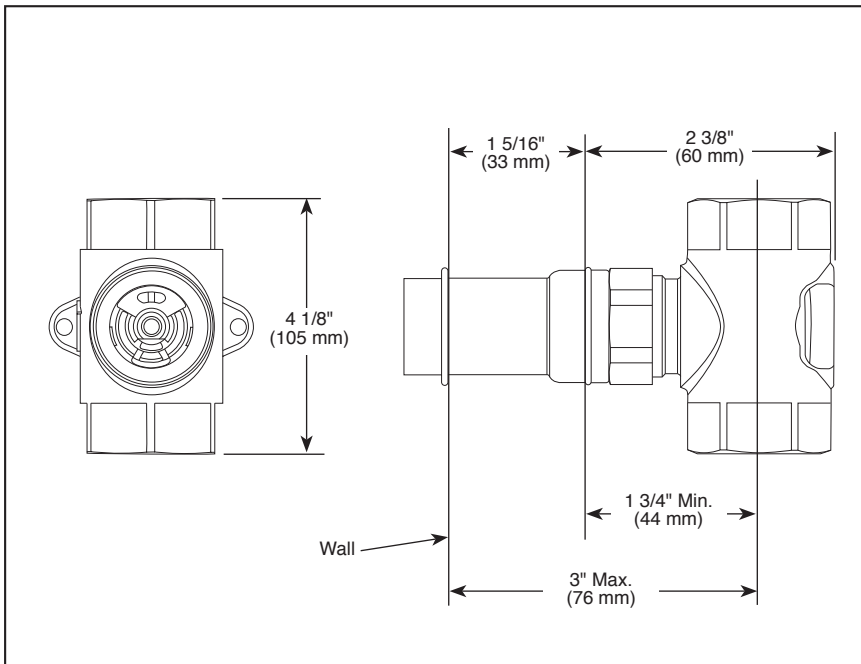


*Depending on the location of valve within the wall and wall thickness an optional extension kit (RP72604) can provide an additional 1 3/4" of wall thickness.



Submitted Model No.: _____

Specific Features: _____



BRIZO®

SENSORI® CUSTOM SHOWER ROUGH

- R66600
- Volume Control Rough
- 3/4" Rough-In

STANDARD SPECIFICATIONS

- Forged brass body.
- Includes ceramic stem assembly.
- All parts are replaceable from the front.
- Recommended working pressure of 45-80 PSI.
- Volume controls are required for every outlet and every set of body sprays (up to 7.7 gpm @ 60 psi).
- Volume control only: must be used with temperature control device.

WARRANTY

- Lifetime limited warranty on parts (other than electronic parts and batteries) and finishes: or, for commercial users, for 5 years from date of purchase.
- 5 year limited warranty on electronic parts (other than batteries); or, for commercial users, for 1 year from the date of purchase. No warranty is provided on batteries.

COMPLIES WITH:

- ASME A112.18.1 / CSA B125.1

Delta reserves the right (1) to make changes in specifications and materials, and (2) to change or discontinue models, both without notice or obligation. Dimensions are for reference only. See current full-line price book or www.brizo.com for finish options and product availability.

BSP-B-R66600 Rev. D

Delta Faucet Company
Indianapolis, Indiana 46280
A Division of Masco Corporation of Indiana
© 2014 Masco Corporation of Indiana