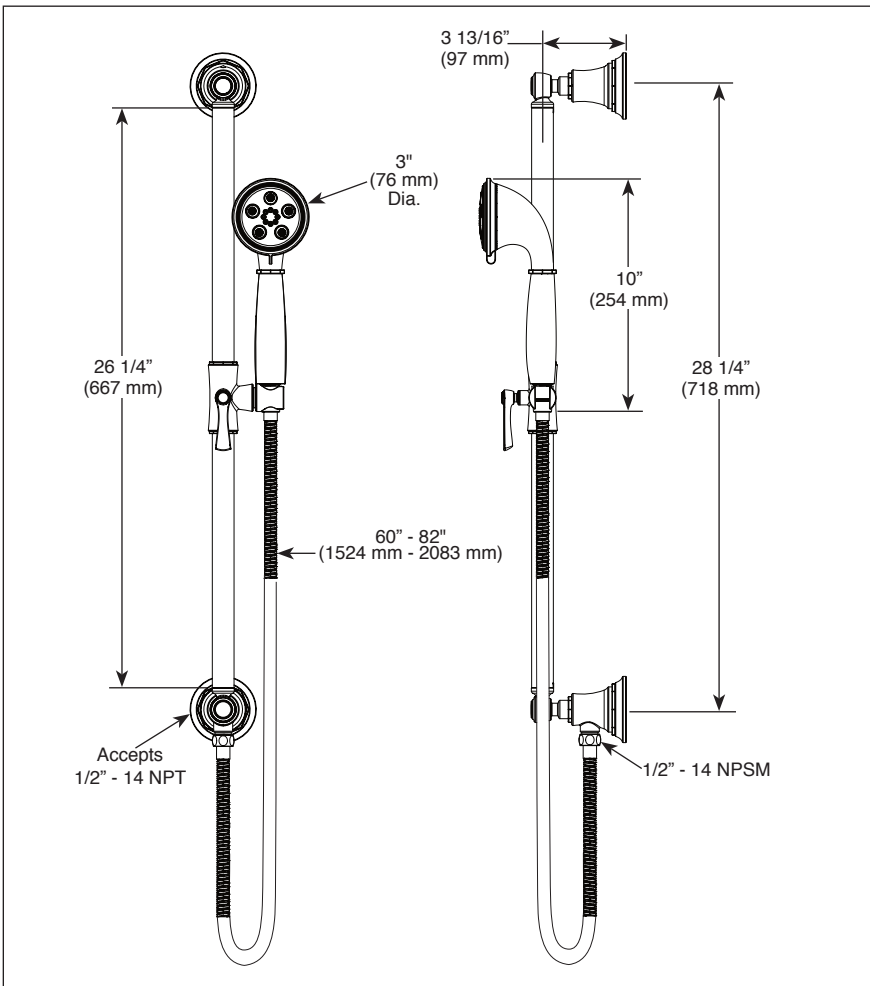


88761▲



Submitted Model No.: _____

Specific Features: _____



▲ Designate proper finish suffix

Spray Pattern



H₂Okinetic
Technology®



Massaging
Spray



Pause

◆ Your Brizo Faucet hand shower incorporates a backflow protection system that has been tested to be in compliance with ASME A112.18.3. It incorporates two certified check valves in series, which operate independently and are integral, non-serviceable parts of the wand assembly.

Brizo Kitchen & Bath Company reserves the right (1) to make changes in specifications and materials, and (2) to change or discontinue models, both without notice or obligation. Dimensions are for reference only. See current full-line price book or www.brizo.com for finish options and product availability.

BSP-B-88761 Rev. A

BRIZO® HAND SHOWER W/ SLIDE BAR

■ Rook™ Collection

FEATURES:

- Multi function handshower featuring H₂Okinetic Technology®

STANDARD SPECIFICATIONS:

- 2.0 gpm @ 80 psi (7.6 L/min @ 552 kPa)
- Wall bar with adjustable slide (allows for adjustable shower height). Not to be used as a grab bar. Not ADA compliant
- 60-82" (1524mm-2083 mm) stretchable finished metal hose
- Wall bar includes integrated elbow for hose connection
- Slide bar can be installed with hose connection on top if desired

WARRANTY

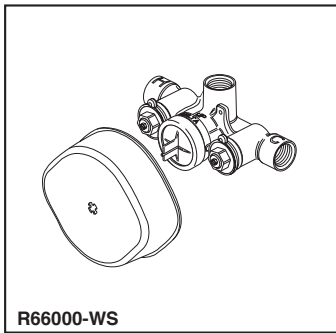
- Lifetime limited warranty on parts (other than electronic parts and batteries) and finishes: or, for commercial users, for 5 years from date of purchase.
- 5 year limited warranty on electronic parts (other than batteries); or, for commercial users, for 1 year from the date of purchase. No warranty is provided on batteries.



COMPLIES WITH:

- ASME A112.18.1 / CSA B125.1 ◆
- Indicates compliance to ICC/ANSI A117.1
- EPA WaterSense®

Brizo Kitchen & Bath Company
Indianapolis, Indiana 46280
A Division of Masco Corporation of Indiana
© 2015 Brizo Kitchen & Bath Company



R66000-WS

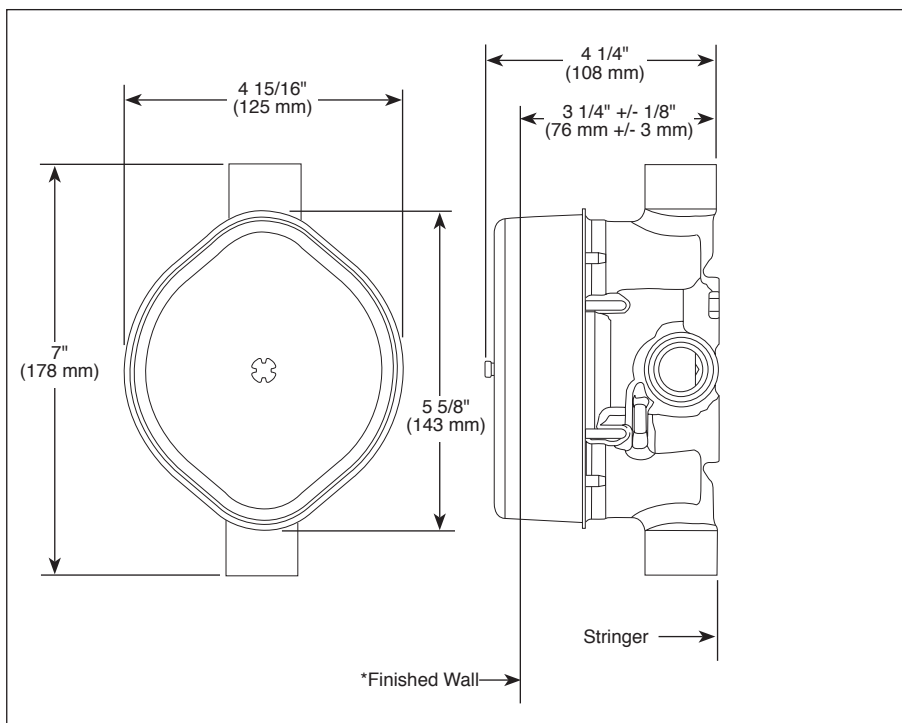
Submitted Model No.: _____

Specific Features: _____

BRIZO®

SENSORI® CUSTOM SHOWER ROUGH VALVE BODY

- R66000-WS
- Thermostatic Temperature Control Rough
- 3/4" Rough-In



STANDARD SPECIFICATIONS:

- Forged brass body.
- Can be tested with air (200 PSI) or water (300 PSI) without valve, using supplied test cap.
- For use with Sensori® thermostatic trim. Cartridge ships with trim.
- Includes stops.

WARNING: No back to back installation is allowed with this product.

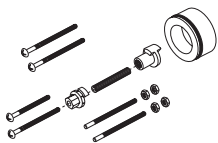
WARRANTY

- Lifetime limited warranty on parts (other than electronic parts and batteries) and finishes: or, for commercial users, for 5 years from date of purchase.
- 5 year limited warranty on electronic parts (other than batteries); or, for commercial users, for 1 year from the date of purchase. No warranty is provided on batteries.

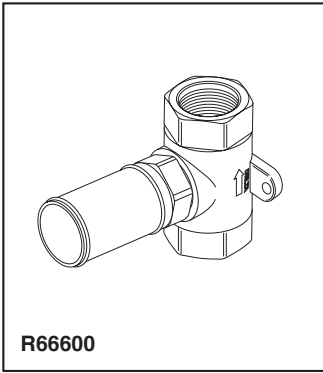
COMPLIES WITH:

- ASME A112.18.1 / CSA B125.1

RP72604▲ Available Extension Kit

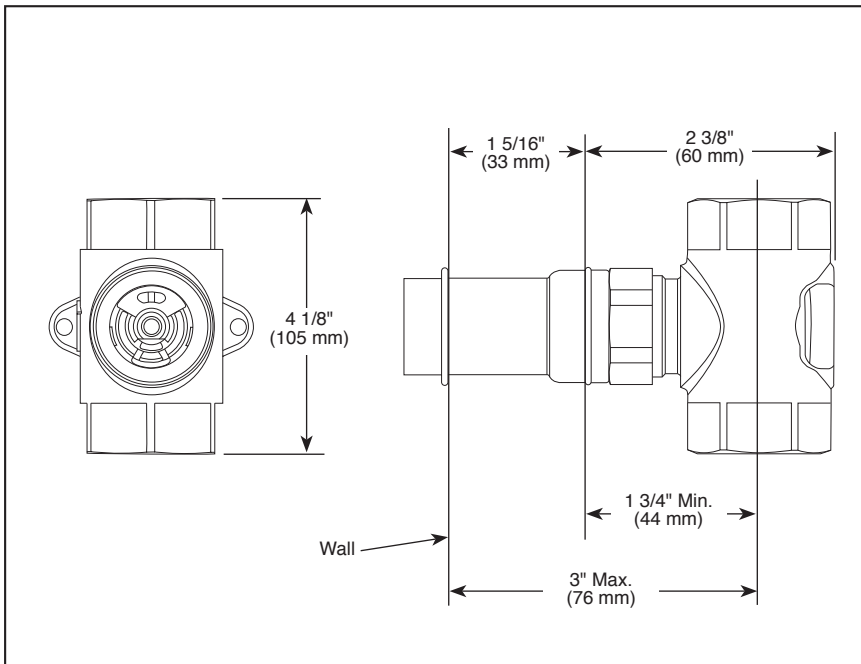


*Depending on the location of valve within the wall and wall thickness an optional extension kit (RP72604) can provide an additional 1 3/4" of wall thickness.



Submitted Model No.: _____

Specific Features: _____



BRIZO®

SENSORI® CUSTOM SHOWER ROUGH

- R66600
- Volume Control Rough
- 3/4" Rough-In

STANDARD SPECIFICATIONS

- Forged brass body.
- Includes ceramic stem assembly.
- All parts are replaceable from the front.
- Recommended working pressure of 45-80 PSI.
- Volume controls are required for every outlet and every set of body sprays (up to 7.7 gpm @ 60 psi).
- Volume control only: must be used with temperature control device.

WARRANTY

- Lifetime limited warranty on parts (other than electronic parts and batteries) and finishes: or, for commercial users, for 5 years from date of purchase.
- 5 year limited warranty on electronic parts (other than batteries); or, for commercial users, for 1 year from the date of purchase. No warranty is provided on batteries.

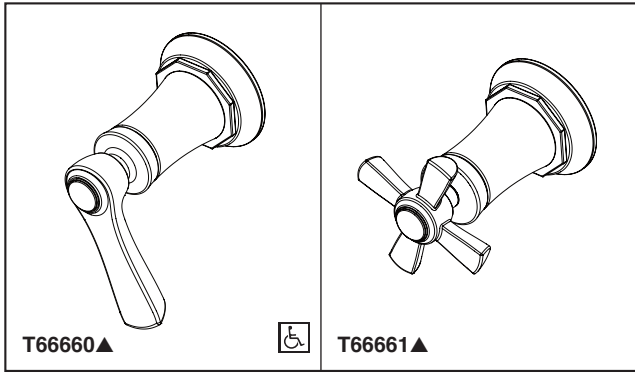
COMPLIES WITH:

- ASME A112.18.1 / CSA B125.1

Delta reserves the right (1) to make changes in specifications and materials, and (2) to change or discontinue models, both without notice or obligation. Dimensions are for reference only. See current full-line price book or www.brizo.com for finish options and product availability.

BSP-B-R66600 Rev. D

Delta Faucet Company
Indianapolis, Indiana 46280
A Division of Masco Corporation of Indiana
© 2014 Masco Corporation of Indiana



BRIZO[®]

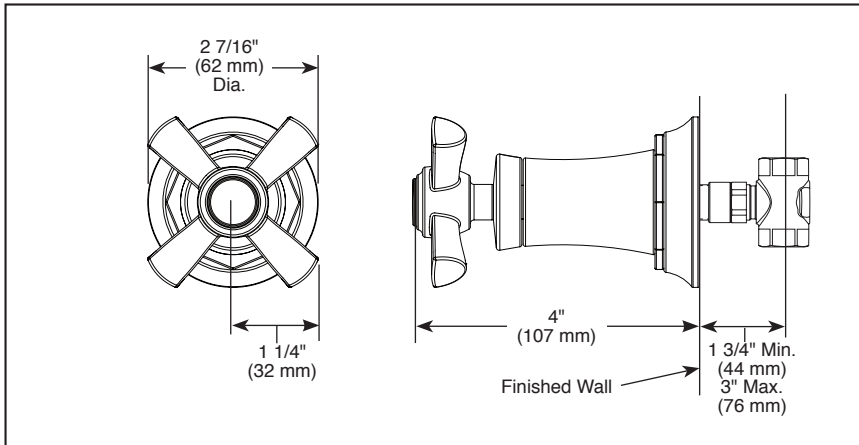
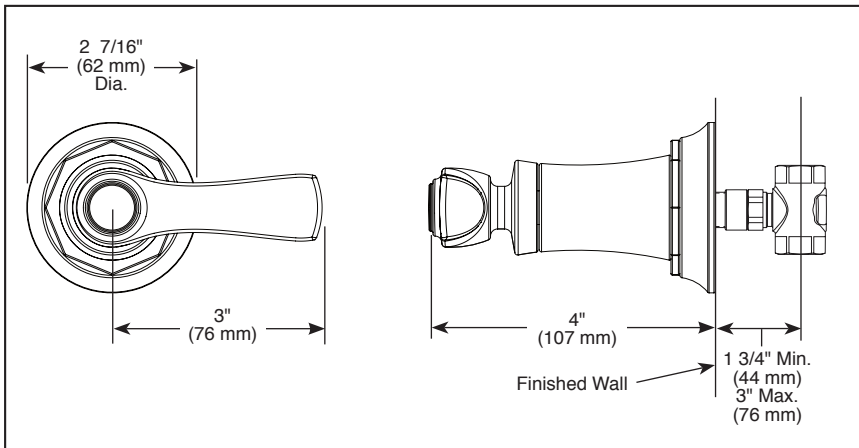
SENSORI[®]

CUSTOM SHOWER TRIM

- Rook™ Collection
- Volume Control Trim

Submitted Model No.: _____

Specific Features: _____



▲ Designate proper finish suffix



STANDARD SPECIFICATIONS

- Must also order R66600 Rough-In
- 180° handle rotation controls volume only
- Volume controls are required for every outlet and every set of body sprays (up to 7.7 gpm @ 60 PSI)
- All parts are replaceable from the front
- Adjusts for wall thickness variations
- Recommended working pressure of 45-80 PSI
- Volume control only; must be used with temperature control device
- Rough extension kit (RP74456) available

WARRANTY

- Lifetime limited warranty on parts (other than electronic parts and batteries) and finishes; or, for commercial users, for 5 years from date of purchase.
- 5 year limited warranty on electronic parts (other than batteries); or, for commercial users, for 1 year from the date of purchase. No warranty is provided on batteries.

COMPLIES WITH:

- ASME A112.18.1 / CSA B125.1
-  Indicates compliance to ICC/ANSI A117.1- Valve control only

Brizo Kitchen & Bath Company reserves the right (1) to make changes in specifications and materials, and (2) to change or discontinue models, both without notice or obligation. Dimensions are for reference only. See current full-line price book or www.brizo.com for finish options and product availability.

BSP-B-T66660 Rev. B

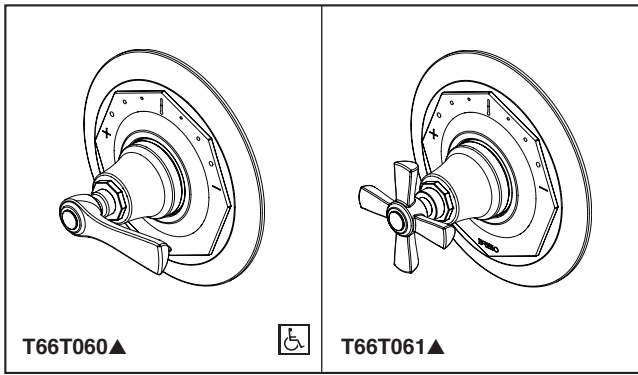
Brizo Kitchen & Bath Company
 Indianapolis, Indiana 46280
 A Division of Masco Corporation of Indiana
 © 2015 Brizo Kitchen & Bath Company

BRIZO[®]

SENSORI[®]

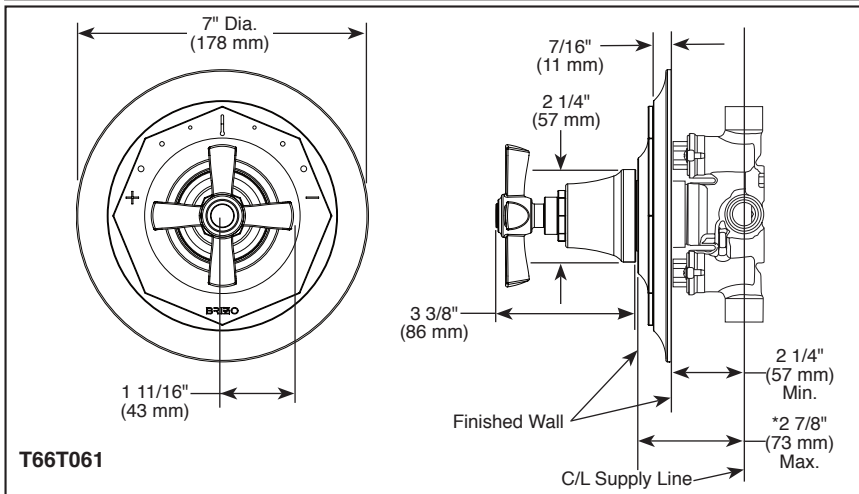
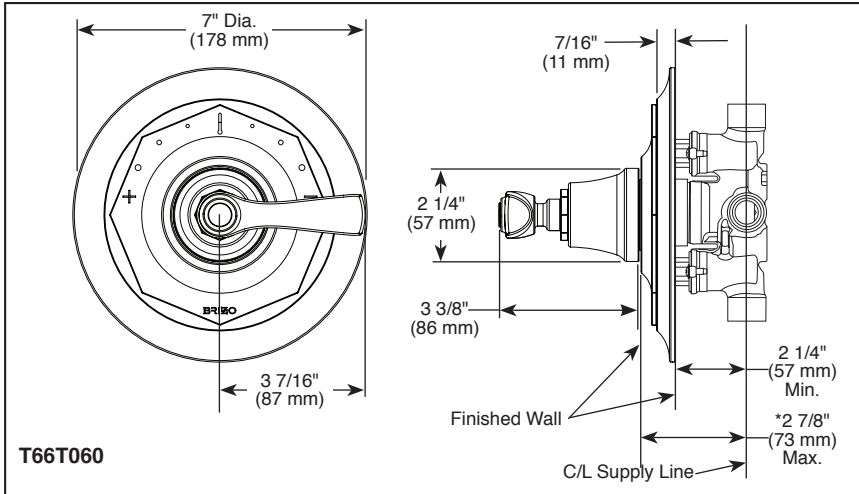
CUSTOM SHOWER TRIM

- Rook™ Collection
- Thermostatic Control Trim

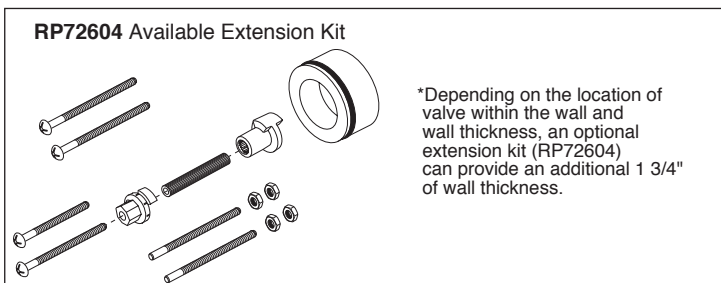


Submitted Model No.: _____

Specific Features: _____



▲ Designate proper finish suffix



FEATURES:

- Sensori[®] thermostatic control

STANDARD SPECIFICATIONS

- Must also order R66000-WS rough valve body
- Includes Sensori[®] thermostatic cartridge
- Thermostatic wax element maintains the outlet temperature to +/- 3.6° F
- Handle controls temperature only; must be used with one or more Sensori[®] volume controls
- Field adjustable to limit rotation into hot water zone
- All parts are replaceable from the front of the valve
- Adjusts for up to 5/8" wall thickness
- Rough extension kit (RP72604) available

WARRANTY

- Lifetime limited warranty on parts (other than electronic parts and batteries) and finishes; or, for commercial users, for 5 years from date of purchase.
- 5 year limited warranty on electronic parts (other than batteries); or, for commercial users, for 1 year from the date of purchase. No warranty is provided on batteries.

COMPLETE VALVE COMPLIES WITH:

- ASME A1 12.18.1 / CSA B1 25.1
- Indicates compliance to ICC/ANSI A117.1

Brizo Kitchen & Bath Company reserves the right (1) to make changes in specifications and materials, and (2) to change or discontinue models, both without notice or obligation. Dimensions are for reference only. See current full-line price book or www.brizo.com for finish options and product availability.

BSP-B-T66T060 Rev. B

Brizo Kitchen & Bath Company
Indianapolis, Indiana 46280
A Division of Masco Corporation of Indiana
© 2015 Brizo Kitchen & Bath Company