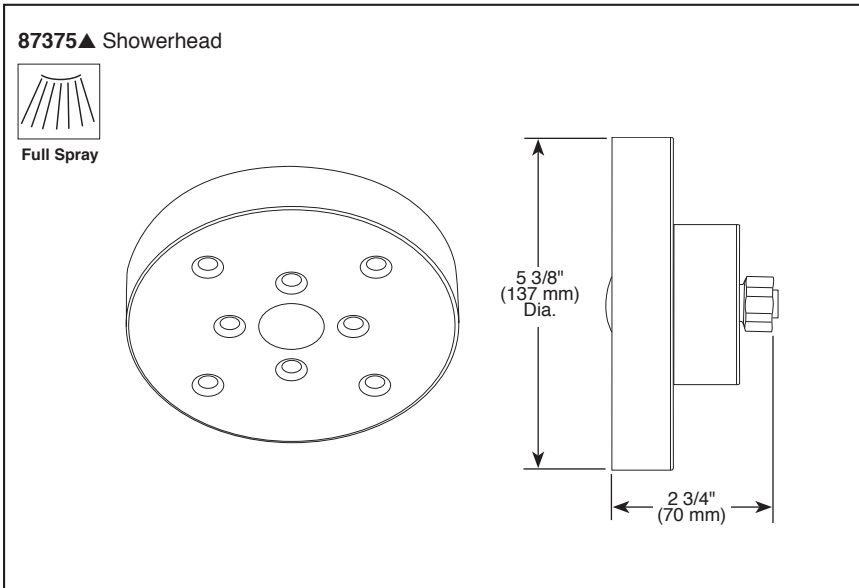


Submitted Model No.: _____

Specific Features: _____



▲ Designate proper finish suffix

BRIZO®

RAINCAN SHOWERHEAD

- Odin™ Bath Collection
- Showerhead Featuring H₂Okinetic Technology®
- 2.0 GPM Max @ 80 PSI

STANDARD SPECIFICATIONS:

- H₂Okinetic Technology® single function showerhead.
- Finished sprayface matches shell finish.
- Showerhead has 1/2"-14 NPSM female connection.
- 2.0 gpm @ 80 PSI.
- Wrench flats for tightening.
- Showerhead ball nut pivots and rotates.

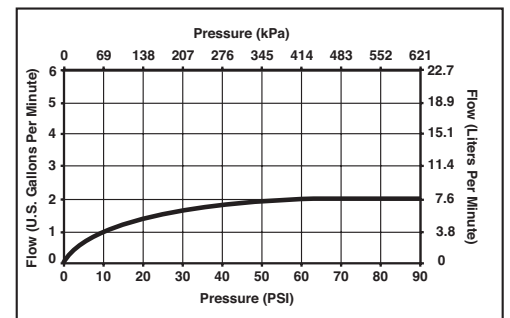
WARRANTY

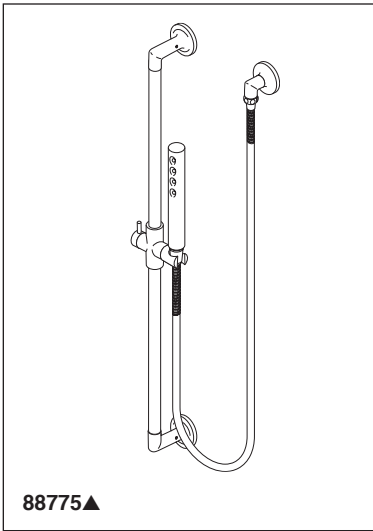
- Lifetime Faucet and Finish Limited Warranty to the original consumer purchaser to be free from defects in material and workmanship.
- 5 Year Limited Warranty for usage in all industrial, commercial and business applications.



COMPLIES WITH:

- ASME A112.18.1 / CSA B125.1
- EPA WaterSense®



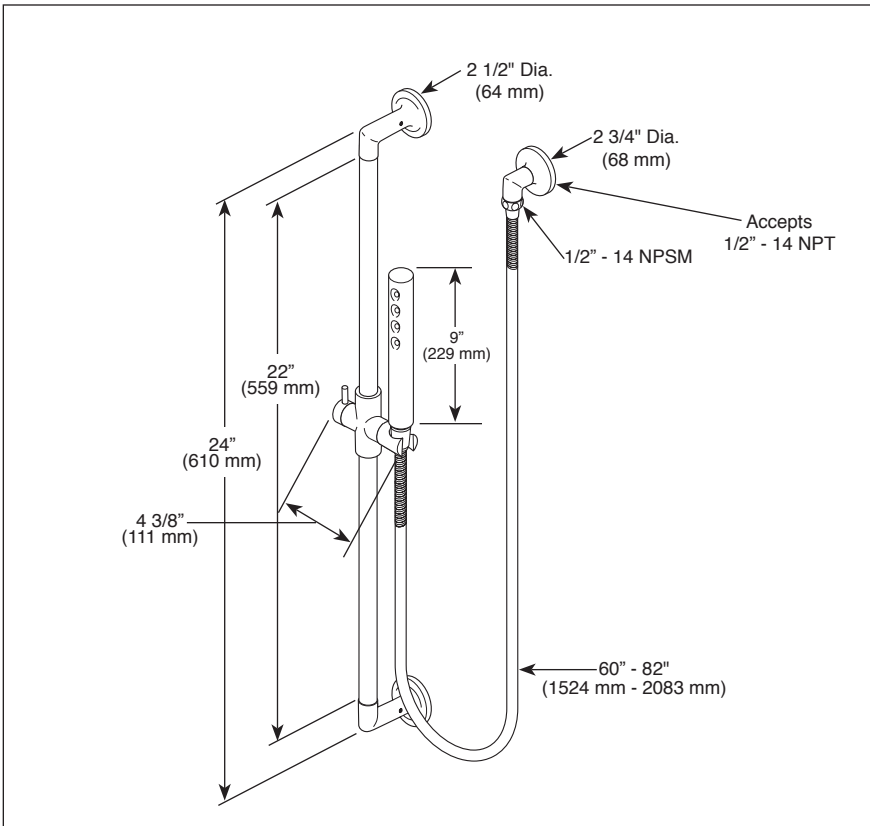


BRIZO® HAND SHOWER W/ SLIDE BAR

- Odin™ Bath Collection
- H₂Okinetic Technology®

Submitted Model No.: _____

Specific Features: _____



▲ Designate proper finish suffix

Spray Pattern



Full Spray

STANDARD SPECIFICATIONS:

- 2.0 gpm @ 80 psi (7.6 L/min @ 552 kPa)
- Hand shower with full spray pattern.
- Certified dual check valves.
- 24" (610 mm) wall bar with adjustable slide (allows for adjustable shower height). Not to be used as a Grab Bar. Not ADA compliant.
- 60" - 82" (1524 mm - 2083 mm) stretchable finished metal hose.

WARRANTY

- Lifetime limited warranty on parts (other than electronic parts and batteries) and finishes: or, for commercial users, for 5 years from date of purchase.
- 5 year limited warranty on electronic parts (other than batteries); or, for commercial users, for 1 year from the date of purchase. No warranty is provided on batteries.



COMPLIES WITH:

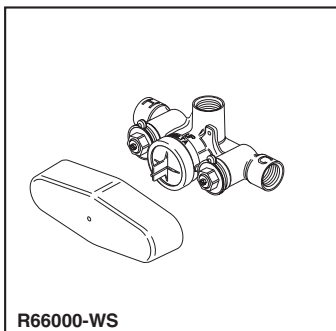
- ASME A112.18.1 / CSA B125.1
- EPA WaterSense®

Delta reserves the right (1) to make changes in specifications and materials, and (2) to change or discontinue models, both without notice or obligation. Dimensions are for reference only. See current full-line price book or www.brizo.com for finish options and product availability.

BSP-B-88775 Rev. B

Delta Faucet Company

Indianapolis, Indiana 46280
A Division of Masco Corporation of Indiana
© 2014 Masco Corporation of Indiana



R66000-WS

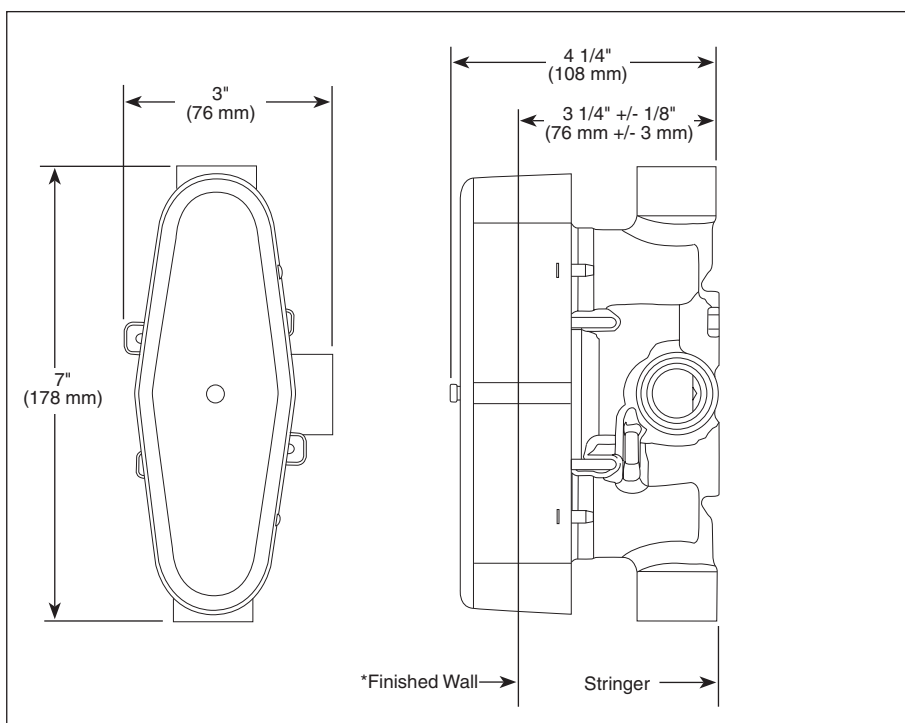
Submitted Model No.: _____

Specific Features: _____

BRIZO®

SENSORI® CUSTOM SHOWER ROUGH VALVE BODY

- R66000-WS
- Thermostatic Temperature Control Rough
- 3/4" Rough-In



STANDARD SPECIFICATIONS:

- Forged brass body.
- Can be tested with air (200 PSI) or water (300 PSI) without valve, using supplied test cap.
- For use with Sensori® thermostatic trim. Cartridge ships with trim.
- Includes stops.

WARNING: No back to back installation is allowed with this product.

WARRANTY

- Lifetime Faucet and Finish Limited Warranty to the original consumer purchaser to be free from defects in material and workmanship.
- 5 Year Limited Warranty for usage in all industrial, commercial and business applications.

RP72604▲ Available Extension Kit

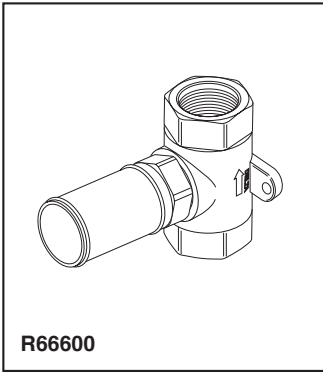
*Depending on the location of valve within the wall and wall thickness an optional extension kit (RP72604) can provide an additional 1 3/4" of wall thickness.



COMPLIES WITH:

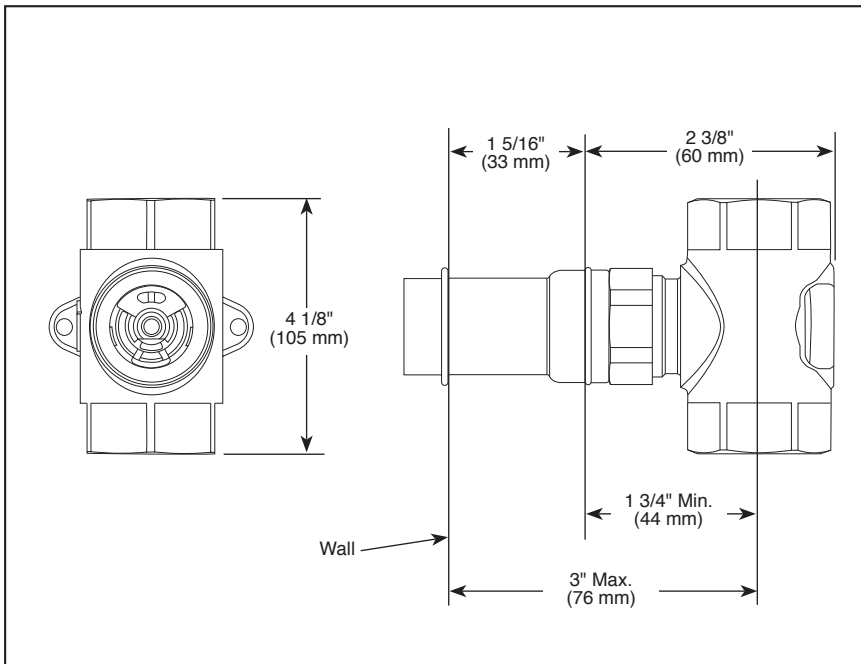
- ASME A112.18.1 / CSA B125.1

Delta reserves the right (1) to make changes in specifications and materials, and (2) to change or discontinue models, both without notice or obligation. Dimensions are for reference only. See current full-line price book or www.brizo.com for finish options and product availability.



Submitted Model No.: _____

Specific Features: _____



BRIZO®

SENSORI® CUSTOM SHOWER ROUGH

- R66600
- Volume Control Rough
- 3/4" Rough-In

STANDARD SPECIFICATIONS

- Forged brass body.
- Includes ceramic stem assembly.
- All parts are replaceable from the front.
- Recommended working pressure of 45-80 PSI.
- Volume controls are required for every outlet and every set of body sprays (up to 7.7 gpm @ 60 psi).
- Volume control only: must be used with temperature control device.

WARRANTY

- Lifetime limited warranty on parts (other than electronic parts and batteries) and finishes: or, for commercial users, for 5 years from date of purchase.
- 5 year limited warranty on electronic parts (other than batteries); or, for commercial users, for 1 year from the date of purchase. No warranty is provided on batteries.

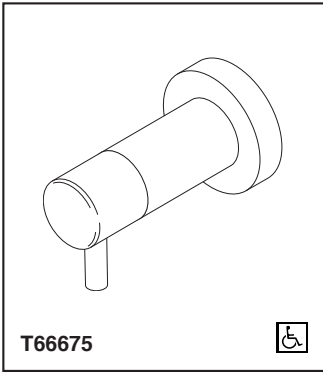
COMPLIES WITH:

- ASME A112.18.1 / CSA B125.1

Delta reserves the right (1) to make changes in specifications and materials, and (2) to change or discontinue models, both without notice or obligation. Dimensions are for reference only. See current full-line price book or www.brizo.com for finish options and product availability.

BSP-B-R66600 Rev. D

Delta Faucet Company
Indianapolis, Indiana 46280
A Division of Masco Corporation of Indiana
© 2014 Masco Corporation of Indiana

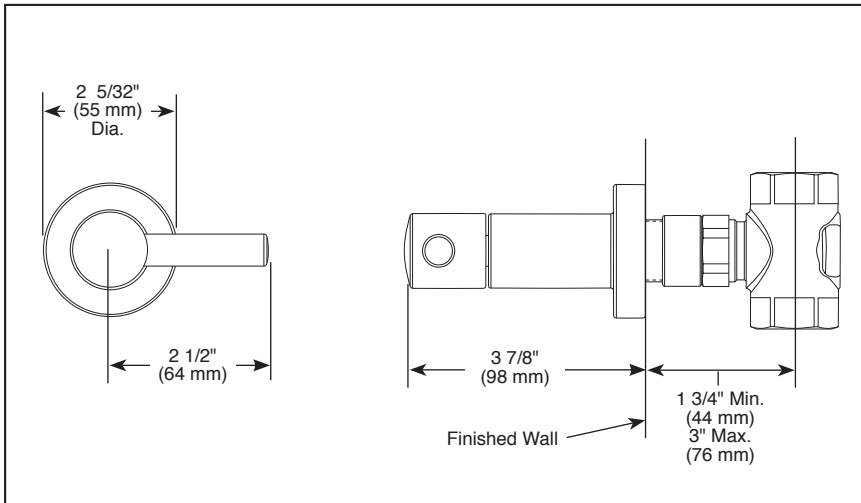


T66675



Submitted Model No.: _____

Specific Features: _____



BRIZO[®]

SENSORI[®]

CUSTOM SHOWER TRIM

- Odin™ Collection
- Volume Control Trim

STANDARD SPECIFICATIONS

- Must also order R66600 Rough-In.
- 180° handle rotation controls volume only.
- Volume controls are required for every outlet and every set of body sprays (up to 7.7 gpm @ 60 PSI).
- All parts are replaceable from the front.
- Adjusts for wall thickness variations.
- Recommended working pressure of 45-80 PSI.
- Volume control only; must be used with temperature control device.

WARRANTY

- Lifetime limited warranty on parts (other than electronic parts and batteries) and finishes: or, for commercial users, for 5 years from date of purchase.
- 5 year limited warranty on electronic parts (other than batteries); or, for commercial users, for 1 year from the date of purchase. No warranty is provided on batteries.

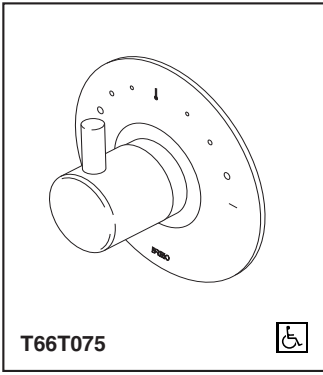
COMPLIES WITH:

- ASME A112.18.1 / CSA B125.1
- Indicates compliance to ICC/ANSI A117.1- Valve control only.

Delta reserves the right (1) to make changes in specifications and materials, and (2) to change or discontinue models, both without notice or obligation. Dimensions are for reference only. See current full-line price book or www.brizo.com for finish options and product availability.

BSP-B-T66675 Rev. D

Delta Faucet Company
 Indianapolis, Indiana 46280
 A Division of Masco Corporation of Indiana
 © 2014 Masco Corporation of Indiana

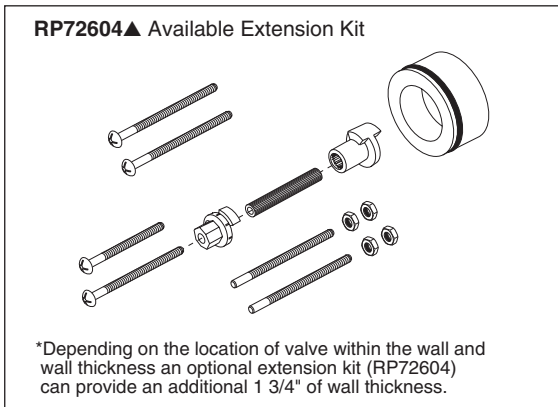
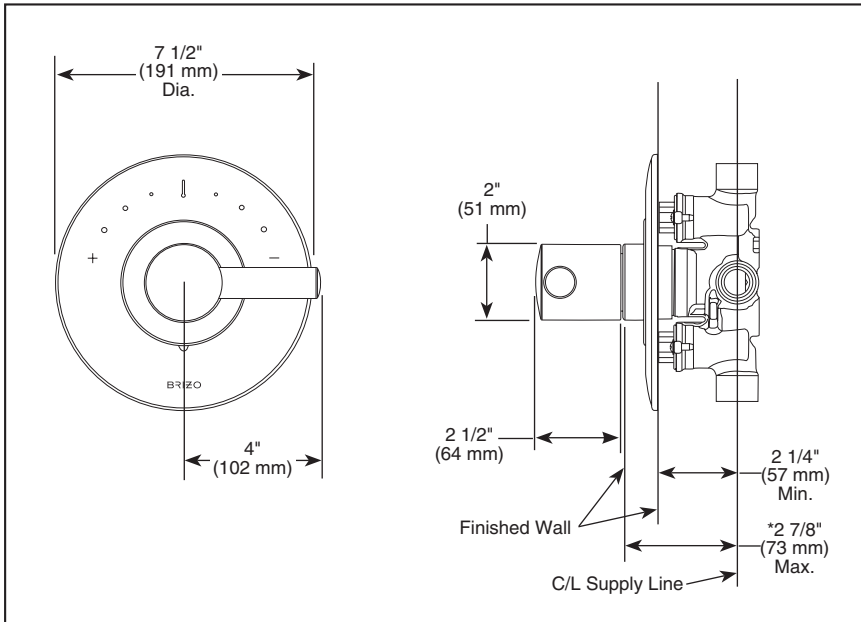


T66T075



Submitted Model No.: _____

Specific Features: _____



BRIZO[®]

SENSORI[®]

CUSTOM SHOWER TRIM

- Odin™ Collection
- Thermostatic Control Trim

STANDARD SPECIFICATIONS

- Sensori[®] thermostatic control.
- Must also order R66000-WS rough valve body.
- Includes Sensori[®] thermostatic cartridge.
- Thermostatic wax element maintains the outlet temp to +/- 3.6° F.
- Handle controls temperature only; must be used with one or more Sensori[®] volume controls.
- Graphics indicate hot/cold temp.
- Field adjustable to limit rotation into hot water zone.
- All parts are replaceable from the front of the valve.
- Adjusts for up to 5/8" wall thickness.

WARRANTY

- Lifetime limited warranty on parts (other than electronic parts and batteries) and finishes: or, for commercial users, for 5 years from date of purchase.
- 5 year limited warranty on electronic parts (other than batteries); or, for commercial users, for 1 year from the date of purchase. No warranty is provided on batteries.



COMPLETE VALVE COMPLIES WITH:

- ASME A112.18.1 / CSA B125.1
- ICC/ANSI A117.1
- ASSE 1016 Type T

Delta reserves the right (1) to make changes in specifications and materials, and (2) to change or discontinue models, both without notice or obligation. Dimensions are for reference only. See current full-line price book or www.brizo.com for finish options and product availability.