

Static Pressure Control 149020, for Residential and Light Commercial Applications

Braeburn Static Pressure Controls are designed to control HVAC system bypass dampers. This complete kit comes with a deluxe plated control, relay, pressure pickup, and a length of tubing. Installs with round and rectangular PO/PC dampers to economically control system bypass pressure.

Specifications

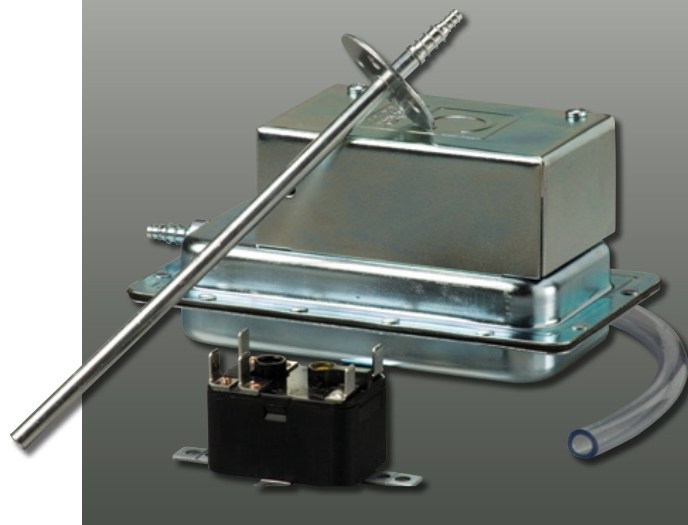
Mounting Mount vertically on low vibration surface with inlet tubes pointing sideways or down

Set Point Range 0.05 to 2.0 inches w.c.

Operating Temp. 40° F to 180° F

Rating Contacts 300 VA at 115 to 277 VAC SPDT

Braeburn Zone Control Systems



Product Features and Benefits

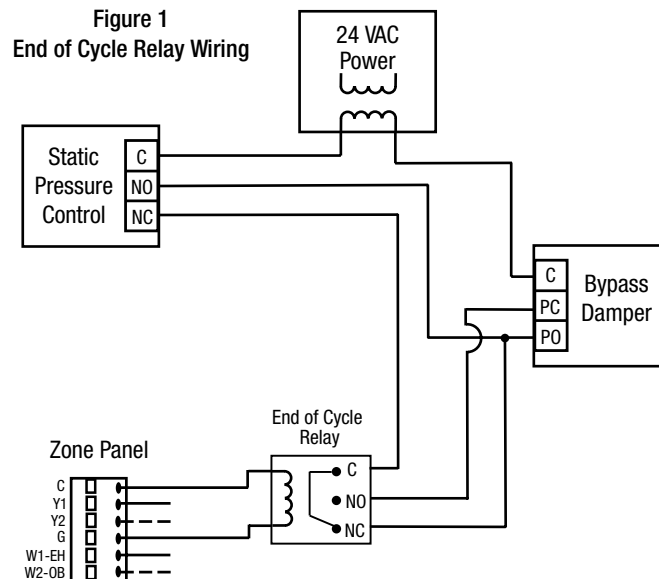
- Suitable for residential and light commercial applications
- Supplied with end of cycle relay to maintain open bypass when no fan calls occur.
- Field adjustable to match bypass to all calling zone combinations
- Integrated mounting brackets and sense tubing fittings allow for easy installation

The
brighter
choice®

Braeburn Zone Control Systems Static Pressure Control 149020

Quick and Easy Installation

The Braeburn static pressure controller is easy to install with simple set-up. Ensure all zones are calling and fan is on highest speed. Turn SPC set screw clockwise until damper is running closed. Turn set screw counter clockwise until damper starts to open. Make final adjustment so damper is lightly closed when all zones are calling. Wire end of cycle relay to maintain open bypass when no fan is calling. See figure 1.



Architectural Specifications

The fully automatic Static Pressure Control shall be Braeburn model number 149020. The control shall be contained in a plated housing wherein the pressure sensing diaphragm and the snap acting SPDT switch reside. Accessories shall include a pitot measuring tube, end of cycle relay, and at least 36 inches of ¼ inch I.D. poly tubing. The plated housing shall accept a ½ inch conduit connection. Three terminals (NC, NO, and C) shall be present inside the housing for connection to the transformer and the relay. The control shall have an operating temperature of -40° F to 180° F (-40° C to 82° C), and a set point range of 0.05 to 2.0" w.c. The control shall be UL, FM, CSA and CE approved.

The Braeburn Advantage

The Best Value in Zoning Today®

- Suitable for light commercial and residential installation
- Designed for years of trouble free operation
- Fully compatible with Braeburn and other zoning system components

Braeburn Thermostats and Accessories

From our Deluxe Series to our economical Builder Series, Braeburn has the products you need to lower energy costs and increase comfort in any home or business environment.

Call Us Toll-Free **866.268.5599** (U.S.)

+1.630.844.1968 (Outside the U.S.)

www.braeburnonline.com