

30" Double Wall Oven 300 Series - Black HBL3560UC



Features and Benefits

Key Features

- Large Capacity at 4.7 Cu.Ft.
- EcoClean™ 2-Hour Self-Clean Cycle
- Recessed Broil Element for Increased Capacity and Safety

Design

- Contemporary Stainless Steel Design
- ClearTouch® Glass Control
- Flush-to-Cabinet Design
- Dial Controls - Direct Access to Cooking Modes

Performance

- 10 Cooking Modes for Convenient Every Day Cooking
- Convection Cooking with Bake, Broil and Roast in Upper Oven
- Thermal Cooking with Bake, Broil and Roast in Lower Oven

Efficiency

- EcoClean™ 2-Hour Self-Clean Cycle

Convenience

- Amber Colored Display
- Timer with Cook Time Function
- Extra Large Door Window for Easy Monitoring of Cooking
- High Quality Self-cleaning Rack Supports
- Preheat Monitor Shows Progress of Preheat Cycle

Capacity

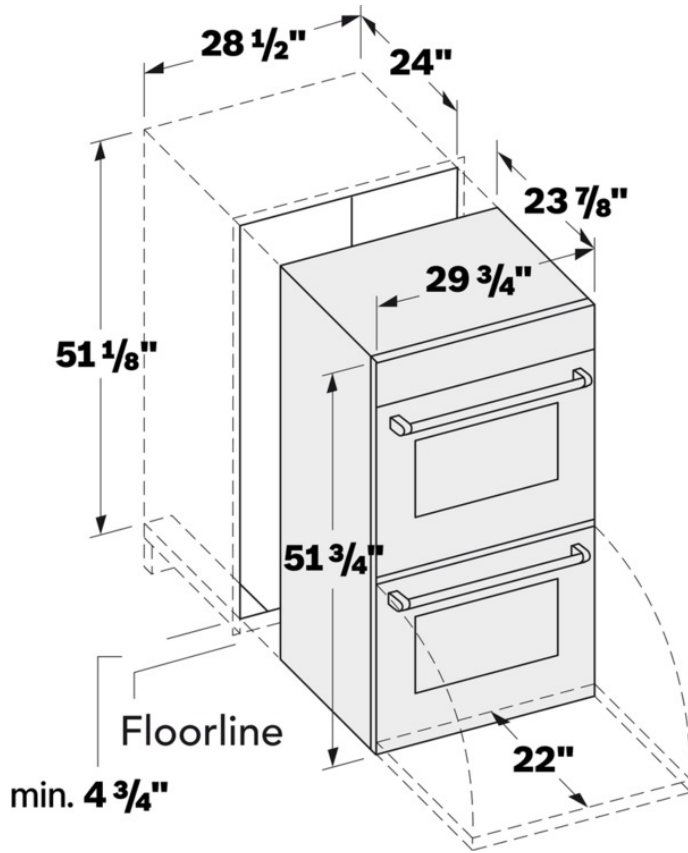
- Large Capacity at 4.7 Cu.Ft.
- Double Oven for More Capacity and Cooking Flexibility
- Recessed Broil Element for Increased Capacity and Safety
- Hidden Bake Element for Increased Capacity

Notes: All height, width and depth dimensions are shown in inches. *Please refer to installation instructions prior to making cutout. BSH reserves the absolute and unrestricted right to change product materials and specifications, at any time, without notice. Consult the product's installation instructions for final dimensional data and other details. Applicable product warranty can be found in a accompanying product literature or you may contact your account manager for further details.

For more information on our entire line of products, go to boschappliances.com or call 1-800-944-2904.
Copyright ©2014 BSH Home Appliances Corporation. All rights reserved. Bosch is a registered trademark of Robert Bosch GmbH.

Litho Date: 01/2014

30" Double Wall Oven 300 Series - Black HBL3560UC



Features

Cooking method primary cavity	Convection Bake, Convection Broil, Convection Roast, Conventional heat, Dough proving setting, Half width variable grill, Intensive hot air, Pizza setting, Top heating, 1/3 bottom heat., warming
Cooking method secondary cavity	Top/bottom heating, Top heating, 1/3 bottom heat., Variable small-area grill, Warming
Cleaning system - primary cavity	, Self Clean
Number of interior lights	1
Electronic timer	
Included accessories	3 x Oven racks /upper, 2 x Oven racks /lower
Bake Element Wattages primary cavity (W)	2000
Broil Element Wattages primary cavity (W)	3600
Convection Element Wattages primary cavity (W)	2000
Microwave Wattages (W)	

Technical Specification

UPC code	825225843139
Product color	Black
Alternative colors available	HBL3550UC
Energy source	Electric
Watts (W)	9200
Current (A)	40
Volts (V)	240/208
Frequency (Hz)	60
Approval certificates	CSA
Power Cord Length	50
Plug type	fixed connection, no plug
Required cutout size (HxWxD) (in)	51 1/8" x 28 1/2" x 24"
Overall appliance dimensions (HxWxD) (in)	51 3/4" x 29 3/4" x 23 7/8"
Product packaging dimensions (HxWxD) (in)	56 3/4" x 34" x 31"
Net weight (lbs)	294
Gross weight (lbs)	328

Notes: All height, width and depth dimensions are shown in inches. *Please refer to installation instructions prior to making cutout. BSH reserves the absolute and unrestricted right to change product materials and specifications, at any time, without notice. Consult the product's installation instructions for final dimensional data and other details. Applicable product warranty can be found in a accompanying product literature or you may contact your account manager for further details.

For more information on our entire line of products, go to boschappliances.com or call 1-800-944-2904.
Copyright ©2014 BSH Home Appliances Corporation. All rights reserved. Bosch is a registered trademark of Robert Bosch GmbH.

Litho Date: 01/2014