

24" Induction Cooktop



800 Series – Black NIT8461UC



NIT8461UC
Black

Bosch 800 Series 24" induction cooktop transfers energy to heat your pan directly, making cooking faster and more energy efficient.

Features & Benefits

AutoChef® by Bosch has 11 levels, to heat & monitor the temperature of your pan, and adjust automatically to ensure perfect results.

Favorite button – one touch for your two most used cooking settings. Select on Home Connect app, and use a long or short press directly on your cooktop.

Automatic time limitation will shut off your cooktop if the cooking zone has been in use for a long period of time without any changes, depending on your heat setting.

Residual heat indication shown on the cooktop with a 'H' for hot to touch or 'h' for warm taking the guesswork out of safety.

Boil 2 cups of water in less than 2 minutes with SpeedBoost®

Cookware Suitability Indicator easily and quickly checks ferromagnetic materials in your cookware and rates your pot for use on your cooktop.

Element Performance

Power of Back Left heating element	2,600 W
Power of Back Left heating element (in boost)	3,600 W
Power of Back Right heating element	1,800 W
Power of Back Right heating element (in boost)	3,100 W
Power of Front Right heating element	1,400 W
Power of Front Right heating element (in boost)	2,200 W
Burners with booster	All

Element Size

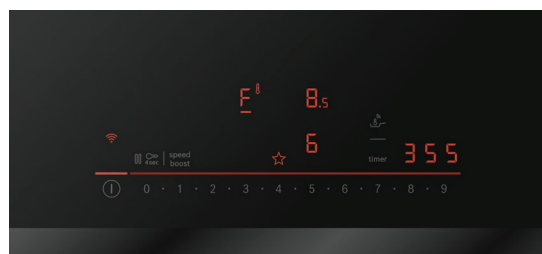
Dimension of Back Left heating element	11"
Dimension of Back Right heating element	7"
Dimension of Front Right heating element	6"

Technical Details

Watts	6,240 / 7,200 W
Circuit breaker	30 A
Volts	208 / 240 V
Frequency	60 Hz
Plug type	No Plug
Power cord length	37"
Energy source	Electric

Dimensions & Weight

Overall appliance dimensions (HxWxD)	4 1/8" x 24" x 20 9/16"
Required cutout size (HxWxD)	4 1/8" x 22" x 19 1/4"
Minimum distance from counter front	2 1/4"
Minimum distance from rear wall	2"
Net weight	31 lbs



Accessories: To purchase Bosch accessories, cleaners & parts please visit www.bosch-home.com/us/store or call 1-800-944-2904 (Mon to Fri 5 am to 6 pm PST, Sat 6 am to 3 pm PST).

Notes: All height, width and depth dimensions are shown in inches. BSH reserves the absolute and unrestricted right to change product materials and specifications, at any time, without notice. Consult the product's installation instructions for final dimensional data and other details prior to making cutout.

Warranties: Please see Use & Care manual or Bosch website for statement of limited warranty.

For more information on our entire line of products, go to www.bosch-home.com/us or call 1-800-944-2904

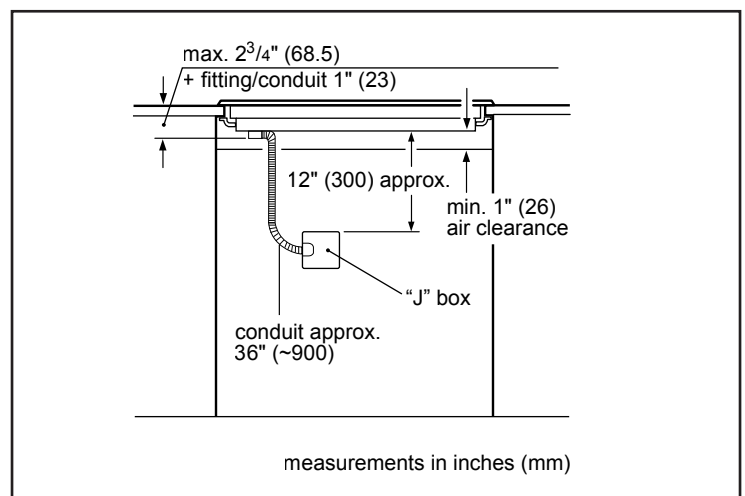
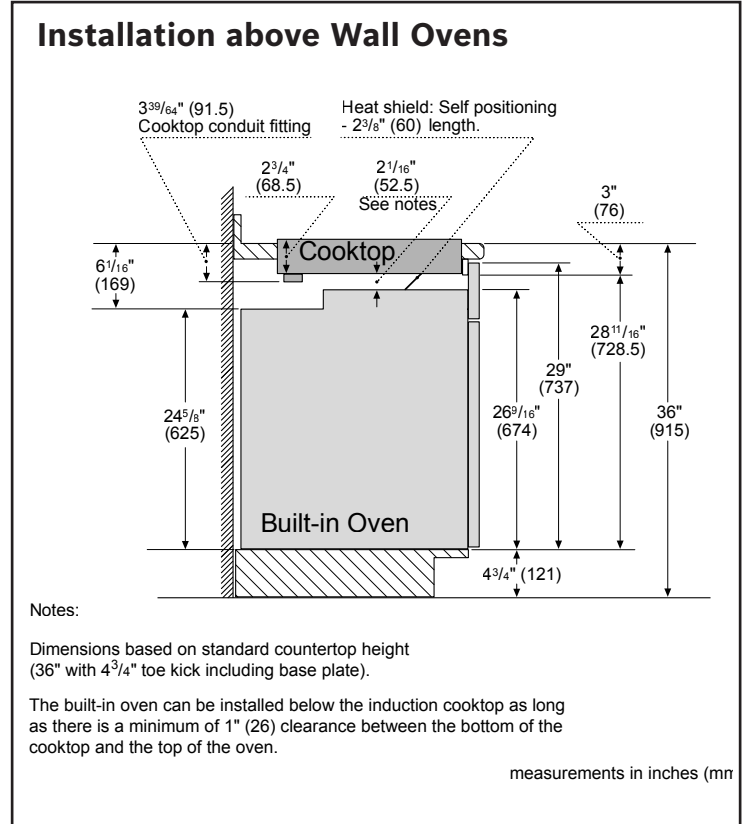
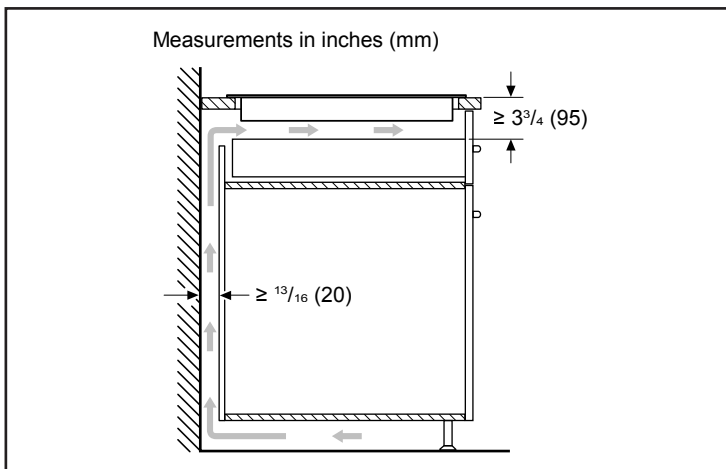
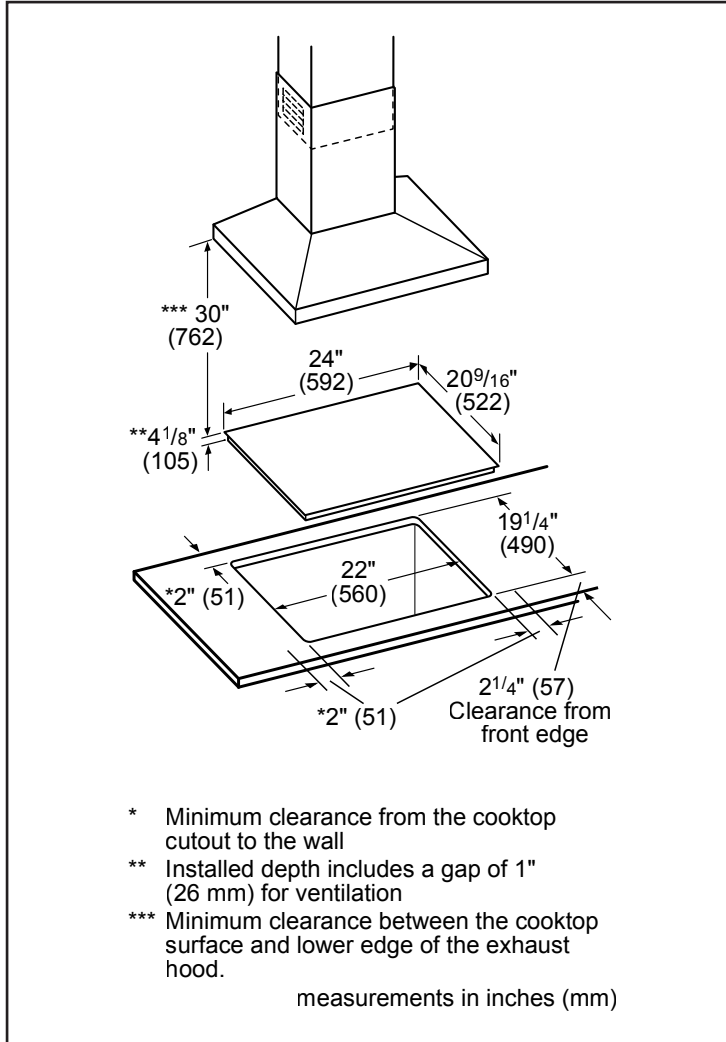
© BSH Home Appliances Corporation. All rights reserved. Bosch is a registered trademark of Robert Bosch GmbH.

24" Induction Cooktop



800 Series – Black NIT8461UC

Installation Details



Accessories: To purchase Bosch accessories, cleaners & parts please visit www.bosch-home.com/us/store or call 1-800-944-2904 (Mon to Fri 5 am to 6 pm PST, Sat 6 am to 3 pm PST).

Notes: All height, width and depth dimensions are shown in inches. BSH reserves the absolute and unrestricted right to change product materials and specifications, at any time, without notice. Consult the product's installation instructions for final dimensional data and other details prior to making cutout.

Warranties: Please see Use & Care manual or Bosch website for statement of limited warranty.

For more information on our entire line of products, go to www.bosch-home.com/us or call 1-800-944-2904

© BSH Home Appliances Corporation. All rights reserved. Bosch is a registered trademark of Robert Bosch GmbH.