



Register your
appliance and join
the Bosch
family of perks:
[bosch-home.com/us/
mybosch](https://bosch-home.com/us/mybosch)



Washing machine

WGA12400UC

[en-us] User manual and installation in-
structions

Further information and explanations are available online:



Table of contents

1 Important safety instructions	3	13.7 Changing the activated "Ready in" time	25
1.1 Safety definitions.....	3	13.8 Adding laundry.....	25
1.2 General information.....	3	13.9 Terminating the program.....	25
1.3 Intended use	3	13.10 Removing the laundry	25
1.4 Restrictive Use.....	3	13.11 Switching off the appliance	25
1.5 Grounding instructions	3	14 Control panel lock	25
1.6 Safe Installation	4	14.1 Activate control panel lock	25
1.7 Safe use.....	5	14.2 Deactivate control panel lock	25
1.8 Safe cleaning and maintenance	6	15 Basic settings	26
1.9 State of California Proposition 65 Warnings	6	15.1 Overview of the basic settings	26
1.10 Risks for children	6	15.2 Changing the basic settings	26
1.11 Safety systems.....	7	16 Cleaning and maintenance	26
2 Preventing material damage	8	16.1 Cleaning the drum	26
3 Environmental protection and energy-saving	8	16.2 Cleaning the detergent drawer	26
3.1 Disposal of packaging	8	16.3 Cleaning the drain pump.....	27
3.2 Save energy and conserve resources	8	17 Troubleshooting	31
3.3 Energy-saving mode	8	18 Transportation, storage and disposal	36
4 Installation and connection	9	18.1 Removing the appliance	36
4.1 Unpacking the appliance	9	18.2 Inserting the transit bolts.....	36
4.2 Included in delivery	9	18.3 Using the appliance again.....	36
4.3 Requirements for the installation location.....	9	18.4 Disposal of your old appliance	36
4.4 Dimensions and space requirements	10	19 Customer Service	37
4.5 Removing the transit bolts.....	13	19.1 Model number (E-Nr.) and production number (FD)	37
4.6 Connecting the appliance.....	14	20 Technical specifications	37
4.7 Aligning the appliance	15	21 Statement of Limited Product Warranty	37
4.8 Connecting the appliance to the electricity supply	15	21.1 What this Warranty Covers & Who it Applies to	37
5 Familiarizing yourself with your appliance	16	21.2 Limitation for Third Party Accessories and Water Supply Hoses	37
5.1 Appliance	16	21.3 How Long the Warranty Lasts.....	37
5.2 Detergent drawer	16	21.4 Scope of Extended Limited Warranty.....	38
5.3 Control panel.....	17	21.5 Repair/Replace as Your Exclusive Remedy.....	38
6 Before using for the first time	17	21.6 Out of Warranty Product	38
6.1 Starting an empty washing cycle.....	17	21.7 Warranty Exclusions	38
7 Display	19	21.8 How to Obtain Warranty Service.....	39
8 Buttons	21		
9 Programs	22		
10 Accessories	24		
11 Laundry	24		
11.1 Preparing the laundry	24		
12 Detergents and care products	24		
13 Basic Operation	24		
13.1 Switching on the appliance.....	24		
13.2 Setting a program	24		
13.3 Changing the program settings	24		
13.4 Loading laundry	24		
13.5 Adding detergent and care product	24		
13.6 Starting the program	25		



IMPORTANT SAFETY INSTRUCTIONS

READ AND SAVE THESE INSTRUCTIONS

Warning!

Read all instructions carefully before use. Observe the following information to reduce the risk of electric shock, burns or serious injury. When using kitchen appliances, basic safety precautions must be followed including those in the following pages.

1.1 Safety definitions

Here you can find explanations of the safety signal words used in this manual.

WARNING

This indicates that death or serious injuries may occur as a result of non-observance of this warning.

CAUTION

This indicates that minor or moderate injuries may occur as a result of non-observance of this warning.

NOTICE:

This indicates that damage to the appliance or property may occur as a result of non-compliance with this advisory.

Note: This alerts you to important information and/or tips.

1.2 General information

Observe the following information to reduce the risk of burns, electric shock or serious injury.

- Read this manual carefully.
- Severe product damage could result from the use of unqualified service technicians. Only OEM spare parts may be used.
- Keep the manual and the product information in a safe place for future reference or for the next owner.
- Do not connect the appliance if it has been damaged in transit.

1.3 Intended use

Only a licensed professional may connect appliances without plugs. The manufacturer is not responsible for damage caused by incorrect connections. An incorrect connection is not covered by the Statement of Limited Product Warranty.

Only use this appliance:

- For washing machine-washable fabrics and hand-washable wool in accordance with the care label.

- Washing with common cold or hot (maximum 140 °F/60 °C) tap water and commercially available detergents and care products suitable for use in washing machines.
- Operating conditions:
Minimum/maximum permissible temperatures:
41-91 °F/5-35 °C
Relative humidity: Below 95%
- Up to an altitude of max. 13,100 ft (4000 m) above sea level.
- in private households, in enclosed spaces in a domestic environment and in the public sector, sheltered from the elements.

1.4 Restrictive Use

This appliance is not intended for use by persons (including children) with reduced physical, sensory or mental capabilities, or lack of experience and knowledge, unless they have been given supervision or instruction concerning use of the appliance by a person responsible for their safety.

Do not let children play with the appliance.

Cleaning and user maintenance must not be performed by children unless they are being supervised.

Keep children under the age of 3 and pets away from the appliance.

1.5 Grounding instructions

See the installation instructions included with this appliance for more information on electrical requirements.

WARNING

Improper connection of the appliance grounding conductor may lead to electric shock.

- ▶ Grounding reduces the risk of electric shock by providing a safe pathway for electric current in the event of a short circuit.
- ▶ This appliance is equipped with a power cord that includes an appliance-grounding conductor.
- ▶ Be sure your appliance is properly installed and grounded by a qualified technician.
- ▶ Installation, electrical connections and grounding must comply with all applicable codes.
- ▶ Check with an authorized electrician or service representative if you are in doubt as to whether the appliance is properly grounded.



IMPORTANT SAFETY INSTRUCTIONS

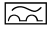
READ AND SAVE THESE INSTRUCTIONS

1.6 Safe Installation

Follow the safety instructions when installing the appliance.

WARNING

Incorrect installation is dangerous.

- ▶ Connect and operate the appliance only in accordance with the specifications on the rating plate.
- ▶ Connect the appliance to a power supply with alternating current only via a correctly installed socket outlet with grounding.
- ▶ The protective conductor system of the domestic electrical installation must be properly installed. The installation must have a sufficiently large cable cross-section.
- ▶ When using a residual current circuit breaker, only use a type with the  mark.
- ▶ Never equip the appliance with an external switching device, e.g. a timer or remote control.
- ▶ When the appliance is installed, the power plug of the power cord must be freely accessible. If free access is not possible, an all-pole isolating switch must be integrated in the permanent electrical installation according to the installation regulations.
- ▶ When installing the appliance, check that the power cord is not trapped or damaged.

If the insulation of the power cord is damaged, that can be dangerous.

- ▶ Never let the power cord come into contact with hot appliance parts or heat sources.
- ▶ Never let the power cord come into contact with sharp points or edges.
- ▶ Never kink, crush or modify the power cord.

WARNING

It is dangerous to use an extended power cord and non-approved adapters.

- ▶ Do not use extension cords or multiple socket strips.
- ▶ If the power cord is too short, contact customer service.
- ▶ Only use adapters approved by the manufacturer.

WARNING

The high weight of the appliance may result in injury when lifted.

- ▶ Do not lift the appliance on your own.

If this appliance is not correctly installed in a washer-dryer stack, the installed appliance may fall.

- ▶ Only stack the dryer on a washing machine using the connection kit from the dryer manufacturer. No other installation method is permitted.
- ▶ Do not install the appliance in a washer-dryer stack if the dryer manufacturer does not offer a suitable connection kit.
- ▶ Do not install appliances from different manufacturers and with varying depths and widths in a washer-dryer stack.
- ▶ Do not install a washer-dryer stack on a platform; the appliances may tip over.

CAUTION

The appliance may vibrate or move when in use.

- ▶ Place the appliance on a clean, even, solid surface.
- ▶ Align the appliance using the appliance feet and a spirit level.

If hoses and power cords have been laid incorrectly, this causes a tripping hazard.

- ▶ Lay hoses and power cords in such a way that there is no risk of tripping.

If the appliance is moved by holding onto protruding components, such as the appliance door, the parts may break off.

- ▶ Do not move the appliance by holding onto protruding parts.

CAUTION

Touching sharp edges on the appliance may lead to cuts.

- ▶ Do not touch the sharp edges on the appliance.
- ▶ Wear protective gloves when installing and transporting the appliance.

NOTICE:

The installation instructions are aimed at qualified installers. In addition to these instructions, the installation must comply with the following points.

- ▶ for the United States: National Electrical Code, ANSI/NFPA70 and the latest editions of the state and municipal and/or local regulations.
- ▶ for Canada: Canadian Electrical Code C22.1 and the latest editions of the provincial, municipal and/or local regulations.



IMPORTANT SAFETY INSTRUCTIONS

READ AND SAVE THESE INSTRUCTIONS

1.7 Safe use

WARNING

The safety information in the individual sections of the manual must be observed.

- ▶ Carefully read and understand the safety instructions in the individual sections of this document.

The IMPORTANT SAFETY INSTRUCTIONS and WARNINGS in this manual do not cover all possible circumstances that may occur.

- ▶ Common sense, caution and care must be exercised when installing, maintaining or operating the appliance.

WARNING

To reduce the risk of serious injury, observe the following.

- ▶ Only the washing-machine-suitable detergents and care products recommended for this appliance may be used; these must be stored out of the reach of children.

To prevent injury when loading the appliance with laundry, the following must be observed.

- ▶ Ensure that the door seal is not damaged by sharp objects.
- ▶ Do not tamper with or override any controls or locking mechanisms.

Do not operate the appliance unless proper installation can be guaranteed.

- ▶ Do not operate the appliance unless it has been installed correctly as described.
- ▶ Do not operate the appliance unless all water, drain, power and grounding connections have been established correctly and are in compliance with local codes, legislation, regulations and requirements.

WARNING

A damaged appliance or a damaged power cord can cause an electric shock.

- ▶ Never operate a damaged appliance.
- ▶ Never pull on the power cord to unplug the appliance. Always unplug the appliance at the power outlet.
- ▶ If the appliance or the power cord is damaged, immediately unplug the power cord or switch off the breaker in the circuit breaker box and turn off the water tap.

▶ Call Customer Service. → *Page 37*

Moisture intrusion may cause an electric shock.

- ▶ Use the appliance in enclosed spaces only.
- ▶ Never expose the appliance to intense heat or humidity.
- ▶ Do not use steam cleaners, high-pressure cleaners, hoses or sprays to clean the appliance.

Always disconnect the appliance from the power supply before carrying out any maintenance work on the appliance.

- ▶ Unplug the appliance from the power outlet. Never pull on the power cord to unplug the appliance. Always unplug the appliance at the power outlet.

WARNING

To care for and safely operate your appliance, observe the following.

- ▶ Observe the safety instructions and directions for use on the product labels of detergents and care products.
- ▶ To prevent floor damage and possible mold growth, do not leave any standing water around or under the appliance.

Washing fiberglass materials in the appliance may result in particles that cause skin irritation.

- ▶ Do not wash fiberglass materials (e.g. some curtains and window coverings) in the appliance. Small particles may remain in the appliance and stick to fabrics in subsequent wash loads. This may cause skin irritation.

WARNING

Hydrogen gas may be produced in a hot water system that has not been used for two weeks or more. Hydrogen gas is explosive.

- ▶ To allow hydrogen gas to escape the hot water system, open all hot water faucets and allow the water to run for a few minutes. Avoid smoking or using naked flames during this time. The appliance can be used once this process is complete.

Solvent-based cleaning agents or other flammable or explosive materials can lead to an explosion in the appliance.

- ▶ Do not wash fabrics that have been soaked in or sprayed with solvent-based cleaning agents or flammable or explosive substances (e.g. petrol).
- ▶ Do not add solvent-based cleaning agents or other flammable or explosive substances to the detergent solution.

Laundry that has been pretreated with cleaning agents that contain solvents may cause an explosion in the appliance.

- ▶ Rinse pretreated laundry thoroughly with water before washing.



IMPORTANT SAFETY INSTRUCTIONS

READ AND SAVE THESE INSTRUCTIONS

CAUTION

The appliance may tip over if you sit on or lean against the open door.

- ▶ Do not sit on or lean against the appliance door.
- ▶ Do not place any objects on the appliance door.

Reaching into the drum while it is still turning may cause hand injuries.

- ▶ Do not reach into the drum if it is still turning.

The covering plate may break if you stand on or climb onto the appliance.

- ▶ Do not stand on or climb onto the appliance.

CAUTION

When you wash at high temperatures, the detergent solution becomes hot.

- ▶ Do not touch the hot detergent solution.

NOTICE:

All water inlet hoses must be fitted with valves to prevent water damage in the event of a leak.

- ▶ The appliance must be fitted with valves to shut off the water supply; these must be accessible at all times.
- ▶ Close the valves to shut off the water supply if the appliance is not in use, or if the appliance is not intended to be used for extended periods (such as vacations).

Over time, the hose connections may stretch.

- ▶ Check the hose connections on a regular basis to ensure they are firmly connected and not leaking.

Shutting off the water and power

- ▶ The user is strongly advised to become familiar with the procedures for shutting off both the water supply and the power supply. You can find further information in the installation instructions, or contact your installer.

1.8 Safe cleaning and maintenance

WARNING

Improper repairs may cause an electric shock.

- ▶ Do not repair or replace any components of the appliance unless this is explicitly described or recommended in the maintenance or repair instructions. You must understand these maintenance or repair instructions and have the expertise to carry out the repairs properly.
- ▶ Only original spare parts may be used to repair the appliance.

- ▶ If the power cord of this appliance becomes damaged, it must be replaced by the manufacturer, the manufacturer's Customer Service, or an authorized service provider in order to prevent injury.

Moisture intrusion may cause an electric shock.

- ▶ Do not use steam cleaners, high-pressure cleaners, hoses or sprays to clean the appliance.

WARNING

The use of non-original spare parts and non-original accessories is dangerous.

- ▶ Only use the manufacturer's original spare parts and original accessories.

WARNING

Poisonous fumes may be given off if you use cleaning agents that contain solvents.

- ▶ Do not use cleaning agents that contain solvents.

1.9 State of California Proposition 65 Warnings

This product may contain a chemical known to the State of California, which can cause cancer or reproductive harm. Therefore, the packaging of your product may bear the following label as required by California:

STATE OF CALIFORNIA PROPOSITION 65 WARNING:



Cancer and Reproductive Harm - www.P65Warnings.ca.gov

1.10 Risks for children

Observe the following information to reduce the risks to children when operating the appliance.

WARNING

Children may pull packaging material over their heads, or wrap themselves up in it and suffocate.

- ▶ Keep packaging material away from children.
- ▶ Do not allow children to play with packaging material.

WARNING

Children can lock themselves in the appliance, thereby putting their lives at risk.

- ▶ Do not install the appliance behind a door as this may obstruct the appliance door or prevent it from opening.



IMPORTANT SAFETY INSTRUCTIONS

READ AND SAVE THESE INSTRUCTIONS

- ▶ Before removing the appliance or having it disposed of by Customer Service, pull out the mains plug on the power cord, then cut through the power cord and remove the door.

WARNING

Children may breathe in or swallow small parts, causing them to suffocate.

- ▶ Keep small parts away from children.
- ▶ Do not allow children to play with small parts.

WARNING

Detergents and care products may result in poisoning if consumed.

- ▶ If accidentally swallowed, seek medical advice.
- ▶ Keep detergents and care products out of the reach of children.

1.11 Safety systems

Protect children from possible hazards resulting from the appliance.

The appliance is equipped with a control panel lock

→ *Page 25.*

Control panel lock

You can use the control panel lock to secure the appliance against being operated unintentionally using the controls, and therefore protect persons – primarily children – from possible hazards resulting from the appliance.

The appliance is equipped with an electric door lock.

If you have activated the control panel lock, this means that automatic door opening is deactivated.

2 Preventing material damage

NOTICE:

The functionality of the appliance may be impaired if you use the wrong quantity of fabric softener, detergent, care product or cleaning agent.

- ▶ Follow the dosage recommendations from the manufacturer.

Exceeding the maximum load capacity impairs the function of the appliance.

- ▶ Observe the maximum load capacity for each programme and do not exceed it.

The appliance is secured for transportation using transport locks. Transit bolts which have not been removed may result in material damage and damage to the appliance.

- ▶ Before starting up the appliance, remove the transit bolts completely and keep them in a safe place.
- ▶ Before transport, fit the transit bolts fully in order to prevent damage in transit.

Material damage may be caused if the water inlet hose is connected incorrectly.

- ▶ Tighten the screw connections on the water inlet until they are hand-tight.
- ▶ Ideally, connect the water inlet hose directly to the water tap, without any additional connecting elements such as adapters, extensions, valves or similar.
- ▶ Ensure that the inner diameter of the water tap is at least 17 mm.
- ▶ Make sure that the length of the thread on the connection to the water tap is at least 10 mm.

If the water pressure is too high or too low, this may impair functioning of the appliance.

- ▶ Make sure that the water pressure in the water supply system is at least 14.5 psi (100 kPa) and max. 145 psi (1000 kPa).
- ▶ If the water pressure exceeds the maximum value specified, a pressure-reducing valve must be installed between the drinking water connection and the hose set of the appliance.
- ▶ Do not connect the appliance to the mixer tap of an unpressurised hot-water boiler.

Modified or damaged water hoses may result in material damage and damage to the appliance.

- ▶ Never kink, crush, modify or cut through water hoses.
- ▶ Only use the water hoses supplied with the appliance or genuine spare hoses.
- ▶ Never re-use water hoses that have been used before.

Operating the appliance using water that is dirty or too hot may lead to material damage and damage to the appliance.

- ▶ Only operate the appliance with cold or warm (max. 60 °C/140 °F) mains water.

Unsuitable cleaning agents may damage the surfaces of the appliance.

- ▶ Do not use strong or abrasive cleaning agents.
- ▶ Do not use cleaning agents with a high alcohol content.
- ▶ Do not use hard scouring pads or cleaning sponges.
- ▶ Clean the appliance with nothing but water and a soft, damp cloth.
- ▶ Remove all detergent residue, spray residue or other residues immediately if they come into contact with the appliance.

3 Environmental protection and energy-saving

3.1 Disposal of packaging

The packaging materials are environmentally compatible and can be recycled.

- ▶ Sort the individual components by type and dispose of them separately.

3.2 Save energy and conserve resources

If you follow these instructions, your appliance will use less power and water.

Choose programs with low temperatures and longer wash times and use maximum load capacity.

- ✓ Energy consumption and water consumption is most efficient.

Add detergent based on the laundry's degree of soiling.

- ✓ For light to normal soiling, a smaller amount of detergent is sufficient. Observe the dosage recommendation from the detergent manufacturer.

Reduce the washing temperature for lightly and normally soiled laundry.

- ✓ At lower temperatures, the appliance consumes less energy. For light to normal soiling, lower temperatures than indicated on the care label are also sufficient.

Set the maximum spin speed if you want to dry the laundry in a tumble dryer afterwards.

- ✓ The drier the laundry, the shorter the program duration when drying which, in turn, reduces energy consumption. A higher spin speed reduces the residual moisture in the laundry and increases the volume of the spin noise.

Wash the laundry without prewash.

- ✓ Washing with prewash increases the program duration and increases energy and water consumption.

The appliance has an automatic load adjustment function.

- ✓ Depending on the type of fabric and load capacity, the automatic load adjustment function optimally adjusts the water consumption and program duration.

3.3 Energy-saving mode

If you do not use the appliance for an extended period, it automatically switches to energy-saving mode.

Energy-saving mode ends when you use the appliance again.

4 Installation and connection

4.1 Unpacking the appliance

NOTICE:

Objects remaining in the drum that are not designed for operation with the appliance may cause material damage and damage to the appliance.

- ▶ Remove these objects, along with all supplied accessories, from the drum before starting the appliance.
1. Remove any packaging and protective covers completely from the appliance.
→ "Disposal of packaging", Page 8
 2. Check the appliance for visible damage.
 3. Open the appliance door.
→ "Basic Operation", Page 24
 4. Remove any accessories from the drum.
 5. Close the appliance door.

4.2 Included in delivery

After unpacking all the parts, check for any damage in transit and for completeness of delivery.

NOTICE:

If the appliance is operated with incomplete or defective accessories, the appliance may not be able to operate properly, or this may result in material damage or damage to the appliance.

- ▶ Do not operate the appliance with incomplete or defective accessories.
- ▶ Replace the accessories in question before operating the appliance.
→ "Accessories", Page 24

Note: The appliance has been tested at the factory to check it is in working order. As a result, water stains may remain in the appliance. These marks will disappear after the first wash cycle.

The delivery consists of the following:

- Washing machine
- Accompanying documents
- Transit bolts
→ "Removing the transit bolts", Page 13
- Cover caps
- Water inlet hoses
→ "Connecting the water inlet hoses", Page 14
- Elbow for securing the water outlet hose

4.3 Requirements for the installation location

⚠ WARNING

The appliance contains live parts. Touching live parts is dangerous.

- ▶ Do not operate the appliance without a cover cap.

⚠ WARNING

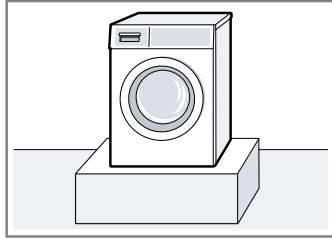
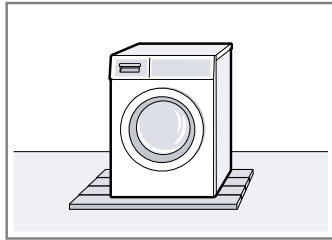
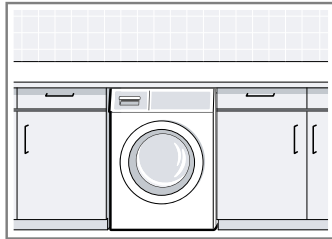
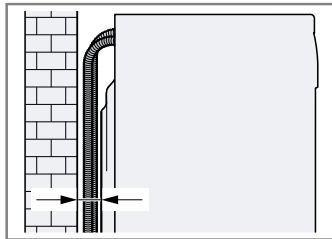
When using the appliance on a base, the appliance may tip over.

- ▶ Always secure the feet of the appliance to a base using the manufacturer's fixing brackets → Page 24 before using the appliance for the first time.

NOTICE:

If residual water in the appliance freezes, this may cause damage to the appliance.

- ▶ Do not install or operate this appliance anywhere that is liable to experience frost and/or outdoors.
- If the appliance is tilted at an angle greater than 40°, residual water may leak out of the appliance and cause material damage.
- ▶ Tilt the appliance carefully.
 - ▶ Transport the appliance in an upright position.

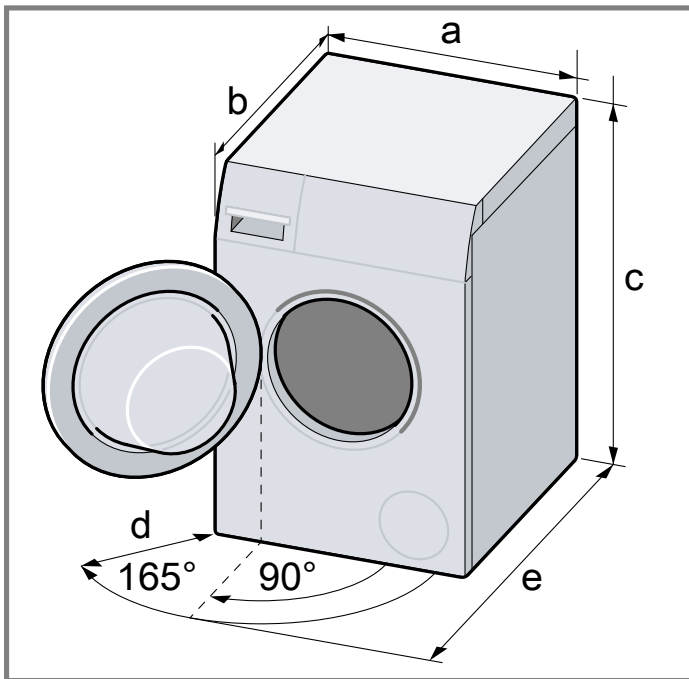
Installation location	Requirements
Base 	Secure the appliance with fixing brackets → Page 24.
Wooden joist floor 	Place the appliance on a water-resistant wooden board (minimum thickness of 1.18 in. (30 mm)) which is screwed tightly to the floor.
Kitchen unit 	Only install the appliance underneath a continuous countertop that is securely connected to adjacent cabinets. Required niche width: 23.6 in. (60 cm).
Against a wall 	Do not trap the hoses and power cord between the wall and the appliance.

4.4 Dimensions and space requirements

Observe the following information when setting up the appliance.

Appliance dimensions

Observe the dimensions of the appliance.



Dimensions			
a	Appliance width	23.6 in.	59.8 cm
b	Appliance depth (to appliance door)	24.3 in.	63.2 cm
c	Appliance height (min.)	33.3 in.	84.8 cm
	Appliance height (max.)	33.8 in.	86.0 cm
d	Side clearance (appliance door open to 165°)	13.0 in.	33.0 cm
e	Appliance depth (appliance door open to 90°)	42.5 in.	106.3 cm

The height of the appliance depends on the extension of the height-adjustable appliance feet.

Length of the power cord and hoses

Observe the length of the power cord and hoses.

	Left side of the appliance		Right side of the appliance	
Power cord	45.0 in.	113.0 cm	62.0 in.	157.0 cm
Water inlet hose	38.0 in.	97.0 cm	21.0 in.	53.0 cm
Water outlet hose	27.0 in.	69.0 cm	46.0 in.	117.0 cm

All lengths are measured from the indicated side when facing the front of the appliance.

Installation types

The appliance can be set up in different ways.

Washer-dryer stack or free-standing

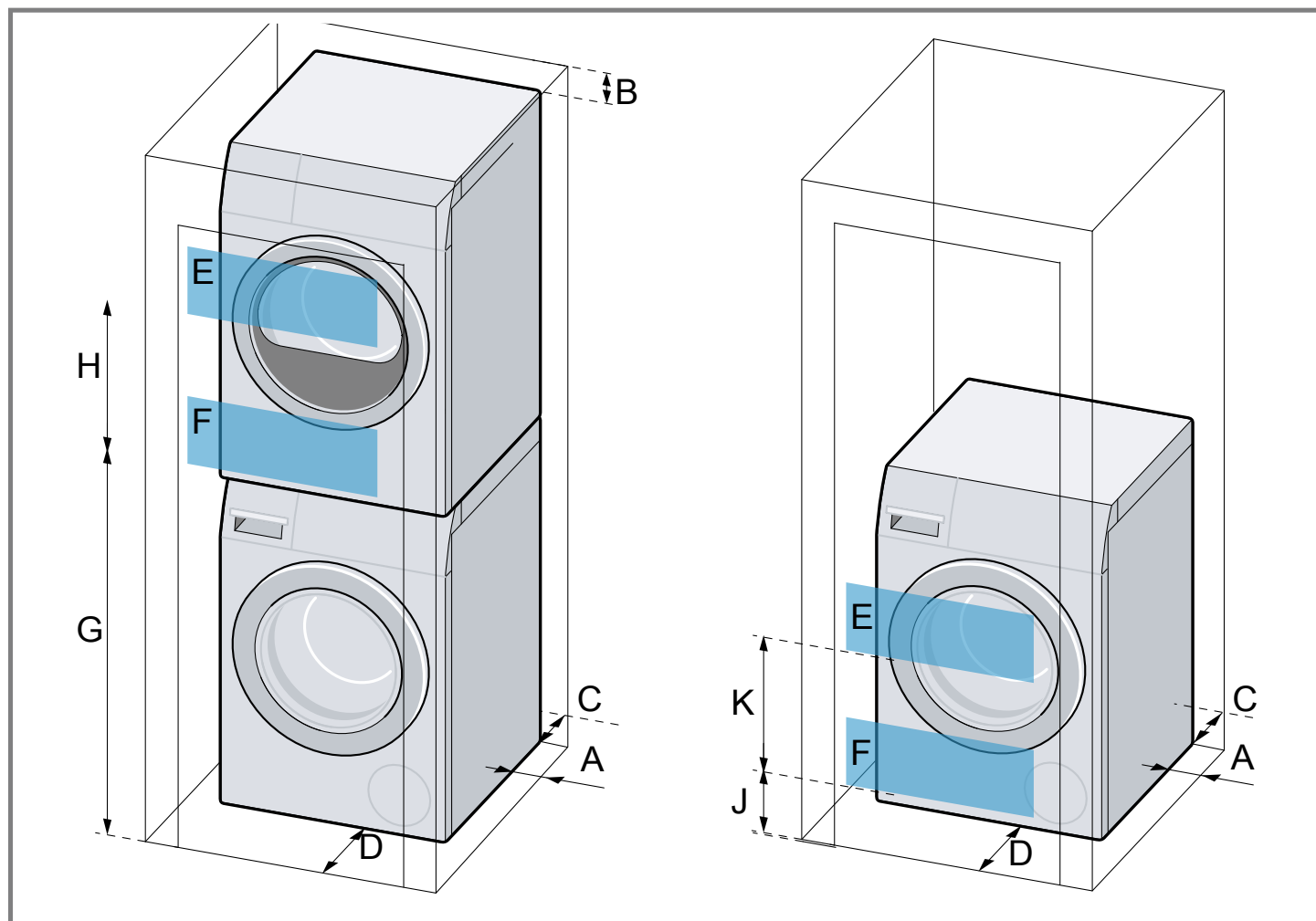
The appliance can be set up either free-standing or in a washer-dryer stack.

⚠ WARNING

If this appliance is not correctly installed in a washer-dryer stack, the installed appliance may fall.

- ▶ Only stack the dryer on a washing machine using the connection kit from the dryer manufacturer . No other installation method is permitted.
- ▶ Do not install the appliance in a washer-dryer stack if the dryer manufacturer does not offer a suitable connection kit.
- ▶ Do not install appliances from different manufacturers and with varying depths and widths in a washer-dryer stack.
- ▶ Do not install a washer-dryer stack on a platform; the appliances may tip over.

Note: In case of set up in a washer dryer stack, please observe the requirements for the installation location.



Required space (min.)

A	Both sides	0.6 in.	1.5 cm
B	Top side	6.3 in.	16 cm
C	Rear side	2.5 in.	6.4 cm
D	Front side	2.4 in.	6.1 cm

Keep the clearance on the rear side of the appliance as small as possible, depending on the ventilation openings and the water connection. For installation in a washer-dryer stack, a larger clearance is required at the rear of the appliance for the dryer's ventilation openings.

Dimensions of the ventilation openings (min.)

E	Top	63.0 sq. in.	404.0 cm ²
F	Bottom	63.0 sq. in.	404.0 cm ²

The specified size of the ventilation opening applies per position and is not supposed to be shared out between upper and lower position..

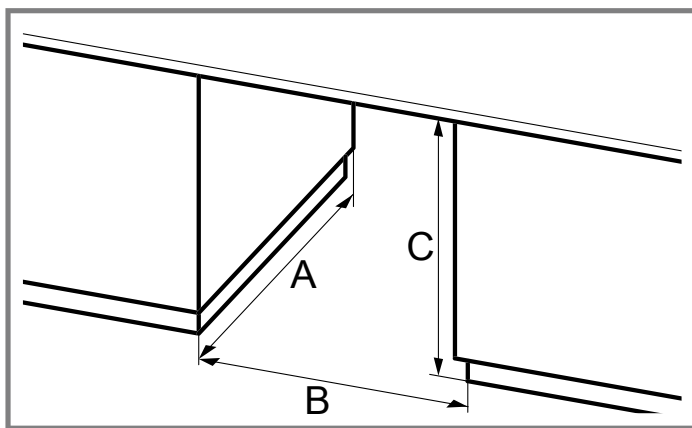
Size of the ventilation clearances (effective clearances, not minimum)

G	37.0 in.	94.0 cm
H	26.0 in.	66.0 cm
J	3.0 in.	7.6 cm
K	29.0 in.	73.0 cm

Underneath a countertop (recommended)

The appliance can be set up uncovered under a countertop.

Note: The front of the appliance must not be covered by doors or curtains.



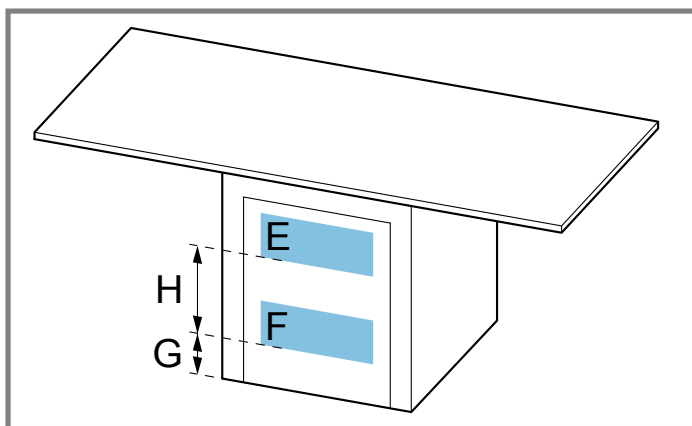
Dimensions of the installation recess (min.)

A	28.0 in.	71.1 cm
B	23.8 in.	60.5 cm
C	34.5 in.	87.6 cm

Underneath a countertop (not recommended)

The appliance can be set up covered under a countertop.

Note: If the front of the appliance is covered, ventilation openings must be installed.



Dimensions of the ventilation openings (min.)

E	63.0 sq. in.	404.0 cm ²
F	63.0 sq. in.	404.0 cm ²

G and H are fixed dimensions

G	3.0 in.	7.6 cm
H	14.0 in.	35.6 cm

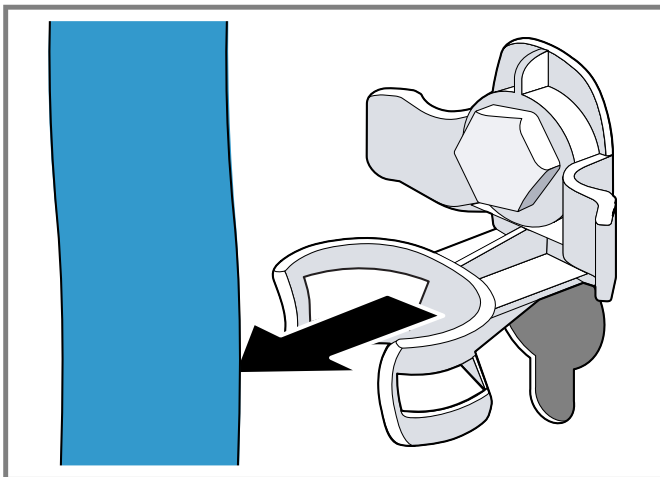
The specified size of the ventilation opening applies per position and is not supposed to be shared out between upper and lower position..

4.5 Removing the transit bolts

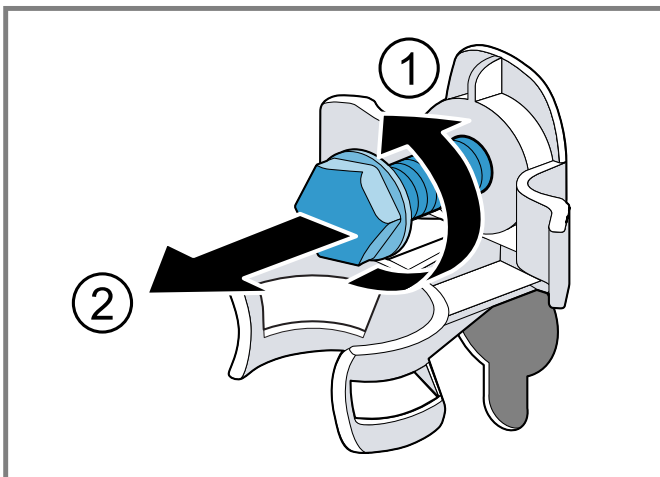
The appliance is secured for transportation using transit bolts on the rear of the appliance.

Note: Keep the transit bolt screws and the sleeves in a safe place for future transport → *Page 36*.

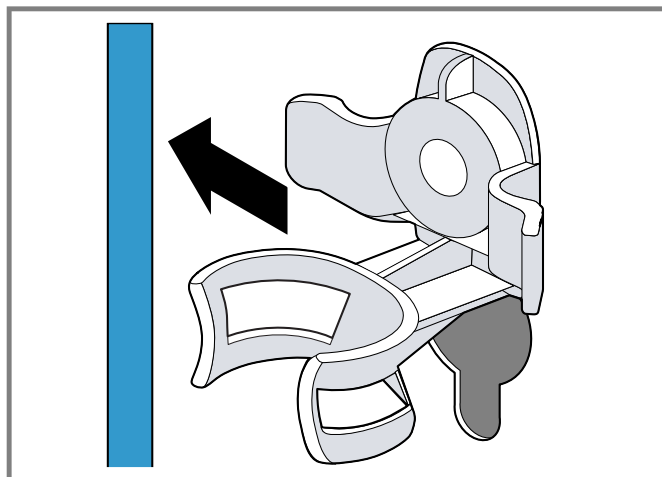
1. Pull the hoses out of the holders.



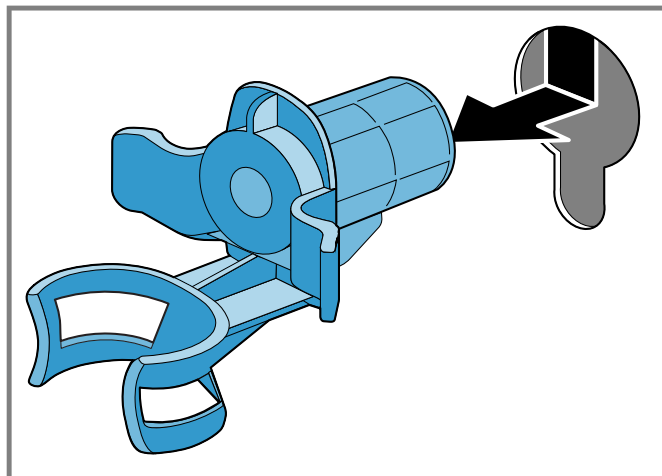
2. Unscrew ① and remove ② all 4 screws for the transit bolts with a WAF 13 wrench.



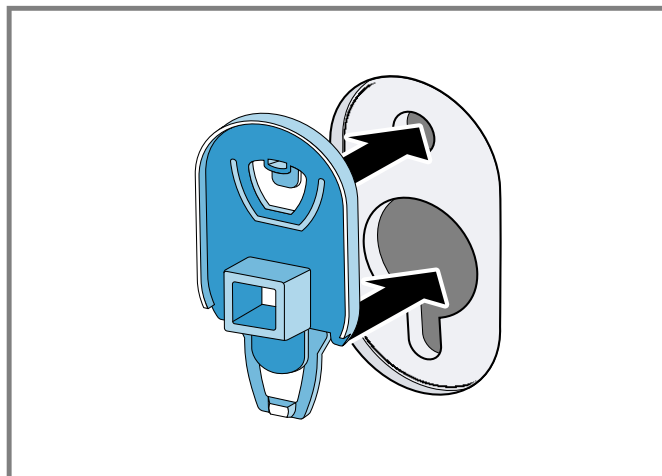
3. Remove the power cord from the holder.



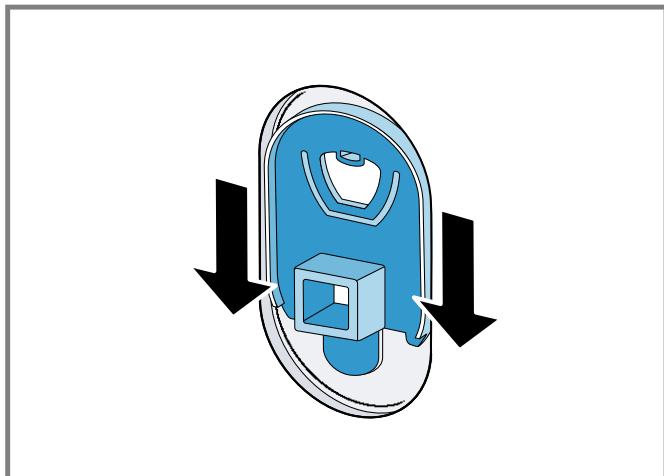
4. Remove the 4 sleeves.



5. Put on the 4 cover caps.



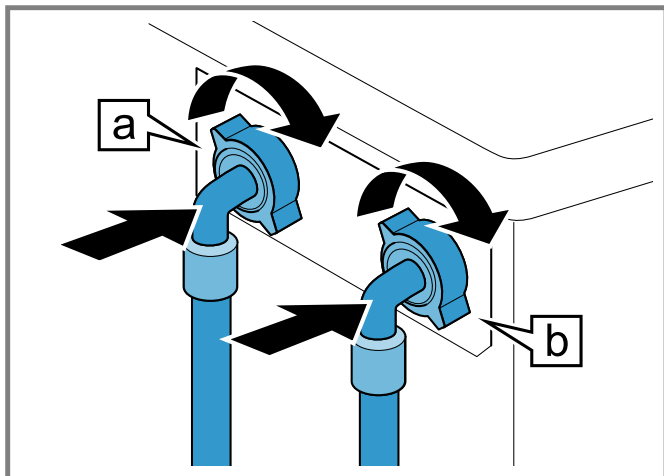
6. Press down on the 4 cover caps.



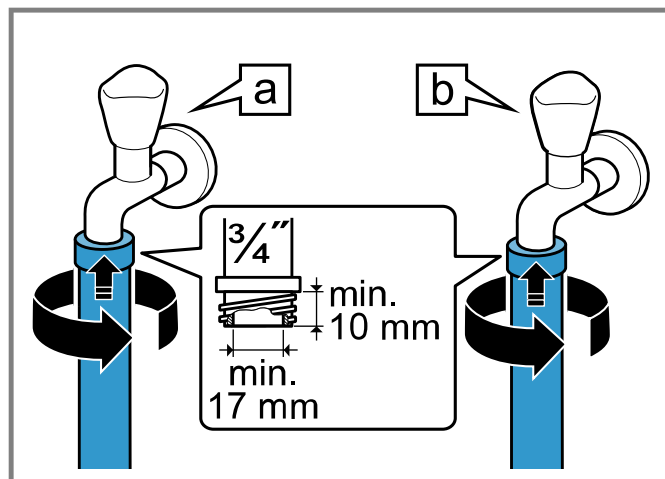
4.6 Connecting the appliance

Connecting the water inlet hoses

1. Connect the water inlet hose for hot water **a** (red) and cold water **b** (blue) to the appliance.



2. Connect the water inlet hose for hot water **a** (red) and cold water **b** (blue) to the faucet (26.4 mm = 3/4").



If there is no faucet for hot water, only connect the water inlet hose for cold water. Cover the hot water connection on the appliance in order to protect it from dirt.

Tip: To protect against dirt, use a 3/4" end cap on the hot water connection of the appliance.

3. Open the faucets carefully and check that the connection points are tight.

Water outlet connection types

This information is intended to help you to connect this appliance to the water outlet.

NOTICE:

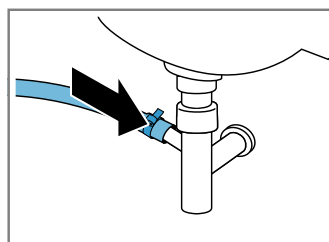
When draining, the water drain hose is subject to water pressure and may come loose from the installed connection point.

- Secure the water drain hose against unintentional loosening.

Note: Observe the draining heights.

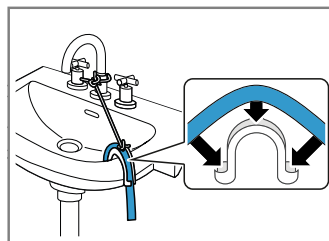
The maximum draining height is 39 in. (100 cm).

Siphon



Secure the connection point with a (0.94–1.57 in. (24–40 mm)) hose clamp.

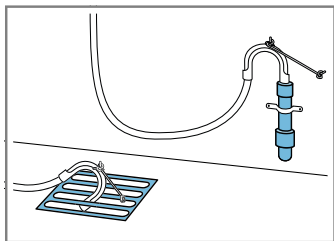
Washbasin



Fix and secure the water outlet hose with an elbow.

Plastic pipe with rubber sleeve or gully

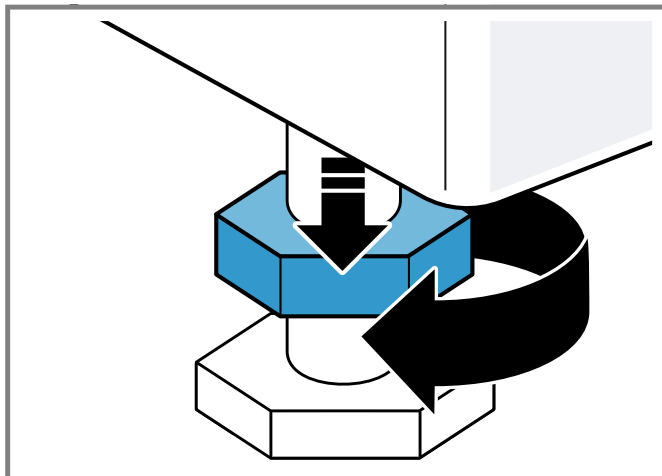
Fix and secure the water outlet hose with an elbow.



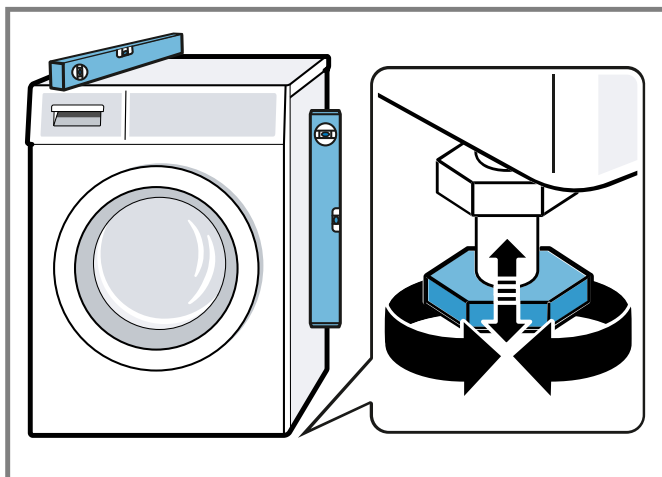
4.7 Aligning the appliance

In order to reduce noise and vibrations, and to prevent the appliance from moving, align the appliance correctly.

1. Loosen the lock nuts using a WAF 17 wrench by turning it in a clockwise direction.

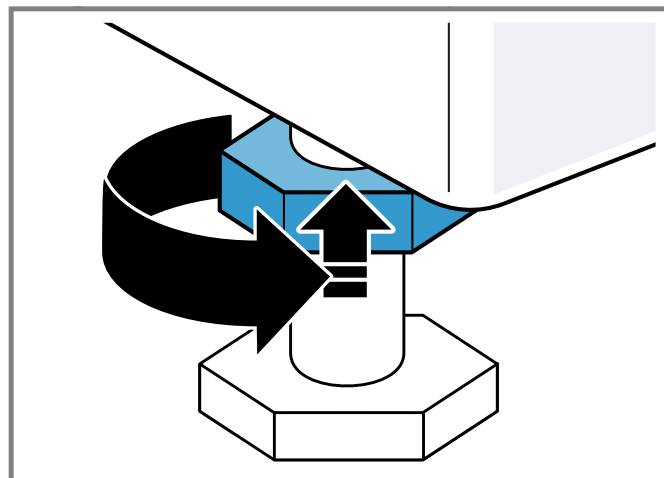


2. To align the appliance, turn the appliance feet. Check that the appliance is level using a spirit level.



All appliance feet must stand firmly on the ground.

3. Screw the lock nuts tightly against the housing using a WAF 17 wrench.



In doing so, hold the appliance foot tight and do not adjust its height.

4.8 Connecting the appliance to the electricity supply

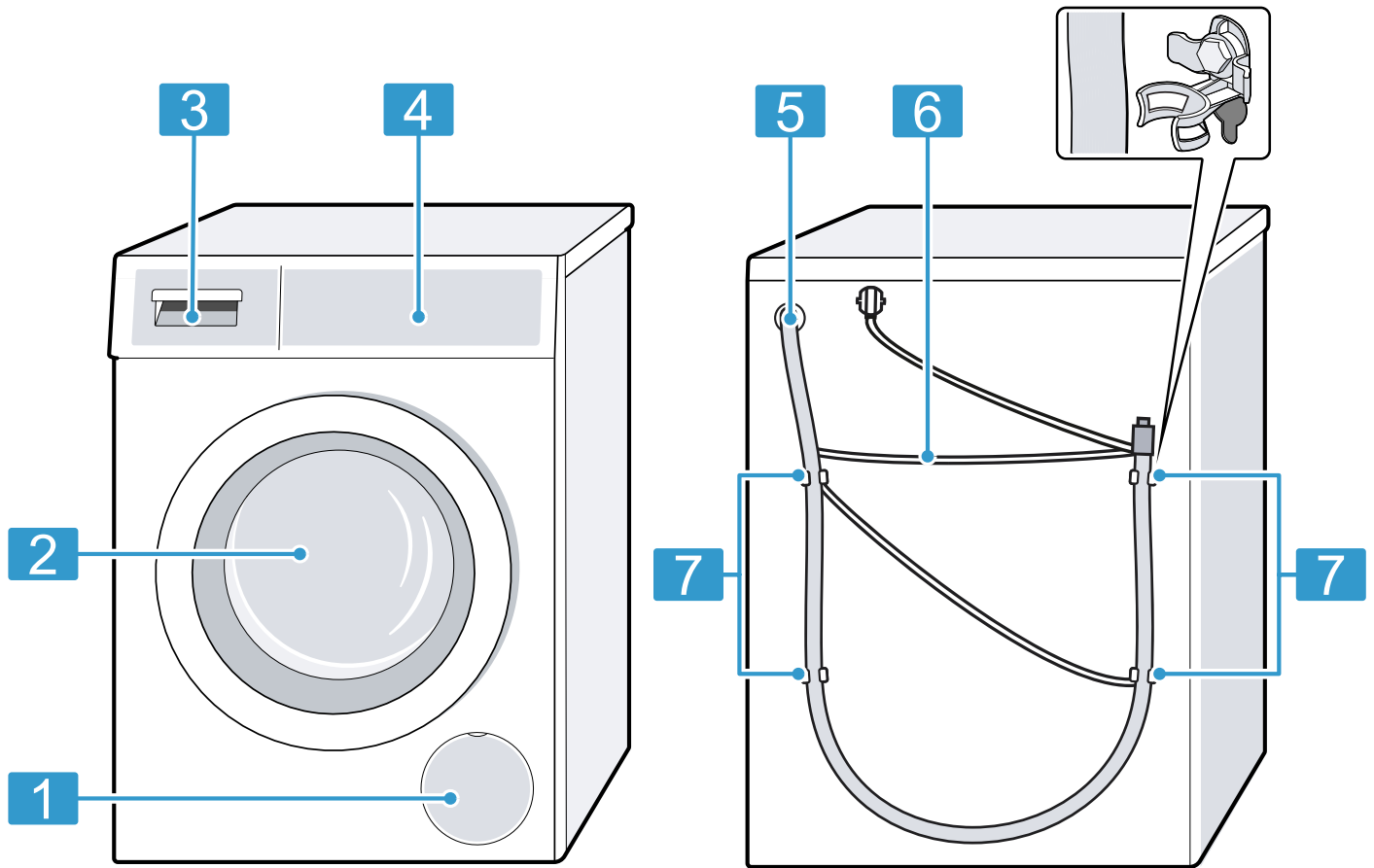
Note: Your electrical domestic installation for this appliance must comply with the local legal provisions and safety regulations, and should include a residual current circuit breaker.

1. Insert the power plug of the appliance's power cord in a socket outlet nearby.
The connection details of the appliance can be found under Technical data.
2. Check the power plug is inserted properly.

5 Familiarizing yourself with your appliance

5.1 Appliance

Here you can find an overview of the parts of your appliance.

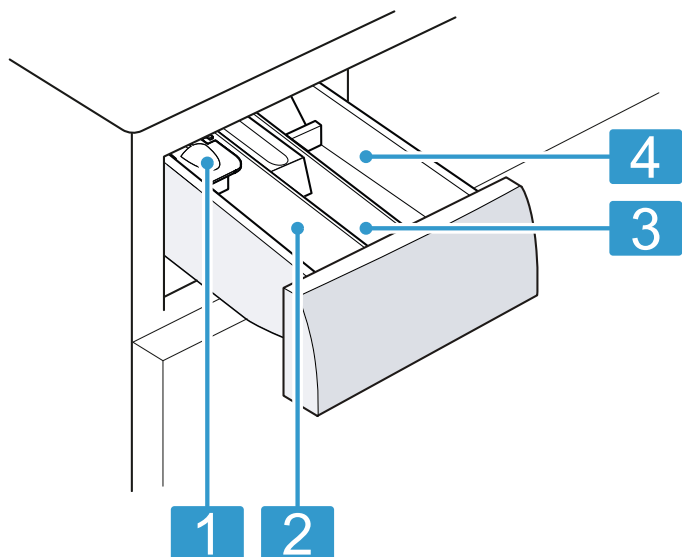


On certain models, specific details such as the color and shape may differ from those pictured.

1	Maintenance flap for the drain pump
2	Door
3	Detergent drawer → <i>Page 16</i>
4	Control panel → <i>Page 17</i>
5	Water drain hose → <i>Page 14</i>
6	Power cord → <i>Page 15</i>
7	Transit bolts → <i>Page 13</i>

5.2 Detergent drawer

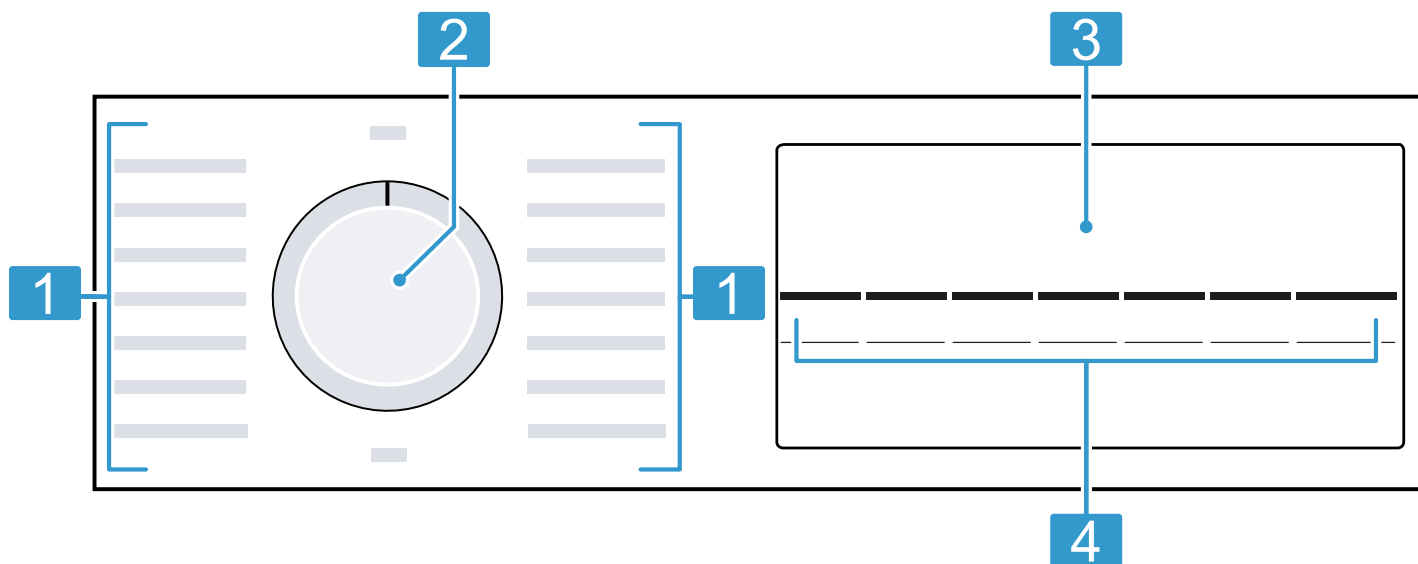
Note: Observe the manufacturer's instructions on the use and dosage of the detergent and care product and the information in the program descriptions.



- 1** Measuring aid for liquid detergent
- 2** Compartment II: Detergent for the main wash
- 3** Compartment ☼: Fabric softener
- 4** Compartment I: Detergent for prewash

5.3 Control panel

You can use the control panel to configure all functions of your appliance and to obtain information about the operating status.



- 1** Programs
- 2** Program selector → *Page 24*
- 3** Display
- 4** Buttons

6 Before using for the first time

Prepare the appliance for use.

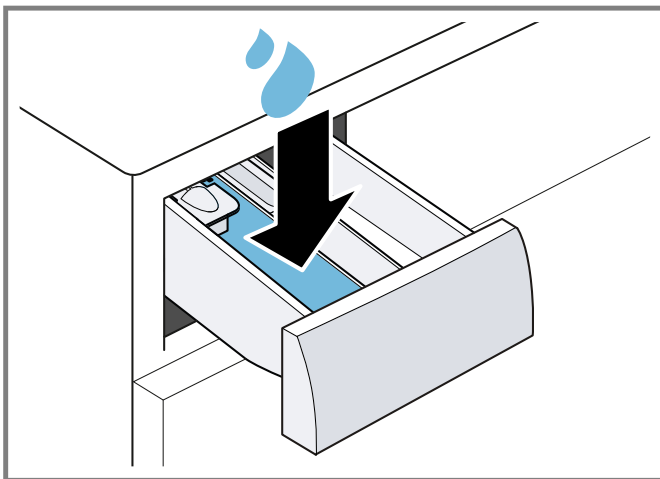
6.1 Starting an empty washing cycle

Your appliance was inspected thoroughly before leaving the factory. To remove any residual water, run the first wash cycle without any laundry.

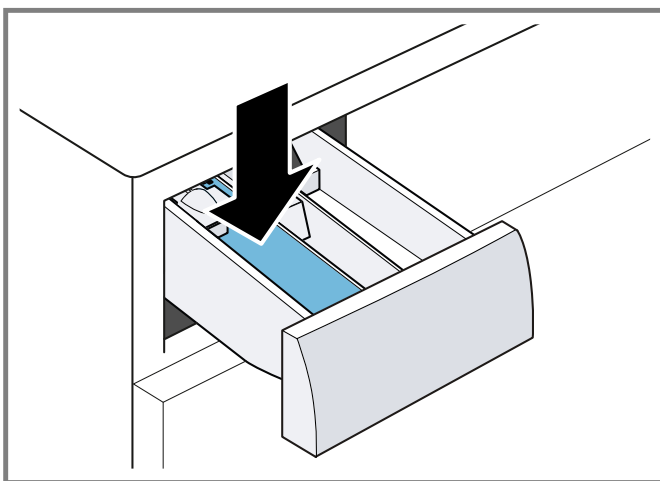
1. Turn the program selector to **Drum Clean**.
2. Close the door.
3. Pull out the detergent drawer.

en-us Before using for the first time

4. Pour approximately 1 US quart (1 liter) of tap water into compartment II.



5. Pour all-purpose washing powder into compartment II.

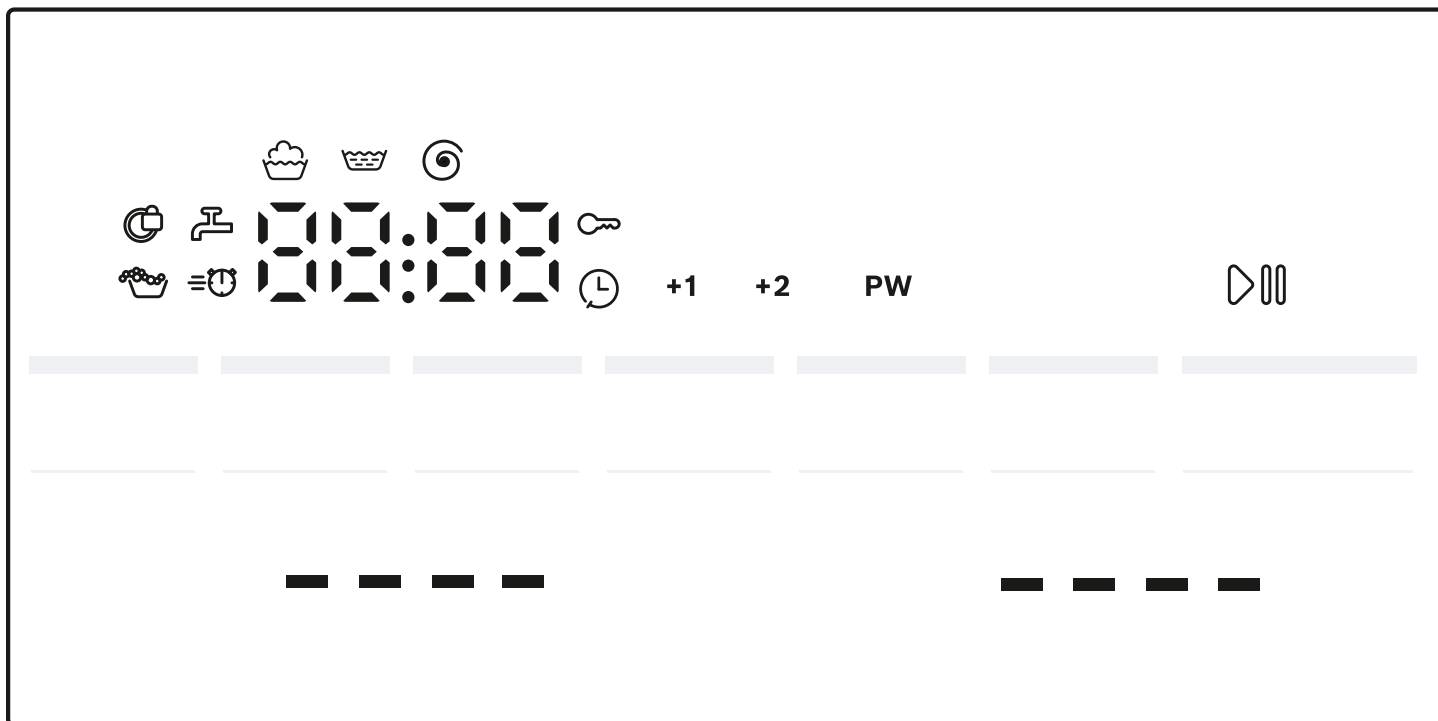


To prevent foaming, use only half of the amount of detergent recommended by the detergent manufacturer for light soiling. Do not use detergent suitable for woolens or delicates.

6. Push in the detergent drawer.
7. Press **Start Pause** to start the program.
 - ✓ The display shows the remaining program duration.
 - ✓ After the program has ended, the display shows: **End**.
8. Start the first wash cycle or set the program selector to **Off** to switch off the appliance.
 - "Basic Operation", Page 24

7 Display



The display shows the current settings, options or relevant information.



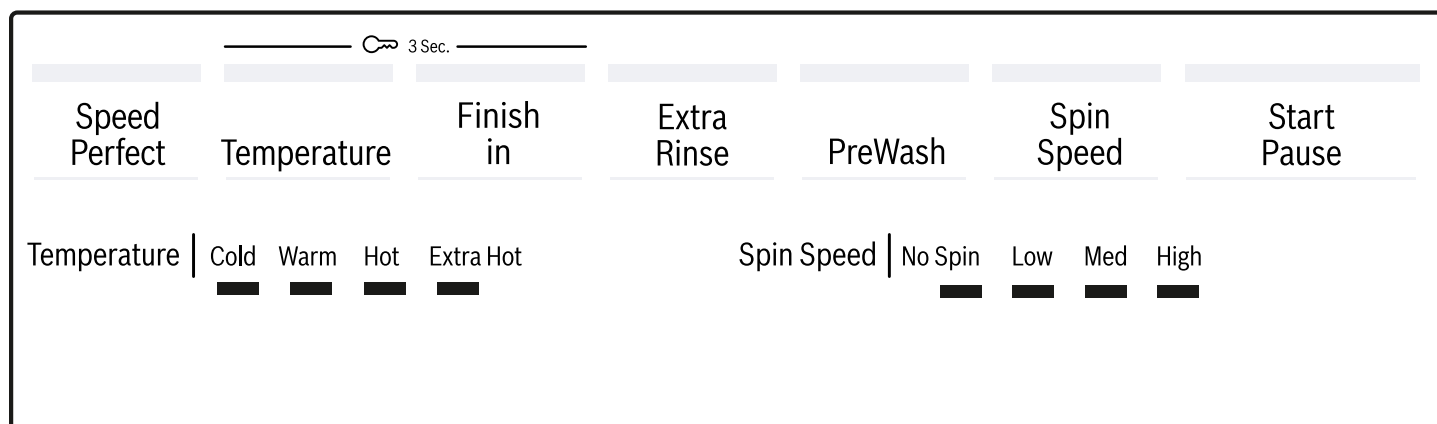
Example: Display

Display	Designation	More information
00:40 ¹	Program duration/program time remaining	Approximate expected program duration or program time remaining.
10h ⌚ ¹	"Ready in" time	→ "Buttons", Page 21
—	Spin speed	Set spin speed in rpm at the settings No Spin, Low, Med and High. No Spin= No spin cycle, draining only
—	Temperature	Set temperature at the settings Cold, Warm, Hot and Extra Hot.
▶	Start/pause	Start, cancel or pause <ul style="list-style-type: none"> ■ Lights up: The program is running and can be cancelled or paused. ■ Flashes: The program can be started or continued.
🧺	Wash	Program status
🧺	Rinse	Program status
🌀	Spin	Program status
End	End of program	Program status
🔑	Control panel lock	<ul style="list-style-type: none"> ■ Lights up: The control panel lock is activated. ■ Flashes: The control panel lock is activated and the appliance has been operated. → "Deactivate control panel lock", Page 25
+1 +2	Additional rinse	Additional rinse cycles are activated.
PW	Prewash	Prewash is activated. → "Buttons", Page 21
⌚	SpeedPerfect	Short wash activated. → "Buttons", Page 21
🧺	Foam detection system	The appliance has detected too much foam.

¹ Example

Display	Designation	More information
	Door	<ul style="list-style-type: none">▪ Lights up: The door is locked and cannot be opened.▪ Flashes: The door is not closed.▪ Off: The door is unlocked and can be opened.
	Tap	<ul style="list-style-type: none">▪ No water pressure.▪ The water pressure is too low.
E:35 / -10 ¹	Fault	Fault code, fault display, signal.
¹ Example		

8 Buttons



The selection of program settings depends on the selected program.

Button	Selection	More information
Start Pause	<ul style="list-style-type: none"> ▪ start ▪ cancel ▪ pause 	Start, cancel or pause the program.
Speed Perfect	<ul style="list-style-type: none"> ▪ Activate ▪ Deactivate 	Activate or deactivate a shorter program duration. Note: Energy consumption increases. The washing result is not affected by this.
Finish in	Up to 24 hours	Set the program end. The program duration is already included in the set number of hours. Once the program has started, the program duration is displayed.
Temperature	Cold, Warm, Hot, Extra Hot	Adjust the temperature.
Spin Speed	No Spin, Low, Med, High	Adjust the spin speed or deactivate the spin cycle. If No Spin is selected, the water is drained and the spin cycle is deactivated. The laundry stays wet inside the drum.
🔒 3 Sec.	<ul style="list-style-type: none"> ▪ Activate ▪ Deactivate 	→ "Control panel lock", Page 25
PreWash	<ul style="list-style-type: none"> ▪ activate ▪ deactivate 	Activate or deactivate prewash, e.g., for washing heavily soiled laundry.
Extra Rinse	<ul style="list-style-type: none"> ▪ +1 ▪ +2 	Activate or deactivate up to two additional rinse cycles. Recommended for particularly sensitive skin or in regions with very soft water.

9 Programs

Note: The laundry's care labels provide you with additional information on program selection.

Program	Description	Max. load
Cotton Normal	Wash hard-wearing items made from cotton, linen, or blended fabrics. Also suitable as a short program for normally soiled laundry when you activate Speed Perfect. Program setting: <ul style="list-style-type: none"> ■ Temperature: Cold - Extra Hot ■ Spin speed: High 	Full load 1/2 load ¹
Cotton Light Soil	Wash hard-wearing items made from cotton, linen, or blended fabrics. Short program for normally soiled laundry. Program setting: <ul style="list-style-type: none"> ■ Temperature: Cold - Extra Hot ■ Spin speed: No Spin – High 	1/2 load
Towels	Hard-wearing items made from cotton or blended fabrics, e.g., towels and bathrobes. Program setting: <ul style="list-style-type: none"> ■ Temperature: Cold - Extra Hot ■ Spin speed: No Spin – High 	1/2 load
Allergen	Wash hard-wearing items made from cotton, linen, or blended fabrics. Suitable for allergy sufferers and for strict hygiene requirements. Note: Once the set temperature has been reached, it remains constant throughout the washing process. Program setting: <ul style="list-style-type: none"> ■ Temperature: Cold - Extra Hot ■ Spin speed: No Spin – High 	Full load 1/2 load ¹
Jeans	Wash dark-colored and color-intense items made from cotton or permanent press fabric, e.g., jeans. Turn laundry inside-out before washing. Use liquid detergent. Program setting: <ul style="list-style-type: none"> ■ Temperature: Cold - Hot ■ Spin speed: No Spin – High 	1/2 load
Heavy Duty	Wash pillows or quilts stuffed with synthetic fibers, or down fillings. Wash large items separately. Use a detergent that is suitable for down or delicates. Use sparingly. Do not use fabric softener. Note: To prevent excessive foaming, remove air from laundry items by rolling them up before you wash them. Program setting: <ul style="list-style-type: none"> ■ Temperature: Cold - Extra Hot ■ Spin speed: No Spin – High 	1/3 load
Drum Clean	Cleaning and caring for the drum. Use this program in the following cases: <ul style="list-style-type: none"> ■ Before using the appliance for the first time ■ When regularly washing at the Warm temperature setting or lower ■ After an extended period of non-use Use all-purpose washing powder or a detergent containing bleach. Halve the amount of detergent to avoid foaming. Do not use fabric softener. Do not use liquid detergent or detergent that is intended for woolens or delicates.	— ²
Drain	Drains the water, e.g. when a program is canceled. Do not use fabric softener.	—

¹ **Speed Perfect** activated

² Washing not possible

Program	Description	Max. load
Hand Wash/Wool	Wash hand- or machine-washable items that are made from wool or contain wool. To prevent the laundry from shrinking, the drum moves the items very gently with long pauses. Use a detergent that is suitable for wool. Program setting: <ul style="list-style-type: none"> ■ Temperature: Cold - Hot ■ Spin speed: No Spin - Med 	1/3 load
Rinse/Spin	Rinses and then spins the laundry, and then drains the water. Program combinations: <ul style="list-style-type: none"> ■ If you only want to rinse, you can activate No Spin. After the rinsing process, the water is drained, and the laundry is not spun. ■ If you only want to spin, deactivate Extra Rinse. The laundry is not rinsed, but the water is drained, and the laundry is spun. Program setting: <ul style="list-style-type: none"> ■ Temperature: - ■ Spin speed: No Spin – High 	–
Quick 30	Wash items made from cotton, or synthetic or blended fabrics. Short program for small items of lightly soiled laundry. Program setting: <ul style="list-style-type: none"> ■ Temperature: Cold - Hot ■ Spin speed: No Spin- High 	1/2 load
Delicates	Wash delicate, washable items made from silk, viscose and synthetics. Use a detergent that is suitable for delicates or silk. Note: Wash especially delicate items or items with hooks, eyelets or clips in a mesh laundry bag. Program setting: <ul style="list-style-type: none"> ■ Temperature: Cold - Hot ■ Spin speed: No Spin - Med 	1/3 load
Perm P Light Soil	Wash items made from cotton, or synthetic or blended fabrics. Short program for small items of lightly soiled laundry. Program setting: <ul style="list-style-type: none"> ■ Temperature: Cold - Hot ■ Spin speed: No Spin – High 	1/2 load
Perm P Heavy Soil	Wash items made from synthetic or blended fabrics. Program setting: <ul style="list-style-type: none"> ■ Temperature: Cold - Hot ■ Spin speed: No Spin – High 	1/2 load
Perm Press	Wash items made from cotton, linen, or synthetic or blended fabrics. Suitable for lightly soiled laundry. Program setting: <ul style="list-style-type: none"> ■ Temperature: Cold - Hot ■ Spin speed: No Spin – High 	1/2 load

¹ **Speed Perfect** activated

² Washing not possible

10 Accessories

Only use original accessories. These are designed especially for your appliance.

Note: Some accessories are available in other colors.

Contact

→ "Customer Service", Page 37.

	Use	Order number
Fixing brackets	Improves the stability of the appliance.	WMZ2200
Platform	Install the appliance at a raised height so that it can be easily loaded and unloaded.	WMZPW20W

11 Laundry

11.1 Preparing the laundry

NOTICE:

Objects remaining in the laundry may damage the laundry and the drum.

- ▶ Remove all items from any pockets in your laundry before using the appliance.

Note

The appliance and fabrics are protected when you prepare your laundry.

- Brush off sand and soil
- Sort the laundry according to color and fabrics and observe the care labels
- Close all zippers, Velcro fasteners, hooks and eyes
- Tie cloth belts, cloth straps and cords together
- Remove curtain fittings and lead strips
- Wash small or particularly delicate items in a mesh washing bag
- Wash large and small items of laundry together
- Wash laundry with fresh stains immediately
- Pretreat laundry with dried stains and wash several times
- Load the laundry unfolded into the drum

12 Detergents and care products

The manufacturer's instructions for use and dosage can be found on the packaging.

Notes

- when using liquid detergents, only use liquid detergents that are self-flowing
- Do not mix different liquid detergents
- Do not mix detergent and fabric softener
- Do not use products that have expired or are highly congealed
- do not use products containing solvents, caustic agents or volatile substances
- Use dyes sparingly as salt may damage stainless steel
- Do not use color-bleaching agents in the appliance

13 Basic Operation

13.1 Switching on the appliance

Requirement: The appliance has been correctly installed and connected.

- ▶ Turn the program selector to a program.

13.2 Setting a program

1. Turn the program selector and set the required program.
2. If required, adjust the program settings.
→ "Changing the program settings", Page 24

13.3 Changing the program settings

Requirement: A program is set.
→ "Setting a program", Page 24

- ▶ Adjust the program settings.

Note: The program settings are not saved permanently for the program.

13.4 Loading laundry

Note: To prevent creasing, note the maximum load for the programs.

Requirements

- The laundry is prepared and sorted.
→ "Laundry", Page 24
- The drum is empty.

1. Open the door.
2. Place the laundry in the drum.
3. Close the door.

Ensure that there is no laundry trapped in the door.

13.5 Adding detergent and care product

Notes

- Do not use the measuring aid for liquid detergent for gel detergents, washing powder, or if Prewash or "Ready in" time are activated.
- Observe the information about detergents and care products → Page 24.

1. Pull out the detergent drawer.

2. Pour in the detergent.
→ "Detergent drawer", Page 16
3. If required, add the care product.
4. Push in the detergent drawer.

13.6 Starting the program

Requirement: A program has been set.

→ "Setting a program", Page 24

- ▶ Press **Start Pause**.
- ✓ The drum rotates and load detection takes place. This can take up to 2 minutes, after which water enters the drum.
- ✓ The display shows the program duration or the "Ready in" time.
- ✓ After the program has ended, the display shows: **End**.

13.7 Changing the activated "Ready in" time

If you have set and activated a "Ready in" time for a delayed program start, you can change the "Ready in" time again before the program starts.

Requirements

- The program is set.
→ "Setting a program", Page 24
- The "Ready in" time is set and activated.
→ "Buttons", Page 21

1. Press **Start Pause**.
The activated "Ready in" time is paused.
2. Press **Finish in** repeatedly until the display indicates the desired "Ready in" time.
3. Press **Start Pause**.
The changed "Ready in" time is activated.

13.8 Adding laundry

After the program starts, you can remove or add laundry depending on the program status.

1. Press **Start Pause**.
The appliance pauses.
Note: If you want to add laundry, follow the instructions on the display.
→ "Display", Page 20
2. Open the door.
3. Add or remove laundry.
4. Close the door.
5. Press **Start Pause**.

13.9 Terminating the program

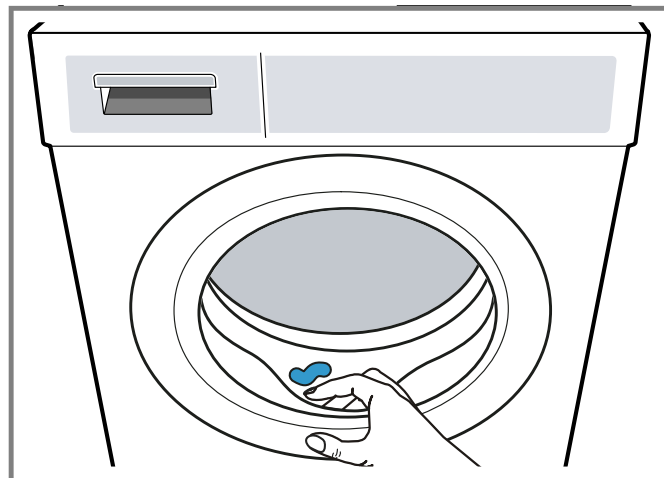
1. Press **Start Pause**.
2. Open the door.
The appliance door remains locked for safety reasons if the temperature and water levels are high.
 - If the temperature is high, start the **Rinse** program.
 - If the water level is high, start the **Spin** program or select a suitable program for draining.
3. Remove the laundry.
→ "Removing the laundry", Page 25

13.10 Removing the laundry

1. Open the door.
2. Remove the laundry from the drum.

13.11 Switching off the appliance

1. Turn the program selector to **Off**.
2. Turn off the tap.
3. Wipe the rubber gasket dry and remove any foreign objects.




4. Leave the appliance door and detergent drawer open so that residual water can evaporate.

14 Control panel lock


Secure your appliance against being operated unintentionally using the controls.

14.1 Activate control panel lock

- ▶ Press and hold the **Temperature** and **Finish in** buttons for approximately 3 seconds.
 - ✓ The display shows .
 - ✓ The controls are locked.
 - ✓ The control panel lock remains active even after the appliance has been switched off and in the event of a power failure.

14.2 Deactivate control panel lock

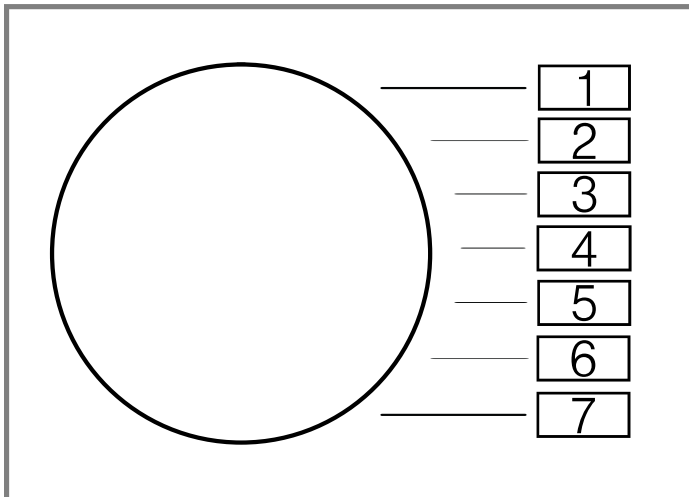
Requirement: To deactivate the control panel lock, the appliance must be switched on.

- ▶ Press and hold the **Temperature** and **Finish in** buttons for approximately 3 seconds.
 - ✓  goes out on the display.

15 Basic settings

You can configure the basic settings for your appliance to meet your needs.

15.1 Overview of the basic settings

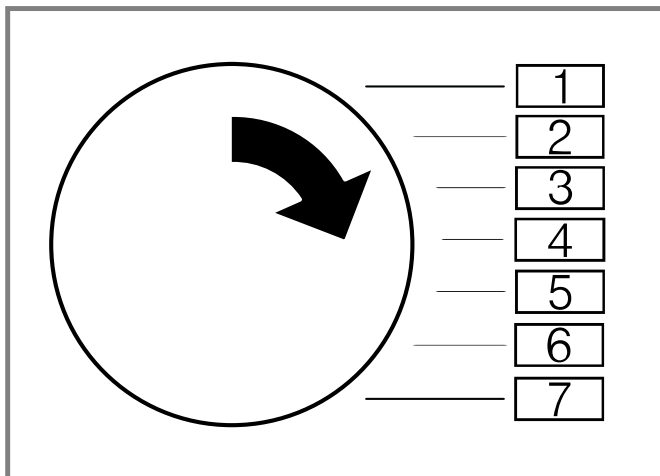


Basic setting	Program position	Value	Description
End signal	2	0 (off) 1 (quiet) 2 (medium) 3 (loud) 4 (very loud)	Set the volume of the audible signal emitted when the program ends.
Button signal	3	0 (off) 1 (quiet) 2 (medium) 3 (loud) 4 (very loud)	Set the volume of the audible signal emitted when the buttons are pressed.
Program counter	5	42 ¹	Display the number of finished programs.

¹ Example

15.2 Changing the basic settings

1. Set the program selector to position 1.



2. Press **Start Pause** and, at the same time, turn the program selector to position 2.
 - ✓ The display shows the current value.
3. Set the program selector to the required position.
4. To change the value, press **Finish in**.

5. To save the changes, switch off the appliance.

16 Cleaning and maintenance

To keep your appliance working efficiently for a long time, it is important to clean and maintain it carefully.

16.1 Cleaning the drum

⚠ CAUTION

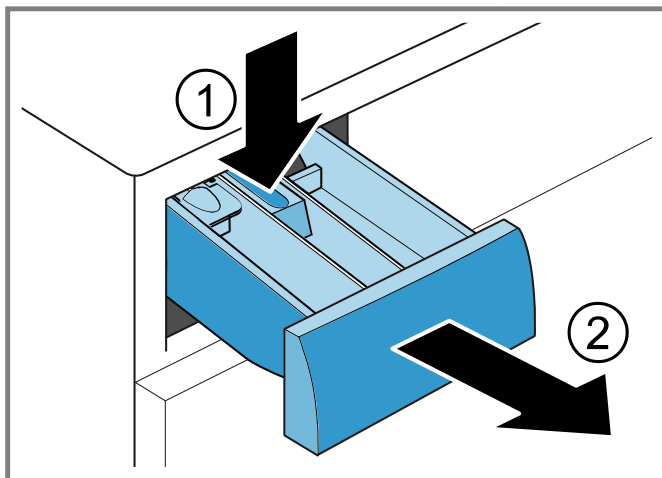
Permanently washing at low temperatures and a lack of ventilation for the appliance may damage the drum and cause injury.

- ▶ Regularly run a program for cleaning the drum or wash at the temperature setting Hot or higher.
- ▶ Leave the appliance to dry after every operation with the door open, and leave the detergent drawer to dry.
- ▶ Run the **Drum Clean** program without laundry and using all-purpose washing powder.

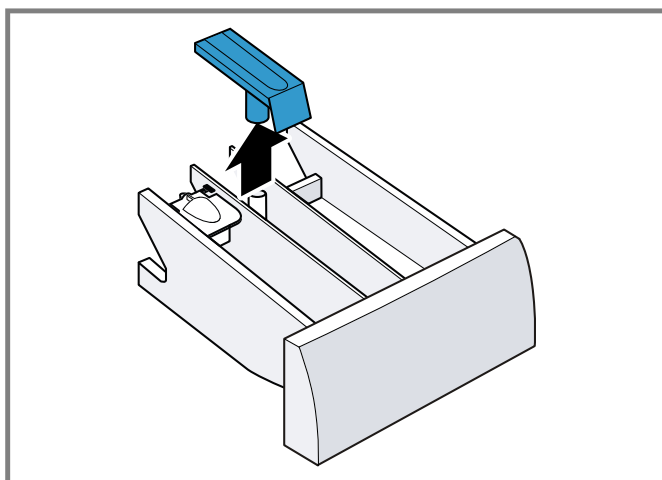
16.2 Cleaning the detergent drawer

1. Pull out the detergent drawer.

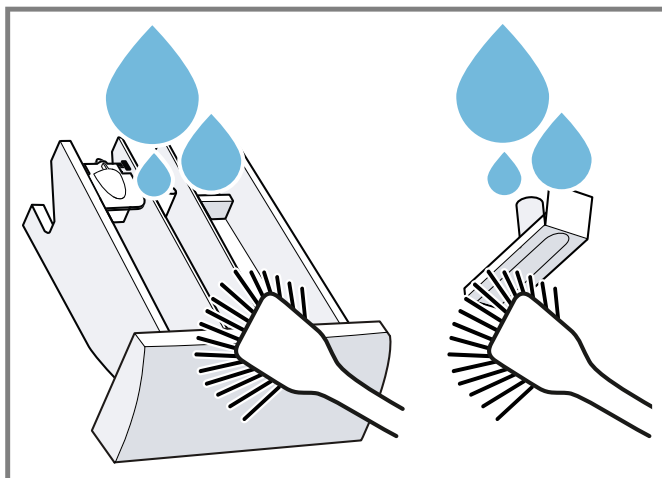
- Press down on the insert and remove the detergent drawer.



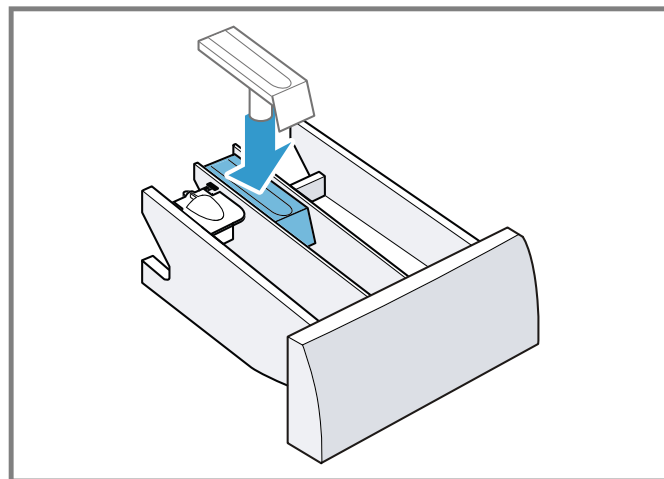
- Pull out the insert upwards.



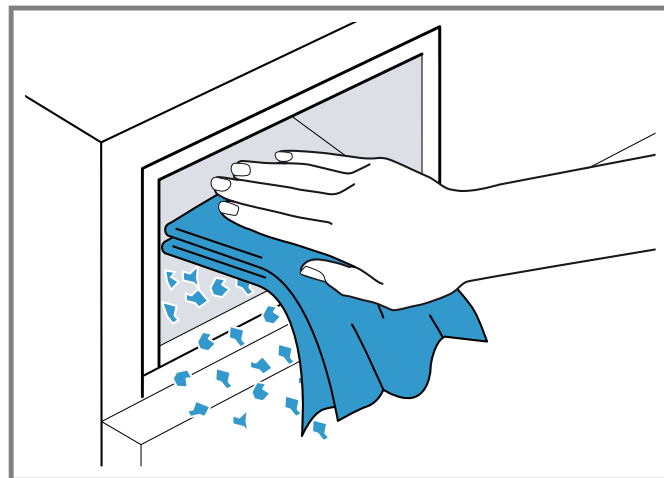
- Clean the detergent drawer and insert with water and a brush, and then dry them.



- Fit the insert and click it into place.



- Clean the opening for the detergent drawer.



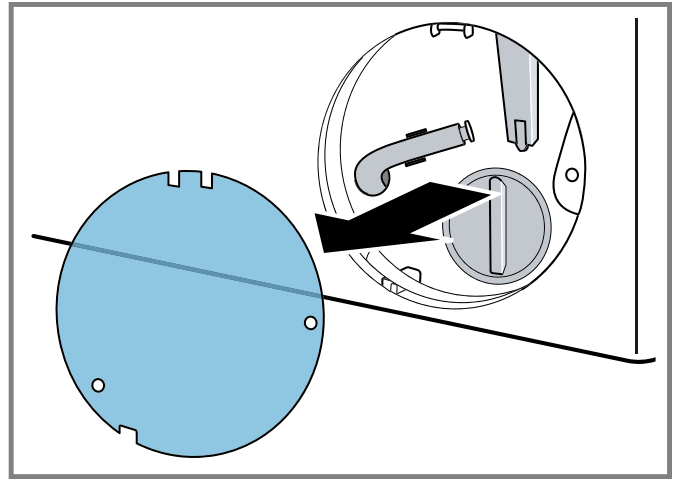
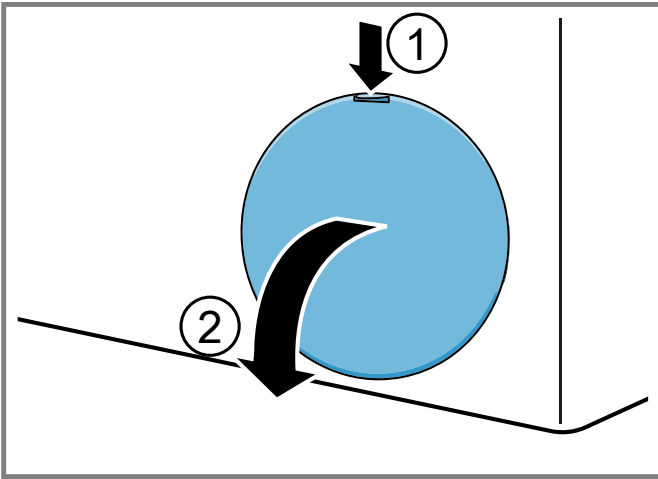
- Push in the detergent drawer.

16.3 Cleaning the drain pump

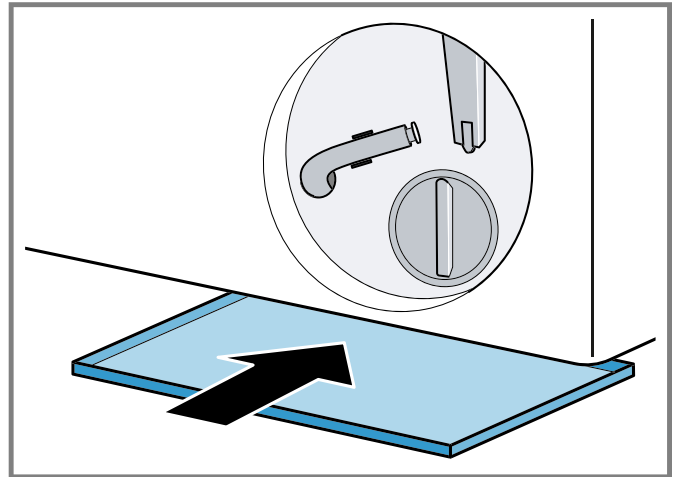
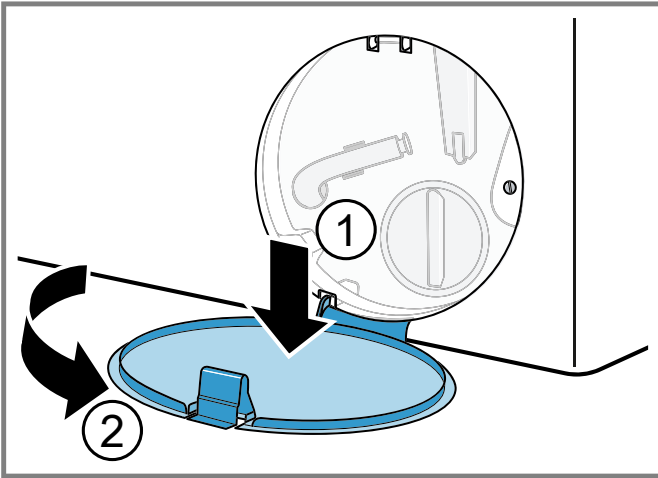
Clean the drain pump in the event of faults, e.g. blockages or rattling noises.

Emptying the drain pump

- Turn off the faucet.
- Switch off the appliance.
- Disconnect the appliance's mains plug from the power supply.
- Open and remove the service flap.

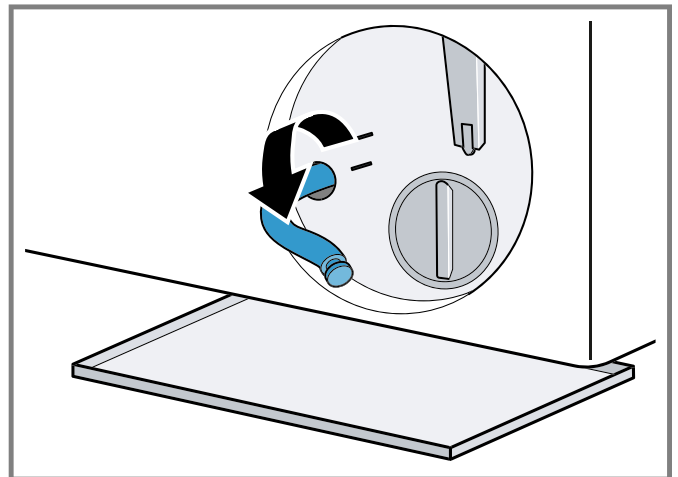
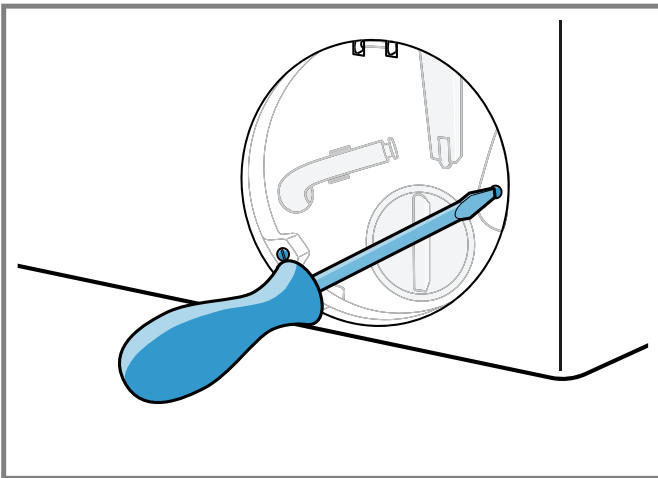


6. Slide a sufficiently large container under the opening.

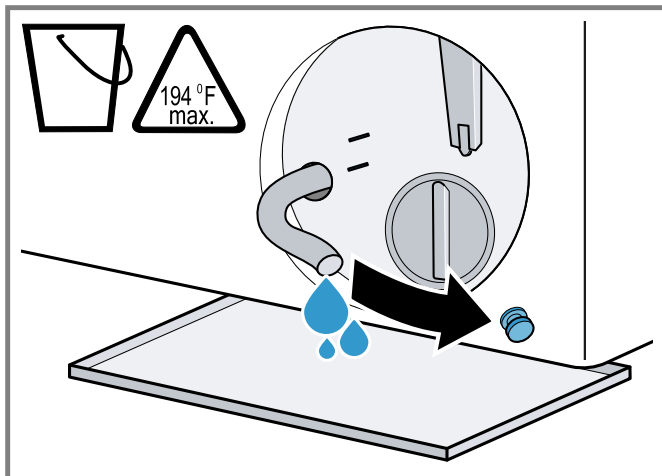


5. Loosen the screws and remove the protective film.

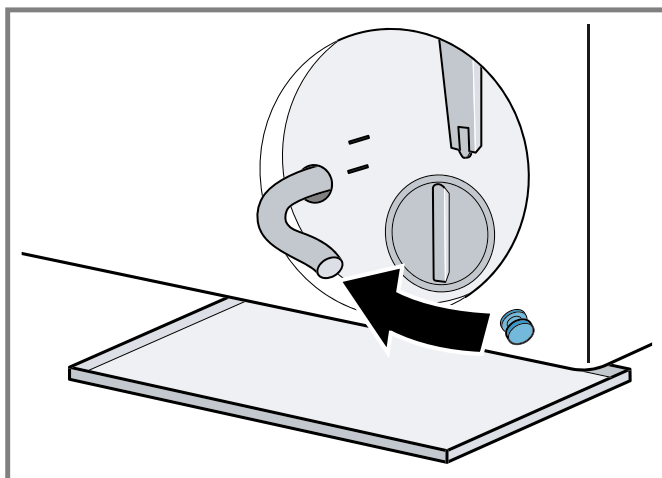
7. Take the drain hose out of the holder.



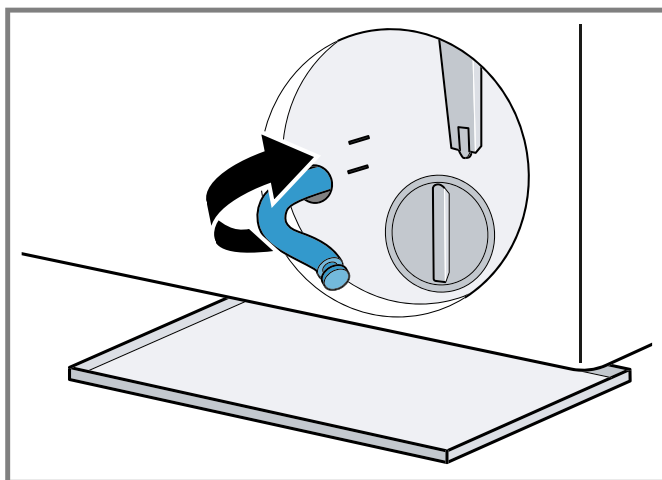
8. **⚠ CAUTION** When you wash at high temperatures, the detergent solution becomes hot.
 ▶ Do not touch the hot detergent solution.
 To allow the detergent solution to flow out into the container, remove the sealing cap.



9. Firmly press on the sealing cap.



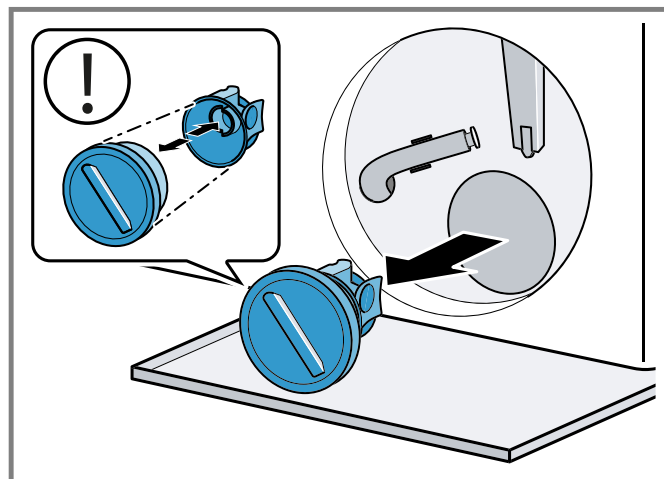
10. Clip the drain hose into the holder.



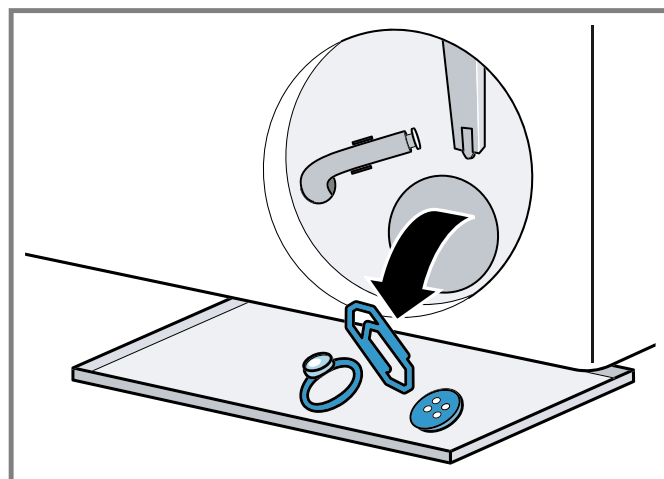
Cleaning the drain pump

Requirement: The drain pump is empty. → Page 27

1. Since water may remain in the drain pump, unscrew the pump cap carefully.
 – The filter insert in the pump housing may become stuck due to coarse particles of dirt. Loosen the dirt and remove the filter insert.

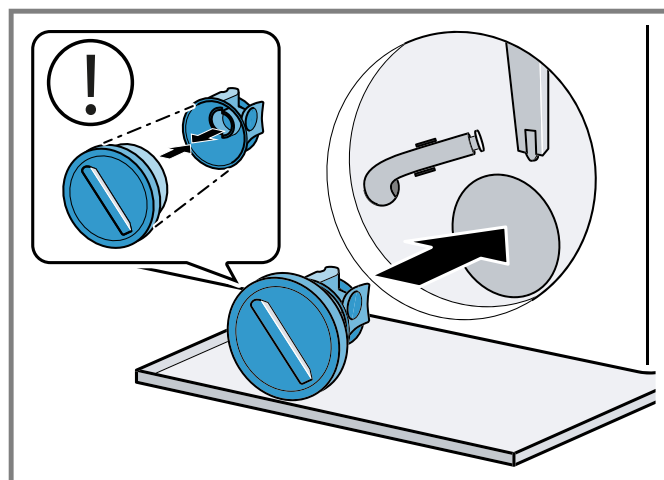


2. Clean the interior, the thread on the pump cap and the pump housing.

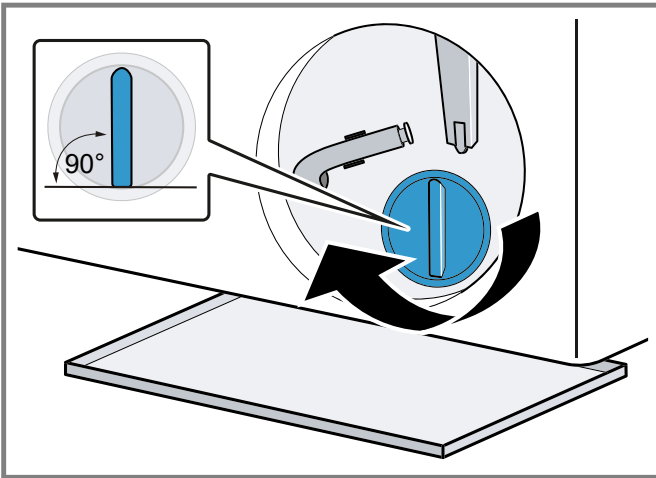


The pump cap is comprised of two parts which can be taken apart for cleaning.

3. Ensure that the impeller in the drain pump can rotate.
 4. Insert the pump cap.
 – Ensure that the parts of the pump cap are correctly assembled.

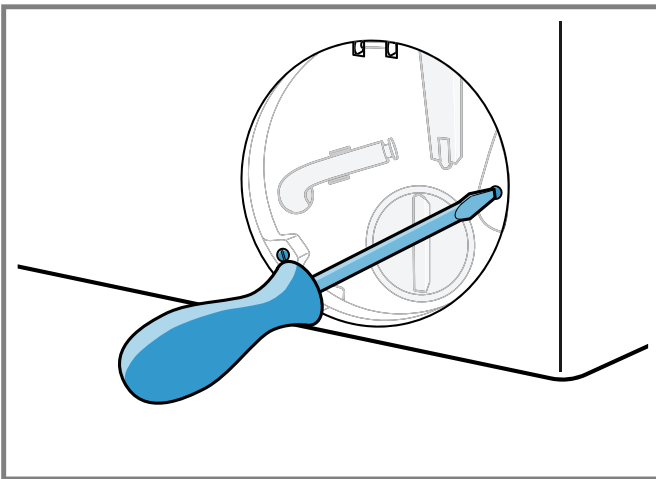
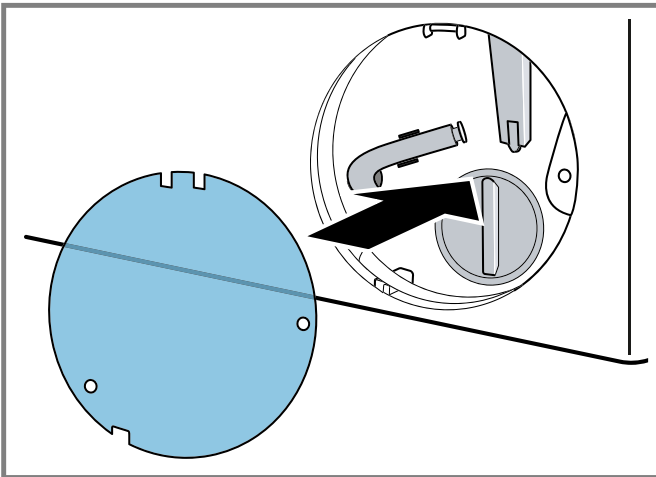


5. Screw the pump cap as far as it will go.

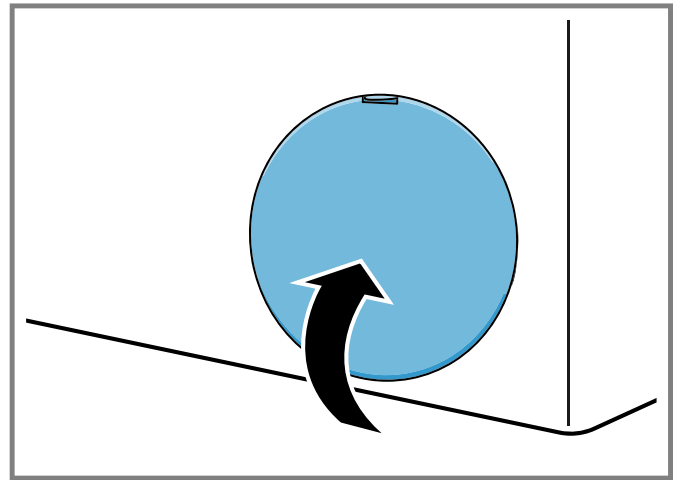
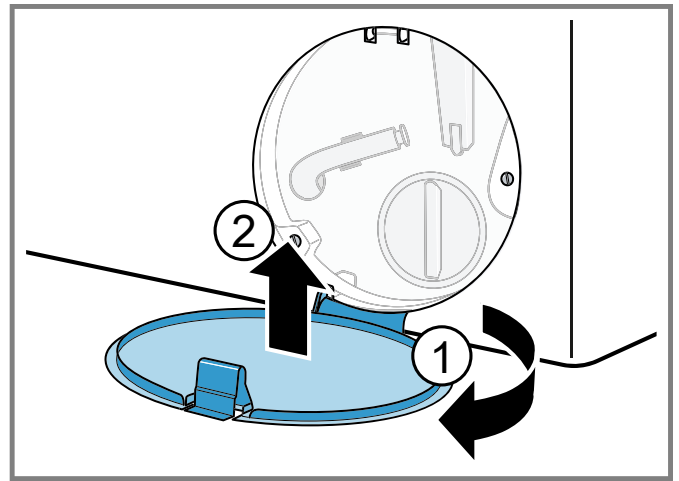


The handle on the pump cap must be in a vertical position.

6. Fit the protective film and secure with the screws.



7. Insert and close the service flap.



Before the next wash

To prevent unused detergent from flowing straight into the outlet in the next wash, run a suitable program for draining after you have emptied the drain pump.

1. Turn the faucet on.
2. Insert the mains plug.
3. Switch on the appliance.
4. Pour 1 US quart (1 liter) of water into compartment II.
5. Select a suitable program for draining.


17 Troubleshooting

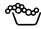
WARNING

Improper repairs are dangerous.

- ▶ Only original spare parts may be used to repair the appliance.

- ▶ If the power cord of this appliance becomes damaged, it must be replaced by the manufacturer, the manufacturer's Customer Service, or an authorized service provider in order to prevent injury.

Issue	Cause and troubleshooting
The display goes out and Start Pause flashes.	Energy-saving mode is active. <ul style="list-style-type: none"> ▶ Press any button. ✓ The display lights up again.
"E:36 / -10"	Drain pipe or water outlet hose is blocked. <ul style="list-style-type: none"> ▶ Clean the drain pipe and the water outlet hose. Drain pipe or water outlet hose is kinked or trapped. <ul style="list-style-type: none"> ▶ Ensure that the drain pipe and water outlet hose are not kinked or trapped. Drain pump is blocked. <ul style="list-style-type: none"> ▶ → <i>"Cleaning the drain pump", Page 27.</i> The water outlet hose is connected too high. <ul style="list-style-type: none"> ▶ Install the water outlet hose at a maximum height of 39 in. (1 meter). Pump cap is not correctly assembled. <ul style="list-style-type: none"> ▶ Correctly assemble the pump cover. Detergent dosage is too high. <ul style="list-style-type: none"> ▶ Immediate measure: Mix one tablespoon of fabric softener with 0.5 US quarts (0.5 liters) of water and pour the mixture into the left-hand compartment (not for outdoor clothing, sportswear or items stuffed with down). ▶ Reduce the amount of detergent for the next washing cycle with the same load. Unapproved extension installed on the water outlet hose. <ul style="list-style-type: none"> ▶ Remove any unapproved extensions from the water outlet hose. → <i>"Connecting the appliance", Page 14</i> The pump cap is not fully screwed in. <ul style="list-style-type: none"> ▶ Ensure that the pump cap is screwed in all the way into the appliance. The handle on the pump cap must be in a vertical position.
"E:60 / -2B"	The unbalanced load detection system has interrupted the spin cycle because the laundry is unevenly distributed. <ul style="list-style-type: none"> ▶ Redistribute the laundry in the drum. Note: Where possible, mix large and small items in the drum. Laundry items of different size distribute themselves better during the spin cycle.
"E:30 / -10" and/or 	The water pressure is low. No remedial action possible. <hr/> The filters in the water inlet are blocked. <ul style="list-style-type: none"> ▶ Clean the filters in the water inflow. Faucet is turned off. <ul style="list-style-type: none"> ▶ Turn on the faucet. The water inlet hose is kinked or jammed. <ul style="list-style-type: none"> ▶ Ensure that the water inlet hose is not kinked or jammed. Water level measurement system is defective. Note: With this fault message, the appliance starts a draining process. <ol style="list-style-type: none"> 1. First wait approximately 5 minutes until the draining process has ended. 2. To reset the fault message, switch the appliance off. 3. Switch the appliance back on. 4. If the fault message is displayed again, call customer service. → <i>"Customer Service", Page 37</i>
"E:92 /- 01"	The water pressure is low. No remedial action possible. <hr/> The filters in the water inlet are blocked.

Issue	Cause and troubleshooting
"E:92 /- 01"	<ul style="list-style-type: none"> ▶ Clean the filters in the water inflow. <hr/> <p>Faucet is turned off.</p> <ul style="list-style-type: none"> ▶ Turn on the faucet. <hr/> <p>The water inlet hose is kinked or jammed.</p> <ul style="list-style-type: none"> ▶ Ensure that the water inlet hose is not kinked or jammed. <hr/> <p>Water level measurement system is defective.</p> <p>Note: With this fault message, the appliance starts a draining process.</p> <ol style="list-style-type: none"> 1. First wait approximately 5 minutes until the draining process has ended. 2. To reset the fault message, switch the appliance off. 3. Switch the appliance back on. 4. If the fault message is displayed again, call customer service. → <i>"Customer Service", Page 37</i>
	<p>Detergent dosage is too high.</p> <ul style="list-style-type: none"> ▶ Immediate measure: Mix one tablespoon of fabric softener with 0.5 US quarts (0.5 liters) of water and pour the mixture into the left-hand compartment (not for outdoor clothing, sportswear or items stuffed with down). ▶ Reduce the amount of detergent for the next washing cycle with the same load.
Ⓢ lights up.	<p>Temperature is too high.</p> <ul style="list-style-type: none"> ▶ Wait until the temperature has dropped. ▶ → <i>"Terminating the program", Page 25</i> <hr/> <p>Water level is too high.</p> <ul style="list-style-type: none"> ▶ Select a suitable program for draining.
Ⓢ flashes.	<p>The door is not closed.</p> <ol style="list-style-type: none"> 1. Close the door. 2. Press Start Pause to start the program. <hr/> <p>Laundry is caught in the door.</p> <ol style="list-style-type: none"> 1. Open the door again. 2. Remove any trapped laundry. 3. Close the door. 4. Press Start Pause to start the program.
All other fault codes.	<p>Operational fault</p> <ul style="list-style-type: none"> ▶ Call Customer Service. → <i>"Customer Service", Page 37</i>
"E:30/-20"	<p>Solenoid valve defective.</p> <ul style="list-style-type: none"> ▶ Call customer service. → <i>"Customer Service", Page 37</i> <hr/> <p>Detergent dosage is too high.</p> <ul style="list-style-type: none"> ▶ Reduce the amount of detergent for the next washing cycle with the same load. <hr/> <p>Additional water is added.</p> <ul style="list-style-type: none"> ▶ Do not add any extra water to the appliance while it is operating.
The appliance is not working.	<p>The plug for the power cord is not plugged in.</p> <ul style="list-style-type: none"> ▶ Connect the appliance to the power supply. <hr/> <p>The circuit breaker in the circuit breaker panel has tripped.</p> <ul style="list-style-type: none"> ▶ Check the breaker panel. <hr/> <p>There has been a power failure.</p> <ul style="list-style-type: none"> ▶ Check whether the lighting in your kitchen or other appliances in the room are working.
The program does not start.	<p>Start Pause has not been pressed.</p> <ul style="list-style-type: none"> ▶ Press Start Pause. <hr/> <p>The door is not closed.</p> <ol style="list-style-type: none"> 1. Close the door. 2. Press Start Pause to start the program. <hr/> <p>Control panel lock is activated.</p> <ul style="list-style-type: none"> ▶ Deactivate the control panel lock.

Issue	Cause and troubleshooting
The program does not start.	<p>Finish in is activated.</p> <ul style="list-style-type: none"> ▶ Check whether Finish in is activated. → <i>"Buttons", Page 21</i> <hr/> <p>Laundry is caught in the door.</p> <ol style="list-style-type: none"> 1. Open the door again. 2. Remove any trapped laundry. 3. Close the door. 4. Press Start Pause to start the program.
The washing machine door cannot be opened.	<p>Temperature is too high.</p> <ul style="list-style-type: none"> ▶ Wait until the temperature has dropped. ▶ → <i>"Terminating the program", Page 25</i> <hr/> <p>Water level is too high.</p> <ul style="list-style-type: none"> ▶ Select a suitable program for draining. <hr/> <p>Power failure.</p> <ul style="list-style-type: none"> ▶ Open the door using the emergency release. → <i>"Emergency release", Page 36</i>
The water is not being pumped out.	<p>Drain pipe or water outlet hose is blocked.</p> <ul style="list-style-type: none"> ▶ Clean the drain pipe and the water outlet hose. <hr/> <p>Drain pipe or water outlet hose is kinked or trapped.</p> <ul style="list-style-type: none"> ▶ Ensure that the drain pipe and water outlet hose are not kinked or trapped. <hr/> <p>Drain pump is blocked.</p> <ul style="list-style-type: none"> ▶ → <i>"Cleaning the drain pump", Page 27.</i> <hr/> <p>The water outlet hose is connected too high.</p> <ul style="list-style-type: none"> ▶ Install the water outlet hose at a maximum height of 39 in. (1 meter). <hr/> <p>Pump cap is not correctly assembled.</p> <ul style="list-style-type: none"> ▶ Correctly assemble the pump cover. <hr/> <p>Detergent dosage is too high.</p> <ul style="list-style-type: none"> ▶ Immediate measure: Mix one tablespoon of fabric softener with 0.5 US quarts (0.5 liters) of water and pour the mixture into the left-hand compartment (not for outdoor clothing, sportswear or items stuffed with down). ▶ Reduce the amount of detergent for the next washing cycle with the same load. <hr/> <p>Unapproved extension installed on the water outlet hose.</p> <ul style="list-style-type: none"> ▶ Remove any unapproved extensions from the water outlet hose. → <i>"Connecting the appliance", Page 14</i> <hr/> <p>The pump cap is not fully screwed in.</p> <ul style="list-style-type: none"> ▶ Ensure that the pump cap is screwed in all the way into the appliance. The handle on the pump cap must be in a vertical position.
Water is not flowing in. Detergent is not being dispensed.	<p>Start Pause has not been pressed.</p> <ul style="list-style-type: none"> ▶ Press Start Pause. <hr/> <p>The filters in the water inlet are blocked.</p> <ul style="list-style-type: none"> ▶ Clean the filters in the water inflow. <hr/> <p>Faucet is turned off.</p> <ul style="list-style-type: none"> ▶ Turn on the faucet. <hr/> <p>The water inlet hose is kinked or jammed.</p> <ul style="list-style-type: none"> ▶ Ensure that the water inlet hose is not kinked or jammed.
Drum starts rotating briefly several times.	<p>The unbalanced load detection system eliminates an imbalance by repeatedly redistributing the laundry.</p> <ul style="list-style-type: none"> ▶ Not a fault – no action required. <p>Note: When loading, where possible, place large and small items of laundry together in the drum. Laundry items of different size distribute themselves better during the spin cycle.</p>
The program duration changes during the wash cycle.	<p>The program operation is optimized electronically. This may change the program duration.</p> <ul style="list-style-type: none"> ▶ Not a fault – no action required.

Issue	Cause and troubleshooting
The program duration changes during the wash cycle.	<p>The unbalanced load detection system eliminates an imbalance by repeatedly redistributing the laundry.</p> <ul style="list-style-type: none"> ▶ Not a fault – no action required. <p>Note: When loading, where possible, place large and small items of laundry together in the drum. Laundry items of different size distribute themselves better during the spin cycle.</p> <hr/> <p>Foam detection system switches on a rinse cycle if foam build-up is too high.</p> <ul style="list-style-type: none"> ▶ Not a fault – no action required.
There is no water visible in the drum.	<p>Water is below the visible area.</p> <ul style="list-style-type: none"> ▶ Not a fault – no action required. ▶ Do not add any extra water to the appliance while it is operating.
Drum jerks after the program starts.	<p>This is caused by an internal motor test.</p> <ul style="list-style-type: none"> ▶ Not a fault – no action required.
Residual water is present in the compartment ☼.	<p>Insert in compartment ☼ is blocked.</p> <ul style="list-style-type: none"> ▶ → <i>"Cleaning the detergent drawer", Page 26</i>
Vibrations and movement of the appliance whilst spinning.	<p>Appliance is not correctly aligned.</p> <ul style="list-style-type: none"> ▶ → <i>"Aligning the appliance", Page 15</i> <hr/> <p>The appliance feet are not fixed.</p> <ul style="list-style-type: none"> ▶ Secure the appliance feet. → <i>"Aligning the appliance", Page 15</i> <hr/> <p>Transit bolts have not been removed.</p> <ul style="list-style-type: none"> ▶ → <i>"Removing the transit bolts", Page 13.</i>
Drum rotates, water does not flow in.	<p>Load detection is active.</p> <ul style="list-style-type: none"> ▶ Not a fault – no action required. <p>Note: The load detection can take up to 2 minutes.</p>
Heavy foam build-up.	<p>Detergent dosage is too high.</p> <ul style="list-style-type: none"> ▶ Immediate measure: Mix one tablespoon of fabric softener with 0.5 US quarts (0.5 liters) of water and pour the mixture into the left-hand compartment (not for outdoor clothing, sportswear or items stuffed with down). ▶ Reduce the amount of detergent for the next washing cycle with the same load.
High spin speed not reached.	<p>A low spin speed is selected.</p> <ul style="list-style-type: none"> ▶ The next time you run a wash cycle, set a higher spin speed. <hr/> <p>Unbalance load detection system is using a reduced spin speed to eliminate an unbalance.</p> <ul style="list-style-type: none"> ▶ Redistribute the laundry in the drum. <p>Note: Where possible, mix large and small items in the drum. Laundry items of different size distribute themselves better during the spin cycle.</p> <ul style="list-style-type: none"> ▶ Start the Rinse/Spin program.
The spin program does not start.	<p>Drain pipe or water outlet hose is blocked.</p> <ul style="list-style-type: none"> ▶ Clean the drain pipe and the water outlet hose. <hr/> <p>Drain pipe or water outlet hose is kinked or trapped.</p> <ul style="list-style-type: none"> ▶ Ensure that the drain pipe and water outlet hose are not kinked or trapped. <hr/> <p>The unbalanced load detection system has interrupted the spin cycle because the laundry is unevenly distributed.</p> <ul style="list-style-type: none"> ▶ Redistribute the laundry in the drum. <p>Note: Where possible, mix large and small items in the drum. Laundry items of different size distribute themselves better during the spin cycle.</p> <ul style="list-style-type: none"> ▶ Start the Rinse/Spin program.
Rushing, hissing noise.	<p>Water is flushed under pressure into the detergent drawer.</p> <ul style="list-style-type: none"> ▶ Not a fault – normal operating noise.
Loud noises during the spin cycle.	<p>Appliance is not correctly aligned.</p> <ul style="list-style-type: none"> ▶ → <i>"Aligning the appliance", Page 15</i> <hr/> <p>The appliance feet are not fixed.</p>

Issue	Cause and troubleshooting
Loud noises during the spin cycle.	<ul style="list-style-type: none"> ▶ Secure the appliance feet. → <i>"Aligning the appliance"</i>, Page 15 <hr/> <p>Transit bolts have not been removed.</p> <ul style="list-style-type: none"> ▶ → <i>"Removing the transit bolts"</i>, Page 13.
Banging noises, rattling in the drain pump.	<p>Foreign bodies have got into the drain pump.</p> <ul style="list-style-type: none"> ▶ → <i>"Cleaning the drain pump"</i>, Page 27.
Slurping, rhythmical suction noise.	<p>The drain pump is active, the detergent solution is pumped out.</p> <ul style="list-style-type: none"> ▶ Not a fault – normal operating noise.
Creasing.	<p>The spin speed is too high.</p> <ul style="list-style-type: none"> ▶ The next time you run a wash cycle, set a lower spin speed. <hr/> <p>The load is too large.</p> <ul style="list-style-type: none"> ▶ The next time you run a wash cycle, reduce the amount of laundry being loaded. <hr/> <p>Unsuitable program for the type of fabric.</p> <ul style="list-style-type: none"> ▶ Select the programs that are suitable for the type of fabric.
Detergent or fabric softener drips off the seal and collects on the door or in the seal fold.	<p>Too much detergent/fabric softener in the detergent drawer.</p> <ul style="list-style-type: none"> ▶ When dosing liquid detergent and fabric softener, observe the marking in the detergent drawer and do not dose above this.
The spin result is not satisfactory. The laundry is too wet/too damp.	<p>A low spin speed is selected.</p> <ul style="list-style-type: none"> ▶ The next time you run a wash cycle, set a higher spin speed. ▶ Start the Rinse/Spin program. <hr/> <p>Drain pipe or water outlet hose is blocked.</p> <ul style="list-style-type: none"> ▶ Clean the drain pipe and the water outlet hose. <hr/> <p>Drain pipe or water outlet hose is kinked or trapped.</p> <ul style="list-style-type: none"> ▶ Ensure that the drain pipe and water outlet hose are not kinked or trapped. <hr/> <p>The unbalanced load detection system has interrupted the spin cycle because the laundry is unevenly distributed.</p> <ul style="list-style-type: none"> ▶ Redistribute the laundry in the drum. <p>Note: Where possible, mix large and small items in the drum. Laundry items of different size distribute themselves better during the spin cycle.</p> <ul style="list-style-type: none"> ▶ Start the Rinse/Spin program. <hr/> <p>Unbalance load detection system is using a reduced spin speed to eliminate an unbalance.</p> <ul style="list-style-type: none"> ▶ Redistribute the laundry in the drum. <p>Note: Where possible, mix large and small items in the drum. Laundry items of different size distribute themselves better during the spin cycle.</p> <ul style="list-style-type: none"> ▶ Start the Rinse/Spin program.
Detergent residue on the damp washing.	<p>Detergents may contain water-insoluble substances that deposit on the laundry.</p> <ul style="list-style-type: none"> ▶ Start the Rinse/Spin program.
Detergent residue on the dry laundry.	<p>Detergents may contain water-insoluble substances that deposit on the laundry.</p> <ul style="list-style-type: none"> ▶ Brush out the laundry after washing and drying.
Water is leaking out at the water inlet hose.	<p>Water inlet hose is not correctly/securely connected.</p> <ol style="list-style-type: none"> 1. Connect the water inlet hose correctly. → <i>"Connecting the water inlet hoses"</i>, Page 14 2. Tighten the screw connection.
Water is leaking out at the water outlet hose.	<p>The water outlet hose is damaged.</p> <ul style="list-style-type: none"> ▶ Replace the damaged water outlet hose. <hr/> <p>water outlet hose is not connected correctly.</p> <ul style="list-style-type: none"> ▶ Connect the water outlet hose correctly. → <i>"Water outlet connection types"</i>, Page 14
Odors have formed in the appliance.	<p>Humidity and detergent residue may promote the formation of bacteria.</p> <ul style="list-style-type: none"> ▶ → <i>"Cleaning the drum"</i>, Page 26 ▶ If you are not using the appliance, leave the door and detergent drawer open so that residual water can evaporate.

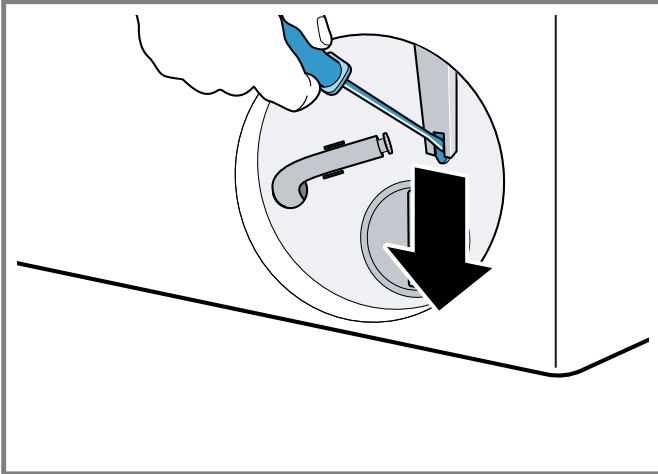
17.1 Emergency release

Releasing the door

Requirement: The drain pump is empty.

1. **NOTICE:** Escaping water may cause material damage.
 - ▶ Do not open the door if you can see water through the glass.

Pull the emergency release downwards with a tool and release.



- ✓ The door lock is released.
2. Insert the service flap and lock it into place.
3. Close the service flap.

18 Transportation, storage and disposal

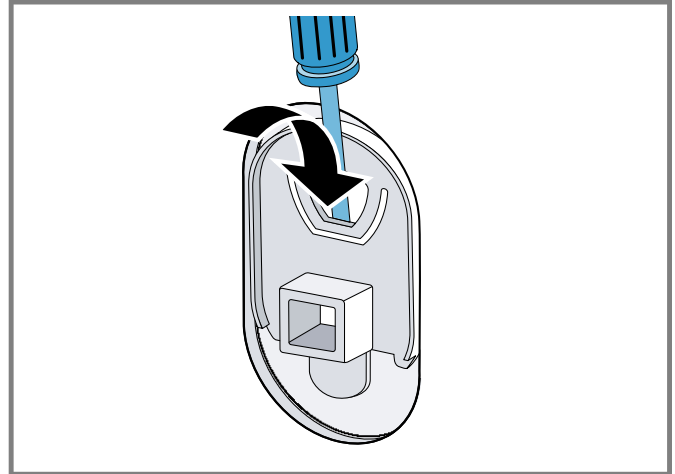
18.1 Removing the appliance

1. Turn off the faucet.
2. Empty the water inlet hose.
3. Switch off the appliance.
 - "Switching off the appliance", Page 25
4. Unplug the appliance's mains plug.
5. Drain the water.
6. Detach the hoses.

18.2 Inserting the transit bolts

Secure the appliance before transportation using transit bolts in order to prevent transport damage.

1. Use a screwdriver to remove the 4 cover caps.



Keep the cover caps.

2. Insert the 4 transit bolts.
 - "Removing the transit bolts", Page 13

18.3 Using the appliance again

- ▶ For further information, see and
 - "Starting an empty washing cycle", Page 17.

18.4 Disposal of your old appliance

Environmentally compatible disposal allows valuable raw materials to be recycled.

⚠ WARNING

Children can lock themselves in the appliance, thereby putting their lives at risk.

- ▶ Do not install the appliance behind a door as this may obstruct the appliance door or prevent it from opening.
- ▶ In the case of end-of-life appliances, pull out the power plug of the power cord, then cut through the power cord and irreparably damage the lock on the appliance door so as to prevent the door from closing again.

1. Unplug the appliance from the power supply.
2. Cut through the power cord.
3. Dispose of the appliance in an environmentally responsible manner.

Information about current disposal methods can be obtained from your specialist dealer or local authority.

19 Customer Service

With any warranty repair, we will make sure your appliance is repaired by an authorized service provider using genuine replacement parts. We use only genuine replacement parts for all repairs.

Detailed information on the warranty period and terms of warranty can be found in the Statement of Limited Product Warranty, from your retailer, or on our website.

If you contact the Customer Service, you will need the model number (E-Nr.) and the production number (FD) of your appliance.

USA:

1-800-944-2904

www.bosch-home.com/us/owner-support/get-support

www.bosch-home.com/us/shop

CA:

1-800-944-2904

www.bosch-home.ca/en/service/get-support

www.bosch-home.ca/en/service/cleaners-and-accessories

19.1 Model number (E-Nr.) and production number (FD)

You can find the model number (E-Nr.) and the production number (FD) on the appliance's rating plate.

Depending on the model, the rating plate can be found:

- on the inside of the door.
- on the inside of the service flap.
- on the backside of the appliance.

Making a note of your appliance's details and the Customer Service telephone number will enable you to find them again quickly.

20 Technical specifications

Appliance height	33.3 in. 84.8 cm
Appliance width	23.6 in. 59.8 cm
Appliance depth	23.3 in. 59.0 cm
Appliance depth with door closed	24.3 in. 63.2 cm
Appliance depth with door open	42.5 in. 106.3 cm
Weight	156.8 lbs. 71.1 kg
Maximum load	19.9 lbs. 9.0 kg
Mains voltage	208-240 V, 60 Hz
⇌ Minimum installation protection	10 5 A
Power rating	2300 W
Water pressure	<ul style="list-style-type: none"> ■ Minimum: 1 bar (100 kPa) ■ Maximum: 10 bar (1000 kPa)
Length of the water inlet hose	47.0 in. 119.4 cm
Length of the water outlet hose	57.0 in. 144.8 cm
Length of the power cord	69.0 in. 180 cm

21 Statement of Limited Product Warranty

Please observe the following information regarding the limited product warranty.

21.1 What this Warranty Covers & Who it Applies to

The limited warranty provided by BSH Home Appliances ("Bosch") in this Statement of Limited Product Warranty applies only to the Bosch appliance sold to you ("Product"), provided that the Product was purchased:

- For your normal, household (non-commercial) use, and has in fact at all times only been used for normal household purposes.
- New at retail (not a display, "as is", or previously returned model), and not for resale, or commercial use.
- Within the United States or Canada and has at all times remained within the country of original purchase. The warranties stated herein apply to the original purchaser of the Product warranted herein and to each succeeding owner of the Product purchased for ordinary home use during the term of the warranty. Please make sure to return your completed registration card; while not necessary to effectuate warranty coverage, it is the best way for Bosch to notify you in the unlikely event of a safety notice or product recall.

21.2 Limitation for Third Party Accessories and Water Supply Hoses

Third party accessories, including water supply hoses other than those shipped with your Bosch appliance, and any consequential damages resulting therefrom, are not covered by this warranty. This limitation expressly includes the implied warranties of merchantability and fitness for a particular purpose, which are also expressly excluded with respect to third party accessories, including water supply hoses other than those shipped with your Bosch appliance. Use of third party accessories, including water supply hoses other than those shipped with your Bosch appliance, does not void this warranty on any other part, and all other provisions of this warranty remain in effect.

21.3 How Long the Warranty Lasts

Bosch warrants that the Product is free from defects in materials and workmanship for a period of three hundred sixty-five (365) days from the date of the original purchase. The foregoing timeline begins to run upon the date of the original purchase, and shall not be stalled, tolled, extended, or suspended, for any reason whatsoever. This Product is also warranted to be free from cosmetic defects in material and workmanship (such as scratches of stainless steel, paint/porcelain blemishes, chip, dents, or other damage to the finish) of the Product, for a period of thirty (30) days from the date of purchase or closing date for new construction. This cosmetic warranty excludes slight color variations due to inherent differences in painted and porcelain parts, as well as differences caused by lighting,

product location, or other similar factors. This cosmetic warranty specifically excludes any display, floor, "As Is", or "B" stock appliances.

21.4 Scope of Extended Limited Warranty

Bosch will repair or replace, free of charge, any printed circuit boards, drive motor or component part of the drive motor that proves defective under conditions of normal home use during the first seven hundred thirty (730) days from the date of the original purchase, labor charges excluded.

21.5 Repair/Replace as Your Exclusive Remedy

During this warranty period, Bosch or one of its authorized service providers will repair your Product without charge to you (subject to certain limitations stated herein) if your Product proves to have been manufactured with a defect in materials or workmanship. If reasonable attempts to repair the Product have been made without success, then Bosch will replace your Product (upgraded models may be available to you, at Bosch's sole discretion, for an additional charge). Nothing in this warranty requires damaged or defective parts to be replaced with parts of a different type or design than the original part. All removed parts and components shall become the property of Bosch at its sole discretion. All replaced and/or repaired parts shall assume the identity of the original part for purposes of this warranty and this warranty shall not be extended with respect to such parts. Bosch's sole liability and responsibility hereunder is to repair manufacturer-defective Product only, using a Bosch authorized service provider during normal business hours. For safety and property damage concerns, Bosch highly recommends that you do not attempt to repair the Product yourself, or use a non-authorized service provider; Bosch will have no responsibility or liability for repairs or work performed by a non-authorized service provider. Authorized service providers are those persons or companies that have been specially trained on Bosch products, and who possess, in Bosch's opinion, a superior reputation for customer service and technical ability (note that they are independent entities and are not agents, partners, affiliates or representatives of Bosch). Notwithstanding the foregoing, Bosch will not incur any liability, or have responsibility, for the Product if it is located in a remote area (more than 100 miles from an authorized service provider) or is reasonably inaccessible, hazardous, threatening, or treacherous locale, surroundings, or environment; in any such event, if you request, Bosch would still pay for labor and parts and ship the parts to the nearest authorized service provider, but you would still be fully

liable and responsible for any travel time or other special charges by the service company, assuming they agree to make the service call.

21.6 Out of Warranty Product

Bosch is under no obligation, at law or otherwise, to provide you with any concessions, including repairs, prorates, or Product replacement, once this warranty has expired.

21.7 Warranty Exclusions

The warranty coverage described herein excludes all defects or damage that are not the direct fault of Bosch, including without limitation, one or more of the following:

- Use of the Product in anything other than its normal, customary and intended manner (including without limitation, any form of commercial use, use or storage of an indoor product outdoors, use of the Product in conjunction with air or water-going vessels).
- Any party's willful misconduct, negligence, misuse, abuse, accidents, neglect, improper operation, failure to maintain, improper or negligent installation, tampering, failure to follow operating instructions, mishandling, unauthorized service (including self-performed "fixing" or exploration of the appliance's internal workings).
- Adjustment, alteration or modification of any kind.
- A failure to comply with any applicable state, local, city, or county electrical, plumbing and/or building codes, regulations, or laws, including failure to install the product in strict conformity with local fire and building codes and regulations.
- Ordinary wear and tear, spills of food, liquid, grease accumulations, or other substances that accumulate on, in, or around the Product.
- Any external, elemental and/or environmental forces and factors, including without limitation, rain, wind, sand, floods, fires, mud slides, freezing temperatures, excessive moisture or extended exposure to humidity, lightning, power surges, structural failures surrounding the appliance, and acts of God.
- Service calls to correct the installation of your Product, to instruct you how to use your Product, to replace house fuses or correct house wiring or plumbing.
- Removal and replacement of trim or decorative panels that interfere with servicing the Product.
- Damage or defects caused by labor or parts installed by any non-authorized service provider, unless approved by Bosch before service is performed.

In no event shall Bosch have any liability or responsibility whatsoever for damage to surrounding property, including cabinetry, floors, ceilings, and other structures or objects around the Product. Also excluded from this warranty are Products on which the serial numbers have been altered, defaced, or removed; service visits to teach you how to use the Product, or visits where there is nothing wrong with the Product; correction of installation problems (you are solely responsible for any structure and setting for the Product, including all electrical, plumbing or other connecting facilities, for proper foundation/flooring, and for any alterations including without limitation cabinetry, walls, floors, shelving, etc.); and resetting of breakers or fuses. TO THE EXTENT ALLOWED BY LAW, THIS WARRANTY SETS OUT YOUR EXCLUSIVE REMEDIES WITH RESPECT TO PRODUCT, WHETHER THE CLAIM ARISES IN CONTRACT OR TORT (INCLUDING STRICT LIABILITY, OR NEGLIGENCE) OR OTHERWISE. THIS WARRANTY IS IN LIEU OF ALL OTHER WARRANTIES,

WHETHER EXPRESS OR IMPLIED. ANY WARRANTY IMPLIED BY LAW, WHETHER FOR MERCHANTABILITY OR FITNESS FOR A PARTICULAR PURPOSE, OR OTHERWISE, SHALL BE EFFECTIVE ONLY FOR THE PERIOD THAT THIS EXPRESS LIMITED WARRANTY IS EFFECTIVE. IN NO EVENT WILL THE MANUFACTURER BE LIABLE FOR CONSEQUENTIAL, SPECIAL, INCIDENTAL, INDIRECT, "BUSINESS LOSS", AND/OR PUNITIVE DAMAGES, LOSSES, OR EXPENSES, INCLUDING WITHOUT LIMITATION TIME AWAY FROM WORK, HOTELS AND/OR RESTAURANT MEALS, REMODELING EXPENSES IN EXCESS OF DIRECT DAMAGES WHICH ARE DEFINITELY CAUSED EXCLUSIVELY BY BOSCH, OR OTHERWISE. SOME STATES DO NOT ALLOW THE EXCLUSIONS OR LIMITATIONS OF INCIDENTAL OR CONSEQUENTIAL DAMAGES, AND SOME STATES DO NOT ALLOW LIMITATIONS ON HOW LONG AN IMPLIED WARRANTY LASTS, SO THE ABOVE EXCLUSIONS OR LIMITATIONS MAY NOT APPLY TO YOU. THIS WARRANTY GIVES YOU SPECIFIC LEGAL RIGHTS, AND YOU MAY ALSO HAVE OTHER RIGHTS WHICH VARY FROM STATE TO STATE.

No attempt to alter, modify or amend this warranty shall be effective unless authorized in writing by an officer of BSH.

21.8 How to Obtain Warranty Service

To obtain warranty service for your product, you should contact Bosch customer support at 1-800-944-2904 to schedule a repair.



Thank you for buying a Bosch Home Appliance!

Register your new device on MyBosch now and profit directly from:

- **Expert tips & tricks for your appliance**
- **Warranty extension options**
- **Discounts for accessories & spare-parts**
- **Digital manual and all appliance data at hand**
- **Easy access to Bosch Home Appliances Service**

Free and easy registration – also on mobile phones:
www.bosch-home.com/welcome

BOSCH
HOME APPLIANCES
SERVICE

Looking for help? You'll find it here.

Expert advice for your Bosch home appliances, help with problems or a repair from Bosch experts.

Find out everything about the many ways Bosch can support you:

www.bosch-home.com/service

Contact data of all countries are listed in the attached service directory.

BSH Home Appliances Corporation

1901 Main Street, Suite 600

Irvine, CA 92614

USA

www.bosch-home.com

1-800-944-2904

© 2022 BSH Home Appliances Corporation



9001682710 (021107)

en-us

en-us Use and Care Manual, Installation Instructions

Dryer
WTG86403UC



Welcome to Your New Dryer!

Congratulations on your selection of a new Bosch dryer for your laundry needs. We are confident you will enjoy the superior performance and reliability.

Please do not hesitate to contact our Customer Service department if you have any questions or comments about your new dryer.

Thank you for choosing Bosch.

Visit our website at www.bosch-home.com/us (USA) or www.bosch-home.ca (Canada) for more information and to view a selection of our products.

Table of contents

Important information	4	Drying tips	27
Purchase information	4	Program selection table	28
Customer service	4	Default Program and Option settings	29
Your dryer is intended for	5	Dry Level	29
Safety Definitions	5	Time dry	29
IMPORTANT SAFETY INSTRUCTIONS	6	Finish in	29
Introduction to your new dryer	8	Additional Program Option settings	29
Standard features and helpful information	8	Wrinkle Block	29
Special features	8	Low Heat	29
Environmentally friendly use of your dryer	8	Spin speed	29
Dimensions and clearances required	9	USER-MAINTENANCE INSTRUCTIONS	30
Installation for best performance	9	Cleaning the Dryer's exterior	30
Appliance dimensions	9	Cleaning the lint filter area	30
Length of power cord and drain hose	9	Cleaning the lint filter	30
Minimum clearances	10	Cleaning the Condenser	32
INSTALLATION INSTRUCTIONS	12	Cleaning the moisture sensors	33
Introduction	12	Maintenance of drain hose	33
Before installing the dryer	12	Replacing fuses in the Power Adapter - step-by-step	33
Waste disposal	13	Troubleshooting	34
Parts provided with your dryer	13	Introduction	34
Accessories for your appliance	14	General Troubleshooting	34
Installation - step by step and check list	14	STATEMENT OF LIMITED PRODUCT WARRANTY ..	37
Electrical Connections	16	Bosch Clothes Dryer	37
Leveling the dryer	18		
Check heating system	18		
Preparing to transport the dryer - step by step	18		
Getting to know your appliance	19		
Control panel	19		
Display area	20		
OPERATING INSTRUCTIONS	21		
Your new dryer	21		
Before using the dryer for the first time	22		
Temporary disconnection of the dryer	22		
Using program selector to choose a drying cycle	22		
Program selection	23		
Selecting program settings and additional options	23		
Loading the laundry	24		
Starting the program	24		
Indicator of program sequence	25		
Childproof lock	25		
Selecting a different program	25		
Cancel program	25		
Program end	25		
Removing laundry/switching the appliance off	25		
Signal	26		
Laundry	27		
Preparing the laundry	27		
Sorting the laundry	27		

Additional information on products, accessories, replacement parts and services can be found at **www.bosch-home.com/us (USA) or www.bosch-home.ca (Canada)** and in the online shop **www.bosch-home.com/us/store**

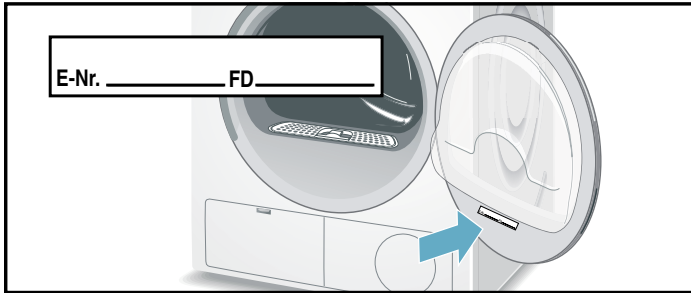
Questions?
1-800-944-2904
www.bosch-home.com/us (USA)
or
www.bosch-home.ca (Canada)
1901 Main Street, Suite 600
Irvine, CA 92614
We look forward to hearing from you!

Important information

Purchase information

Please take a moment to record the following basic information about the purchase of your new Bosch® dryer.

This information will be helpful in the event you need to contact Customer Service or would like to order accessories or replacement parts for your dryer.



The **E-Nr.** (model number) and the **FD** (serial) number can be found on the rating plate label (shown above) or in the Home Connect application under Appliance Information.

The model number includes the slash and a two digit number (eg: "/01"). Please be sure to include the final 2 digit number when filling in your model number. This helps make sure any parts you may need are correctly matched to your specific machine.

Date of Purchase: ___/___/___

Where Purchased: _____

E-Nr. : _____ / ____ (ex: WTG86xxxUC/01)

FD : _____ - _____ (ex: FD 9708|90007, provides production date)

The manufacturer reserves the right to make changes in the product or manual without notification.

Customer service

Your dryer does not require any special care other than the maintenance and care mentioned in this manual. If you have a problem with your dryer, please consult the Troubleshooting section of this manual.

→ *Troubleshooting; Page 34*

If problems persist and service is necessary, please contact our customer service department.

Do not attempt to repair the appliance yourself.

Bosch Customer Service

1-800-944-2904

Or by mail

BSH Home Appliances Corporation

1901 Main Street, Suite 600

Irvine, CA 92614

When writing or calling please have the following information available:

- E-Nr. (model number, example: WTG86xxxUC/01)
- FD (serial number, example: 9708|90007)
- Date of Original Purchase (receipt may be required)
- Date Problem Occurred
- Explanation of Problem

If writing, please also include a daytime telephone number and a copy of the sales invoice.

When calling Customer Service, please be ready to provide the model number **E-Nr.** and **FD** number. This information will help provide the best support for your dryer.

Additional information is available at our website:

www.bosch-home.com/us (USA) or www.bosch-home.ca (Canada).

Your dryer is intended for

- Only household use and in a non-commercial environment.
 - Drying textiles washed in a residential style clothes washer.
 - Operating conditions:
Recommended ambient temperatures:
59-86°F / 15-30°C.
Min/Max allowable temperatures: 41-95°F / 5-35°C.
Relative humidity: under 95%
 - Installation by qualified installers.
 - Installation in accordance with all regulatory requirements; if in doubt have the appliance installed by a specialist familiar with these requirements.
- Before using the appliance, read the use and installation instructions and all other information included with the appliance and act accordingly.
Keep all documents for future use.

Safety Definitions

Important safety information is contained in this manual and on the warning labels located on your dryer.

Standard symbols and headings are used to identify areas where you should take precautions to avoid injury or property damage. Please take a moment to become familiar with each of these symbols and what they mean before proceeding.

WARNING

This indicates that death or serious injuries may occur as a result of non-observance of this warning.

CAUTION

This indicates that minor or moderate injuries may occur as a result of non-observance of this warning.

NOTICE: This indicates that damage to the appliance or property may occur as a result of non-observance of this warning.

Tip: This symbol is used to draw the user's attention to important matters.

IMPORTANT SAFETY INSTRUCTIONS

READ AND SAVE THESE INSTRUCTIONS

WARNING

When properly cared for, your new appliance has been designed to be safe and reliable. Read all instructions before using the appliance. These precautions will reduce the risk of burns, electric shock, fire, and injury to persons. When using laundry appliances, basic safety precautions must be followed, including those in the following pages.

Examine the appliance after unpacking it. In the event of transport damage, do not plug it in.

WARNING

TO REDUCE THE RISK OF FIRE, ELECTRIC SHOCK, SERIOUS INJURY OR DEATH TO PERSONS WHEN USING YOUR DRYER, FOLLOW BASIC PRECAUTIONS INCLUDING THE FOLLOWING

- Bosch dryers are provided with a Use and Care Manual with Installation Instructions. Read and understand all instructions before using the dryer.
- Do not dry articles that have been previously cleaned, washed, soaked, or spotted with gasoline, dry cleaning solvents, other flammable or explosive substances as they give off vapors that could ignite or explode.
- Before the appliance is removed from service or discarded, remove the door (to the drying compartment) to prevent children from playing or hiding inside. Also remove the power cord/plug.
- Do not allow anyone to climb, lean or hang on any part of the dryer including any protruding components such as the appliance door or a pullout shelf.
- Do not reach into the appliance if the drum is moving.
- Do not tamper with the controls.
- Do not repair or replace any part of the appliance or attempt any servicing unless specifically recommended in the user maintenance instructions or in published user-repair instructions that you understand and have the skills to carry out.
- Do not use replacement parts that have not been recommended by the manufacturer (e.g. parts made by using a 3D printer).
- Do not use fabric softeners or products to eliminate static unless recommended by the manufacturer of the fabric softener or product.
- Always unplug the dryer from the power supply before attempting any service. Disconnect the power cord by grasping the plug, not the cord.
- To reduce the risk of fire, clothes, cleaning rags, mop heads and the like which have traces of any flammable substance, such as vegetable oil, cooking oil, petroleum based oils or distillates, waxes, fats, etc., must not be placed in the dryer. These items may contain some flammable substance(s) even after washing, which may smoke or catch fire by itself.

- Do not place items exposed to cooking oils in your dryer. Items contaminated with cooking oils may contribute to a chemical reaction that could cause a load to catch fire.
 - Do not use heat to dry articles containing foam rubber (may be labeled latex foam) or similarly textured rubber-like materials or equivalent. Foam rubber materials can ignite by spontaneous combustion.
 - Keep flammable materials and vapors, such as gasoline, away from the dryer.
 - Clean lint filter before or after each load.
 - Do not install or store this appliance where it will be exposed to the weather. Hoses and internal parts may be damaged if exposed to freezing temperatures.
 - Do not use the dryer if it has a worn power cord or loose plug.
 - The dryer must only be used for its intended purpose.
 - Always follow the fabric care instructions recommended by the clothing manufacturer.
 - Do not operate the dryer if parts are missing or broken.
 - Do not sit on top of the dryer.
 - To reduce the risk of fire or electrical shock, DO NOT use an extension cord to connect the dryer to the electrical power supply.
 - Always check pockets and remove any objects. Cigarette lighters are particularly hazardous.
 - Do not operate the dryer if any guards and/or panels have been removed.
 - Do not bypass any safety devices.
 - Do not operate this dryer until you are sure that:
 - All services connected to the dryer (power, drain, etc.) have been installed according to the Installation Instructions.
 - Installation and grounding are in compliance with all local regulations and/or other applicable regulations and requirements.
 - Failure to install, maintain and/or operate the dryer according to the manufacturer's instructions may result in injury and/or damage.
 - To avoid floor damage and mold growth, do not let spills or splashout cause standing water around or under the appliance.
 - See the Installation Instructions section in this manual for grounding requirements.
→ *Electrical Connections; Page 16*
 - The IMPORTANT SAFEGUARDS and WARNINGS presented in this manual do not cover all possible conditions that may occur. Common sense, caution and care must be exercised when installing, maintaining or operating the dryer.
 - Always contact your dealer, distributor, service provider or the manufacturer about any problems or conditions that you do not understand.
 - Follow the Safety Information in the INSTALLATION INSTRUCTIONS and the OPERATING INSTRUCTIONS.
-

IMPORTANT SAFETY INSTRUCTIONS

READ AND SAVE THESE INSTRUCTIONS

WARNING

WARNINGS FOR CHILDREN AND PETS

- Do not allow children and pets to play on or in the appliance. Close supervision of children is necessary when the appliance is used near children.
 - Make sure to utilize all child lock/safety features of your appliance, and be sure to turn the appliance **Off** when not in use.
 - Appliances are not intended for use by children, however when children become old enough to operate the appliance, it is the responsibility of the parents or legal guardians to ensure they are instructed in safe practices by qualified persons.
 - Keep all laundry aids (including detergents, bleach, fabric softeners, etc.) out of the reach of children.
 - Keep pets away from the appliance.
-

WARNING

PROPOSITION 65 WARNING

This product may contain a chemical known to the State of California, which can cause cancer or reproductive harm. Therefore, the packaging of your product may bear the following label as required by California:

STATE OF CALIFORNIA PROPOSITION 65 WARNING:



Cancer and Reproductive Harm - www.P65Warnings.ca.gov

SAVE THESE INSTRUCTIONS!

Keep these instructions for future reference and in case of change of ownership, manual should be conveyed with the dryer.

Introduction to your new dryer

▲ WARNING

RISK OF FIRE, ELECTRIC SHOCK OR INJURY

To reduce the risk of fire, electric shock or injury to persons, read the IMPORTANT SAFETY INSTRUCTIONS of this manual before installing or operating this appliance.

→ *IMPORTANT SAFETY INSTRUCTIONS; Page 6*

Standard features and helpful information

Thank you for choosing Bosch for your laundry appliance needs.

Please read and follow the use and care, important safety instructions and troubleshooting information contained in this manual. Please retain this manual for future reference.

→ *Troubleshooting; Page 34*

This dryer complies with UL 2158 Electric Clothes Dryers.

Standard features

- ENERGY STAR® certified to save energy, save money and protect the climate.
- Temperatures inside the drum are lower than conventional dryers for gentle drying conditions and fabric care.
- Sensor controlled auto cycles.
- 15.4 lb (7 kg) large drum capacity (for regular cotton loads).
- Large door opening, 180° opening angle.

Quality tested

Each dryer which leaves our factory has undergone a thorough performance test and is in full working condition.

Website

Visit our website at www.bosch-home.com/us (USA) or www.bosch-home.ca (Canada) for more information and to view a selection of our products.

About this manual

These operating and installation instructions apply to more than one model of dryer. Illustrations used may show details that differ from your particular model.

Read your user manual. It contains valuable information about the safety, installation and operation of your new appliance.

This can save you time, make it easier to correctly install and use your dryer, and improve your overall satisfaction with your new appliance.

Special features

- A distinctive feature of your dryer is low energy consumption as it is ENERGY STAR certified.
- Bosch dryers feature advanced operation philosophy, customized drying programs and a solid touch and feel making them a user-friendly household assistant.
- Bosch load sensing feature controls power consumption for each cycle based on the amount and type of laundry. This automatic feature optimizes energy efficiency.

Environmentally friendly use of your dryer

Your new Bosch dryer is designed to use energy in a highly efficient way to help reduce operating costs, conserve resources and protect the environment.

To save energy, money and time, Bosch recommends the following:

- **Spin the laundry thoroughly**
Before drying, spin the laundry thoroughly in the washing machine. Use the highest possible spin speed for the type of laundry. Higher spin speeds reduce the drying time and the energy consumption.
- **Optimize load and selected drying program**
 - Use the maximum amount of laundry for the appropriate drying program.
 - Use automatic drying programs for the most energy efficient use of your dryer. They perform according to internal moisture and temperature sensors delivering optimized efficiency and fabric care.
 - Use the Time Dry program for touching up damp loads or for small loads. This program will use more energy than the automatic programs.
→ *Program selection table; Page 28*

NOTICE: The energy rating of this dryer is based on the Cotton Dry program with the Dryness Level set to +2 (all other option settings are off).

- **Clean filter**
Clean the lint filter before or after each drying process.
→ *Cleaning the lint filter; Page 30*
- **Air inlet on the dryer**
Do not cover or allow any articles/items to restrict the air inlet on the front of the dryer.
- **Energy-saving mode**
The display panel lighting goes out after a few minutes and **Start/Pause** flashes. To activate the display, touch any button.
Energy-saving mode is not activated if a program is running.

Dimensions and clearances required

Installation for best performance

⚠ CAUTION

DO NOT INSTALL THE DRYER:

- outdoors,
- in an environment with dripping water,
- near flammable materials,
- in rooms which are at risk of freezing,
- in rooms which may contain gas or other fuels,
- on carpets.

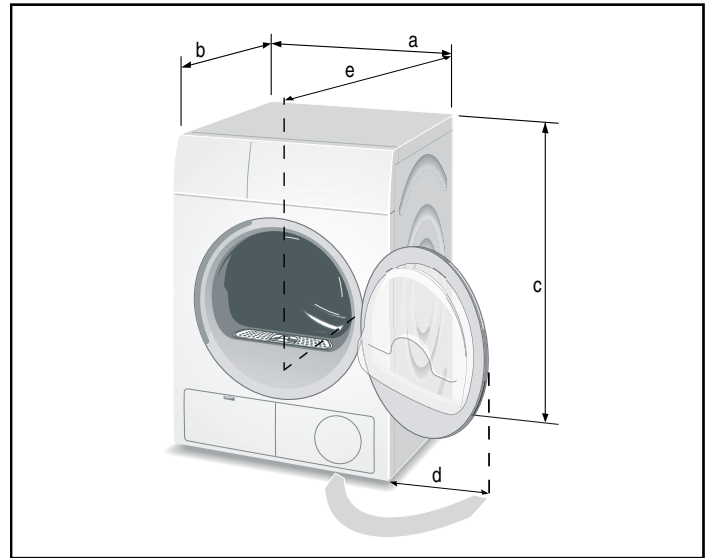
Because many variables affect drying time we recommend allowing as much free air space around your dryer as possible for the shortest drying cycle time.

NOTICE: If your dryer is located in a closet, leave the closet door open while the dryer is operating.

The recommended ambient temperatures (between 59-86°F / 15-30°C) are for optimum drying times, outside of this range drying times may be longer.

The installation surface (floor) must be level and structurally sound. Using a bubble level and the height-adjustable feet installed on the appliance, level the appliance side to side and front to back.

Appliance dimensions



Label	Dimension	U.S. Inches	Metric cm
a	Width	23.6	60
b	Depth (to front of door)	25	63.5
c	Height (minimum)	33.2	84.3
	Height (maximum)	34	86.4
d	Side clearance (door open 180°)	16	40.6
e	Depth (door open 90°)	42.9	109

Length of power cord and drain hose

	To Left*		To Right*	
	U.S. Inches	Metric cm	U.S. Inches	Metric cm
Power Cord	40	102	57	145
Drain Hose	19	48	40	102

* Facing the front of the dryer

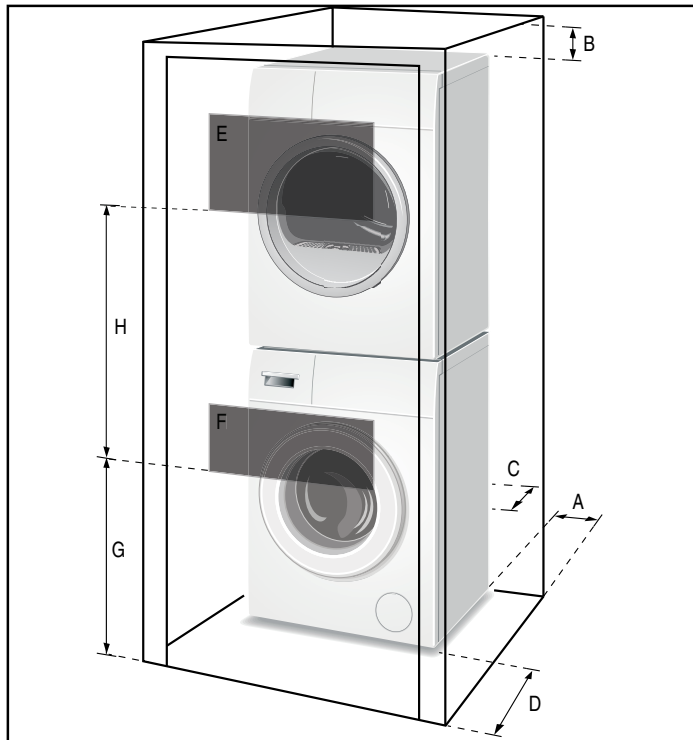
Minimum clearances

Closet: Stacked

Only with one of the Bosch required Stacking Kits (sold separately), can this Bosch Dryer be stacked on top of a Bosch Washer of the same dimensions to save space.

⚠ CAUTION

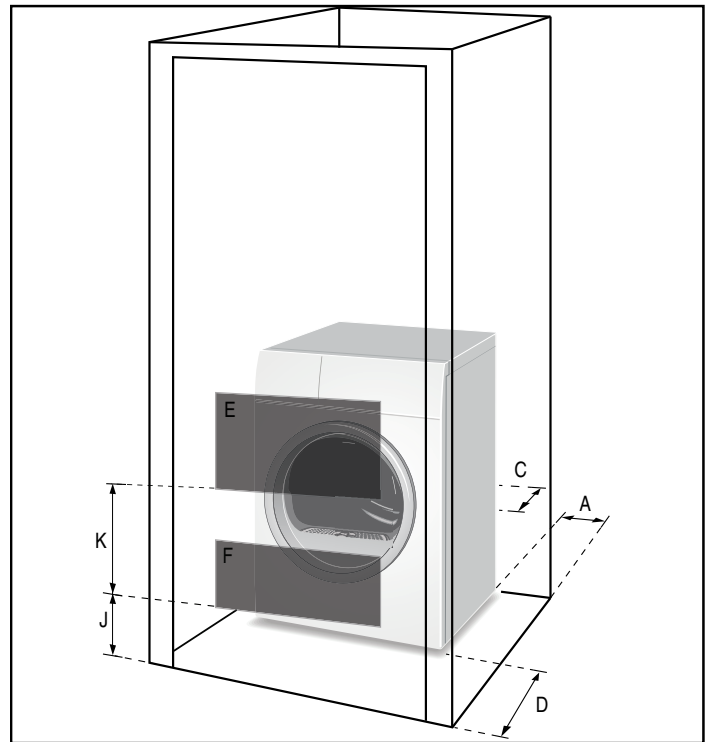
- Use only the dryer stacking kit noted in this User Manual's Accessories section.
- Do not stack washer on top of dryer.
- Do not stack washer on top of another washer.
- Ensure washer transportation bolts have been removed and washer does not vibrate excessively.



For shortest drying times keep closet door open while dryer is operating.

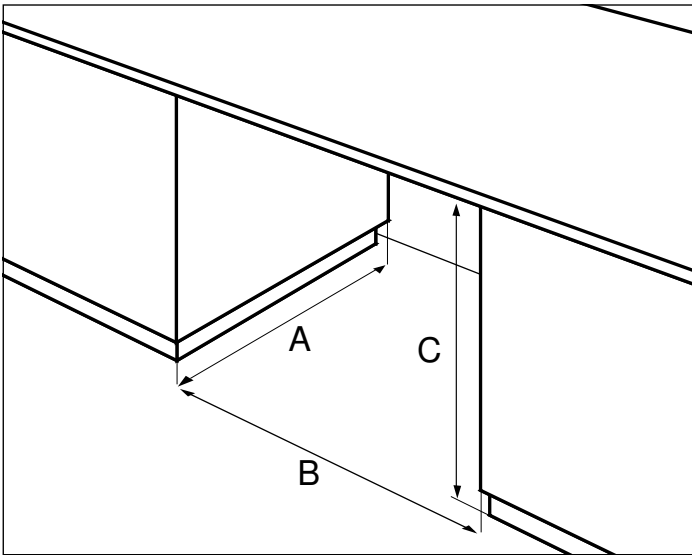
NOTICE: When closet doors are closed louvered areas only allow minimal drying results (expect long drying times).

Closet: Stand alone (shown) or Side by Side



Label	Dimension	U.S. Inches	Metric cm
A	Both Sides	0.6	1.5
B	Top	6.3	16
C	Rear	2.5	6.2
D	Front	2.4	6
E & F are minimum area size!			
E	Top Vent	63 sq.	404 sq.
F	Bottom Vent	63 sq.	404 sq.
Vent spacing is actual (not minimum dimensions)			
G		37	94
H		26	66
J		3	7.6
K		29	73.6

Under counter (Preferred)

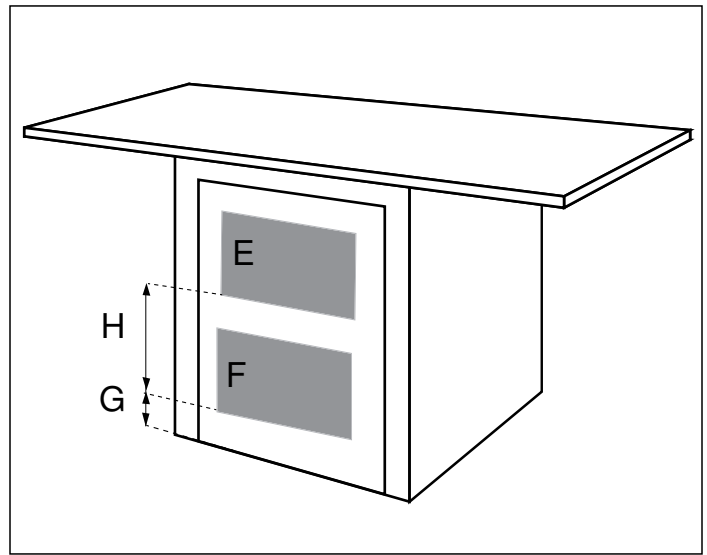


Front of the appliance fully open.
No doors or coverings.

Minimum opening dimensions

A	28 in.	71.1 cm
B	23.8 in.	60.5 cm
C	34.5 in.	87.6 cm

Under counter (Less Desirable)



If front of the appliance is covered ventilation openings must be installed.

E & F are minimum area sizes

E	63 sq.in.	404 sq. cm
F	63 sq.in.	404 sq. cm

G & H

actual spacing dimensions for min. open area sizes

G	3 in.	7.6 cm
H	14 in.	35.6 cm

INSTALLATION INSTRUCTIONS

READ AND SAVE THESE INSTRUCTIONS

Introduction

Read these installation instructions completely and carefully before starting to install your new dryer. The information contained can save you time and effort and will help to ensure optimum performance of your new dryer. Be sure to observe all warnings and cautions.

WARNING

▲ WARNING

RISK OF FIRE, ELECTRIC SHOCK OR INJURY TO PERSONS

- To reduce the risk of fire, electric shock or injury to persons, read the Important Safety Instructions at the beginning of this manual before installing or operating this appliance.
 - To reduce the risk of severe injury or death, follow all installation instruction.
 - Clothes dryer installation must be performed by a qualified installer, according to these instructions and according to all local codes.
 - In addition to the installation and safety information in this manual, the local water and electric authorities (services) may have special requirements that must be followed.
 - Install the clothes dryer according to these manufacturer's instructions and local codes.
 - Your dryer is supplied with a specific power adapter that is only to be used with the Bosch Washers and Dryers having NEMA 6-15P cords. Any other use of this power adapter is prohibited. Read and follow the Important Safety Instructions supplied with the Power Adapter.
-

▲ CAUTION

- The appliance is heavy. Do not lift it by yourself, use additional help and care when lifting and positioning.
 - If in doubt, have the appliance installed by an authorized service provider.
 - Take care to not damage the appliance. Do not hold on to protruding parts (e.g. door) when lifting. Do not push against the appliance door glass due to risk of damage.
 - Do not install the appliance outdoors or in an area exposed to freezing conditions.
 - If freezing conditions exist where appliance is located all drain water must be removed from hoses, sumps, pumps, etc.
 - Hidden surfaces may have sharp edges. During service wear gloves and use caution when reaching inside the dryer housing.
-

These installation instructions are intended for use by qualified installers. In addition to these instructions, the installation must comply with:

- for the United States - National Electrical Code, ANSI/NFPA70 - and latest editions of the state and municipal and/or local regulations.
- for Canada - Canadian Electrical Code C22.1 - and the latest editions of the provincial, municipal and/or local regulations.

Before installing the dryer

Unpacking the appliance

▲ CAUTION

Remove the appliance packaging carefully to prevent damage to the surfaces.

After removing the packaging, immediately remove all objects from the drum.

Check the dryer for transportation damage. Do not connect the utilities (power or drain) to a dryer which is visibly damaged. If in doubt, contact your dealer.

Waste disposal

Disposal of Packaging Materials

After unpacking your new appliance dispose of the protective packaging materials in an environmentally friendly way. Ask your dealer or inquire with your local authority regarding currently acceptable means of disposal.

▲ WARNING

WARNINGS FOR CHILDREN

Do not let children play with packaging and associated parts to avoid risk of choking or suffocation.

Disposal of Your Old Appliance

Your old appliance can be recycled if it is no longer to be used. Prior to disposing of your old appliance observe the following precautions to reduce safety risks.

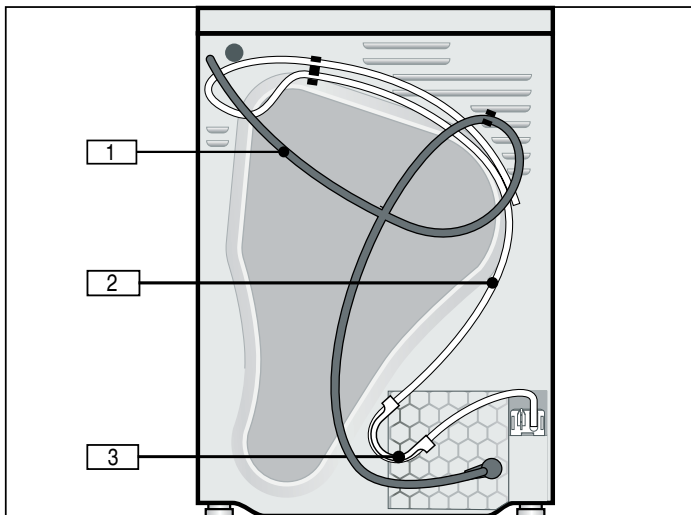
▲ WARNING

TO AVOID RISK OF INJURY OR DEATH, DO THE FOLLOWING

- After unplugging the old appliance, remove the electric power cord and dispose of properly.
- Remove the door or permanently disable the door lock to prevent children from being locked inside.

Parts provided with your dryer

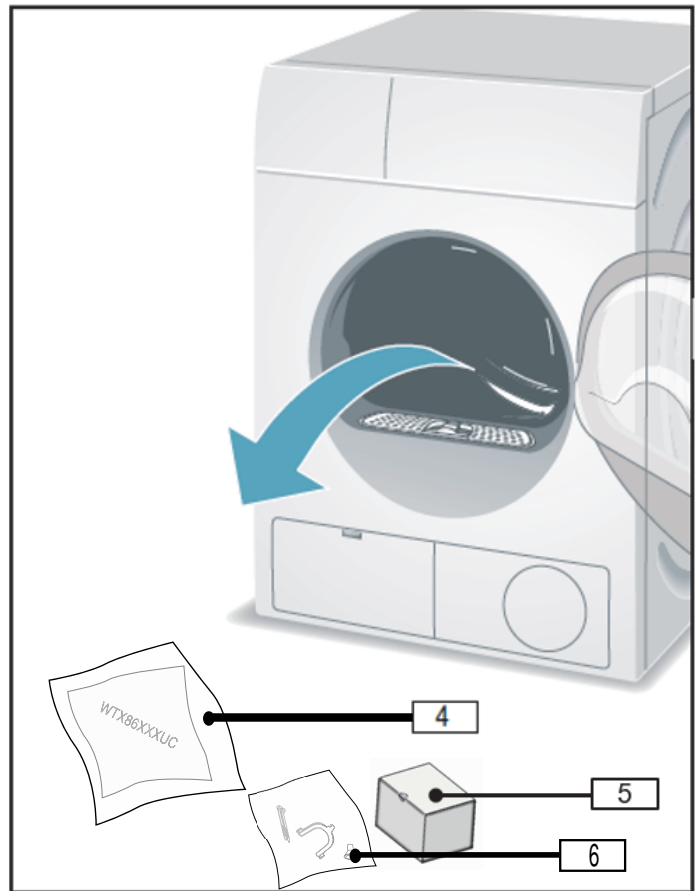
Back side of the dryer



- 1 Power cord with plug
- 2 Drain hose connected to the dryer
- 3 Elbow to form the hose to fit the drain

Dryer drum contents

A literature pack is shipped in the dryer drum. Be sure to remove this item before using the dryer.



- 4 User Manual and Product Registration
- 5 Power Adapter:
 - Supplied Power Adapter
 - 2 spare fuses
 - Instruction sheet
- 6 Drain Set Pack:
 - (2) plastic ties for securing drain hose
 - Plastic elbow
 - Plastic connector for alternate drain connections (see hose installation instructions).
 - Summary of drain hose installation instructions

▲ WARNING

RISK OF FIRE, ELECTRIC SHOCK OR INJURY TO PERSONS

- The supplied Power Adapter is intended to be used only for powering the Bosch Washers and Dryers having NEMA 6-15P cords. This Power Adapter is unique as it allows for both the Dryer and Washer to plug into the home's existing 4-prong dryer receptacle. If the home has an existing 3-prong dryer receptacle it and its complete branch circuit must be changed to a 4-prong circuit.
 - Use only Bosch replacement fuses in the Power Adapter (Customer Service part number 10013781).
 - If any parts are missing please notify your dealer immediately.
-

Tip: For correct adapter installation see → *Electrical Connections; Page 16*

Accessories for your appliance

Drying rack

A drying rack placed inside the dryer for drying wool items, shoes, etc. is available.

Drying rack item number: **WMZ20600**

Pedestal

The dryer can be mounted on a Bosch pedestal, noted below, for easier loading and unloading (see washing machine user manual for unique pedestal model number for the washer).

Pedestal item number: **WMZ20500 or replacement WTZPW20D**

Stacking kits

The dryer can be stacked on a Bosch washer of the same dimensions to save space. Only the below Stacking kits must be used when stacking this dryer on a Bosch washer.

Stacking kit without a shelf: **WTZ20410UC**

Stacking kit with a shelf: **WTZ11400UC**

Power Adapter

The Power Adapter is for plugging into home's existing 4-prong receptacle and has two power outlets, one each for your current Bosch Dryer and Washer to plug into.

Power Adapter item number: **WTZPA20UC**

Tip: Your Bosch dryer comes with the Power Adapter included in the drum. The accessory number is given here only if it is lost or damaged and a replacement is needed.

Accessories can be purchased from Customer Service or your local dealer.

→ *Customer service; Page 4*

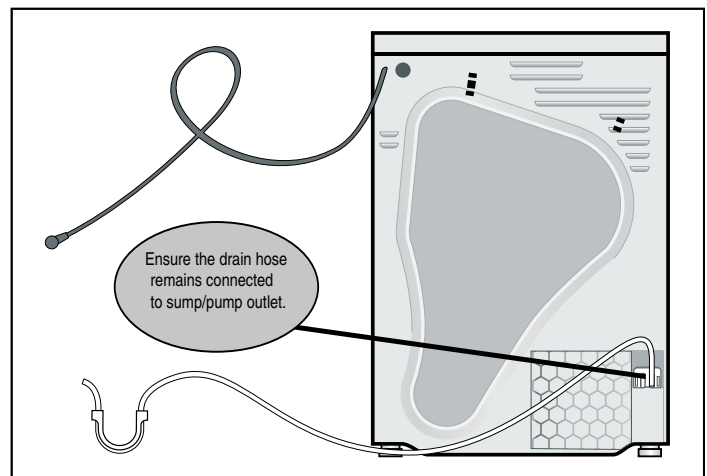
Installation - step by step and check list

Review the following list and check off each step as it is completed during installation, if necessary.

1. Unpack the dryer.
 2. Remove all objects from the dryer drum.
 3. Check the dryer for visible damage.
 4. Position the dryer near the installation location.
 5. Disconnect the power cord and drain hose from their clips on the back of the dryer.
-

▲ CAUTION

Do not disconnect the drain hose from the sump/pump connection at the bottom of the dryer.



NOTICE: Do not reuse an old or different drain hose. Only use the drain hose included with the dryer.

6. Connect the outlet end of the drain hose to a standpipe or other drain inlet. Examples are shown below.
-

▲ CAUTION

APPLIANCE DAMAGE COULD OCCUR IF DRAIN WATER FLOWS BACK INTO THE APPLIANCE

In all drain conditions, scenarios, or connections you must ensure:

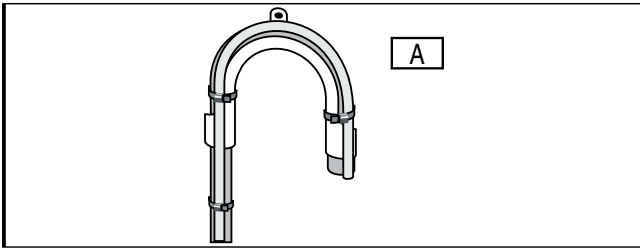
- The drain water from the hose is free flowing and not obstructed allowing adequate water flow.
 - Drain opening must not be sealed in any way. It must be open to avoid a back siphon condition.
 - The end of the drain hose does not protrude into the pumped out or standing water.
 - Be sure to follow all local codes and regulations in draining the condensate water to a suitable drain.
-

Examples of connections:

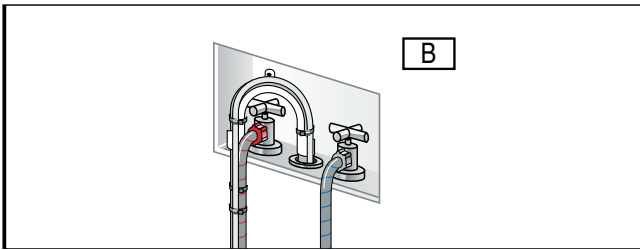
- Plumbing box or Standpipe connection:
For most plumbing box installations (with adjacent washer) the plastic elbow supplied with the dryer will not be used and must be removed from the dryer drain hose.
1. Fasten the dryer drain hose to the washer drain/elbow as shown in picture "A". Secure with plastic ties supplied.

⚠ CAUTION

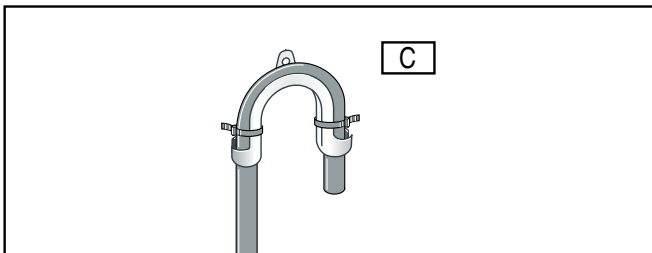
Do not over tighten plastic ties pinching or causing a restriction in the drain hose.



2. Place drain hose assembly into standpipe as shown in picture "B".

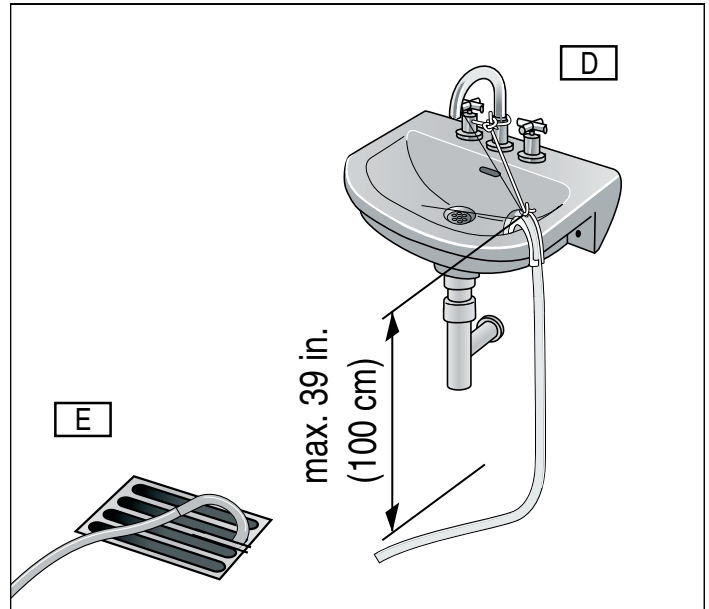


- Sink/Basin or Floor drain:
If using the elbow supplied on the hose re-position elbow closer to the drain end of hose and fasten with the plastic ties as shown in picture "C".



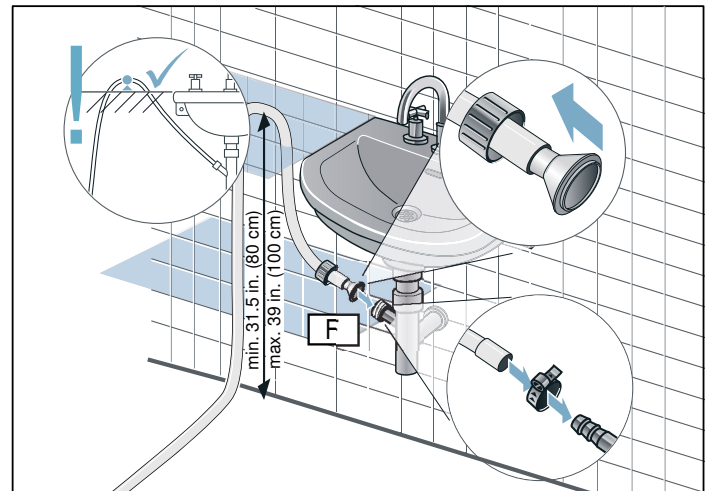
Secure hose and/or elbow as shown below. Sink "D" or floor "E".

NOTICE: Examples shown are for reference only. Not all fittings, connectors, nuts, brackets, ties, etc. are supplied to accommodate every application.



Maximum height of drain is 39 in. (100 cm).

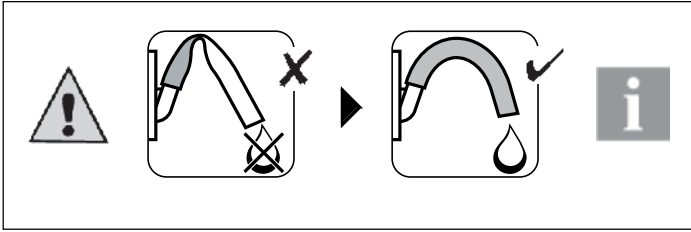
- Sink Drain Pipe:
Attach and secure drain hose as shown below in picture "F".
Use a standard hose clamp which can be purchased from your local hardware store.



Minimum height of drain for installation shown above is 31.5 in. (80 cm). Maximum height of drain is 39 in. (100 cm).

NOTICES

- Examples shown are for reference only. Not all fittings, connectors, nuts, brackets, ties, etc. are supplied to accommodate every application.
- Ensure there are no kinks or crimps along the entire length of hose.



- If installed in an upper floor of a multi-story building, the dryer should be installed on a drained floor to prevent water damage to lower floors in the event of a leak.

Electrical Connections

Power Cord

The attached power cord is a standard NEMA 6-15P cord and is UL approved and listed in the USA and Canada. It meets the following requirements:

- 208-240 volt rated;
- 15 amps.

NOTICES

- This appliance is restricted to being powered by the supplied power cord noted above.
 - There are two allowable methods to connect the appliance cord to power:
1. If the home has an existing 4-prong, 30A Dryer receptacle use the supplied Power Adapter. Plug the adapter into the 4-prong receptacle (Line side) and then plug the Bosch Dryer and Washer power cords into the adapter (Load side). See following images of Power Adapter for Line/Load side locations and appliance cord placement.

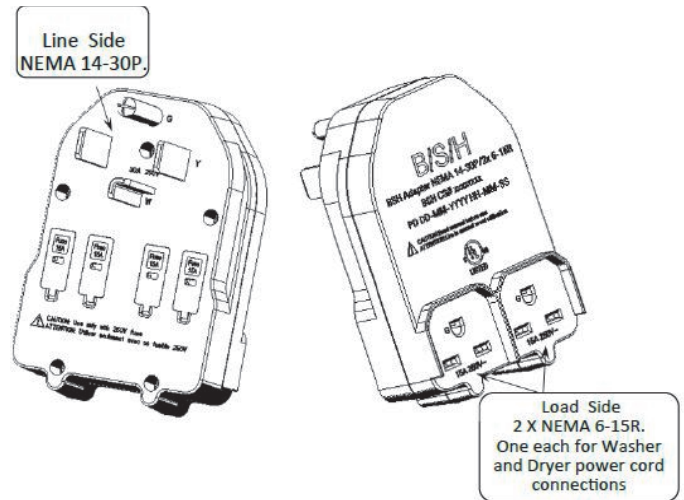
NOTICE:

This adapter can only be used with a 4-prong receptacle. If the home has an existing 3-prong dryer receptacle it and its complete branch circuit must be changed to a 4-prong circuit.

2. Use an existing individual 240V, 15A minimum branch circuit having a NEMA 6-15R outlet (or choose to have one installed).

WARNING

TO REDUCE RISK OF FIRE OR ELECTRIC SHOCK. Do not reuse this Power Adapter with a new purchase of a Dryer. The old Power Adapter must be discarded with the old Dryer. A new Power Adapter must be used when a new Dryer is installed.



ALL ELECTRICAL CONNECTIONS AND CIRCUITS

⚠ WARNING

ELECTRIC SHOCK HAZARD

- Do not pull on the power cord to unplug the dryer.
 - Protect the power cord from physical damage such as being twisted, kinked, pinched, or walked on.
 - DO NOT use an extension cord to connect the dryer to the power supply.
 - Make sure:
 - The power cord fits into the outlet/receptacle.
 - The home's internal power supply circuit wire size is sufficient and electrically grounded.
 - Do not cut, remove or bypass the grounding prong on the power cord end.
 - Do not modify the plug provided with the appliance; if it will not fit the outlet, have a proper outlet installed by a qualified electrician.
 - The power cord must only be replaced by a qualified service provider or licensed electrician to help avoid a fire/electric shock hazard.
Use only manufacturer recommended replacement power cords purchased through our Customer Service department.
 - Do not use NEMA 14-30P (4-prong) nor 10-30P (3-prong) power cords on this appliance.
 - Do not reuse old power cord.
 - Do not make a sharp bend or crimp wiring or conductors at connections.
-

⚠ WARNING

ELECTRIC SHOCK HAZARD

To reduce the risk of electrical shock:

- Only pull out the power cord by the plug end and never by the cord, as this could damage it.
 - Never touch or hold the plug end or power cord with wet hands.
 - Never unplug the plug end during operation.
-

⚠ WARNING

ELECTRIC SHOCK HAZARD

Improper connection of the equipment-grounding conductor can result in a risk of electric shock. Check with a qualified electrician or servicer if you are in doubt as to whether the appliance has been properly grounded.

GROUNDING INSTRUCTIONS


⚠ WARNING

ELECTRIC SHOCK HAZARD

This appliance must be electrically grounded. In the event of malfunction or breakdown, grounding will reduce the risk of electric shock by providing a path of least resistance for electric current.

This appliance is equipped with a cord that has an equipment grounding conductor and a grounding plug.

The plug must be plugged into an appropriate outlet that is properly installed and grounded in accordance with all local codes and ordinances.

If a ground fault circuit breaker is used, ensure it has this symbol: .

Only this symbol can assure compliance with all current regulations.

SAVE THESE INSTRUCTIONS!

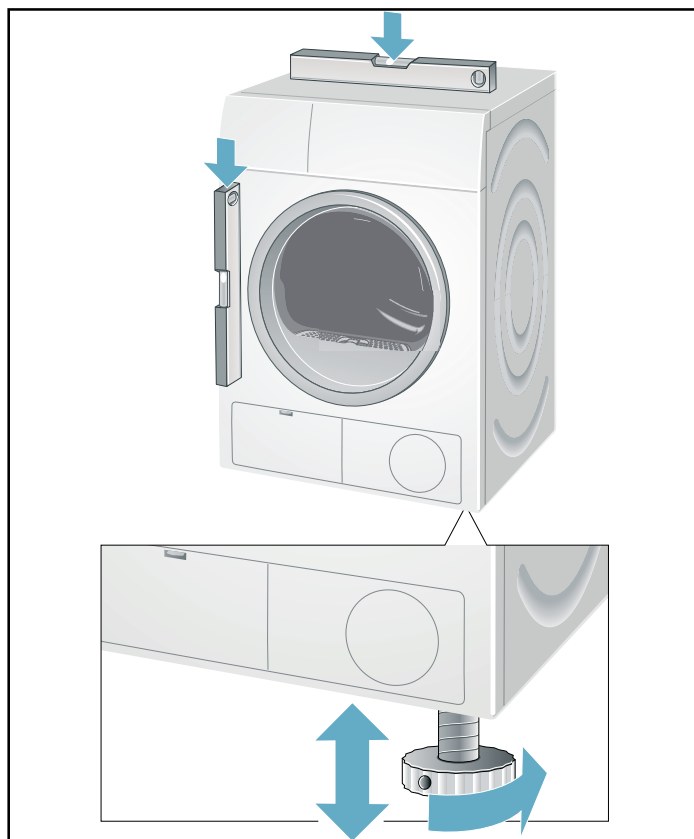
Leveling the dryer

Importance of leveling the dryer

It is important that your dryer is level and that all four dryer feet press with equal pressure against the floor. This will help assure the quietest, most vibration-free use of your dryer.

To adjust the dryer feet:

1. Install the dryer on a level and solid surface, preferably in a corner of a room.
2. If the floor is uneven (or not level) adjust the dryer feet as required to level the dryer. Do not place anything under the dryer feet to help level the dryer.
3. Extend the dryer feet no more than is necessary. The more the feet are extended, the more vibration the dryer will experience. Start with the dryer feet turned all the way in and adjust each foot as necessary.
4. Use a bubble level to check the top of the dryer to make sure it is level side to side and front to rear.
5. Press down on each corner of the dryer top to make sure the dryer does not "wobble". There should be no "give" or movement. All four dryer feet should press equally against the floor. This is just as important as the dryer being level to prevent vibration.



Check heating system

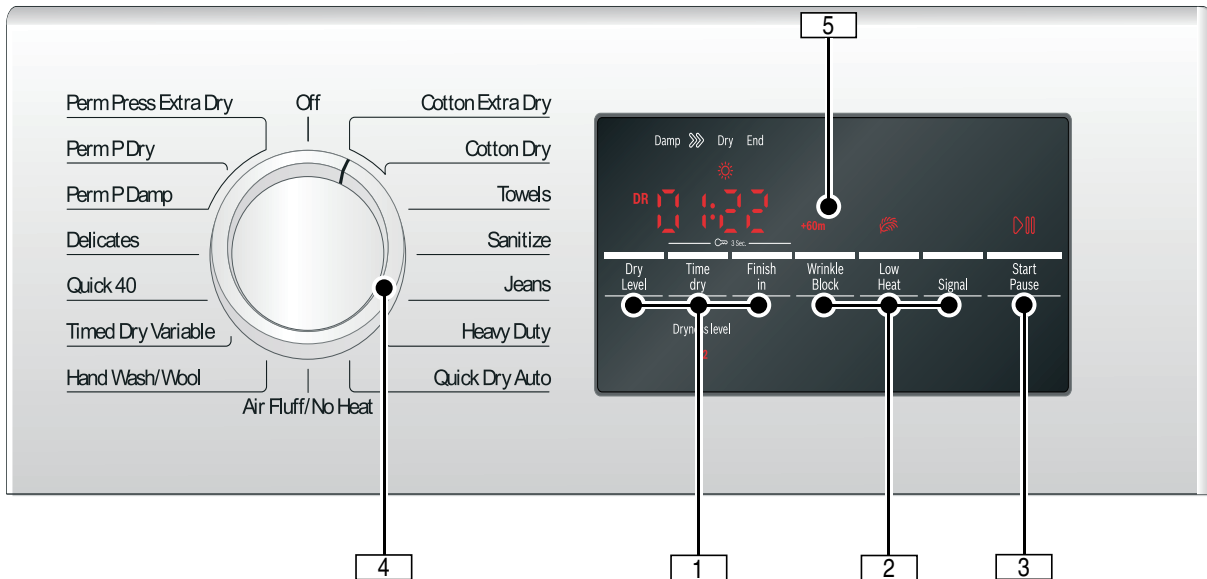
1. Check that the drum is empty.
2. Close the dryer door.
3. Switch the dryer to **Timed Dry Variable** program and then touch the **Start/Pause** button.
4. After 5-6 minutes touch the **Start/Pause** button and open the door.
 - If the interior of the dryer feels warm, the dryer has been connected properly. Switch the dryer to **Off**.
 - If the dryer does not work, switch the dryer to **Off**. Look in the Troubleshooting section of this user manual for hints in solving the problem.

Preparing to transport the dryer - step by step

1. Rotate the program selector to **Off**.
2. Pull out power supply plug.
3. Place any accessories in the drum.
4. Close the door and secure with adhesive tape.
5. Screw the height-adjustable feet of the dryer into the housing to prevent them from being damaged during transportation.

Getting to know your appliance

Control panel



1 Dry Level, Time Dry, Finish in

Selectable Option Settings for customizing Programs as desired.

Indicator Symbol lights or desired time is displayed if setting is active. → *Default Program and Option settings; Page 29*

4 Program Selector

Selecting a program and switching on/off; turns in both directions.

2 Wrinkle Block, Low Heat, Signal

Additional option settings.

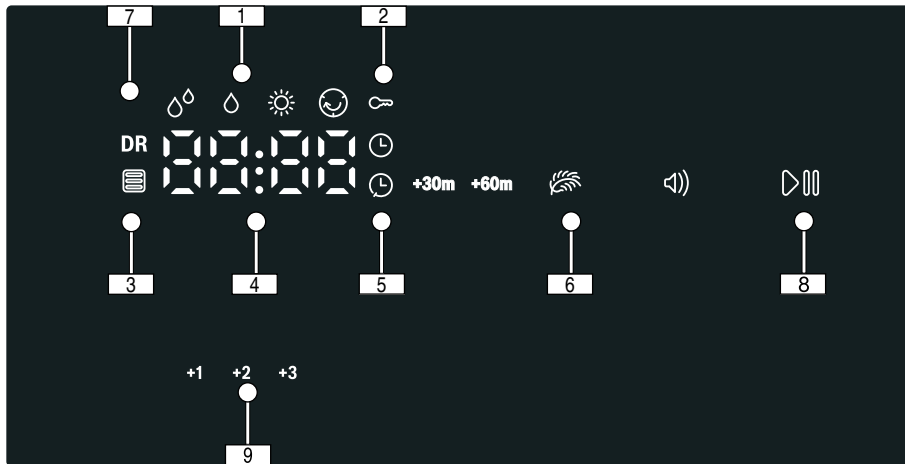
Indicator Symbol lights if setting is active. → *Additional Program Option settings; Page 29*

5 Display area for settings and information.

3 Start/Pause

- starts or pauses the selected cycle;
- indicator lamp on (steady) - cycle running, can be paused;
- indicator lamp blinking - options can be changed; cycle can be started; door is closed; cycle is in Pause mode.

Display area



1 Drying cycle status sequence

2 Childproof lock indicator

3 Cleaning required indicator

4 4 Digit Display:

- Finish in time adjustable in 1h (h=hour) steps to 24h
- program duration 2:30

5 Time Dry ☰ and Finish in ⏸ indicators

6 Indicator lamps for additional option settings: Wrinkle Block, Low Heat and Signal

7 Check drain indicator

8 Start/Pause indicator

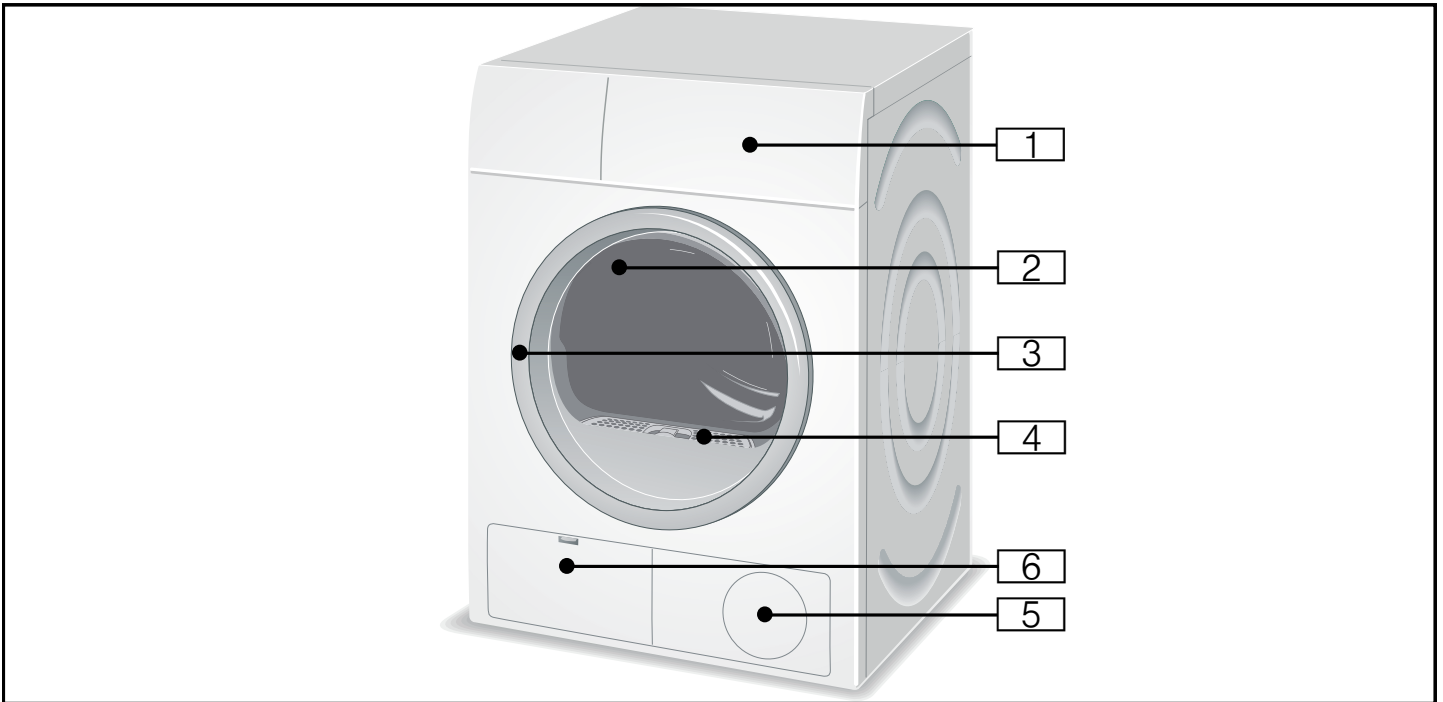
9 Dry Level indicator

OPERATING INSTRUCTIONS

▲ WARNING

RISK OF FIRE, ELECTRIC SHOCK, OR INJURY
To reduce the risk of fire, electric shock, or injury to persons, read the IMPORTANT SAFETY INSTRUCTIONS and OPERATING INSTRUCTIONS before operating this appliance.

Your new dryer



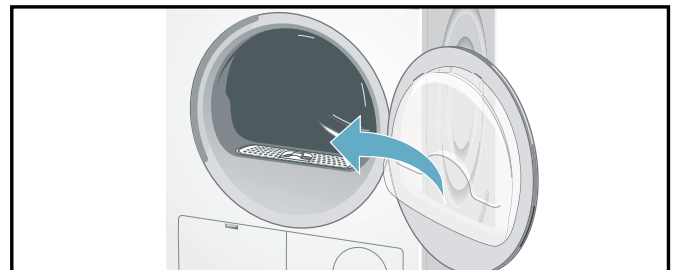
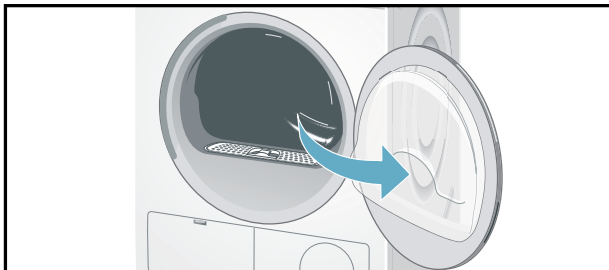
1 Control panel, display area, program selector

2 Drum with interior light (depending on model)

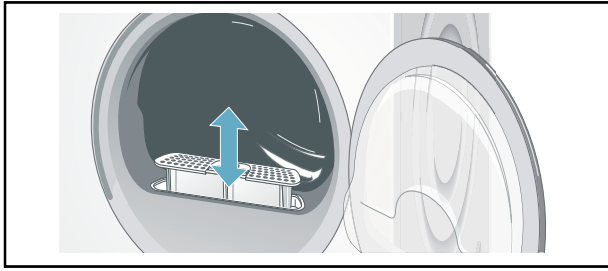
The interior light activates after the door is opened and after the program starts, it switches off automatically.

3 Open the door

Close the door

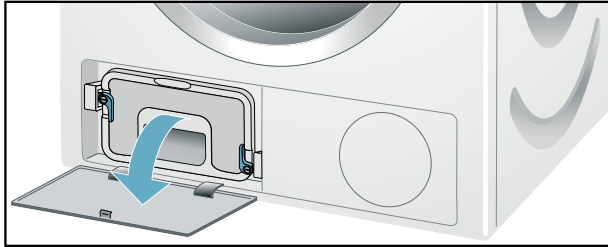


4 Lint filter

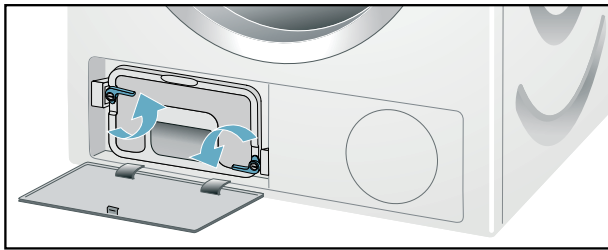


5 Air inlet

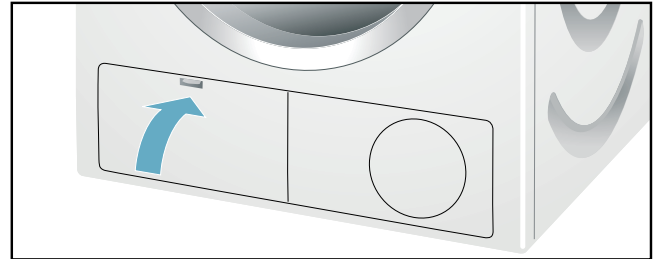
6 Open the maintenance flap



Condenser



Close the maintenance flap



⚠ WARNING

BEFORE USING YOUR DRYER

Read and follow all installation and operating instructions.

Check the machine. Never connect the utilities (power or water) to or start a damaged machine! Contact Customer Service!

→ *Customer service; Page 4*

Check to be sure the dryer drain hose is installed properly.

Turning the dryer on and off

The rotating Program Selector turns the dryer on as drying cycle is selected and off when the selector is later turned to the vertical **Off** position.

Before using the dryer for the first time

1. Read these operating instructions carefully.
2. Check that the supply voltage corresponds with the voltage specifications on the rating plate on the dryer, see top rear side of the dryer and/or rating plate label inside the dryer door.
→ *Electrical Connections; Page 16*
3. Remove all objects from the drum.

4. Check the dryer for visible damage. If damage found contact your dealer.
5. Wipe the inside of the drum with a damp cloth.
6. Check heating system.
→ *Check heating system; Page 18*
7. If the dryer does not work, switch the dryer to **Off**. Look in the Troubleshooting section of the operating instructions for support.
→ *Troubleshooting; Page 34*

Temporary disconnection of the dryer

If you intend to go on vacation or are not using your dryer for an extended period of time, you should:

1. Turn off the circuit breaker.
2. Pull out the power supply plug if possible.
3. Clean the lint filter.

Using program selector to choose a drying cycle

NOTICE: If the Child lock is activated, you must deactivate it before you can select a program.
→ *Childproof lock; Page 25*

Use the program selector to select the desired drying program. The dial turns in both directions and when a cycle is selected its time duration appears in the display.

Program selection

For optimum drying results your dryer offers several different types of programs to choose from.

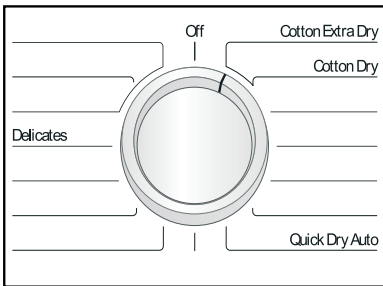
Select the required drying program from the program table according to the examples. → *Program selection table; Page 28*

Automatic programs

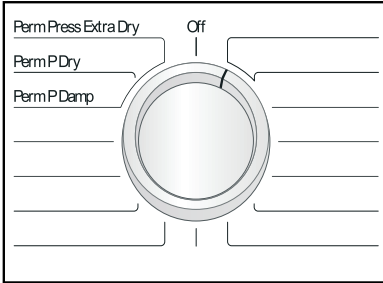
There are automatic programs for different types of textiles (regular/cotton, permanent press).

The program sequence of automatic programs is controlled by sensors. The duration of the program depends on the measured degree of moisture in the laundry and on the selected degree of dryness (e.g. Cotton Dry or Cotton Extra Dry).

- Regular/Cotton



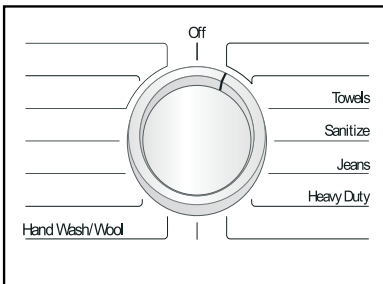
- Permanent Press



Special programs

The programs Sanitize, Jeans, Towels, Hand Wash/Wool and Heavy Duty (depending on model) are made for special type fabric loads.

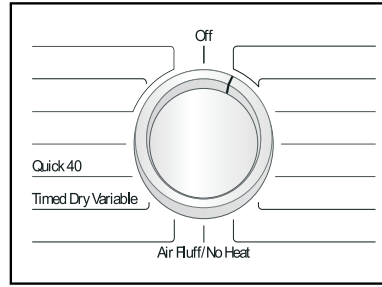
→ *Program selection table; Page 28*



Time programs

Time programs run at specific temperatures and are suitable for delicate items, individual or a few small items and for adding additional drying time if necessary.

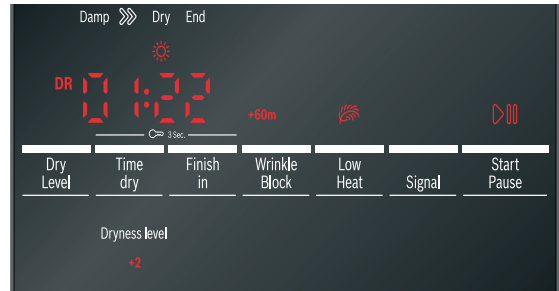
→ *Default Program and Option settings; Page 29*



Selecting program settings and additional options

By selecting program settings and additional options, you can adjust the drying process to better suit the items you are drying.

The settings can be selected and deselected depending on the cycle progress.



The indicator lamps of the buttons light up if the setting is active.

For **Time Dry**, **Finish in**, **Wrinkle Block**, **Low Heat** and **Signal** the settings are not retained after the appliance is switched off.

→ *Default Program and Option settings; Page 29*

→ *Additional Program Option settings; Page 29*

For **Dry Level** the setting is retained after the appliance is switched off.

→ *Dry Level; Page 29*

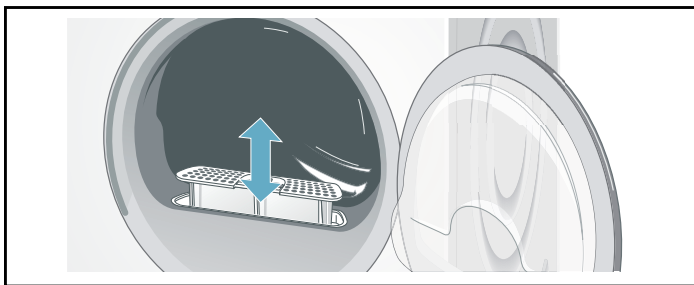
Loading the laundry

▲ WARNING

RISK OF EXPLOSION

Do not dry laundry that has ever been in contact with solvents, oil, wax, grease or paint (e.g. nail varnish remover, stain remover, cleaning solvent, etc.).

1. Check lint filter.

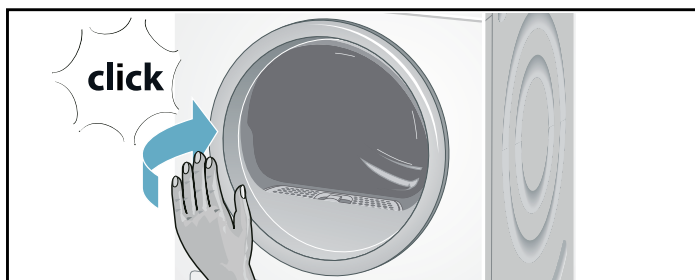


The filter should be cleaned after or before every drying process. Cleaning the filter reduces the drying time and saves energy.

→ *Cleaning the lint filter; Page 30*

2. Load the laundry into the drum and close the door.

Tip: If the door has not been closed properly, the dryer will not start.



Tips

After loading, close the door carefully so as not to trap any items between the door and the rubber seal. The door should close until a click is heard.

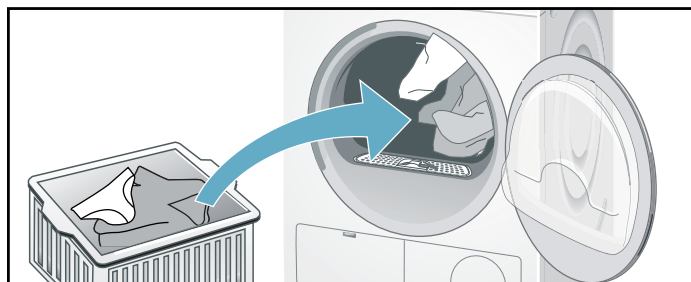
Foreign objects left in the drum may damage laundry. Before inserting any laundry, check to make sure no foreign objects are in the drum.

Recommended Load Size

Recommended maximum load size can be found in the program selection table in this manual.

→ *Program selection table; Page 28*

Load the laundry



Place laundry in the empty drum. Put each piece of laundry into machine separately.

For best results the laundry should be sorted according to type of laundry and desired degree of drying.

→ *Sorting the laundry; Page 27*

→ *Program selection table; Page 28*

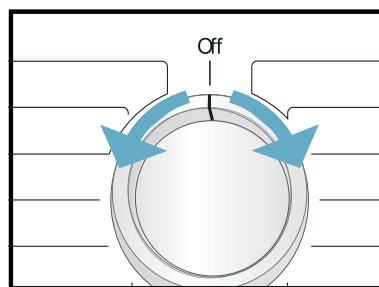
→ *Dry Level; Page 29*

Starting the program

1. Rotate program selector to the desired program.

Select the program which corresponds to the laundry in the dryer from Program selection table.

→ *Program selection table; Page 28*




The **Start/Pause** indicator light starts flashing.

2. Touch the **Start/Pause** button. Indicator lamp lights up and the cycle starts.



During the cycle, the display area indicates the estimated remaining time and symbols showing the cycle progress are lit. → *Display area; Page 20*


NOTICES

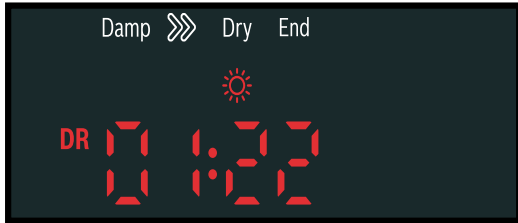
- If you want to protect the cycle against inadvertent adjustment, select the **Childproof lock**.
→ *Childproof lock; Page 25*
- If  indicator lights up, clean the lint filter and/or Condenser.
→ *Cleaning the lint filter; Page 30*
→ *Cleaning the Condenser; Page 32*
- If **DR** indicator lights up, check the drain hose and its connection.
→ *Cleaning the Condenser; Page 32*

3. If required, select **Low Heat** by pressing the button.
→ *Additional Program Option settings; Page 29*
4. If required, select **Wrinkle Block** by pressing the button.
→ *Additional Program Option settings; Page 29*

Tip: The estimated remaining time will be updated.


Indicator of program sequence

Bosch dryers use an advanced control system which continually monitors the laundry's remaining moisture. The current state of the process and status of the program is shown by indicator lights (Damp, , Dry, End).



Childproof lock

You can secure the dryer against inadvertent changing of the set functions. To do this, activate the childproof lock after cycle start.

To **Activate/Deactivate**, touch Time dry and Finish in buttons at the same time for 3 seconds. In the display field, you will see the  symbol light indicating the childproof lock is active.

NOTICE: The childproof lock will remain activated until the next cycle start even after switching the machine off. You must deactivate the childproof lock before the next cycle and, if necessary, activate it again after starting the cycle.

Selecting a different program

If you have inadvertently started the wrong program, you can change this as follows:

1. Touch **Start/Pause**.
2. Select another program.
3. Touch **Start/Pause**. The new drying cycle starts from the beginning.

Cancel program

If required, you can cancel the selected program:

1. Touch **Start/Pause**.
2. Rotate the program selector to **Off**.

Program end



End appears in the display area and the Start/Pause button indicator lamp is off.

After the program end, rotate the program selector to **Off**.

Removing laundry/switching the appliance off

1. Open the door and remove the laundry.
2. Turn the program selector to the **Off** position.
Appliance is switched off and dryer light goes out.
3. Clean lint filter.
→ *Cleaning the lint filter; Page 30*
4. Close the door.

Tip: If the display panel switches off and the Start/Pause button indicator is blinking at the end of a program, the Energy-saving mode is active. To activate the display, press any button.

→ *Environmentally friendly use of your dryer; Page 8*

Signal

For switching the buzzer on and off touch the **Signal** button.

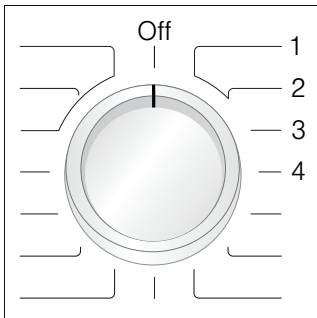
The buzzer indicates program end if it is activated.
Other alarms are not influenced by this option.

You can also change the following settings:

- volume for buzzer
- volume for button signals

To change these settings always activate adjustment mode first.

Activate adjustment mode



1. Select **Cotton Extra Dry** on position 1.
The appliance is on.
2. Hold down **Start/Pause** and turn the program selector to the right (position 3). Release **Start/Pause** button.
Adjustment mode is now activated and the default volume for buzzer appears in the display.

Changing the volume

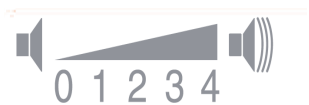
You can set the volume by touching the **Time dry** (volume down) or **Finish in** (volume up) button with the program selector in the following positions:

- Position 3 for buzzer volume



0 = off, 1 = soft, 2 = mid, 3 = loud, 4 = very loud

- Position 4 for button signals volume



0 = off, 1 = soft, 2 = mid, 3 = loud, 4 = very loud

Quit adjustment mode

Turn the program selector to **Off** position. The settings were saved.

Laundry

Preparing the laundry

NOTICE: Damage to the appliance/fabrics.

Foreign objects (e.g. coins, paper-clips, needles, nails) may damage the laundry or components in the dryer.

Therefore, note the following tips when preparing your laundry:

- Empty all pockets to ensure no loose debris (coins, keys, other hard objects and cigarette lighters) are placed in the dryer drum.
- Close any fasteners (such as zippers, hooks and eyelets) that could cause laundry to catch or become entangled. Button up covers. Tie cloth belts, apron strings, etc. together or use a laundry bag.
- Remove any foreign objects or non-washable parts.
- The drum must be empty prior to loading textiles.

Sorting the laundry

Check the care labels on each laundry item prior to drying. They provide valuable information as well as limitations about laundry process (temperature etc.) to help you choose an appropriate cycle.

Do not dry the following textiles in the dryer:

- air-tight textiles (e.g. rubberized),
- delicate fabrics (silk, synthetic curtains).

Drying tips

- To ensure a uniform drying result, sort the laundry according to fabric type and drying program.
- Always dry very small items (such as socks and handkerchiefs) and underwired bras together with large items of laundry or in a laundry bag.
- Do not over-dry easy-care laundry - risk of wrinkling! Allow laundry to finish drying in the air.
- Do not iron laundry immediately after drying. Place the laundry in a pile for a short while. Residual moisture will then be distributed uniformly.
- Knitted fabrics (e.g. T-shirts, jerseys) often shrink when tumble-dried for the first time. Do not use the **Extra Dry** program.
- Only dry wool fabrics with the use of drying rack accessory. To refresh or fluff up wool articles use the **Hand Wash/Wool** program and remove load from dryer and layout on flat surface to finish drying.
- For pre-dried, multi-layered fabrics or small, individual items of laundry, use the **Time** program. Also suitable for adding additional drying time if necessary.
→ *Program selection; Page 23*
→ *Program selection table; Page 28*
- Some detergents and textile care products, starch or softeners may contain chemicals that may become deposited on the moisture sensors negatively affecting their function and the drying results.
 - When washing laundry to be tumble-dried, use the correct amount of detergent and textile care products as specified in the manufacturer's instructions.
 - Clean the moisture sensor regularly.
→ *Cleaning the moisture sensors; Page 33*

Program selection table

Programs	Max. load up to:	Type of laundry
Standard programs		
Cotton Dry	full load	Normal cotton and linen type load (bed linen, cotton clothes, etc.)
Cotton Extra Dry	full load	Terry bathrobes and terry bed linen (particularly thick or multi-ply)
Perm P Damp	1/2 load	Trousers, dresses, skirts, shirts, blouses, leggings, sports clothing with synthetic-rich fibers, lingerie (not to be or only lightly ironed)
Perm P Dry	1/2 load	Shirts, blouses, sports clothing (not to be ironed)
Perm Press Extra Dry	1/2 load	Bed linen and table linen, track suits, parkas, blankets (not to be ironed, thick or multi-ply)
Delicates	1/4 load	Lingerie made of synthetic fibers, cotton or blended fabric
Quick 40™	1/3 load	Multi-layered fabrics. Sensitive fabrics made of synthetic or acrylic fibers. Also for adding additional drying time if necessary
Timed Dry Variable	1/3 load	Multi-layered fabrics. Sensitive fabrics made of synthetic or acrylic fibers. Also for adding additional drying time if necessary.
Hand Wash/Wool	1/3 load	Wool fabrics suitable for washing or delicate hand washed items. Use to freshen or fluff up wool articles. Remove items after program end and spread out on flat surface to finish drying. Use of Drying rack is recommended → <i>Drying rack; Page 14</i>
Air Fluff/No Heat	1/3 load	All types of fabrics. For freshening up or airing out of garments that have been worn for a short period of time.
Quick Dry Auto	1/4 load	Laundry made of synthetic fibers, cotton or blended fabrics (for example) that needs to be dried quickly
Special programs		
Towels	1/3 load	Mix of cotton and synthetic textiles that do not require sensitive temperatures and treatments.
Sanitize	1/2 load	Cotton fabrics for drying at high temperatures.
Jeans	1/2 load	Fabrics made from jeans/denim.
Heavy Duty	full load	Terry towels, kitchen towels, hand towels, bed linen, underwear, cotton socks

Tip: For best results it is recommended to load the amount of textiles into the drum according to the fabric type and amount shown in the above table.

Default Program and Option settings

At the factory initial settings are pre-set for all cycles. You can change some program settings as follows.

Dry Level

This option adjusts the drying time in small steps for certain programs.

Default setting = OFF (no LED Symbol shown)

Selectable values: OFF, +1, +2, +3

The **Dry Level** is retained until changed.

NOTICE: The higher the number value the increased time of drying.

Time Dry

Available only for Time programs,

→ *Program selection table; Page 28*

can be selected from minimum 20 minutes to maximum 3 hours, in 10-minute steps.

Additional Program Option settings

Wrinkle Block

If the **Wrinkle Block** option is activated it prevents the laundry from creasing or wrinkling. The drum rotates at specific intervals after the drying process allowing the load to remain loose and fluffy until removed.

If the **Wrinkle Block** button is touched, this function is set to 60 (+60m) or 90 (+90m) minutes.

Finish in

The program end (Finish in) time can be set in one hour increments to a maximum of 24 h (hours).

After selecting the desired drying program (at the dial) but before touching the Start button, touch the **Finish in** button until the desired time is displayed, e.g. 8 h, then touch the Start button to start the dryer.

NOTICE: The cycle duration is included in the set Finish in time.

Here is an example of 1hr:30min cycle time and an 8 h Finish in time. 8 h is displayed (until Energy-saving mode activates) and counts down (approximately 6hr:30min) until the drying cycle begins (at 1hr:30min) then the cycle duration 1:30 is displayed and drying begins. Total time approximately 8 hours.

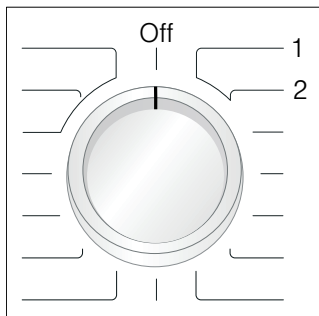
Spin speed

The **Spin Speed** setting is based on your washer's normal spin speed. Adjusting this setting allows the dryer's displayed time to be as close as possible to the actual drying time.

NOTICE: The spin speed is not the same as the rotation speed of the dryer drum.

To change the dryer's **Spin Speed** setting follow the instructions below.

Activate adjustment mode



The laundry remains loose and fluffy until it is removed. The laundry should be removed before this time has elapsed.

Low Heat

Reduced temperature for delicate fabrics, e.g. polyacrylic, polyamide or elastane, with longer drying

1. Select **Cotton Extra Dry** on position 1.

The appliance is on.

2. Touch and hold **Start/Pause** and turn the program selector to the right (position 2). Release **Start/Pause** button.

Adjustment mode is now activated and the default value (1000 rpm) appears in the display.

Change spin speed

Press the **Time dry** or **Finish in** button to change the setting (allowable values are between 600 and 1800 in increments of 100).

Quit adjustment mode

Turn the program selector to **Off** position. The settings were saved.

USER-MAINTENANCE INSTRUCTIONS

USER-MAINTENANCE INSTRUCTIONS

Your appliance is designed to give you years of service. Observe the following instructions to maintain your appliance and keep it in top operating condition.

▲ WARNING

RISK OF EXPLOSION

Never use solvents or highly flammable liquids for cleaning.

▲ CAUTION

Regular Maintenance, especially cleaning the lint filters is important!

Improper cleaning may damage the dryer or cause injury.

Do not spray with a hose or pressure washer.

Do not use scouring agents or all-purpose cleaners.

Do not use steam cleaners.

Do not use bleach-based wipes.

Cleaning the Dryer's exterior

Clean the Dryer's exterior surfaces by wiping with a soft cloth and soapy water only.

Wipe the drum, door seal and inside of the door with a damp cloth only.

NOTICE: Do not clean with a water jet.

Remove detergent and cleaning agent residue immediately.

During drying, water may occasionally accumulate between the window and the seal. This does not affect the proper operation of your dryer.

Cleaning the lint filter area

▲ WARNING

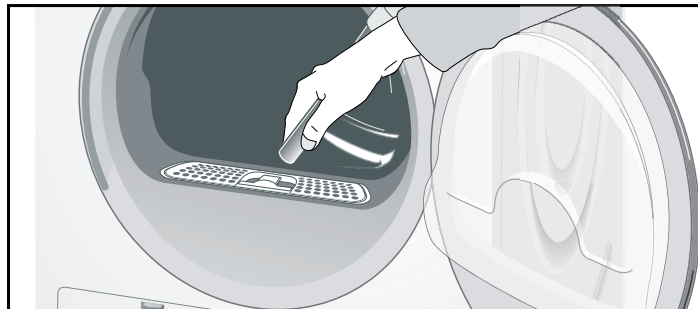
FIRE HAZARD

Follow these instructions when cleaning the lint filter area.

- DO NOT extend any cleaning device or object more than six inches (6") beyond the lint filter opening.
 - Only use a soft instrument (rubber, cloth or soft bristles) for cleaning inside the lint filter area.
 - With both lint filters removed, wipe or vacuum around the lint filter opening and no more than six inches below the opening.
-

Over time, lint from the drying process collects in the lint filter area.


This lint can be easily removed using a vacuum cleaner.



Cleaning the lint filter

Dirty filters prolong the drying time and increases energy consumption.

The filter should be cleaned before or after each drying process.

If  indicator lights up during a drying program, clean the filter immediately.

Tip: The program is interrupted automatically.

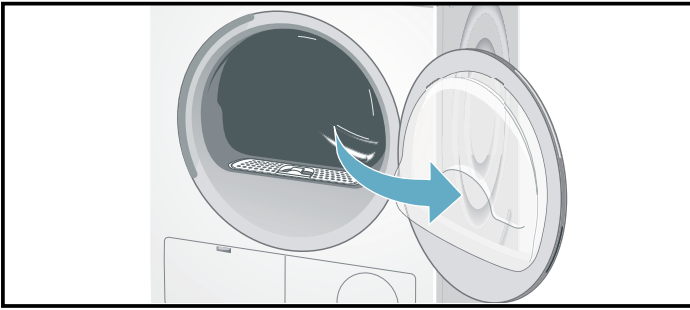
To clean the lint filter:

1. Turn the Program Selector to switch off the appliance.

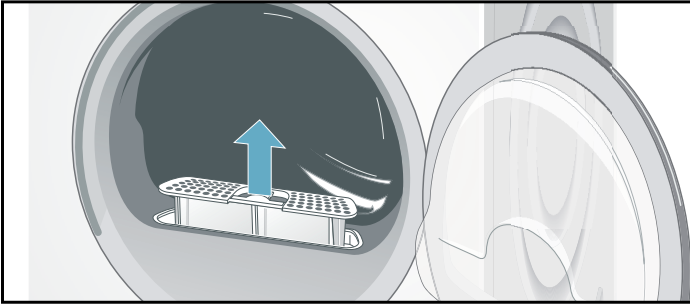
▲ CAUTION

The inside of the door heats up during the drying process. The drum, the door and the laundry may be hot.

2. Open the door.

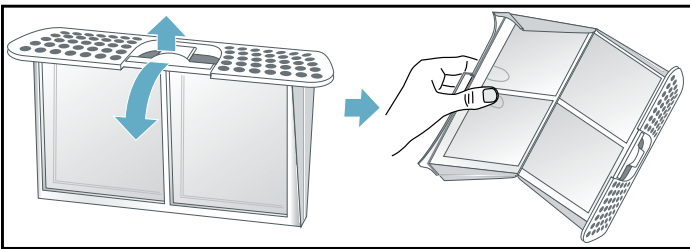


3. Pull out filter.

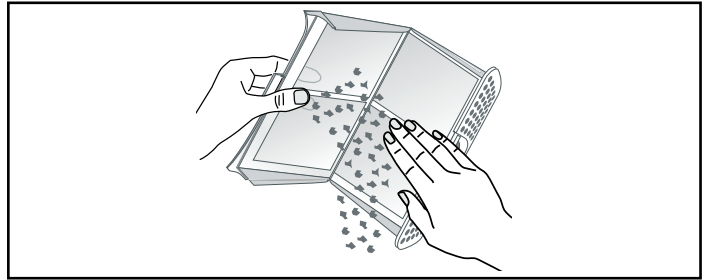


Remove the lint from the lint filter opening and area below. Ensure that no lint falls into opening below.

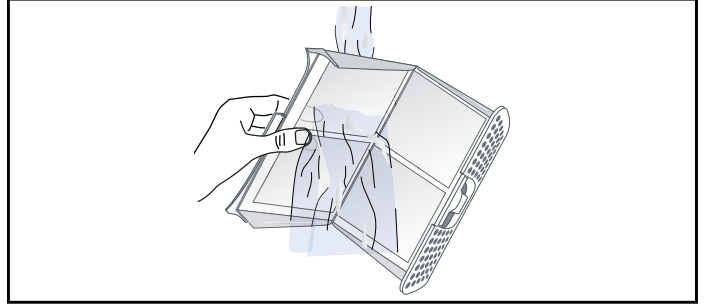
4. Open the filter.



5. Remove lint (run hand over filter).

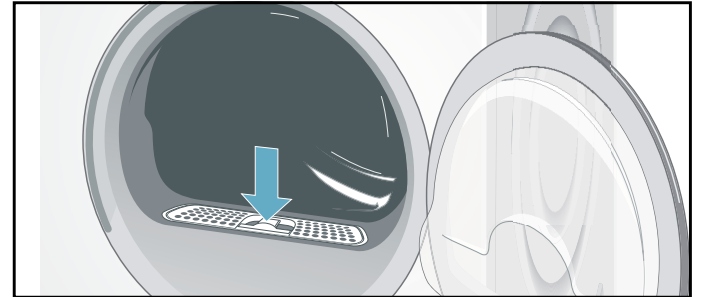


NOTICE: Severely dirty or clogged lint filter should be rinsed under warm running water.

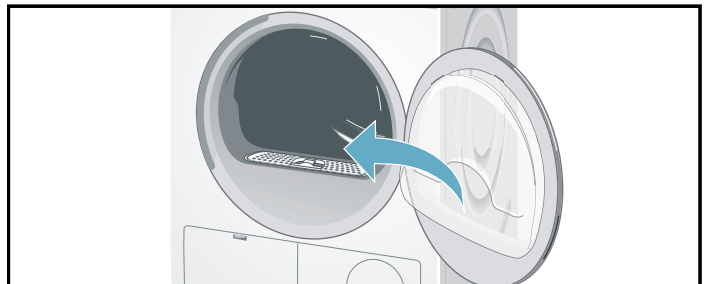


The filter must be dried thoroughly before being placed back into dryer.

6. Close the filter and re-insert it.



7. Close the door.

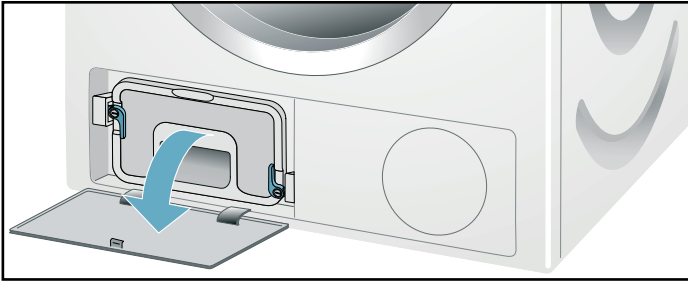


Cleaning the Condenser

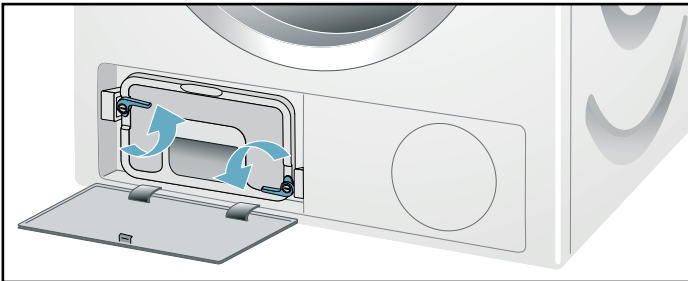
The Condenser requires periodic cleaning (recommended once per month under normal drying conditions). The frequency of cleaning depends on the amount and type loads being dried.

To clean the Condenser:

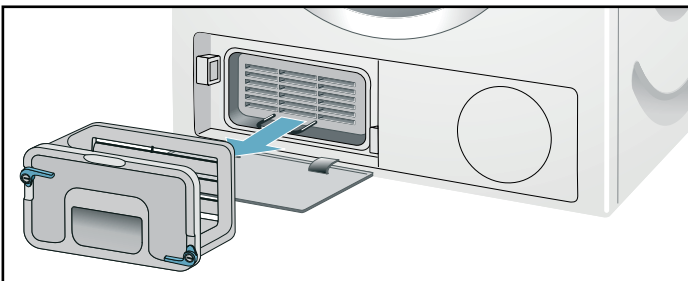
1. If the dryer is hot, run on **Air Fluff/No Heat** program to allow the dryer to cool down.
2. Residual water may escape, place an absorbent cloth under the maintenance flap.
3. Unlock the maintenance flap and open it completely.



4. Turn both locking levers towards each other.

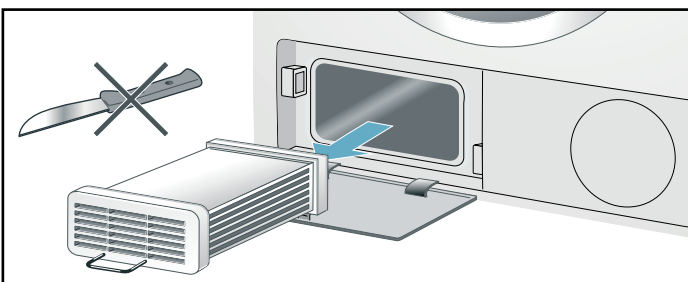


5. Pull out the Condenser cap.

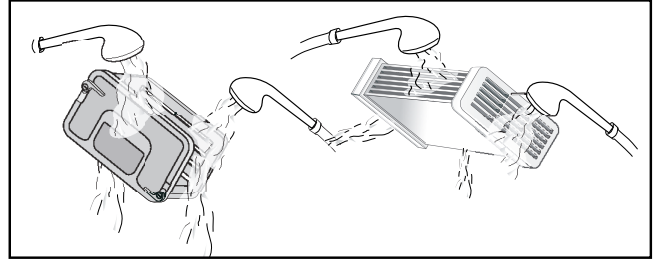


6. Remove the Condenser.

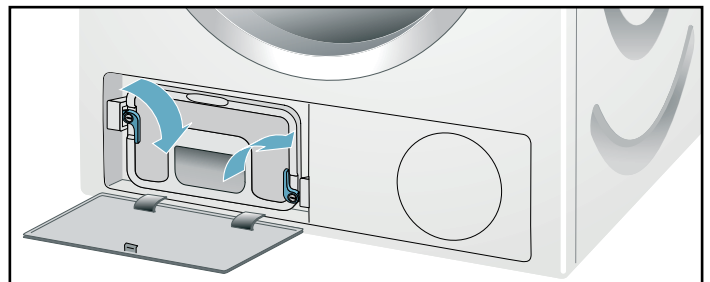
NOTICE: Do not damage the Condenser! Clean with warm water only. Do not use hard or sharp edged objects!



7. Rinse the Condenser and the cap on all sides with a jet of water to completely remove all of the lint and fluff.



8. Remove all lint and fluff from the seals on the dryer and Condenser.
9. Allow the cap and the Condenser to dry fully.
10. First insert the Condenser, then the cap.
11. Turn back both locking levers.



12. Close the maintenance flap until it locks into position.



13. Look in the Troubleshooting table to reset the maintenance indication.

→ *Troubleshooting; Page 34*

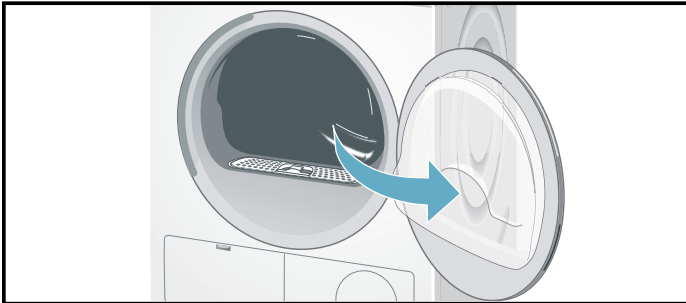
Cleaning the moisture sensors

The dryer is equipped with a stainless-steel moisture sensor. The moisture sensor measures how damp the laundry is.

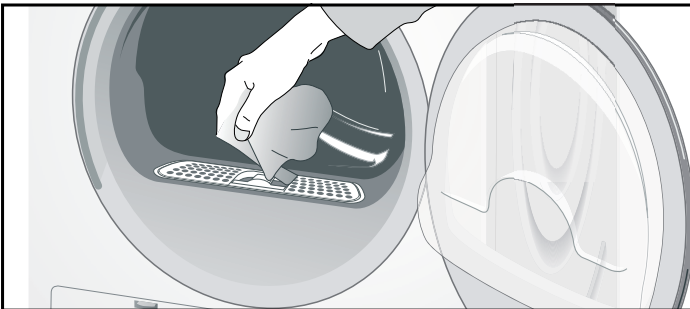
After long periods of use the moisture sensor may become covered by a fine layer of limescale or residue of detergents and textile care products. Such residue must be removed regularly as the sensor function will be impaired and the drying results less than desired.

To clean the moisture sensors:

1. Open the door.



2. The deposit on the sensors can easily be removed by wiping the sensors (the two bars next to the lint filter) with a cloth and white vinegar.



NOTICE: Use white vinegar only!
Clean the moisture sensors once a month.

Maintenance of drain hose

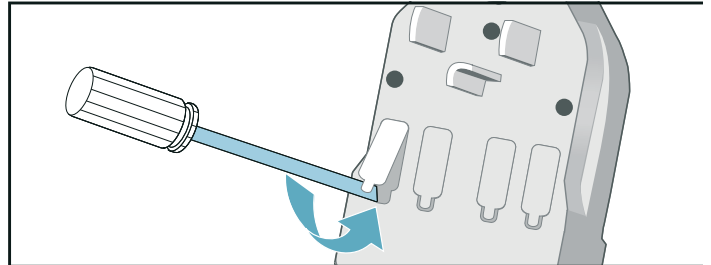
If **DR** indicator lights up check the drain hose for kinks, restrictions or blockage.

NOTICE: If **DR** indicator still lights up after the above steps are taken, you should contact Customer Service.

Replacing fuses in the Power Adapter - step-by-step

Fuses are a required safety device intended to last for the life of the product. In the unlikely event one fails follow the below steps to replace it.

1. Unplug the Washer and Dryer cords from the Power Adapter.
Unplug the Power Adapter from the wall outlet.



2. Remove fuse holder using a pointed tool as shown (e.g. pick or small screwdriver).
3. Replace suspected bad fuse with a known good one.

NOTICE: USE ONLY THE REPLACEMENT FUSE, PART NUMBER 10013781.

4. Reinstall the fuse and fuse holder in the Power Adapter ensuring it snaps into place.

Troubleshooting

Introduction

NOTICE: Before doing maintenance work or trying to fix a problem, rotate the program selector to **Off**.

If the power supply is interrupted during operation, the program will not continue when power is restored. When power is restored, confirm program and selected options are as desired and then press the Start/Pause button.

⚠ WARNING

RISK OF INJURY TO SKIN

The door, the drum and the laundry may be hot.

⚠ WARNING

RISK OF ELECTRIC SHOCK! EXPLOSION HAZARD

Repairs or replacement of parts should be carried out by authorized service providers only.

Before calling Customer Service, check whether you can rectify the problem yourself by means of the following table.

If a problem cannot be rectified or a repair is required:


1. Set program selector to **Off**.
2. Disconnect the dryer from the power outlet.
3. Call Customer Service.
→ *Customer service; Page 4*


General Troubleshooting

Often when you encounter a problem it will be something minor. Before you call Customer Service, consider the suggestions and instructions below:

NOTICE: The troubleshooting items listed below can help resolve minor issues with your dryer quickly and without the necessity of a service call.

Determining the Problem

Problem	Possible cause(s)	Solution(s)
Dryer does not start. Start/Pause indicator light does not flash.	Power cord end not inserted at all or not inserted correctly.	Insert power cord end correctly.
	A fuse is blown or breaker is tripped.	Replace fuse or reset breaker. For replacing the fuses in the supplied Power Adapter. → <i>Replacing fuses in the Power Adapter - step-by-step; Page 33</i>
	Door not closed properly.	Check if laundry is caught in the door. Close the door until a click is heard.
The display panel and indicator lights go out, Start/Pause indicator light flashes.	Program not selected.	Rotate the program selector to desired program. → <i>Program selection table; Page 28</i>
	Energy-saving mode is activated.	Touch any button to activate the display. → <i>Environmentally friendly use of your dryer; Page 8</i>
The display panel and Start/Pause indicator switch off.	Sleep mode after setting the Finish in option is activated.	Touch any button to activate the display.
Dryer does not start. Start/Pause indicator flashes.	Start/Pause button not pressed.	Press the Start/Pause button to start the cycle.
 indicator light up.	Lint filter dirty.	Clean lint filter. → <i>Cleaning the lint filter; Page 30</i> Touch the Start/Pause button to reset the displayed indication and then touch Start/Pause button again to reset the appliance if necessary.
	Condenser dirty.	Clean Condenser. → <i>Cleaning the Condenser; Page 32</i> Touch the Start/Pause button to reset the displayed indication and then touch Start/Pause button again to reset the appliance if necessary.
DR indicator light up. Water has not drained completely.	Drain hose is blocked.	Check drain hose. → <i>Maintenance of drain hose; Page 33</i> Check drain hose connection conditions.
Water is leaking out.	Dryer is not leveled.	Level the dryer. → <i>Leveling the dryer; Page 18</i>
	The Condenser seal is dirty.	Clean the Condenser seal. → <i>Cleaning the Condenser; Page 32</i>
	Drain hose is leaking.	Check entire length of drain hose for leaks; replace if necessary. Check that hose is clamped on hose barb at back of the dryer securely.
Program terminates shortly after starting.	Laundry is not loaded.	Load the laundry. → <i>Loading the laundry; Page 24</i>
	Load too small for selected program.	Use time program. → <i>Program selection; Page 23</i> → <i>Program selection table; Page 28</i>
	Loaded laundry is too dry.	Check the loaded laundry. If it is dry, open the door, remove laundry and turn program selector to Off .
The door opens by itself.	The door not closed properly.	Close the door until a click is heard.

Problem	Possible cause(s)	Solution(s)
Creasing.	Laundry load exceeded. Unsuitable program selected.	Do not exceed the maximum load for selected program. Remove items of laundry immediately after the end of the program, hang them up and pull into shape. Turn program selector to Off . → <i>Program selection table; Page 28</i> Select Wrinkle Block button to prevent the laundry from creasing or wrinkling. → <i>Wrinkle Block; Page 29</i>
Drying result is not satisfactory (laundry feels too damp).	Warm laundry may feel more damp than it really is.	Remove items of laundry immediately after the end of the program and turn the program selector to Off .
	The selected program does not suit the load.	Use another drying program or, in addition, select the time program. → <i>Program selection table; Page 28</i>
	Dryness level is not adjusted.	Use Dry Level to adjust the dryness level. → <i>Dry Level; Page 29</i>
	Fine layer of limescale or detergent and textile care products residues on the moisture sensors.	Clean the moisture sensors. → <i>Cleaning the moisture sensors; Page 33</i>
	Program termination e.g. main power supply failure, door open or maximum drying time reached.	See the problem(s) mentioned in this table.
Drying time too long.	Initial load is too wet.	Spin laundry at higher speed in the washing machine, before drying. Switch off the dryer, and than turn it on again.
	Lint filter and/or Condenser is dirty.	Clean lint filter → <i>Cleaning the lint filter; Page 30</i> and/or Condenser. → <i>Cleaning the Condenser; Page 32</i>
	Insufficient supply of ambient air for cooling. Air inlet possibly blocked.	Ensure that cool ambient room air can freely circulate near the dryer. → <i>Installation for best performance; Page 9</i> Do not obstruct the air inlet on the front of the dryer.
	Ambient temperature is lower than 59°F/15°C or higher than 86°F/30°C .	Ensure the ambient room conditions are within this range.
Program does not start Finish in (remaining) time is displayed.	A delayed starting time has been selected and activated.	Drying cycle will begin at proper time to complete at the selected Finish in time.
Program does not start -  symbol lit up.	Childproof lock is activated.	Deactivate Childproof lock. → <i>Childproof lock; Page 25</i>
One or more indicator lights are flashing.	Lint filter or/and Condenser is dirty.	Clean lint filter or/and Condenser (see solution of the problem(s) in this table above).
	Installation conditions are not adequate.	Check the installation conditions. → <i>Electrical Connections; Page 16</i>
	Fault in program sequence or malfunction.	Switch off the dryer, allow it to cool down, switch back on and restart the program.
Power failure.		Remove laundry from the dryer immediately and spread out. This allows the heat to dissipate. Be careful as the door, the drum and the laundry may be hot.

If troubleshooting did not solve your issue contact Customer Service → *Customer service; Page 4*

STATEMENT OF LIMITED PRODUCT WARRANTY

Bosch Clothes Dryer

What this Warranty Covers & Who it Applies to:

The limited warranty provided by BSH Home Appliances ("Bosch") in this Statement of Limited Product Warranty applies only to the Bosch appliance ("Product") sold to you provided that the Product was purchased:

- For your normal, household (non-commercial) use, and has in fact at all times only been used for normal household purposes.
- New at retail (not a display, "as is", or previously returned model), and not for resale, or commercial use.
- Within the United States or Canada, and has at all times remained within the country of original purchase.

The warranties stated herein apply to the original purchaser of the product warranted herein and to each succeeding owner of the product purchased for ordinary home use during the term of the warranty.

Please make sure to return your registration card; while not necessary to effectuate warranty coverage, it is the best way for Bosch to notify you in the unlikely event of a safety notice or product recall.

Limitation for Third Party Accessories:

Third party accessories, other than those shipped with your Bosch appliance, and any consequential damages resulting therefrom, are not covered by this warranty. This limitation expressly includes the implied warranties of merchantability and fitness for a particular purpose, which are also expressly excluded with respect to third party accessories, other than those shipped with your Bosch appliance. Use of third party accessories, other than those shipped with your Bosch appliance, does not void this warranty on any other part, and all other provisions of this warranty remain in effect.

How Long the Warranty Lasts:

Bosch warrants that the Product is free from defects in materials and workmanship for a period of three hundred sixty-five days (365) days from the date of the original purchase. The foregoing timeline begins to run upon the date of the original purchase, and shall not be stalled, tolled, extended, or suspended, for any reason whatsoever. This product is also warranted to be free from cosmetic defects in material and workmanship (such as scratches of stainless steel, paint/porcelain blemishes, chips, dents, or other damage to the finish) of the Product, for a period of thirty (30) days from the date of purchase or closing date for new construction. This cosmetic warranty excludes slight color variations due to inherent differences in painted and porcelain parts, as well as differences caused by kitchen lighting, product location, or other similar factors. This cosmetic warranty specifically excludes any display, floor, "As Is", or "B" stock appliances.

SCOPE OF EXTENDED LIMITED WARRANTY

Bosch will repair or replace, free of charge, any printed circuit boards, drive motor or component part of the drive motor that proves defective under conditions of normal home use during the first seven hundred thirty (730) days from the date of the original purchase, labor charges excluded.

Repair/Replace as Your Exclusive Remedy:

During this warranty period, Bosch or one of its authorized service providers will repair your Product without charge to you (subject to certain limitations stated herein) if your Product proves to have been manufactured with a defect in materials or workmanship. If reasonable attempts to repair the Product have been made without success, then Bosch will replace your Product (upgraded models may be available to you, in Bosch's sole discretion, for an additional charge). Nothing in this warranty requires damaged or defective parts to be replaced with parts of a different type or design than the original part. All removed parts and components shall become property of Bosch at its sole option. All replaced and/or repaired parts shall assume the identity of the original part for purposes of this warranty and this warranty shall not to be extended with respect to such parts. Bosch's sole liability and responsibility hereunder is to repair manufacturer-defective Product only, using a Bosch authorized service provider during normal business hours. For safety and property damage concerns, Bosch highly recommends that you do not attempt to repair the Product yourself, or use a non-authorized service provider; Bosch will have no responsibility or liability for repairs or work performed by a non-authorized service provider. Authorized service providers are those persons or companies that have been specially trained on Bosch products, and who possess, in Bosch's opinion, a superior reputation for customer service and technical ability (note that they are independent entities and are not agents, partners, affiliates or representatives of Bosch). Notwithstanding the foregoing, Bosch will not incur any liability, or have responsibility, for the Product if it is located in a remote area (more than 100 miles from an authorized service provider) or is in a reasonably inaccessible, hazardous, threatening, or treacherous locale, surroundings, or environment; in any such event, if you request, Bosch would still pay for labor and parts and ship the parts to the nearest authorized service provider, but you would still be fully liable and responsible for any travel time or other special charges by the service company, assuming they agree to make the service call.

Out of Warranty Product:

Bosch is under no obligation, at law or otherwise, to provide you with any concessions, including repairs, prorates, or Product replacement, once this warranty has expired.

Warranty Exclusions:

The warranty coverage described herein excludes all defects or damage that are not the direct fault of Bosch, including without limitation, one or more of the following:

- Use of the Product in anything other than its normal, customary and intended manner (including without limitation, any form of commercial use, use or storage of an indoor product outdoors, use of the Product in conjunction with air or water-going vessels).
- Any party's willful misconduct, negligence, misuse, abuse, accidents, neglect, improper operation, failure to maintain, improper or negligent installation, tampering, failure to follow operating instructions, mishandling, unauthorized service (including self performed "fixing" or exploration of the appliance's internal workings).
- Adjustment, alteration or modification of any kind.
- A failure to comply with any applicable state, local, city, or county electrical, plumbing and/or building codes, regulations, or laws, including failure to install the product in strict conformity with local fire and building codes and regulations.
- Ordinary wear and tear, spills of food, liquid, grease accumulations, or other substances that accumulate on, in, or around the Product.
- Any external, elemental and/or environmental forces and factors, including without limitation, rain, wind, sand, floods, fires, mud slides, freezing temperatures, excessive moisture or extended exposure to humidity, lightning, power surges, structural failures surrounding the appliance, and acts of God.

In no event shall Bosch have any liability or responsibility whatsoever for damage to surrounding property, including cabinetry, floors, ceilings, and other structures or objects around the Product. Also excluded from this warranty are Products on which the serial numbers have been altered, defected, or removed; service visits to teach you how to use the Product, or visits where there is nothing wrong with the Product; correction of installation problems (you are solely responsible for any structure and setting for the Product, including all electrical, plumbing or other connecting facilities, for proper foundation/flooring, and for any alterations including without limitation cabinetry, walls, floors, shelving, etc.); and resetting of breakers or fuses.

TO THE EXTENT ALLOWED BY LAW, THIS WARRANTY SETS OUT YOUR EXCLUSIVE REMEDIES WITH RESPECT TO PRODUCT, WHETHER THE CLAIM ARISES IN CONTRACT OR TORT (INCLUDING STRICT LIABILITY, OR NEGLIGENCE) OR OTHERWISE. THIS WARRANTY IS IN LIEU OF ALL OTHER WARRANTIES WHETHER EXPRESS OR IMPLIED. ANY WARRANTY IMPLIED BY LAW, WHETHER FOR MERCHANTABILITY OR FITNESS FOR A PARTICULAR PURPOSE, OR OTHERWISE, SHALL BE EFFECTIVE ONLY FOR THE PERIOD THAT THIS EXPRESS LIMITED WARRANTY IS EFFECTIVE. IN NO EVENT WILL THE MANUFACTURER BE LIABLE FOR CONSEQUENTIAL, SPECIAL, INCIDENTAL, INDIRECT, "BUSINESS LOSS", AND/OR PUNITIVE DAMAGES, LOSSES, OR EXPENSES, INCLUDING WITHOUT LIMITATION TIME AWAY FROM WORK, HOTELS AND/OR RESTAURANT MEALS, REMODELLING EXPENSES IN EXCESS OF DIRECT DAMAGES WHICH ARE DEFINITELY CAUSED EXCLUSIVELY BY BOSCH, OR OTHERWISE. SOME STATES DO NOT ALLOW THE EXCLUSIONS OR LIMITATIONS OF INCIDENTAL OR CONSEQUENTIAL DAMAGES, AND SOME STATES DO NOT ALLOW LIMITATIONS ON HOW LONG AN IMPLIED WARRANTY LASTS, SO THE ABOVE EXCLUSIONS OR LIMITATIONS MAY NOT APPLY TO YOU. THIS WARRANTY GIVES YOU SPECIFIC LEGAL RIGHTS, AND YOU MAY ALSO HAVE OTHER RIGHTS WHICH VARY FROM STATE TO STATE.

No attempt to alter, modify or amend this warranty shall be effective unless authorized in writing by an officer of BSH.

How to Obtain Warranty Service:

To obtain warranty service for your Product, you should contact Bosch Customer Service Department at 1-800-944-2904 to schedule a repair.



9001774764
(0208)



1901 Main Street, Suite 600 • Irvine, CA 92614 • 1-800-944-2904
www.bosch-home.com • © 2020 BSH Home Appliances Corporation