

# 24" Compact Washer

800 Series Washer with Home Connect® – WAW285H2UC



**WAW285H2UC**  
White

The 800 Series Laundry pair is ENERGY STAR® certified and offers matching quality, water protection, design and fast wash and dry cycles.

## Features & Benefits

The Bosch 800 Series washer with Home Connect® can be operated from anywhere.

AquaStop® Plus provides extra protection against water damage.

Customized stain options treat organic oils, blood, red wine and grass.

SpeedPerfect® provides up to 40% faster washing time.\*

At 2.2 cu. ft. Bosch washers are compact in size without sacrificing capacity so you can fit a variety of loads.



General Properties	
Tub material	Stainless Steel
Maximum spin speed	1,400 rpm
Interior light	Yes (LED)
Leak protection systems	AquaStop® Plus (AquaStop® Base + Aquashield® Hose)
Internal water heater	Yes
Stackable	Yes with Stacking Kit Accessory
Silence level – washing	50 dBA
Silence level – spinning	71 dBA
Programs (No.), [Special]	(14), [Super Quick 15, Whitest Whites]
Options (No.), [Special]	(10) [Remote Start, EcoPerfect™, Stains]
Home Connect™ (Wi-Fi enabled)	Yes
Energy consumption	84 kWh/yr
Water consumption	2,379 gal/yr
ENERGY STAR® certified	Yes
Capacity	
Capacity	2.2 cu. ft.
Design Elements	
Door ring	Chrome
Control type	Premium LED touch
Dial	Illuminated jog dial
Bosch logo on door glass	Yes
Technical Details	
Watts	2,520 W
Circuit breaker	15 A**
Volts	208/220-240 V
Current	10.5 A
Frequency	60 Hz
Power Cord (included) [Type]	(Yes) [240V; NEMA 6-15, 3-prong]

## Technical Details Continued

Power cord length	63" (Full Length)
Drain hose length	57" (Full Length)
Inlet hose length	59" (Full Length)
Door hinge	Left Side (Not Reversible)

## Dimensions & Weight

Overall appliance dimensions (HxWxD)	33 1/4" x 23 1/2" x 25"
Net weight	160 lbs
Minimum stack height	67 3/4"

\*ADA compliance  
– Meets ADA height and access requirements *when installed on pedestal.*  
– Meets ADA operable parts requirements for controls and detergent dispenser.

## Accessories

Short Stainless Steel Hose (If needed for plumbing box clearance with AQS hose)	P/N 645787
---	------------

## Dryer Stacking Kits



**WTZ11400UC**

Kit w/ Shelf

**WTZ20410UC**

Kit w/out Shelf

**WTZSB30UC**

Kit w/Brackets

Necessary only when stacking a matching Bosch dryer on top of washer. Shown here for reference only.

## Power Adapters



**WTZPA20UC**

4-Prong

**WTZPA30US**

3-Prong

Matching Bosch Dryers are supplied with WTZPA20UC adapter to fit a standard 4-Prong, 30A, Dryer receptacle (NEMA 14-30R) to power both Bosch Washers and Dryers.

Note: – 3-Prong Adapter may be ordered directly from Bosch (not supplied with Washer or Dryer).  
– Use of two individual NEMA 6-15R or 6-20R receptacles/circuits may be used as alternative means to power Washer and Dryer.



**WMZPW20W**  
Washer Pedestal

\*As compared to Perm Press Heavy Soil cycle without SpeedPerfect®

\*\*Stated circuit breaker size is if the appliance is plugged into an individual 240/208V, 15A minimum branch circuit.

**Accessories:** To purchase Bosch accessories, cleaners & parts please visit [www.bosch-home.com/us/store](http://www.bosch-home.com/us/store) or call 1-800-944-2904 (Mon to Fri 5 am to 6 pm PST, Sat 6 am to 3 pm PST).

**Notes:** All height, width and depth dimensions are shown in inches. BSH reserves the absolute and unrestricted right to change product materials and specifications, at any time, without notice. Consult the product's installation instructions for final dimensional data and other details prior to making cutout.

**Warranties:** Please see Use & Care manual or Bosch website for statement of limited warranty.

**For more information on our entire line of products, go to [www.bosch-home.com/us](http://www.bosch-home.com/us) or call 1-800-944-2904**

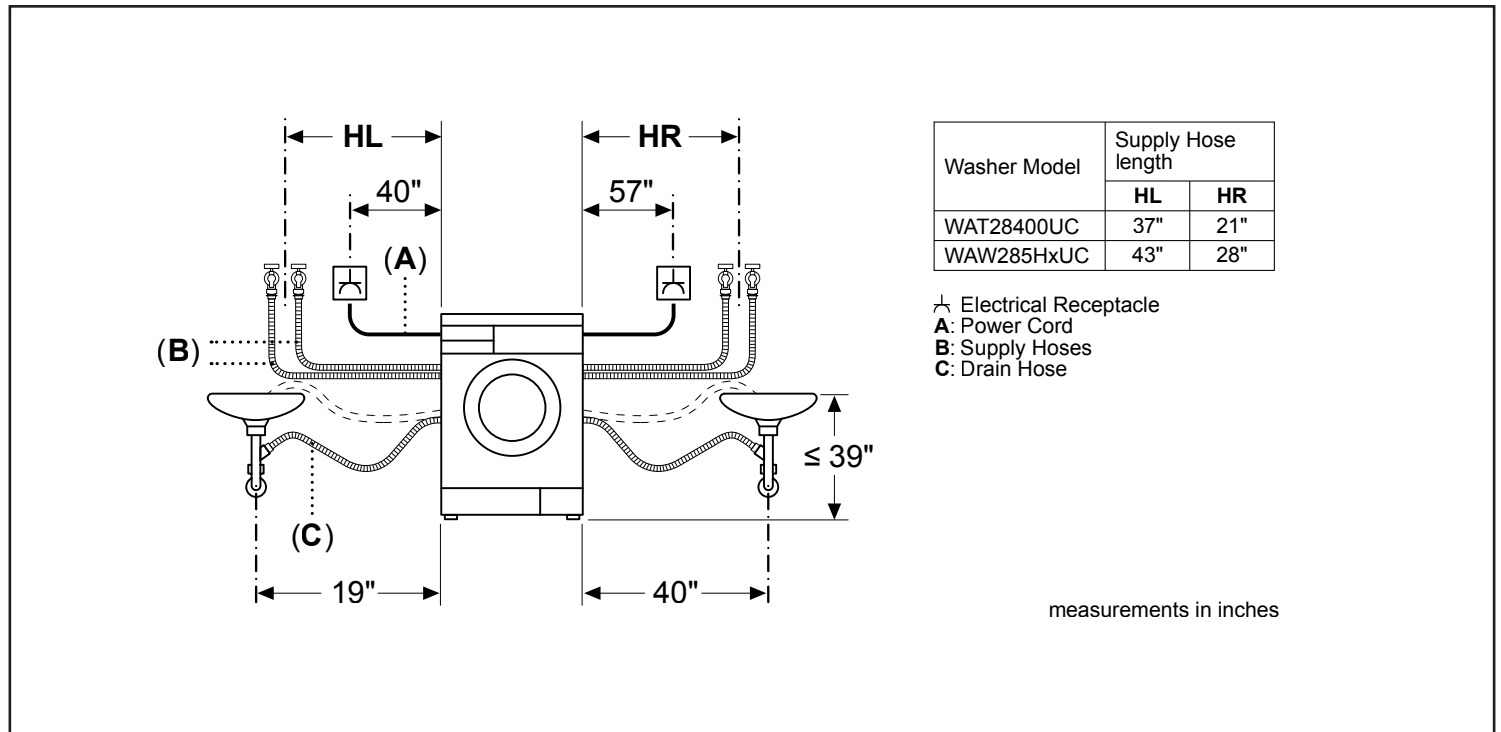
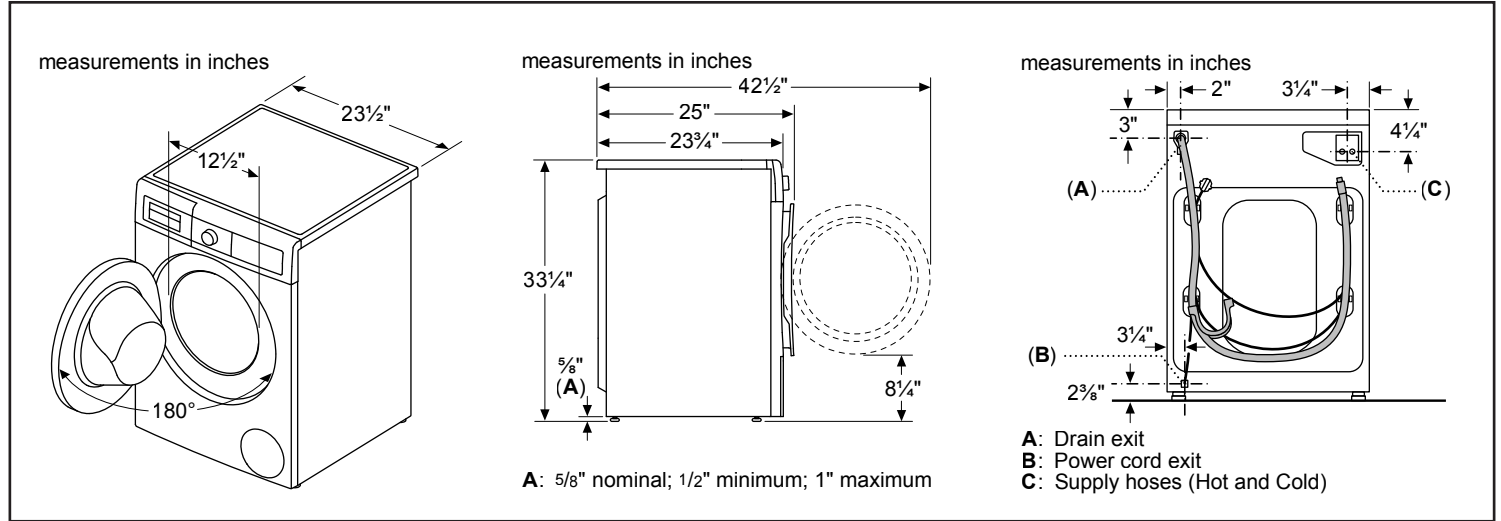
© BSH Home Appliances Corporation. All rights reserved. Bosch is a registered trademark of Robert Bosch GmbH.

# 24" Compact Washer

800 Series Washer with Home Connect® – WAW285H2UC



## Installation Details



**Accessories:** To purchase Bosch accessories, cleaners & parts please visit [www.bosch-home.com/us/store](http://www.bosch-home.com/us/store) or call 1-800-944-2904 (Mon to Fri 5 am to 6 pm PST, Sat 6 am to 3 pm PST).

**Notes:** All height, width and depth dimensions are shown in inches. BSH reserves the absolute and unrestricted right to change product materials and specifications, at any time, without notice. Consult the product's installation instructions for final dimensional data and other details prior to making cutout.

**Warranties:** Please see Use & Care manual or Bosch website for statement of limited warranty.

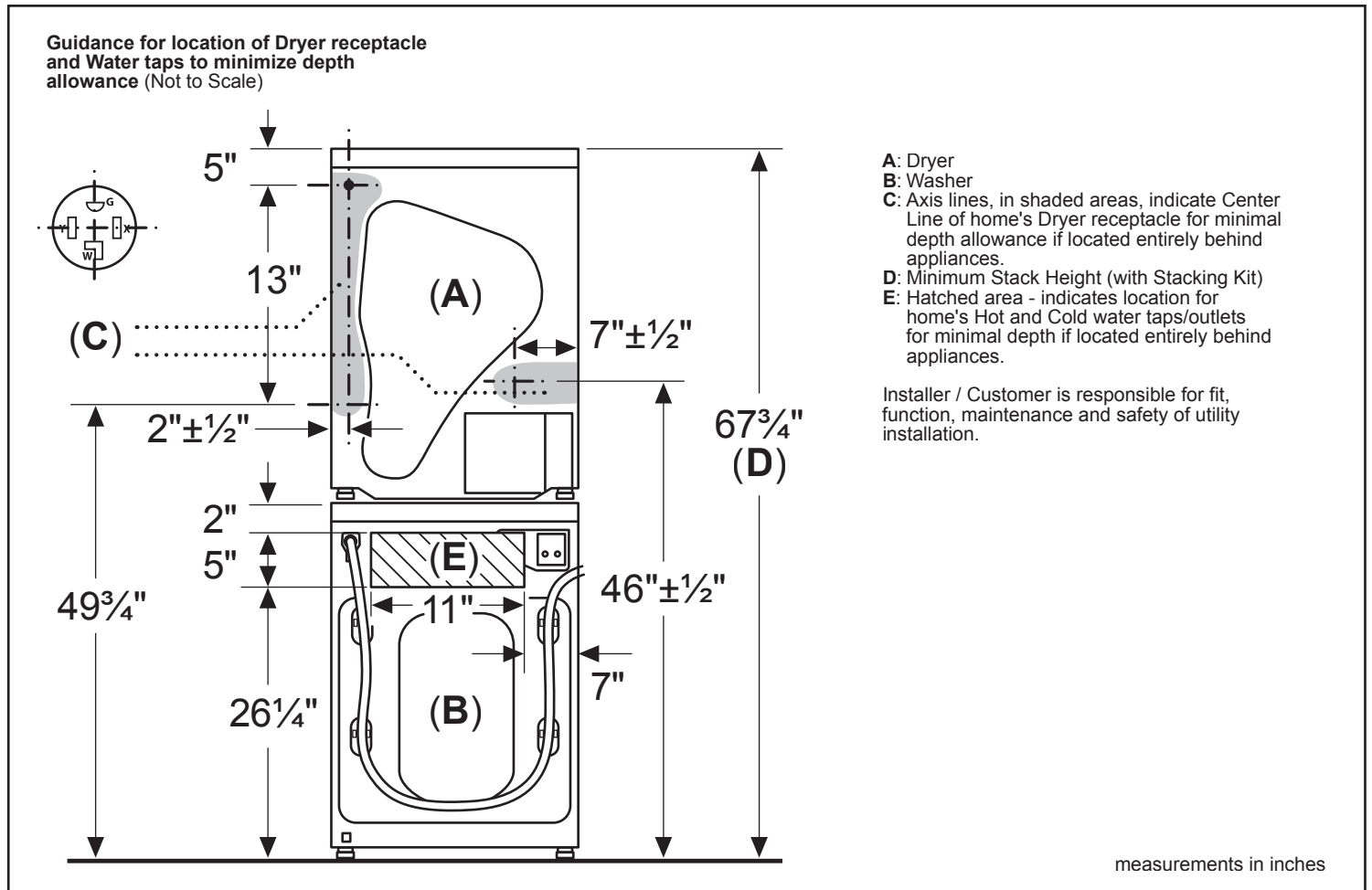
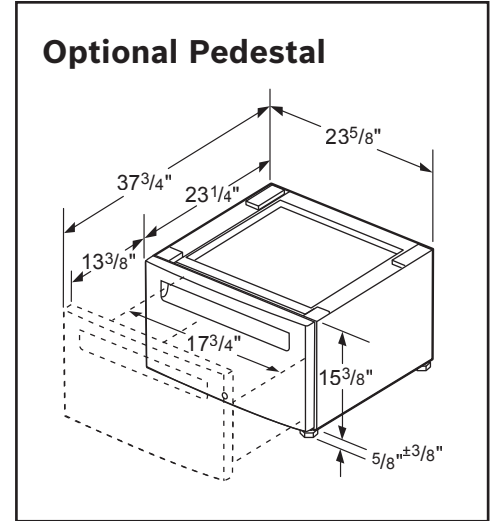
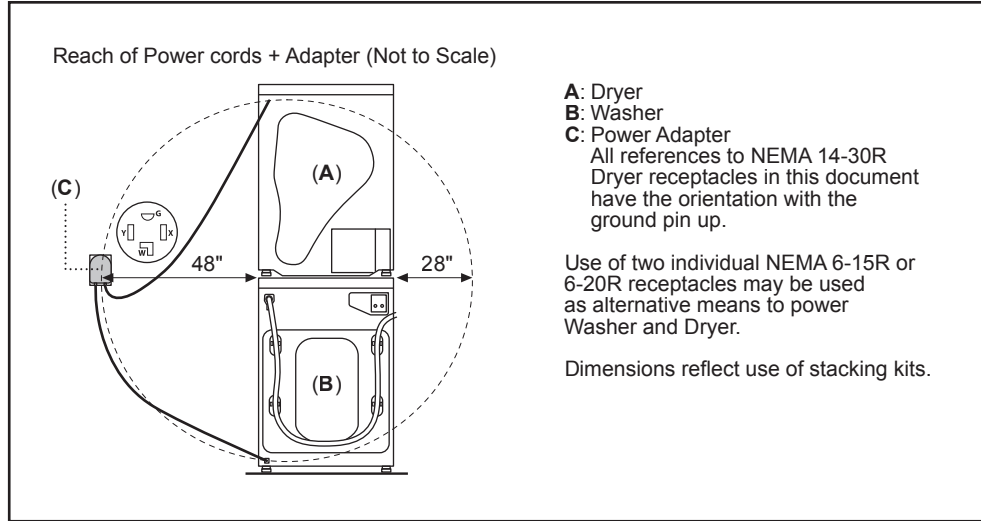
**For more information on our entire line of products, go to [www.bosch-home.com/us](http://www.bosch-home.com/us) or call 1-800-944-2904**

© BSH Home Appliances Corporation. All rights reserved. Bosch is a registered trademark of Robert Bosch GmbH.

# 24" Compact Washer

800 Series Washer with Home Connect® – WAW285H2UC

## Installation Details



**Accessories:** To purchase Bosch accessories, cleaners & parts please visit [www.bosch-home.com/us/store](http://www.bosch-home.com/us/store) or call 1-800-944-2904 (Mon to Fri 5 am to 6 pm PST, Sat 6 am to 3 pm PST).

**Notes:** All height, width and depth dimensions are shown in inches. BSH reserves the absolute and unrestricted right to change product materials and specifications, at any time, without notice. Consult the product's installation instructions for final dimensional data and other details prior to making cutout.

**Warranties:** Please see Use & Care manual or Bosch website for statement of limited warranty.

**For more information on our entire line of products, go to [www.bosch-home.com/us](http://www.bosch-home.com/us) or call 1-800-944-2904**

© BSH Home Appliances Corporation. All rights reserved. Bosch is a registered trademark of Robert Bosch GmbH.

# 24" Compact Washer

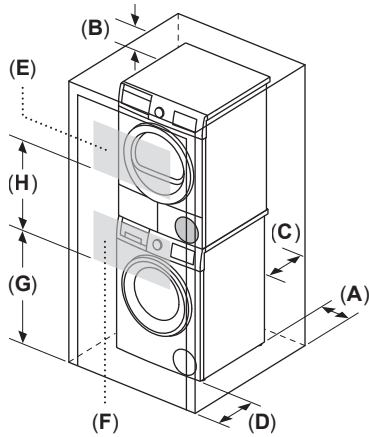
800 Series Washer with Home Connect® – WAW285H2UC



**BOSCH**  
Invented for life

## Installation Details

**Closet: Stacked Washer and Condensing Dryer**



**Minimum clearance requirements**  
(Stacked, Stand Alone or Side by Side):

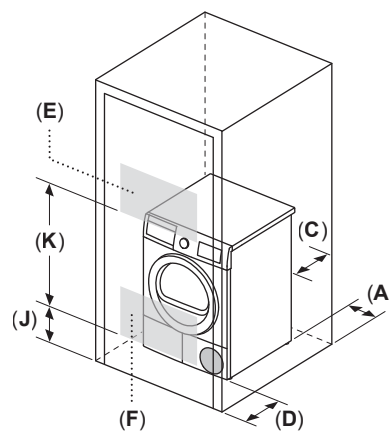
- A: Both sides (left and right) – 5/8"
- B: Top – 6 1/4"
- C: Rear – 2 1/2"
- D: Front – 2 1/2"

**Minimum louvered area and spacing:**

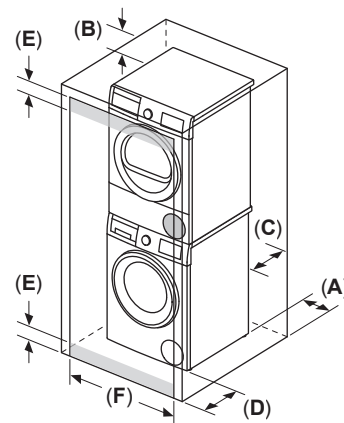
- E: Top louver area – 63 sq. in.
- F: Bottom louver area – 63 sq. in.
- G: Lower Height (stacked) – 37"
- H: Upper Height (stacked) – 26"
- J: Lower Height (stand alone) – 3"
- K: Upper Height (stand alone) – 29"

For shortest drying times keep closet door open while dryer is operating. When closet doors are closed, open areas only allow minimal drying results (expect long drying times).

**Closet: Stand Alone (shown) or Side by Side**



**Closet: Stacked Washer with Heat Pump Dryer**



**Minimum clearance requirements**  
(Stacked, Stand Alone or Side by Side):

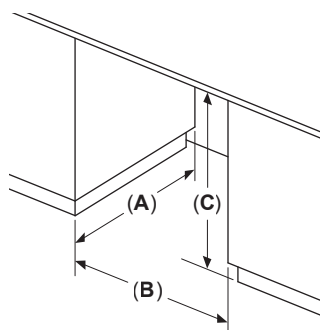
- A: Both sides (left and right) – 1/2"
- B: Top – 6 1/4"
- C: Rear – 3"
- D: Front – 1/2"

**Minimum door undercut (louvered area):**

- E: Undercut height (Top and Bottom) – 1 1/4"  
Louvered areas of equal total sizes and split between upper and lower portions of door are permitted.
- F: Undercut width (Top and Bottom):  
– 24" minimum for Stacked and Stand Alone  
– 48" minimum for Side by Side

For shortest drying times keep closet door open while dryer is operating. When closet doors are closed, open areas only allow minimal drying results (expect long drying times).

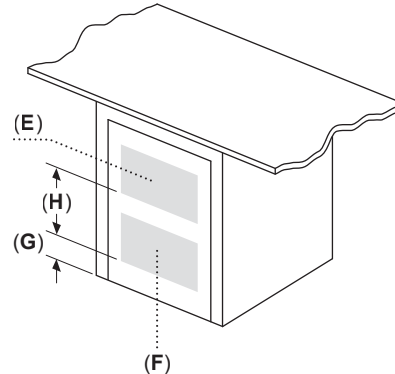
**Under Counter (Preferred)**



**Minimum opening dimensions:**

- A: Depth – 28"
  - B: Width – 23 3/8"
  - C: Height – 34 1/2"
- Front of appliance fully open.  
No doors or coverings.

**Under Counter Enclosed (Less Preferred)**



If the front of the appliance is covered, louvered openings must be installed as shown and front/rear clearances adhered to according to closet installations.

**Minimum louvered area and spacing:**

- E: Top louver area – 63 sq. in.
- F: Bottom louver area – 63 sq. in.
- G: Lower Height – 3"
- H: Upper Height – 14"

For shortest drying times keep cabinet door open while dryer is operating. When cabinet door is closed, open areas only allow minimal drying results (expect long drying times).

measurements in inches

**Accessories:** To purchase Bosch accessories, cleaners & parts please visit [www.bosch-home.com/us/store](http://www.bosch-home.com/us/store) or call 1-800-944-2904 (Mon to Fri 5 am to 6 pm PST, Sat 6 am to 3 pm PST).

**Notes:** All height, width and depth dimensions are shown in inches. BSH reserves the absolute and unrestricted right to change product materials and specifications, at any time, without notice. Consult the product's installation instructions for final dimensional data and other details prior to making cutout.

**Warranties:** Please see Use & Care manual or Bosch website for statement of limited warranty.

**For more information on our entire line of products, go to [www.bosch-home.com/us](http://www.bosch-home.com/us) or call 1-800-944-2904**

© BSH Home Appliances Corporation. All rights reserved. Bosch is a registered trademark of Robert Bosch GmbH.

# 24" Compact Condensation Dryer

800 Series Dryer with Home Connect® – WTG865H4UC



**WTG865H4UC**  
White

The 800 Series dryer is a perfect companion to the 800 series washer, matching in quality, performance and design.

## Features & Benefits

The Bosch 800 series dryer with Home Connect® can be operated from anywhere.

Condensation drying doesn't require ducting.

Wrinkle Block Option reduces creasing or wrinkle build up.

The 4.0 cu. ft. drum has a large capacity to fit a variety of loads.

## General Properties

Dryer type	Condensing
Drum material	Stainless Steel
Interior light	Yes (LED)
Ventless drying (no ducting)	Yes
Stackable	Yes with Stacking Kit Accessory
Silence level	63 dBA
Programs (No.), [Special]	(14), [Super Quick 15, Anti Shrink]
Options (No.), [Special]	(8) [Remote Start, Dryness Level]
Home Connect™ (Wi-Fi enabled)	Yes
Energy consumption	315 kWh/yr
ENERGY STAR® certified	Yes

## Capacity

Capacity	4.0 cu. ft.
----------	-------------

## Design Elements

Door ring	Chrome
Control type	Premium LED touch
Dial	Chrome illuminated jog dial
Bosch logo on door glass	Yes

## Technical Details

Energy source	Electric
Watts	2,520 W
Circuit breaker	15 A*
Volts	208/220-240 V
Current	10.5 A
Frequency	60 Hz
Power Cord (included) [Type]	(Yes) [240V; NEMA 6-15, 3-prong]
Power cord length	63" (Full Length)
Drain hose length	78" (Full Length)
Door hinge	Right Side (Reversible)

## Dimensions & Weight

Overall appliance dimensions (HxWxD)	33 1/4" x 23 1/2" x 25"
Net weight	99 lbs
Minimum stack height	67 3/4"

### \*ADA compliance

- Meets ADA height and access requirements *when installed on pedestal.*
- Meets ADA operable parts requirements for controls and lint filter.

## Accessories

### Dryer Stacking Kits

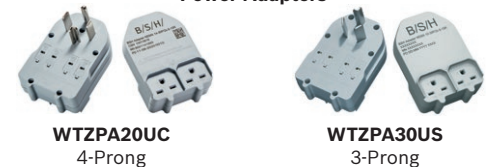


**WTZ11400UC**  
Kit w/ Shelf

**WTZ20410UC**  
Kit w/out Shelf

**WTZSB30UC**  
Kit w/Brackets

### Power Adapters



**WTZPA20UC**  
4-Prong

**WTZPA30US**  
3-Prong

Bosch Dryers are supplied with WTZPA20UC adapter to fit a standard 4-Prong, 30A, Dryer receptacle (NEMA 14-30R) to power both Bosch Washers and Dryers.

- Note:
- 3-Prong Adapter may be ordered directly from Bosch (not supplied with Washer or Dryer).
  - Use of two individual NEMA 6-15R or 6-20R receptacles/circuits may be used as alternative means to power Washer and Dryer.



**WTZPW20D**  
Dryer Pedestal



**WMZ20600**  
Drying Rack



\*Stated circuit breaker size is if the appliance is plugged into an individual 240/208V, 15A minimum branch circuit.

**Accessories:** To purchase Bosch accessories, cleaners & parts please visit [www.bosch-home.com/us/store](http://www.bosch-home.com/us/store) or call 1-800-944-2904 (Mon to Fri 5 am to 6 pm PST, Sat 6 am to 3 pm PST).

**Notes:** All height, width and depth dimensions are shown in inches. BSH reserves the absolute and unrestricted right to change product materials and specifications, at any time, without notice. Consult the product's installation instructions for final dimensional data and other details prior to making cutout.

**Warranties:** Please see Use & Care manual or Bosch website for statement of limited warranty.

**For more information on our entire line of products, go to [www.bosch-home.com/us](http://www.bosch-home.com/us) or call 1-800-944-2904**

© BSH Home Appliances Corporation. All rights reserved. Bosch is a registered trademark of Robert Bosch GmbH.

# 24" Compact Condensation Dryer

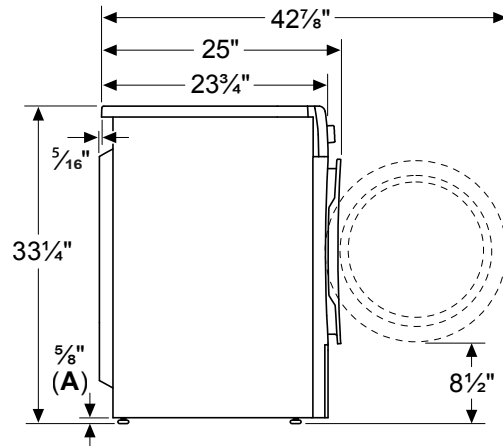
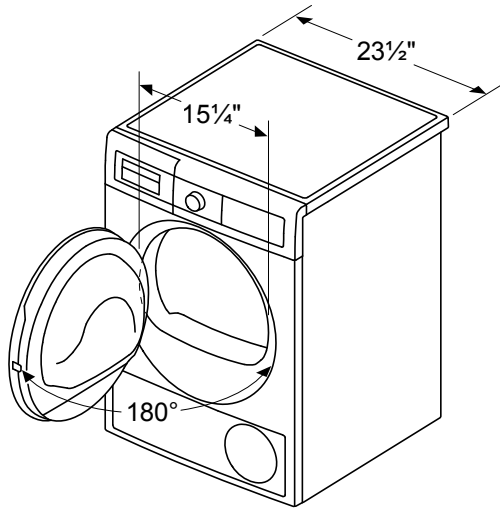
800 Series Dryer with Home Connect® – WTG865H4UC



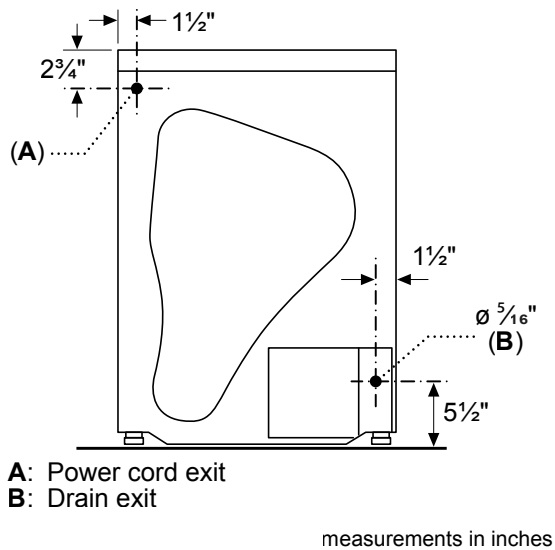
**BOSCH**

Invented for life

## Installation Details

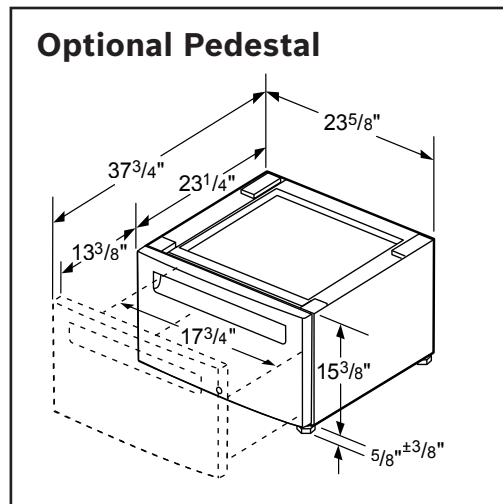


A: 5/8" nominal; 1/2" minimum; 1" maximum



A: Power cord exit  
B: Drain exit

measurements in inches



### Optional Pedestal

**Accessories:** To purchase Bosch accessories, cleaners & parts please visit [www.bosch-home.com/us/store](http://www.bosch-home.com/us/store) or call 1-800-944-2904 (Mon to Fri 5 am to 6 pm PST, Sat 6 am to 3 pm PST).

**Notes:** All height, width and depth dimensions are shown in inches. BSH reserves the absolute and unrestricted right to change product materials and specifications, at any time, without notice. Consult the product's installation instructions for final dimensional data and other details prior to making cutout.

**Warranties:** Please see Use & Care manual or Bosch website for statement of limited warranty.

**For more information on our entire line of products, go to [www.bosch-home.com/us](http://www.bosch-home.com/us) or call 1-800-944-2904**

© BSH Home Appliances Corporation. All rights reserved. Bosch is a registered trademark of Robert Bosch GmbH.

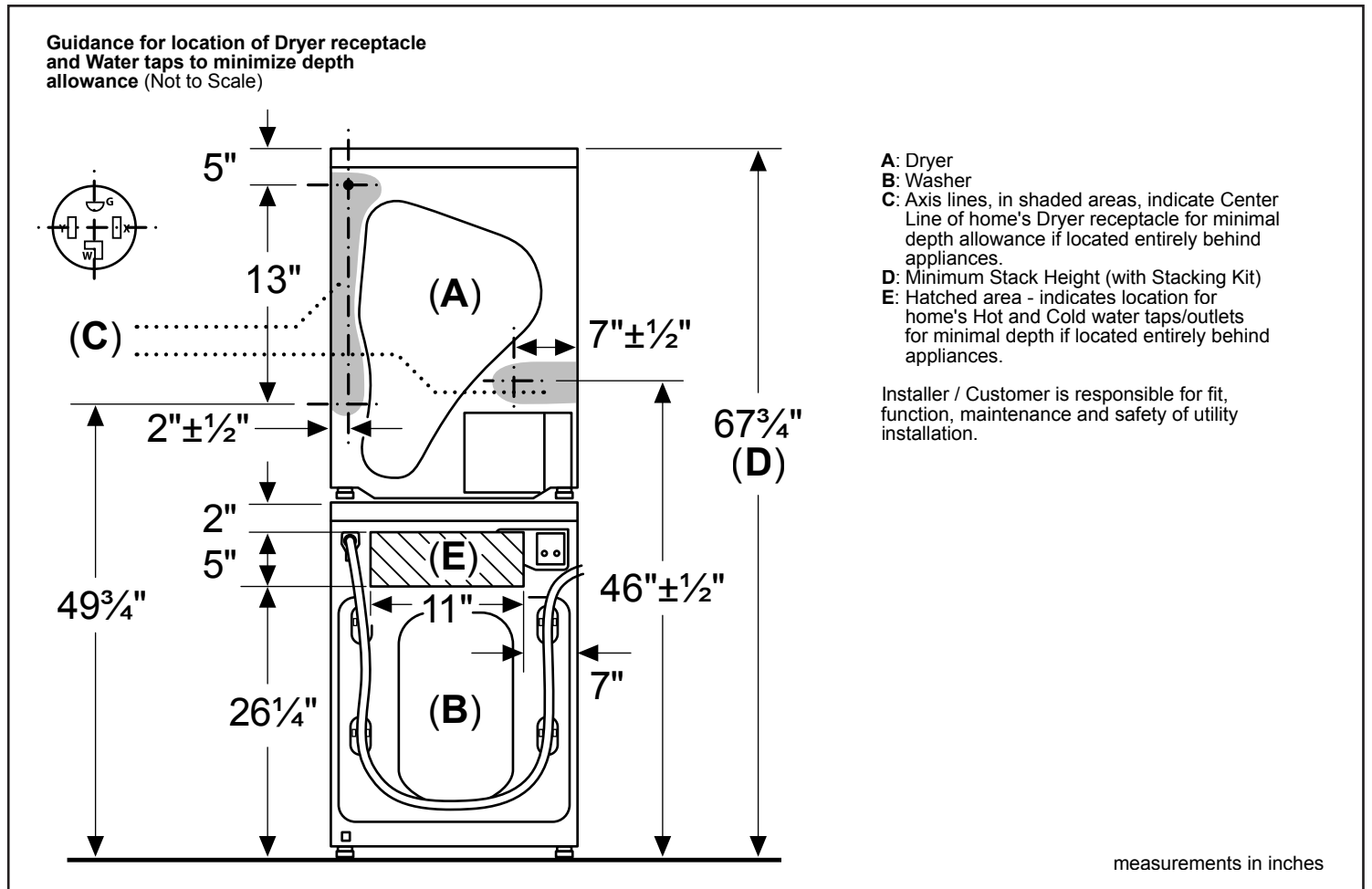
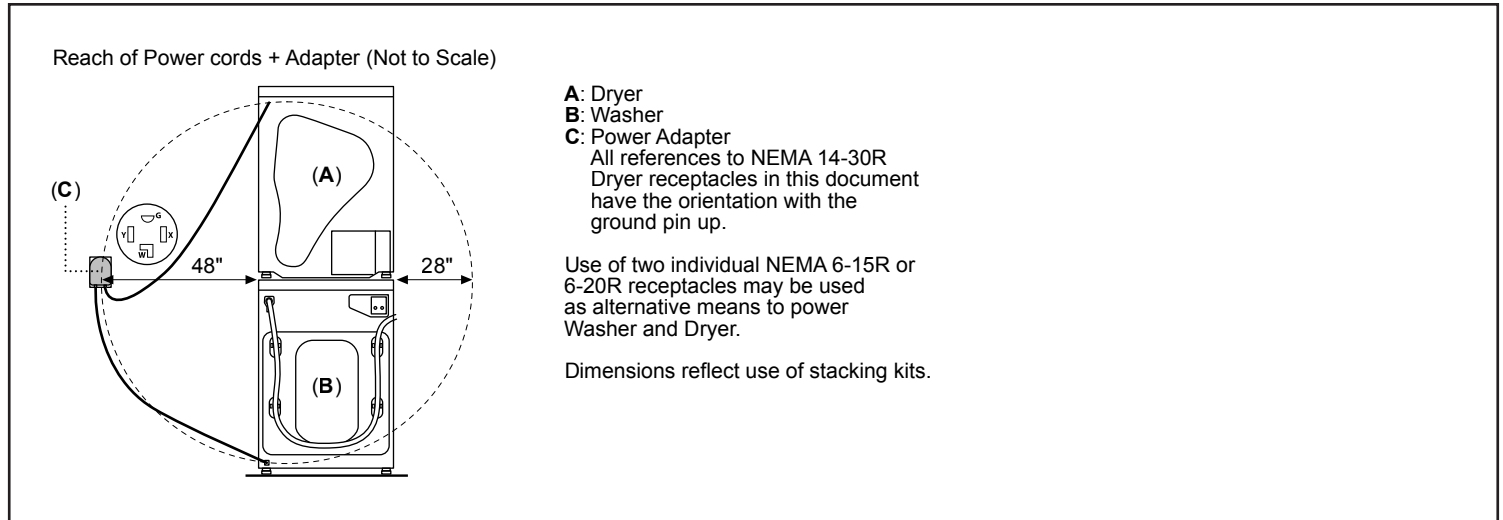
# 24" Compact Condensation Dryer

800 Series Dryer with Home Connect® – WTG865H4UC



**BOSCH**  
Invented for life

## Installation Details



**Accessories:** To purchase Bosch accessories, cleaners & parts please visit [www.bosch-home.com/us/store](http://www.bosch-home.com/us/store) or call 1-800-944-2904 (Mon to Fri 5 am to 6 pm PST, Sat 6 am to 3 pm PST).

**Notes:** All height, width and depth dimensions are shown in inches. BSH reserves the absolute and unrestricted right to change product materials and specifications, at any time, without notice. Consult the product's installation instructions for final dimensional data and other details prior to making cutout.

**Warranties:** Please see Use & Care manual or Bosch website for statement of limited warranty.

**For more information on our entire line of products, go to [www.bosch-home.com/us](http://www.bosch-home.com/us) or call 1-800-944-2904**

© BSH Home Appliances Corporation. All rights reserved. Bosch is a registered trademark of Robert Bosch GmbH.

# 24" Compact Condensation Dryer

800 Series Dryer with Home Connect® – WTG865H4UC

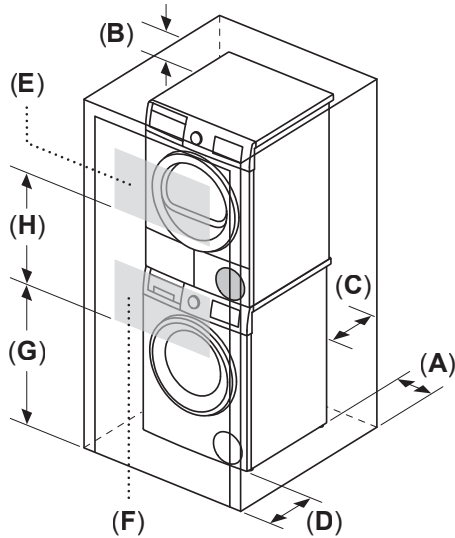


**BOSCH**

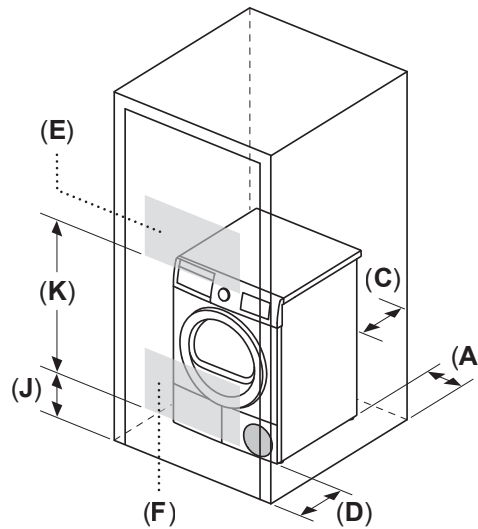
Invented for life

## Installation Details

**Closet: Stacked Washer and Condensation Dryer**



**Closet: Stand Alone (shown) or Side by Side**

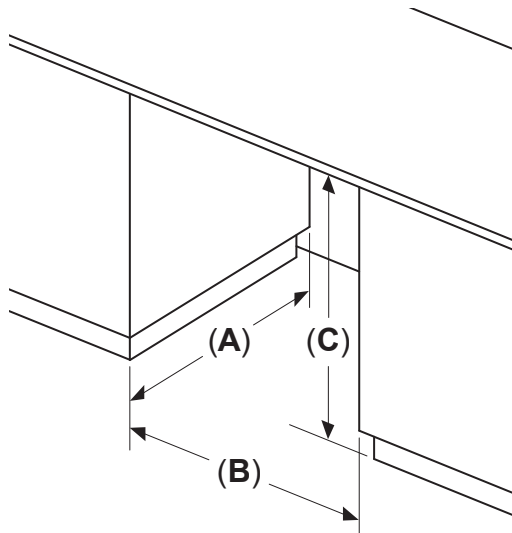


**Minimum clearance requirements**  
(Stacked, Stand Alone or Side by Side):  
A: Both sides (left and right) – 5/8"  
B: Top – 6 1/4"  
C: Rear – 2 1/2"  
D: Front – 2 1/2"

**Minimum louvered area and spacing:**  
E: Top louver area – 63 sq. in.  
F: Bottom louver area – 63 sq. in.  
G: Lower Height (stacked) – 37"  
H: Upper Height (stacked) – 26"  
J: Lower Height (stand alone) – 3"  
K: Upper Height (stand alone) – 29"

For shortest drying times keep closet door open while dryer is operating. When closet doors are closed, open areas only allow minimal drying results (expect long drying times).

**Under Counter (Preferred)**

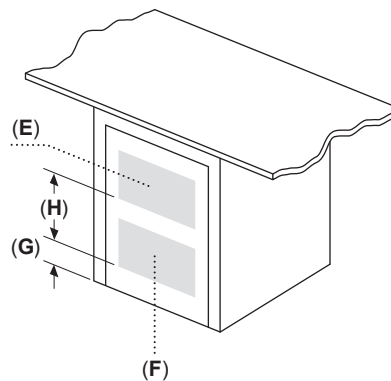


**Minimum opening dimensions:**

- A: Depth – 28"
- B: Width – 23 7/8"
- C: Height – 34 1/2"

Front of appliance fully open.  
No doors or coverings.

**Under Counter Enclosed (Less Preferred)**



If the front of the appliance is covered, louvered openings must be installed as shown and front/rear clearances adhered to according to closet installations.

**Minimum louvered area and spacing:**

- E: Top louver area – 63 sq. in.
- F: Bottom louver area – 63 sq. in.
- G: Lower Height – 3"
- H: Upper Height – 14"

For shortest drying times keep cabinet door open while dryer is operating. When cabinet door is closed, open areas only allow minimal drying results (expect long drying times).

measurements in inches

**Accessories:** To purchase Bosch accessories, cleaners & parts please visit [www.bosch-home.com/us/store](http://www.bosch-home.com/us/store) or call 1-800-944-2904 (Mon to Fri 5 am to 6 pm PST, Sat 6 am to 3 pm PST).

**Notes:** All height, width and depth dimensions are shown in inches. BSH reserves the absolute and unrestricted right to change product materials and specifications, at any time, without notice. Consult the product's installation instructions for final dimensional data and other details prior to making cutout.

**Warranties:** Please see Use & Care manual or Bosch website for statement of limited warranty.

**For more information on our entire line of products, go to [www.bosch-home.com/us](http://www.bosch-home.com/us) or call 1-800-944-2904**

© BSH Home Appliances Corporation. All rights reserved. Bosch is a registered trademark of Robert Bosch GmbH.



## Features and Benefits

- 15 inch pedestal for washer or dryer increases machine height for easy access and includes storage drawer for even more convenience
- This Pedestal Was Designed Specifically for Bosch Washers

Notes: All height, width and depth dimensions are shown in inches. \*Please refer to installation instructions prior to making cutout. BSH reserves the absolute and unrestricted right to change product materials and specifications, at any time, without notice. Consult the product's installation instructions for final dimensional data and other details. Applicable product warranty can be found in a accompanying product literature or you may contact your account manager for further details.

For more information on our entire line of products, go to [boschappliances.com](https://boschappliances.com) or call 1-800-944-2904.  
Copyright ©2023 BSH Home Appliances Corporation. All rights reserved. Bosch is a registered trademark of Robert Bosch GmbH.

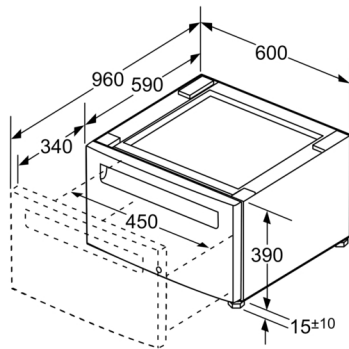
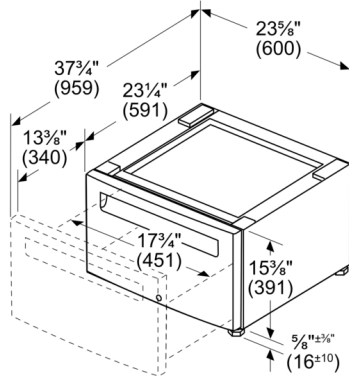
Litho Date: 06/2023

# Pedestal With Drawer for 24" Washer

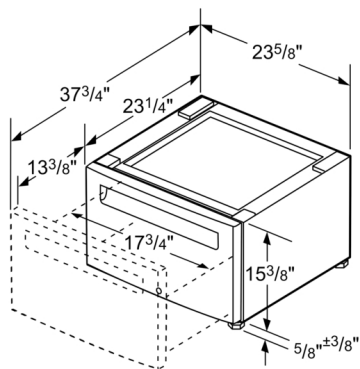


# BOSCH

measurements in inches (mm)



measurements in mm



measurements in inch

## Features

Product group	Accessory
Brand	Bosch
Product name / series name	
SKU	WMZPW20W
Internal article number	00000000017005338
EAN code	4242005255054
Product packaging dimensions (HxWxD)	16.92 x 24.40 x 24.40
Net weight	34.000
Gross weight	42.000
Quantity per packing unit	
Standard number of units per pallet	
UPC code	825225964346
Product image	MCSA00523695_D5068_Perspektivisch_Schublade_

## Technical Specification

Notes: All height, width and depth dimensions are shown in inches. \*Please refer to installation instructions prior to making cutout. BSH reserves the absolute and unrestricted right to change product materials and specifications, at any time, without notice. Consult the product's installation instructions for final dimensional data and other details. Applicable product warranty can be found in a accompanying product literature or you may contact your account manager for further details.

For more information on our entire line of products, go to [boschappliances.com](http://boschappliances.com) or call 1-800-944-2904.

Copyright ©2023 BSH Home Appliances Corporation. All rights reserved. Bosch is a registered trademark of Robert Bosch GmbH.

Litho Date: 06/2023



## Features and Benefits

- 15 inch pedestal for washer or dryer increases machine height for easy access and includes storage drawer for even more convenience
- This Pedestal Was Designed Specifically for Bosch Dryers

Notes: All height, width and depth dimensions are shown in inches. \*Please refer to installation instructions prior to making cutout. BSH reserves the absolute and unrestricted right to change product materials and specifications, at any time, without notice. Consult the product's installation instructions for final dimensional data and other details. Applicable product warranty can be found in a accompanying product literature or you may contact your account manager for further details.

For more information on our entire line of products, go to [boschappliances.com](https://boschappliances.com) or call 1-800-944-2904.  
Copyright ©2023 BSH Home Appliances Corporation. All rights reserved. Bosch is a registered trademark of Robert Bosch GmbH.

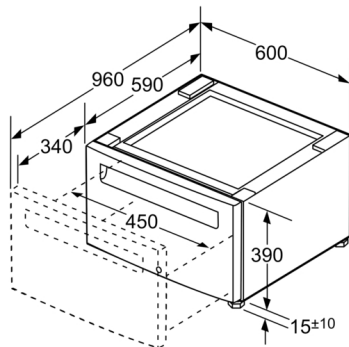
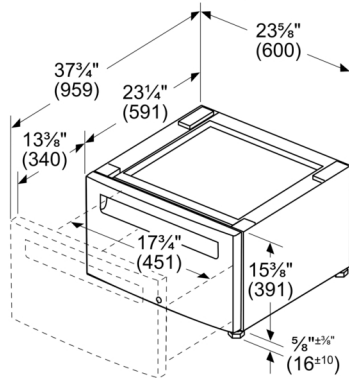
Litho Date: 06/2023

# Pedestal With Drawer for 24" Dryer

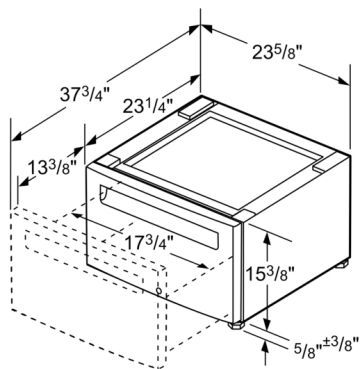


# BOSCH

measurements in inches (mm)



measurements in mm



measurements in inch

## Features

Product group	Accessory
Brand	Bosch
Product name / series name	
SKU	WTZPW20D
Internal article number	00000000017005339
EAN code	4242005255047
Product packaging dimensions (HxWxD)	
Net weight	35.000
Gross weight	44.000
Quantity per packing unit	
Standard number of units per pallet	
UPC code	825225964339
Product image	MCSA00523695_D5068_Perspektivisch_Schublade_

## Technical Specification

Notes: All height, width and depth dimensions are shown in inches. \*Please refer to installation instructions prior to making cutout. BSH reserves the absolute and unrestricted right to change product materials and specifications, at any time, without notice. Consult the product's installation instructions for final dimensional data and other details. Applicable product warranty can be found in a accompanying product literature or you may contact your account manager for further details.

For more information on our entire line of products, go to [boschappliances.com](http://boschappliances.com) or call 1-800-944-2904.

Copyright ©2023 BSH Home Appliances Corporation. All rights reserved. Bosch is a registered trademark of Robert Bosch GmbH.

Litho Date: 06/2023