



## Features and Benefits

- 15 inch pedestal for washer or dryer increases machine height for easy access and includes storage drawer for even more convenience
- This Pedestal Was Designed Specifically for Bosch Washers

Notes: All height, width and depth dimensions are shown in inches. \*Please refer to installation instructions prior to making cutout. BSH reserves the absolute and unrestricted right to change product materials and specifications, at any time, without notice. Consult the product's installation instructions for final dimensional data and other details. Applicable product warranty can be found in a accompanying product literature or you may contact your account manager for further details.

For more information on our entire line of products, go to [boschappliances.com](https://boschappliances.com) or call 1-800-944-2904.  
Copyright ©2023 BSH Home Appliances Corporation. All rights reserved. Bosch is a registered trademark of Robert Bosch GmbH.

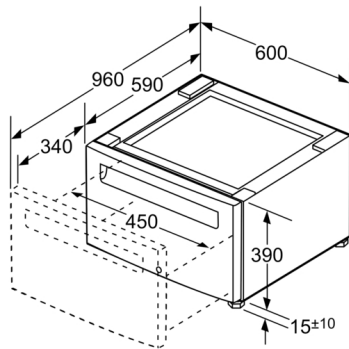
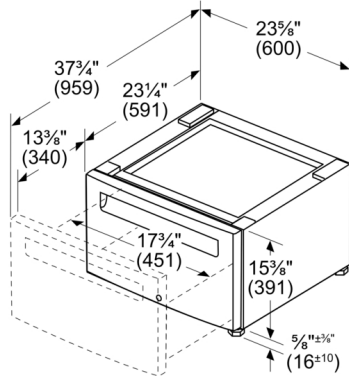
Litho Date: 06/2023

# Pedestal With Drawer for 24" Washer

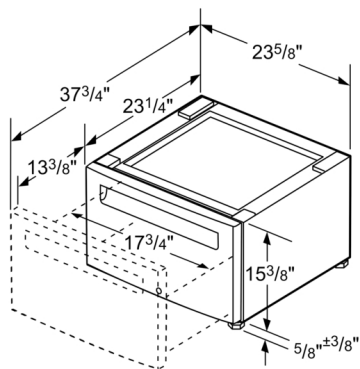


# BOSCH

measurements in inches (mm)



measurements in mm



measurements in inch

## Features

<b>Product group</b>	<b>Accessory</b>
<b>Brand</b>	<b>Bosch</b>
<b>Product name / series name</b>	
<b>SKU</b>	<b>WMZPW20W</b>
<b>Internal article number</b>	<b>00000000017005338</b>
<b>EAN code</b>	<b>4242005255054</b>
<b>Product packaging dimensions (HxWxD)</b>	<b>16.92 x 24.40 x 24.40</b>
<b>Net weight</b>	<b>34.000</b>
<b>Gross weight</b>	<b>42.000</b>
<b>Quantity per packing unit</b>	
<b>Standard number of units per pallet</b>	
<b>UPC code</b>	<b>825225964346</b>
<b>Product image</b>	<b>MCSA00523695_D5068_Perspektivisch_Schublade_</b>

## Technical Specification

Notes: All height, width and depth dimensions are shown in inches. \*Please refer to installation instructions prior to making cutout. BSH reserves the absolute and unrestricted right to change product materials and specifications, at any time, without notice. Consult the product's installation instructions for final dimensional data and other details. Applicable product warranty can be found in a accompanying product literature or you may contact your account manager for further details.

For more information on our entire line of products, go to [boschappliances.com](http://boschappliances.com) or call 1-800-944-2904.  
Copyright ©2023 BSH Home Appliances Corporation. All rights reserved. Bosch is a registered trademark of Robert Bosch GmbH.

Litho Date: 06/2023