

Use and care manual ..... 2  
Manuel d'utilisation et  
d'entretien..... 15  
Manual de uso y cuidado..... 28



DOWNDRAFT HOOD HDD80051UC, HDD86051UC  
HOTTE À TIRAGE DESCENDANT HDD80051UC, HDD86051UC  
CAMPANA DE TIRO DESCENDENTE HDD80051UC, HDD86051UC



---

# Table of Contents

<b>Safety Definitions .....</b>	<b>3</b>
<b>IMPORTANT SAFETY INSTRUCTIONS .....</b>	<b>4</b>
General Notes .....	4
Fire Safety .....	4
Burn Prevention.....	5
Child Safety .....	5
Cleaning Safety .....	6
Safe Use.....	6
Proper Installation and Maintenance.....	6
State of California Proposition 65 Warnings.....	7
<b>Causes For Damages.....</b>	<b>7</b>
<b>Protecting The Environment .....</b>	<b>7</b>
<b>Features.....</b>	<b>8</b>
Raised Intake Housing .....	8
Intake Up / Down Pushbutton.....	8
Blower.....	8
Filters.....	8
<b>Operating the Appliance .....</b>	<b>9</b>
To Raise the Hood Intake Housing.....	9
To Lower the Hood Intake Housing .....	9
If Hood Intake Housing Movement Stops.....	9
Control Blower Speeds.....	9
<b>Cleaning and Maintenance .....</b>	<b>10</b>
Clean Grease Filters.....	10
Clean Intake Housing .....	11
Charcoal Filter Replacement.....	11
Cleaning Agents .....	11
<b>Troubleshooting .....</b>	<b>12</b>
Troubleshooting Tips .....	12
<b>Bosch® Support .....</b>	<b>12</b>
Before Calling Service .....	12
Data Label .....	12
Service.....	12
Parts and Accessories.....	12
<b>STATEMENT OF LIMITED PRODUCT WARRANTY .....</b>	<b>13</b>
What this Warranty Covers & Who it Applies to .....	13
How Long the Warranty Lasts .....	13
Repair/Replace as Your Exclusive Remedy .....	13
Out of Warranty Product.....	14
Warranty Exclusions.....	14

Additional information on products, accessories, replacement parts and services can be found at [www.bosch-home.com](http://www.bosch-home.com) and in the online shop [www.bosch-home.com/us/store](http://www.bosch-home.com/us/store)

---

# Safety Definitions

---

## **▲ WARNING**

---

This indicates that death or serious injuries may occur as a result of non-observance of this warning.

---

## **▲ CAUTION**

---

This indicates that minor or moderate injuries may occur as a result of non-observance of this warning.

---

**NOTICE:** This indicates that damage to the appliance or property may occur as a result of non-compliance with this advisory.

**NOTE:** This alerts you to important information and/or tips.

# **⚠ IMPORTANT SAFETY INSTRUCTIONS**

## **READ AND SAVE THESE INSTRUCTIONS**

---

### **WARNING**

When properly cared for, your new appliance has been designed to be safe and reliable. Read all instructions carefully before use. These precautions will reduce the risk of burns, electric shock, fire, and injury to persons. When using kitchen appliances, basic safety precautions must be followed, including those in the following pages.

### **General notes**

Examine the appliance after unpacking it. In the event of transport damage, do not plug it in.

---

### **WARNING**

TO REDUCE THE RISK OF FIRE, ELECTRIC SHOCK, OR INJURY TO PERSONS, OBSERVE THE FOLLOWING:

- Use this unit only in the manner intended by the manufacturer. If you have questions, contact the manufacturer.
- Before servicing or cleaning unit, switch power off at service panel and lock the service disconnecting means to prevent power from being switched on accidentally. When the service disconnecting means cannot be locked, securely fasten a prominent warning device, such as a tag, to the service panel.

---

### **WARNING**

WARNING – TO REDUCE THE RISK OF FIRE, ELECTRIC SHOCK, OR INJURY TO PERSONS, OBSERVE THE FOLLOWING:

- Installation work and electrical wiring must be done by qualified person(s) in accordance with all applicable codes and standards, including fire-rated construction.
- Sufficient air is needed for proper combustion and exhausting of gases through the flue (chimney) of fuel burning equipment to prevent back drafting. Follow the heating equipment manufacturer's guideline and safety standards such as those published by the National Fire Protection Association (NFPA), and the American Society for Heating, Refrigeration and Air Conditioning Engineers (ASHRAE), and the local code authorities.
- When cutting or drilling into wall or ceiling, do not damage electrical wiring and other hidden utilities.
- Ducted fans must always be vented to the outdoors.

---

This appliance is not intended for operation with an external clock timer or a remote control.

---

### **WARNING**

Tie long hair so that it does not hang loose, and do not wear loose fitting clothing or hanging garments, such as ties, scarves, jewelry, or dangling sleeves.

---

### **Fire Safety**

---

### **WARNING**

To reduce risk of fire and to properly exhaust air, be sure to duct air outside. Do not vent exhaust air into spaces within walls, ceilings, attics, crawl spaces or garages.

---

### **WARNING**

To reduce the risk of fire, use only metal ductwork.

---

Always have a working smoke detector near the kitchen.

---

### **WARNING**

TO REDUCE THE RISK OF A RANGE TOP GREASE FIRE:

- a. Never leave surface units unattended at high settings. Boil overs cause smoking and greasy spillovers that may ignite. Heat oils slowly on low or medium settings.
- b. Always turn hood ON when cooking at high heat.
- c. Clean ventilating fans frequently. Grease should not be allowed to accumulate on fan or filter.
- d. Use proper pan size. Always use cookware appropriate for the size of the surface element.

---

### **CAUTION**

For general ventilating use only. Do not use to exhaust hazardous or explosive materials and vapors.

---

In the event that personal clothing or hair catches fire, drop and roll immediately to extinguish flames. Smother flames from food fires other than grease fires with baking soda. Never use water on cooking fires.

# **⚠ IMPORTANT SAFETY INSTRUCTIONS**

## **READ AND SAVE THESE INSTRUCTIONS**

---

### **WARNING**

TO REDUCE THE RISK OF INJURY TO PERSONS IN THE EVENT OF A RANGE TOP GREASE FIRE, OBSERVE THE FOLLOWING<sup>a</sup>:

- SMOTHER FLAMES with a close-fitting lid, cookie sheet, or metal tray, then turn off the burner. BE CAREFUL TO PREVENT BURNS. If the flames do not go out immediately, EVACUATE AND CALL THE FIRE DEPARTMENT.
- NEVER PICK UP A FLAMING PAN - You may be burned.
- DO NOT USE WATER, including wet dishcloths or towels – a violent steam explosion will result.
- Use an extinguisher ONLY if:
  - You know you have a Class ABC extinguisher, and you already know how to operate it.
  - The fire is small and contained in the area where it started.
  - The fire department is being called
  - You can fight the fire with your back to an exit.

---

<sup>a</sup>Based on “Kitchen Fire Safety Tips” published by NFPA.

Whenever possible, do not operate the ventilation system during a cooktop fire. However, do not reach through fire to turn it off.

---

### **WARNING**

#### **RISK OF FIRE**

When gas burners are in operation without any cookware placed on them, they can build up a lot of heat. A ventilation appliance installed above the cooker may become damaged or catch fire. Only operate the gas burners with cookware on them.

---

### **WARNING**

#### **RISK OF FIRE**

During simultaneous use of multiple gas burners, a great deal of heat is created. A ventilation device located above it can become damaged or catch fire. Never use two gas burners together at maximum heat for longer than 15 minutes. One large burner with over 17,000 Btu/hr (5 kW) (wok) is equal to the wattage of two gas burners.

---

### **WARNING**

#### **RISK OF FIRE**

Hot oil and fat catch fire fast. Never leave hot oil and fat unsupervised. Never extinguish a fire with water. Switch off the cooking position. Suffocate flames carefully with a lid, a fire blanket or similar.

---

### **WARNING**

#### **RISK OF FIRE**

Grease deposits in the grease filter can ignite. Clean the grease filter at least every two months. Never operate the appliance without the grease filter.

---

### **WARNING**

#### **RISK OF FIRE**

Grease deposits in the grease filter can catch fire. Never work with a naked flame near the appliance (e.g. flambéing). Install the unit near a heat-producing appliance for solid fuels (e.g. wood or coal) only if there is a closed, non-detachable cover. There must be no flying sparks.

---

### **Burn Prevention**

---

### **WARNING**

#### **RISK OF BURNS**

The accessible parts get hot during operation. Never touch hot parts. Keep children away.

---

### **Child Safety**

When children become old enough to use the appliance, it is the responsibility of the parents or legal guardians to ensure that they are instructed in safe practices by qualified persons.

Remove all tape and packaging before using the appliance. Destroy the packaging after unpacking the appliance. Never allow children to play with packaging material.

Do not allow anyone to climb, stand, lean, sit, or hang on any part of an appliance, especially a door, warming drawer, or storage drawer. This can damage the appliance, and the unit may tip over, potentially causing severe injury.

Do not allow children to use this appliance unless closely supervised by an adult. Children and pets should not be left alone or unattended in the area where the appliance is in use. They should never be allowed to play in its vicinity, whether or not the appliance is in use.

---

### **CAUTION**

Items of interest to children should not be stored in an appliance, in cabinets above an appliance or on the backsplash. Children climbing on an appliance to reach items could be seriously injured.

# **⚠ IMPORTANT SAFETY INSTRUCTIONS**

## **READ AND SAVE THESE INSTRUCTIONS**

### **Cleaning Safety**

---

#### **WARNING**

---

Be sure the entire appliance has cooled and grease has solidified before attempting to clean any part of the appliance.

---

Do not use steam cleaners to clean the appliance.

### **Safe use**

---

#### **WARNING**

---

Do not repair, replace or remove any part of the appliance unless specifically recommended in the manuals. Improper installation, service or maintenance can cause injury or property damage. Refer to this manual for guidance. All other servicing should be done by a qualified technician.

---

#### **WARNING**

---

##### **RISK OF INJURY**

Items placed on the appliance may fall down. Do not place any objects on the appliance.

---

### **Proper Installation and Maintenance**

Have the installer show you the location of the circuit breaker or fuse. Mark it for easy reference.

This appliance must be properly installed and grounded by a qualified technician. Connect only to properly grounded outlet. Refer to Installation Instructions for details.

This appliance is intended for normal family household use only. It is not approved for outdoor use. See the Statement of Limited Product Warranty. If you have any questions, contact the manufacturer.

Do not store or use corrosive chemicals, vapors, flammables or non food products in or near this appliance. It is specifically designed for use when heating or cooking food. The use of corrosive chemicals in heating or cleaning will damage the appliance and could result in injury.

Do not operate this appliance if it is not working properly, or if it has been damaged. Contact an authorized servicer.

Do not repair or replace any part of the appliance unless specifically recommended in this manual. Refer all servicing to a factory authorized service center.

---

#### **CAUTION**

---

Grease left on filters can melt and move into the vent.

---

---

#### **WARNING**

---

Hidden surfaces may have sharp edges. Use caution when reaching behind or under appliance.

---

#### **WARNING**

---

When the hood is operated in exhaust-air mode simultaneously with a different burner which also makes use of the same chimney (such as gas, oil or coal-fired heaters, continuous-flow heaters, hot-water boilers) care must be taken to ensure that there is an adequate supply of fresh air which will be needed by the burner for combustion.

This can be achieved if combustion air can flow through non-lockable openings, e.g. in doors, windows and via the air-intake/exhaust-air wall box or by other technical measures, such as reciprocal interlocking, etc.

---

---

#### **WARNING**

---

Avoid carbon monoxide poisoning – Provide adequate air intake so combustion gases are not drawn back into the room.

An air-intake/exhaust-air wall box by itself is no assurance that the limiting value will not be exceeded.

**NOTE:** When assessing the overall requirement, the combined ventilation system for the entire household must be taken into consideration. This rule does not apply to the use of cooking appliances, such as cooktops and ovens.

---



## State of California Proposition 65 Warnings

---

### WARNING

---

This product may contain a chemical, known to the State of California, which can cause cancer or reproductive harm. Therefore, the packaging of your product may bear the following label as required by California:

STATE OF CALIFORNIA PROPOSITION 65 WARNING:



**WARNING**

Cancer and Reproductive Harm - [www.P65Warnings.ca.gov](http://www.P65Warnings.ca.gov)

---

## Causes For Damages

---

### ▲ CAUTION

---

Risk of damage due to corrosion. Always turn appliance on when cooking to avoid condensation buildup. Condensation can lead to corrosion damages.

Risk of damage due to moisture entering into the electronic circuitry. Never clean operator controls with a wet cloth.

Surface damage due to incorrect cleaning. Clean stainless steel surfaces in the grain direction only. Do not use any stainless steel cleaners for operator controls. Never use strong or abrasive cleaning agents, since they can cause surface damage.

Risk of damage from condensation back flow. Install exhaust vent at a slight downward slope away from the appliance (1° slope).

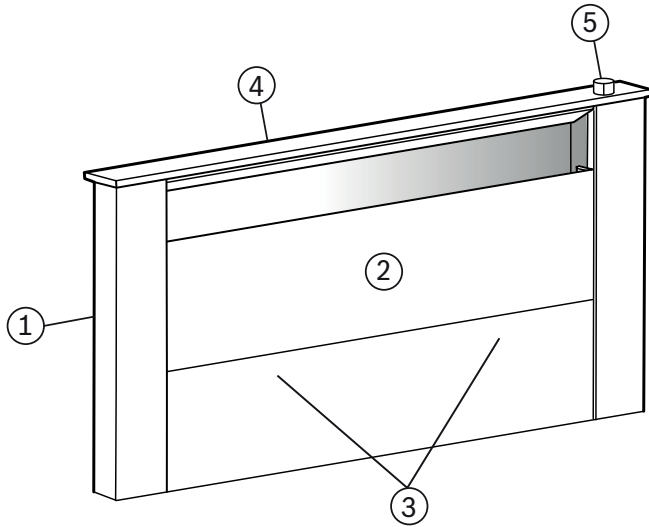
---

## Protecting The Environment

Unpack the appliance and dispose of the packaging in line with environmental requirements.

## Features

The Downdraft Hood takes the place of an overhead hood and can be conveniently hidden away (lowered) when not in use. It has a blower fan that draws the cooking byproducts into the intake housing, through two filters and out of the house or recirculated back into the home with the separate purchase of a recirculation kit.



- ① Raised Intake Housing
- ② Removable Front Panel
- ③ Filters (behind removable front panel)
- ④ Intake Top Cap
- ⑤ Intake Up / Down Pushbutton

### Raised Intake Housing

The intake housing, when raised, captures and channels the cooking odors, steam and grease from the cooktop through two filters located within the intake housing.

The air is cleaned by the filters and conveyed to the building exterior by a series of pipe ducts.

**NOTE:** Ventilation may not exit through an already operational smoke or exhaust chimney, nor a duct used for ventilating furnace installation areas.

If the ventilation is intended to pass through a smoke or exhaust that is not in operation, the responsible area heating inspector must give approval.

If the ventilation passes through an external wall, use a telescopic wall sleeve.

### Intake Up/Down Pushbutton

The UP/DOWN operation of the Downdraft Hood is controlled by the control switch located on the top right side of the intake housing. Press and release the switch button once to raise or lower the Hood Housing.

### Blower

The blower is also controlled by pressing or rotating the control switch on the top right of the intake housing. The blower has four settings: Off, Low, Medium, and High, and will operate whenever the intake housing is in the raised position.

**NOTE:** The intake housing can be lowered without turning the blower switch to the Off position. Press the switch button once to turn the fan Off and lower the intake housing. Press the switch again and the intake housing will raise and the blower will turn On to its previous operating position.

### Filters

The filters are located on the bottom of the intake housing, behind the removable front panel. They condense and trap the grease in the air. Filters include protective film that must be removed before use.

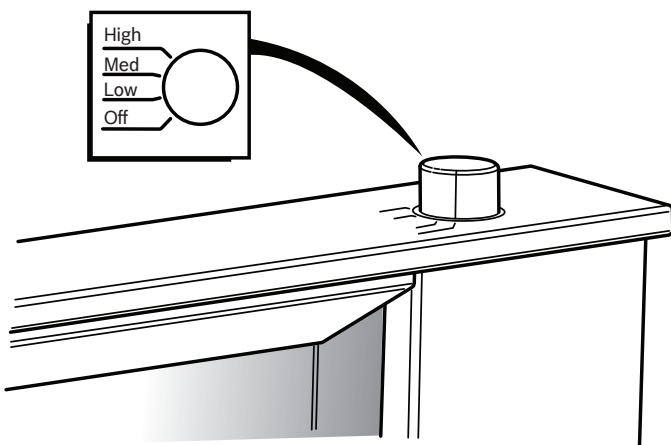


## Operating the Appliance

Always turn the downdraft blower on before you begin cooking to establish an air flow in the kitchen. Let the blower run for a few minutes to clean the air after you turn the cooktop off. This will keep the whole kitchen cleaner and brighter.

It is recommended to use the rear burners when cooking with tall pots or when the cooking method will generate high amounts of smoke or steam. The combination of using the rear burners and operating the unit at high speed will increase the likelihood that all the smoke and steam will be removed by the downdraft.

All functions of the Downdraft Hood are controlled with the control knob on the right side of the top panel.



### To Raise the Hood Intake Housing:

Press and release the control switch.

**NOTE:** If the hood was lowered with the blower in any operating position, it will start and return to the previously set speed when the hood is fully raised.

### To Lower the Hood Intake Housing:

Press and release the control switch.

**NOTE:** If the blower is in operation when the hood is lowered, the blower will shut off before lowering.

### If Hood Intake Housing Movement Stops:

Locate and remove obstruction.

### Control Blower Speeds:

Rotate the control knob to one of four positions

- Off
- Low
- Medium
- High

## Cleaning and Maintenance

The efficiency of the downdraft ventilation system depends on the cleanliness of the intake housing and filters. The frequency of cleaning depends on the amount and type of cooking.

Always use the mildest cleaner that will do the job. Use clean, soft cloths or sponges only.

Use all products according to package directions.

Rub stainless steel finishes in the direction of the grain. Wipe area dry to avoid water marks.

After cleaning, place all parts in their proper positions before using.

Do not use the ventilating system without the filters in place or with grease-laden filters or surfaces.

Do not use steam cleaners to clean the appliance.

Hidden surfaces may have sharp edges. Use caution when reaching behind or under appliance.

---

### ⚠ WARNING

**To avoid risk of fire and explosion do not use flammable liquids or solvents. Always unplug or disconnect the appliance from the power supply before servicing.**

---

---

### ⚠ WARNING

**RISK OF BURNS**  
The appliance will become hot when in use. Let cool before cleaning.

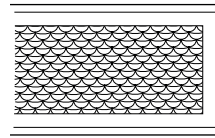
---

---

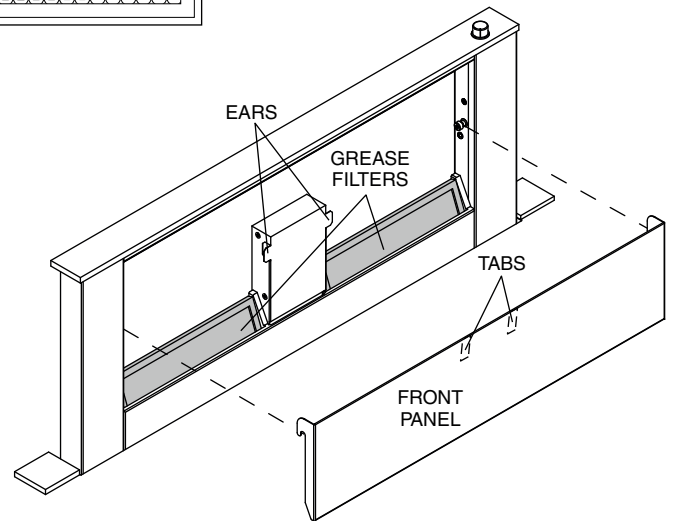
### ⚠ WARNING

**RISK OF ELECTRIC SHOCK**  
Moisture penetration can cause electric shock. Only clean appliance with a damp cloth. Prior to cleaning, pull the plug or flip the breaker in the fusebox.

---



For best performance: Replace grease filters with half-moon openings facing out - and in orientation shown.



## Clean Grease Filters:

To remove front panel, lift the panel up and pivot out at an angle. The panel can be removed fully.

Once the front panel is removed, take out the (2) grease filters.

---

### ⚠ WARNING

#### RISK OF FIRE

**Grease deposits in the grease filters can ignite. Clean the grease filters at least every two months or as frequently as necessary. Never operate the appliance without the grease filters.**

---

## NOTES:

- DO NOT use any aggressive, acidic or alkaline cleaning agents.
- DO NOT use abrasive products such as steel wool.
- DO NOT use cellulose sponges. Some sponges are processed with salt and can cause corrosion by leaving salt deposits on the metal.
- DO NOT allow any cleaning compounds to remain in contact with stainless steel for extended periods.
- DO NOT USE CHLORINE-BASED CLEANERS.
- When cleaning the grease filters, also clean the metal grease filter holder in the appliance with a moist cloth.
- Clean all-metal filters in the dishwasher using a non-phosphate detergent. Discoloration of the filters may occur if using phosphate detergents, or as a result of local water conditions - but this will not affect filter performance. This discoloration is not covered by the warranty. To minimize or prevent discoloration, hand wash filters using a mild detergent.

## In the dishwasher:

**NOTE:** Slight discoloration is possible when cleaning the grease filters in the dishwasher. This is normal and does not affect the performance of the grease filters.

- Do not clean extremely dirty grease filters with dishes.
- Loosely position the grease filters in the top rack of the dishwasher. Wash the filters through on Normal cycle. The grease filters must not be jammed in.

Replace filters and front panel before using downdraft. Make sure that the filters are seated properly.

To replace the front panel, align the brackets at the bottom and pivot the panel inwards until it sits in place or the TABS are engaged.

---

### ⚠ CAUTION

**Failure to engage tabs properly may cause chimney to jam and fail to raise up.**

---

## By hand:

**NOTE:** You can use a degreaser if soiling is stubborn. You can order it via the online shop.

- Soak the grease filters in warm soapy water for 10-15 minutes using a mild detergent.
- Use a brush for cleaning and then rinse the filters well.
- Allow the grease filters to drip dry completely before placing them back into the downdraft.

Clean and dry intake housing, then reinstall or replace filters before using downdraft.

## Clean Intake Housing:

- Pull front panel up and out.
- Remove both filters.
- Use a mild detergent. **DO NOT USE ABRASIVE CLOTH, STEEL WOOL PADS, OR SCOURING POWDERS.**
- Clean and reinstall or replace both filters and install front panel before using downdraft.

**NOTICE:** The use of brand names is intended only to indicate a type of cleaner. This does not constitute an endorsement. The omission of any brand name cleaner does not imply its adequacy or inadequacy. Many products are regional in distribution and can be found in the local markets. It is imperative that all products be used in strict accordance with instructions on the package.

**NOTE:** Do not use cooktop while hood is disassembled.

## Charcoal Filter Replacement

It is recommended that you replace the recirculation filter every 6 months. However, this may vary, depending upon the type and amount of cooking you do.

To change the charcoal filter, remove the decorative cover plate (on toe kick or base of the cabinet) and replace the charcoal filter by a new one, part number HDDFILTUC. Reinstall the decorative cover plate.

## Cleaning Agents

To prevent various surfaces from becoming damaged due to incorrect cleaning agents, follow the specifications given in the table. Do not use:

- cleaning agents that are harsh or scouring,
- cleaning agents with high alcohol content,
- hard scouring pads or sponges,
- high-pressure cleaners or steam cleaners.

Rub stainless steel finishes in the direction of the grain. Wipe area dry to avoid water marks.

After cleaning, place all parts in their proper positions before using.

Thoroughly rinse all new sponges before use. Observe all instructions and warnings accompanying cleaning agents.

Area	Cleaning agents
Stainless steel	Warm soapy water: Clean with a dish rag and dry with a soft towel.  Only clean stainless steel with the grain.  Specific products for stainless steel care are available from customer service or from specialized retailers. Apply a thin layer of the care product with a soft cloth.
Varnished surfaces	Warm soapy water: Clean with a damp dish rag and dry with a soft towel.  Do not use stainless steel cleaner.
Aluminum and plastic	Glass cleaner: Clean with a soft cloth.
Glass	Glass cleaner: Clean with a soft cloth. Do not use a glass scraper.
Controls	Warm soapy water: Clean with a damp dish rag and dry with a soft towel.  Risk of damage to electronics due to moisture penetration. Never clean controls with a wet cloth.  Do not use stainless steel cleaner.

# Troubleshooting

You can often easily eliminate problems that may occur on your own. Before calling customer service, take into account the following information.

## ▲ WARNING

### RISK OF ELECTRIC SHOCK

**Improper repairs are dangerous. Only an authorized servicer may perform repairs and may replace damaged wiring. Unplug the appliance or switch power off at the service panel if the appliance needs servicing. Call an authorized servicer.**

## Toubleshooting Tips:

- If the downdraft stops working, check the power cord and the connections to the electrical boxes, a connection may have come loose.
- If the downdraft unit stops working or the unit malfunctions, unplug the unit, wait 30 seconds, and plug it back in to reset.
- If gas burners click or go out on low when the downdraft is operating, check that the blower and ductwork below are properly sealed.
- If the front cover rattles, slide it left or right. The tolerance is to allow for heating and simple removal.
- If an obstruction is placed into the unit, the safety mechanism will activate. Remove the obstruction and the unit should reset.

# Bosch® Support

## Before Calling Service

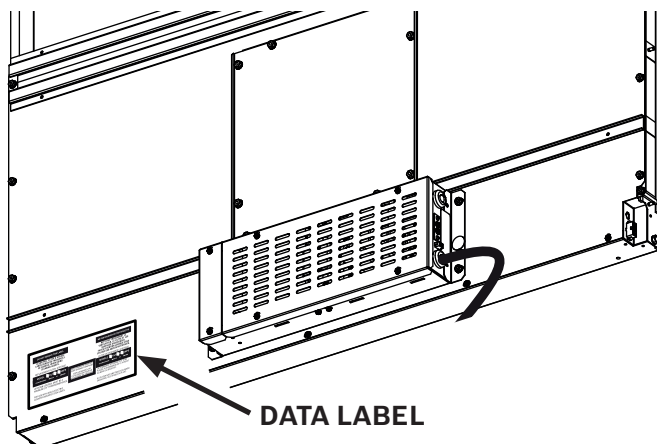
See the Use and Care Manual for troubleshooting information. Refer to the “Statement of Limited Product Warranty” on the next page.

To reach a service representative, see the contact information at the front of the manual. Please be prepared with the information printed on your product data label when calling.

## Data Label

The data label shows the model and serial number. Refer to the data label on the appliance when requesting service.

The data label can be found on the front / lower / left of the downdraft housing.



To avoid having to search for each piece of information when calling, you can enter the four items needed in the spaces below.

Model No.	
Serial No.	
Date of Purchase	
Customer Service No.	

Keep your invoice or escrow papers for warranty validation if service is needed.

## Service

We realize that you have made a considerable investment in your kitchen. We are dedicated to supporting you and your appliance so that you have many years of creative cooking.

Please don't hesitate to contact our Customer Support Department if you have any questions of in the unlikely event that you Bosch® appliance needs service. Our service team is ready to assist you.

**USA** 800-944-2904 [www.bosch-home.com/us/support](http://www.bosch-home.com/us/support)  
**Canada** 800-944-2904 [www.bosch-home.ca/en/support](http://www.bosch-home.ca/en/support)

## Parts and Accessories

Parts, filters, descalers, stainless steel cleaners and more can be purchased in the Bosch® eShop or by phone.

**USA** [www.bosch-home.com/us/store](http://www.bosch-home.com/us/store)  
**Canada** Marcone 800-482-6022 or Reliable Parts 800-941-9217

---

# STATEMENT OF LIMITED PRODUCT WARRANTY

## What this Warranty Covers & Who it Applies to

The limited warranty provided by BSH Home Appliances Corporation (“BSH”) in this Statement of Limited Product Warranty applies only to the Bosch appliance (“Product”) sold to you, the first using purchaser, provided that the Product was purchased:

- For your normal, household (non-commercial) use, and has in fact at all times only been used for normal household purposes.
- New at retail (not a display, “as is”, or previously returned model), and not for resale, or commercial use.
- Within the United States or Canada, and has at all times remained within the country of original purchase.

The warranties stated herein apply to the original purchaser of the product warranted herein and to each succeeding owner of the product purchased for ordinary home use during the term of the warranty.

BSH reserves the right to request proof of purchase at the time any warranty claim is submitted to confirm that the Product falls within the scope of this limited product warranty.

Please make sure to return your registration card; while not necessary to effectuate warranty coverage, it is the best way for BSH to notify you in the unlikely event of a safety notice or product recall.

## How Long the Warranty Lasts

BSH warrants that the Product is free from defects in materials and workmanship for a period of three hundred sixty-five (365) days from the date of purchase. The foregoing timeline begins to run upon the date of purchase, and shall not be stalled, tolled, extended, or suspended, for any reason whatsoever.

This Product is also warranted to be free from cosmetic defects in material and workmanship (such as scratches of stainless steel, paint/porcelain blemishes, chip, dents, or other damage to the finish) of the Product, for a period of thirty (30) days from the date of purchase or closing date for new construction. This cosmetic warranty excludes slight color variations due to inherent differences in painted and porcelain parts, as well as differences caused by kitchen lighting, product location, or other similar factors. This cosmetic warranty specifically excludes any display, floor, “As Is”, or “B” stock appliances.

## Repair/Replace as Your Exclusive Remedy

During this warranty period, BSH or one of its authorized service providers will repair your Product without charge to you (subject to certain limitations stated herein) if your Product proves to have been manufactured with a defect in materials or workmanship. If reasonable attempts to repair the Product have been made without success, then BSH will replace your Product (upgraded models may be available to you, in BSH’s sole discretion, for an additional charge). All removed parts and components shall become the property of BSH at its sole option. All replaced and/or repaired parts shall assume the identity of the original part for purposes of this warranty and this warranty shall not be extended with respect to such parts. BSH’s sole liability and responsibility hereunder is to repair manufacturer-defective Product only, using a BSH-authorized service provider during normal business hours. For safety and property damage concerns, BSH highly recommends that you do not attempt to repair the Product yourself, or use an unauthorized servicer; BSH will have no responsibility or liability for repairs or work performed by a non-authorized servicer. If you choose to have someone other than an authorized service provider work on your Product, THIS WARRANTY WILL AUTOMATICALLY BECOME NULL AND VOID. Authorized service providers are those persons or companies that have been specially trained on BSH products, and who possess, in BSH’s opinion, a superior reputation for customer service and technical ability (note that they are independent entities and are not agents, partners, affiliates or representatives of BSH). Notwithstanding the foregoing, BSH will not incur any liability, or have responsibility, for the Product if it is located in a remote area (more than 100 miles from an authorized service provider) or is reasonably inaccessible, hazardous, threatening, or treacherous locale, surroundings, or environment; in any such event, if you request, BSH would still pay for labor and parts and ship the parts to the nearest authorized service provider, but you would still be fully liable and responsible for any travel time or other special charges by the service company, assuming they agree to make the service call.



## Out of Warranty Products

BSH is under no obligation, at law or otherwise, to provide you with any concessions, including repairs, prorates, or Product replacement, once this warranty has expired.

## Warranty Exclusions

The warranty coverage described herein excludes all defects or damage that are not the direct fault of BSH, including without limitation, one or more of the following:

- Use of the Product in anything other than its normal, customary and intended manner (including without limitation, any form of commercial use, use or storage of an indoor product outdoors, use of the Product in conjunction with air or water-going vessels).
- Any party's willful misconduct, negligence, misuse, abuse, accidents, neglect, improper operation, failure to maintain, improper or negligent installation, tampering, failure to follow operating instructions, mishandling, unauthorized service (including selfperformed "fixing" or exploration of the appliance's internal workings).
- Adjustment, alteration or modification of any kind.
- A failure to comply with any applicable state, local, city, or county electrical, plumbing and/or building codes, regulations, or laws, including failure to install the product in strict conformity with local fire and building codes and regulations.
- Ordinary wear and tear, spills of food, liquid, grease accumulations, or other substances that accumulate on, in, or around the Product.
- Any external, elemental and/or environmental forces and factors, including without limitation, rain, wind, sand, floods, fires, mud slides, freezing temperatures, excessive moisture or extended exposure to humidity, lightning, power surges, structural failures surrounding the appliance, and acts of God.

In no event shall BSH have any liability or responsibility whatsoever for damage to surrounding property, including cabinetry, floors, ceilings, and other structures or objects around the Product. Also excluded from this warranty are: Products on which the serial numbers have been altered, defaced, or removed; service visits to teach you how to use the Product, or visits where there is nothing wrong with the Product; correction of installation problems (you are solely responsible for any structure and setting for the Product, including all electrical, plumbing or other connecting facilities, for proper foundation/flooring, and for any alterations including without limitation cabinetry, walls, floors, shelving, etc.); and resetting of breakers or fuses.

TO THE EXTENT ALLOWED BY LAW, THIS WARRANTY SETS OUT YOUR EXCLUSIVE REMEDIES WITH RESPECT TO PRODUCT, WHETHER THE CLAIM ARISES IN CONTRACT OR TORT (INCLUDING STRICT LIABILITY, OR NEGLIGENCE) OR OTHERWISE. THIS WARRANTY IS IN LIEU OF ALL OTHER WARRANTIES, WHETHER EXPRESS OR IMPLIED. ANY WARRANTY IMPLIED BY LAW, WHETHER FOR MERCHANTABILITY OR FITNESS FOR A PARTICULAR PURPOSE, OR OTHERWISE, SHALL BE EFFECTIVE ONLY FOR THE PERIOD THAT THIS EXPRESS LIMITED WARRANTY IS EFFECTIVE. IN NO EVENT WILL THE MANUFACTURER BE LIABLE FOR CONSEQUENTIAL, SPECIAL, INCIDENTAL, INDIRECT, "BUSINESS LOSS", AND/OR PUNITIVE DAMAGES, LOSSES, OR EXPENSES, INCLUDING WITHOUT LIMITATION TIME AWAY FROM WORK, HOTELS AND/OR RESTAURANT MEALS, REMODELLING EXPENSES IN EXCESS OF DIRECT DAMAGES WHICH ARE DEFINITELY CAUSED EXCLUSIVELY BY BSH, OR OTHERWISE. SOME STATES DO NOT ALLOW THE EXCLUSION OR LIMITATION OF INCIDENTAL OR CONSEQUENTIAL DAMAGES, AND SOME STATES DO NOT ALLOW LIMITATIONS ON HOW LONG AN IMPLIED WARRANTY LASTS, SO THE ABOVE LIMITATIONS MAY NOT APPLY TO YOU. THIS WARRANTY GIVES YOU SPECIFIC LEGAL RIGHTS, AND YOU MAY ALSO HAVE OTHER RIGHTS WHICH VARY FROM STATE TO STATE.

No attempt to alter, modify or amend this warranty shall be effective unless authorized in writing by an officer of BSH.

# Table des matières

<b>Sécurité - Définitions.....</b>	<b>16</b>
<b>CONSIGNES DE SÉCURITÉ IMPORTANTES.....</b>	<b>17</b>
Généralités .....	17
Sécurité incendie.....	17
Prévention des brûlures.....	18
Sécurité de l'enfant.....	18
Sécurité lors du nettoyage.....	19
Utilisation sécuritaire .....	19
Installation adéquate et entretien .....	19
Avertissements relatifs à la proposition 65 de l'État de Californie .....	20
<b>Causes de dommages.....</b>	<b>20</b>
<b>Protection de l'environnement.....</b>	<b>20</b>
<b>Caractéristiques .....</b>	<b>21</b>
Boîtier d'admission relevé .....	21
Bouton-poussoir de montée et descente de l'admission.....	21
Ventilateur.....	21
Filtres.....	21
<b>Utilisation de l'appareil .....</b>	<b>22</b>
Pour monter le boîtier d'admission de la hotte .....	22
Pour descendre le boîtier d'admission de la hotte.....	22
En cas d'arrêt du mouvement du boîtier d'admission du ventilateur .....	22
Pour commander la vitesse du ventilateur .....	22
<b>Nettoyage et entretien.....</b>	<b>23</b>
Pour nettoyer les filtres à graisses .....	23
Nettoyage du boîtier d'admission .....	24
Remplacement du filtre au charbon.....	24
Nettoyants .....	24
<b>Dépannage .....</b>	<b>25</b>
Conseils de dépannage.....	25
<b>Assistance Bosch®.....</b>	<b>25</b>
Avant d'appeler le service à la clientèle .....	25
Étiquette signalétique .....	25
Service.....	25
Pièces et accessoires.....	25
<b>DÉCLARATION DE GARANTIE LIMITÉE DU PRODUIT ..</b>	<b>26</b>
Ce que couvre cette garantie et à qui elle s'applique.....	26
Durée de la garantie .....	26
Votre seul recours est une réparation ou un remplacement.....	26
Produits hors garantie .....	27
Exclusions de garantie .....	27

Pour tout complément d'information sur les produits, les accessoires, les pièces de rechange et les service, consultez [www.bosch-home.com](http://www.bosch-home.com) et la boutique en ligne [www.bosch-home.com/us/store](http://www.bosch-home.com/us/store)



---

# Sécurité - Définitions

---

## ▲ AVERTISSEMENT

Ceci indique que le non-respect de cet avertissement peut causer des blessures graves ou la mort.

---

---

## ▲ ATTENTION

Ceci indique que le non-respect de cet avertissement peut causer des blessures légères ou modérées.

---

**AVIS:** Ceci indique que le non-respect de cet avertissement peut entraîner des dommages matériels.

**REMARQUE:** Ceci vous avertit de renseignements ou conseils importants.

# **⚠ CONSIGNES DE SÉCURITÉ IMPORTANTES**

## **LISEZ CES DIRECTIVES ET CONSERVEZ-LES**

---

### **AVERTISSEMENT**

Lorsqu'il est bien entretenu, votre nouvel appareil est conçu pour être sécuritaire et fiable. Lisez attentivement ces instructions avant d'utiliser l'appareil. Ces précautions réduiront les risques de brûlures, de chocs électriques, d'incendie et de blessures. Lorsque vous utilisez des appareils électroménagers, il est indispensable de suivre des précautions de sécurité de base, notamment celles indiquées dans les pages suivantes.

### **Généralités**

Inspectez l'appareil après l'avoir déballé. S'il a été endommagé durant le transport, ne le branchez pas.

---

### **AVERTISSEMENT**

OBSERVEZ LES DIRECTIVES CI-DESSOUS AFIN DE RÉDUIRE LES RISQUES D'INCENDIE, DE CHOC ÉLECTRIQUE OU DE BLESSURES CORPORELLES:

- N'utilisez cet appareil que de la manière prévue par le fabricant. Si vous avez des questions, communiquez avec le fabricant.
- Avant de procéder à l'entretien ou au nettoyage de l'appareil, coupez l'alimentation du panneau électrique et verrouillez l'interrupteur principal afin d'empêcher que le courant ne soit accidentellement rétabli. S'il est impossible de verrouiller l'interrupteur principal, fixez solidement un message d'avertissement, par exemple une étiquette, sur le panneau électrique.

---

### **AVERTISSEMENT**

AVERTISSEMENT – OBSERVEZ LES DIRECTIVES CI-DESSOUS AFIN DE RÉDUIRE LES RISQUES D'INCENDIE, DE CHOC ÉLECTRIQUE OU DE BLESSURES CORPORELLES:

- La pose de l'appareil et les travaux d'électricité doivent être effectués par des personnes qualifiées en respectant la réglementation en vigueur, notamment les codes et les normes de la construction ayant trait à la protection contre les incendies.
- Pour éviter les refoulements, l'apport d'air doit être suffisant pour brûler les gaz produits par les appareils à combustion et les évacuer dans le conduit de fumée (cheminée). Respectez les directives du fabricant de l'appareil de chauffage et les normes de sécurité, notamment celles publiées par la National Fire Protection Association (NFPA), l'American Society for Heating, Refrigeration and Air Conditioning Engineers (ASHRAE) et les codes des autorités locales.
- Veillez à ne pas endommager le câblage électrique ou d'autres équipements non apparents lors de la découpe ou du perçage du mur ou du plafond.
- Les ventilateurs avec conduits doivent toujours rejeter l'air à l'extérieur.

Cet appareil n'est pas prévu pour fonctionner avec une minuterie externe ou une télécommande.

---

### **AVERTISSEMENT**

Attachez les cheveux longs pour qu'ils ne pendent pas, et ne portez pas de vêtements amples ou d'accessoires tels que des cravates, des foulards, des bijoux ou des vêtements à manches évasées.

---

### **Sécurité incendie**

---

#### **AVERTISSEMENT**

Pour réduire les risques d'incendie et évacuer l'air correctement, assurez-vous qu'il est évacué à l'extérieur. N'évacuez pas l'air dans des espaces enfermés par des murs ou un plafond ou dans un grenier, un vide sanitaire ou un garage.

---

#### **AVERTISSEMENT**

Pour réduire les risques d'incendie, utilisez seulement des conduits en métal.

Ayez toujours un détecteur de fumée fonctionnel près de la cuisine.

---

#### **AVERTISSEMENT**

POUR RÉDUIRE LES RISQUES D'INCENDIE CAUSÉS PAR DE LA GRAISSE SUR LE PLAN DE CUISSON:

- a. Ne laissez jamais sans surveillance les éléments de surface fonctionnant à haute température. Les débordements peuvent causer de la fumée et occasionner des écoulements de graisse inflammables. L'huile doit être chauffée graduellement à basse ou à moyenne température.
- b. Mettez toujours la hotte EN MARCHE lorsque vous cuisinez à haute température.
- c. Nettoyez souvent la hotte. Ne laissez pas la graisse s'accumuler sur le ventilateur ou les filtres.
- d. Utilisez des casseroles de dimension appropriée. Utilisez toujours une batterie de cuisine adaptée à la dimension de la surface chauffante.

---

#### **ATTENTION**

Pour ventilation générale uniquement. N'utilisez pas cet appareil pour évacuer des matières ou des vapeurs dangereuses ou explosives.

Si vos vêtements ou vos cheveux prennent feu, roulez-vous par terre immédiatement pour éteindre les flammes.  
Étouffez les flammes des incendies d'aliments autres que des feux de graisse avec du bicarbonate de soude. N'utilisez jamais de l'eau sur un feu de cuisine.

# **⚠ CONSIGNES DE SÉCURITÉ IMPORTANTES**

## **LISEZ CES DIRECTIVES ET CONSERVEZ-LES**

---

### **AVERTISSEMENT**

OBSERVEZ LES CONSIGNES SUIVANTES DE MANIÈRE À RÉDUIRE LES RISQUES DE BLESSURES CORPORELLES EN CAS D'INCENDIE CAUSÉ PAR DE LA GRAISSE SUR LE PLAN DE CUISSON<sup>a</sup>:

- ÉTOUFFEZ LES FLAMMES à l'aide d'un couvercle étanche, d'une tôle à biscuits ou d'un plateau en métal puis éteignez le brûleur. FAITES ATTENTION DE NE PAS VOUS BRÛLER. Si les flammes ne s'éteignent pas immédiatement, QUITTEZ LES LIEUX ET APPELEZ LES POMPIERS.
- NE SOULEVEZ JAMAIS UNE CASSEROLE EN FLAMMES - vous pourriez vous brûler.
- N'UTILISEZ PAS D'EAU, ni de serviettes ou de linges mouillés – une violente explosion de vapeur pourrait survenir.
- Utilisez un extincteur SEULEMENT si:
  - Vous savez qu'il est de classe ABC et vous connaissez déjà son mode de fonctionnement;
  - Le feu n'est pas très important et ne se propage pas;
  - Les pompiers ont été avisés;
  - Vous pouvez combattre l'incendie en faisant dos à une sortie.

---

<sup>a</sup> Conseils tirés de la publication de la NFPA « Kitchen Fire Safety Tips ».

Dans la mesure du possible, n'utilisez pas le système de ventilation en cas de feu sur la surface de cuisson. Cependant, ne traversez pas le feu pour l'éteindre.

---

### **AVERTISSEMENT**

#### **RISQUE D'INCENDIE**

Lorsque les brûleurs à gaz sont actionnés sans aucun ustensile de cuisine placé dessus, ils peuvent produire une chaleur intense. Un appareil de ventilation installé au-dessus de la cuisinière peut être endommagé ou prendre feu. N'utilisez les brûleurs à gaz que lorsque des ustensiles de cuisine sont placés dessus.

---

### **AVERTISSEMENT**

#### **RISQUE D'INCENDIE**

L'utilisation simultanée de plusieurs brûleurs à gaz produit une grande quantité de chaleur. Un appareil de ventilation installé au-dessus de la cuisinière peut être endommagé ou prendre feu. N'utilisez jamais deux brûleurs à gaz à la fois à température maximum pendant plus de 15 minutes. La puissance d'un grand brûleur de plus de 17 000 Btu/h (5 kW) (wok) est égale à celle de deux brûleurs à gaz.

---

### **AVERTISSEMENT**

#### **RISQUE D'INCENDIE**

L'huile et la graisse chaudes prennent feu rapidement. Ne laissez jamais de l'huile et de la graisse chaudes sans

surveillance. N'éteignez jamais un feu avec de l'eau. Éteignez l'élément de cuisson. Éteignez prudemment les flammes à l'aide d'un couvercle, d'une couverture pare-feu ou d'un accessoire similaire.

---

### **AVERTISSEMENT**

#### **RISQUE D'INCENDIE**

Les dépôts de graisse dans les filtres à graisses peuvent prendre feu. Nettoyez les filtres à graisses au moins tous les deux mois. N'utilisez jamais l'appareil sans filtre à graisses.

---

### **AVERTISSEMENT**

#### **RISQUE D'INCENDIE**

Les dépôts de graisse dans le filtre à graisses peuvent s'enflammer. Ne travaillez jamais avec des flammes nues près de l'appareil (par ex. pour des flambés). N'installez l'unité près d'un appareil qui produit de la chaleur avec des combustibles solides (par ex. du bois ou charbon) qu'en présence d'un couvercle fermé et fixe. Il ne doit pas y avoir production d'étincelles.

---

## **Prévention des brûlures**

---

### **AVERTISSEMENT**

#### **RISQUE DE BRÛLURES**

Les pièces accessibles chauffent en cours d'utilisation. Ne touchez jamais les pièces chaudes. Éloignez les enfants.

---

## **Sécurité de l'enfant**

Lorsque des enfants sont en âge d'utiliser l'appareil, il incombe aux parents ou aux tuteurs légaux de veiller à ce que des personnes qualifiées leur enseignent les pratiques sécuritaires.

Enlevez tous les rubans adhésifs et l'emballage avant d'utiliser l'appareil. Détruisez l'emballage une fois l'appareil déballé. Ne laissez jamais les enfants jouer avec le matériel d'emballage.

Ne laissez personne monter, se tenir debout, se pencher, s'asseoir sur l'appareil ou se pendre à une pièce de l'appareil, en particulier à une porte, un tiroir chauffe-plats ou un tiroir de rangement au risque d'endommager l'appareil ou de causer de graves blessures si l'unité bascule.

Ne laissez pas les enfants utiliser cet appareil à moins qu'ils ne soient étroitement surveillés par un adulte. Ne laissez jamais des enfants ou animaux domestiques seuls ou sans surveillance à proximité de cet appareil lors de son utilisation. Ils ne doivent jamais être autorisés à jouer à proximité de l'appareil, que celui-ci soit ou non en marche.

---

### **ATTENTION**

Les objets susceptibles d'intéresser les enfants ne doivent pas être rangés dans un appareil, dans les armoires situées au-dessus d'un appareil ni sur le dossier. Les enfants qui grimpent sur un appareil pour attraper des objets pourraient être grièvement blessés.

# CONSIGNES DE SÉCURITÉ IMPORTANTES

## LISEZ CES DIRECTIVES ET CONSERVEZ-LES

### Sécurité lors du nettoyage

---

#### AVERTISSEMENT

Assurez-vous que l'ensemble de l'appareil a refroidi et que la graisse est solidifiée avant de nettoyer les pièces de l'appareil.

N'utilisez pas de nettoyeurs à vapeur pour nettoyer l'appareil.

### Utilisation sécuritaire

---

#### AVERTISSEMENT

Ne réparez ou ne remplacez aucune pièce de l'appareil à moins que ce manuel ne le recommande spécifiquement. Une installation, une réparation ou un entretien incorrectement réalisé peut causer des blessures ou des dommages matériels. Consultez ce manuel pour des conseils. Tout autre travail de réparation doit être confié à un technicien qualifié.

---

#### AVERTISSEMENT

##### RISQUE DE BLESSURE

Les objets placés sur l'appareil risquent de tomber. Ne placez rien sur l'appareil.

### Installation adéquate et entretien

Demandez à l'installateur de vous indiquer l'emplacement du disjoncteur ou du fusible. Marquez-le pour le repérer facilement.

Faites appel à un technicien qualifié pour installer correctement l'appareil et effectuer la mise à la terre. Branchez-le uniquement à une prise correctement mise à la terre. Consultez les instructions d'installation pour obtenir plus de détails.

Cet appareil est prévu pour une utilisation normale dans un foyer uniquement. Il n'est pas homologué pour une utilisation à l'extérieur. Consultez l'avis de garantie limitée du produit. Si vous avez des questions, communiquez avec le fabricant.

N'utilisez et ne rangez pas des produits chimiques corrosifs, des produits émettant des vapeurs, des produits inflammables ou des produits non alimentaires dans ou à proximité de l'appareil. Il est spécialement conçu pour être utilisé durant le réchauffage ou la cuisson d'aliments. L'utilisation de produits chimiques corrosifs lors du chauffage ou du nettoyage détériore l'appareil et peut causer des blessures.

N'utilisez pas cet appareil s'il est défectueux ou endommagé. Communiquez avec un centre de réparation agréé.

Ne réparez ou ne remplacez aucune pièce de l'appareil à moins que ce manuel ne le recommande spécifiquement. Confiez l'entretien à un centre de réparation agréé par l'usine.

---

#### ATTENTION

Les graisses résiduelles sur les filtres peuvent fondre et passer dans le conduit.

---

#### AVERTISSEMENT

Les surfaces masquées peuvent comporter des arêtes tranchantes. Soyez prudent lorsque vous travaillez sur l'arrière ou le dessous de l'appareil.

---

#### AVERTISSEMENT

Lorsque la hotte est utilisée en mode d'évacuation d'air simultanément avec un autre appareil qui utilise la même cheminée (par exemple des brûleurs au gaz, au pétrole ou au charbon, des brûleurs à flux continu ou des chaudières), il est important de vous assurer d'une alimentation adéquate de l'appareil en air frais nécessaire pour la combustion.

C'est le cas si l'air de combustion peut circuler par des ouvertures non verrouillables, par exemple dans les portes, les fenêtres ou à travers une boîte murale d'admission ou d'évacuation d'air ou par d'autres moyens techniques, par exemple un mécanisme à verrouillage réciproque, etc.

---

#### AVERTISSEMENT

Évitez une intoxication au monoxyde de carbone. Fournissez une entrée d'air adéquate afin que les gaz de combustion ne puissent revenir dans la pièce. Un boîtier mural d'admission ou d'évacuation d'air ne garantit pas en soi que la valeur limite ne sera pas dépassée.

**REMARQUE :** Lors de l'évaluation de l'ensemble des exigences, il est important de considérer tout le système de ventilation de la maison. Cette règle ne s'applique pas à l'utilisation d'appareils de cuisine, par exemple des surfaces de cuisson ou des fours.

## Avertissements relatifs à la proposition 65 de l'État de Californie

---

### AVERTISSEMENT

---

Ce produit pourrait contenir un produit chimique reconnu par l'État de la Californie comme cancérigène ou ayant des effets nocifs sur la reproduction. Par conséquent, l'emballage de votre produit pourrait porter l'étiquette suivante, comme requis par la Californie :

AVERTISSEMENT ISSU DE LA PROPOSITION 65 DE L'ÉTAT DE LA CALIFORNIE :



### AVERTISSEMENT

Cancer et dommages à la reproduction -

[www.P65Warnings.ca.gov](http://www.P65Warnings.ca.gov)

---

## Causes de dommages

---

### ⚠ ATTENTION

---

Risque de dommages dus à la corrosion.  
Mettez toujours l'appareil en marche lorsque vous cuisinez pour éviter l'accumulation de condensation.  
La condensation peut entraîner des dommages dus à la corrosion.

---

Risque de dommages dû à l'humidité pénétrant dans les circuits électroniques. Ne nettoyez jamais le panneau de commande avec un chiffon humide.

---

Dommmages à la surface en cas de nettoyage non adapté. Nettoyez les surfaces en acier inoxydable dans le sens du grain uniquement. N'utilisez pas de nettoyeurs pour l'acier inoxydable sur le panneau de commande. N'utilisez jamais de nettoyeurs forts ou abrasifs, au risque d'endommager la surface.

Risque de dommages causés par un refoulement de la condensation. Installez le conduit de sortie de manière à ce qu'il soit légèrement incliné par rapport à l'appareil (inclinaison de 1°).

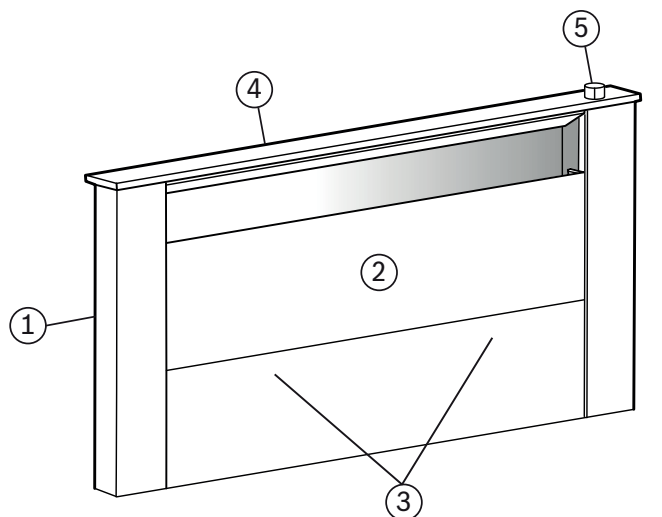
---

## Protection de l'environnement

Déballer l'appareil et mettre l'emballage au rebut conformément aux exigences environnementales.

## Caractéristiques

La hotte à tirage descendant remplace une hotte au-dessus de la surface de cuisson et peut être aisément dissimulée (abaissée) lorsqu'elle n'est pas utilisée. Elle est munie d'un ventilateur qui attire les résidus de cuisson dans le boîtier d'admission, à travers deux filtres puis les fait sortir de la maison ou les renvoie dans la maison au moyen d'un ensemble de recirculation acheté séparément.



- ① Boîtier d'admission relevé
- ② Panneau avant amovible
- ③ Filtres (derrière le panneau avant amovible)
- ④ Capot supérieur d'admission
- ⑤ Bouton-poussoir de montée/descente de l'admission

### Boîtier d'admission relevé

Lorsqu'il est relevé, le boîtier d'admission capte et dirige les odeurs, la vapeur et les graisses de la surface de cuisson à travers deux filtres situés à l'intérieur du boîtier.

L'air est purifié par les filtres et acheminé vers l'extérieur du bâtiment par une série de conduits.

**REMARQUE :** Il est possible que l'air ne soit pas évacué par une cheminée ou un conduit d'évacuation de fumée déjà en service, ni par un conduit utilisé pour la ventilation des zones d'installation d'appareils de chauffage.

S'il est prévu de faire passer l'air à évacuer par un conduit de fumée ou d'évacuation qui n'est pas en service, il faut l'autorisation de l'inspecteur responsable de la zone de chauffage.

Si l'air à évacuer traverse une cloison extérieure, utiliser un manchon mural télescopique.

### Bouton-poussoir de montée/descente de l'admission

La MONTÉE ou la DESCENTE de la hotte à tirage descendant est commandé par l'interrupteur situé sur le côté supérieur droit du boîtier d'admission. Appuyer brièvement une fois sur le bouton de l'interrupteur pour monter ou descendre le boîtier de la hotte.

### Ventilateur

Le ventilateur est également commandé en appuyant ou en tournant l'interrupteur de commande en haut et à droite du boîtier d'admission. Le ventilateur compte quatre réglages: Off (arrêt), Low (vitesse lente), Medium (vitesse moyenne) et High (vitesse élevée) et il fonctionne lorsque le boîtier d'admission se trouve en position relevée.

**REMARQUE :** Le boîtier du ventilateur peut être abaissé sans régler la commande en position Off (arrêt). Appuyer une fois sur le bouton de l'interrupteur pour mettre le ventilateur à l'arrêt et abaisser le boîtier d'admission. Appuyer à nouveau sur l'interrupteur pour relever le boîtier d'admission et remettre le ventilateur à son fonctionnement précédent.

### Filtres

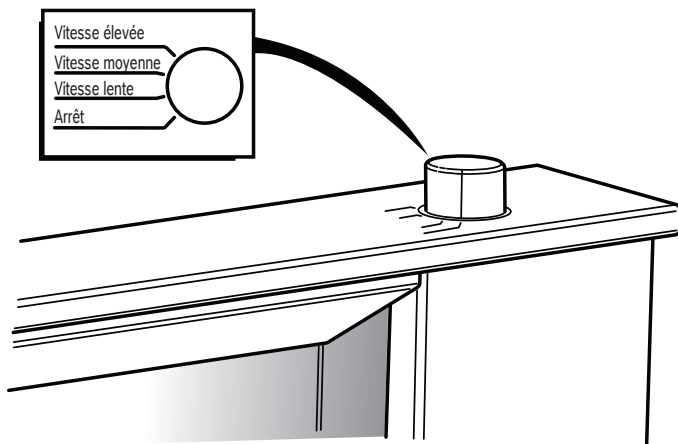
Les filtres sont situés au bas du boîtier d'admission, derrière le panneau avant amovible. Ils servent à condenser et à retenir les graisses dans l'air. Les filtres comportent un film protecteur qui doit être enlevé avant usage.

## Utilisation de l'appareil

Toujours mettre en marche le ventilateur de la hotte avant de commencer à cuisiner afin d'établir une circulation d'air dans la cuisine. Laisser le ventilateur fonctionner quelques minutes après l'arrêt de la cuisinière afin de nettoyer l'air. Ceci contribuera à maintenir la propreté de toute la cuisine.

Il est recommandé d'utiliser les brûleurs arrière pour cuisiner avec des casseroles hautes ou lorsque la méthode de cuisson produit beaucoup de fumée ou de vapeur. L'utilisation combinée des brûleurs arrière et du ventilateur à haut régime facilitera l'évacuation de la fumée et de la vapeur par la hotte.

Toutes les fonctions de la hotte à tirage descendant sont commandées par un bouton de commande situé du côté droit du panneau supérieur.



### Pour monter le boîtier d'admission de la hotte :

Appuyer brièvement sur le bouton-poussoir.

**REMARQUE :** Si la hotte a été abaissée alors que le ventilateur fonctionnait, lors de la montée de la hotte, il démarre et revient à la vitesse prédéfinie une fois la hotte complètement relevée.

### Pour descendre le boîtier d'admission de la hotte :

Appuyer brièvement sur le bouton-poussoir.

**REMARQUE :** Si le ventilateur est en marche lorsque la commande de descente de hotte est exécutée, il s'arrête avant la descente.

### En cas d'arrêt du mouvement du boîtier d'admission du ventilateur :

Repérer toute obstruction éventuelle et l'éliminer.

### Pour commander la vitesse du ventilateur :

Tourner le bouton de commande sur l'une des quatre positions

- Off (Arrêt)
- Low (Vitesse lente)
- Medium (vitesse moyenne)
- High (Vitesse élevée)



## Nettoyage et entretien

Le rendement du système de ventilation à tirage descendant dépend de la propreté du boîtier d'admission et des filtres. La fréquence du nettoyage dépend de la fréquence et du type de cuisson.

Toujours utiliser le nettoyant le plus doux capable d'agir efficacement. Utiliser des chiffons ou des éponges propres et doux.

Utiliser tous les produits conformément aux instructions figurant sur l'emballage.

Frotter les surfaces finies en acier inoxydable dans le sens du grain. Sécher la surface pour éviter les traces d'eau.

Après le nettoyage, mettre toutes les pièces dans leurs positions appropriées avant d'utiliser l'appareil.

Ne pas utiliser le système de ventilation si les filtres ne sont pas en place ou lorsque les filtres et les surfaces sont chargés de graisse.

Ne pas utiliser de nettoyeurs à vapeur pour nettoyer l'appareil.

Les surfaces masquées peuvent comporter des arêtes tranchantes. Faire preuve de prudence lors de travaux sur l'arrière ou le dessous de l'appareil.

### ▲ AVERTISSEMENT

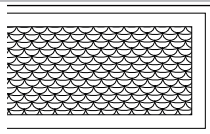
**Pour éviter tout risque d'incendie et d'explosion, n'utilisez pas de liquides ou solvants inflammables.**  
**Débranchez ou déconnectez toujours l'alimentation de l'appareil avant de procéder à son entretien.**

### ▲ AVERTISSEMENT

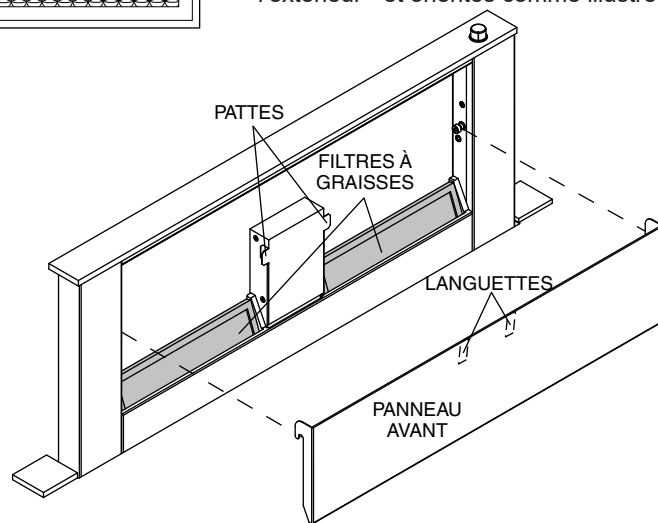
**RISQUE DE BRÛLURES**  
**L'appareil devient chaud au cours de son utilisation. Laissez-le refroidir avant de le nettoyer.**

### ▲ AVERTISSEMENT

**RISQUE DE CHOC ÉLECTRIQUE**  
**De l'humidité pénétrant dans l'appareil peut causer un choc électrique. Nettoyez l'appareil avec un chiffon humide uniquement. Avant de nettoyer, débranchez l'appareil ou basculez le disjoncteur dans le panneau de fusibles.**



Pour assurer un rendement optimal : Remettre les filtres à graisses avec les ouvertures en demi-lune vers l'extérieur - et orientés comme illustré.



## Pour nettoyer les filtres à graisses :

Soulever le panneau avant et l'incliner vers l'avant pour le retirer. Une fois le panneau enlevé, retirer les (2) filtres à graisses.

### ▲ AVERTISSEMENT

#### RISQUE D'INCENDIE

**Les dépôts de graisse dans le filtre à graisses peuvent prendre feu. Nettoyez le filtre à graisses au moins tous les deux mois ou aussi souvent que nécessaire. N'utilisez jamais l'appareil sans filtre à graisses.**

### REMARQUES :

- NE PAS utiliser de nettoyants corrosifs, acides ou alcalins.
- NE PAS utiliser de produits abrasifs, par exemple de la laine d'acier.
- NE PAS utiliser d'éponges en cellulose. Certaines éponges sont traitées avec du sel qui peut, en se déposant sur le métal, causer de la corrosion.
- NE PAS laisser de produits de nettoyage rester longtemps en contact avec l'acier inoxydable.
- NE PAS UTILISER DE NETTOYANTS À BASE DE CHLORE
- Lors du nettoyage des filtres à graisses, nettoyer également le porte-filtre en métal se trouvant dans l'appareil avec un chiffon humide.
- Nettoyer les filtres fabriqués entièrement de métal au lave-vaisselle à l'aide d'un détergent sans phosphate. L'utilisation d'un détergent avec phosphates ainsi que les conditions locales de l'eau peuvent entraîner une décoloration des filtres, sans toutefois affecter leur performance. Cette décoloration n'est pas couverte par la garantie. Afin de prévenir ou de limiter la décoloration, laver les filtres à la main avec un détergent doux.

## Au lave-vaisselle :

**REMARQUE :** Une légère décoloration est possible lors du nettoyage des filtres à graisses au lave-vaisselle. Ceci est normal et n'affecte pas la performance des filtres à graisses.

- Ne pas nettoyer des filtres à graisses extrêmement sales avec la vaisselle.
- Disposer les filtres à graisses dans le plateau supérieur du lave-vaisselle, sans les serrer. Les laver au cycle normal. Les filtres à graisses ne doivent pas être comprimés.

Remettre en place les filtres et le panneau avant d'utiliser la hotte. S'assurer que les filtres ont bien en place.

Pour remettre en place le panneau avant, le basculer vers l'intérieur en alignant les supports du bas. Prendre soin d'engager les LANGUETTES du panneau avant.

---

### ▲ ATTENTION

**Négliger d'engager correctement les languettes peut entraîner le coincement de la cheminée d'évacuation et l'empêcher de monter.**

---

## À la main :

**REMARQUE :** Un solvant à graisse peut être utilisé pour enlever les taches rebelles. Ce produit peut être commandé via le magasin en ligne.

- Faire tremper les filtres à graisses durant 10 à 15 minutes dans une solution d'eau chaude et de détergent doux.
- Utiliser une brosse pour nettoyer, puis rincer soigneusement les filtres.
- Laisser égoutter complètement les filtres à graisses avant de les remettre en place.

Nettoyer et sécher le boîtier d'admission, puis réinstaller ou remplacer les filtres avant d'utiliser la hotte.

## Nettoyage du boîtier d'admission :

- Lever le panneau avant et le retirer.
- Retirer les deux filtres.
- Utiliser une solution de détergent doux. NE PAS UTILISER DE CHIFFONS ABRASIFS, DE LAINE D'ACIER NI DE POUDRE À RÉCURER.
- Nettoyer et réinstaller les deux filtres puis remettre le panneau avant en place avant d'utiliser la hotte.

**AVIS :** L'utilisation de noms de marques n'a d'autre but que celui d'indiquer un type de nettoyant. Cela ne constitue pas une recommandation. L'omission du nom de la marque d'un nettoyant n'est pas une indication de son adéquation ou inadéquation à l'emploi. De nombreux produits sont régionaux et distribués sur les marchés locaux. Il est impératif d'utiliser tous les produits en stricte conformité avec les instructions de l'emballage.

**REMARQUE :** N'utilisez pas la surface de cuisson pendant que la hotte est démontée.

## Remplacement du filtre au charbon

Il est recommandé de remplacer le filtre de recirculation tous les six mois. L'intervalle peut toutefois varier selon le type de repas cuisinés et la quantité.

Pour remplacer le filtre au charbon, retirer la plaque de couverture décorative (sur le coup-de-pied ou à la base de l'armoire) et remplacer le filtre par un nouveau, n° de pièce HDDFILTUC. Remettre en place la plaque décorative.

## Nettoyants

Pour éviter que les diverses surfaces ne se trouvent endommagées par des nettoyants inadaptés, suivre les spécifications du tableau. Ne pas utiliser :

- des nettoyants puissants ou décapants,
- des nettoyants à forte teneur en alcool,
- des éponges et tampons à récurer raides,
- des nettoyeurs à haute pression ou à vapeur.

Frotter les surfaces finies en acier inoxydable dans le sens du grain. Sécher la surface pour éviter les traces d'eau. Après le nettoyage, mettre toutes les pièces dans leurs positions appropriées avant d'utiliser l'appareil.

Rincer soigneusement toutes les éponges neuves avant usage. Respecter toutes les instructions et mises en garde accompagnant les nettoyants.

Surface	Nettoyants
Acier inoxydable	Eau savonneuse tiède : Nettoyer avec une lavette et sécher avec un chiffon doux. Nettoyer l'acier inoxydable dans le sens du grain uniquement. Des produits spéciaux pour l'entretien de l'acier inoxydable sont disponibles auprès du service à la clientèle ou auprès de détaillants spécialisés. Appliquer une fine couche du produit d'entretien avec un chiffon doux.
Surfaces vernies	Eau savonneuse tiède : Nettoyer avec une lavette humide et sécher avec un chiffon doux. Ne pas utiliser de nettoyant pour acier inoxydable.
Aluminium et plastique	Nettoyant à vitres : Nettoyer avec un chiffon doux.
Vitre	Nettoyant à vitres : Nettoyer avec un chiffon doux. Ne pas utiliser de grattoir à vitres.
Commandes	Eau savonneuse tiède : Nettoyer avec une lavette humide et sécher avec un chiffon doux. Risque de dommages aux composants électroniques en raison de la pénétration d'humidité. Ne jamais nettoyer les commandes avec un chiffon mouillé. Ne pas utiliser de nettoyant pour acier inoxydable.

## Dépannage

Souvent, il est possible d'éliminer facilement par vous-même les problèmes qui se présentent. Avant de communiquer avec le service à la clientèle, tenir compte des renseignements suivants.

### ▲ AVERTISSEMENT

#### RISQUE DE CHOC ÉLECTRIQUE

**Les réparations incorrectement effectuées sont dangereuses. Seul un centre de réparation agréé peut effectuer les réparations et remplacer le câblage endommagé. Débranchez l'appareil ou coupez le courant au panneau de distribution si l'appareil nécessite un entretien ou une réparation. Communiquez avec un centre de réparation agréé.**

### Conseils de dépannage :

- Si la hotte cesse de fonctionner, vérifier le cordon d'alimentation et les connexions au boîtier électrique, il se peut qu'une connexion soit desserrée.
- Si la hotte cesse de fonctionner ou si l'unité présente un défaut de fonctionnement, la débrancher, attendre 30 secondes, puis la rebrancher pour la réarmer.
- Si les brûleurs à gaz cliquettent ou s'éteignent lorsque la hotte fonctionne, vérifier l'étanchéité du ventilateur et des conduits se trouvant en dessous.
- Si le couvercle avant vibre, le glisser à gauche ou à droite. La tolérance est prévue pour faciliter l'évacuation de la chaleur et le démontage.
- Si une obstruction est présente dans l'appareil, le mécanisme de sécurité s'active. Éliminer l'obstruction et l'appareil devrait se réarmer.

## ASSISTANCE BOSCH®

### Avant d'appeler le service à la clientèle

Consulter le Manuel d'utilisation et d'entretien pour le dépannage. Se reporter à la « Déclaration de garantie limitée du produit ».

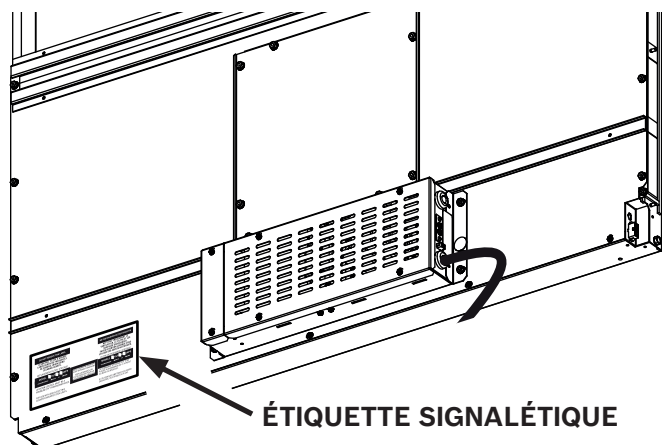
Pour joindre un représentant du service à la clientèle, voir nos coordonnées sur la couverture du manuel. Prévoir d'avoir sous la main les renseignements imprimés sur l'étiquette signalétique du produit au moment d'appeler.

### Étiquette signalétique

L'étiquette signalétique indique les numéros de modèle et de série. Consulter l'étiquette signalétique de l'appareil lors de toute demande d'assistance.

Cette étiquette se trouve du côté avant inférieur gauche du boîtier de la hotte.

Pour éviter d'avoir à rechercher chaque fois ces renseignements au moment d'appeler, noter les quatre renseignements dans le tableau prévu à cet effet.



Numéro de modèle	
Numéro de série	
Date d'achat	
Numéro du service à la clientèle	

Conserver votre facture ou contrat de dépôt pour valider la garantie en cas de demande de service.

### Service

Nous sommes conscients que vous avez fait un investissement considérable dans votre cuisine. Nous nous engageons à vous aider à profiter de nombreuses années de cuisine créative avec votre appareil.

Pour toute question dans l'éventualité peu probable où votre appareil Bosch® nécessite une intervention, n'hésitez pas à communiquer avec notre service à la clientèle. Notre équipe d'assistance est prête à vous aider.

**États-Unis** 800 944-2904

[www.bosch-home.com/us/support](http://www.bosch-home.com/us/support)

**Canada** 800 944-2904 [www.bosch-home.ca/fr/support](http://www.bosch-home.ca/fr/support)

### Pièces et accessoires

Vous pouvez vous procurer des pièces, filtres, détartrants, nettoyants pour acier inoxydable et plus à la boutique électronique Bosch® eShop ou par téléphone.

**États-Unis** [www.bosch-home.com/us/store](http://www.bosch-home.com/us/store)

**Canada** Marcone 800 482-6022 ou  
Reliable Parts 800 941-9217

# DÉCLARATION DE GARANTIE LIMITÉE DU PRODUIT

## Ce que couvre cette garantie et à qui elle s'applique

La garantie limitée fournie par BSH Home Appliances Corporation (« BSH ») dans le présent avis de garantie limitée du produit ne s'applique qu'à l'appareil Bosch (le « Produit ») qui vous est vendu, en tant qu'acheteur utilisateur initial, à condition que le produit ait été acheté :

- pour votre usage domestique (non commercial) normal, et qu'il ait effectivement toujours été employé à des fins domestiques normales;
- neuf au détail (pas un modèle exposé, « tel quel », ou précédemment retourné), et non pour une revente, ou un usage commercial;
- aux États-Unis ou au Canada, et est toujours resté dans le pays d'achat d'origine.

Les garanties aux présentes s'appliquent à l'acheteur original du Produit sous garantie et à tout propriétaire successif du produit acheté pour une utilisation résidentielle habituelle et pour la durée de la garantie.

BSH se réserve le droit de demander une preuve de l'achat au moment où une demande de garantie est soumise pour confirmer que le produit entre dans le champ de cette garantie limitée du produit.

Veillez à renvoyer votre carte d'enregistrement; bien qu'elle ne soit pas nécessaire pour activer la couverture de garantie, elle est le meilleur moyen pour BSH de vous aviser dans le cas improbable d'un avis sur la sécurité ou d'un rappel de produit.

## Durée de la garantie

BSH garantit que le produit ne présente aucune déféctuosité résultant d'un vice de matériau et de fabrication pour une période de trois cent soixante cinq (365) jours à compter de la date d'achat. Le délai qui précède entre en vigueur à compter de la date d'achat, et ne doit pas être interrompu, étendu ou suspendu pour quelque raison que ce soit.

Ce produit est également garanti contre tout défaut cosmétique de matériau et de fabrication (par exemple, égratignure de l'acier inoxydable, imperfection de peinture/porcelaine, ébréchure, bosselure ou autre dommage subi par le fini) du Produit, pendant une période de trente (30) jours à compter de la date d'achat ou de la date de clôture d'une nouvelle construction. Cette garantie cosmétique ne prend pas en charge les variations de couleur dues aux différences inhérentes aux pièces peintes ou en porcelaine, ainsi que les différences causées par l'éclairage de la cuisine, l'emplacement du produit ou autre facteur similaire. Cette garantie cosmétique exclut spécifiquement les présentoirs, les planchers, l'état « tel quel » ou les appareils de type « B ».

## Votre seul recours est une réparation ou un remplacement

Durant cette période de garantie, BSH ou un de ses réparateurs agréés réparera votre produit gratuitement (sous réserve de certaines limitations définies dans les présentes) s'il est prouvé que le produit a été fabriqué avec un défaut de matériau ou de fabrication. Si des tentatives raisonnables de réparation du Produit ont eu lieu mais s'avèrent infructueuses, BSH remplacera le produit (des modèles améliorés pourront être disponibles, à la seule discrétion de BSH; moyennant une majoration). Les pièces et les composants retirés deviennent la propriété de BSH à sa seule discrétion. Toutes les pièces remplacées et/ou réparées doivent assumer l'identité de la pièce originale aux fins de la présente garantie et la présente garantie ne doit pas être étendue à ces pièces. La seule responsabilité de BSH consiste à réparer le produit défectueux, en ayant recours à un réparateur agréé par BSH durant les heures de bureau normales. Pour des raisons de sécurité ou portant sur les dommages matériels, BSH vous recommande vivement de ne pas tenter de réparer le produit vous-même, ou d'avoir recours à un réparateur non agréé; BSH décline toute responsabilité pour des réparations ou des travaux effectués par un réparateur non agréé. Si vous vous adressez à une autre personne qu'un réparateur agréé pour travailler sur votre produit, LA PRÉSENTE GARANTIE DEVIENDRA AUTOMATIQUEMENT NULLE ET NON AVENUE. Les réparateurs agréés sont les personnes ou les entreprises ayant été spécialement formées sur les produits BSH, et qui possèdent, selon BSH, une solide réputation en matière de service à la clientèle et d'aptitude technique (notez que ce sont des entités indépendantes et non des agents, des partenaires, des filiales ou des représentants de BSH). Toutefois, BSH n'encourra aucune responsabilité pour le produit s'il se trouve dans une région éloignée (à plus de 160 km / 100 milles d'un réparateur agréé) ou est raisonnablement inaccessible, dangereux, risqué, ou dans un environnement, un milieu ou un endroit dangereux; dans un tel cas, si vous le demandez, BSH continuera de payer pour la main-d'œuvre et les pièces et d'expédier les pièces au réparateur agréé le plus proche, mais vous serez toujours entièrement responsable de la durée du trajet ou des autres charges spéciales assumées par la société de services, en supposant qu'elle accepte d'effectuer l'appel de service.



## Produits hors garantie

BSH n'a aucune obligation, en droit ni autrement, de vous accorder des concessions, notamment des réparations, réductions au prorata ou remplacement de produit, une fois cette garantie expirée.

## Exclusions de garantie

La couverture de garantie décrite dans ce document exclut tous les défauts ou dommages qui ne sont pas directement imputables à BSH, y compris, sans limitation, un ou plusieurs des points suivants :

- L'utilisation du produit outre celle à laquelle il est destiné (incluant sans limitation, toute forme d'usage commercial, d'utilisation ou stockage d'un produit intérieur à l'extérieur, utilisation du produit dans un aéronef ou un bateau).
- Toute inconduite délibérée d'un tiers, négligence, mauvais usage, abus, accident, fonctionnement incorrect, défaut d'entretien, installation négligente ou incorrecte, falsification, non-respect des instructions d'utilisation, mauvaise manipulation, service non autorisé (y compris l'auto-réparation ou l'exploration du fonctionnement intérieur de l'appareil).
- Ajustement, altération ou modification de toute sorte.
- Le non-respect des lois, règles, codes du bâtiment et/ou en matière de plomberie, d'électricité, au niveau municipal, local, provincial ou étatique, incluant le fait de ne pas installer le produit en stricte conformité avec les règles et les codes du bâtiment et de protection contre les incendies.
- Les dommages causés par l'usure ordinaire, des aliments ou un liquide, l'accumulation de graisses ou d'autres substances qui se déposent dessus, dedans ou autour du produit.
- Tous facteurs et forces environnementaux et/ou externes, élémentaires, incluant sans limitation, la pluie, le vent, le sable, les inondations, les incendies, les écoulements de boue, les températures glaciales, l'humidité excessive ou l'exposition prolongée à l'humidité, à la lumière; aux sources d'énergie, aux défaillances structurales autour de l'appareil et aux catastrophes naturelles.

En aucun cas BSH ne saurait être responsable des dommages aux matériaux adjacents, notamment l'armoire, les planchers, le plafond et les autres structures ou objets autour du produit. Sont également exclus de la présente garantie: les produits sur lesquels les numéros de série ont été altérés, dégradés, ou supprimés, des visites de service pour vous apprendre à utiliser le produit, ou des visites où le produit ne présente aucun défaut; la correction des problèmes d'installation (vous êtes entièrement responsable de la structure et de l'installation du produit, incluant l'électricité, la plomberie et toutes les autres installations de raccordement, du plancher et de la fondation, et des altérations incluant sans limitation l'armoire, les murs, le plancher, les étagères, etc.); et le rétablissement des fusibles ou des disjoncteurs.

DANS LA MESURE AUTORISÉE PAR LA LOI, LA PRÉSENTE GARANTIE STIPULE VOS RECOURS EXCLUSIFS PAR RAPPORT AU PRODUIT, QUE LA RÉCLAMATION DÉCOULE D'UN CONTRAT OU D'UN PRÉJUDICE (INCLUANT LA RESPONSABILITÉ DIRECTE, OU LA NÉGLIGENCE) OU AUTREMENT. LA PRÉSENTE GARANTIE REMPLACE TOUTES LES AUTRES GARANTIES, QU'ELLES SOIENT EXPRESSES OU IMPLICITES. TOUTE GARANTIE IMPLICITE PAR LA LOI, QUE CE SOIT POUR LA QUALITÉ MARCHANDE OU L'ADAPTATION À UN USAGE PARTICULIER OU AUTRE, N'A D'EFFET QUE PENDANT LA PÉRIODE OÙ CETTE GARANTIE LIMITÉE EXPRESSE EST EN VIGUEUR. EN AUCUN CAS, LE FABRICANT NE SAURAIT ÊTRE RESPONSABLE DE DOMMAGES DIRECTS, PARTICULIERS, FORTUITS, INDIRECTS, « PERTE DE PROFITS », ET/OU DOMMAGES PUNITIFS, PERTES, OU DÉPENSES, INCLUANT SANS LIMITATION L'ABSENCE AU TRAVAIL, LES HÔTELS ET/OU LES REPAS AU RESTAURANT, LES DÉPENSES DE RÉNOVATION EXCESSIVES POUR LES DOMMAGES DIRECTS QUI SONT DÉFINITIVEMENT ET EXCLUSIVEMENT CAUSÉS PAR BSH, OU AUTREMENT. CERTAINES JURIDICTIONS N'AUTORISENT PAS L'EXCLUSION OU LA LIMITATION DES DOMMAGES DIRECTS ET INDIRECTS, ET CERTAINES JURIDICTIONS N'AUTORISENT PAS LES LIMITATIONS SUR LA DURÉE D'UNE GARANTIE. LES LIMITATIONS CI-DESSUS PEUVENT DONC NE PAS S'APPLIQUER À VOUS. LA PRÉSENTE GARANTIE VOUS CONFÈRE DES DROITS JURIDIQUES PARTICULIERS AUXQUELS PEUVENT S'AJOUTER D'AUTRES DROITS QUI VARIENT D'UN TERRITOIRE OU D'UNE PROVINCE À L'AUTRE.

Aucune tentative pour altérer, modifier ou amender la présente garantie ne prendra effet sans autorisation par écrit d'un responsable de BSH.

## Tabla de contenido

<b>Definiciones de seguridad.....</b>	<b>29</b>
<b>INSTRUCCIONES IMPORTANTES DE SEGURIDAD ...</b>	<b>30</b>
Notas generales .....	30
Seguridad ante incendios .....	30
Prevención de quemaduras.....	31
Seguridad con los niños .....	31
Seguridad con la limpieza .....	32
Uso seguro .....	32
Instalación y mantenimiento adecuados .....	32
Advertencias de la Propuesta 65 del estado de California .....	33
<b>Causas de daños .....</b>	<b>33</b>
<b>Protección del medio ambiente .....</b>	<b>33</b>
<b>Características.....</b>	<b>34</b>
Cubierta de entrada elevada .....	34
Botón para subir/bajar la cubierta de entrada .....	34
Ventilador.....	34
Filtros.....	34
<b>Funcionamiento del electrodoméstico.....</b>	<b>35</b>
Para subir la cubierta de entrada de la campana.....	35
Para bajar la cubierta de entrada de la campana.....	35
Si se detiene el movimiento de la cubierta de la campana.....	35
Para controlar la velocidad del ventilador.....	35
<b>Limpieza y mantenimiento.....</b>	<b>36</b>
Limpie los filtros de grasa.....	36
Limpie la cubierta de entrada .....	37
Sustitución del filtro de carbón .....	37
Agentes de limpieza .....	37
<b>Resolución de problemas.....</b>	<b>38</b>
Consejos para la resolución de problemas .....	38
<b>Atención de BOSCH® .....</b>	<b>38</b>
Antes de llame al servicio.....	38
Etiqueta de datos.....	38
Servicio.....	38
Piezas y accesorios.....	38
<b>DECLARACIÓN DE GARANTÍA LIMITADA DEL PRODUCTO.....</b>	<b>39</b>
Lo que abarca esta garantía y a quién se aplica.....	39
Cuánto tiempo dura la garantía.....	39
Reparación/reemplazo como su recurso exclusivo.....	39
Productos fuera de garantía .....	40
Exclusiones de garantía .....	40

Puede encontrar información adicional sobre productos, accesorios, piezas de repuesto y servicios en [www.bosch-home.com](http://www.bosch-home.com) y en la tienda por Internet [www.bosch-home.com/us/store](http://www.bosch-home.com/us/store)

---

# Definiciones de seguridad

---

## **▲ ADVERTENCIA**

Esto indica que podría producirse la muerte o lesiones graves como resultado de no hacer caso de esta advertencia.

---

---

## **▲ PRECAUCIÓN**

Esto indica que podrían producirse lesiones leves o moderadas como resultado de no hacer caso de esta advertencia.

---

**AVISO:** Esto indica que podrían producirse daños al electrodoméstico o a la propiedad como resultado de no hacer caso de este aviso.

**NOTA:** Esto le alerta ante información o consejos importantes.



# **⚠ INSTRUCCIONES IMPORTANTES DE SEGURIDAD**

## **LEA Y CONSERVE ESTAS INSTRUCCIONES**

---

### **ADVERTENCIA**

Su nuevo electrodoméstico ha sido diseñado para ser seguro y confiable cuando es bien cuidado. Lea detenidamente todas las instrucciones antes de usarlo. Estas precauciones reducirán el riesgo de quemaduras, descarga eléctrica, incendio y lesiones a personas. Al usar electrodomésticos de cocina, deben seguirse las precauciones básicas de seguridad, incluyendo las de las páginas siguientes.

### **Notas generales**

Examine el electrodoméstico antes de desempacarlo. En caso de daños durante el transporte, no lo conecte.

---

### **ADVERTENCIA**

PARA REDUCIR EL RIESGO DE INCENDIOS, DESCARGAS ELÉCTRICAS O LESIONES PERSONALES, SIGA LAS SIGUIENTES PRECAUCIONES:

- Use la unidad solo de la manera indicada por el fabricante. Si tiene preguntas, comuníquese con el fabricante.
- Antes de dar servicio a la unidad o de limpiarla, interrumpa el suministro eléctrico en el panel de servicio y bloquee los medios de desconexión del servicio para evitar que la electricidad se reanude accidentalmente. Cuando no sea posible bloquear los medios de desconexión del servicio, fije firmemente una señal de advertencia (como una etiqueta) en un lugar visible del panel de servicio.

---

### **ADVERTENCIA**

ADVERTENCIA: PARA REDUCIR EL RIESGO DE INCENDIOS, DESCARGAS ELÉCTRICAS O LESIONES PERSONALES OBSERVE LAS SIGUIENTES PRECAUCIONES:

- Una o más personas calificadas deben realizar el trabajo de instalación y el cableado eléctrico siguiendo todos los códigos y normas correspondientes, incluso los códigos y normas de construcción específicos para incendios.
- Con el fin de evitar la contracorriente se necesita suficiente aire para que se lleve a cabo una combustión adecuada y la extracción de los gases a través del tubo de humos (chimenea) del equipo quemador de combustible. Siga las directrices y las normas de seguridad del fabricante del equipo de calefacción, como las publicadas por la Asociación Nacional de Protección contra Incendios (National Fire Protection Association, NFPA), la Sociedad Americana de Ingenieros de Calefacción, Refrigeración y Aire Acondicionado (American Society for Heating, Refrigeration and Air Conditioning Engineers, ASHRAE) y las autoridades de los códigos locales.
- Al cortar o perforar a través de la pared o del cielo raso, tenga cuidado de no dañar el cableado eléctrico ni otros servicios ocultos.
- Los ventiladores con conductos siempre deben ventearse hacia el exterior.

Este electrodoméstico no está diseñado para funcionar con un contador de tiempo o control remoto externo.

---

### **ADVERTENCIA**

Ate el cabello largo para que no se suelte, y no use ropa suelta o prendas colgantes, como corbatas, bufandas, joyas o mangas colgantes.

---

### **Seguridad ante incendios**

---

#### **ADVERTENCIA**

Para reducir el riesgo de incendio y para descargar adecuadamente el aire, asegúrese de dirigir el aire hacia el exterior. No descargue el aire en espacios contenidos entre paredes, cielos rasos, áticos, sótanos bajos ni en la cochera.

---

#### **ADVERTENCIA**

Para reducir el riesgo de incendio, use solamente conductos metálicos.

Siempre tenga cerca de la cocina un detector de humos en funcionamiento.

---

#### **ADVERTENCIA**

PARA REDUCIR EL RIESGO DE INCENDIO PROVOCADO POR GRASA PRESENTE EN LA ESTUFA:

- a. Nunca deje las unidades de la superficie desatendidas cuando estén en ajustes altos de calor. Los alimentos en ebullición provocan derrames grasos y con humo que se pueden incendiar. Caliente el aceite lentamente en ajustes de calor bajo o medio.
- b. Siempre ENCIENDA la campana al cocinar en ajuste alto de calor.
- c. Limpie frecuentemente los ventiladores. No permita la acumulación de grasa en el ventilador ni en el filtro.
- d. Use cacerolas con el tamaño adecuado. Siempre use utensilios de cocina que sean apropiados para el tamaño del elemento de la superficie.

---

#### **PRECAUCIÓN**

Solo para usarse como medio de ventilación general. No debe usarse para la extracción de materiales y vapores peligrosos o explosivos.

En caso de que la ropa o el cabello se incendien, déjese caer de inmediato y ruede, para apagar las llamas. Apague con bicarbonato de sodio las llamas de incendios de madera que no sean producidos por grasa. Nunca use agua sobre incendios que surjan al cocinar.

# **⚠ INSTRUCCIONES IMPORTANTES DE SEGURIDAD**

## **LEA Y CONSERVE ESTAS INSTRUCCIONES**

---

### **ADVERTENCIA**

PARA REDUCIR EL RIESGO DE LESIONES A LAS PERSONAS EN CASO DE UN INCENDIO PRODUCIDO POR GRASA EN UNA ESTUFA, OBSERVE LO SIGUIENTE<sup>a</sup>:

- APAGUE LAS LLAMAS con una tapa de ajuste exacto, una charola para galletas o una bandeja de metal, y después apague el quemador. PROCEDA CON CUIDADO PARA EVITAR QUEMADURAS. Si las llamas no se apagan inmediatamente, EVACUE EL ÁREA Y LLAME A LOS BOMBEROS.
- NUNCA LEVANTE UNA CACEROLA INCENDIADA porque podría ocasionarse quemaduras.
- NO USE AGUA, incluidos trapos o toallas de cocina mojados; puede producirse una explosión violenta de vapor.
- Use un extintor SOLO si:
  - Sabe que el extintor es de Clase ABC y sabe cómo hacerlo funcionar.
  - El incendio es pequeño y está confinado al área en la que se inició.
  - Se está llamando al departamento de bomberos.
  - Puede combatir el incendio teniendo la espalda orientada hacia una salida.

---

<sup>a</sup>Basado en “Kitchen Fire Safety Tips” (Sugerencias para la seguridad contra incendios en la cocina) publicado por NFPA.

Siempre que sea posible, no accione el sistema de ventilación en caso de incendio en una estufa. Sin embargo, no atravesese el fuego para apagarlo.

---

### **ADVERTENCIA**

#### **RIESGO DE INCENDIO**

Cuando los quemadores de gas funcionan sin tener utensilios de cocina sobre ellos, pueden acumular mucho calor. Un electrodoméstico de ventilación instalado sobre el quemador podría dañarse o incendiarse. Solo accione los quemadores de gas con utensilios de cocina sobre ellos.

---

### **ADVERTENCIA**

#### **RIESGO DE INCENDIO**

Al usar de manera simultánea múltiples quemadores de gas, se genera una gran cantidad de calor. Un dispositivo de ventilación instalado arriba podría dañarse o incendiarse. Nunca use dos quemadores de gas juntos en ajuste máximo de calor por más de 15 minutos. Un quemador grande con más de 17,000 Btu/h (5 kW) (wok) es igual al consumo de dos quemadores de gas.

---

### **ADVERTENCIA**

#### **RIESGO DE INCENDIO**

El aceite y la grasa calientes se incendian rápido. Nunca deje aceite y grasa calientes sin supervisión. Nunca extinga un incendio con agua. Apague el quemador correspondiente. Sofoque las llamas con cuidado con una tapa, una manta para incendios o algo similar.

---

### **ADVERTENCIA**

#### **RIESGO DE INCENDIO**

Los depósitos de grasa en el filtro de grasa se pueden incendiar. Limpie el filtro de grasa por lo menos cada dos meses. Nunca opere el electrodoméstico sin el filtro de grasa.

---

### **ADVERTENCIA**

#### **RIESGO DE INCENDIO**

Los depósitos de grasa en el filtro de grasa se pueden incendiar. Nunca trabaje con una llama abierta cerca del electrodoméstico (por ejemplo, al flamear). Instale la unidad cerca de un electrodoméstico que produzca calor para combustibles sólidos (por ejemplo, madera o carbón) únicamente si hubiera una cubierta cerrada que no se quita. No debe haber chispas volando.

---

## **Prevención de quemaduras**

---

### **ADVERTENCIA**

#### **RIESGO DE QUEMADURAS**

Las piezas accesibles pueden calentarse durante la operación. Nunca toque las piezas calientes. Mantenga lejos a los niños.

---

## **Seguridad con los niños**

Cuando los niños crecen lo suficiente como para usar el electrodoméstico, es responsabilidad de los padres o tutores legales asegurarse de que personas calificadas los instruyan en prácticas seguras.

Retire toda la cinta y el empaque antes de usar el electrodoméstico. Destruya el empaque después de desempacar el electrodoméstico. Nunca permita que los niños jueguen con el material de empaque. No permita que nadie trepe, se pare, se incline, se siente o se cuelgue de ninguna parte de un electrodoméstico, especialmente puertas, cajón de calentamiento o cajón de almacenamiento. Esto puede dañar el electrodoméstico, y la unidad se podría volcar, con la posibilidad de provocar lesiones graves.

No permita que los niños usen este aparato a menos que estén supervisados de cerca por un adulto. No se deben dejar niños ni mascotas solos o desatendidos en el área en la que se usa este electrodoméstico. Nunca permita que los niños jueguen en la cercanía, sin importar que esté en uso el electrodoméstico o no.

---

### **PRECAUCIÓN**

Nunca debe guardar artículos de interés para niños en el electrodoméstico, en los gabinetes de la parte superior ni en el protector contra salpicaduras. Los niños que se suban a un electrodoméstico para alcanzar artículos podrían resultar lesionados gravemente.

# **⚠ INSTRUCCIONES IMPORTANTES DE SEGURIDAD**

## **LEA Y CONSERVE ESTAS INSTRUCCIONES**

### **Seguridad con la limpieza**

---

#### **ADVERTENCIA**

Asegúrese de que todo el electrodoméstico se haya enfriado y la grasa se haya solidificado antes de intentar limpiar cualquier parte del electrodoméstico.

No use limpiadores de vapor para limpiar el electrodoméstico.

### **Uso seguro**

---

#### **ADVERTENCIA**

No repare, reemplace ni retire ninguna pieza del electrodoméstico, a menos que así se recomiende específicamente en los manuales. La instalación, el servicio o el mantenimiento inadecuados pueden provocar lesiones o daños materiales. Consulte este manual como guía. Todas las demás operaciones de servicio las debe realizar un técnico calificado.

---

#### **ADVERTENCIA**

##### **RIESGO DE LESIONES**

Los artículos colocados sobre el electrodoméstico podrían caerse. No coloque ningún objeto sobre el electrodoméstico.

### **Instalación y mantenimiento adecuados**

Haga que el instalador le muestre la ubicación del disyuntor o fusible. Márquelo para que sea una referencia fácil.

Un técnico calificado debe instalar y conectar a tierra este electrodoméstico. Conecte solo a un tomacorriente con la conexión adecuada a tierra. Consulte los detalles en las instrucciones de instalación.

Este electrodoméstico ha sido diseñado solo para uso doméstico familiar normal. No está aprobado para usarse en exteriores. Vea la declaración de la garantía limitada del producto. Si tiene preguntas, comuníquese con el fabricante.

No guarde ni use productos químicos corrosivos, vapores, o productos inflamables o que no sean alimentos en o cerca de este electrodoméstico.

Está diseñado específicamente para usarlo al calentar o cocinar alimentos. El uso de productos químicos corrosivos al calentar o limpiar dañará el electrodoméstico y podría ocasionar lesiones.

No opere este electrodoméstico si no funciona adecuadamente o si se ha dañado. Comuníquese con un proveedor de servicio autorizado.

No repare ni reemplace ninguna pieza del electrodoméstico a menos que así se recomiende específicamente en este manual. Refiera todo el servicio a un centro de servicio autorizado de fábrica.

---

#### **PRECAUCIÓN**

La grasa que queda sobre los filtros se puede derretir y moverse hacia el ventilador.

---

#### **ADVERTENCIA**

Las superficies ocultas pueden tener bordes afilados. Tenga cuidado al meter la mano detrás o debajo del electrodoméstico.

---

#### **ADVERTENCIA**

Cuando la campana se opera en modo de extracción de aire al mismo tiempo que otro quemador que usa la misma chimenea (como calentadores de gas, aceite o carbón, calentadores de flujo continuo, calentadores de agua), se debe tener cuidado de asegurar que haya un suministro adecuado de aire fresco, que será necesario para la combustión en el quemador.

Esto se puede lograr si el aire de la combustión puede fluir a través de aberturas que no se cierren con seguro, es decir, puertas, ventanas y por medio de la caja en la pared de admisión/escape de aire, o por otros medios técnicos, como entrecierre recíproco, etc.

---

#### **ADVERTENCIA**

Evite el envenenamiento por monóxido de carbono: suministre el aire de admisión adecuado de tal manera que los gases de combustión no se devuelvan a la habitación.

Una caja de pared para admisión/escape de aire por sí misma no es garantía de que no se superará el valor de limitación.

**NOTA:** Cuando evalúe el requisito general, se debe tomar en cuenta el sistema de ventilación combinado para toda la vivienda. Esta regla no se aplica al uso de electrodomésticos para cocinar, como estufas y hornos.

---

## Advertencias de la Propuesta 65 del estado de California

---

### ADVERTENCIA

---

Este producto puede contener un químico que el Estado de California reconoce como potencialmente cancerígeno o causante de daños reproductivos. Por tanto, su producto debe llevar en su embalaje la siguiente etiqueta de conformidad con la legislación de California:

ADVERTENCIA EN VIRTUD DE LA PROPOSICIÓN 65 DEL ESTADO DE CALIFORNIA:



### ADVERTENCIA

Cáncer y daño reproductivo - [www.P65Warnings.ca.gov](http://www.P65Warnings.ca.gov)

---

## Causas de daños

---

### ⚠ PRECAUCIÓN

---

Riesgo de daños debidos a la corrosión. Siempre encienda el electrodoméstico cuando cocine, para evitar la acumulación de condensación. La condensación puede conducir a daños por corrosión.

---

Riesgo de daños debido a la entrada de humedad en los circuitos electrónicos. Nunca limpie los controles del operador con un paño húmedo.

Puede dañarse la superficie por una limpieza incorrecta. Limpie las superficies de acero inoxidable solo en la dirección del grano. No use limpiadores de acero inoxidable en los controles del operador. Nunca use agentes de limpieza fuertes o abrasivos, pues pueden dañar la superficie.

Riesgo de daños por el contraflujo de la condensación. Instale un ventilador de escape en una pendiente ligeramente descendente, lejos del electrodoméstico (pendiente de 1°).

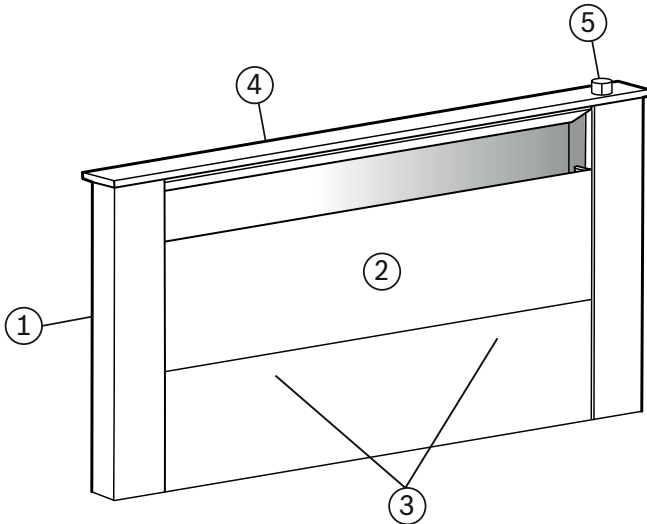
## Protección del medio ambiente

---

Desempaque el electrodoméstico y deseche el empaque, de acuerdo con los requisitos ambientales.

## Características

La campana de tiro descendente toma el lugar de una campana elevada y se puede esconder de forma conveniente (bajar) cuando no está en uso. Tiene un ventilador que extrae los subproductos de la cocina hacia la cubierta de entrada, a través de dos filtros y hacia afuera de la casa, o recircularlos de regreso a la casa con la compra (por separado) de un juego de recirculación.



- ① Cubierta de entrada elevada
- ② Tablero delantero removible
- ③ Filtros (detrás del panel frontal removible)
- ④ Tapa superior de entrada
- ⑤ Botón para subir/bajar la cubierta de entrada

### Cubierta de entrada elevada

Cuando está elevada, la cubierta de entrada capta y dirige los olores de la cocina, el vapor y la grasa de la estufa a través de dos filtros ubicados dentro de la cubierta de entrada.

Los filtros limpian el aire y lo dirigen al exterior del edificio a través de una serie de conductos de tubería.

**NOTA:** La ventilación podría no salir a través de una chimenea de humos o extracción en funcionamiento, o de un conducto utilizado para ventilar zonas de instalación de calderas.

Si la ventilación está diseñada para pasar a través de una chimenea de humos o extracción que no esté en funcionamiento, el inspector responsable del calentamiento de la zona debe dar su autorización.

Si la ventilación pasa a través de una pared exterior, utilice un manguito telescópico de pared.

### Botón para subir/bajar la cubierta de entrada

El funcionamiento para SUBIR/BAJAR el ventilador de tiro descendente se controla con el interruptor ubicado en el lado superior derecho de la cubierta de entrada. Presione y suelte una vez el interruptor de botón para subir o bajar la cubierta de la campana.

### Ventilador

El ventilador se controla también presionando o girando el interruptor de control en la parte superior derecha de la cubierta de entrada. El ventilador tiene cuatro ajustes: Apagado, Bajo, Medio y Alto, y funcionará siempre que la cubierta de entrada se encuentre en la posición elevada.

**NOTA:** La cubierta de entrada se puede bajar sin necesidad de mover el interruptor del ventilador a la posición Off (apagado). Presione una vez el interruptor de botón para apagar el ventilador y bajar la cubierta de entrada. Presione otra vez el interruptor; la cubierta de entrada subirá y el ventilador se encenderá en su posición de funcionamiento anterior.

### Filtros

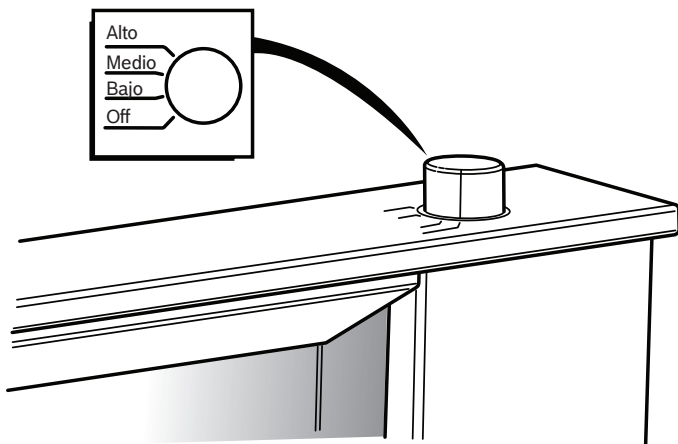
Los filtros están ubicados en la parte inferior de la cubierta de entrada, detrás del panel frontal extraíble. Condensan y atrapan la grasa que hay en el aire. Los filtros incluyen una película protectora que debe quitar antes de usarlos.

## Funcionamiento del electrodoméstico

Siempre encienda el ventilador de tiro descendente antes de comenzar a cocinar para establecer un flujo de aire en la cocina. Después de apagar la estufa, deje que el ventilador funcione durante unos minutos para limpiar el aire de la estufa. Así mantendrá toda la cocina más limpia y brillante.

Se recomienda que use los quemadores de atrás cuando cocine con ollas altas o cuando el método para cocinar generará grandes cantidades de humo o vapor. La combinación de usar los quemadores de atrás y operar la unidad a alta velocidad aumentará la posibilidad de que todo el humo y el vapor serán extraídos por el tiro descendente.

Todas las funciones de la campana de tiro descendente se controlan mediante la perilla de control que está en el lado derecho del panel superior.



### Para subir la cubierta de entrada de la campana:

Presione y suelte el interruptor del control.

**Nota:** Si la campana bajó con el ventilador en cualquier posición de funcionamiento, se encenderá y regresará a la velocidad configurada previamente cuando la campana esté totalmente elevada.

### Para bajar la cubierta de entrada de la campana:

Presione y suelte el interruptor del control.

**NOTA:** Si el ventilador está en funcionamiento cuando se baja la campana, el ventilador se apagará antes de bajar.

### Si se detiene el movimiento de la cubierta de entrada de la campana:

Ubique y retire cualquier obstrucción.

### Para controlar la velocidad del ventilador:

Gire la perilla de control a una de cuatro posiciones

- Off (apagado)
- Bajo
- Medio
- Alto



## Limpeza y mantenimiento

La eficiencia del sistema de ventilación de tiro descendente depende de la limpieza de la cubierta de entrada y los filtros. La frecuencia de la limpieza depende de la cantidad y el tipo de cocina.

Siempre utilice el limpiador más suave para hacer el trabajo. Utilice paños limpios y secos o esponjas.

Utilice todos los productos siguiendo las instrucciones del paquete.

Frote el acabado de acero inoxidable en la misma dirección del grano. Seque el área para evitar las marcas de agua.

Después de la limpieza, vuelva a colocar todas las piezas en la posición correcta antes del uso.

No utilice el sistema de ventilación sin tener los filtros en su lugar o con los filtros o superficies llenos de grasa.

No use limpiadores de vapor para limpiar el electrodoméstico.

Las superficies ocultas pueden tener bordes afilados. Tenga cuidado al meter la mano detrás o debajo del electrodoméstico.

---

### ADVERTENCIA

- ⚠ **Para evitar el riesgo de incendio y explosión, no utilice líquidos o solventes inflamables. Siempre desconecte el electrodoméstico del suministro eléctrico antes de darle servicio.**
- 

---

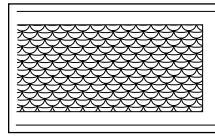
### ADVERTENCIA

- ⚠ **RIESGO DE QUEMADURAS**  
El electrodoméstico estará caliente cuando se use. Déjelo enfriar antes de limpiarlo.
- 

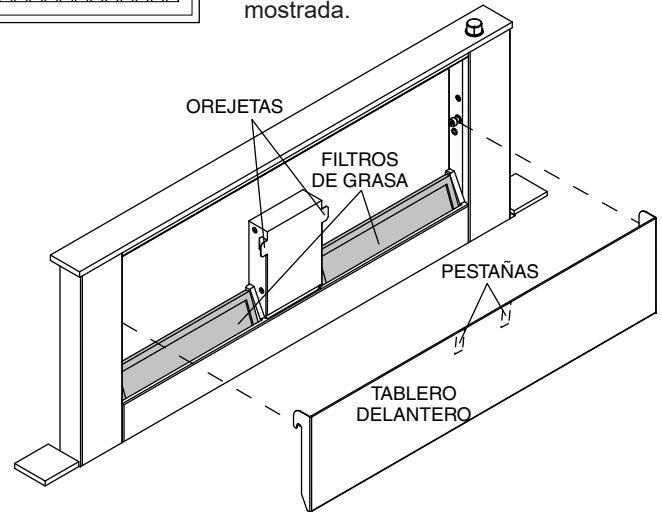
---

### ADVERTENCIA

- ⚠ **RIESGO DE DESCARGA ELÉCTRICA**  
La humedad que penetre puede provocar descargas eléctricas. Limpie el electrodoméstico con un paño húmedo solamente. Antes de limpiarlo, desconecte el enchufe o apague el disyuntor en la caja de fusibles.
- 



Para obtener el mejor desempeño: Reemplace los filtros de grasa con las aberturas en forma de media luna de frente hacia afuera, y con la orientación mostrada.



## Limpe los filtros de grasa:

Para retirar el tablero delantero, levántelo y hágalo pivotar hacia fuera en ángulo. El tablero puede retirarse completamente.

Una vez retirado el tablero delantero, saque los 2 filtros de grasa.

---

### ⚠ ADVERTENCIA

#### RIESGO DE INCENDIO

Los depósitos de grasa en el filtro pueden incendiarse. Limpie el filtro de grasa por lo menos cada dos meses o con la frecuencia que sea necesaria. Nunca opere el electrodoméstico sin el filtro de grasa.

---

### NOTAS:

- NO use agentes de limpieza agresivos, ácidos o alcalinos.
- NO use productos abrasivos, como lana de acero.
- NO use esponjas de celulosa. Algunas esponjas se procesan con sal y pueden provocar corrosión al dejar depósitos de sal en el metal.
- NO permita el contacto prolongado del acero inoxidable con compuestos de limpieza.
- NO UTILICE LIMPIADORES A BASE DE CLORO.
- Cuando limpie los filtros de grasa, limpie también el portafiltros de grasa metálico del electrodoméstico con un paño húmedo.
- Lave los filtros metálicos en el lavaplatos con un detergente sin fosfato. Los filtros de pueden descolorar si se lavan con detergentes con fosfato o debido a las características del agua local pero esto no afecta su desempeño. Esta descoloración no está cubierta por la garantía. A fin de reducir al mínimo o prevenir la descoloración, lave los filtros a mano con un detergente suave.

## En el lavaplatos:

**NOTA:** Se posible que ocurra una ligera decoloración cuando se limpian los filtros de grasa en el lavaplatos. Esto es normal y no afecta el rendimiento de los filtros de grasa.

- No limpie platos junto con filtros de grasa extremadamente sucios.
- Coloque los filtros de grasa en la bandeja superior del lavavajillas dejando espacio suficiente en torno a ellos. Lave los filtros en el ciclo normal. Los filtros de grasa no deben estar atascados.

Regrese a su lugar los filtros y el tablero delantero antes de usar el tiro descendente. Asegúrese de que los filtros están colocados correctamente.

Para volver a colocar el tablero delantero, alinee los soportes en la parte inferior y haga pivotar el tablero hacia la parte interior del aparato hasta que se asiente en su lugar o las pestañas encajen.

### ▲ PRECAUCIÓN

**De no acoplar adecuadamente las pestañas podría ocasionar que se atore la chimenea y que no se levante.**

## A mano:

**NOTA:** Puede utilizar un solvente especial de grasa si la suciedad es persistente. Lo puede ordenar a través de la tienda por Internet.

- Sumerja los filtros de grasa en una solución jabonosa caliente, preparada con un detergente suave.
- Utilice un cepillo para limpiarlos y luego enjuáguelos bien.
- Deje escurrir los filtros de grasa.

Limpie y seque la cubierta de entrada y vuelva a colocar o reemplace los filtros antes de utilizar el tiro descendente.

## Limpie la cubierta de entrada:

- Levante el panel frontal y sáquelo.
- Quite los dos filtros.
- Utilice un detergente suave. **NO USE PAÑOS ABRASIVOS, ALMOHADILLAS DE LANA DE ACERO NI POLVOS ABRASIVOS.**
- Limpie y vuelva a colocar o reemplace los dos filtros e instale el panel frontal antes de utilizar el tiro descendente.

**AVISO:** El uso de nombres de marcas pretende únicamente indicar un tipo de limpiador. Esto no constituye un respaldo. La omisión de algún nombre de marca de limpiador no implica que sea adecuado o inadecuado. Muchos productos se distribuyen a nivel regional y se pueden encontrar en los mercados locales. Es imperativo que los productos se usen siguiendo estrictamente las instrucciones del paquete.

**NOTA:** No utilice la estufa cuando la campana esté desarmada.

## Sustitución del filtro de carbón

Se recomienda sustituir el filtro de recirculación cada 6 meses. Sin embargo, esto puede variar según el tipo de cocina y la frecuencia con la que cocine.

Para cambiar el filtro de carbón, retire la placa de la cubierta decorativa (en el zócalo o en la base del armario) y sustitúyalo por uno nuevo, número de pieza UCVFILTER. Vuelva a instalar la placa de la cubierta decorativa.

## Agentes de limpieza

Con el fin de evitar que se dañen las distintas superficies debido al uso de agentes de limpieza inadecuados, siga las especificaciones descritas en la tabla. No utilice:

- agentes de limpieza abrasivos o fuertes,
- agentes de limpieza con un alto contenido de alcohol,
- fibras o esponjas abrasivas,
- limpiadores de alta presión o limpiadores de vapor.

Frote el acabado de acero inoxidable en la misma dirección del grano. Seque el área para evitar las marcas de agua.

Después de la limpieza, vuelva a colocar todas las piezas en la posición correcta antes del uso.

Enjuague bien todas las esponjas nuevas antes de usarlas. Siga todas las instrucciones y advertencias incluidas con los agentes de limpieza.

Área	Agentes de limpieza
Acero inoxidable	Agua jabonosa tibia: Limpie con un trapo para los platos y seque con una toalla suave. Solo limpie el acero inoxidable en dirección del grano. Hay disponibles productos específicos para el cuidado del acero inoxidable con el servicio al cliente o con vendedores especializados. Aplique una capa delgada del producto con un paño suave.
Superficies barnizadas	Agua jabonosa tibia: Limpie con un trapo para los platos húmedo y seque con una toalla suave. No utilice un limpiador para acero inoxidable.
Plástico y aluminio	Limpiador de vidrios: Limpie con un paño limpio.
Vidrio	Limpiador de vidrios: Limpie con un paño limpio. No utilice un raspador de vidrio.
Controles	Agua jabonosa tibia: Limpie con un trapo para los platos húmedo y seque con una toalla suave. Riesgo de daños a los componentes electrónicos debido a la humedad que penetra. Nunca limpie los controles con un paño húmedo. No utilice un limpiador para acero inoxidable.

## Resolución de problemas

Con frecuencia, usted puede eliminar por sí mismo los problemas que se pudieran presentar. Antes de llamar al servicio al cliente, considere la siguiente información.

### ▲ ADVERTENCIA

#### RIESGO DE DESCARGA ELÉCTRICA

Las reparaciones inadecuadas son peligrosas. Solo un encargado de servicio autorizado puede realizar reparaciones y puede reemplazar el cableado dañado. Si el electrodoméstico necesita servicio, desconecte el electrodoméstico o interrumpa el suministro eléctrico en el panel de servicio. Llame a un proveedor de servicio autorizado.

### Consejos para la resolución de problemas:

- Si el tiro descendente deja de funcionar, verifique el cable de alimentación y las conexiones a las cajas eléctricas. Una conexión podría haberse soltado.
- Si la unidad de tiro descendente deja de funcionar o la unidad falla, desconecte la unidad, espere 30 segundos y vuelva a conectarla para reiniciarla.
- Si los quemadores de gas hacen clic o se apagan en el ajuste bajo mientras el tiro descendente está en funcionamiento, verifique que el ventilador y el conducto de abajo estén sellados adecuadamente.
- Si la cubierta frontal hace ruido, deslícela hacia la izquierda o hacia la derecha. La tolerancia es para permitir el calentamiento y facilitar la extracción.
- El mecanismo de seguridad se activará si se coloca una obstrucción en la unidad. Retire la obstrucción y la unidad debe restaurarse.

## ATENCIÓN DE BOSCH®

### Antes de llamar al servicio

Vea la información de resolución de problemas en el Manual de uso y cuidado Consulte la “Declaración de garantía limitada del producto”.

Para comunicarse con un representante de servicio, vea la información de contacto al frente del manual. Cuando llame, tenga preparada la información impresa en la etiqueta de datos de su producto.

### Etiqueta de datos

La etiqueta de datos muestra el modelo y el número de serie. Cuando solicite el servicio, consulte la etiqueta de datos en el electrodoméstico.

La etiqueta de datos la puede encontrar al frente / abajo / a la izquierda de la cubierta del tiro descendente.

Para evitar tener que buscar cada detalle de la información cuando llame, puede ingresar los cuatro datos necesarios en los espacios siguientes.

N.º de modelo	
N.º de serie	
Fecha de la compra	
N.º de servicio al cliente	

Conserva su factura o documentos para validar la garantía, en caso de que necesite servicio.

### Servicio

Sabemos que usted ha realizado una inversión considerable en su cocina. Nos dedicamos a apoyarle a usted y a su electrodoméstico, de tal manera que tenga muchos años para cocinar de manera creativa.

No dude en comunicarse con nuestro Departamento de Atención al Cliente en caso de que tuviera preguntas o en el caso poco probable de que el electrodoméstico Bosch® necesite servicio. Nuestro equipo de servicio está listo para ayudarle.

**EE.UU.** 800-944-2904 [www.bosch-home.com/us/support](http://www.bosch-home.com/us/support)

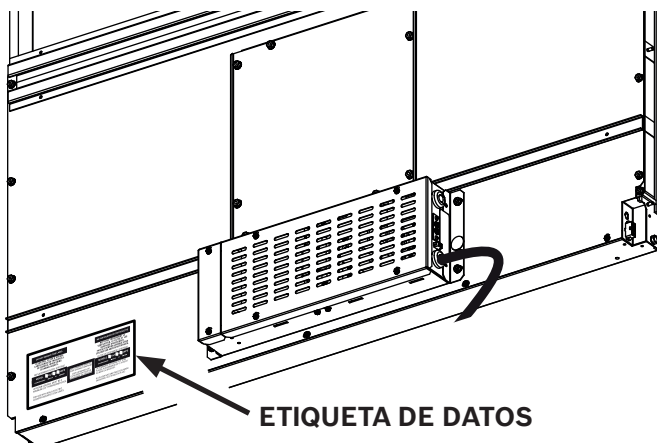
**Canadá** 800-944-2904 [www.bosch-home.ca/en/support](http://www.bosch-home.ca/en/support)

### Piezas y accesorios

Las piezas, filtros, desincrustantes, limpiadores de acero inoxidable y más se pueden comprar en la tienda electrónica de Bosch® o bien por teléfono.

**EE.UU.** [www.bosch-home.com/us/store](http://www.bosch-home.com/us/store)

**Canadá** Marcone 800-482-6022 o  
Reliable Parts 800-941-9217



# DECLARACIÓN DE GARANTÍA LIMITADA DEL PRODUCTO

## Lo que abarca esta garantía y a quién se aplica

La garantía limitada provista por BSH Home Appliances Corporation ("BSH") en esta declaración de garantía limitada del producto se aplica únicamente al electrodoméstico Bosch (el "Producto") vendido a usted, el primer comprador que lo utiliza, siempre y cuando el Producto se haya comprado:

- Para su uso normal y casero (no comercial) y, de hecho, se ha usado en todo momento únicamente para fines caseros normales.
- Nuevo al menudeo (no de exhibición, "tal cual" o modelo devuelto anteriormente), y no para reventa o uso comercial.
- Dentro de los Estados Unidos o Canadá, y en todo momento se ha mantenido dentro del país donde se compró originalmente.

La garantía descrita aquí es válida para el comprador original del producto cubierto por esta garantía y para todo usuario posterior del producto, adquirido para un uso doméstico, durante el término de la garantía.

BSH se reserva el derecho de solicitar un comprobante de compra en el momento en que se envíe cualquier reclamo de garantía, para confirmar que el Producto queda dentro del alcance de esta garantía limitada del producto.

Asegúrese de devolver su tarjeta de registro, aunque no es necesaria para efectuar la cobertura de la garantía; es la mejor manera como BSH le notifica sobre una posible situación de un aviso de seguridad o un retiro de producto.

## Cuánto tiempo dura la garantía

BSH garantiza que el Producto estará libre de defectos en materiales y mano de obra por un periodo de trescientos sesenta y cinco (365) días a partir de la fecha de compra. El plazo mencionado comienza a correr a partir de la fecha de compra y no se demorará, prolongará o suspenderá por ninguna razón.

Este Producto está garantizado también como libre de defectos cosméticos en materiales y mano de obra (como rayones en el acero inoxidable, manchas en la pintura/porcelana, astilladuras, abolladuras u otros daños en el acabado) del Producto, por un periodo de treinta (30) días a partir de la fecha de compra o la fecha de cierre para una construcción nueva. Esta garantía cosmética excluye variaciones ligeras en el color debidas a diferencias inherentes en las piezas pintadas y de porcelana, así como a diferencias ocasionadas por la iluminación de la cocina, ubicación del producto u otros factores similares. Esta garantía cosmética excluye específicamente cualquier electrodoméstico de exhibición, de piso, "tal cual" o de existencias "B".

## Reparación/reemplazo como su recurso exclusivo

Durante el periodo de esta garantía, BSH o uno de sus proveedores de servicio autorizados reparará su Producto sin cargo para usted (sujeto a ciertas limitaciones establecidas en la presente) si se comprueba que su Producto se fabricó con un defecto en materiales o en mano de obra. Si se han hecho intentos razonables de reparar el Producto sin éxito, entonces BSH reemplazará su Producto (podría tener disponibles modelos mejorados, a la exclusiva discreción de BSH, por un cargo adicional). Todas las piezas y componentes retirados serán propiedad de BSH a su opción exclusiva. Todas las piezas reemplazadas o reparadas asumirán la identidad de la pieza original para fines de esta garantía, y esta garantía no se prolongará con respecto a dichas piezas. La única responsabilidad de BSH al amparo de la presente es reparar solamente el Producto defectuoso del fabricante, empleando a un proveedor de servicio autorizado por BSH durante horas hábiles de trabajo. Por razones de seguridad y de daños a la propiedad, BSH recomienda encarecidamente que no trate usted mismo de reparar el Producto ni usar a un proveedor de servicio no autorizado; BSH no será responsable por las reparaciones o el trabajo realizado por un proveedor de servicio no autorizado. Si elige que alguien que no sea un proveedor de servicio autorizado realice un trabajo en su Producto, ESTA GARANTÍA QUEDARÁ NULA AUTOMÁTICAMENTE. Los proveedores de servicio autorizados son aquellas personas o compañías que han recibido capacitación especial en los productos BSH y que poseen, en opinión de BSH, una reputación superior en servicio al cliente y capacidad técnica (tome en cuenta que son entidades independientes y que no son agentes, socios, afiliados ni representantes de BSH). No obstante lo anterior, BSH no tendrá ninguna responsabilidad por el Producto si se encuentra en un área remota (a más de 100 millas de un proveedor de servicio autorizado) o si es un sitio, alrededores o entorno razonablemente inaccesible, peligroso, amenazante o traicionero; en cuyo caso, si lo solicita, BSH pagaría por mano de obra y piezas y enviaría las piezas al proveedor de servicio autorizado más cercano, pero usted sería totalmente responsable de cualquier tiempo de traslado u otros cargos especiales de parte de la compañía de servicio, suponiendo que ellos acepten realizar la llamada de servicio.



## Productos fuera de garantía

BSH no tiene ninguna obligación, por ley o de otra manera, de brindarle concesión alguna, incluyendo reparaciones, prorrates o reemplazo del Producto una vez que ha vencido la garantía.

## Exclusiones de garantía

La cobertura de la garantía descrita en la presente excluye todos los defectos o daños que no sean incumplimiento directo de BSH, incluyendo, entre otros, uno o más de los siguientes:

- Uso del producto de manera distinta a su manera normal, acostumbrada y prevista (incluyendo, entre otras, cualquier forma de uso comercial, uso o almacenamiento al exterior de un producto para interior, uso del Producto en conjunto con vehículos para desplazamiento por aire o por agua).
- Toda mala conducta realizada por alguna parte de manera intencional, negligencia, uso inadecuado, abuso, accidentes, descuido, operación indebida, incumplimiento en el mantenimiento, instalación inadecuada o negligente, manipulación indebida, incumplimiento de las instrucciones de operación, mal manejo, servicio no autorizado (incluyendo los “arreglos” realizados por usted mismo o la exploración del funcionamiento interno del electrodoméstico).
- Ajuste, alteración o modificación de cualquier tipo.
- Incumplimiento de cualquier código, reglamento o ley aplicable estatal, local, municipal o del condado sobre electricidad, plomería o construcción, incluyendo el incumplimiento de instalar el producto con apego estricto a los códigos y reglamentos locales de incendios y construcción.
- Uso y desgaste ordinarios, derrames de alimentos, líquidos, acumulaciones de grasa u otras sustancias que se acumulen sobre, en o alrededor del Producto.
- Toda fuerza y factor externo, de los elementos o el medio ambiente, incluyendo, entre otros: lluvia, viento, arena, inundaciones, incendios, deslizamientos de lodo, temperaturas congelantes, humedad excesiva o exposición prolongada a humedad, rayos, sobrecargas eléctricas, fallas estructurales alrededor del electrodoméstico y causas de fuerza mayor.

En ningún caso BSH tendrá responsabilidad alguna por daños a la propiedad circundante, incluyendo gabinetes, pisos, cielos rasos y otras estructuras u objetos alrededor del Producto. También quedan excluidos de esta garantía: Productos a los que se les haya alterado, desfigurado o eliminado los números de serie; visitas de servicio para enseñarle cómo utilizar el Producto, o visitas donde no haya nada malo en el Producto; corrección de problemas de instalación (usted es el único responsable de la estructura y colocación del Producto, incluyendo instalaciones de conexiones eléctricas, de plomería o de otro tipo, en cuanto a los cimientos/pisos adecuados, y por cualquier alteración que incluye, entre otras, gabinetes, paredes, pisos, anaqueles, etc.); y reinicio de disyuntores o fusibles.

HASTA DONDE LO PERMITA LA LEY, ESTA GARANTÍA DEFINE SUS RECURSOS EXCLUSIVOS CON RESPECTO AL PRODUCTO, YA SEA QUE EL RECLAMO SURJA POR CONTRATO O ACTO ILÍCITO (INCLUYENDO RESPONSABILIDAD ESTRICTA O NEGLIGENCIA) O DE OTRA MANERA. ESTA GARANTÍA ESTÁ EN LUGAR DE TODAS LAS DEMÁS GARANTÍAS, YA SEAN EXPRESAS O IMPLÍCITAS. TODA GARANTÍA IMPLÍCITA POR LEY, YA SEA PARA COMERCIALIZACIÓN O APTITUD PARA UN FIN EN PARTICULAR O DE OTRA MANERA, TENDRÁ VIGENCIA ÚNICAMENTE POR EL PERIODO DE VIGENCIA DE ESTA GARANTÍA LIMITADA EXPRESA. EN NINGÚN CASO EL FABRICANTE SERÁ RESPONSABLE POR DAÑOS RESULTANTES, ESPECIALES, INCIDENTALES, INDIRECTOS, “PÉRDIDA DE NEGOCIO” O DAÑOS PUNITIVOS, PÉRDIDAS O GASTOS, INCLUYENDO, ENTRE OTROS, TIEMPO LEJOS DEL TRABAJO, HOTELES O ALIMENTOS EN RESTAURANTES, GASTOS DE REMODELACIÓN EN EXCESO O DAÑOS DIRECTOS QUE SEAN CAUSADOS DE MANERA DEFINITIVA EXCLUSIVAMENTE POR BSH O DE OTRA MANERA. ALGUNOS ESTADOS NO PERMITEN LA EXCLUSIÓN O LA LIMITACIÓN DE DAÑOS INCIDENTALES O DE CONSECUENCIA, Y ALGUNOS ESTADOS NO PERMITEN LIMITACIONES SOBRE CUÁNTO TIEMPO DURA UNA GARANTÍA LIMITADA, ASÍ QUE LAS LIMITACIONES ANTERIORES PODRÍAN NO APLICARSE A USTED. ESTA GARANTÍA LE OTORGA DERECHOS LEGALES ESPECÍFICOS, Y PODRÍA TENER OTROS DERECHOS QUE VARÍAN DE UN ESTADO A OTRO.

Ningún intento por alterar, modificar o enmendar esta garantía tendrá validez, a menos que esté autorizado por escrito por un funcionario de BSH.



# BOSCH

1901 Main Street, Suite 600 • Irvine, CA 92614 • 800-944-2904  
www.bosch-home.com • © 2019 BSH Home Appliances

8001154565  
99045316D