

Features and Benefits



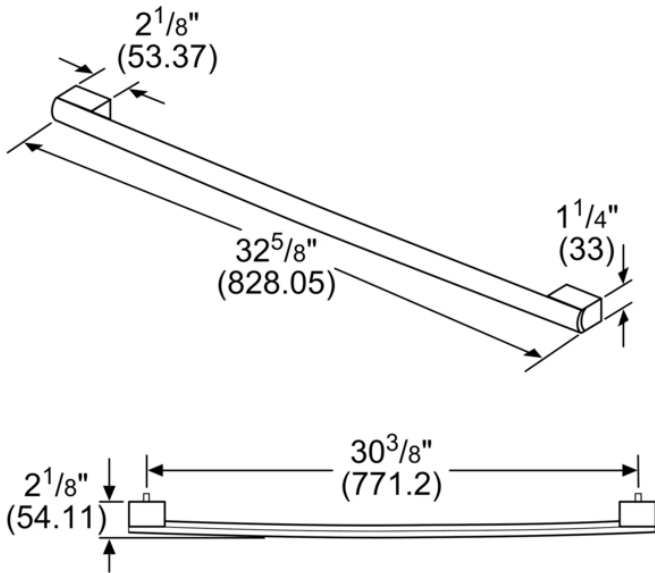
Notes: All height, width and depth dimensions are shown in inches. *Please refer to installation instructions prior to making cutout. BSH reserves the absolute and unrestricted right to change product materials and specifications, at any time, without notice. Consult the product's installation instructions for final dimensional data and other details. Applicable product warranty can be found in a accompanying product literature or you may contact your account manager for further details.

For more information on our entire line of products, go to boschappliances.com or call 1-800-944-2904.
Copyright ©2023 BSH Home Appliances Corporation. All rights reserved. Bosch is a registered trademark of Robert Bosch GmbH.

Litho Date: 06/2023



BOSCH



measurements in inches (mm)

Features

Product group	Accessory
Brand	Bosch
Product name / series name	
SKU	B36HNDL800
Internal article number	B36HNDL800
EAN code	4242002927480
Product packaging dimensions (HxWxD)	2.36 x 36.61 x 4.05
Net weight	2.000
Gross weight	2.000
Quantity per packing unit	
Standard number of units per pallet	48
UPC code	825225921790
Product image	MCSA02456525_i7782_1833027_B36HNDL800_kor

Technical Specification

Notes: All height, width and depth dimensions are shown in inches. *Please refer to installation instructions prior to making cutout. BSH reserves the absolute and unrestricted right to change product materials and specifications, at any time, without notice. Consult the product's installation instructions for final dimensional data and other details. Applicable product warranty can be found in a accompanying product literature or you may contact your account manager for further details.

For more information on our entire line of products, go to boschappliances.com or call 1-800-944-2904.

Copyright ©2023 BSH Home Appliances Corporation. All rights reserved. Bosch is a registered trademark of Robert Bosch GmbH.

Litho Date: 06/2023