

# 30" Steam Convection Combination Oven

Benchmark® Series – Stainless Steel HSLP751UC



**BOSCH**  
Invented for life



**HSLP751UC**  
Stainless Steel

The steam convection combination oven allows for great results and features an oven with a QuietClose® door.

## Features & Benefits

The steam oven cooks meats, vegetables, rice and fish to perfection.

Dampened hinges softly and quietly guide the QuietClose® door shut.

The color TFT control panel with SteelTouch® buttons is easy to use.

Convection Pro combines a third heating element with a back fan for even browning and time savings by using multiple racks at one time.

A full-extension telescopic rack offers safe access to the oven cavity.

The wall oven is designed to be installed flush with cabinetry.

## General Properties

Oven modes – upper cavity	Steam, Steam Convection, Convection Multi-Rack, Reheat, Keep Warm, Defrost, Slow Cook, Proof, Dish Warming, 2 Chicken and 7 Vegetable Programs
---------------------------	--

Oven modes – lower cavity	Bake, Variable Broil (hi & low), Roast, Warm, Sabbath, Proof Dough, Convection Bake, Convection Broil, Convection Roast, Pizza, Convection Multi-Rack, Convection Conversion, AutoProbe, Fast Preheat, EcoChef, Speed Convection (Frozen Foods)
---------------------------	---

Cleaning type – lower	Self Clean
-----------------------	------------

Telescopic rack	1
-----------------	---

Illumination type	Halogen (Upper and Lower)
-------------------	---------------------------

Interior lights – upper / lower cavity	1 / 2
--	-------

## Oven Performance

Bake / broil element – upper cavity	1,960 W**
-------------------------------------	-----------

Bake / broil element – lower cavity	2,400 / 3,800 W
-------------------------------------	-----------------

Convection element – lower cavity	1,960 W / 2,000 W
-----------------------------------	-------------------

## Technical Details

Watts	8,325 W
-------	---------

Circuit breaker	40 A
-----------------	------

Volts; Frequency	240 / 208 V; 60 Hz
------------------	--------------------

Power cord length	60"
-------------------	-----

Plug type	Fixed Connection, No Plug
-----------	---------------------------

Energy source	Electric
---------------	----------

Installation Type	Non-plumbed
-------------------	-------------



## Dimensions & Weight

Overall appliance dimensions (HxWxD)	49" x 29 3/4" x 24 1/2"
--------------------------------------	-------------------------

Required cutout size – Standard (HxWxD)	48 5/8" x 28 1/2" x 23 1/2"
---	-----------------------------

Required cutout size – Flush (HxWxD)	49 1/8" x 30" x 24 1/2"
--------------------------------------	-------------------------

Oven cavity size – upper	1.4 cu. ft.
--------------------------	-------------

Oven cavity size – lower	4.6 cu. ft.
--------------------------	-------------

Overall lower oven interior dimensions (HxWxD)	17 13/16" x 24 1/8" x 18"
--	---------------------------

Usable lower oven interior dimensions (HxWxD)	12 5/16" x 23 1/4" x 15 1/4"
---	------------------------------

Net weight	219 lbs
------------	---------

## Accessories—Included

Upper Oven: Wire rack, Perforated Cooking Pan – Full Size, Baking Tray, Perforated Cooking Pan – Half Size, Cooking Pan – Half Size Lower Oven: 1 Telescopic and 2 Standard Oven Racks, Temperature Probe, Broiler Pan

## Accessories—Optional



**11027159**  
Cooking pan – full size, 1 5/8" deep [not included with product]



**00664949**  
Baking tray – full size, 1 1/8" deep



**00577553**  
Perforated cooking pan – half size, 1 5/8" deep



**00577552**  
Cooking pan – half size, 1 5/8" deep



**HEZTR301**  
30" Telescopic Rack



**00798845**  
30" Flat Rack



**00449757**  
Broiler Pan

\*\*Element below water reservoir that generates steam

**Accessories:** To purchase Bosch accessories, cleaners & parts please visit [www.bosch-home.com/us/store](http://www.bosch-home.com/us/store) or call 1-800-944-2904 (Mon to Fri 5 am to 6 pm PST, Sat 6 am to 3 pm PST).

**Notes:** All height, width and depth dimensions are shown in inches. BSH reserves the absolute and unrestricted right to change product materials and specifications, at any time, without notice. Consult the product's installation instructions for final dimensional data and other details prior to making cutout.

**Warranties:** Please see Use & Care manual or Bosch website for statement of limited warranty.

**For more information on our entire line of products, go to [www.bosch-home.com/us](http://www.bosch-home.com/us) or call 1-800-944-2904**

© BSH Home Appliances Corporation. All rights reserved. Bosch is a registered trademark of Robert Bosch GmbH.

# 30" Steam Convection Combination Oven

Benchmark® Series – Stainless Steel HSLP751UC

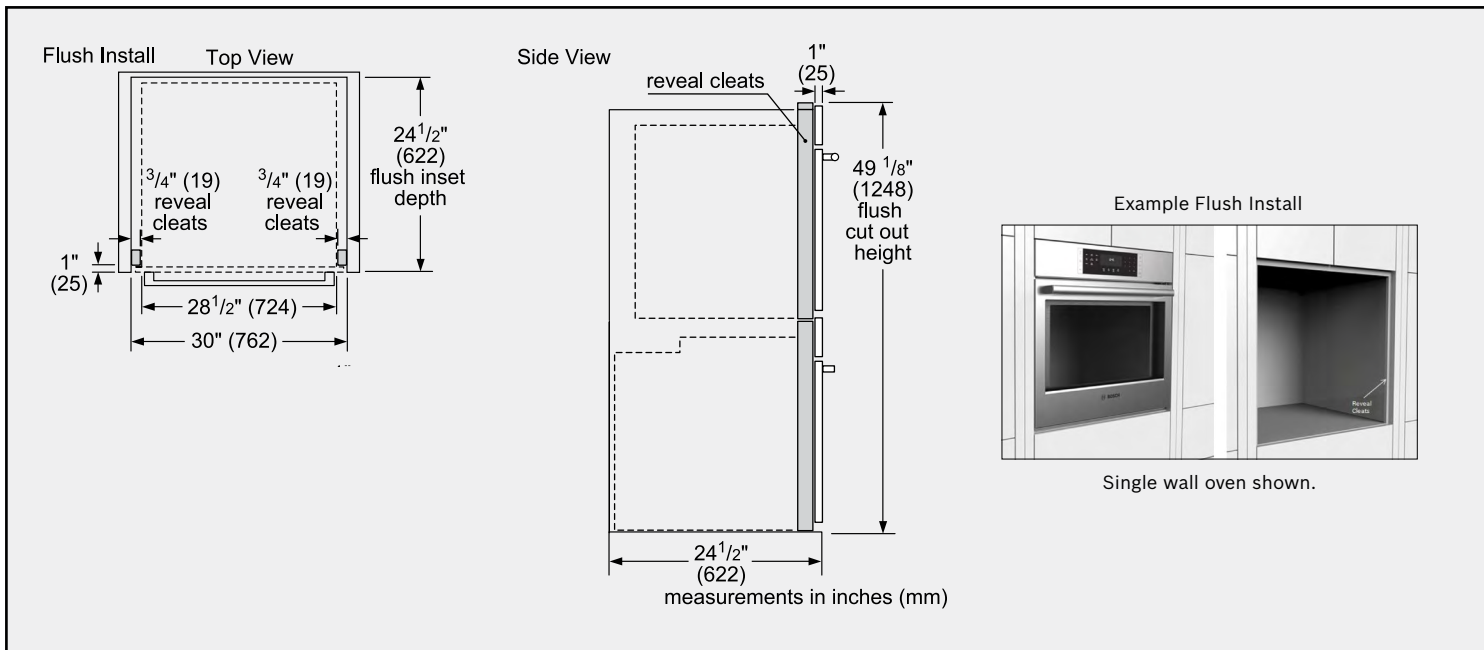
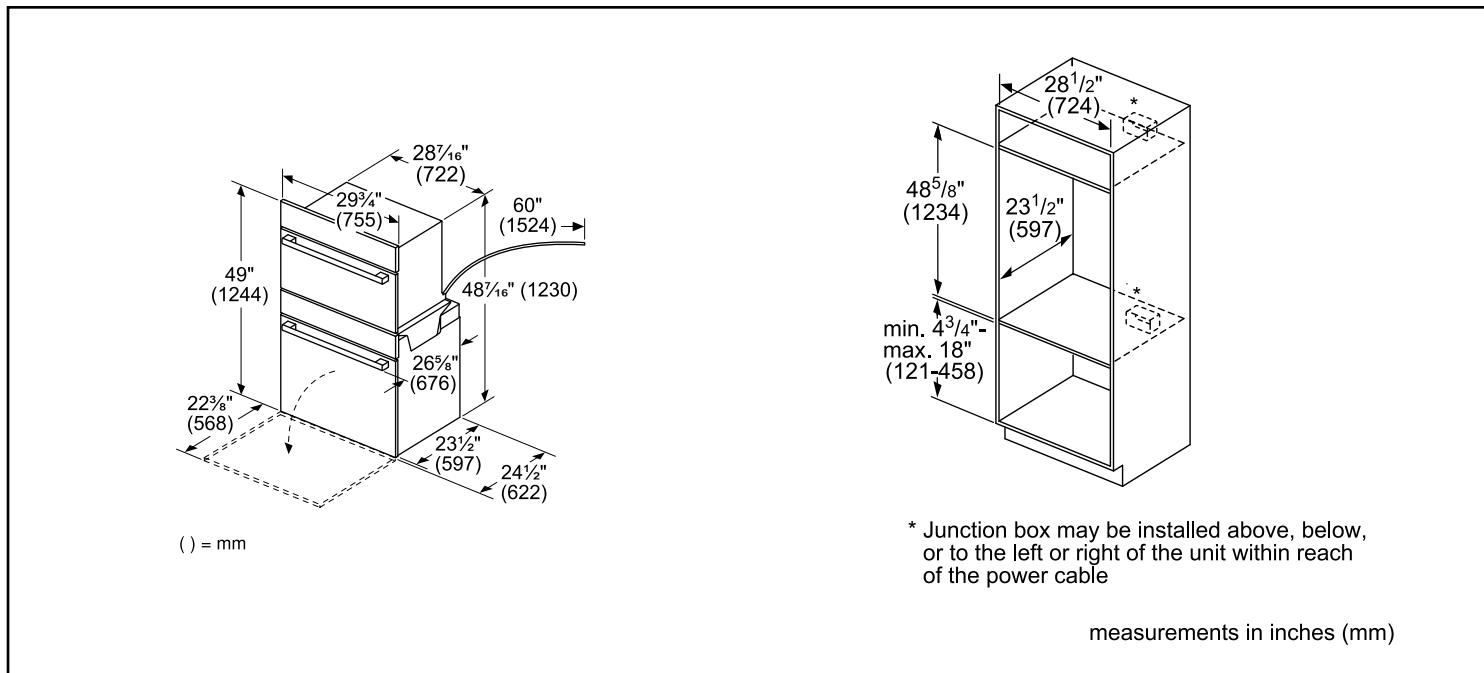


**BOSCH**

Invented for life



## Installation Details



**Accessories:** To purchase Bosch accessories, cleaners & parts please visit [www.bosch-home.com/us/store](http://www.bosch-home.com/us/store) or call 1-800-944-2904 (Mon to Fri 5 am to 6 pm PST, Sat 6 am to 3 pm PST).

**Notes:** All height, width and depth dimensions are shown in inches. BSH reserves the absolute and unrestricted right to change product materials and specifications, at any time, without notice. Consult the product's installation instructions for final dimensional data and other details prior to making cutout.

**Warranties:** Please see Use & Care manual or Bosch website for statement of limited warranty.

**For more information on our entire line of products, go to [www.bosch-home.com/us](http://www.bosch-home.com/us) or call 1-800-944-2904**

© BSH Home Appliances Corporation. All rights reserved. Bosch is a registered trademark of Robert Bosch GmbH.

# 30" Steam Convection Combination Oven

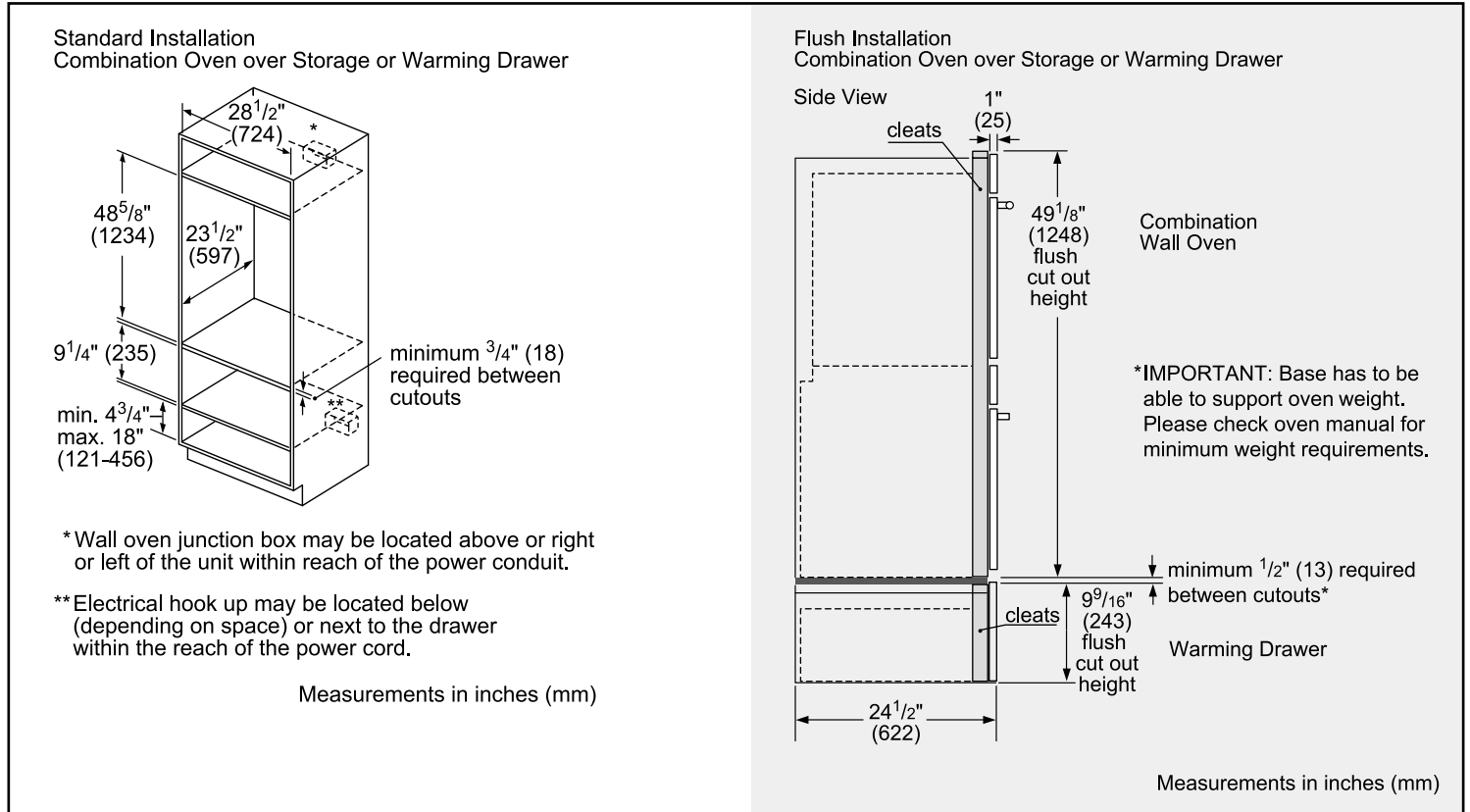
Benchmark® Series – Stainless Steel HSLP751UC



**BOSCH**  
Invented for life



## Installation Details



**Accessories:** To purchase Bosch accessories, cleaners & parts please visit [www.bosch-home.com/us/store](http://www.bosch-home.com/us/store) or call 1-800-944-2904 (Mon to Fri 5 am to 6 pm PST, Sat 6 am to 3 pm PST).

**Notes:** All height, width and depth dimensions are shown in inches. BSH reserves the absolute and unrestricted right to change product materials and specifications, at any time, without notice. Consult the product's installation instructions for final dimensional data and other details prior to making cutout.

**Warranties:** Please see Use & Care manual or Bosch website for statement of limited warranty.

**For more information on our entire line of products, go to [www.bosch-home.com/us](http://www.bosch-home.com/us) or call 1-800-944-2904**

© BSH Home Appliances Corporation. All rights reserved. Bosch is a registered trademark of Robert Bosch GmbH.