

30" Built-In Custom Panel Bottom-Freezer

Benchmark® Series – Custom Panel B30IB800SP



B30IB800SP
Custom Panel

This 30" Custom Panel built-in refrigerator works efficiently to prevent the transfer of flavors and keep produce fresh longer.

Features & Benefits

Installs either completely flush or framed.

Bright all LED lighting shines throughout the entire interior.

Dual evaporators prevent odor transfer and optimize freshness.

Optiflex® Hinge allows flush-mount doors with no worry about cabinetry.

ENERGY STAR® qualified for energy efficiency.

General Properties	
Reversible door hinge	Yes
Water filter	Yes
Lighting	LED side wall theater
Defrost process refrigerator section	Frost-free
Number of shelves - refrigerator	3
Adjustable shelves - refrigerator	2
Shelf material - refrigerator	Glass w/ metal trim
Type of shelves - refrigerator	Full width
Gallon storage bins	1
Humidity control drawer	Yes - 1
Defrost process freezer section	Automatic
Number of drawers - freezer	2
Adjustable shelves - freezer	0
Shelf material - freezer	Stainless steel
Type of shelves - freezer	0
Ice maker	Yes
Quick ice	No
Capacity	
Total unit gross capacity (cu. ft.) - AHAM	16 cu. ft.
Refrigerator gross capacity (cu. ft.)	11.2 cu. ft.
Freezer gross capacity (cu. ft.)	4.8 cu. ft.

Technical Details	
Watts (W)	588 W
Current (A)	15 A
Volts (V)	120 V
Frequency (Hz)	60 Hz
Power cord length (in.)	78 3/4"
Plug type	120V-3 prong
Dimensions & Weight	
Appliance dimensions (H x W x D) (in.)	84" x 29 3/4" x 24"
Required cutout size (H x W x D) (in.)	84" x 30" x 25"
Net weight (lbs)	395 lbs
Efficiency	
ENERGY STAR® qualified	Yes
Energy consumption (kWh/yr)	546 kWh



Accessories: To purchase Bosch accessories, cleaners & parts please visit www.bosch-home.com/us/store or call 1-800-944-2904 (Mon to Fri 5 am to 6 pm PST, Sat 6 am to 3 pm PST).

Notes: All height, width and depth dimensions are shown in inches. BSH reserves the absolute and unrestricted right to change product materials and specifications, at any time, without notice. Consult the product's installation instructions for final dimensional data and other details prior to making cutout.

Warranties: Please see Use & Care manual or Bosch website for statement of limited warranty.

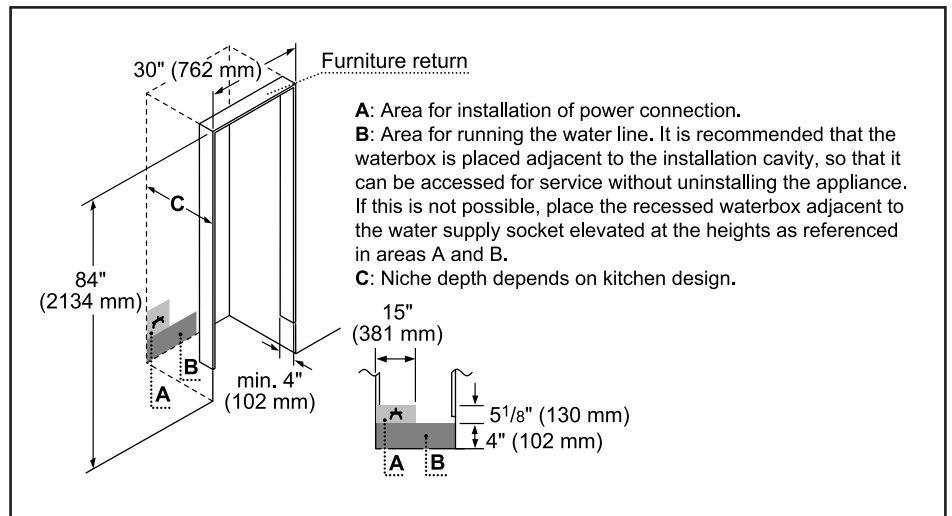
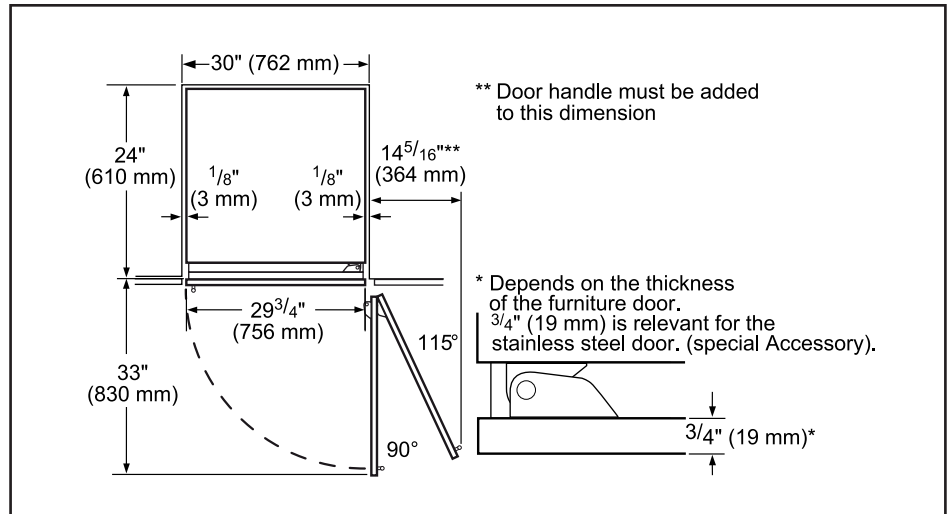
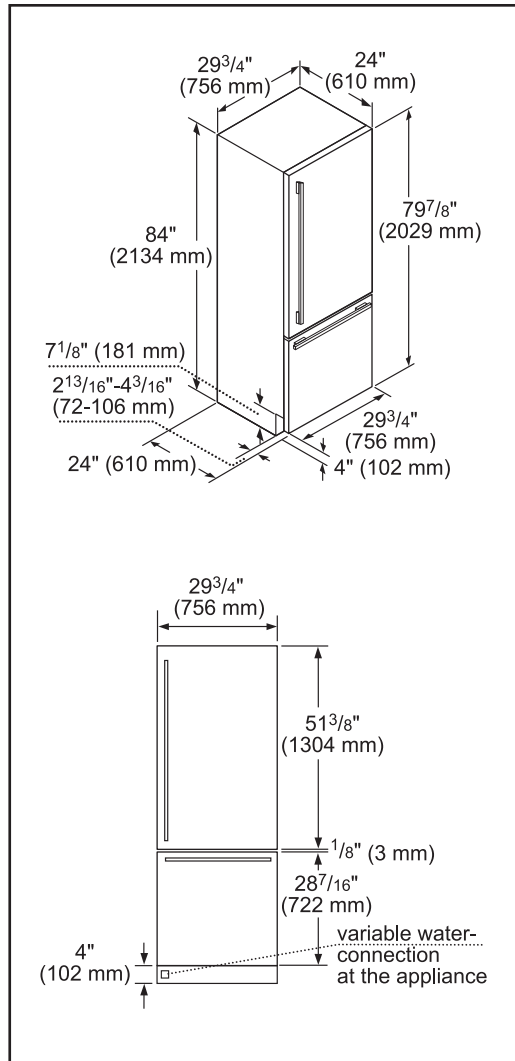
For more information on our entire line of products, go to www.bosch-home.com/us or call 1-800-944-2904

© BSH Home Appliances Corporation. All rights reserved. Bosch is a registered trademark of Robert Bosch GmbH.

30" Built-In Custom Panel Bottom-Freezer

Benchmark® Series – Custom Panel B30IB800SP

Installation Details



Accessories: To purchase Bosch accessories, cleaners & parts please visit www.bosch-home.com/us/store or call 1-800-944-2904 (Mon to Fri 5 am to 6 pm PST, Sat 6 am to 3 pm PST).

Notes: All height, width and depth dimensions are shown in inches. BSH reserves the absolute and unrestricted right to change product materials and specifications, at any time, without notice. Consult the product's installation instructions for final dimensional data and other details prior to making cutout.

Warranties: Please see Use & Care manual or Bosch website for statement of limited warranty.

For more information on our entire line of products, go to www.bosch-home.com/us or call 1-800-944-2904

© BSH Home Appliances Corporation. All rights reserved. Bosch is a registered trademark of Robert Bosch GmbH.