

# 36" Induction Cooktop

500 Series – Black NIT5668UC



**NIT5668UC**  
Black

The 500 Series induction cooktop is sleek in design, and offers quick and even cooking results.

## Features & Benefits

Induction – faster than gas and electric cooktops. Precise cooking, easy cleaning and more efficient

12" dual-ring center cooking zone for large pots and pans

17 power levels for each cooking zone

Each cooking zone has an independent countdown timer

SpeedBoost® – adds even more power to speed up the cooking process

## Element Performance

Power of Front Left heating element 1,800 W

Power of Front Left heating element (in boost) 3,100 W

Power of Back Left heating element 1,800 W

Power of Back Left heating element (in boost) 3,100 W

Power of Center heating element 3,300 / 2,200 W

Power of Center heating element (in boost) 5,400 / 3,700 W

Power of Back Right heating element 1,400 W

Power of Back Right heating element (in boost) 2,200 W

Power of Front Right heating element 2,200 W

Power of Front Right heating element (in boost) 3,700 W

Burners with booster All

## Element Size

Dimension of Front Left heating element 7"

Dimension of Back Left heating element 7"

Dimension of Center heating element 12", 9"

Dimension of Back Right heating element 6"

Dimension of Front Right heating element 9"

## Technical Details

Watts 9,600 W

Circuit breaker 40 A

Volts 208-240 V

Frequency 60 Hz

Plug type No plug

Power cord length 37"

Energy source Electric

## Dimensions & Weight

Overall appliance dimensions (HxWxD) 5/16" +4 1/8" x 37" x 21 1/4"

Required cutout size (HxWxD) 4 1/8" x 34 7/8" x 20"

Minimum distance from counter front 2 1/4"

Minimum distance from rear wall 2"

Net weight 53 lbs

## Accessories—Optional



**HEZ390210**  
8" AutoChef® pan



**HEZ390220**  
9" AutoChef® pan



**HEZ390230**  
10" AutoChef® pan



For help and assistance with Bosch accessories please visit: [www.bosch-eshop.com/eshop/bosch/us](http://www.bosch-eshop.com/eshop/bosch/us) or call 1-800-944-2904 Mon-Fri 5am to 6pm PST Sat 6am to 3pm PST

Notes: All height, width and depth dimensions are shown in inches. BSH reserves the absolute and unrestricted right to change product materials and specifications, at any time, without notice. Consult the product's installation instructions for final dimensional data and other details prior to making cutout. Applicable product warranty can be found in accompanying product literature or you may contact your account manager for further details.

Warranties: Bosch warrants that the Product is free from defects in materials and workmanship for a period of three hundred and sixty-five (365) days from the date of purchase. The foregoing timeline begins to run upon the date of purchase, and shall not be stalled, tolled, extended, or suspended, for any reason whatsoever. This Product is also warranted to be free from cosmetic defects in material and workmanship (such as scratches of stainless steel, paint/porcelain blemishes, chip, dents, or other damage) to the finish of the Product, for a period of thirty (30) days from the date of purchase or closing date for new construction. This cosmetic warranty excludes slight color variations due to inherent differences in painted and porcelain parts, as well as differences caused by kitchen lighting, product location, or other similar factors. This cosmetic warranty specifically excludes any display, floor, "As Is", or "B" stock appliances.

For more information on our entire line of products, go to [www.bosch-home.com/us](http://www.bosch-home.com/us) or call 1-800-944-2904

© BSH Home Appliances Corporation. All rights reserved. Bosch is a registered trademark of Robert Bosch GmbH.

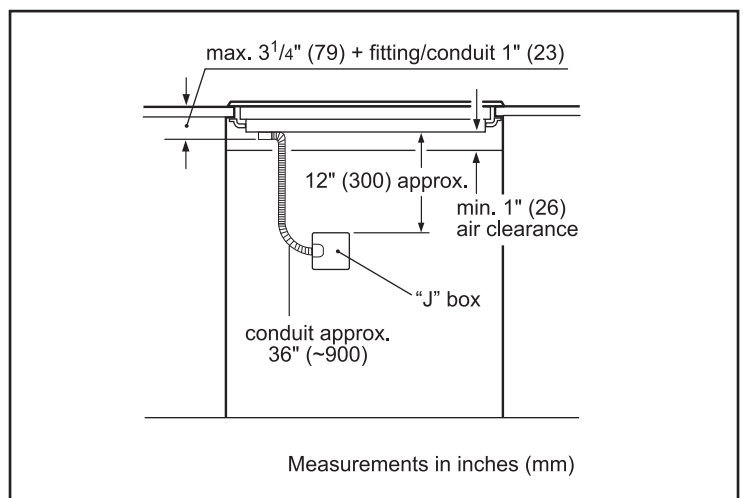
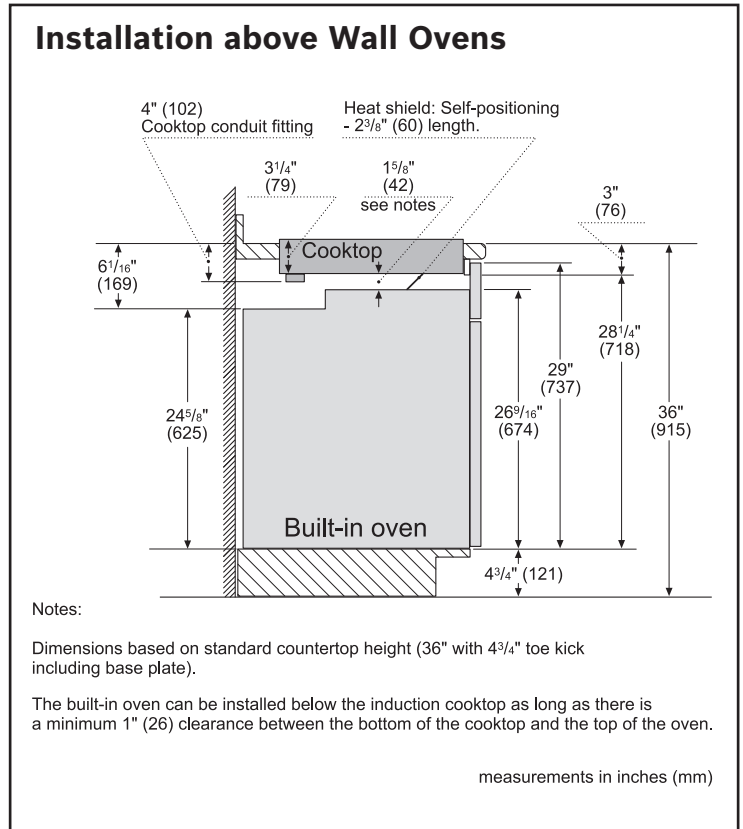
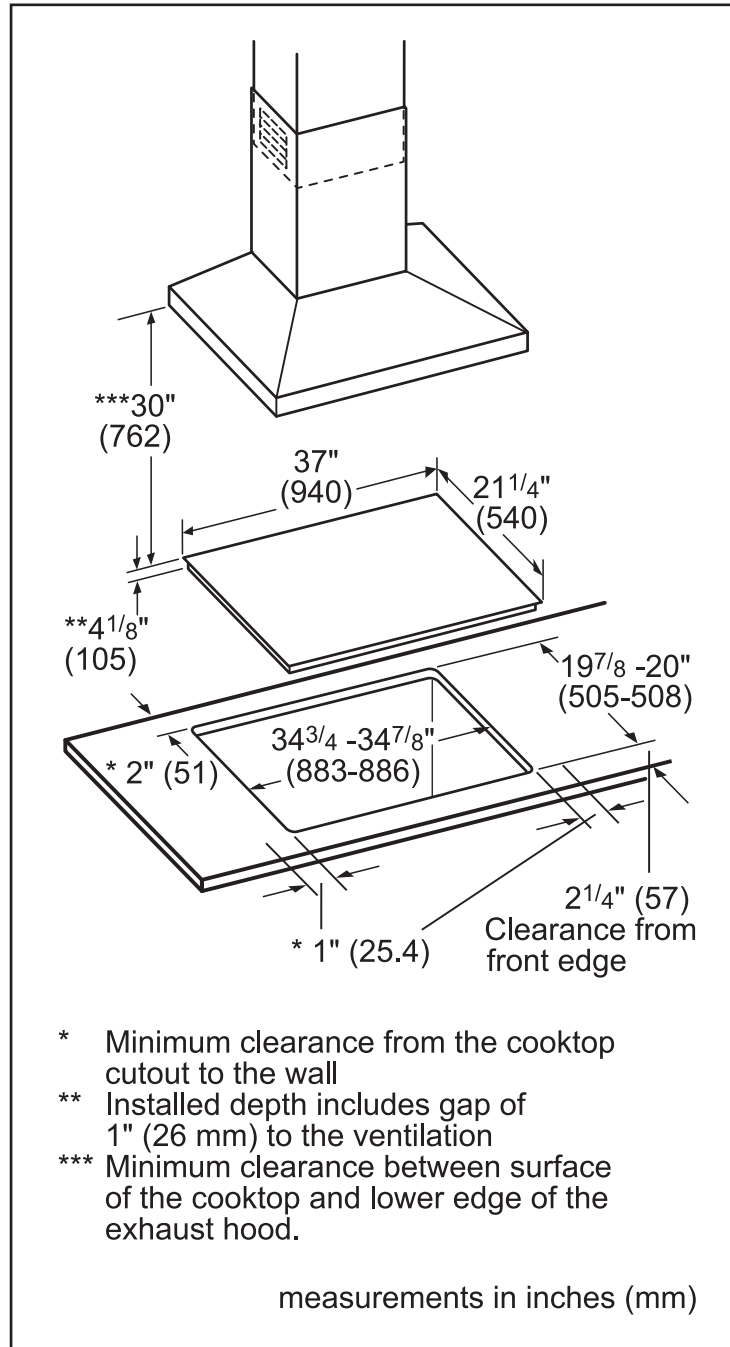
# 36" Induction Cooktop

500 Series – Black NIT5668UC



**BOSCH**  
Invented for life

## Installation Details



For help and assistance with Bosch accessories please visit: [www.bosch-eshop.com/eshop/bosch/us](http://www.bosch-eshop.com/eshop/bosch/us) or call 1-800-944-2904 Mon-Fri 5am to 6pm PST Sat 6am to 3pm PST

Notes: All height, width and depth dimensions are shown in inches. BSH reserves the absolute and unrestricted right to change product materials and specifications, at any time, without notice. Consult the product's installation instructions for final dimensional data and other details prior to making cutout. Applicable product warranty can be found in accompanying product literature or you may contact your account manager for further details.

Warranties: Bosch warrants that the Product is free from defects in materials and workmanship for a period of three hundred and sixty-five (365) days from the date of purchase. The foregoing timeline begins to run upon the date of purchase, and shall not be stalled, tolled, extended, or suspended, for any reason whatsoever. This Product is also warranted to be free from cosmetic defects in material and workmanship (such as scratches of stainless steel, paint/porcelain blemishes, chip, dents, or other damage) to the finish of the Product, for a period of thirty (30) days from the date of purchase or closing date for new construction. This cosmetic warranty excludes slight color variations due to inherent differences in painted and porcelain parts, as well as differences caused by kitchen lighting, product location, or other similar factors. This cosmetic warranty specifically excludes any display, floor, "As Is", or "B" stock appliances.

For more information on our entire line of products, go to [www.bosch-home.com/us](http://www.bosch-home.com/us) or call 1-800-944-2904

© BSH Home Appliances Corporation. All rights reserved. Bosch is a registered trademark of Robert Bosch GmbH.