

HUIRED56UC

CFM Reducer Kit - 36" Pull-Out Hoods

500 Series - 36" HUI



Features and Benefits



Notes: All height, width and depth dimensions are shown in inches. *Please refer to installation instructions prior to making cutout. BSH reserves the absolute and unrestricted right to change product materials and specifications, at any time, without notice. Consult the product's installation instructions for final dimensional data and other details. Applicable product warranty can be found in a accompanying product literature or you may contact your account manager for further details.

For more information on our entire line of products, go to boschappliances.com or call 1-800-944-2904.
Copyright ©2023 BSH Home Appliances Corporation. All rights reserved. Bosch is a registered trademark of Robert Bosch GmbH.

Litho Date: 05/2023

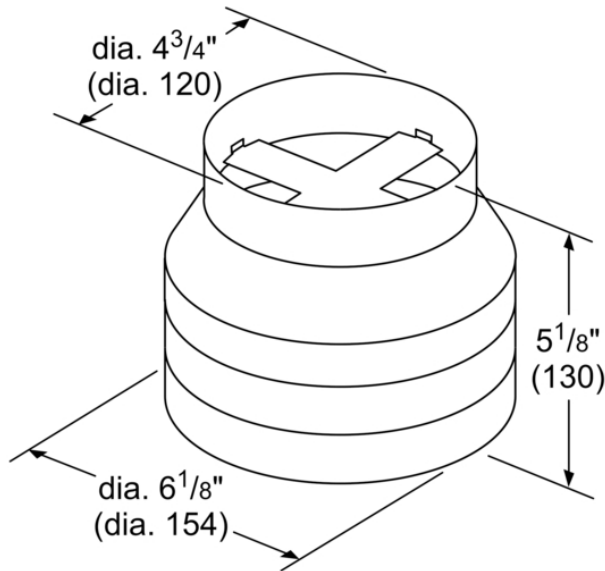
HUIRED56UC

CFM Reducer Kit - 36" Pull-Out Hoods

500 Series - 36" HUI



BOSCH



measurements in inches (mm)

Features

Product group	Accessory
Brand	Bosch
Product name / series name	
SKU	HUIRED56UC
Internal article number	00000000012011655
EAN code	4242002942407
Product packaging dimensions (HxWxD)	
Net weight	1.000
Gross weight	2.000
Quantity per packing unit	
Standard number of units per pallet	36
UPC code	825225923749
Product image	MCSA01684368_G3801_HUIRED56UC_1132122_

Technical Specification

Notes: All height, width and depth dimensions are shown in inches. *Please refer to installation instructions prior to making cutout. BSH reserves the absolute and unrestricted right to change product materials and specifications, at any time, without notice. Consult the product's installation instructions for final dimensional data and other details. Applicable product warranty can be found in a accompanying product literature or you may contact your account manager for further details.

For more information on our entire line of products, go to boschappliances.com or call 1-800-944-2904.

Copyright ©2023 BSH Home Appliances Corporation. All rights reserved. Bosch is a registered trademark of Robert Bosch GmbH.

Litho Date: 05/2023