

# 30" Speed Oven

800 Series – Stainless Steel HMC80252UC



**BOSCH**  
Invented for life



**HMC80252UC**  
Stainless Steel

Also available in:

Black HMC80242UC  
Stainless Steel

**The speed oven pairs the cooking qualities of a conventional oven with the speed of microwave technology.**

## Features & Benefits

SpeedChef® cooking cycles offer faster cooking times for your convenience.

Flush install matches Bosch wall oven, steam oven, or warming drawer.

2-in-1 microwave and convection oven for a variety of cooking options.

30" width can be installed in horizontal and vertical configuration.

LED lights

## General Properties

|                      |                 |
|----------------------|-----------------|
| Cavity material      | Stainless steel |
| Max. microwave power | 1,000 W         |

## Capacity

|                    |             |
|--------------------|-------------|
| Cavity capacity    | 1.6 cu. ft. |
| Turntable diameter | 14 1/8"     |

## Technical Details

|                   |                                     |
|-------------------|-------------------------------------|
| Watts             | 3,840 W                             |
| Circuit breaker   | 16 A                                |
| Volts             | 208-240 V                           |
| Frequency         | 60 Hz                               |
| Power cord length | 48"                                 |
| Plug type         | Fixed connection, 8" stripped wires |



## Dimensions & Weight

|                                          |                                    |
|------------------------------------------|------------------------------------|
| Overall appliance dimensions (HxWxD)     | 19 5/8" x 29 3/4" x 22 3/8"        |
| Required cutout size (HxWxD)             | (Standard) 19 1/4" x 28 1/2" x 22" |
|                                          | (Flush) 20 1/8" x 30" x 23 1/2"    |
| Oven overall interior dimensions (HxWxD) | 9 7/8" x 16 1/2" x 16 1/2"         |
| Turntable – Metal Max. Cookware          | 12 3/4" dia.                       |
| Turntable – Ceramic Max. Cookware        | 12 1/2" dia.                       |
| Rack – Rectangular Cookware Max.         | 15" x 12"                          |
| Net weight                               | 92 lbs                             |

## Accessories—Included

|          |                                                     |
|----------|-----------------------------------------------------|
| Included | Metal turntable, cooking rack, ceramic cooking tray |
|----------|-----------------------------------------------------|

\*To be fully ADA compliant, these units must be installed according to ADA guidelines. Please check current ADA requirements for guidance on installation.

**Accessories:** To purchase Bosch accessories, cleaners & parts please visit [www.bosch-home.com/us/store](http://www.bosch-home.com/us/store) or call 1-800-944-2904 (Mon to Fri 5 am to 6 pm PST, Sat 6 am to 3 pm PST).

**Notes:** All height, width and depth dimensions are shown in inches. BSH reserves the absolute and unrestricted right to change product materials and specifications, at any time, without notice. Consult the product's installation instructions for final dimensional data and other details prior to making cutout.

**Warranties:** Please see Use & Care manual or Bosch website for statement of limited warranty.

**For more information on our entire line of products, go to [www.bosch-home.com/us](http://www.bosch-home.com/us) or call 1-800-944-2904**

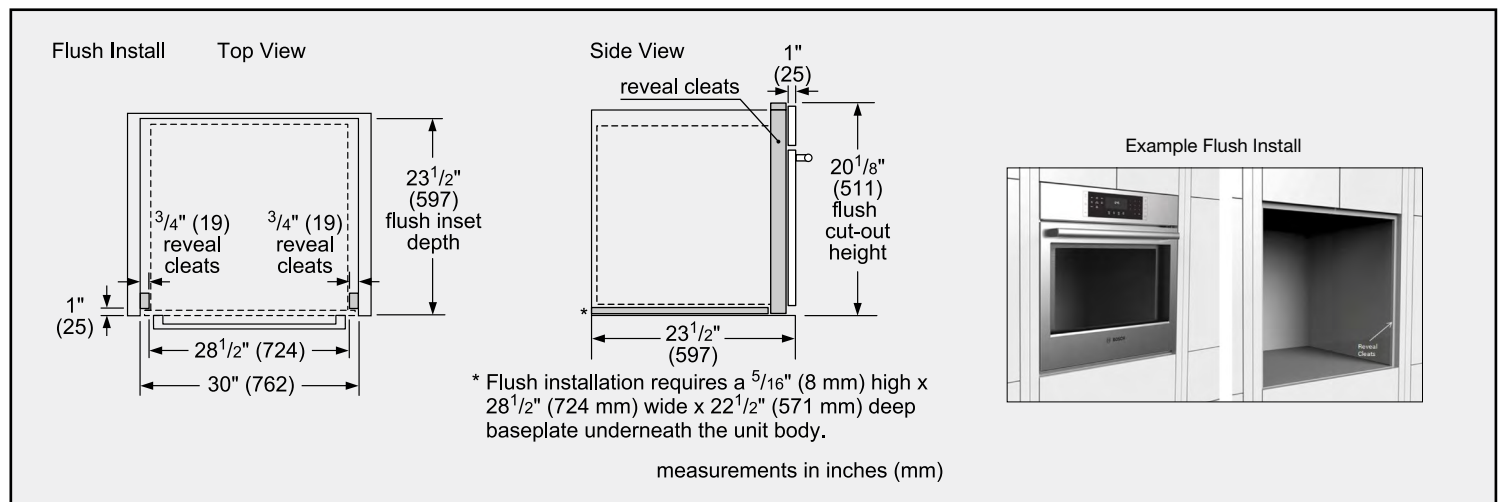
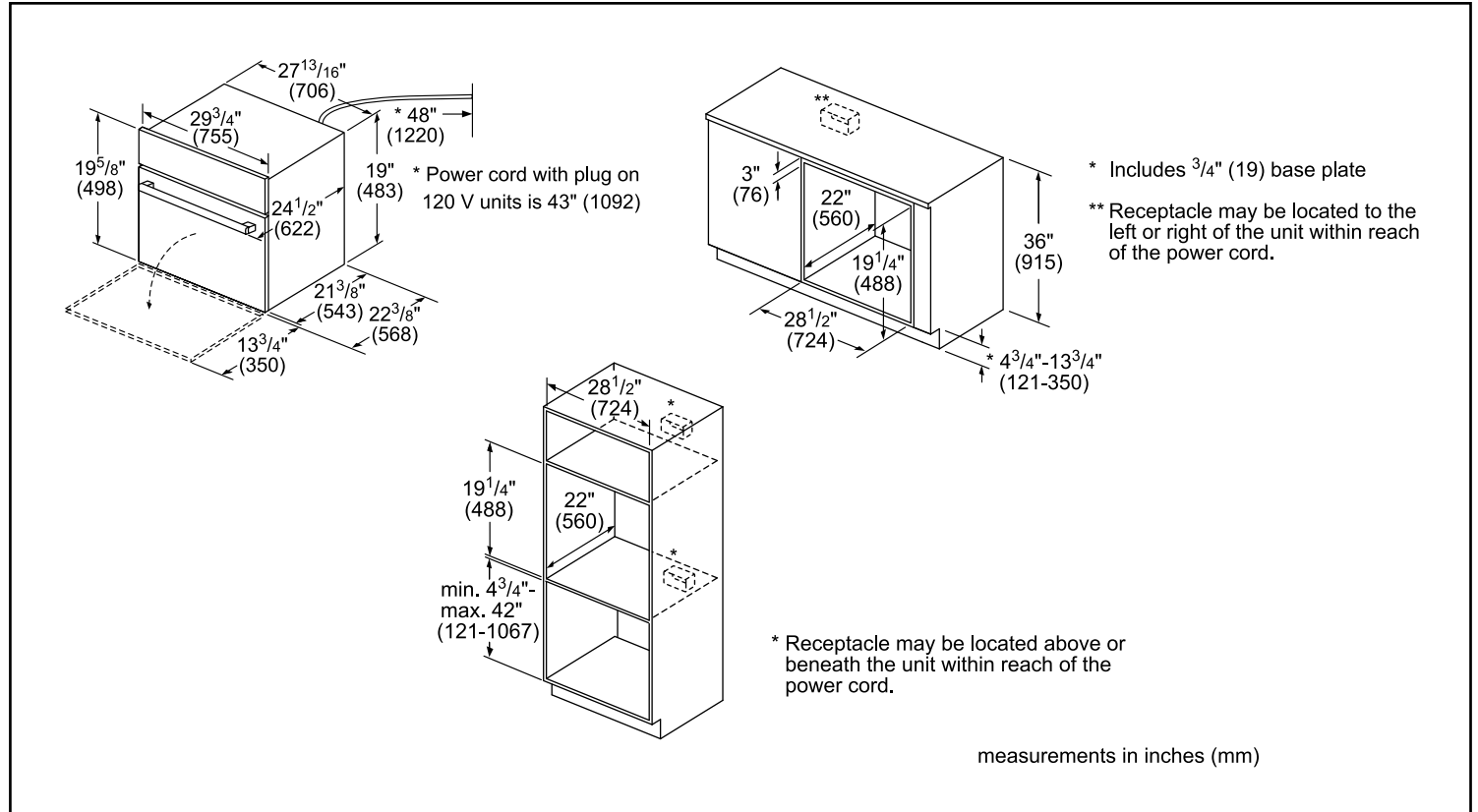
© BSH Home Appliances Corporation. All rights reserved. Bosch is a registered trademark of Robert Bosch GmbH.

# 30" Speed Oven

800 Series – Stainless Steel HMC80252UC



## Installation Details



**Accessories:** To purchase Bosch accessories, cleaners & parts please visit [www.bosch-home.com/us/store](http://www.bosch-home.com/us/store) or call 1-800-944-2904 (Mon to Fri 5 am to 6 pm PST, Sat 6 am to 3 pm PST).

**Notes:** All height, width and depth dimensions are shown in inches. BSH reserves the absolute and unrestricted right to change product materials and specifications, at any time, without notice. Consult the product's installation instructions for final dimensional data and other details prior to making cutout.

**Warranties:** Please see Use & Care manual or Bosch website for statement of limited warranty.

**For more information on our entire line of products, go to [www.bosch-home.com/us](http://www.bosch-home.com/us) or call 1-800-944-2904**

© BSH Home Appliances Corporation. All rights reserved. Bosch is a registered trademark of Robert Bosch GmbH.

# 30" Speed Oven

800 Series – Stainless Steel HMC80252UC

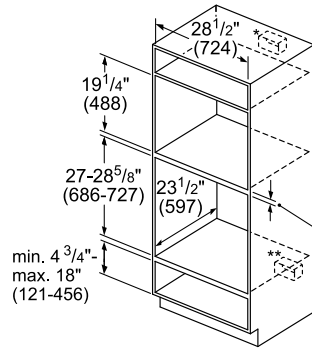


**BOSCH**

Invented for life

## Installation Details

### Standard Installation Over Single Oven



\*Junction box may be located above or next to the unit within reach of the power cord.

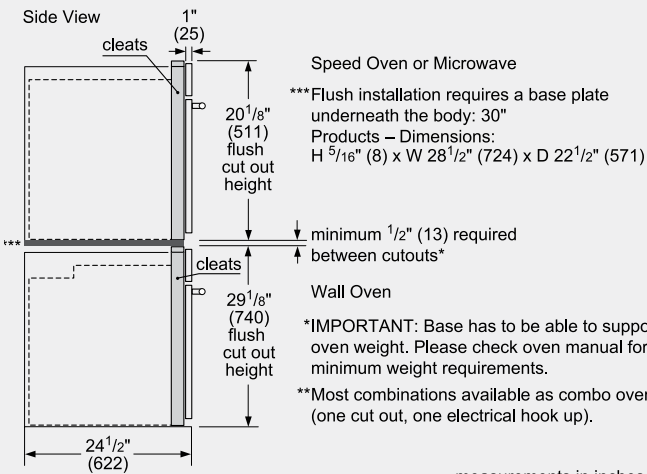
\*\*Junction box may be located below (depending on space) or next to the unit within reach of the power cord.

\*\*\*Most combinations available as combo oven (one cut out, one electrical hook up).

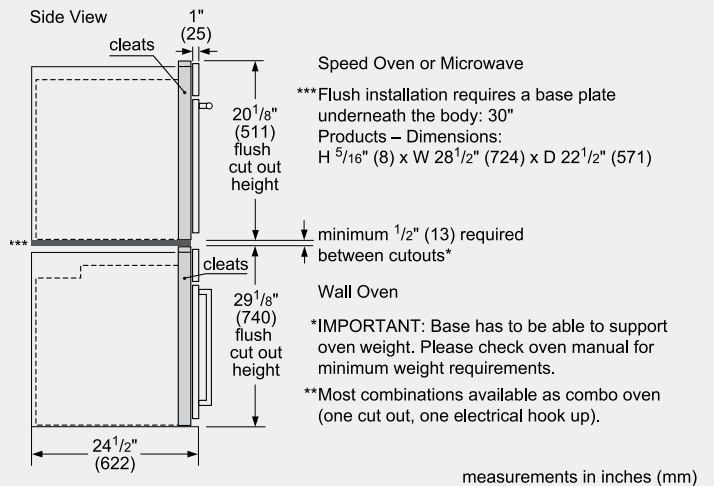
Minimum dimension between cut outs:

- 1" (25 mm) for wall oven cut out height of 28<sup>5</sup>/<sub>8</sub>"
- 2<sup>5</sup>/<sub>8</sub>" (67 mm) for wall oven cut out height of 27"

### Flush Installation Over Single Oven



### Flush Installation Over Single Oven with Side Swing door



**Accessories:** To purchase Bosch accessories, cleaners & parts please visit [www.bosch-home.com/us/store](http://www.bosch-home.com/us/store) or call 1-800-944-2904 (Mon to Fri 5 am to 6 pm PST, Sat 6 am to 3 pm PST).

**Notes:** All height, width and depth dimensions are shown in inches. BSH reserves the absolute and unrestricted right to change product materials and specifications, at any time, without notice. Consult the product's installation instructions for final dimensional data and other details prior to making cutout.

**Warranties:** Please see Use & Care manual or Bosch website for statement of limited warranty.

**For more information on our entire line of products, go to [www.bosch-home.com/us](http://www.bosch-home.com/us) or call 1-800-944-2904**

© BSH Home Appliances Corporation. All rights reserved. Bosch is a registered trademark of Robert Bosch GmbH.

# 30" Speed Oven

800 Series – Stainless Steel HMC80252UC



**BOSCH**  
Invented for life

## Bosch Side-By-Side Built-In Oven Approved Combination Guide

Single ovens, microwaves, speed ovens, and drawers approved by BSH Home Appliances Corporation to be installed in combination.

**IMPORTANT:** When installing an oven in combination, a minimum distance between the ovens is required. Refer to the oven installation manual for all other measurements.

Do not install a self-cleaning oven beside another self-cleaning oven.

Appliances that are not listed must be approved under local codes and/or by the local authority having jurisdiction. For the latest updates to the approved combination, refer to the website listed in your appliance's installation instructions.

### APPROVED COMBINATIONS

| Conventional Ovens                                                                         | Built-in Microwaves | Steam Ovens | Speed Ovens                                    | Warming Drawer |
|--------------------------------------------------------------------------------------------|---------------------|-------------|------------------------------------------------|----------------|
| HBLxxx1RUC, HBLxxx4RUC, HBLxxx1LUC, HBLxxx4LUC, HBLxxx1UC, HBLxxx3UC, HBLxxx4UC, HBNxxx1UC | HMB50152UC          | HSLP451UC   | HMC80152UC, HMC80252UC, HMC80242UC, HMCP0252UC | HWD5051UC      |
| <b>Coffee maker with trim kit</b>                                                          |                     |             |                                                |                |
| BCM8450UC + HEZCMT3050                                                                     |                     |             |                                                |                |

Refer to product installation instructions.

The suitability of the following combination has been evaluated by CSA.

| Conventional Ovens                                                                         | Steam Ovens | Warming Drawer |
|--------------------------------------------------------------------------------------------|-------------|----------------|
| HBLxxx1RUC, HBLxxx4RUC, HBLxxx1LUC, HBLxxx4LUC, HBLxxx1UC, HBLxxx3UC, HBLxxx4UC, HBNxxx1UC | HSLP451UC   | HWD5051UC      |

Refer to product installation instructions.

| Configuration          | Left Oven Type             | Middle Oven Type      | Right Oven Type            |
|------------------------|----------------------------|-----------------------|----------------------------|
| Side-by-side-by-side 1 | Conventional oven          | Steam/speed/microwave | Conventional oven          |
| Side-by-side-by-side 2 | Steam, speed, or microwave | Conventional oven**   | Steam, speed, or microwave |

\*\* Bottom hinge door models only. Side hinge door not recommended.

**Accessories:** To purchase Bosch accessories, cleaners & parts please visit [www.bosch-home.com/us/store](http://www.bosch-home.com/us/store) or call 1-800-944-2904 (Mon to Fri 5 am to 6 pm PST, Sat 6 am to 3 pm PST).

**Notes:** All height, width and depth dimensions are shown in inches. BSH reserves the absolute and unrestricted right to change product materials and specifications, at any time, without notice. Consult the product's installation instructions for final dimensional data and other details prior to making cutout.

**Warranties:** Please see Use & Care manual or Bosch website for statement of limited warranty.

**For more information on our entire line of products, go to [www.bosch-home.com/us](http://www.bosch-home.com/us) or call 1-800-944-2904**

© BSH Home Appliances Corporation. All rights reserved. Bosch is a registered trademark of Robert Bosch GmbH.

# 30" Speed Oven

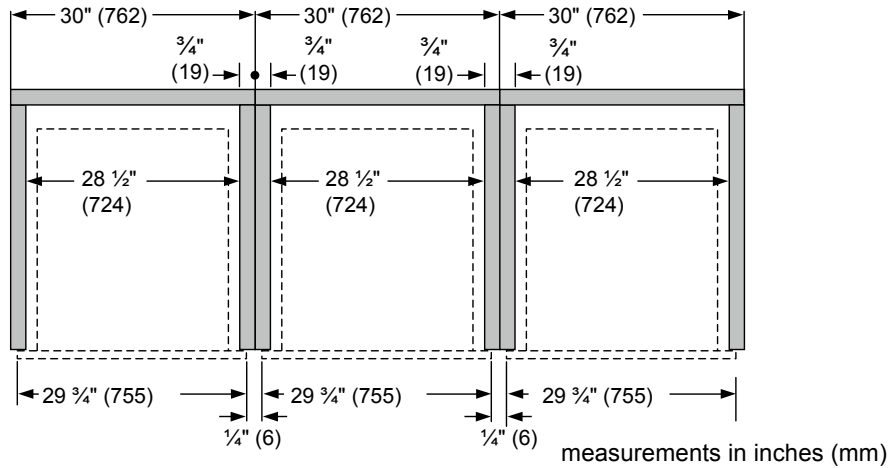
800 Series – Stainless Steel HMC80252UC

## Side-by-Side-by-Side Installation

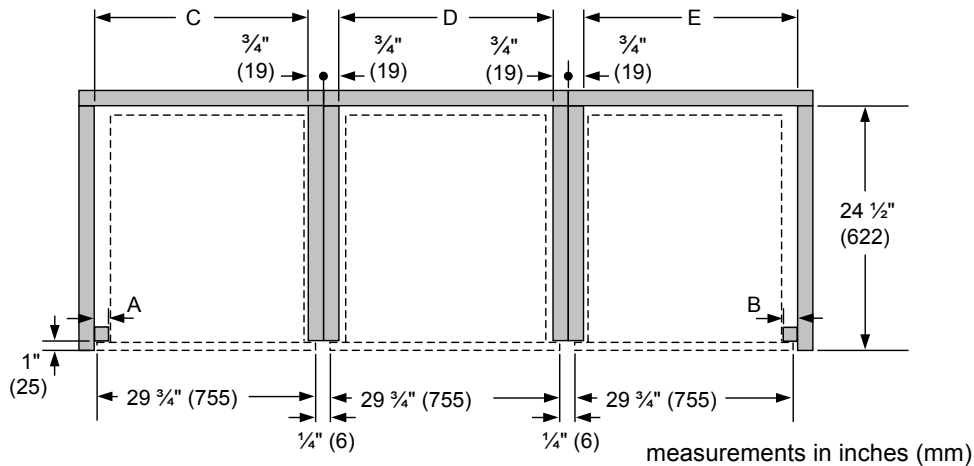
| Combination type              | Left oven type             | Middle oven type      | Right oven type            |
|-------------------------------|----------------------------|-----------------------|----------------------------|
| <b>Side-by-side-by-side 1</b> | Conventional oven          | Steam/speed/microwave | Conventional oven          |
| <b>Side-by-side-by-side 2</b> | Steam, speed, or microwave | Conventional oven**   | Steam, speed, or microwave |

\*\*Bottom hinge door modules only. Side hinge door not recommended.

### Standard Installation Side-by-side-by-side



### Flush Installation Side-by-side-by-side



| Combination type               | A – Left reveal cleat | B – Right reveal cleat | C – Cutout width | D – Cutout width | E – Cutout width |
|--------------------------------|-----------------------|------------------------|------------------|------------------|------------------|
| <b>Flush bottom hinge door</b> | 3/4" (19)             | 3/4" (19)              | 29-1/4" (743)    | 28-1/2" (724)    | 29-1/4" (743)    |
| <b>Flush left hinge door</b>   | 1-1/2" (38)           | N/A*                   | 30" (762)        | N/A*             | N/A*             |
| <b>Flush right hinge door</b>  | N/A*                  | 1-1/2" (38)            | N/A*             | N/A*             | 30" (762)        |

\*Installation not recommended.

( )=mm

**Accessories:** To purchase Bosch accessories, cleaners & parts please visit [www.bosch-home.com/us/store](http://www.bosch-home.com/us/store) or call 1-800-944-2904 (Mon to Fri 5 am to 6 pm PST, Sat 6 am to 3 pm PST).

**Notes:** All height, width and depth dimensions are shown in inches. BSH reserves the absolute and unrestricted right to change product materials and specifications, at any time, without notice. Consult the product's installation instructions for final dimensional data and other details prior to making cutout.

**Warranties:** Please see Use & Care manual or Bosch website for statement of limited warranty.

**For more information on our entire line of products, go to [www.bosch-home.com/us](http://www.bosch-home.com/us) or call 1-800-944-2904**

© BSH Home Appliances Corporation. All rights reserved. Bosch is a registered trademark of Robert Bosch GmbH.