

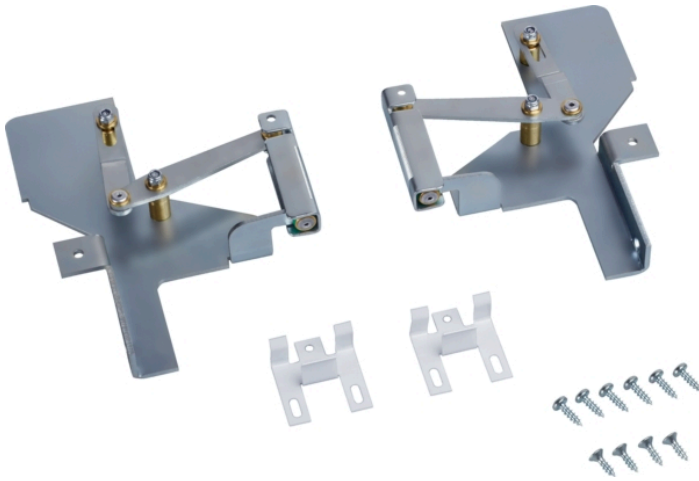
SMZ5003

Dishwasher Accessory Kit

Retractable hinge f. high corpus dimens.



Features and Benefits



Notes: All height, width and depth dimensions are shown in inches. *Please refer to installation instructions prior to making cutout. BSH reserves the absolute and unrestricted right to change product materials and specifications, at any time, without notice. Consult the product's installation instructions for final dimensional data and other details. Applicable product warranty can be found in a accompanying product literature or you may contact your account manager for further details.

For more information on our entire line of products, go to boschappliances.com or call 1-800-944-2904.
Copyright ©2023 BSH Home Appliances Corporation. All rights reserved. Bosch is a registered trademark of Robert Bosch GmbH.

Litho Date: 06/2023

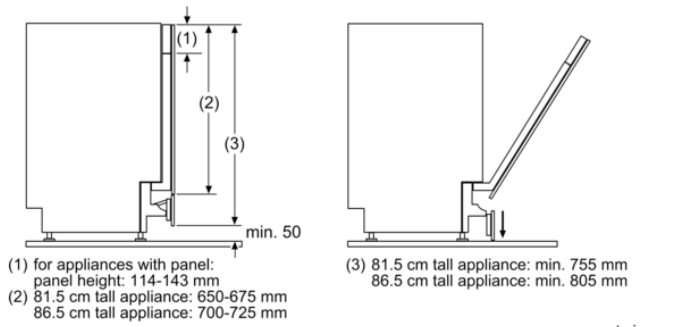
SMZ5003

Dishwasher Accessory Kit

Retractable hinge f. high corpus dimens.



BOSCH



Features

Product group	Accessory
Brand	Bosch
Product name / series name	
SKU	SMZ5003
Internal article number	00000000000648174
EAN code	4242002476254
Product packaging dimensions (HxWxD)	1.73 x 13.22 x 10.19
Net weight	2.000
Gross weight	2.000
Quantity per packing unit	1
Standard number of units per pallet	200
UPC code	825225876281
Product image	MCSA045647_DA021000_def.jpg

Technical Specification

Notes: All height, width and depth dimensions are shown in inches. *Please refer to installation instructions prior to making cutout. BSH reserves the absolute and unrestricted right to change product materials and specifications, at any time, without notice. Consult the product's installation instructions for final dimensional data and other details. Applicable product warranty can be found in a accompanying product literature or you may contact your account manager for further details.

For more information on our entire line of products, go to boschappliances.com or call 1-800-944-2904.

Copyright ©2023 BSH Home Appliances Corporation. All rights reserved. Bosch is a registered trademark of Robert Bosch GmbH.

Litho Date: 06/2023