

# Island Trim, Dual Fuel HDZIT301



## Features and Benefits



Notes: All height, width and depth dimensions are shown in inches. \*Please refer to installation instructions prior to making cutout. BSH reserves the absolute and unrestricted right to change product materials and specifications, at any time, without notice. Consult the product's installation instructions for final dimensional data and other details. Applicable product warranty can be found in a accompanying product literature or you may contact your account manager for further details.

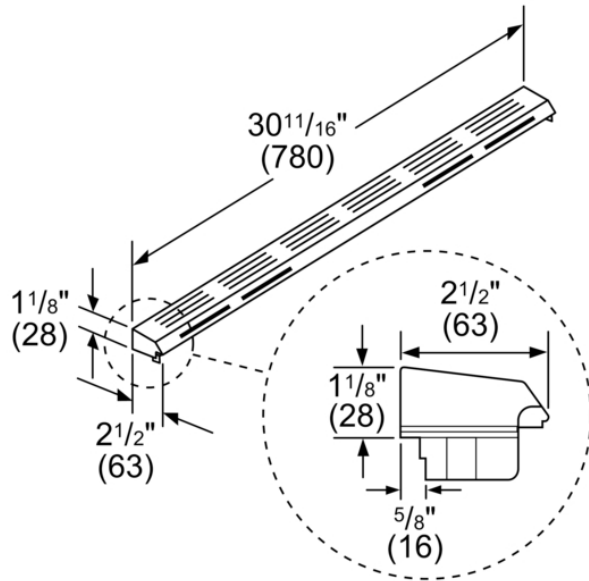
For more information on our entire line of products, go to [boschappliances.com](http://boschappliances.com) or call 1-800-944-2904.  
Copyright ©2023 BSH Home Appliances Corporation. All rights reserved. Bosch is a registered trademark of Robert Bosch GmbH.

Litho Date: 05/2023

# Island Trim, Dual Fuel HDZIT301



# BOSCH



measurements in inches and (mm)

## Features

Product group	Accessory
Brand	Bosch
Product name / series name	
SKU	HDZIT301
Internal article number	000000000011006434
EAN code	4242002865270
Product packaging dimensions (HxWxD)	
Net weight	3.000
Gross weight	3.000
Quantity per packing unit	
Standard number of units per pallet	
UPC code	825225918448
Product image	MCSA01108518_F9734_HDZIT301_698493_ok_d

## Technical Specification

Notes: All height, width and depth dimensions are shown in inches. \*Please refer to installation instructions prior to making cutout. BSH reserves the absolute and unrestricted right to change product materials and specifications, at any time, without notice. Consult the product's installation instructions for final dimensional data and other details. Applicable product warranty can be found in a accompanying product literature or you may contact your account manager for further details.

For more information on our entire line of products, go to [boschappliances.com](http://boschappliances.com) or call 1-800-944-2904.  
Copyright ©2023 BSH Home Appliances Corporation. All rights reserved. Bosch is a registered trademark of Robert Bosch GmbH.

Litho Date: 05/2023