

Built-In Steam Convection Oven

Use and Care Manual

Models:

HSLP451UC



BOSCH

Invented for life



About This Manual	1	Reheat	15
Safety	2	European Conv	15
Getting Started	4	Keep Warm	15
Parts and Accessories	4	Slow Cook	15
Control Panel	4	Chicken and Vegetables Programs	15
Oven Interior	5		
Oven Accessories	5		
Additional Accessories	5		
Before First Use	6	Getting the Most Out of Your Steam	
Water Tank	6	Oven	16
Water Level Warnings	6	General Tips	16
Set the Clock	7	Cooking Recommendations	17
Setting Water Hardness Level	7	Vegetables	17
Clean Using the STEAM Mode	7	Side Dishes and Legumes	18
Calibration	7	Meat, Poultry, Fish	18
Basic Oven Settings	8	Slow Cooking Meat	20
Setting Options	8	Souffles, Casseroles, Additions to Soups	20
		Desserts, Compotes	20
		Cakes and Baked Goods	21
		Reheating Foods	23
		Defrosting	23
		Proofing Dough	24
		Juice Extraction	24
		Frozen Products	24
		Special Foods	25
Operation	10	Cleaning and Maintenance	26
Start Cooking	10	Cleaning	26
Preheating the Oven	10	Cleaners	27
Rack Positions	10	Steam Cleaning	27
Setting the Mode	10	Descale	28
Setting the Temperature	11	Rack Cleaning	29
Editing Oven Settings	11	Maintenance	29
Oven Clear/Off	11		
Panel Lock	12	Service	30
Kitchen Timer	12	Before Calling Service	30
Oven Timer	12	Troubleshooting	30
Multiple Timers	12	Data Rating Label	31
Vegetables And Chicken Automatic Programs	13	Service Information	31
Steam Oven Modes	14	Limited Product Warranty	32
Temperature Setting for Each Mode	14	Customer Support, Accessories	
Steam	14	& Parts	back page
Steam Conv	14		
Defrost	14		
Proof	15		
Dish Warming	15		

This BOSCH® appliance is made by
 BSH Home Appliances Corporation
 1901 Main Street, Suite 600
 Irvine, CA. 92614

Questions?

1-800-944-2904

www.bosch-home.com/us

We look forward to hearing from you!

About This Manual

How This Manual is Organized

You can get the most out of your new appliance by reading this manual from beginning to end. This way you will systematically get to know your appliance and become familiar with its operation and features.

The manual consists of the following sections:

- The “*Safety*” section provides information on how to safely operate your oven.
- “*Getting Started*” introduces you to the oven components and features.
- The “*Operation*” section offers you step-by-step instructions on how to operate your oven.
- In “*Getting the Most Out of Your Appliance*” you can find a list of many common foods with the appropriate oven mode, temperature, rack position and bake time. This section also provides you with several bakeware and preparation tips.
- “*Cleaning and Maintenance*” provides you with information on how to clean and care for the various oven parts.
- The “*Service*” section includes your warranty and do-it-yourself troubleshooting tips.
- Pay special attention to the important safety instructions in the “*Safety*” section.

Safety Definitions

WARNING

This indicates that death or serious injuries may occur as a result of non-observance of this warning.

CAUTION

This indicates that minor or moderate injuries may occur as a result of non-observance of this warning.

NOTICE: This indicates that damage to the appliance or property may occur as a result of non-compliance with this advisory.

Note: This alerts you to important information and/or tips.

Safety



IMPORTANT SAFETY INSTRUCTIONS READ AND SAVE THESE INSTRUCTIONS

Before You Begin

INSTALLER: Please leave these instructions with this unit for the owner.

OWNER: Please retain these instructions for future reference.

WARNING



ELECTRICAL SHOCK HAZARD

Disconnect power before installing or servicing. Before turning power ON, ensure that all controls are OFF. Failure to do so can result in death or electrical shock.

Safety Notes

This appliance is intended for domestic use only. This appliance must only be used for food preparation.

Adults and children must not operate the appliance without supervision,

- if they are physically or mentally incapable of doing so; or
- if they have insufficient knowledge or experience.

Never let children play with the appliance.

Proper Installation and Maintenance

Have the installer show you the location of the circuit breaker. Mark it for easy reference.

This appliance must be properly installed and grounded by a qualified technician. Connect only to a properly grounded outlet. Refer to Installation Instructions for details.

Local codes vary. Installer is responsible for ensuring that the installation and grounding comply with all applicable codes. Failure to follow appropriate local codes and regulations may void the warranty.

DO NOT store or use corrosive chemicals, vapors, flammables or nonfood products in or near this appliance. The use of corrosive chemicals in heating or cleaning will damage the appliance and could result in injury.

DO NOT operate this appliance if it is not working properly, or if it has been damaged. Contact an authorized servicer.

DO NOT obstruct oven vents.

DO NOT repair or replace any part of the appliance unless specifically recommended in this manual. Refer all servicing to a factory authorized service center.

Risk of Burns!

Hot steam may escape when the appliance door is opened. Open the appliance door carefully during or after cooking. When opening the door, do not lean over it. Ensure that, depending on the temperature, steam is not visible.

DO NOT clean the appliance immediately after switching it off. The water in the evaporator dish is still hot. Wait until the appliance has cooled down.

Exercise caution when opening the appliance. Standing to the side, open the door slowly and only slightly to let hot air and/or steam escape. Keep your face clear of the opening and ensure there are no children or pets near the unit. After the hot air and/or steam is released, proceed with your cooking. Keep oven doors shut unless necessary for cooking or cleaning purposes. Do not leave open door unattended.

DO NOT heat or warm sealed food containers. Build-up of pressure may cause the container to burst and cause injury.

Always place oven racks in desired location while oven is cool.

Never prepare food with large quantities of high proof alcoholic beverages. Steam containing alcohol can ignite inside the appliance. Use only small quantities of high proof alcoholic beverages, and use caution when opening the appliance door.



IMPORTANT SAFETY INSTRUCTIONS

READ AND SAVE THESE INSTRUCTIONS

Moist or damp potholders on hot surfaces may result in burns from steam.

Interior surfaces of an oven become hot enough to cause burns. During and after use, do not touch, or let clothing, pot holders, or other flammable materials come in contact with interior surfaces of the oven until they have had sufficient time to cool. Other surfaces of the appliance may become hot enough to cause burns. These surfaces include oven vent openings, surfaces near these openings and oven doors.

Small children must be kept at a safe distance from the appliance.

Risk of Fire!

Never store combustible items in the cooking compartment.

Do not use aluminum foil or protective liners to line any part of the appliance. Use of a foil liner could result in a shock or fire hazard, or the obstruction of the flow of combustion and ventilation air. Foil is an excellent heat insulator and heat will be trapped beneath it. This will affect the cooking performance and can damage the finish of the oven.

If materials inside an oven should ignite, keep door closed. Turn off the appliance and disconnect the circuit at the circuit breaker box.

Use this appliance only for its intended purpose as described in this manual. For example, never use the appliance for warming or heating the room. **Never use the appliance for storage.**

Always have a working smoke detector near the kitchen.

In the event that personal clothing or hair catches fire, drop and roll immediately to extinguish flames.

Smother flames from food fires other than grease fires with baking soda. Never use water on cooking fires.

Have an appropriate fire extinguisher available highly visible and easily accessible near the oven.

Causes of Damage

CAUTION!

- Do not place anything on the cooking compartment floor. Do not cover it with aluminium foil. A build-up of heat could damage the appliance.
- The cooking compartment floor and the evaporator dish must always be kept clear.
- Aluminium foil in the cooking compartment must not come into contact with the oven cavity or door panel. This could cause permanent discoloration.
- Ovenware must be heat and steam resistant.
- When steaming with the perforated baking pan, always insert the baking pan beneath it.
- If the door seal is very dirty, the appliance door will no longer close properly during operation. The fronts of adjacent units could be damaged. Always keep the door seal clean and replace when necessary.
- Do not place anything on the open appliance door. The appliance could be damaged.
- Do not carry or hold the appliance by the door handle. The door handle cannot support the weight of the appliance, and could break.

The cooking compartment in your appliance is made of high grade stainless steel. Improper care can lead to corrosion in the cooking compartment. Refer to the care and cleaning instructions in this manual. Remove food residues from the cooking compartment as soon as the appliance has cooled.

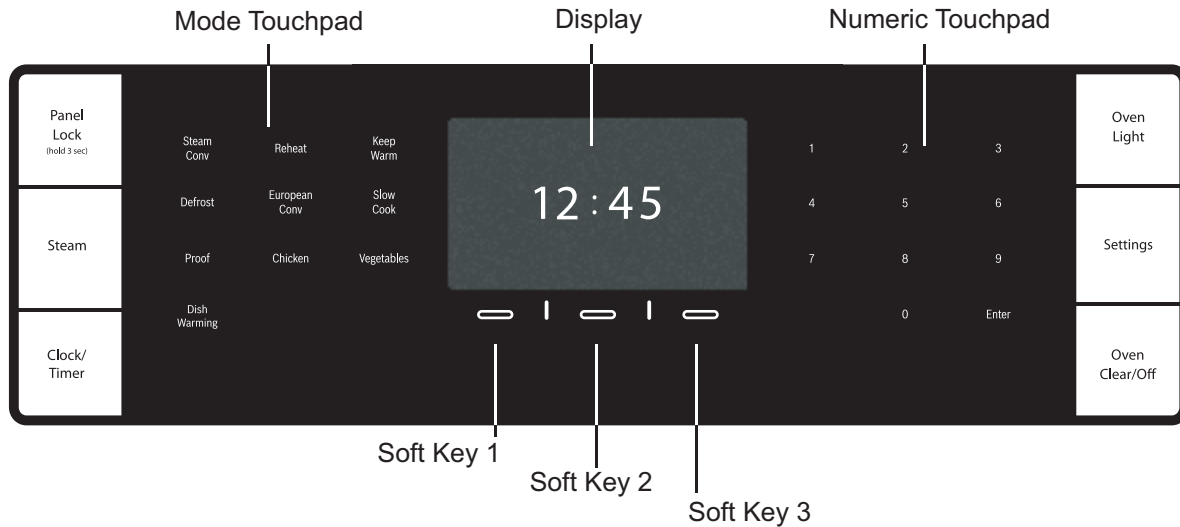
State of California Proposition 65 Warnings:

This product contains chemicals known to the State of California to cause cancer, birth defects or other reproductive harm.

Getting Started

Parts and Accessories

Control Panel

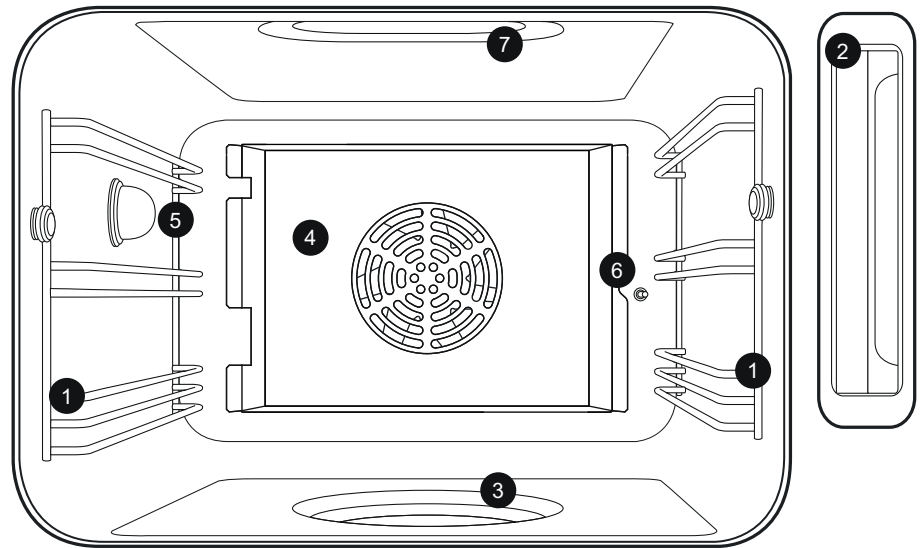


FUNCTIONS	You only have to press lightly on the touchpads to operate them. The touchpads will not work if you press several of them at once, such as when cleaning them.
Panel Lock	Press and hold for three seconds to turn the panel lock on or off. Prevents the oven from being turned on.
Clock/Timer	Sets the clock and timer functions.
Oven Light	Turns oven light on or off.
Settings	User settings are available for the operator to customize the steam oven to their preference. Settings can only be accessed from stand-by state.
Oven Clear/Off	Turns the oven off.

COOKING MODE	MODE FUNCTION
Steam	For vegetables, fish, side dishes, for juicing fruit and for blanching.
Steam Conv	Combines steam and convection oven modes. Use for meat, soufflés and baked goods.
Defrost	Defrosts fruits, vegetables, meats and fish for cooking or serving.
Proof	Proof (raises) yeast dough and sourdough.
Dish Warming	Heats and keeps warm oven-safe ovenware, plates and bowls.
Reheat	Gently reheats cooked foods in plated dishes and baking dishes.
European Conv	Operates as a convection oven, with no steam. Use for moist cakes, sponge cakes and braised meat.
Keep Warm	Keeps hot, cooked foods at serving temperature.
Slow Cook	Slowly roasts meats so they remain very tender.
Chicken	Automatic program setting for cooking chicken.
Vegetables	Automatic program setting for cooking vegetables.

Oven Interior

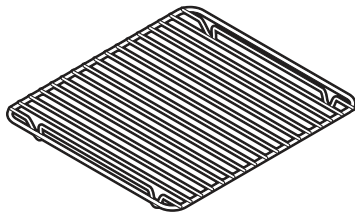
1. Rack Guide
2. Water Tank
3. Evaporator Dish
4. Convection Cover
5. Oven Light
6. Temperature Sensor
7. Steam Vent



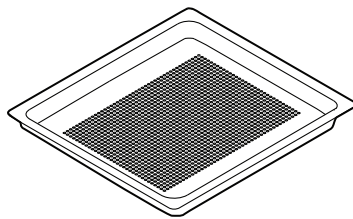
Oven Accessories

Clean the accessories thoroughly with soapy water and a cloth before initial use. The following steam oven accessories come with your steam oven:

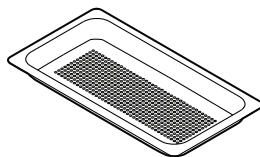
Wire rack
(CSRACKH)
Use for support during baking.
Place meats on the wire rack with the baking pan underneath and insert both together into one level.



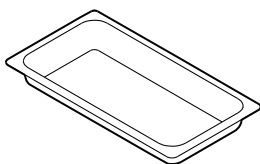
Perforated baking pan, full-size
(CS2XLPH)
1 5/8" deep
Ideal for steaming fish or large quantities of vegetables, extracting juice from berries, and much more.



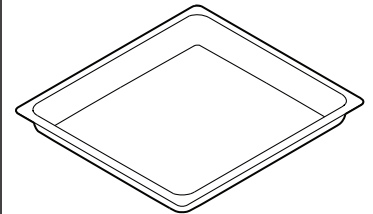
Perforated baking pan, half-size
(CS1XLPH)
1 5/8" deep
Ideal for steaming fish or vegetables, extracting juice from berries, and much more.



Baking pan, half-size
(CS1XLH)
1 5/8" deep
Use for smaller quantities and for rice and cereals.



Baking pan, full-size
(CS2LH)
1 1/8" deep
Ideal for baking cakes and catching dripping liquid when steaming.



Additional Accessories

The following additional accessories can be purchased through the e-store at www.bosch-home.com/us/store:

ACCESSORY	ORDER NUMBER
Perforated baking pan, full-size, 1 5/8" deep	CS2XLPH
Perforated baking pan, half-size, 1 5/8" deep	CS1XLPH
Baking pan, full-size, 1 1/8" deep	CS2XLH
Baking pan, half-size, 1 5/8" deep	CS1XLH
Baking pan, full-size, 1 1/8" deep	CS2LH
Wire rack	CSRACKH
Descaling powder	00573828

Before Using the Appliance for the First Time

- Appliance must be properly installed by a qualified technician before use.
- Remove all packing materials from inside and outside the oven.
- While cool, wipe with a clean, damp cloth and dry. There may be a slight odor during first uses; this is normal and will disappear.
- Read and understand all safety precautions and Use and Care Manual information.
- Execute the following sections prior to operating:

Water tank

The water tank is on the right side of the steam oven. It holds 1.4 quarts (1.3 L) of water. The water tank **is not dishwasher safe**.

Important notes about the water used to fill the tank:

- Moisten the seal in the tank lid with some water before using it for the first time.
- Use only fresh tap water or, if necessary, plain non-carbonated purchased water to fill water tank.

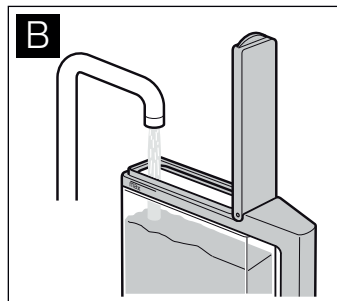
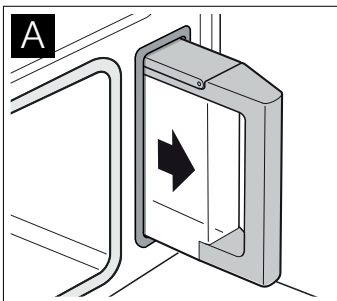
▲ CAUTION

Use of inappropriate liquids can damage the appliance! Do not fill the water tank with distilled water or any other liquids.

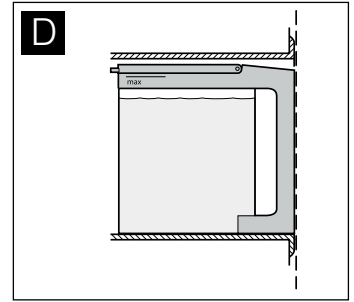
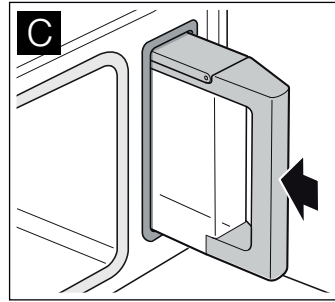
- If your water is very hard (10 grains per gallon or higher), we recommend using softened water.
- If your tap water is highly chlorinated (>40 mg/L), use plain non-carbonated purchased water with a low amount of chlorine.

Fill the Water Tank

1. Open door and remove water tank (picture A).
2. Moisten the seal in the tank lid with some water prior to initial use.
3. Fill the water tank to the “MAX” line with cold water (picture B).



4. Close tank lid until it snaps.
5. Insert water tank completely (picture C).
6. The tank must be flush with the tank funnel (picture D).



EMPTY THE WATER TANK AFTER EACH USE.

1. Keep the water tank level while slowly pulling it out of the appliance to ensure that no remaining water drips down and out through the vent.
2. Pour out the water.
3. Thoroughly dry the seal of the tank lid and the slot where the tank resides in the appliance. Prolonged dampness could lead to a musty odor in the tank.

Water Level Warnings

The water tank must have enough water to generate the steam needed for the cooking mode and time you are using. As the water is converted to steam, the tank level will drop during cooking. There are three different water levels that are monitored by the control:

NONE: Tank Full

- Full tank, any oven mode can be run.
- The steam oven can operate at 100% steam for 150 minutes without the need to refill the water tank.

WATER LEVEL IS LOW: Tank with water

- Tank less than full but not empty.

TANK IS EMPTY: Tank is without water.

- A heating mode cannot be run without adding sufficient water.
- Refill water tank to run a cooking mode.

Set the Clock

The clock may only be set/edited from stand-by state.

To Set the Clock

1. Press **CLOCK/TIMER** button on the control panel.
2. Input the desired time using the numeric key pad.
3. Press the **SET CLOCK (Soft Key 1)**.
4. Choose either **AM** or **PM** with the appropriate soft key.
 - Display transitions to stand-by with the new clock time.

For Daylight Savings Time Followers

The clock may be set up or back in a single hour increment by doing the following:

1. Press **CLOCK/TIMER** button on the control panel.
2. Press **SOFT KEY 2**.
3. Select either **-1 HOUR (Soft Key 1)** or **+1 HOUR (Soft Key 3)**.
 - The display immediately reverts to stand-by state.

Setting the Water Hardness Level

Check the water hardness using the test strip provided or ask your water utility company.

1. Select the **SETTINGS** button on the control panel.
2. Press the **SOFT KEY 2** to scroll through the options to **WATER HARDNESS**.
3. Press **ENTER**.
4. Using the **NUMERIC TOUCHPAD**, input the hardness level for your water type. The factory setting is 3.
 - 1 = SOFTENED (0 – 17 mg/L)
 - 2 = SOFT (18 – 60 mg/L)
 - 3 = MEDIUM (61 – 120 mg/L)
 - 4 = HARD (121 – 180 mg/L)
 - 5 = VERY HARD (over 180 mg/L)
5. Press **ENTER**.

Unless you use softened water, you will need to descale your steam oven at regular intervals (see *“Descale”* in the *“Care and Maintenance”* section on page 28).

If you move or if your water source changes, you will need to reset the water hardness value.

Clean With STEAM Mode Before First Use

Before using the steam oven for the first time, heat it once while it is empty:

1. Fill and slide in the water tank. Close the oven door.
2. Select **STEAM** on the control panel.
3. Press **ENTER**.
4. Press the **SOFT KEY 2 (Oven Timer)**.
5. Using the Numeric Touchpad, set the oven time for 20 minutes (0:20, in HR/MIN format).
6. Press **ENTER**.
 - The oven will heat for 20 minutes and then stop.
 - An audible tone will indicate the completion of the function.
7. Press **OVEN OFF/CLEAR** or open the oven door.
8. Leave the door opened slightly until the oven cools. See *“After Oven Operation”* on page 11.

This initial cleaning will also calibrate the steam oven to the air pressure at your location.

Automatic Calibration

The steam oven automatically calibrates to adjust to the pressure conditions in your area the first time steam is used at 212°F (100°C).

Calibrating the Steam Oven

1. Select the **SETTINGS** button on the control panel.
2. Press the **SOFT KEY 2** to scroll through the options to **CALIBRATE**.
3. Press **ENTER**.
 - **START CYCLE** will flash on the display.
4. Select **YES (Soft Key 2)** to confirm. Select **NO (Soft Key 3)** to return to the main menu.
 - **DONE** will flash on the display screen.
5. Press **ENTER**.

Recalibrate the appliance manually if you should move to ensure that the steam oven automatically adjusts to your new location.

Recalibration is not necessary after a power failure.

Clean the Accessories

Wash the accessories thoroughly with soapy water and a cloth before using them. Rinse well before use.

Basic Oven Settings

User settings are available for the customer to customize the appliance to their liking. Many of these features should be adjusted when the oven is first installed or after a move to a new location. User settings can only be accessed from stand-by state. If the Settings button is pressed while the appliance is not in stand-by, the display will sound an error tone.

Adjust Settings

1. Select the **SETTINGS** button on the control panel.
2. Press the **SOFT KEY 2** to advance through the menu options. The following table lists the available setting options and their values.

ITEM DESCRIPTION	OPTIONS
°F/°C (Temperature Units)	°F
	°C
Brightness	Low
	Med
	High
Volume	Low
	Med
	High
	Off
Clock	12 hr
	24 hr
Stand-by Clock	On
	Off
Language	English
	French
Weight Unit Type	lbs
	Kg
Customer Service	Contact information only
Demo Mode	On
	Off
Steam Clean	See <i>page 27</i> .
Descale	See <i>page 28</i> .
Calibrate	See <i>page 7</i> .
Water Hardness	See <i>page 7</i> .

3. Press **SOFT KEY 1** or the **ENTER** button on the control panel to edit the setting that is in field.
4. Press **SOFT KEY 3** in order to cycle through the submenu options.
5. Set the option by pressing the **ENTER** key on the control panel or by pressing **SOFT KEY 1**.

Setting Options

°F/°C (TEMPERATURE UNITS): The temperature units setting allows the user to switch between fahrenheit and celsius units of temperature. The default temperature unit setting is “Fahrenheit”.

BRIGHTNESS: The brightness setting allows the user to adjust the brightness of the display. Switching between values adjusts the backlighting of the display. The default brightness setting is “High”.

VOLUME: The volume setting allows the user to adjust the sound level of button presses. The default volume setting is “High”.

CLOCK: The clock mode setting allows the user to select a 12 hour or 24 hour based clock. The default clock mode setting is “12 hour”.

STAND-BY CLOCK: The stand-by clock setting allows the user to disable the clock whenever the user interface goes into stand-by state. The default stand-by clock display setting is “On”.

LANGUAGE: The language setting allows the user to select either English or French operating languages. The default language setting is “English”.

WEIGHT UNIT TYPE: The weight unit setting allows the user to switch between pounds (lbs.) and kilograms (Kg) units of measure. The default weight unit setting is “lbs”.

CUSTOMER SERVICE: Contact information for the Technical Service Department if your appliance needs repair. Contains the following:

Visit us at: www.bosch-home.com/us
Or call 1-800-944-2904

DEMO MODE: Demo mode consists of 6 images cycled at timed intervals. If any button is pressed, the user interface appears to work as normal for the pressed button. However, no real cooking mode information is passed to the appliance. Therefore the oven will not heat up, preheat will never end, self clean will not start, etc. After 30 seconds with no input from the user, the display resumes the image slide show.

STEAM CLEAN: You may use steam to dissolve food residues and spills so that they can be easily wiped up. Running the steam clean cycle takes 30 – 35 minutes. The oven cannot be used for any other purpose while steam cleaning is underway. Detailed instructions for steam cleaning the oven are provided in the “*Cleaning and Maintenance*” section of this manual starting on *page 26*. The oven cannot be used for any other purpose while steam cleaning is in progress.

Steam Cleaning requires 3 start/stop cycles to complete its operation. Once started, the Steam Cleaning operation cannot be aborted. The appliance will not operate again until after the first and second rinse cycle to ensure that no cleaning agent remains inside.

DESCALE: Descale the appliance at regular intervals. This can prevent damage to the appliance. The appliance automatically informs you when descaling is required.

Detailed instructions for descaling the steam oven are provided in the “*Cleaning and Maintenance*” section of this manual starting on *page 26*. The oven cannot be used for any other purpose while descaling is in progress.

Descaling requires 3 start/stop cycles to complete its operation. Once started, the Descaling operation cannot be aborted. The appliance will not operate again until after the first and second rinse cycle to ensure that no cleaning agent remains inside.

Note:

If you use softened water, you will not need to descale the steam oven.

WATER HARDNESS: The hardness of the tap or bottled water (**NEVER** distilled water) you put in the water tank should be determined and entered with this setting when the appliance is installed. As explained on *page 7*, you may either use water hardness strips or contact your local water utility to find out the hardness of your tap water.

If you move or if your water source changes, you will need to reset the water hardness value.

CALIBRATE: The boiling point depends on the air pressure. The higher the altitude, the lower the air pressure, and also the boiling point. The steam oven automatically calibrates to adjust to the pressure conditions in your area the first time steam is used at 212°F (100°C).

Operation

Start Cooking

Using nine of the eleven modes available in your steam oven requires similar steps. *Using CHICKEN or VEGETABLES automatic programs is somewhat different and is described separately starting on page 13.*

Preheating the Oven

Place food in steam oven **before** preheat unless using KEEP WARM, SLOW COOK or EUROPEAN CONV modes. In KEEP WARM, SLOW COOK or EUROPEAN CONV modes, place food in oven after the oven has been preheated.

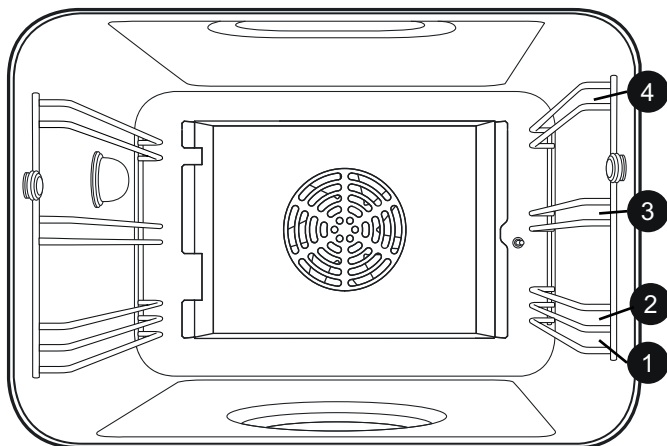
Food needs to be in the oven during preheat for steam modes because if the door is opened to put food inside after the preheat cycle the steam will leave the cavity, lowering the temperature, which may cause the food to be undercooked.

⚠ CAUTION

Exercise caution when opening the appliance. Standing to the side, open the door slowly and only slightly to let hot air and/or steam escape. Keep your face clear of the opening and make sure there are no children or pets near the unit. After the hot air and/or steam is released, proceed with your cooking. Keep doors shut unless necessary for cooking or cleaning purposes. Do not leave open doors unattended.

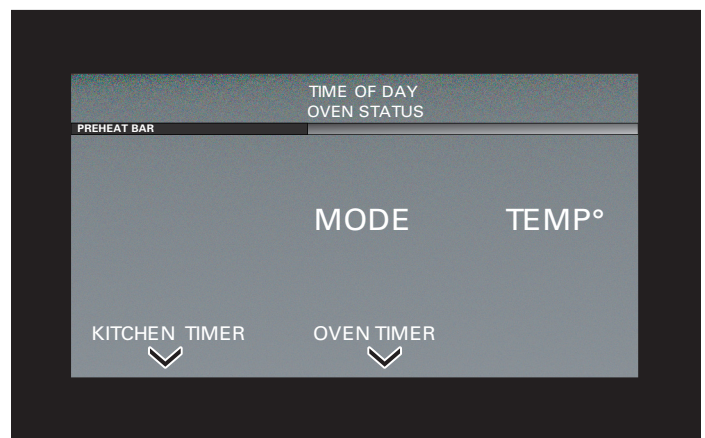
Rack Positions

The oven has four rack levels. The rack levels are numbered bottom to top as shown in the figure below.



To Operate the Oven by Setting the Mode First

1. Select the desired cooking mode.
 - The display transitions to the mode setting screen with the mode and the default temperature. The temperature flashes, indicating that it may be edited and that the mode has not yet started.
 - The display will revert to stand-by state if a selection is not made within 5 seconds.
2. Press buttons on the numeric keypad to set a temperature.
 - The display transitions to the temperature setting screen flashing "--x" in the display, where x is the numeric key pressed by the user.
 - If the temperature in the display is outside the allowable limits for the selected mode and ENTER is pressed, an error tone will sound and the allowed temperature range for that mode is shown below the set temperature.
 - Temperature control is not possible with DEFROST, PROOF, KEEP WARM, and DISH WARM, which have preselected temperatures. When one of these modes is selected, the temperature will appear on the display.
3. Press **ENTER**.
 - If ENTER is not pressed after setting a temperature other than the default temperature, the oven will automatically start the cooking mode after 5 seconds at the entered temperature. If no input is made to the default temperature, the display screen will transition back to stand-by state after 5 seconds of inactivity.
 - Display will indicate that the oven is preheating.



To Operate the Oven by Setting the Temperature First

1. From stand-by state, press the numeric touchpad buttons to enter a desired temperature.
 - The display transitions to the mode setting screen flashing "--x" in the display, where x is the numeric key pressed by the user.
 - The display screen prompts the user to select a mode.
2. Select the desired cooking mode.
3. Press **ENTER**.
 - If the temperature in the display is outside the allowable limits for the selected mode and ENTER is pressed, an error tone will sound.
 - For the modes with one dedicated temperature (DEFROST, PROOF, KEEP WARM, DISH WARM), once the error tone has sounded and the default temperature appears on the display, the user can initiate that particular mode by pressing ENTER.
 - The display will revert to stand-by state if a selection is not made within 5 seconds.
 - Once a selection has been made, the display will indicate that the oven is preheating.

To Edit Oven Settings During Operation

Change to a New Cooking Mode During Operation

1. Press the touchpad for the new desired cooking mode.
 - The current running mode is immediately ended and the display enters editing mode.
2. Press **ENTER**.

Change to a New Temperature During Operation

1. Press the button for the current running mode.
 - The current mode continues to run, but the display enters editing mode.
2. Press the numeric touchpad to enter a desired temperature.
3. Press **ENTER**.

Door Operation During a Cooking Mode

If the door is opened during a mode that uses the steam function, the cooling fan will cycle on and off five-six times in succession to purge the excess steam.

If the oven is in an operation mode that uses the convection fan, the convection fan will shut off automatically. Operation will resume once the door is shut.

The display screen will prompt the user to close the oven door.

Automatic operation of the cooling blower

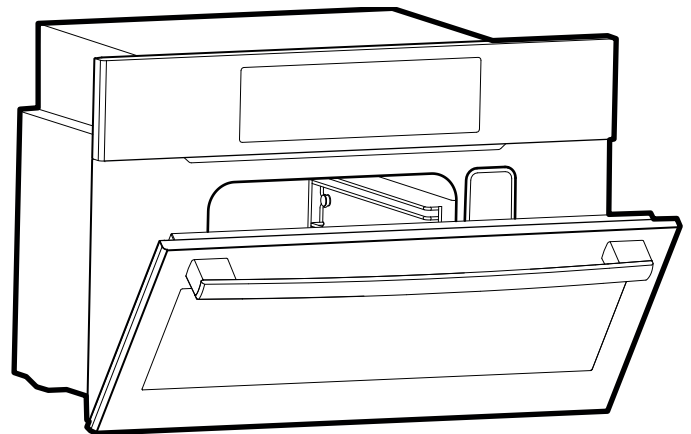
The cooling blower activates immediately for any of the oven modes. If steam oven modes that use steam are switched off (STEAM, STEAM CONV, REHEAT, etc.), the cooling blower stays on for 10 minutes independent from the oven temperature before shutting off. If heating modes without steam are turned off, the cooling blower goes off when the oven temperature falls below 230°F (110°C).

Oven Clear/Off

1. Press the **OVEN CLEAR/OFF** button to cancel the cooking mode and return to the stand-by state screen.
 - The temperature and mode clear from the display screen. The cooling fan will continue to run.

After Oven Operation

1. After each use, leave the oven door open in the "at-rest" position, until the interior has cooled down. Refer to the illustration below.



2. When cool, use a cleaning sponge to remove any water remaining in the evaporator dish. Wipe down the oven using the cleaning sponge and dry afterwards using a soft cloth before closing the door.

IMPORTANT:

- Wipe down the oven cavity and the evaporator dish with the sponge provided and dry well with a soft cloth after each use.
- Remove food residue and spills from the oven immediately after the appliance has cooled down. Burned on residue is very difficult to remove at a later time.
- Salts are very abrasive and can cause rust spots. The steam oven cavity can rust if not properly cared for.

Panel Lock

The Panel Lock is a child safety mechanism to prevent children from accidentally turning on the oven or changing an oven setting.

The Panel Lock feature can only be turned on from stand-by state. If the Panel Lock button is pressed in any state other than stand-by, the display sounds a key error tone.

To Execute Panel Lock

1. Press and hold the **PANEL LOCK** button on the touchpad for three seconds (press and hold for another three seconds to deactivate).
 - PANEL LOCKED will appear in the display.

Setting the Timers

Kitchen Timer

The kitchen timer can be used whether the oven is in operation or not and it does not affect oven heating.

A kitchen timer may be set from the following states:

- any running cooking or heating mode.
- stand-by state.

Setting the Kitchen Timer in Stand-by State

1. Press the **CLOCK/TIMER** touchpad on the control panel.
2. Enter the desired time using the numeric touchpad to set the time in the format HH:MM.
3. Press **SOFT KEY 3 (Set Timer)**.
 - Once started, the display shows the timer countdown.
 - When the timer reaches zero, the display shows a 0:00 and sounds an alarm tone every 10 seconds for 2 minutes.
4. After the timer has finished, it may be reset by pressing the **SOFT KEY 1 (Timer Off)** or by opening the door.

Editing the Kitchen Timer

1. Press **SOFT KEY 3 (Edit Kitchen Timer)**.
2. Set the new time using the numeric touchpad or **SOFT KEY 1 (Clear)** to clear and exit the timer.
3. Press **ENTER**.

Oven Timer

The Oven Timer is intended to mechanically shut the oven off when the desired cooking time is complete. The maximum oven time is *11 hours and 59 minutes*.

An oven timer may start from any mode editing or running state. These instructions assume you have placed food in the cooking space and have already selected a mode and temperature.

NOTE:

Oven Timer is not available for Chicken or Vegetables Automatic Programs.

Setting the Oven Timer

1. Press **SOFT KEY 2 (Oven Timer)**.
2. Enter the desired time using the numeric touchpad to set the time in the format HH:MM.
3. Press **ENTER**.
 - Once started, the display shows the timer countdown.
 - When the timer reaches zero, the display indicates "0:00" on its screen and sounds an alarm tone every 10 seconds for 2 minutes.
4. After the timer has finished, it may be reset by pressing the **OVEN CLEAR/OFF** or by opening the door.

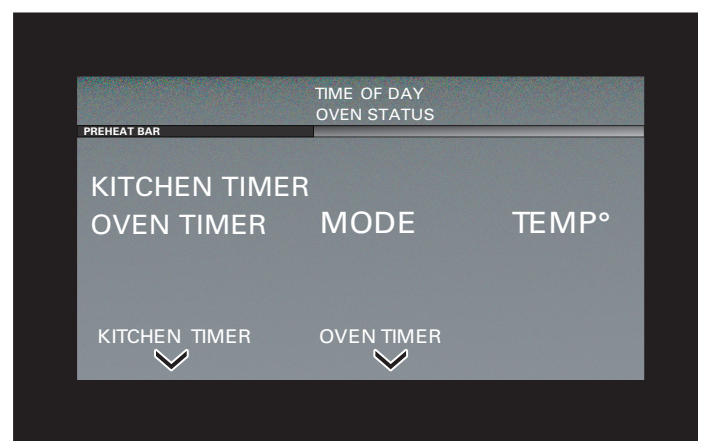
Editing the Oven Timer

1. Press **SOFT KEY 2 (Edit Oven Timer)**.
2. Set the new time using the numeric touchpad.
3. Press **ENTER**.

Multiple Timers

It is possible to set a combination of both a Kitchen Timer and an Oven Timer.

1. Set and edit the timers individually as instructed previously.
 - Both timers are displayed on the screen.



VEGETABLES and CHICKEN Automatic Programs

FOOD	DEFAULT WEIGHT	MIN. WEIGHT	MAX. WEIGHT	ACCESSORIES AND RACK LEVELS
VEGETABLES				
Wait until after cooking to season vegetables, including potatoes.				
Cauliflower florets	1.0 lbs. (0.4 kg)	0.2 lbs. (0.1 kg)	4.5 lbs. (2 kg)	Perforated (level 3) + baking pan (level 1)
Broccoli florets	1.0 lbs. (0.4 kg)	0.2 lbs. (0.1 kg)	4.5 lbs. (2 kg)	Perforated (level 3) + baking pan (level 1)
Green beans	1.0 lbs. (0.4 kg)	0.2 lbs. (0.1 kg)	4.5 lbs. (2 kg)	Perforated (level 3) + baking pan (level 1)
Green asparagus	1.0 lbs. (0.4 kg)	0.2 lbs. (0.1 kg)	4.5 lbs. (2 kg)	Perforated (level 3) + baking pan (level 1)
Mixed veggie steam	1.0 lbs. (0.4 kg)	0.2 lbs. (0.1 kg)	4.5 lbs. (2 kg)	Perforated (level 3) + baking pan (level 1)
Peeled potatoes	1.0 lbs. (0.4 kg)	0.2 lbs. (0.1 kg)	4.5 lbs. (2 kg)	Perforated (level 3) + baking pan (level 1)
Unpeeled potatoes	1.0 lbs. (0.4 kg)	0.2 lbs. (0.1 kg)	4.5 lbs. (2 kg)	Perforated (level 3) + baking pan (level 1)
CHICKEN				
Weigh individual pieces of chicken. Enter the weight of the heaviest piece. DO NOT place pieces of chicken on top of one another in the ovenware. You can marinate the pieces of chicken before cooking.				
Whole chicken	3.5 lbs. (1.6 kg)	1.5 lbs. (0.7 kg)	5.0 lbs. (2.3 kg)	Wire rack + baking pan (level 2)
Chicken portions	0.25 lbs. (0.1 kg)	0.1 lbs. (0.04 kg)	0.75 lbs. (0.36 kg)	Wire rack + baking pan (level 2)

Setting the Automatic Program

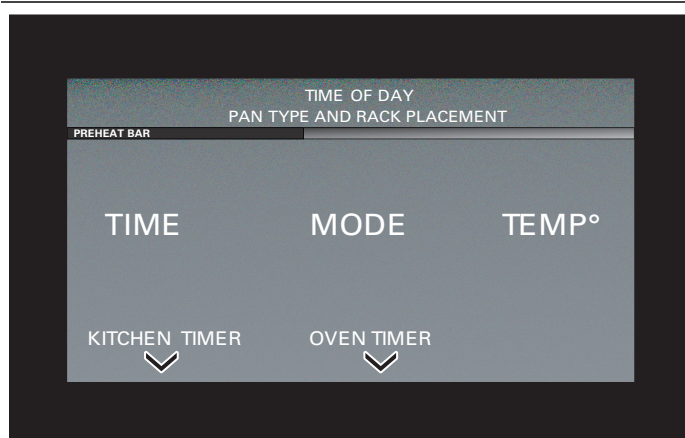
Choose the Food

- Select either **CHICKEN** or **VEGETABLES** on the control panel.
 - The display screen will show a list of food groupings.
- Press **SOFT KEY 2 (Food Type)** to advance through the menu options.
- Press the **ENTER** button on the control panel to select the desired food.
 - The display will show the rack level (levels 1 – 3) and specific ovenware/accessories that should be used.

- Place food in steam oven at the indicated locations.
- Close the oven door.

Set the Weight

- Press the numeric touchpad buttons to adjust the weight of the food you will be cooking.
 - Each type of food has a maximum and minimum weight setting.
- Press **ENTER**.
 - The display will show cooking time for the particular choice of food.
 - The oven will begin preheating.



Steam Oven Modes

Temperature Setting for Each Mode

Different modes have different possible minimum and maximum temperatures. The following table describes the limits on setting the temperature ranges for each mode:

COOKING MODE	MINIMUM TEMP.	MAXIMUM TEMP.
STEAM	95°F (35°C)	212°F (100°C)
STEAM CONV	250°F (121°C)	450°F (232°C)
DEFROST	110°F (43°C) only	
PROOF	100°F (37°C) only	
DISH WARMING	125°F (51°C) only	
REHEAT	210°F (99°C)	360°F (182°C)
EUROPEAN CONV	95°F (35°C)	450°F (232°C)
KEEP WARM	140°F (60°C) only	
SLOW COOK	140°F (60°C)	250°F (121°C)
CHICKEN	Automatic Program	
VEGETABLES	Automatic Program	

Steam

The Advantages of Cooking with Steam:

- **Almost no loss of nutrients:** When steamed, food is not immersed in water, so the vitamins and minerals do not leach out. Studies have shown that steamed broccoli, for example, contains 50% more vitamin C than boiled broccoli.
- **Low-fat cooking:** Food can be cooked with low amounts of fat or, depending on taste, with no fat at all. When meat is steamed, the fat separates itself from the meat and drips into the baking pan.
- **Meat cooking:** Cook a 14 lb. turkey in just 90 minutes in the oven's Steam Conv mode. Golden on the outside; moist on the inside.
- **Appetizing appearance:** Foods retain their natural color when cooked with steam. Cooked vegetables look like they have been freshly harvested.
You rarely need to stir or turn the food, which means that even delicate fish dishes retain their shape. Foods do not dry out.
- **Flavorful enjoyment:** Steaming provides naturally flavorful food that needs hardly any salt.
- **Cooking a menu:** With steam you can cook several components of a menu at the same time, with little or no seasoning, without the different flavors mixing.

Tips for Steaming

- Foods with similar cooking times may be cooked together, saving energy and clean-up time.
- Place the baking pan underneath the perforated pan to collect precipitate and food spills.
- Season vegetables after steaming.

Steam Conv

Steam and convection are used together with the Steam Conv mode. Roasts get crispy on the outside and juicy on the inside thanks to the combination of convection and steam. Pastries get a nice, shiny surface and do not dry out. Use convection steam for any foods you want to be tender inside and roasted or crisped outside.

This combination is particularly suitable for cooking meat and baking bread and rolls. Steam Conv also works exceptionally well for roasting vegetables.

Tips for Steam Convection

- Season meat carefully – the slow roasting of the meat intensifies the aromas and flavors.
- For meats and poultry, the temperature should not be reduced. The temperature recommended in recipes and cooking charts for meats and poultry should be used.
- Use a meat thermometer to verify that the interior of the meat is fully cooked.

Defrost

Use the Defrost function for defrosting food such as meat, poultry, vegetables, pastries and cakes, bread and fruit.

Tips for Defrosting

- When defrosting poultry, set the food on the rack and insert the baking pan beneath it. This prevents the food from lying in the defrosting liquid.
- Turn, stir, or separate food about halfway through the defrosting period.
- **DO NOT** refreeze food once it has been defrosted. Food should be cooked immediately after the defrost.
- Defrost deep frozen, precooked meals according to the manufacturer's instructions.

Proof

The Proof mode maintains the warm, non-drafty environment needed for proofing yeast leavened products.

Tips for Proofing

- Allow dough to thaw if frozen. Place dough in dish and loosely cover.
- It is best to start with a cool oven when using the proofing function.
- Use any rack level that accommodates the size of the bowl or pan. Dough has “proofed” when it has doubled in size.
- Do not open the oven door unnecessarily. Opening the door will lower the temperature of the air in the oven and lengthen the proofing time. Use the oven light to check the rising of the dough.

Dish Warming

Heats and keeps warm oven-safe ovenware, plates, and bowls.

Place dishes in the oven before heating the oven. **DO NOT** place cold dishes in an already warm oven as this may cause thermal shock and may cause the dish to shatter.

Reheat

Reheat mode uses steam and hot air to gently restore food. The combination of air and moisture in the Reheat mode warms food evenly and without drying. Entrees, casseroles, side dishes, and leftovers are warmed to serving temperature without compromising quality.

Tips for Reheating

- If possible, arrange the food so that it is spread out evenly on the dish.
- Food does not need to be stirred during Reheat.
- Reheat times vary for foods, so check food occasionally to prevent overcooking.
- Reheat a plate of food, no cover necessary.

European Conv

European Conv operates as a convection oven, with no steam. During the European Conv mode, a heating element at the back of the cooking compartment is heated. The fan then circulates the hot air evenly around the food. Multiple racks of foods can be cooked or large quantities of foods can be cooked at the same time. Foods will cook thoroughly without having to rotate pans.

European Conv is most suitable for making sweet and savory pastries, pot roasts, and various cakes; this mode is not suitable for braising.

Tips for Convection Cooking

- For greatest efficiency, load oven to capacity whenever possible.
- Do not cover foods. Covering the food inhibits the cooking process.
- Preheat the oven first unless specified differently in the recipe.

Keep Warm

The Keep Warm mode will keep hot, cooked foods at serving temperature. **ALWAYS** start with hot food. **DO NOT** use this mode to heat cold food other than for crisping crackers, chips and dry cereal. **DO NOT** use the Keep Warm mode to cook food.

NOTES:

- Food may be kept hot in its cooking container or transferred to a heat-safe serving dish.
- Allow time for the oven to preheat before placing warm, cooked food in the oven.
- Do not open the oven door unnecessarily. Opening the door will reduce the temperature of the oven. Use the oven light to check the food.

Slow Cook

Slow Cook is ideal for cooking all tender cuts of meat that will be cooked medium rare. The meat stays very moist and is tender.

Cooking Tip for Slow Cooking

- Place the baking pan in the oven and preheat the oven using Slow Cook mode. **Sear the meat well on all sides on the cooktop.** Place the meat in the preheated combination oven and continue to slow cook.

Chicken and Vegetables Automatic Programs

There are two sets of automatic programs for the steam oven. These programs are grouped under menu classes labeled “Chicken” and “Vegetables”. Both of the automatic programs adjust the modes, temperatures, and cooking times based on the weight input by the user. Using the automatic programming allows the user to prepare dishes quickly and easily. See “*VEGETABLES and CHICKEN Automatic Programs*” on page 13.

Getting the Most Out of Your Steam Oven

General Tips

Preheating the Oven

- Place oven rack in desired position before heating the oven.
- Preheat the oven when using the Slow Cook, European Conv, or Keep Warm modes.
- Place food in the steam oven before preheat for modes that use steam. Food needs to be in the oven during preheat for steam modes. If the door is opened to put food inside after the preheat cycle then the steam will leave the cavity, lowering the temperature, which may cause the food to be undercooked.

⚠ WARNING

DO NOT use aluminum foil or protective liners to line any part of the appliance, especially the oven bottom. Installing these liners may result in risk of electric shock or fire.

Ovenware

If you use ovenware, always place it on the center of the rack.

The ovenware must be heat and steam resistant. Thick-walled ovenware extends the cooking time.

Use foil to cover food that would normally be prepared in a water bath (such as when melting chocolate).

Distribute Food Evenly

Always distribute the food evenly in the ovenware. If the food is placed unevenly in the ovenware, it will cook unevenly.

Delicate Food

Do not layer delicate foods too high in the baking pan. It is better to use two pans in this case.

Converting Conventional Baking to Convection Baking

Cooking temperatures versus traditional ovens may be 25 degrees less, and times may be about 25% faster, saving valuable time and lowering energy costs.

To convert most recipes for baked items (cookies, cakes, pies, etc.), reduce the oven temperature by 25°F (14°C). For meats and poultry, the temperature should not be reduced. The temperature recommended in recipes and cooking charts for meats and poultry should be used.

Cooking an Entire Meal

You can cook entire meals at the same time in Steam mode without mixing the flavors of the different food. Place the food with the longest cooking time in the appliance first and then add the remaining dishes at the appropriate time. This will ensure that all dishes are ready at the same time.

The total cooking time will be longer when cooking an entire meal, since every time the appliance door is opened, some steam escapes and the appliance has to reheat.

Cooking Tables and Tips

The following in the Cooking Recommendations charts contain a selection of dishes that can be easily prepared in the steam oven. You can find out which oven mode, accessories and cooking time are best suited for your dish. If not specified otherwise, this information applies to dishes placed in a cold appliance.

When steaming, the cooking times are based on the size of the piece, not on the entire quantity of food. The appliance can steam up to 14 lbs. (6.4 kg) of food.

Note the sizes of pieces listed in the tables. The cooking time is shorter for smaller pieces and longer for larger pieces. The quality and age of the food also affect the cooking time. The values provided therefore serve only as a guideline.

Cooking Recommendations

Vegetables

Place vegetables in the perforated pan and set at rack level 3. Place the baking pan underneath it at rack level 1. The baking pan will catch any drippings.

FOOD	SIZE	ACCESSORIES	OVEN MODE	TEMPERATURE	COOKING TIME
Artichokes	Whole	Perforated + baking pan	Steam	212°F (100°C)	30 – 35 min.
Asparagus, green*	Whole	Perforated + baking pan	Steam	212°F (100°C)	7 – 12 min.
Asparagus, white*	Whole	Perforated + baking pan	Steam	212°F (100°C)	10 – 15 min.
Beets, red	Whole	Perforated + baking pan	Steam	212°F (100°C)	40 – 50 min.
Broccoli	Florets	Perforated + baking pan	Steam	212°F (100°C)	8 – 10 min.
Brussels sprouts	Florets	Perforated + baking pan	Steam	212°F (100°C)	20 – 30 min.
Cabbage, green	Shredded	Perforated + baking pan	Steam	212°F (100°C)	25 – 35 min.
Cabbage, red	Shredded	Perforated + baking pan	Steam	212°F (100°C)	30 – 35 min.
Carrots	Slices	Perforated + baking pan	Steam	212°F (100°C)	10 – 20 min.
Cauliflower	Florets	Perforated + baking pan	Steam	212°F (100°C)	10 – 15 min.
Cauliflower	Whole	Perforated + baking pan	Steam	212°F (100°C)	30 – 40 min.
Fennel	Slices	Perforated + baking pan	Steam	212°F (100°C)	10 – 14 min.
Green beans	–	Perforated + baking pan	Steam	212°F (100°C)	15 – 20 min.
Kohlrabi	Slices	Perforated + baking pan	Steam	212°F (100°C)	15 – 20 min.
Leeks	Slices	Perforated + baking pan	Steam	212°F (100°C)	4 – 6 min.
Peas	–	Perforated + baking pan	Steam	212°F (100°C)	5 – 10 min.
Pea pods	–	Perforated + baking pan	Steam	212°F (100°C)	8 – 12 min.
Spinach*	–	Perforated + baking pan	Steam	212°F (100°C)	2 – 3 min.
Stuffed vegetables (zucchini, eggplant, peppers)	DO NOT precook vegetables	Baking pan (level 2)	Steam Conv	320 – 360°F (160 – 180°C)	15 – 30 min.
Swiss Chard*	Shredded	Perforated + baking pan	Steam	212°F (100°C)	8 – 10 min.
Zucchini	Slices	Perforated + baking pan	Steam	212°F (100°C)	2 – 3 min.

* Preheat the appliance. Place food in oven before preheat unless using the Slow Cook or European Conv modes.

Side Dishes and Legumes

Add the appropriate amount of water or liquid. Example: 1:1.5 = for every 1/2 cup.

FOOD	RATIO	ACCESSORIES	OVEN MODE	TEMPERATURE	COOKING TIME
Potatoes (unpeeled)	Medium size	Perforated (level 3) + baking pan (level 1)	Steam	212°F (100°C)	35 – 45 min.
Potatoes (peeled)	Quartered	Perforated (level 3) + baking pan (level 1)	Steam	212°F (100°C)	20 – 25 min.
Potato gratin	–	Baking pan (level 2)	Steam	212°F (100°C)	35 – 45 min.
Brown rice	1:2	Baking pan (level 2)	Steam	212°F (100°C)	30 – 40 min.
Long grain rice	1:2	Baking pan (level 2)	Steam	212°F (100°C)	20 – 30 min.
Basmati rice	1:1.5	Baking pan (level 2)	Steam	212°F (100°C)	20 – 30 min.
Parboiled rice	1:1.5	Baking pan (level 2)	Steam	212°F (100°C)	15 – 20 min.
Lentils	1:2	Baking pan (level 2)	Steam	212°F (100°C)	30 – 45 min.
Canellini beans, pre-softened	1:2	Baking pan (level 2)	Steam	212°F (100°C)	65 – 75 min.
Couscous	1:1	Baking pan (level 2)	Steam	212°F (100°C)	6 – 10 min.
Dumplings	–	Perforated (level 3) + baking pan (level 1)	Steam	205°F (95°C)	20 – 25 min.

Meat, Poultry, Fish

Insert rack and baking pan together at the same rack level. Once the roast is done, let it rest in the closed convection steam oven for an additional 10 minutes after turning it off. This will help the meat retain its juices.

Using the Steam Conv mode makes the meat particularly tender and juicy on the inside while forming a crust on the outside.

FOOD	WEIGHT	ACCESSORIES	OVEN MODE	TEMPERATURE	COOKING TIME
POULTRY					
Chicken, whole	2.65 lbs. (1.2 kg)	Wire rack + baking pan (level 2)	Steam Conv	360 – 375°F (180 – 190°C)	50 – 60 min.
Chicken, halved	per 1 lbs. (0.4 kg)	Wire rack + baking pan (level 2)	Steam Conv	360 – 375°F (180 – 190°C)	35 – 45 min.
Chicken breast	per 0.33 lbs. (0.15 kg)	Perforated (level 3) + baking pan (level 1)	Steam	212°F (100°C)	15 – 25 min.
Chicken pieces	per 2.65 lbs. (1.2 kg)	Wire rack + baking pan (level 2)	Steam Conv	360 – 375°F (180 – 190°C)	20 – 35 min.
Duck, whole	4.5 lbs. (2 kg)	Wire rack + baking pan (level 2)	Steam Conv / European Conv	340°F (170°C)/ 410°F (210°C)	60 – 80 min./ 15 – 20 min.
Duck breast*	per 0.77 lbs. (0.35 kg)	Wire rack + baking pan (level 2)	Steam Conv	360 – 375°F (180 – 190°C)	10 – 15 min.
Turkey, whole, unstuffed	8 – 11 lbs.	Wire rack + baking pan (level 2)	Steam Conv	325°F (165°C)	50 – 75 min.
Turkey, whole, unstuffed**	12 – 14 lbs.	Wire rack + baking pan (level 2)	Steam Conv	325°F (165°C)	80 – 95 min.
Rolled turkey roast	3.5 lbs. (1.5 kg)	Wire rack + baking pan (level 2)	Steam Conv	300 – 320°F (150 – 160°C)	70 – 90 min.
Turkey breast	2 lbs. (1 kg)	Wire rack + baking pan (level 2)	Steam Conv	300 – 320°F (150 – 160°C)	60 – 80 min.

* Sear first

** Use baking pan 1–5/8" deep (see Additional Accessories)

FOOD	WEIGHT	ACCESSORIES	OVEN MODE	TEMPERATURE	COOKING TIME
BEEF					
Pot-roasted beef*	3.5 lbs. (1.5 kg)	Wire rack + baking pan (level 2)	Reheat	285 – 300°F (140 – 150°C)	100 – 140 min.
Filet of beef, medium*	2 lbs. (1 kg)	Wire rack + baking pan (level 2)	Reheat	340 – 360°F (170 – 180°C)	20 – 28 min.
Thin slice of roast beef, medium*	2 lbs. (1 kg)	Wire rack + baking pan (level 2)	European Conv	340 – 360°F (170 – 180°C)	40 – 55 min.
Thick slice of sirloin, medium*	2 lbs. (1 kg)	Wire rack + baking pan (level 2)	European Conv	340 – 360°F (170 – 180°C)	45 – 60 min.
VEAL					
Veal, bone-in	3.5 lbs. (1.5 kg)	Wire rack + baking pan (level 2)	Steam Conv	320 – 360°F (160 – 180°C)	50 – 70 min.
Veal loin	2 lbs. (1 kg)	Wire rack + baking pan (level 2)	Steam Conv	320 – 360°F (160 – 180°C)	15 – 25 min.
Breast of veal, stuffed	3.5 lbs. (1.5 kg)	Wire rack + baking pan (level 2)	Steam Conv	285 – 320°F (140 – 160°C)	75 – 120 min.
PORK					
Bone-in without rind	3.5 lbs. (1.5 kg)	Wire rack + baking pan (level 2)	Steam Conv	320 – 360°F (160 – 180°C)	50 – 70 min.
Bone-in with rind	3.5 lbs. (1.5 kg)	Wire rack + baking pan (level 2)	Steam/ Steam Conv	210°F (99°C)/ 285 – 320°F (140 – 160°C)	20 – 25 min. 40 – 50 min.
			European Conv	410 – 430°F (140 – 160°C)	20 min.
Pork chop, boneless*	1.2 lbs. (0.5 kg)	Wire rack + baking pan (level 2)	Steam Conv	285 – 320°F (140 – 160°C)	75 – 120 min.
Fillet in puff pastry	2 lbs. (1 kg)	Baking pan (level 2)	Steam Conv	360 – 390°F (180 – 200°C)	40 – 60 min.
Smoked pork on the bone	2 lbs. (1 kg)	Wire rack + baking pan (level 2)	Steam Conv	250 – 285°F (120 – 140°C)	60 – 70 min.
Smoked pork ribs	1 lb. (0.4 kg)	Baking pan (level 2)	Steam	210°F (99°C)	45 – 60 min.
Rolled roast	3.5 lbs. (1.5 kg)	Wire rack + baking pan (level 2)	Steam Conv	340 – 360°F (170 – 180°C)	70 – 80 min.
OTHER					
Meat loaf (made from ground meat)	1.2 lbs. (0.5 kg)	Baking pan (level 2)	Steam Conv	340 – 360°F (170 – 180°C)	45 – 60 min.
Boned leg of lamb	3.5 lbs. (1.5 kg)	Wire rack + baking pan (level 2)	Steam Conv	340 – 360°F (170 – 180°C)	60 – 80 min.
Loin of lamb on the bone*	3.5 lbs. (1.5 kg)	Wire rack + baking pan (level 2)	Steam Conv	320 – 360°F (160 – 180°C)	15 – 25 min.
Wiener sausages	–	Perforated (level 3) + baking pan (level 1)	Steam	175 – 185°F (80 – 85°C)	12 – 18 min.
FISH					
Whole	per 0.66 lbs. (0.3 kg)	Perforated (level 3) + baking pan (level 1)	Steam	175 – 195°F (80 – 90°C)	15 – 25 min.
Fillet	per 3.5 lbs. (1.5 kg)	Perforated (level 3) + baking pan (level 1)	Steam	175 – 195°F (80 – 90°C)	10 – 20 min.
Trout, whole	per 0.5 lbs. (0.2 kg)	Perforated (level 3) + baking pan (level 1)	Steam	175 – 195°F (80 – 90°C)	12 – 15 min.

* Sear first

** Use baking pan 1–5/8" deep (see Additional Accessories)

FOOD	WEIGHT	ACCESSORIES	OVEN MODE	TEMPERATURE	COOKING TIME
Cod, filet	per 0.33 lbs. (0.15 kg)	Perforated (level 3) + baking pan (level 1)	Steam	175 – 195°F (80 – 90°C)	10 – 14 min.
Salmon, filet	per 0.33 lbs. (0.15 kg)	Perforated (level 3) + baking pan (level 1)	Steam	212°F (100°C)	8 – 10 min.
Clams, oysters	0.33 lbs. (0.15 kg)	Baking pan (level 2)	Steam	212°F (100°C)	10 – 15 min.
Haddock, perch filet	per 0.5 lbs. (0.2 kg)	Perforated (level 3) + baking pan (level 1)	Steam	175 – 195°F (80 – 90°C)	10 – 20 min.
Stuffed sole rolls	–	Perforated (level 3) + baking pan (level 1)	Steam	175 – 195°F (80 – 90°C)	10 – 20 min.
Shrimp, large	per 1 lb (0.4 kg)	Perforated (level 3) + baking pan (level 1)	Steam	212°F (100°C)	8 – 13 min.
Shrimp, medium	per 1 lb (0.4 kg)	Perforated (level 3) + baking pan (level 1)	Steam	212°F (100°C)	5 – 8 min.

* Sear first

** Use baking pan 1–5/8" deep (see Additional Accessories)

Slow Cooking Meat

FOOD	WEIGHT	ACCESSORIES	TEMPERATURE	COOKING TIME
Boned leg of lamb	2 – 3.5 lbs. (1 – 1.5 kg)	Baking pan (level 2)	175°F (80°C)	140 – 160 min.
Roast beef	3.5 – 5.5 lbs. (1.5 – 2.5 kg)	Baking pan (level 2)	175°F (80°C)	150 – 180 min.
Pork fillets	–	Baking pan (level 2)	175 – 195°F (80 – 90°C)	50 – 70 min.
Pork medallions	–	Baking pan (level 2)	175°F (80°C)	50 – 60 min.
Beef steaks	approx. 1.2 in. thick	Baking pan (level 2)	175°F (80°C)	40 – 80 min.
Duck breast	–	Baking pan (level 2)	175°F (80°C)	35 – 55 min.

Souffles, Casseroles, Additions to Soups

FOOD	ACCESSORIES	OVEN MODE	TEMPERATURE	COOKING TIME
Lasagna	Baking pan (level 2)	Steam Conv	320 – 340°F (160 – 170°C)	35 – 45 min.
Souffles	Souffle dish + wire rack (level 2)	Steam Conv	360 – 390°F (180 – 200°C)	15 – 25 min.
Semolina dumplings	Perforated (level 3) + bak- ing pan (level 1)	Steam	195°F (205°C)	7 – 10 min.

Desserts, Compotes

Compote: Weigh out the fruit, add approximately 1/3 of water and add sugar and spices to taste.

Rice pudding: Weigh out the rice and add 2.5 times as much milk. Add the rice and milk no higher than 1 inch up the side of the accessory. Stir after cooking. The remaining milk will be absorbed quickly.

Yogurt: Heat the milk on the cooktop to 195°F (90°C). Remove from heat and let cool to 105°F (40°C). Heating the milk is not required if using ultra high temperature (UHT) milk. Stir in one to two teaspoons of plain yogurt, or the appropriate amount of yogurt starter per 100 ml of milk. Pour the mixture into clean glass jars and cover with lids. After it is done, arrange it on preheated plates and add a warm sauce on top. After preparation, place the jars in the refrigerator to cool.

FOOD	ACCESSORIES	OVEN MODE	TEMPERATURE	COOKING TIME
Yeast dumplings	Baking pan (level 2)	Steam	212°F (100°C)	20 – 25 min.

FOOD	ACCESSORIES	OVEN MODE	TEMPERATURE	COOKING TIME
Egg custard	Mold + wire rack (level 2)	Steam	195 – 205°F (90 – 95°C)	15 – 20 min.
Sweet baked items (such as rice pudding)	Ovenproof dish + wire rack (level 2)	Steam Conv	320 – 340°F (160 – 170°C)	50 – 60 min.
Rice pudding	Baking pan (level 2)	Steam	212°F (100°C)	25 – 35 min.
Yogurt	Portion-sized jars + wire rack (level 2)	Steam	105°F (40°C)	300 – 360 min.
Apple compote	Baking pan (level 2)	Steam	212°F (100°C)	10 – 15 min.
Pear compote	Baking pan (level 2)	Steam	212°F (100°C)	10 – 15 min.
Cherry compote	Baking pan (level 2)	Steam	212°F (100°C)	10 – 15 min.
Rhubarb compote	Baking pan (level 2)	Steam	212°F (100°C)	10 – 15 min.
Plum compote	Baking pan (level 2)	Steam	212°F (100°C)	10 – 15 min.

Cakes and Baked Goods

Dark metal baking pans are recommended. The temperature and cooking time depend on the quantity and consistency of the dough. Temperature ranges are therefore provided in the charts. Start with a lower temperature setting. This will provide for more even browning. Use a higher temperature setting the next time, if necessary. **DO NOT** overfill the rack or baking pan.

FOOD	ACCESSORIES	OVEN MODE	TEMPERATURE	COOKING TIME
CAKE IN MOLDS OR SPRINGFORM PANS				
Sponge cake	10-inch tube pan + wire rack (level 2)	European Conv	300 – 320°F (150 – 160°C)	60 – 70 min.
Sponge flan base	Ring + wire rack (level 2)	European Conv	300 – 320°F (150 – 160°C)	30 – 45 min.
Delicate fruit flan, sponge	Springform cake pan + wire rack (level 2)	European Conv	300 – 320°F (150 – 160°C)	45 – 55 min.
Sponge base (2 eggs)	Ring + wire rack (level 2)	European Conv	360 – 375°F (180 – 175°C)	12 – 16 min.
Sponge flan (6 eggs)	Springform cake pan + wire rack (level 2)	European Conv	300 – 320°F (150 – 160°C)	25 – 35 min.
Shortcrust pastry base with crust	Springform cake pan + wire rack (level 2)	European Conv	300 – 320°F (150 – 160°C)	40 – 50 min.
Swiss flan	Springform cake pan + wire rack (level 2)	European Conv	360 – 375°F (180 – 175°C)	35 – 60 min.
Bundt®	Bundt® cake pan + wire rack (level 2)	European Conv	300 – 320°F (150 – 160°C)	35 – 45 min.
Savory cakes	Quiche dish + wire rack (level 2)	European Conv	360 – 375°F (180 – 175°C)	35 – 60 min.
Apple tart	Flan base cake pan + wire rack (level 2)	European Conv	340 – 375°F (170 – 190°C)	35 – 50 min.
SHEET CAKES				
Yeast cake	Baking pan (level 2)	Steam Conv / European Conv	300 – 320°F (150 – 160°C)/ 300 – 320°F (150 – 160°C)	35 – 45 min. 35 – 45 min.
Swiss roll	Baking pan (level 2)	European Conv	360 – 375°F (180 – 175°C)	10 – 15 min.
Braided loaf	Baking pan (level 2)	Steam Conv	300 – 320°F (150 – 160°C)	25 – 35 min.
Strudel, sweet	Baking pan (level 2)	Steam Conv	320 – 360°F (160 – 180°C)	40 – 60 min.

FOOD	ACCESSORIES	OVEN MODE	TEMPERATURE	COOKING TIME
Onion tart	Baking pan (level 2)	Steam Conv	340 – 360°F (170 – 180°C)	30 – 40 min.
BREAD, BREAD ROLLS				
White bread, 1.7 lbs. (0.75 kg) flour	Baking pan + parchment paper (level 2)	Steam Conv / European Conv	390 – 410°F (200 – 212°C)/ 320 – 340°F (160 – 170°C)	15 – 20 min./ 20 – 25 min.
Sourdough bread, 1.7 lbs. (0.75 kg) flour	Baking pan + parchment paper (level 2)	Steam Conv / European Conv	390 – 410°F (200 – 212°C)/ 300 – 320°F (150 – 160°C)	15 – 20 min./ 40 – 60 min.
Multigrain bread, 1.7 lbs. (0.75 kg) flour	Baking pan + parchment paper (level 2)	Steam Conv / European Conv	390 – 430°F (200 – 220°C)/ 320 – 340°F (160 – 170°C)	15 – 20 min./ 25 – 40 min.
Whole grain bread, 1.7 lbs. (0.75 kg) flour	Baking pan + parchment paper (level 2)	Steam Conv / European Conv	390 – 430°F (200 – 220°C)/ 285 – 300°F (140 – 150°C)	20 – 30 min./ 40 – 60 min.
Rye bread, 1.7 lbs. (0.75 kg) flour	Baking pan + parchment paper (level 2)	Steam Conv / European Conv	390 – 430°F (200 – 220°C)/ 300 – 320°F (150 – 160°C)	20 – 30 min./ 50 – 60 min.
Bread rolls, 0.15 lbs. (70 g) each, unbaked	Baking pan + parchment paper (level 2)	Steam Conv	375 – 390°F (190 – 200°C)	25 – 30 min.
Bread rolls made with sweet yeast dough, 0.15 lbs. (70 g) each, unbaked	Baking pan + parchment paper (level 2)	Steam Conv	340 – 360°F (170 – 180°C)	20 – 30 min.
SMALL BAKED PRODUCTS				
Chocolate chip cookies	Cookie sheet + Wire rack (level 3)	European Conv	325°F (163°C)	9 – 13 min.
Sugar cookies	Cookie sheet + Wire rack (level 3)	European Conv	325°F (163°C)	7 – 10 min.
Meringue	Baking pan (level 2)	European Conv	175 – 195°F (80 – 90°C)	120 – 180 min.
Macaroons	Baking pan (level 2)	European Conv	285 – 320°F (140 – 160°C)	15 – 25 min.
Puff pastry	Baking pan (level 2)	Steam Conv	340 – 375°F (170 – 190°C)	10 – 20 min.
Muffins	Muffin pan + wire rack (level 2)	European Conv	340 – 375°F (170 – 190°C)	20 – 30 min.
Choux pastry, such as cream puffs	Baking pan (level 2)	European Conv	340 – 375°F (170 – 190°C)	27 – 35 min.
Biscuits	Baking pan (level 2)	European Conv	300 – 320°F (150 – 160°C)	12 – 17 min.
Leavened cake, such as apple cake	Baking pan (level 2)	European Conv	300 – 320°F (150 – 160°C)	15 – 20 min.

Reheating Foods

FOOD	ACCESSORIES	OVEN MODE	TEMPERATURE	COOKING TIME
Dinner plate	Wire rack (level 2)	Reheat	250°F (120°C)	12 – 18 min.
Vegetables	Baking pan (level 3)	Reheat	210°F (99°C)	12 – 15 min.
Noodles, potatoes, rice	Baking pan (level 3)	Reheat	210°F (99°C)	5 – 10 min.
Bread rolls*	Baking pan + Wire rack (level 2)	Steam Conv	340 – 360°F (170 – 180°C)	6 – 8 min.
Baguettes*	Baking pan + Wire rack (level 2)	Steam Conv	340 – 360°F (170 – 180°C)	5 – 10 min.
Bread*	Baking pan + Wire rack (level 2)	Steam Conv	340 – 360°F (170 – 180°C)	8 – 12 min.
Pizza	Wire rack + baking pan (level 3)	Reheat	340 – 360°F (170 – 180°C)	12 – 15 min.

*Preheat for 5 minutes

Defrosting

Freeze the food as flat as possible and in appropriate portions at -0°F (-18°C). Do not freeze oversized portions. Defrosted food does not keep as long and spoils more quickly than fresh food. Defrost the food in the freezer bag on a plate or in the perforated pan. Always slide the baking pan under the perforated baking pan. This keeps the food from lying in the defrosted water and keeps the oven clean. Use the Defrost mode. If necessary, while the food is thawing, split it up or take pieces that have already thawed out of the appliance. Let the food sit for another 5 – 15 minutes after it has thawed to reach room temperature.

▲ WARNING

When defrosting animal food products, make sure to remove the thawed liquid. The liquid must not come into contact with other food products. Bacteria could be transferred to the other food. After the food has thawed, heat up the steamer oven using European Conv for 15 minutes at 360°F (180°C).

Defrosting meats: Thaw cuts of meat that will be breaded just until seasonings and bread crumbs can stick to the meat.

Defrosting poultry: Remove from packaging before defrosting. Make sure to pour out any defrosted liquid.

FOOD	WEIGHT	ACCESSORIES	TEMPERATURE	COOKING TIME
Chicken parts, bone-in	2 lbs. (1 kg)	Perforated (level 3) + baking pan (level 1)	115 – 120°F (45 – 50°C)	60 – 70 min.
Chicken parts, boneless	1 lb. (0.4 kg)	Perforated (level 3) + baking pan (level 1)	115 – 120°F (45 – 50°C)	30 – 35 min.
Block-frozen vegetables (such as spinach)	1 lb. (0.4 kg)	Perforated (level 3) + baking pan (level 1)	115 – 120°F (45 – 50°C)	20 – 30 min.
Berries	0.66 lbs. (0.3 kg)	Perforated (level 3) + baking pan (level 1)	115 – 120°F (45 – 50°C)	5 – 8 min.
Fish fillets	1 lb. (0.4 kg)	Perforated (level 3) + baking pan (level 1)	115 – 120°F (45 – 50°C)	15 – 20 min.
Beef	–	Perforated (level 3) + baking pan (level 1)	115 – 120°F (45 – 50°C)	70 – 80 min.

Proofing Dough

The dough rises much faster using this mode than at room temperature. You can choose any rack level for the rack or carefully place the rack on the oven bottom.

Place the dough-rising bowl on the rack. **DO NOT** cover the dough.

FOOD	WEIGHT	ACCESSORIES	TEMPERATURE	COOKING TIME
Yeast dough	2 lbs. (1 kg)	Bowl + wire rack	100°F (38°C)	20 – 30 min.
Sourdough	2 lbs. (1 kg)	Bowl + wire rack	100°F (38°C)	20 – 30 min.

Juice Extraction

Before extracting juice from berries, place the berries in a bowl and add sugar. Let the berries sit for one hour so that the juice is drawn out. Place berries in the perforated baking pan and place pan at rack level 3. To catch the juice, place the non-perforated baking pan at rack level 1. When ready, pour the berries into a cheese cloth and squeeze out the remaining juice.

Frozen Products

Follow the manufacturer's instructions on packaging. The specified cooking times apply to dishes placed in a cold oven.

FOOD	ACCESSORIES	OVEN MODE	TEMPERATURE	COOKING TIME
French fries	Baking pan + parchment paper (level 2)	European Conv	340 – 375°F (170 – 190°C)	25 – 35 min.
Croquettes	Baking pan + parchment paper (level 2)	European Conv	360 – 390°F (180 – 200°C)	18 – 22 min.
Thinly sliced fried potatoes	Baking pan + parchment paper (level 2)	European Conv	360 – 390°F (180 – 200°C)	25 – 30 min.
Pasta, fresh, refrigerated*	Baking pan + parchment paper (level 2)	Steam	212°F (100°C)	5 – 10 min.
Lasagna, frozen	Baking pan + wire rack (level 2)	Steam Conv	375 – 410°F (190 – 212°C)	35 – 55 min.
Pizza, thin crust	Baking pan + wire rack (level 2)	European Conv	360 – 390°F (180 – 200°C)	15 – 23 min.
Pizza, deep dish	Baking pan + wire rack (level 2)	European Conv	360 – 390°F (180 – 200°C)	18 – 25 min.
Pizza, french bread	Baking pan + wire rack (level 2)	European Conv	360 – 390°F (180 – 200°C)	18 – 22 min.
Chilled pizza	Baking pan + parchment paper (level 2)	European Conv	340 – 360°F (170 – 180°C)	12 – 17 min.
Herb butter baguettes, refrigerated	Baking pan (level 2)	European Conv	360 – 390°F (180 – 200°C)	15 – 20 min.
Pretzels, frozen	Baking pan + parchment paper (level 2)	European Conv	360 – 390°F (180 – 200°C)	18 – 22 min.
Partially cooked bread rolls or baguettes, pre-baked	Baking pan + parchment paper (level 2)	European Conv	300 – 340°F (150 – 170°C)	18 – 22 min.
Strudel, frozen	Baking pan + parchment paper (level 2)	Steam Conv	320 – 360°F (160 – 180°C)	45 – 60 min.
Fish sticks	Baking pan + parchment paper (level 2)	European Conv	380 – 400°F (195 – 205°C)	20 – 24 min.
Whole fish	Perforated (level 3) + Baking pan (level 1)	Steam	175 – 210°F (80 – 99°C)	20 – 25 min.
Frozen fish fillets	Baking pan + wire rack (level 2)	Steam Conv	360 – 390°F (180 – 200°C)	35 – 50 min.

*Add a little liquid.

FOOD	ACCESSORIES	OVEN MODE	TEMPERATURE	COOKING TIME
Salmon fillets	Perforated (level 3) + Baking pan (level 1)	Steam	175 – 210°F (80 – 99°C)	20 – 25 min.
Broccoli	Perforated (level 3) + Baking pan (level 1)	Steam	212°F (100°C)	4 – 6 min
Cauliflower	Perforated (level 3) + Baking pan (level 1)	Steam	212°F (100°C)	5 – 8 min.
Green beans	Perforated (level 3) + Baking pan (level 1)	Steam	212°F (100°C)	4 – 6 min
Peas	Perforated (level 3) + Baking pan (level 1)	Steam	212°F (100°C)	4 – 6 min
Carrots	Perforated (level 3) + Baking pan (level 1)	Steam	212°F (100°C)	3 – 5 min.
Mixed vegetables	Perforated (level 3) + Baking pan (level 1)	Steam	212°F (100°C)	4 – 8 min.
Brussels sprouts	Perforated (level 3) + Baking pan (level 1)	Steam	212°F (100°C)	5 – 10 min.

*Add a little liquid.

Special Foods

FOOD	SIZE	ACCESSORIES	OVEN MODE	TEMPERATURE	COOKING TIME
Soft cooked eggs	Large	Perforated + (level 3) Baking Pan (level 1)	Steam	212°F (100°C)	9 – 11 min.
Hard cooked eggs	Large	Perforated + Baking Pan	Steam	212°F (100°C)	14 – 17 min.

Cleaning and Maintenance

Cleaning

NOTICE:

- Remove food residue and spills from the cavity immediately after the appliance has cooled down. Burned on residue is very difficult to remove at a later time.
- Salts are very abrasive and can cause rust spots. Remove residue left by strong sauces (ketchup, mustard) or salted foods immediately after the oven has cooled down.

⚠ WARNING

RISK OF BURNS — Wait until the appliance has cooled before cleaning.

When Cleaning this Appliance:

- For general care, wipe the outside of the stainless steel with mild, lukewarm, soapy water. Always wipe and dry in the direction of the stainless steel grain. Rinse thoroughly.
- Always rub metal finishes in the direction of the polish lines for maximum effectiveness and to avoid marring the surface.
- Use only clean soft cloths, sponges, paper towels, or fibrous brushes for cleaning and scouring, as recommended in the chart on *page 27*.
- **DO NOT** use abrasive products such as steel wool.
- **DO NOT** use cellulose sponges. Some sponges are processed with salt and can cause corrosion by leaving salt deposits on the metal.
- **DO NOT** allow any cleaning compounds to remain in contact with stainless steel for extended periods.
- **DO NOT USE CHLORINE-BASED CLEANERS.**
- To remove fingerprints and produce added shine, use a stainless steel cleaner or conditioner. The BOSCH Stainless Steel Conditioner can be purchased online (US only) at: www.bosch-eshop.us (order part number 00576696).
- Always wipe dry immediately to avoid water marks.

IMPORTANT:

- **Never use abrasives to clean the steam oven.**
- **Remove all traces of cleaners used in the steam oven by carefully following all instructions for wiping out the oven and running rinse cycles. Cleaner residues can bond to the glass in the oven door. They can also adversely affect the flavor of foods cooked in the steam oven.**
- **Never use steel wool or abrasive pads to clean the steam oven. The oven cavity can rust if not properly cared for.**

Cleaning Sponge

Use the cleaning sponge to remove any water remaining in the evaporator dish. Wipe down the oven using the cleaning sponge and dry afterwards using a soft cloth.

The cleaning sponge provided is very absorbent. Use the cleaning sponge only to clean the oven cavity and to remove any remaining water from the evaporator dish.

Wash the cleaning sponge thoroughly before initial use. The cleaning sponge can be washed in a dishwasher.

Cleaners

Appliance exterior Stainless steel front trim; door handle	Soapy water, use a soft cloth to dry. Always remove lime deposits, grease, oil, starch and egg white stains immediately after the appliance has cooled down. Special stainless steel cleaners are available through customer service or at retail stores. Do not use corrosive or abrasive cleaners, which dull the surface. In the event that one of these products comes into contact with the oven, immediately clean it using a damp cloth.
Control Panel	To avoid damage to the control panel, do not use abrasive cleaners, steel-wool pads, gritty washcloths or abrasive paper towels. Apply glass cleaner to soft cloth or sponge, not directly on panel.
Oven interior	Warm soapy water or vinegar and water mixture. Use the cleaning sponge provided or a soft dishwashing brush. NOTICE: NEVER USE STEEL WOOL OR ABRASIVE PADS! The oven cavity can rust. If heavily soiled, use an all-purpose cleaner, such as Simple Green. Follow package directions for mixing. Spray on soils, allow to work for 15 – 30 minutes, then wipe the entire cavity with paper towels or cloth. Run Steam Clean cycle so the cavity is rinsed thoroughly. NOTICE: Do not allow the oven light, bulb or door gaskets to come in contact with the cleaner.
Evaporator dish	Warm soapy water or vinegar and water mixture.
Outer gasket on oven	Warm soapy water.
Water tank	Warm soapy water. DO NOT CLEAN IN DISHWASHER!
Tank slot	Wipe dry after each use.
Lid seal	Dry well after each use.
Rack rails	Use warm soapy water or wash in dishwasher.
Glass in door	Glass cleaner.
Accessories	Soak in warm soapy water. Clean with a brush or kitchen sponge or wash in dishwasher. Use a water and vinegar mixture for stains or discoloration caused by starchy foods (such as rice).

Steam Cleaning

Steam cleaning uses steam to help dissolve food residue and spills in the oven so that they can be easily wiped up. Steam cleaning includes a cleaning phase and a rinse cycle. Steam cleaning requires a total time of 30 – 35 minutes.

You can start Steam Clean only when the oven is set to OFF and is completely cooled down.

IMPORTANT:

Steam Cleaning requires 2 start/stop cycles to complete its operation. Once started, the Steam Cleaning operation cannot be aborted. The appliance will not operate again until after the rinse cycle to ensure that no cleaning agent remains inside.

NOTE:

If the door is opened for 30 seconds while the mode is running, the mode will pause and the oven timer countdown will suspend. When the door is closed, the mode and oven timer will resume. If the user has to manually restart the cycle, the mode will spool back to the beginning and the steam clean cycle will start from the beginning.

Cleaning Phase (cycle 1, approximately 30 minutes)

1. Let the oven cool down and remove any accessories.
2. Clean the evaporator dish with a cleaning sponge.
3. Fill the water tank to MAX before inserting it into the appliance.
4. Add a drop of dishwashing liquid to the evaporator dish.
5. Shut the oven door.
6. Select **SETTINGS** on the control panel.
7. Navigate to **STEAM CLEAN**.
8. Press **ENTER**.

9. Press **YES** to begin steam cleaning.
 - The display will show STEAM CLEAN and a time of 30 minutes. The display will start counting down.
 - If the door is opened for less than 30 seconds while the mode is running, the cleaning mode will pause and the oven timer countdown will suspend. When the door is closed, the mode and oven timer will resume.
 - If the door remains open for more than 30 seconds, the steam clean cycle will need to be restarted.

At the end of the cleaning phase, the countdown will suspend and an alarm will sound. The display will prompt the user to refill the water tank.

DO NOT press ENTER before following the instructions below:

Rinse Phase (cycle 2, approximately 20 seconds)

10. Refill the water tank then slide it back in.
 - If the water tank is not refilled and the ENTER button is pressed, the action will be ignored. The rinse cycle can only be completed if the water tank is refilled.
11. Remove the rack rails from the oven and clean softened food residues from them (see “Rack Cleaning” on page 29).
12. Wipe out the food residues from the oven and the evaporator dish with a cleaning sponge, thoroughly wash out the cleaning sponge.
13. Press **ENTER** to start the rinse.
 - The display will show STEAM CLEAN. The countdown will resume, and after another 20 seconds a beep will signal the end of STEAM CLEAN.
 - The display will show CLEAN STEAM DISH.
14. Wipe any remaining water from the evaporator dish with a cleaning sponge. Wipe down the oven. Thoroughly rinse out the cleaning sponge.
15. Dry the oven cavity with a soft cloth.
16. Press **ENTER**.

Descal

Unless you use softened water, you will need to descale the steam oven at regular intervals. Descaling includes a descaling phase and a rinse cycle, with a total time of 30-35 minutes.

If the number of hours of operation is exceeded, the “Descal Needed” message will be displayed each time when a new heating mode is selected. Select ENTER to continue. After the Descaling operation is finished, the operation hour counter will be reset and the message will no longer be displayed.

You can start descale only when the oven is set to OFF and it is completely cooled down.

IMPORTANT:

Descaling requires 2 start/stop cycles to complete its operation. Once started, the Descaling operation cannot be aborted. The appliance will not operate again until after the rinse cycle to ensure that no cleaning agent remains inside.

NOTE:

If the door is opened for less than a minute while the mode is running, the mode will pause and the oven timer countdown will suspend. When the door is closed, the mode and oven timer will resume. If the door remains open for more than 30 seconds, the mode will spool back to the beginning and the descale cycle will start from the beginning.

Descal Phase (cycle 1, approximately 30 minutes)

1. Use only the descaling powder recommended for this oven (BSH part number 00573828).
 - Obtain from your retailer or order from www.bosch-home.com/us/store,
2. Mix the descaling solution according to the package instructions.
3. Empty the water tank and refill it with the descaling solution. Return water tank to tank duct.
4. Select **SETTINGS** on the control panel.
5. Navigate to **DESCALE**.
6. Press **ENTER**
7. Press **YES** to begin descaling.
 - The display will show DESCAL and a time of 30 minutes. The display will start counting down.

At the end of the descaling phase, the countdown will suspend and a buzzer will sound. The display will prompt the user to refill the water tank and select the ENTER button to continue.

DO NOT press ENTER before following the instructions below:

Rinse Phase (cycle 2, approximately 20 seconds)

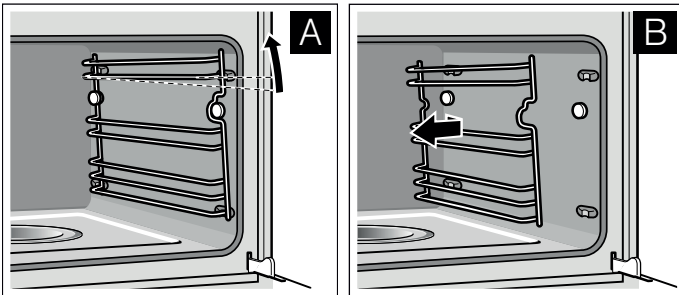
8. Remove the water tank and wash it out thoroughly. Fill it with water and slide it back in.
 - If the water tank is not refilled and the ENTER button is pressed, the action will be ignored. The rinse cycle can only be completed if the water tank is refilled.
9. Wipe any remaining water from the evaporator dish with a cleaning sponge. Wipe out the oven. Thoroughly rinse out the cleaning sponge.
10. Press **ENTER** to start the rinse cycle.
 - The display will show DESCAL. The countdown will resume, and after a short time (about 20 seconds), a beep will signal the end of the rinse.

11. After 20 seconds, a beep will signal the end of the rinsing cycle.
12. Wipe any remaining water from the evaporator dish with a cleaning sponge. Wipe out the oven. Thoroughly rinse out the cleaning sponge.
13. Dry the oven cavity with a soft cloth.
14. Press **ENTER**.

Rack Cleaning

Removing racks

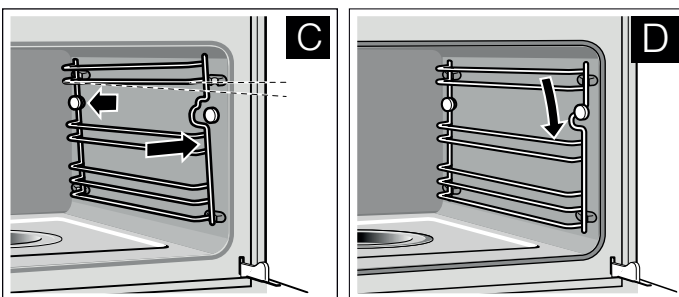
1. Carefully press the front of the rack up until it unhinges and release it sideways from the bracket (image A).
2. Unhinge the rack from the bracket and remove it (image B).



3. Clean racks with dish detergent and dish sponge/brush or clean racks in the dishwasher.

Reinserting racks

1. Insert the rack with the indentations facing up. The racks each only fit on one side.
2. Hook rack in back and push it back until it engages (image C).
3. Hook rack on the front bracket and press down until it engages and is horizontally secured in the appliance (image D).

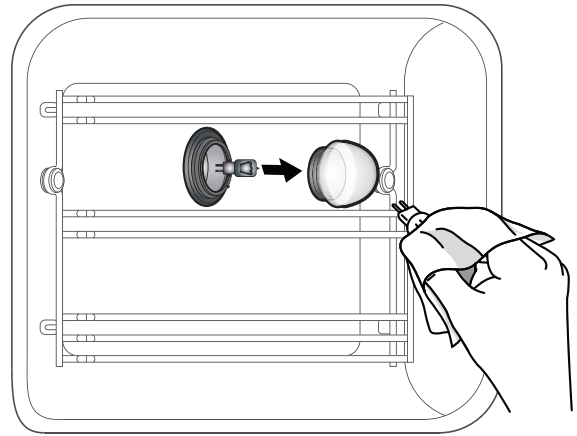


Maintenance

To Replace the Steam Oven Light Bulb

Heat-resistant 230V / 25W max. halogen bulbs with seals can be purchased through retail stores or customer service. When purchasing through customer service provide the appliance model and serial numbers.

1. Turn off power to the appliance at the main power supply (breaker box).
2. Rotate the cover counterclockwise.
3. Remove the bulb by grasping and pulling the bulb straight back.
4. Grasp the replacement bulb with a clean dry cloth. **DO NOT** touch the glass of the new replacement bulb with your fingers. It may cause the bulb to fail when it first lights.



5. Locate the two prongs in the ceramic holder, gently poking until the two prongs locate in the ceramic socket.
6. Ensure the seals and tension ring are on the glass cover. Screw the glass cover on.
7. Reconnect the appliance to power.

IMPORTANT:

DO NOT operate the appliance without the glass cover or seals.

Service

Before Calling Service

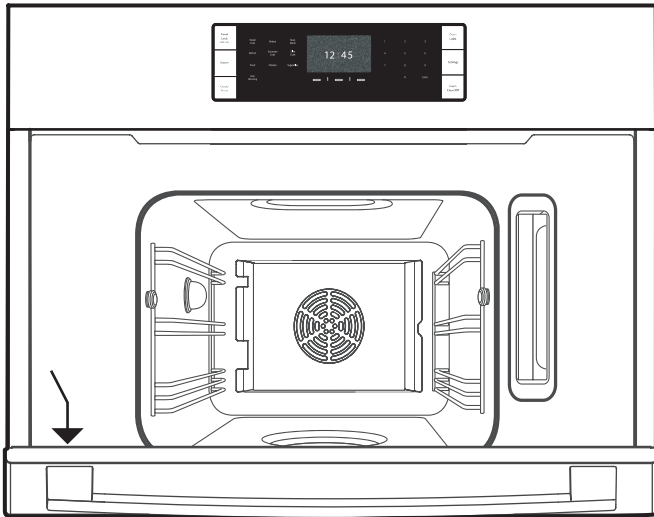
Troubleshooting

If you encounter a problem, it often will merely be something minor. Before you call customer service, consider the suggestions and instructions below.

PROBLEM	POSSIBLE CAUSE	TIP/SOLUTION
Appliance is not working	Cord is not plugged in	Connect appliance to power.
	Power outage	Check if other kitchen appliances are working.
	Circuit breaker may be tripped.	Reset breaker.
	Faulty operation	Turn off power to the appliance at the main power supply (fuse or breaker box) and turn it back on after approximately 10 seconds.
Appliance does not start	Appliance door is not closed all the way.	Close the appliance door.
Water tank empties without any apparent reason. Evaporator dish is overflowing.	Water tank was not closed properly.	Close the tank lid until it clearly snaps into place.
	Tank lid seal is dirty.	Clean the seal.
	Tank lid seal is not functioning.	A new water tank may be purchased through customer service.
Evaporator dish has been boiled dry even though the water tank is full	Water tank was not inserted correctly.	Slide in the water tank until it locks into place.
	Supply line is clogged.	Descale appliance.
A "plop" noise can be heard when cooking	Temperature change affecting frozen food and caused by water vapor.	This is normal.
Steam escapes from the vent openings when cooking		This is normal.
Appliance no longer produces steam correctly	The appliance needs to be descaled.	Descale appliance.

Data Rating Label

The data rating label shows the model and serial number. Refer to the data rating label on the appliance when requesting service. The data rating label is located behind the door.



Service Information

Repairs should only be done by a trained servicer. Improper repair of your appliance may result in risk of severe physical injury or death.

To reach a service representative, see the contact information at the front of the manual. Please be prepared with the information printed on your product data plate when calling.

For handy reference, copy the information below from the data rating plate. Keep your invoice for Warranty validation.

MODEL NUMBER _____

SERIAL NUMBER _____

DATE OF PURCHASE _____

Also, enter this information on the Product Registration Form included with this product.

Register your BSH product to ensure timely service and access to your product related information. You may register your product through one of the following ways:

1. Mail in the completed Registration card.
2. Register your product online at www.bosch-home.com/us/.

Statement of Limited Product Warranty

What this Warranty Covers & Who it Applies to

The limited warranty provided by BSH Home Appliances Corporation (BSH) in this Statement of Limited Product Warranty applies only to the Bosch appliance sold to you, the first using purchaser, provided that the Product was purchased:

- For your normal, household (non-commercial) use, and has in fact at all times only been used for normal household purposes.
- New at retail (not a display, "as is", or previously returned model), and not for resale, or commercial use.
- Within the United States or Canada, and has at all times remained within the country of original purchase.

The warranties stated herein apply only to the first purchaser of the Product and are not transferable.

Please make sure to return your registration card; while not necessary to effectuate warranty coverage, it is the best way for BSH to notify you in the unlikely event of a safety notice or product recall.

How Long the Warranty Lasts

BSH warrants that the Product is free from defects in materials and workmanship for a period of three hundred sixty-five days (365) days from the date of purchase. The foregoing timeline begins to run upon the date of purchase, and shall not be stalled, tolled, extended, or suspended, for any reason whatsoever.

This Product is also warranted to be free from cosmetic defects in material and workmanship (such as scratches of stainless steel, paint/porcelain blemishes, chips, dents, or other damage to the finish of the Product), for a period of thirty (30) days from the date of purchase or closing date for new construction. This cosmetic warranty excludes slight color variations due to inherent differences in painted and porcelain parts, as well as differences caused by kitchen lighting, product location, or other similar factors. This cosmetic warranty specifically excludes any display, floor, "As Is", or "B" stock appliances.

Repair/Replace as Your Exclusive Remedy

During this warranty period, BSH or one of its authorized service providers will repair your Product without charge to you (subject to certain limitations stated herein) if your Product proves to have been manufactured with a defect in materials or workmanship. If reasonable attempts to repair the Product have been made without success, then BSH will replace your Product (upgraded models may be available to you, in the sole discretion of BSH, for an additional charge). All removed parts and components shall become the property of BSH at its sole option. All replaced and/or repaired parts shall assume the identity of the original part for purposes of this warranty and this warranty shall not be extended with respect to such parts. BSH's sole liability and responsibility hereunder is to repair manufacturer-defective Product only, using a BSH-authorized service provider during normal business hours. For safety and property damage concerns, BSH highly recommends that you do not attempt to repair the Product yourself, or use an un-authorized servicer; BSH will have no responsibility or liability for repairs or work performed by a non-authorized servicer. If you choose to have someone other than an authorized service provider work on your Product, THIS WARRANTY WILL AUTOMATICALLY BECOME NULL AND VOID. Authorized service providers are those persons or companies that have been specially trained on BSH products, and who possess, in BSH's opinion, a superior reputation for customer service and technical ability (note that they are independent entities and are not agents, partners, affiliates or representatives of BSH). Notwithstanding the foregoing, BSH will not incur any liability, or have responsibility, for the Product if it is located in a remote area (more than 100 miles from an authorized service provider) or is reasonably inaccessible, hazardous, threatening, or treacherous locale, surroundings, or environment; in any such event, if you request, BSH would still pay for labor and parts and ship the parts to the nearest authorized service provider, but you would still be fully liable and responsible for any travel time or other special charges by the service company, assuming they agree to make the service call.

Out of Warranty Product

BSH is under no obligation, at law or otherwise, to provide you with any concessions, including repairs, pro-rates, or Product replacement, once this warranty has expired.

Warranty Exclusions

The warranty coverage described herein excludes all defects or damage that are not the direct fault of BSH, including without limitation, one or more of the following:

- Use of the Product in anything other than its normal, customary and intended manner (including without limitation, any form of commercial use, use or storage of an indoor product outdoors, use of the Product in conjunction with air or water-going vessels).
- Any party's willful misconduct, negligence, misuse, abuse, accidents, neglect, improper operation, failure to maintain, improper or negligent installation, tampering, failure to follow operating instructions, mishandling, unauthorized service (including self-performed "fixing" or exploration of the appliance's internal workings).
- Adjustment, alteration or modification of any kind.
- A failure to comply with any applicable state, local, city, or county electrical, plumbing and/or building codes, regulations, or laws, including failure to install the product in strict conformity with local fire and building codes and regulations.
- Ordinary wear and tear, spills of food, liquid, grease accumulations, or other substances that accumulate on, in, or around the Product.
- Any external, elemental and/or environmental forces and factors, including without limitation, rain, wind, sand, floods, fires, mud slides, freezing temperatures, excessive moisture or extended exposure to humidity, lightning, power surges, structural failures surrounding the appliance, and acts of God.

In no event shall BSH have any liability or responsibility whatsoever for damage to surrounding property, including cabinetry, floors, ceilings, and other structures or objects around the Product. Also excluded from this warranty are products on which the serial numbers have been altered, defaced, or removed; service visits to teach you how to use the Product, or visits where there is nothing wrong with the Product; correction of installation problems (you are solely responsible for any structure and setting for the Product, including all electrical, plumbing or other connecting facilities, for proper foundation/flooring, and for any alterations including without limitation cabinetry, walls, floors, shelving, etc.); and resetting of breakers or fuses.

TO THE EXTENT ALLOWED BY LAW, THIS WARRANTY SETS OUT YOUR EXCLUSIVE REMEDIES WITH RESPECT TO PRODUCT, WHETHER THE CLAIM ARISES IN CONTRACT OR TORT (INCLUDING STRICT LIABILITY, OR NEGLIGENCE) OR OTHERWISE. THIS WARRANTY IS IN LIEU OF ALL OTHER WARRANTIES, WHETHER EXPRESS OR IMPLIED. ANY WARRANTY IMPLIED BY LAW, WHETHER FOR MERCHANTABILITY OR FITNESS FOR A PARTICULAR PURPOSE, OR OTHERWISE, SHALL BE EFFECTIVE ONLY FOR THE PERIOD THAT THIS EXPRESS LIMITED WARRANTY IS EFFECTIVE. IN NO EVENT WILL THE MANUFACTURER BE LIABLE FOR CONSEQUENTIAL, SPECIAL, INCIDENTAL, INDIRECT, "BUSINESS LOSS", AND/OR PUNITIVE DAMAGES, LOSSES, OR EXPENSES, INCLUDING WITHOUT LIMITATION TIME AWAY FROM WORK, HOTELS AND/OR RESTAURANT MEALS, REMODELLING EXPENSES IN EXCESS OF DIRECT DAMAGES WHICH ARE DEFINITELY CAUSED EXCLUSIVELY BY BSH, OR OTHERWISE. SOME STATES DO NOT ALLOW THE EXCLUSION OR LIMITATION OF INCIDENTAL OR CONSEQUENTIAL DAMAGES, AND SOME STATES DO NOT ALLOW LIMITATIONS ON HOW LONG AN IMPLIED WARRANTY LASTS, SO THE ABOVE LIMITATIONS MAY NOT APPLY TO YOU. THIS WARRANTY GIVES YOU SPECIFIC LEGAL RIGHTS, AND YOU MAY ALSO HAVE OTHER RIGHTS WHICH VARY FROM STATE TO STATE.

No attempt to alter, modify or amend this warranty shall be effective unless authorized in writing by an officer of BSH.

We reserve the right to make changes in the product or this manual without notification.

Concernant ce guide	1	Plat chaud	16
Sécurité	2	Rechauffer	16
Les premiers pas	4	Convection européenne.....	16
Pièces et accessoires	4	Au chaud	17
Tableaux de commande	4	Basse temper	17
Intérieur du four	5	Programmes pour légumes et poulet	17
Accessoires et intérieur	5		
Accessoires supplémentaires	5		
Avant la première utilisation	6	Comment obtenir des résultats	
Réservoir d'eau	6	optimaux	18
Avis relatifs au niveau de l'eau	6	Conseils généraux	18
Réglage du niveau de dureté de l'eau	7	Recommandations pour la cuisson	19
Réglage de l'horlog	7	Légumes	19
Étalonnage automatique	7	Légumes et accompagnements.....	20
Nettoyage avec le mode LA VAPEUR	7	Viande, volaille, poisson	20
Paramètres de base du four	8	Viande à cuisson lente.....	22
Comment ajuster les paramètres optionnels	8	Soufflés, plats en cocote, ajouts aux soupes.....	23
Fonctionnement	10	Desserts, compotes.....	23
Avant de commencer à cuisiner	10	Gâteaux et pâtisseries.....	23
Préchauffage du four	10	Réchauffage d'aliments.....	25
Positions de la grille.....	10	Décongélation	26
Réglage du mode.....	10	Fermentation du pain.....	26
Réglage de la température	11	Produits congelés	27
Modification des réglages du four	11	Aliments spéciaux	28
Mise hors champ du four	11	Nettoyage et entretien	29
Verrouillage du tableau	12	Nettoyage	29
Minuterie de cuisine	12	Produits nettoyants	30
Minuterie de four	12	Nettoyage à la vapeur	31
Minuteries multiples	13	Détartrage	31
Programmes automatiques pour les légumes		Nettoyage de la grille.....	32
et le poulet	14	Entretien	33
Modes du four à vapeur	15	Service	34
Réglage de la température selon le mode	15	Avant d'appeler le service à la clientèle	34
La Vapeur	15	Dépannage	34
Convection avec vapeur	15	Plaque signalétique	35
Décongélation	16	Information requise pour obtenir du service	35
Laisser lever.....	16	Garantie limitée du produit	36
		Service à la clientèle, accessoires	
		et pièces	verso

Cet appareil électroménager de BOSCH^{mc} est fait par
1901 Main Street, Suite 600
Irvine, CA 92614

Des questions?

1-800-944-2904

www.bosch-home.com/us

Nous attendons de vos nouvelles!

Concernant ce guide

Composition du manuel

Vous pouvez obtenir le maximum de votre nouvel appareil en lisant de la première à la dernière page le présent manuel. Ainsi, vous comprendrez bien le fonctionnement et les caractéristiques de votre appareil.

Le manuel se compose des sections suivantes :

- La section « Sécurité » fournit des renseignements sur la façon d'utiliser votre four en toute sécurité.
- La section « Les premiers pas » vous présente les différentes composantes et caractéristiques du four.
- La section « Fonctionnement » comprend des instructions pas à pas sur la façon d'utiliser votre four.
- Vous trouvez dans la section « Comment obtenir des résultats optimaux » une liste d'aliments courants, ainsi que des renseignements sur le mode de cuisson, la position de la grille et le temps de cuisson à utiliser. De nombreux conseils sur les plats de cuisson et la préparation des aliments sont également inclus dans cette section.
- La section « Nettoyage et entretien » contient des renseignements sur la façon de nettoyer et de procéder à l'entretien de plusieurs pièces du four.
- La section « Service » comprend la garantie ainsi que des conseils de dépannage pour trouver vous-même la solution à une série de problèmes potentiels.
- Portez une attention particulière aux consignes de sécurité importantes de la section « Sécurité ».

Définitions concernant la sécurité

▲ AVERTISSEMENT

Ceci indique que le non respect de cet avertissement peut entraîner des blessures graves, voire la mort.

▲ ATTENTION

Ceci indique que le non respect de cet avertissement peut entraîner des blessures légères ou modérées.

NOTICE : Ceci indique que la non-conformité à cet avis de sécurité peut entraîner des dégâts à l'appareil ou à la propriété.

Note : Ceci vous avertit que d'importantes informations et/ou conseils sont fournis.

Sécurité



CONSIGNES DE SÉCURITÉ IMPORTANTES LIRE ET CONSERVER CES CONSIGNES

Avant de commencer

INSTALLATEUR : Prière de laisser ces instructions d'installation avec cet appareil à l'intention du propriétaire.

PROPRIÉTAIRE : Prière de conserver ces instructions pour pouvoir s'y référer ultérieurement.

AVERTISSEMENT



RISQUE DE CHOC ÉLECTRIQUE

Débranchez l'appareil avant de procéder à son installation ou à son entretien. Avant d'allumer l'appareil, assurez-vous que toutes les commandes sont à la position hors champ. Le non-respect des présentes instructions peut entraîner la mort ou une décharge électrique.

Consignes de sécurité

Cet appareil est conçu pour une utilisation ménagère seulement. Cet appareil ne doit servir qu'à la préparation d'aliments.

Les adultes et les enfants ne doivent pas utiliser cet appareil sans surveillance...

- s'ils sont, pour des raisons physiques ou mentales, incapables de le faire;
- s'ils ne possèdent pas les connaissances ou l'expérience suffisante.

Ne permettez jamais à des enfants de jouer avec l'appareil.

Installation et entretien adéquats

Demandez à l'installateur de vous montrer l'emplacement du disjoncteur. Marquez-le pour qu'il soit facile à repérer.

L'appareil doit être convenablement installé et mis à la terre par un technicien qualifié. Ne branchez l'appareil qu'à une prise électrique convenablement mise à la terre. Consultez les instructions d'installation pour plus de détails.

Les codes locaux varient. L'installateur est responsable de veiller à ce que l'installation et la mise à la terre se fassent en conformité avec tous les codes en vigueur. Le fait de ne pas suivre les codes et règlements locaux appropriés peut annuler la garantie.

N'entreposez PAS et n'utilisez pas de gaz ou de produits chimiques, inflammables ou non alimentaires dans ou près de cet appareil. L'utilisation de produits corrosifs lorsque l'appareil chauffe ou lorsque vous le nettoyez peut endommager l'appareil et causer une blessure corporelle lorsque le four chauffe ou que vous le nettoyez.

N'utilisez PAS cet appareil s'il ne fonctionne pas correctement ou s'il a été endommagé. Communiquez avec une agence autorisée.

Ne bloquez PAS les ouvertures d'aération.

Ne réparez et ne remplacez aucune pièce de l'appareil à moins que le manuel ne recommande expressément de le faire. Confiez toutes les réparations à une agence autorisée du fabricant.

Risque de Brûlures!

De la vapeur chaude peut s'échapper de l'appareil lorsque la porte est ouverte. Ouvrez prudemment la porte de l'appareil lorsqu'il est en cours d'utilisation ou après.

Ne vous penchez pas au-dessus de la porte lorsque vous l'ouvrez. Assurez-vous, en tenant compte de la température intérieure, qu'il n'y a pas de vapeur de visible.

Ne nettoyez PAS l'appareil immédiatement après l'avoir éteint. L'eau de la cuve de l'évaporateur est encore chaude. Attendez que l'appareil ait refroidi.

Soyez prudent au moment d'ouvrir la porte de l'appareil. Tenez-vous sur le côté du four et entrouvrez lentement la porte pour laisser l'air chaud ou la vapeur s'échapper. Tenez votre visage loin de l'ouverture et assurez-vous qu'aucun enfant ou animal ne se trouve près de l'appareil. Une fois que l'air chaud ou la vapeur s'est échappé, continuez à cuisiner. Maintenez la porte du four fermée à moins que cela soit nécessaire pour manipuler les aliments ou nettoyer l'appareil. Ne laissez pas la porte du four ouverte sans surveillance.

Ne faites PAS chauffer des contenants de nourriture scellés. L'augmentation de la pression peut provoquer l'explosion du contenant et causer des blessures.

Placez toujours les grilles du four à la position désirée pendant que le four est froid.



CONSIGNES DE SÉCURITÉ IMPORTANTES

LIRE ET CONSERVER CES CONSIGNES

Ne préparez jamais d'aliments contenant de grandes quantités de boissons alcoolisées. La vapeur d'alcool peut prendre feu à l'intérieur de l'appareil. N'utilisez que de petites quantités de boissons à forte teneur en alcool et faites preuve de prudence lorsque vous ouvrez la porte de l'appareil.

La vapeur résultant de l'utilisation de maniques humides ou mouillées sur des surfaces chaudes peut provoquer des brûlures.

Les surfaces intérieures du four deviennent assez chaudes pour causer des brûlures. Pendant et après le fonctionnement du four, ne touchez pas les surfaces intérieures du four et ne permettez pas que vos vêtements, des maniques ou d'autres matières inflammables entrent en contact avec elles avant qu'elles n'aient eu le temps de refroidir. D'autres surfaces du four, comme les ouvertures d'aération, les zones entourant ces ouvertures et la porte du four, peuvent devenir assez chaudes pour causer des brûlures.

Les jeunes enfants doivent rester à une distance sécuritaire de l'appareil.

Risques d'incendie!

N'entreposez jamais d'articles combustibles dans le compartiment de cuisson.

N'enveloppez aucune pièce de la cuisinière ou du four dans du papier d'aluminium. L'utilisation de revêtement en aluminium peut causer une décharge électrique ou un incendie, ou encore obstruer la circulation de l'air de la combustion et de ventilation. Le papier d'aluminium est un excellent isolant et il retient la chaleur. Son utilisation a une incidence sur la cuisson et peut endommager le fini du four.

Si un feu se déclare à l'intérieur du four, gardez la porte fermée. Éteignez l'appareil et débranchez le circuit qui lui est attribué sur la boîte des disjoncteurs.

N'utilisez l'appareil que pour ce dont il a été conçu, comme décrit dans le présent manuel. Par exemple, n'utilisez jamais l'appareil pour chauffer une salle. **N'utilisez jamais l'appareil pour entreposer quoi que ce soit.**

Assurez-vous qu'il y a un détecteur de fumée fonctionnel près de la cuisine.

Si vos vêtements ou vos cheveux prennent feu, jetez-vous immédiatement au sol et roulez pour éteindre les flammes.

Étouffez les flammes provenant d'aliments en feu, autre que les feux de friture, avec du bicarbonate de soude. N'utilisez jamais de l'eau pour éteindre des aliments en feu.

Ayez un extincteur approprié à portée de la main, bien en vue et facile d'accès près de l'appareil de cuisson.

Causes de dommages

ATTENTION!

- Ne placez rien sur le plancher du compartiment de cuisson. Ne le couvrez pas avec du papier d'aluminium. Une augmentation de la chaleur peut endommager l'appareil.
- Le plancher du compartiment de cuisson et la cuve de l'évaporateur doivent toujours être dégagés.
- Si vous utilisez du papier d'aluminium dans le compartiment de cuisson, il ne doit jamais entrer en contact avec les parois ou la porte, ce qui pourrait causer la décoloration permanente du fini.
- Les plats de cuisson doivent résister à la chaleur et à la vapeur.
- Lorsque vous utilisez un plat de cuisson perforé pour cuisiner à la vapeur, insérez toujours un plat de cuisson en dessous.
- Si le joint de la porte est très sale, la porte ne se fermera plus convenablement pendant le fonctionnement de l'appareil, ce qui pourrait causer des dommages aux armoires ou appareils adjacents. Gardez toujours le joint de la porte propre et remplacez-le lorsqu'il le faut.
- Pour éviter d'endommager l'appareil, ne placez rien sur la porte du four lorsqu'elle est ouverte.
- Ne transportez pas et ne tenez pas l'appareil par la poignée de la porte. La poignée de la porte ne peut pas supporter le poids de l'appareil et se briser.

Le compartiment de cuisson de l'appareil est fait d'acier inoxydable de haute qualité. L'entretien inadéquat de l'appareil peut provoquer l'apparition de corrosion dans le compartiment de cuisson. Consultez les instructions de nettoyage et d'entretien du présent manuel. Enlevez les résidus d'aliments du compartiment de cuisson aussitôt que l'appareil a refroidi.

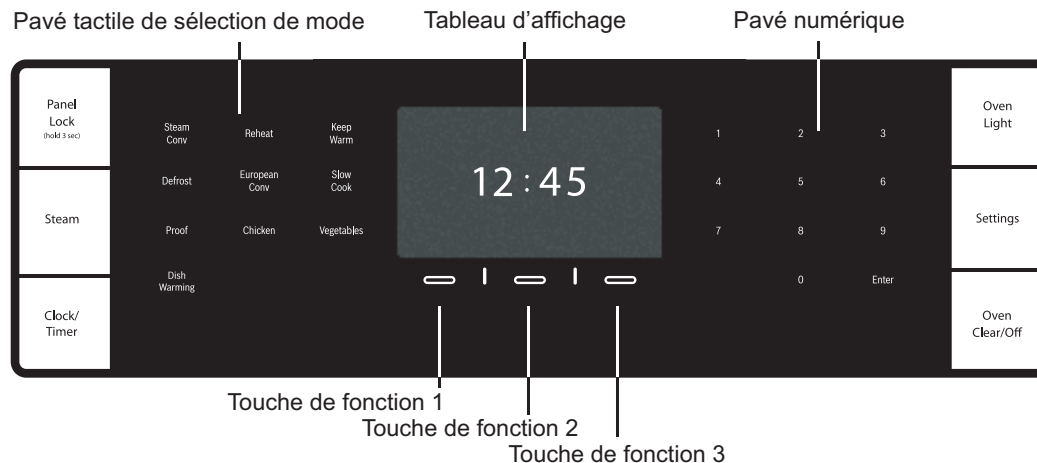
Avis de la proposition 65 de l'état de la Californie

Ce produit contient ou facilite l'émission d'un ou de plusieurs produits chimiques qui, selon l'État de la Californie, peuvent causer le cancer, des anomalies congénitales ou d'autres problèmes congénitaux.

Les premiers pas

Pièces et accessoires

Tableaux de commande

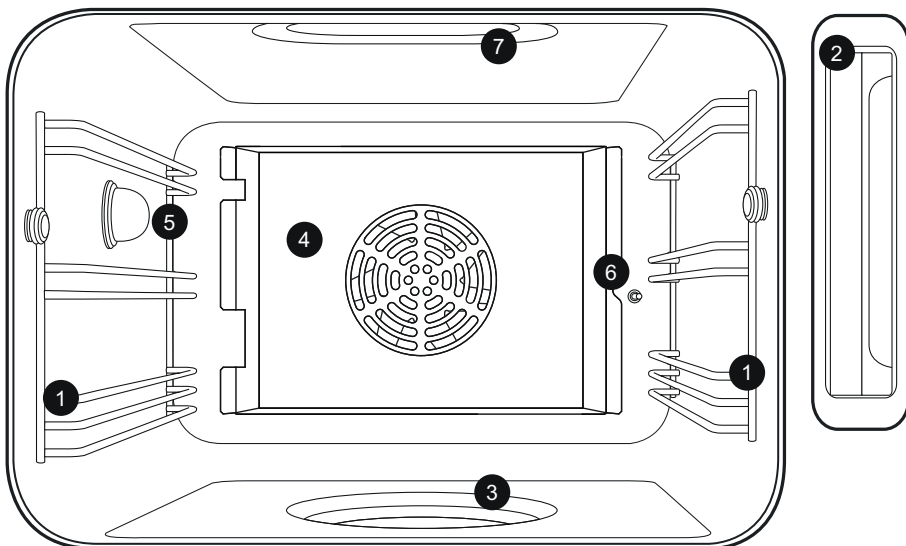


FONCTIONS	Il suffit d'appuyer légèrement sur les touches pour les faire fonctionner. Les touches ne fonctionnent pas si vous les actionnez plusieurs fois en même temps, comme quand vous les nettoyez.
Panel Lock (Verrouillage du tableau)	Appuyez pendant trois secondes sur cette touche pour verrouiller ou déverrouiller le tableau. Préviens la mise sous tension de l'appareil.
Clock/Timer (Horloge/Minuterie)	Sert à ajuster l'horloge et à programmer les minuteries.
Oven Light (Lampe du four)	Sert à allumer et éteindre la lumière du four.
Settings (Paramètres)	L'utilisateur peut se servir de cette touche pour programmer le four à vapeur selon ses préférences. La touche des paramètres ne peut être utilisée que lorsque l'appareil est en mode veille.
Oven Clear/Off (Mise hors champ du four)	Sert à éteindre le four.

MODE DE CUISSON	MODES DE FONCTIONNEMENT
La vapeur (Steam)	Idéal pour faire cuire les légumes, le poisson, les accompagnements, pour extraire le jus de fruits et pour blanchir.
Convection avec vapeur (Steam Conv)	Combine les modes de cuisson à la vapeur et par convection. Idéal pour faire cuire la viande, les soufflés et les produits de boulangerie.
Décongélation (Defrost)	Sert à décongeler les fruits, légumes, viandes et poissons avant de les faire cuire ou de les servir.
Laisser lever (Proof)	Sert à faire lever la pâte à pain et le levain.
Plat chaud (Dish Warming)	Sert à réchauffer les assiettes, bols et plats allant au four et à les garder chaudes.
Rechauffer (Reheat)	Idéal pour réchauffer des aliments cuits dans une assiette ou un plat allant au four.
Convection européenne (European Conv)	Fonctionne comme un four à convection, sans vapeur. Idéal pour faire cuire des gâteaux moelleux, des gâteaux éponges et des viandes braisées.
Au chaud (Keep Warm)	Idéal pour conserver à température de service des aliments cuits.
Basse Tempér (Slow Cook)	Idéal pour rôtir lentement des viandes pour qu'elles restent très tendres.
Poulet (Chicken)	Programme automatique pour la cuisson du poulet.
Légumes (Vegetables)	Programme automatique pour la cuisson de légumes.

Intérieur du four

1. Guides des grilles
2. Réservoir d'eau
3. Plat de l'évaporateur
4. Couvercle du dispositif de convection
5. Éclairage du four
6. Sonde de température du four
7. Évent d'aération de la vapeur



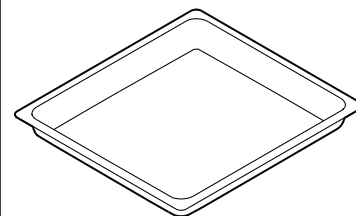
Accessoires et intérieur

Les accessoires suivants sont fournis avec l'appareil :

<p>Grille (CSRACKH) À utiliser comme support pendant la cuisson. Placez les viandes sur la grille avec la plat de cuisson en dessous et insérez les deux dans un niveau.</p>	
<p>Plat à cuisson perforé - pleine taille (CS2XLPH) Profondeur de 1 5/8 po Idéal pour cuire à l'étuvée du poisson ou une grande quantité de légumes, pour extraire le jus des baies et plus encore.</p>	
<p>Plat à cuisson perforé - pleine taille(CS2XLPH) Profondeur de 1 5/8 po Idéal pour cuire à l'étuvée du poisson ou une grande quantité de légumes, pour extraire le jus des baies et plus encore.</p>	
<p>Plat à cuisson perforé - pleine taille (CS1XLH) Profondeur de 1 5/8 po À utiliser pour des quantités plus petites et pour le riz et les céréales.</p>	

Plat de cuisson, pleine taille (CS2LH)

Profondeur de 1 5/8 po
Idéale pour la cuisson de gâteaux et pour recueillir les jus de cuisson lors de la cuisson à l'étuvée.



Accessoires supplémentaires

Les accessoires supplémentaires peuvent être achetés auprès www.bosch-home.com/us/store:

ACCESSOIRE	NUMÉRO
Plat de cuisson perforé, pleine taille, profondeur de 1 5/8 po	CS2XLPH
Plat de cuisson perforé, demi-taille, profondeur de 1 5/8 po	CS1XLPH
Plat de cuisson, pleine taille, profondeur de 1 5/8 po	CS2XLH
Plat de cuisson, demi-taille, profondeur de 1 5/8 po	CS1XLH
Plat de cuisson, pleine taille, profondeur de 1 5/8 po	CS2LH
Grille	CSRACKH
Poudre de détartage	00573828

Avant la première utilisation

- Un technicien qualifié doit procéder à l'installation adéquate de l'appareil avant que vous ne l'utilisiez pour la première fois.
- Enlevez tout le matériel d'emballage à l'intérieur et à l'extérieur du four.
- Essuyez l'appareil avec un chiffon propre et humide pendant qu'il est froid, puis séchez-le. L'appareil peut dégager certaines odeurs lors des premières utilisations; ces odeurs sont normales et disparaîtront avec le temps.
- Assurez-vous de lire et de comprendre toutes les consignes de sécurité et tous les renseignements apparaissant dans le manuel d'utilisation et d'entretien.
- Lisez les sections suivantes avant de faire fonctionner l'appareil :

Réservoir d'eau

Le réservoir d'eau se trouve sur le côté droit du four à vapeur. Il peut contenir 1,4 quart (1,3 L) d'eau. **Le réservoir d'eau ne peut pas être lavé dans un lave-vaisselle.**

Avis important concernant l'eau utilisée pour remplir le réservoir :

- Humectez le joint du couvercle de réservoir avec un peu d'eau avant de l'utiliser pour la première fois.
- Utilisez seulement de l'eau de robinet fraîche ou, si nécessaire, de l'eau ordinaire achetée non gazeuse pour remplir le réservoir d'eau.

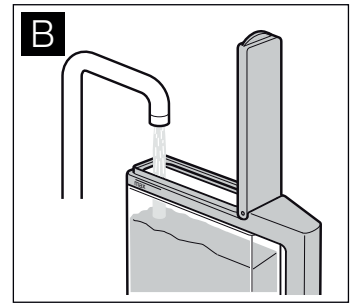
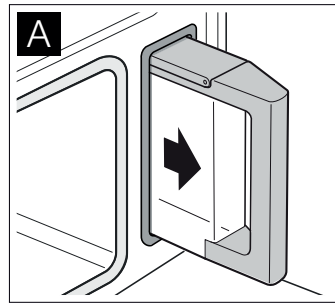
▲ ATTENTION

L'utilisation de liquides inappropriés peut endommager l'appareil! Ne pas remplir le réservoir d'eau avec de l'eau distillée ou avec tout autre liquide.

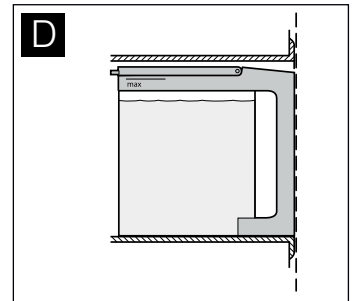
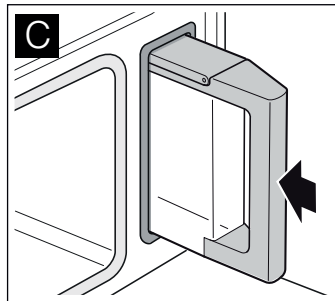
- Si votre eau est très dure (10 grains par gallon ou plus), nous recommandons l'utilisation d'eau adoucie.
- Si votre eau de robinet a une forte teneur en chlore (> 40 mg/L), utilisez de l'eau achetée non gazeuse à faible teneur en chlore.

Remplissez le réservoir d'eau avant chaque utilisation

1. Ouvrez la porte et retirez le réservoir d'eau (image A).
2. Humectez le joint du couvercle du réservoir avec un peu d'eau avant la première utilisation.
3. Remplissez le réservoir d'eau jusqu'au niveau "MAX" avec de l'eau froide (image B).



4. Fermez le couvercle de réservoir jusqu'à ce qu'il s'enclenche.
5. Insérez le réservoir d'eau complètement (image C).
6. Le réservoir d'eau doit être au même niveau que l'entonnoir du réservoir (image D).



VIDEZ LE RÉSERVOIR D'EAU APRÈS CHAQUE UTILISATION.

1. Maintenez le réservoir de niveau en le retirant lentement de l'appareil.
2. Videz l'eau.
3. Séchez complètement le joint du couvercle de réservoir et la fente où le réservoir s'insère dans l'appareil. Une humidité prolongée pourrait entraîner une odeur dans le réservoir.

Avertissements du capteur de niveau d'eau :

Le réservoir d'eau doit avoir suffisamment d'eau pour générer la vapeur requise pour le mode de cuisson et le temps que vous utilisez. Du fait que l'eau est convertie en vapeur, le niveau du réservoir baissera pendant la cuisson. Trois différents niveaux d'eau sont surveillés par le four :

AUCUN: Réservoir rempli

- Réservoir rempli, vous pouvez utiliser n'importe quel mode.
- Le four à vapeur peut fonctionner à 100% à la vapeur pendant 150 minutes sans que vous ayez besoin de remplir le réservoir d'eau.

WATER LEVEL IS LOW (Le niveau d'eau est bas) :

- Réservoir n'est ni rempli ni vide.

TANK IS EMPTY (Remplir le réservoir d'eau) :

Réservoir vide.

- Le mode de cuisson s'arrête jusqu'à ce que le réservoir d'eau ait été rempli ou que le four ait été éteint.
- Remplissez le réservoir d'eau pour utiliser un mode de cuisson.

Réglage de l'horlog

L'horloge ne peut être ajustée ou modifiée que lorsque l'appareil est en mode veille.

Comment ajuster l'horloge

1. Appuyez sur la touche **CLOCK/TIMER** sur le tableau de commande.
2. Entrez l'heure désirée à l'aide du pavé numérique.
3. Appuyez sur **AJUSTER HORLOGE (Touche de fonction 1)**.
4. Choisissez **AM** ou **PM** avec la touche de fonction appropriée.
 - Le tableau d'affichage passe de l'écran de veille à la nouvelle heure.

Pour les changements d'heure

Il est possible d'avancer ou de reculer l'horloge d'une heure en faisant ce qui suit :

1. Appuyez sur la touche **CLOCK/TIMER** du tableau de commande.
2. Appuyez sur la **TOUCHE DE FONCTION 2**.
3. Sélectionnez « **-1 HEURE** » (**Touche de fonction 1**) ou « **+1 HEURE** » (**Touche de fonction 3**).
 - Le tableau d'affichage retourne immédiatement au mode veille.

Réglage du niveau de dureté de l'eau

Vérifiez la dureté de l'eau au moyen des bandelettes de test fournies ou demandez à votre entreprise de service d'eau.

1. Sélectionnez la touche **SETTINGS** sur le tableau de commande.
2. Appuyez sur la **TOUCHE DE FONCTION 2** pour faire défiler les options jusqu'à **DURETÉ DE L'EAU**.
3. Appuyez sur **ENTER**.
4. À l'aide du PAVÉ NUMÉRIQUE, inscrivez le niveau de dureté de l'eau de votre maison. Le réglage usine est 3.
 - 1 = ADOUCIE (0 à 17 mg/L)
 - 2 = DOUCE (18 à 60 mg/L)
 - 3 = MOYENNE (61 à 120 mg/L)
 - 4 = DURE (121 à 180 mg/L)
 - 5 = TRÈS DURE (plus de 180 mg/L)
5. Appuyez sur **ENTER**.

À moins d'utiliser de l'eau adoucie, il vous faudra détartre le four à vapeur à intervalles réguliers (voyez "Détartage" dans la section "Soin et entretien").

Si vous déménagez ou si la source d'eau change, il vous faudra modifier la valeur de la dureté de l'eau.

Nettoyage avec le mode LA VAPEUR avant la première utilisation

Avant d'utiliser le four à vapeur pour la première fois, faites-le chauffer une fois quand il est vide :

1. Remplissez le réservoir d'eau et installez-le dans l'appareil. Fermez la porte du four.
2. Sélectionnez **VAPEUR** sur le tableau de commande.
3. Appuyez sur **ENTER**.
4. Appuyez sur la **TOUCHE DE FONCTION 2 (Minuterie de four)**.
5. À l'aide du pavé numérique, ajustez le temps de cuisson à 20 minutes (0:20, dans le format HH/MIN).
6. Appuyez sur **ENTER**.
 - Le four chauffera pendant 20 minutes avant de s'arrêter.
 - Un signal sonore indiquera la fin du cycle.
7. Appuyez sur **OVEN OFF/CLEAR** ou ouvrez la porte du four.
8. Laissez la porte entrouverte jusqu'à ce que le four ait refroidi. Consultez la section "Après l'utilisation du four" à la page 12.

Le nettoyage initial étalonnera également le four à vapeur selon la pression d'air de votre emplacement.

Étalonnage automatique

Le four à vapeur procède automatiquement au calibrage afin d'ajuster la pression propre à votre région lors de la première utilisation de vapeur à 212 °F (100 °C).

Étalonnage du four à vapeur

1. Sélectionnez la touche **SETTINGS** sur le tableau de commande.
2. Appuyez sur la **TOUCHE DE FONCTION 2** pour faire défiler les options jusqu'à **CALIBRAGE**.
3. Appuyez sur **ENTER**.
 - Les mots COMMENCER CYCLE clignotent à l'écran.
4. Sélectionnez OUI (**TOUCHE DE FONCTION 2**) pour confirmer. Sélectionnez NON (**TOUCHE DE FONCTION 3**) pour retourner au menu principal.
 - Le mot TERMINÉ clignote à l'écran.
5. Appuyez sur **ENTER**.

Réétalonnez l'appareil manuellement si jamais vous déménagez pour vous assurer que le four à vapeur s'ajuste

automatiquement à votre nouveau site. Le réétalonnage n'est pas nécessaire après une panne de courant.

Nettoyage des accessoires

Nettoyez les accessoires en profondeur avec de l'eau savonneuse et un chiffon avant de les utiliser. Rincez-les bien avant de les utiliser.

Paramètres de base du four

L'utilisateur peut se servir de la touche des paramètres (Settings) pour programmer l'appareil selon ses préférences. Plusieurs fonctions doivent être ajustées lors de l'installation du four ou après son déplacement à un nouvel emplacement. La touche des paramètres ne peut être utilisée que lorsque l'appareil est en mode veille. Si vous appuyez sur la touche des paramètres lorsque l'appareil n'est pas en mode veille, le tableau d'affichage émet un signal d'erreur.

Réglage des paramètres

1. Sélectionnez la touche **SETTINGS** sur le tableau de commande.
2. Appuyez sur la **TOUCHE DE FONCTION 2** pour voir les différentes options du menu. Le tableau suivant dresse la liste des paramètres disponibles ainsi que les options qui y sont associées.

DESCRIPTION DE LA FONCTION	OPTIONS
°F/°C (Unités de mesure de la température)	°F
	°C
Luminosité	Élev
	Méd
	Bas
Volume	Élev
	Méd
	Bas
	Désactivé
Horloge	12 h
	24 h
Horloge en mode veille	Activée
	Désactivé
Langue	Anglais
	Français
Unité de mesure du poids	lb
	kg
Service à la clientèle	Coordonnées seulement
Mode démo	Activé
	Désactivé
Nettoyage à la vapeur	Consultez la <i>page 31</i> .
Détartrage	Consultez la <i>page 31</i> .
Dureté de l'eau	Consultez la <i>page 7</i> .
Calibrer le four	Consultez la <i>page 7</i> .

3. Appuyez sur la **TOUCHE DE FONCTION 1** ou sur **ENTER** sur le tableau de commande pour modifier le paramètre apparaissant à l'écran.
4. Appuyez sur la **TOUCHE DE FONCTION 3** pour survoler les différentes options du menu secondaire.
5. Programmez l'option en appuyant sur la touche **ENTER** ou la **TOUCHE DE FONCTION 1** sur le tableau de commande.

Comment ajuster les paramètres optionnels

°F/°C (UNITÉS DE MESURE DE LA TEMPÉRATURE) :

Le paramètre des unités de mesure de la température permet à l'utilisateur de choisir entre les degrés Celsius ou Fahrenheit. La température par défaut est affichée en degrés Fahrenheit.

LUMINOSITÉ : Le paramètre de luminosité permet à l'utilisateur d'ajuster la luminosité du tableau d'affichage. Choisissez entre les différentes options pour ajuster le rétroéclairage de l'écran. La luminosité est réglée par défaut à la plus forte intensité.

VOLUME : Le paramètre du volume permet à l'utilisateur d'ajuster le volume des signaux sonores liés aux touches. Le volume est réglé par défaut à la plus forte intensité.

HORLOGE : Le paramètre de l'horloge permet à l'utilisateur d'afficher l'heure dans un format de 12 ou 24 heures. Le mode par défaut affiche l'heure dans le format 12 heures.

HORLOGE EN MODE VEILLE : Le paramètre de l'horloge en mode veille permet à l'utilisateur de désactiver l'horloge quand l'interface utilisateur passe en mode veille. Par défaut, l'horloge en mode veille est activée.

LANGUE : Le paramètre de la langue permet à l'utilisateur de choisir l'anglais ou le français comme langue d'affichage. La langue par défaut est l'anglais.

UNITÉ DE MESURE DU POIDS : Le paramètre de l'unité de mesure de permet à l'utilisateur de choisir entre les livres (lb) ou les kilogrammes (kg). La livre (lb) est l'unité de mesure du poids par défaut.

SERVICE À LA CLIENTÈLE Coordonnées du service technique si votre appareil a besoin de réparations. Comprend les renseignements suivants :

Visitez-nous au www.bosch-home.com/us

Ou appelez au 1-800-944-2904

MODE DÉMO : Le mode démo se compose de six images qui alternent à intervalles réguliers. Si l'une ou l'autre des touches est activée, l'interface utilisateur de la touche sélectionnée apparaît à l'écran.

Toutefois, aucun renseignement lié aux modes de cuisson n'est réellement transmis à l'appareil. Par conséquent, lors de l'utilisation de ce mode, le four ne chauffe pas, le préchauffage ne se termine jamais, l'autonettoyage ne commence pas, etc. Aussitôt que l'utilisateur reste 30 secondes sans toucher au tableau de commande, l'écran retourne aux images.

NETTOYAGE À LA VAPEUR : Vous pouvez utiliser la vapeur pour dissoudre les résidus et les éclaboussures d'aliments et ainsi faciliter leur nettoyage. Le cycle de nettoyage à la vapeur dure entre 30 et 35 minutes. Le four ne peut pas servir à autre chose pendant que le nettoyage à la vapeur est en cours. Des instructions détaillées sur le nettoyage à la vapeur sont fournies dans la section « *Nettoyage et entretien* » de la *page 29* du présent manuel. Le four ne peut pas servir à autre chose pendant que le nettoyage à la vapeur est en cours.

Le nettoyage à la vapeur du four se fait en trois étapes. Une fois que le processus de nettoyage à la vapeur est commencé, il ne peut être annulé. Pour veiller à ce qu'aucun produit de nettoyage ne reste à l'intérieur de l'appareil, le four ne peut pas fonctionner avant la fin des premier et deuxième cycles de rinçage.

DÉTARTRAGE : Procédez régulièrement au détartrage de l'appareil. Cela peut empêcher la détérioration de l'appareil. Un message apparaît automatiquement à l'écran de l'appareil lorsque vous devez procéder au détartrage.

Des instructions détaillées sur le détartrage de l'appareil sont fournies dans la section « *Nettoyage et entretien* » de la *page 29* du présent manuel. Le four ne peut pas servir à autre chose pendant que le processus de détartrage est en cours.

Le détartrage du four se fait par le biais de trois cycles différents. Une fois que le processus de détartrage est commencé, il ne peut être annulé. Pour veiller à ce qu'aucun produit de nettoyage ne reste à l'intérieur de l'appareil, le four ne peut pas fonctionner avant la fin des premier et deuxième cycles de rinçage.

Note :

Si vous utilisez de l'eau adoucie, vous n'avez pas besoin de procéder au détartrage de l'appareil.

DURETÉ DE L'EAU : La dureté de l'eau du robinet ou de l'eau embouteillée (**JAMAIS** l'eau distillée) que vous utilisez dans le réservoir d'eau devrait être déterminée et saisie avec ce réglage lorsque l'appareil est installé. Tel qu'expliqué à *page 7*, vous pouvez utiliser les bandes de dureté de l'eau ou contacter votre compagnie d'alimentation en eau locale pour vous renseigner sur la dureté de votre robinet d'eau.

Si vous déménagez ou si la source d'eau change, il vous faudra modifier la valeur de la dureté de l'eau.

CALIBRER LE FOUR : La température à laquelle l'eau va bouillir dépend de la pression de l'air. Plus l'altitude est élevée, plus la pression d'air et le point d'ébullition, seront basses. Le four à vapeur s'étalonne automatiquement selon les conditions de pression de votre zone la première fois que le four à vapeur est utilisé à 212 °F (100 °C).

Fonctionnement

Avant de commencer à cuisiner

Vous devez suivre des étapes semblables à celles décrites ci-dessus avec neuf des onze modes du four à vapeur. Les programmes automatiques CHICKEN (Poulet) et VEGETABLES (Légumes) fonctionnent de manière légèrement différente et sont décrits séparément à partir de la page 14.

Préchauffage du four

Placez les aliments dans le four à vapeur avant le préchauffage, à moins que vous utilisiez les modes GARDER CHAUD, BASSE TEMPER ou CONVECTION EUROPÉENNE. Avec les modes GARDER CHAUD, BASSE TEMPER et CONVECTION EUROPÉENNE, insérez les aliments dans le four une fois le préchauffage terminé.

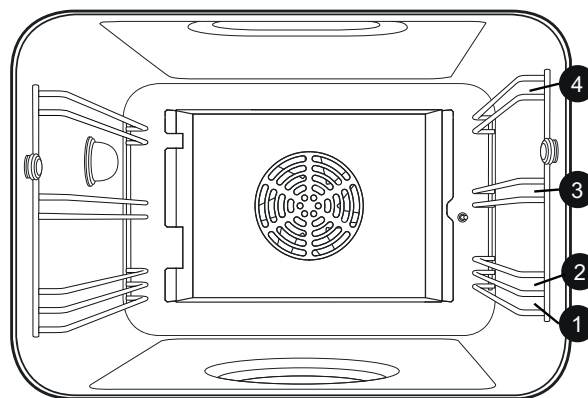
Les aliments doivent être insérés dans le four avant le préchauffage avec les modes utilisant de la vapeur, car si vous ouvrez la porte pour mettre les aliments dans le four après le cycle de préchauffage, la vapeur s'échappera de la cavité et la température baissera, ce qui pourrait faire en sorte que les aliments ne sont pas assez cuits.

▲ ATTENTION

Soyez prudent au moment d'ouvrir la porte de l'appareil. Tenez-vous sur le côté du four et entrouvrez lentement la porte pour laisser l'air chaud ou la vapeur s'échapper. Tenez votre visage loin de l'ouverture et assurez-vous qu'aucun enfant ou animal ne se trouve près de l'appareil. Une fois que l'air chaud ou la vapeur s'est échappé, continuez à cuisiner. Maintenez la porte du four fermée à moins que cela soit nécessaire pour manipuler les aliments ou nettoyer l'appareil. Ne laissez pas la porte du four ouverte sans surveillance.

Positions de la grille

La grille peut être installée à quatre niveaux différents dans l'appareil. Les niveaux sont numérotés de bas en haut, comme sur l'illustration ci-dessous.



Comment utiliser le four en choisissant d'abord le mode

1. Sélectionnez le mode de cuisson désiré.
 - Le tableau d'affichage passe à l'écran de sélection de mode et affiche le mode ainsi que la température par défaut. La température clignote, indiquant qu'il est possible de la modifier et que le mode n'a pas encore été lancé.
 - Le tableau d'affichage retourne au mode veille si aucun choix n'est fait en cinq secondes.
2. Utilisez les touches du pavé numérique pour ajuster la température.
 - Le tableau d'affichage passe à l'écran de sélection de température et le symbole « --x » clignote, où x représente la touche numérique sélectionnée.
 - Si la température apparaissant à l'écran ne fait pas partie des limites admissibles pour le mode choisi et que l'utilisateur appuie sur ENTER, un signal d'erreur sonne et la plage de température permise du mode est affichée sous la température choisie.
 - Il n'est pas possible de modifier la température avec les modes DÉCONGÉLATION, LAISSER LEVER, GARDER CHAUD et PLAT CHAUD, dont les températures sont préétablies. Lorsque l'un de ces modes est sélectionné, la température apparaît à l'écran.

3. Appuyez sur **ENTER**.

- Si vous n'appuyez pas sur ENTER après avoir choisi une température autre que celle par défaut, le four lance automatiquement le mode de cuisson à la température choisie après cinq secondes. Si aucune modification n'est apportée à la température par défaut, le tableau d'affichage retourne à l'écran de veille après cinq secondes.
- Le tableau d'affichage indique alors que le four est en mode de préchauffage.



Comment utiliser le four en réglant d'abord la température

1. Avec l'appareil en mode veille, utilisez les touches du pavé numérique pour entrer la température désirée.
 - Le tableau d'affichage passe à l'écran de sélection de mode et le symbole « --x » clignote, où x représente la touche numérique sélectionnée.
 - Le tableau d'affichage invite l'utilisateur à choisir un mode.
2. Sélectionnez le mode de cuisson désiré.
3. Appuyez sur **ENTER**.
 - Si la température apparaissant à l'écran ne fait pas partie des limites admissibles pour le mode choisi et que l'utilisateur appuie sur ENTER, un signal d'erreur sonne.
 - Pour les modes dont la température est préétablie (DÉCONGÉLATION, LAISSER LEVER, GARDER CHAUD, PLAT CHAUD), une fois que le signal d'erreur a sonné et que la température par défaut apparaît à l'écran, l'utilisateur peut lancer le mode en appuyant sur ENTER.
 - Le tableau d'affichage retourne au mode veille si aucun choix n'est fait en cinq secondes.
 - Une fois qu'un choix est fait, le tableau d'affichage indique que le préchauffage du four est en cours.

Comment modifier les réglages du four en fonctionnement

Comment changer le mode de cuisson pendant le fonctionnement

1. Choisissez le nouveau mode de cuisson désiré sur le pavé tactile.
 - Le mode en cours d'utilisation est immédiatement annulé et le mode édition apparaît à l'écran.
2. Appuyez sur **ENTER**.

Comment changer la température pendant le fonctionnement

1. Appuyez sur la touche du mode en cours d'utilisation.
 - Le mode en cours d'utilisation fonctionne toujours, mais le mode édition apparaît à l'écran.
2. Utilisez les touches du pavé numérique pour entrer la température désirée.
3. Appuyez sur **ENTER**.

Fonctionnement de la porte pendant un mode de cuisson

Si la porte est ouverte pendant un mode de cuisson à la vapeur, le ventilateur de refroidissement s'allume et s'éteint à cinq ou six reprises pour évacuer l'excédent de vapeur.

Si le four utilise un mode qui a recours au ventilateur à convection, celui-ci s'éteint automatiquement. Le mode se remet en marche aussitôt que la porte se referme.

Le tableau d'affichage invite l'utilisateur à choisir un mode.

Fonctionnement automatique du ventilateur de refroidissement

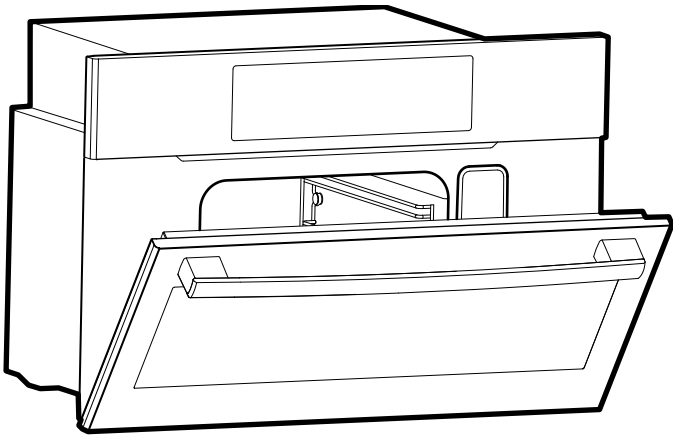
Le ventilateur de refroidissement se met immédiatement en marche chaque fois qu'un mode est sélectionné. Lorsqu'un mode de cuisson ayant recours à la vapeur est éteint (LA VAPEUR, CONVECTION AVEC VAPEUR, RÉCHAUFFAGE, etc.), le ventilateur de refroidissement reste allumé pendant dix minutes avant de s'éteindre, indépendamment de la température du four. Lorsqu'un mode de cuisson sans vapeur est désactivé, le ventilateur de refroidissement s'éteint lorsque la température du four tombe sous les 230 °F (110 °C).

Mise hors champ du four

1. Appuyez sur la touche **OVEN CLEAR/OFF** pour annuler le mode de cuisson et retourner à l'écran de veille.
 - La température et le mode disparaissent de l'écran. Le ventilateur de refroidissement continue de fonctionner.

Après l'utilisation du four

1. Après chaque utilisation, laissez la porte du four entrouverte jusqu'à ce que le four ait refroidi. Consultez l'illustration ci-dessous.



2. Une fois le four refroidi, utilisez une éponge de nettoyage pour enlever toute accumulation d'eau dans la cuve de l'évaporateur. Essuyez le four avec l'éponge de nettoyage et séchez-le ensuite avec un chiffon doux avant de fermer la porte.

IMPORTANT :

- Après chaque utilisation, essuyez la cavité du four et la cuve de l'évaporateur avec l'éponge fournie et séchez-le bien avec un chiffon doux.
- Enlevez les résidus et les éclaboussures de nourriture dès que l'appareil a refroidi. Les résidus brûlés sont très difficiles à enlever s'ils restent collés trop longtemps.
- Le sel est extrêmement abrasif et peut laisser des traces de rouille. La cavité du four à vapeur peut rouiller si elle n'est pas bien entretenue.

Verrouillage du tableau

La fonction de verrouillage du tableau (Panel Lock) est un mécanisme de sécurité qui empêche les enfants d'allumer accidentellement le four ou d'en modifier les réglages.

Vous pouvez activer la fonction de verrouillage du tableau seulement lorsque l'appareil est en mode veille. Si vous appuyez sur la touche de verrouillage du tableau lorsque l'appareil n'est pas en mode veille, le tableau d'affichage émet un signal d'erreur.

Comment activer le verrouillage du tableau

1. Appuyez pendant trois secondes sur la touche **PANEL LOCK** du pavé tactile (appuyez à nouveau pendant trois secondes pour le désactiver).
 - Les mots **TABLEAU BLOQUÉ** apparaissent à l'écran.

Réglage des minuteries

Minuterie de cuisine

Vous pouvez utiliser la minuterie de cuisine lorsque le four est en cours d'utilisation ou non. Cela n'a aucune incidence sur le chauffage du four.

Vous pouvez ajuster la minuterie de cuisine dans l'une ou l'autre des situations suivantes :

- un mode de cuisson ou de chauffage est en cours.
- l'appareil est en mode veille.

Comment ajuster la minuterie en mode veille

1. Appuyez sur la touche **CLOCK/TIMER** du tableau de commande.
2. Entrez à l'aide du pavé tactile numérique le temps désiré dans le format HH:MM.
3. Appuyez sur la **TOUCHE DE FONCTION 3 (Ajuster minuterie)**.
 - Une fois que la minuterie est activée, l'écran affiche le compte à rebours.
 - Lorsque la minuterie atteint zéro, l'écran affiche 0:00 et un signal d'alarme sonne toutes les dix secondes pendant deux minutes.
4. Une fois que le temps s'est écoulé, vous pouvez réinitialiser la minuterie en appuyant sur la **TOUCHE DE FONCTION 1 (Éteindre minuterie)** ou en ouvrant la porte.

Comment modifier la minuterie de cuisine

1. Appuyez sur la **TOUCHE DE FONCTION 3 (Modifier minuterie de cuisine)**.
2. Entrez à l'aide du pavé tactile numérique ou de la **TOUCHE DE FONCTION 1 (Annuler)** le nouveau temps pour annuler et fermer la minuterie.
3. Appuyez sur **ENTER**.

Minuterie de four

La minuterie de four sert à éteindre mécaniquement le four lorsque le temps de cuisson s'est écoulé. Le temps de fonctionnement maximal du four est de 11 heures et 59 minutes.

La minuterie peut être activée lorsque le four est en mode édition ou en cours d'utilisation. Les présentes instructions s'appliquent si vous avez déjà mis la nourriture dans le four et que vous avez choisi un mode et une température.

NOTE :

La minuterie de four n'est pas disponible avec les programmes automatiques pour poulet et légumes.

Comment régler la minuterie de four

1. Appuyez sur la **TOUCHE DE FONCTION 2 (Minuterie de four)**.
2. Entrez à l'aide du pavé tactile numérique le temps désiré dans le format HH:MM.
3. Appuyez sur **ENTER**.
 - Une fois que la minuterie est activée, l'écran affiche le compte à rebours.
 - Lorsque la minuterie atteint zéro, l'écran affiche 0:00 et un signal d'alarme sonne toutes les dix secondes pendant deux minutes.
4. Une fois le temps écoulé, vous pouvez réinitialiser la minuterie en appuyant sur la touche **OVEN CLEAR/OFF** ou en ouvrant la porte.

Comment modifier la minuterie de four

1. Appuyez sur la **TOUCHE DE FONCTION 2 (Modifier minuterie de four)**.
2. Entrez le nouveau temps avec le pavé tactile numérique.
3. Appuyez sur **ENTER**.

Minuteries multiples

Il est possible d'ajuster à la fois une minuterie de cuisine et une minuterie de four.

1. Ajustez et modifiez les minuteries individuellement en suivant les instructions antérieures.
 - Les deux minuteries sont affichées à l'écran.



Programmes automatiques LÉGUMES et POULET

ALIMENT	POIDS PAR DÉFAUT	POIDS MIN.	POIDS MAX.	ACCESSOIRES ET NIVEAUX DE GRILLE
LÉGUMES				
Attendez la fin de la cuisson avant d'assaisonner les légumes, y compris les pommes de terre.				
Fleurons de chou-fleur	1.0 lb. (0.4 kg)	0.2 lb. (0.1 kg)	4.5 lbs. (2 kg)	Plat de cuisson perforé (niveau 3) + plat de cuisson (niveau 1)
Fleurons de brocoli	1.0 lb. (0.4 kg)	0.2 lb. (0.1 kg)	4.5 lbs. (2 kg)	Plat de cuisson perforé (niveau 3) + plat de cuisson (niveau 1)
Haricots verts	1.0 lb. (0.4 kg)	0.2 lb. (0.1 kg)	4.5 lbs. (2 kg)	Plat de cuisson perforé (niveau 3) + plat de cuisson (niveau 1)
Asperges vertes (de taille égale)	1.0 lb. (0.4 kg)	0.2 lb. (0.1 kg)	4.5 lbs. (2 kg)	Plat de cuisson perforé (niveau 3) + plat de cuisson (niveau 1)
Mélange de légumes	1.0 lb. (0.4 kg)	0.2 lb. (0.1 kg)	4.5 lbs. (2 kg)	Plat de cuisson perforé (niveau 3) + plat de cuisson (niveau 1)
Pommes de terre sans peau	1.0 lb. (0.4 kg)	0.2 lb. (0.1 kg)	4.5 lbs. (2 kg)	Plat de cuisson perforé (niveau 3) + plat de cuisson (niveau 1)
Pommes de terre avec peau	1.0 lb. (0.4 kg)	0.2 lb. (0.1 kg)	4.5 lbs. (2 kg)	Plat de cuisson perforé (niveau 3) + plat de cuisson (niveau 1)

VOLAILLE

Pesez les morceaux individuels de poulet. Entrez le poids du morceau le plus lourd. **NE** superposez **PAS** les morceaux de poulet les uns sur les autres dans le plat de cuisson allant au four. Vous pouvez mariner les morceaux de poulet avant la cuisson.

Entier, poulet	3.5 lbs. (1.6 kg)	1.5 lbs. (0.7 kg)	4.6 lbs. (2.1 kg)	Grille + plat de cuisson (niveau 2)
Morceaux de poulet	0.25 lbs. (0.1 kg)	0.1 lbs. (0.04 kg)	0.75 lbs. (0.36 kg)	Grille + plat de cuisson (niveau 2)

Réglage du programme automatique

Comment choisir l'aliment

1. Choisissez **CHICKEN** ou **VEGETABLES** sur le tableau de commande.
 - Le tableau d'affichage dresse une liste d'aliments
2. Appuyez sur la **TOUCHE DE FONCTION 2 (Type d'aliment)** pour voir les différentes options du menu.
3. Appuyez sur la touche **ENTER** du tableau de commande pour sélectionner l'aliment désiré.
 - L'écran indique la position de grille (niveaux 1 à 3) et mentionne les accessoires ou plats que vous devriez utiliser.
4. Mettez la nourriture dans le four à vapeur à l'endroit indiqué.
5. Fermez la porte du four.

Comment choisir le poids

6. Utilisez les touches du pavé tactile pour modifier le poids de l'aliment que vous allez faire cuire.

— Il y a un réglage maximal et un réglage minimal pour chaque type d'aliment.

7. Appuyez sur **ENTER**.

- Le tableau d'affichage indique le temps de cuisson de l'aliment sélectionné.
- Le préchauffage du four commence.



Modes de cuisson à la vapeur

Réglage de la température selon le mode

Chaque mode permet le réglage de températures minimales et maximales. Le tableau suivant décrit les limites des plages de température de chaque mode :

MODE DE CUISSON	TEMP. MINIMUM	TEMP. MAXIMUM
LA VAPEUR	95°F (35°C)	210°F (99°C)
CONVECTION AVEC VAPEUR	250°F (121°C)	450°F (232°C)
DÉCONGÉLATION	110°F (43°C) only	
LAISSER LEVER	100°F (37°C) only	
PLAT CHAUD	125°F (51°C) only	
RÉCHAUFFAGE	210°F (99°C)	360°F (182°C)
CONVECTION EUROPÉENNE	95°F (35°C)	450°F (232°C)
GARDER CHAUD	140°F (60°C) only	
BASSE TEMPER	140°F (60°C)	250°F (121°C)
POULET	Programme automatique	
LÉGUMES	Programme automatique	

La Vapeur

Les avantages de la cuisson à la vapeur :

- **Presque aucune perte de nutriments** : Lorsque vous faites cuire à la vapeur, les aliments ne sont pas plongés dans l'eau, raison pour laquelle les vitamines et les minéraux ne s'en échappent pas. Des études ont démontré qu'un brocoli cuit à la vapeur, par exemple, contient 50 % plus de vitamine C qu'un brocoli bouilli.
- **Cuisine faible en gras** : Il est possible de faire cuire des aliments avec une faible quantité de gras ou, selon les goûts, sans aucun gras. Lorsque vous faites cuire de la viande à la vapeur, le gras se sépare de la viande et s'écoule dans le plat de cuisson.
- **Cuisson de viande** : Faites cuire une dinde de 14 lb en seulement 90 minutes en choisissant le mode de cuisson à la vapeur et convection. Vous obtiendrez une pièce de viande dorée à l'extérieur et juteuse à l'intérieur.
- **Aspect appétissant** : Avec la cuisson à la vapeur, les aliments conservent leur couleur naturelle. Les légumes cuits donnent l'impression de sortir du potager.

Vous devez à peine remuer ou tourner les aliments, ce qui signifie que même les poissons délicats gardent leur forme. Aussi, les aliments ne s'assèchent pas.

- **Plaisir goûteux** : Les aliments cuits à la vapeur conservent leurs saveurs naturelles et ne requièrent pratiquement pas de sel.
- **Préparation d'un menu** : La cuisson à la vapeur vous permet de préparer plusieurs éléments de votre menu en même temps sans que les différentes saveurs se mêlent.

Conseils pour la cuisson à la vapeur

- Vous pouvez faire cuire les aliments dont le temps de cuisson est semblable et ainsi économiser de l'énergie et du temps de nettoyage.
- Placez le plat de cuisson sous le plat perforé pour collecter les dépôts et résidus alimentaires.
- Assaisonnez les légumes après la cuisson à la vapeur.

Convection avec vapeur

Ce mode utilise une combinaison de vapeur et de convection pour faire cuire des aliments. Les rôtis sont croustillants à l'extérieur et juteux à l'intérieur grâce à la combinaison de la convection et de la vapeur. Les pâtisseries ont une belle surface brillante, mais ne sont pas sèches. Utilisez ce mode si vous souhaitez que les aliments que vous faites cuire soient tendres à l'intérieur et rôtis ou croustillants à l'extérieur.

Cette combinaison est particulièrement recommandable pour faire cuire de la viande, des produits de boulangerie et des pains mollets. La cuisson par vapeur et convection fonctionne exceptionnellement bien pour faire rôtir des légumes.

Conseils pour la cuisson par vapeur et convection

- Assurez-vous de ne pas trop assaisonner les viandes - les viandes rôties lentement se démarquent par leurs arômes et saveurs plus intenses.
- Pour les viandes et volailles, la température ne doit pas être réduite. Vous devriez utiliser les températures recommandées dans les recettes et les tableaux de cuisson pour viandes et volailles.
- Utilisez un thermomètre à viande pour vous assurer que l'intérieur de la viande est totalement cuit.

Décongélation

Utilisez la fonction de décongélation pour faire dégeler certains aliments, comme la viande, la volaille, les légumes, les pâtisseries, les gâteaux, le pain et les fruits.

Conseils pour la décongélation

- Lorsque vous faites dégeler de la volaille, placez-la sur la grille, au-dessus d'un plat à cuisson, ce qui l'empêche de baigner dans le liquide résultant de la décongélation.
- Tournez, remuez ou séparez les aliments à environ la moitié de la période de décongélation.
- **NE** recongelez **PAS** un aliment qui a été décongelé. Faites cuire les aliments immédiatement après leur décongélation.
- Faites dégeler les repas surgelés en suivant les instructions du fabricant.

Laisser lever

Le mode Laisser lever maintient l'environnement chaud et sans courant requis pour la fermentation de produits à base de levure.

Conseils pour la fermentation

- Laissez à la pâte le temps de dégeler si elle est congelée. Placez la pâte dans une assiette sans la couvrir hermétiquement.
- Il vaut mieux que le four soit froid au moment d'utiliser la fonction Laisser Lever.
- Utilisez n'importe quelle position de grille en fonction de la taille du bol ou de la casserole. La fermentation de la pâte est terminée lorsque celle-ci a doublé de volume.
- N'ouvrez pas inutilement la porte du four. Si vous ouvrez la porte du four, la température baissera et le temps de fermentation sera plus long. Utilisez plutôt la lampe du four pour voir à quel point la pâte a levé.

Plat chaud

Ce mode sert à réchauffer les assiettes, bols et plats allant au four et à les garder chauds.

Mettez les assiettes dans le four avant de le faire chauffer. **NE** mettez **PAS** des assiettes froides dans un four chaud, car le choc thermique pourrait faire en sorte que les assiettes se fissurent.

Rechauffer

Ce mode utilise la vapeur et l'air chaud pour réchauffer lentement les aliments. Grâce à la combinaison d'air et d'humidité, les aliments se réchauffent uniformément sans s'assécher. Les plats de résistance, ragoûts, accompagnements et restes sont chauffés à des températures de service sans compromettre la qualité des aliments.

Conseils pour le réchauffage

- Dans la mesure du possible, distribuez uniformément les aliments dans l'assiette.
- Vous n'avez pas à remuer les aliments pendant le préchauffage.
- Le temps de préchauffage varie en fonction des aliments, alors vérifiez-les occasionnellement pour éviter qu'ils cuisent trop.
- Lorsque vous réchauffez un plat d'aliments, vous n'avez pas à utiliser un couvercle.

Convection européenne

Avec ce mode, l'appareil fonctionne comme un four à convection, sans vapeur. Un élément chauffe derrière le compartiment de cuisson avec ce mode. Un ventilateur fait ensuite circuler uniformément l'air chaud autour des aliments. Vous pouvez faire cuire plusieurs plats d'aliments ou de grandes quantités de nourriture en même temps. Les aliments cuiront complètement sans que vous ayez à effectuer la rotation des plats.

La convection européenne convient très bien à la cuisson de pâtisseries sucrées et savoureuses, de rôtis et de nombreux gâteaux. Elle ne convient pas pour braiser de la viande.

Conseils pour la cuisson par convection

- Pour une efficacité optimale, chargez le four au maximum de sa capacité lorsqu'il est possible de le faire.
- Ne couvrez pas les aliments. Le fait de couvrir les aliments restreint le processus de cuisson.
- Préchauffez le four à moins d'indications contraires dans la recette.

Au chaud

Ce mode permet de garder les aliments cuits et à une température de service. Utilisez **TOUJOURS** des aliments chauds. **N'utilisez PAS** ce mode pour faire chauffer des aliments froids, à moins qu'il s'agisse de craquelins, de croustilles ou de céréales sèches. **N'utilisez PAS** ce mode pour faire cuire des aliments.

NOTES :

- Les aliments peuvent être gardés au chaud dans les plats de cuisson ou être transférés dans une assiette de service résistant à la chaleur.
- Laissez le four se préchauffer avant de mettre les aliments cuits et chauds à l'intérieur.
- Pour éviter de réduire la température du four, n'ouvrez pas inutilement la porte. Utilisez plutôt la lampe du four pour vérifier les aliments.

Basse temper

Le mode de cuisson lente est idéal pour faire cuire à point des pièces de viande tendres. La viande reste humide et tendre.

Conseils pour la cuisson lente

- Mettez le plat à cuisson dans le four et faites préchauffer le four en ayant recours au mode de cuisson lente. **Saisissez la viande de tous les côtés sur la surface de cuisson.** Placez la viande dans le four préchauffé et continuez la cuisson lente.

Programmes automatiques pour légumes et poulet

Le four à vapeur a deux programmes automatiques. Ces programmes sont regroupés sous les catégories « Chicken » et « Vegetables ». Ces deux programmes automatiques ajustent automatiquement les modes, les températures et les temps de cuisson en se fondant sur le poids qu'indique l'utilisateur. Les programmes automatiques permettent à l'utilisateur de préparer des plats rapidement et facilement. *Consultez la section « Programmes automatiques pour LÉGUMES et POULET » à la page 14.*

Comment obtenir des résultats optimaux

Conseils généraux

Préchauffage du four

- Placez la grille à la position désirée avant de faire préchauffer le four.
- Faites préchauffer le four lorsque vous utilisez les modes BASSE TEMPER, CONVECTION EUROPÉENNE ou GARDER CHAUD.
- Mettez les aliments dans le four à vapeur avant de le faire préchauffer avec les modes de cuisson à la vapeur. Les aliments doivent se trouver dans le four pendant le préchauffage avec les modes de cuisson à la vapeur. Si vous ouvrez la porte pour mettre les aliments dans le four après le cycle de préchauffage, la vapeur s'échappera de la cavité et la température baissera, ce qui pourrait faire en sorte que les aliments ne sont pas assez cuits.

▲ AVERTISSEMENT

N'enveloppez aucune pièce de la cuisinière ou du four dans du papier d'aluminium, particulièrement le plancher du four. Ces couches de protection peuvent causer des risques de décharge électrique ou d'incendie.

Plat de cuisson

Si vous utilisez des plats de cuisson, placez-les toujours au centre de la grille.

Les plats de cuisson doivent résister à la chaleur et à la vapeur. Plus un plat est épais, plus le temps de cuisson est long.

Utilisez du papier d'aluminium pour couvrir les aliments qui seraient normalement préparés dans un bain-marie (comme du chocolat que vous souhaitez faire fondre).

Distribuez uniformément les aliments

Distribuez toujours les aliments uniformément dans le plat. Si les aliments ne sont pas placés uniformément dans le plat, la cuisson ne sera pas uniforme.

Aliments délicats

N'empilez pas les aliments délicats trop hauts dans le plat de cuisson. Il vaut mieux utiliser deux plats dans ces cas.

Conversion de la cuisson traditionnelle à la cuisson par convection

La température de cuisson dans un four par convection, par opposition à celle utilisée dans un four traditionnel, peut être de 25 degrés plus bas, et le temps de cuisson environ 25 % plus rapide, ce qui vous permet d'économiser du temps et de réduire votre consommation énergétique.

Pour convertir la plupart des recettes des produits de boulangerie (biscuits, gâteaux, tartes, etc.), réduisez la température du four de 25 °F (14 °C). Pour les viandes et volailles, la température doit être la même. Vous devriez utiliser les températures recommandées dans les recettes et les tableaux de cuisson de viandes et volailles.

Cuisson d'un repas complet

Vous pouvez faire cuire un repas complet simultanément avec le mode de cuisson à la vapeur sans que les saveurs des différents aliments se mélangent. Placez les aliments dont le temps de cuisson est le plus long en premier dans le four et ajoutez les autres plats au moment opportun. Vous vous assurez ainsi que tous les aliments sont prêts en même temps.

Le temps de cuisson total est plus long lorsque vous faites cuire un repas complet, car chaque fois que vous ouvrez la porte du four, de la vapeur s'en échappe et l'appareil doit chaque fois atteindre la température nécessaire.

Tableaux et conseils de cuisson

Les conseils de cuisson suivants contiennent une sélection de plats que vous pouvez facilement préparer dans un four à vapeur. Vous y trouverez les modes, accessoires et temps de cuisson qui conviennent le mieux à un éventail de mets. À moins d'indications contraires, ces renseignements s'appliquent aux mets placés dans un four froid.

Pour la cuisson à la vapeur, le temps de cuisson se fonde sur la taille des pièces et non sur la quantité totale de nourriture. L'appareil permet la cuisson à la vapeur de 14 lb (6,4 kg) d'aliments.

Notez les tailles des aliments énumérés dans les tableaux. Le temps de cuisson est plus court pour les plus petits morceaux et plus long pour les plus gros morceaux. La qualité et l'âge des aliments ont également une incidence sur le temps de cuisson. Les valeurs indiquées ne servent que de lignes directrices.

Recommandations pour la cuisson

Légumes

Placez les légumes dans le plat de cuisson perforé et placez le plat au niveau de grille 3. Placez la plat de cuisson en dessous de la grille 1. La tôle recueillera tous les jus de cuisson.

ALIMENT	TAILLE	ACCESSOIRES	MODE DE CUISSON	TEMPÉRATURE	TEMPS DE CUISSON
Artichauts	Entier	Plat de cuisson perforé + plat de cuisson	Steam	210°F (99°C)	30 – 35 min.
Asperges*	Entier	Plat de cuisson perforé + plat de cuisson	Steam	210°F (99°C)	7 – 12 min.
Betteraves	Entier	Plat de cuisson perforé + plat de cuisson	Steam	210°F (99°C)	10 – 15 min.
Brocoli	Fleurons	Plat de cuisson perforé + plat de cuisson	Steam	210°F (99°C)	40 – 50 min.
Choux de Bruxelles	Fleurons	Plat de cuisson perforé + plat de cuisson	Steam	210°F (99°C)	8 – 10 min.
Chou	Finement coupé	Plat de cuisson perforé + plat de cuisson	Steam	210°F (99°C)	20 – 30 min.
Chou rouge	Finement coupé	Plat de cuisson perforé + plat de cuisson	Steam	210°F (99°C)	25 – 35 min.
Carottes	Tranches	Plat de cuisson perforé + plat de cuisson	Steam	210°F (99°C)	30 – 35 min.
Chou-fleur	Entier	Plat de cuisson perforé + plat de cuisson	Steam	210°F (99°C)	10 – 20 min.
Chou-fleur	Fleurons	Plat de cuisson perforé + plat de cuisson	Steam	210°F (99°C)	10 – 15 min.
Fenouil	Tranches	Plat de cuisson perforé + plat de cuisson	Steam	210°F (99°C)	30 – 40 min.
Asperges vertes	Entier	Plat de cuisson perforé + plat de cuisson	Steam	210°F (99°C)	10 – 14 min.
Haricots verts	–	Plat de cuisson perforé + plat de cuisson	Steam	210°F (99°C)	15 – 20 min.
Céleri-rave	Tranches	Plat de cuisson perforé + plat de cuisson	Steam	210°F (99°C)	15 – 20 min.
Poireaux	Tranches	Plat de cuisson perforé + plat de cuisson	Steam	210°F (99°C)	4 – 6 min.
Pois	–	Plat de cuisson perforé + plat de cuisson	Steam	210°F (99°C)	5 – 10 min.
Pois à écosser	–	Plat de cuisson perforé + plat de cuisson	Steam	210°F (99°C)	8 – 12 min.
Épinards*	–	Plat de cuisson perforé + plat de cuisson	Steam	210°F (99°C)	2 – 3 min.
Légumes farcis (courgettes, aubergines, poivrons)	NE FAITES PAS précuire les légumes	Plat de cuisson au niveau 2	Steam Conv	320 – 360°F (160 – 180°C)	15 – 30 min.
Bettes à cardes	Finement coupé	Plat de cuisson perforé + plat de cuisson	Steam	210°F (99°C)	8 – 10 min.
Courgettes	Tranches	Plat de cuisson perforé + plat de cuisson	Steam	210°F (99°C)	2 – 3 min.

* Préchauffez le four. Placez l'aliment dans le four avant le préchauffage à moins que vous n'utilisiez les modes Slow Cook (Cuisson lente) ou True Convection (Convection réelle).

Légumes et accompagnements

Ajoutez la quantité appropriée d'eau ou de liquide. Exemple : 1:1,5 = pour chaque 1/2 tasse.

ALIMENT	RATIO	ACCESSOIRES	MODE DE CUISSON	TEMPÉRATURE	TEMPS DE CUISSON
Pommes de terre (avec peau)	Taille moyenne	Plat de cuisson perforé (niveau 3) + plat de cuisson (niveau 1)	Steam	210°F (99°C)	35 – 45 min.
Pommes de terre (pelées)	En quartiers	Plat de cuisson perforé (niveau 3) + plat de cuisson (niveau 1)	Steam	210°F (99°C)	20 – 25 min.
Pommes de terre au gratin	–	Plat de cuisson (niveau 2)	Steam	210°F (99°C)	35 – 45 min.
Riz brun	1:2	Plat de cuisson	Steam	210°F (99°C)	30 – 40 min.
Riz à grains longs	1:2	Plat de cuisson	Steam	210°F (99°C)	20 – 30 min.
Riz basmati	1:1,5	Plat de cuisson	Steam	210°F (99°C)	20 – 30 min.
Lentilles	1:2	Plat de cuisson	Steam	210°F (99°C)	15 – 20 min.
Haricots canellini, précuits	1:2	Plat de cuisson	Steam	210°F (99°C)	30 – 45 min.
Couscous	1:1	Plat de cuisson	Steam	210°F (99°C)	65 – 75 min.
Dumplings	–	Plat de cuisson perforé (niveau 3) + plat de cuisson (niveau 1)	Steam	210°F (99°C)	6 – 10 min.
Pommes de terre (avec peau)	Taille moyenne	Plat de cuisson perforé (niveau 3) + plat de cuisson (niveau 1)	Steam	205°F (95°C)	20 – 25 min.

Viande, volaille, poisson

Insérez la grille et la plat de cuisson ensemble sur le même niveau de grille. Une fois que le rôti est cuit, laissez-le reposer dans le four à vapeur et convection pendant 10 minutes supplémentaires après avoir éteint le four.

L'utilisation du mode Steam Convection (Vapeur et convection) rend la viande particulièrement tendre et juteuse à l'intérieur tout en formant une croûte à l'extérieur.

ALIMENT	QUANTITÉ/ POIDS	ACCESSOIRES	MODE DE CUISSON	TEMPÉRATURE	TEMPS DE CUISSON
VOLAILLE					
Poulet, entier	2,65 lb (1,2 kg)	Grille + plat de cuisson (niveau 2)	Steam Conv	360 – 375°F (180 – 190°C)	50 – 60 min.
Poulet, moitié	par 1 lb (0,4 kg)	Grille + plat de cuisson (niveau 2)	Steam Conv	360 – 375°F (180 – 190°C)	35 – 45 min.
Poitrine de poulet	par 0,33 lb (0,15 kg)	Plat de cuisson perforé (niveau 3) + plat de cuisson (niveau 1)	Steam	210°F (99°C)	15 – 25 min.
Morceaux de poulet	par 2,65 lb (1,2 kg)	Grille + plat de cuisson (niveau 2)	Steam Conv	360 – 375°F (180 – 190°C)	20 – 35 min.
Canard, entier	4,5 lb (2 kg)	Grille + plat de cuisson (niveau 2)	Steam Conv / European Conv	340°F (170°C)/ 410°F (210°C)	60 – 80 min./ 15 – 20 min.
Poitrine de canard*	par 0,77 lb (0,35 kg)	Grille + plat de cuisson (niveau 2)	Steam Conv	360 – 375°F (180 – 190°C)	10 – 15 min.
Dinde, entière, sans farce	8 – 11 lb	Grille + plat de cuisson (niveau 2)	Steam Conv	325°F (165°C)	50 – 75 min.

* Faites saisir d'abord

** Utilisez le plat de cuisson de 1 5/8 po de profondeur (voyez Accessoires additionnels)

ALIMENT	QUANTITÉ/ POIDS	ACCESSOIRES	MODE DE CUISSON	TEMPÉRATURE	TEMPS DE CUISSON
Dinde, entière, sans farce**	12 – 14 lb	Grille + plat de cuisson (niveau 2)	Steam Conv	325°F (165°C)	80 – 95 min.
Poitrine de dinde	2 lb (1 kg)	Grille + plat de cuisson (niveau 2)	Steam Conv	300 – 320°F (150 – 160°C)	70 – 90 min.
Poulet, entier	2,65 lb (1,2 kg)	Grille + plat de cuisson (niveau 2)	Steam Conv	300 – 320°F (150 – 160°C)	60 – 80 min.

BOEUF

Bœuf braisé*	3,5 lb (1,5 kg)	Grille + plat de cuisson (niveau 2)	Reheat	285 – 300°F (140 – 150°C)	100 – 140 min.
Filets de bœuf, à point*	2 lb (1 kg)	Grille + plat de cuisson (niveau 2)	Reheat	340 – 360°F (170 – 180°C)	20 – 28 min.
Mince tranche de rosbif, à point*	2 lb (1 kg)	Grille + plat de cuisson (niveau 2)	European Conv	340 – 360°F (170 – 180°C)	40 – 55 min.
Tranche épaisse de surlonge, à point*	2 lb (1 kg)	Grille + plat de cuisson (niveau 2)	European Conv	340 – 360°F (170 – 180°C)	45 – 60 min.

VEAU

Veau, avec os	3,5 lb (1,5 kg)	Grille + plat de cuisson (niveau 2)	Steam Conv	320 – 360°F (160 – 180°C)	50 – 70 min.
Longe de veau	2 lb (1 kg)	Grille + plat de cuisson (niveau 2)	Steam Conv	320 – 360°F (160 – 180°C)	15 – 25 min.
Poitrine de veau, farcie	3,5 lb (1,5 kg)	Grille + plat de cuisson (niveau 2)	Steam Conv	285 – 320°F (140 – 160°C)	75 – 120 min.

PORC

Avec os, paré	3,5 lb (1,5 kg)	Grille + plat de cuisson (niveau 2)	Steam Conv	320 – 360°F (160 – 180°C)	50 – 70 min.
Avec os et couenne	3,5 lb (1,5 kg)	Grille + plat de cuisson (niveau 2)	Steam Conv	212°F (100°C)/ 285 – 320°F (140 – 160°C) 410 – 430°F (140 – 160°C)	20 – 25 min. 40 – 50 min. 20 min.
Côtelettes de porc, sans os*	1,2 lb (0,5 kg)	Grille + plat de cuisson (niveau 2)	Steam	285 – 320°F (140 – 160°C)	75 – 120 min.
Porc fumé sur l'os	2 lb (1 kg)	Grille + plat de cuisson (niveau 2)	Steam Conv	250 – 285°F (120 – 140°C)	60 – 70 min.
Côtes de porc	Tranches	Plat de cuisson (niveau 2)		212°F (100°C)	15 – 20 min.

AUTRES

Pain de viande	fait de 1,2 lb (0,5 kg) de viande hachée	Plat de cuisson (niveau 2)	Steam Conv	340 – 360°F (170 – 180°C)	45 – 60 min.
Gigot d'agneau avec os	3,5 lb (1,5 kg)	Grille + plat de cuisson (niveau 2)	Steam Conv	340 – 360°F (170 – 180°C)	60 – 80 min.
Longe d'agneau sur l'os*	3,5 lb (1,5 kg)	Grille + plat de cuisson (niveau 2)	Steam Conv	320 – 360°F (160 – 180°C)	15 – 25 min.
Saucisses	–	Plat de cuisson perforé (niveau 3) + plat de cuisson (niveau 1)	Steam	175 – 185°F (80 – 85°C)	12 – 18 min.

* Faites saisir d'abord

** Utilisez le plat de cuisson de 1 5/8 po de profondeur (voyez Accessoires additionnels)

ALIMENT	QUANTITÉ/ POIDS	ACCESSOIRES	MODE DE CUISSON	TEMPÉRATURE	TEMPS DE CUISSON
POISSON					
Entier	par 0,66 lb (0,3 kg)	Plat de cuisson perforé (niveau 3) + plat de cuisson (niveau 1)	Steam	175 – 195°F (80 – 90°C)	15 – 25 min.
Filets	par 3,5 lb (1,5 kg)	Plat de cuisson perforé (niveau 3) + plat de cuisson (niveau 1)	Steam	175 – 195°F (80 – 90°C)	10 – 20 min.
Truite, entière	par 0,5 lb (0,2 kg)	Plat de cuisson perforé (niveau 3) + plat de cuisson (niveau 1)	Steam	175 – 195°F (80 – 90°C)	12 – 15 min.
Filet de morue	par 0,33 lb (0,15 kg)	Plat de cuisson perforé (niveau 3) + plat de cuisson (niveau 1)	Steam	175 – 195°F (80 – 90°C)	10 – 14 min.
Filet de saumon	par 0,33 lb (0,15 kg)	Plat de cuisson perforé (niveau 3) + plat de cuisson (niveau 1)	Steam	210°F (99°C)	8 – 10 min.
Moules ou huîtres	0,33 lb (0,15 kg)	Plat de cuisson (niveau 2)	Steam	210°F (99°C)	10 – 15 min.
Filet d'aiglefin, de perchaude	par 0,5 lb (0,2 kg)	Plat de cuisson perforé (niveau 3) + plat de cuisson (niveau 1)	Steam	175 – 195°F (80 – 90°C)	10 – 20 min.
Rouleaux de sole, fourrés	–	Plat de cuisson perforé (niveau 3) + plat de cuisson (niveau 1)	Steam	175 – 195°F (80 – 90°C)	10 – 20 min.
Crevettes, grosses	par 1 lb (0,4 kg)	Plat de cuisson perforé (niveau 3) + plat de cuisson (niveau 1)	Steam	210°F (99°C)	8 – 13 min.
Crevettes, moyennes	par 1 lb (0,4 kg)	Plat de cuisson perforé (niveau 3) + plat de cuisson (niveau 1)	Steam	210°F (99°C)	5 – 8 min.

* Faites saisir d'abord

** Utilisez le plat de cuisson de 1 5/8 po de profondeur (voyez Accessoires additionnels)

Viande à cuisson lente

ALIMENT	QUANTITÉ/POIDS	ACCESSOIRES	TEMPÉRATURE	TEMPS DE CUISSON
Gigot d'agneau avec os	2 – 3,5 lb (1 – 1,5 kg)	Plat de cuisson (niveau 2)	175°F (80°C)	140 – 160 min.
Rosbif	3,5 – 5,5 lb (1,5 – 2,5 kg)	Plat de cuisson (niveau 2)	175°F (80°C)	150 – 180 min.
Filets de porc	–	Plat de cuisson (niveau 2)	175 – 195°F (80 – 90°C)	50 – 70 min.
Médallions de porc	–	Plat de cuisson (niveau 2)	175°F (80°C)	50 – 60 min.
Steaks de bœuf	environ ½ po d'épais- seur	Plat de cuisson (niveau 2)	175°F (80°C)	40 – 80 min.
Poitrine de canard	–	Plat de cuisson (niveau 2)	175°F (80°C)	35 – 55 min.

Soufflés, plats en cocote, ajouts aux soupes, etc.

ALIMENT	ACCESSOIRES	MODE DE CUISSON	TEMPÉRATURE	TEMPS DE CUISSON
Lasagne	Plat de cuisson (niveau 2)	Steam Conv	320 – 340°F (160 – 170°C)	35 – 45 min.
Soufflés	Plat à soufflé + plat de cuisson (niveau 2)	Steam Conv	360 – 390°F (180 – 200°C)	15 – 25 min.
Dumplings à la semoule	Plat de cuisson perforé (niveau 3) + plat de cuisson (niveau 1)	Steam	195°F (205°C)	7 – 10 min.

Desserts, compotes

Compote : Pesez le fruit, ajoutez environ 1/3 de la quantité d'eau et ajoutez du sucre et des épices au goût.

Pouding au riz : Mesurez le riz et ajoutez 2,5 fois plus de lait. Ajoutez le riz et le lait à une hauteur maximum de 1 pouce dans l'accessoire. Mélangez après la cuisson. Le lait restant sera absorbé rapidement.

Yogourt : Réchauffez le lait sur la cuisinière à 195 °F (90 °C). Retirez du feu et laissez refroidir à 105°F (40 °C). Le lait n'a pas à être réchauffé si vous utilisez du lait ultra haute température (UHT). Incorporez deux cuillères à thé de yogourt nature ou la quantité adéquate de levain à yogourt par 100 ml de lait.

Versez le mélange dans des pots de verre propres de 8 oz et fermez avec les couvercles. Placez les pots dans le four et faites cuire à la vapeur tel qu'indiqué ci-dessous. Après la préparation, placez les pots dans le réfrigérateur pendant la nuit.

ALIMENT	ACCESSOIRES	MODE DE CUISSON	TEMPÉRATURE	TEMPS DE CUISSON
Dumplings à la levure	Plat de cuisson	Steam	210°F (99°C)	20 – 25 min.
Sauce pâtissière aux œufs	Moule plus grille	Steam	195 – 205°F (90 – 95°C)	15 – 20 min.
Petits plats sucrés à cuire (comme du pouding au pain)	Plat allant au four + grille	Steam Conv	320 – 340°F (160 – 170°C)	50 – 60 min.
Riz au lait	Plat de cuisson	Steam	210°F (99°C)	25 – 35 min.
Yogourt	Pots de la taille d'une portion + grille	Steam	105°F (40°C)	300 – 360 min.
Compote de pommes	Plat de cuisson	Steam	210°F (99°C)	10 – 15 min.
Compote de poires	Plat de cuisson	Steam	210°F (99°C)	10 – 15 min.
Compote de cerises	Plat de cuisson	Steam	210°F (99°C)	10 – 15 min.
Compote de rhubarbe	Plat de cuisson	Steam	210°F (99°C)	10 – 15 min.
Compote de prunes	Plat de cuisson	Steam	210°F (99°C)	10 – 15 min.

Gâteaux et pâtisseries

Des tôles à pâtisserie en métal foncé sont recommandées. La température et le temps de cuisson varient selon la quantité et la consistance de la pâte. Les plages de températures sont fournies à cette fin dans les tableaux.

Commencez avec le réglage de température le plus bas. Cela vous permettra de dorer davantage au besoin. Utilisez un réglage plus élevé la prochaine fois, au besoin. **NE** remplissez **PAS** trop la grille ou la plat de cuisson.

ALIMENT	ACCESSOIRES	MODE DE CUISSON	TEMPÉRATURE	TEMPS DE CUISSON
GÂTEAUX DANS DES MOULES OU DES MOULES À CHARNIÈRE				
Gâteaux de Savoie	Moule à cheminée de 10 pouces (niveau 2)	European Conv	300 – 320°F (150 – 160°C)	60 – 70 min.
Flan ou gâteau éponge aux fruits délicat	Moule à charnière (niveau 2)	European Conv	300 – 320°F (150 – 160°C)	30 – 45 min.

ALIMENT	ACCESSOIRES	MODE DE CUISSON	TEMPÉRATURE	TEMPS DE CUISSON
Base de gâteau à éponge (2 œufs)	Anneau (niveau 2)	European Conv	300 – 320°F (150 – 160°C)	45 – 55 min.
Flan éponge (6 œufs)	Moule à charnière (niveau 2)	European Conv	360 – 375°F (180 – 175°C)	12 – 16 min.
Croûte feuilletée	Moule à charnière (niveau 2)	European Conv	300 – 320°F (150 – 160°C)	25 – 35 min.
Flan suisse	Moule à charnière (niveau 2)	European Conv	300 – 320°F (150 – 160°C)	40 – 50 min.
Savarin	Moule à savarin (niveau 2)	European Conv	360 – 375°F (180 – 175°C)	35 – 60 min.
Gâteaux aromatiques	Plat à quiche (niveau 2)	European Conv	300 – 320°F (150 – 160°C)	35 – 45 min.
Tartelette aux pommes	Moule pour gâteau à base de flan (niveau 2)	European Conv	360 – 375°F (180 – 175°C)	35 – 60 min.
Gâteaux de Savoie	Moule à cheminée de 10 pouces (niveau 2)	European Conv	340 – 375°F (170 – 190°C)	35 – 50 min.
GALETTES				
Gâteau de levure	Plat de cuisson (niveau 2)	Steam Conv / European Conv	300 – 320°F (150 – 160°C)/ 300 – 320°F (150 – 160°C)	35 – 45 min. 35 – 45 min.
Roulé suisse	Plat de cuisson (niveau 2)	European Conv	360 – 375°F (180 – 175°C)	10 – 15 min.
Pain tressé	Plat de cuisson (niveau 2)	Steam Conv	300 – 320°F (150 – 160°C)	25 – 35 min.
Strudel, sucré	Plat de cuisson (niveau 2)	Steam Conv	320 – 360°F (160 – 180°C)	40 – 60 min.
Gâteau de levure	Plat de cuisson (niveau 2)	Steam Conv	340 – 360°F (170 – 180°C)	30 – 40 min.
PAIN, PETITS, PAINS				
Pain blanc, 1,7 lb (0,75 kg) de farine	Plat de cuisson + papier sulfurisé (niveau 2)	Steam Conv / European Conv	390 – 410°F (200 – 212°C)/ 320 – 340°F (160 – 170°C)	15 – 20 min./ 20 – 25 min.
Pain au levain, 1,7 lb (0,75 kg) de farine	Plat de cuisson + papier sulfurisé (niveau 2)	Steam Conv / European Conv	390 – 410°F (200 – 212°C)/ 300 – 320°F (150 – 160°C)	15 – 20 min./ 40 – 60 min.
Pain multicéréales, 1,7 lb (0,75 kg) de farine	Plat de cuisson + papier sulfurisé (niveau 2)	Steam Conv / European Conv	390 – 430°F (200 – 220°C)/ 320 – 340°F (160 – 170°C)	15 – 20 min./ 25 – 40 min.
Pain à grains entiers, 1,7 lb (0,75 kg) de farine	Plat de cuisson + papier sulfurisé (niveau 2)	Steam Conv / European Conv	390 – 430°F (200 – 220°C)/ 285 – 300°F (140 – 150°C)	20 – 30 min./ 40 – 60 min.
Pain de seigle, 1,7 lb (0,75 kg) de farine	Plat de cuisson + papier sulfurisé (niveau 2)	Steam Conv / European Conv	390 – 430°F (200 – 220°C)/ 300 – 320°F (150 – 160°C)	20 – 30 min./ 50 – 60 min.
Petits pains, 0,15 lb (70 g) chacun, non cuits	Plat de cuisson + papier sulfurisé (niveau 2)	Steam Conv	375 – 390°F (190 – 200°C)	25 – 30 min.

ALIMENT	ACCESSOIRES	MODE DE CUISSON	TEMPÉRATURE	TEMPS DE CUISSON
Petits pains de pâte sucrée, 0,15 lb (70 g) chacun, non cuits	Plat de cuisson + papier sulfurisé (niveau 2)	Steam Conv	340 – 360°F (170 – 180°C)	20 – 30 min.
PETITS PRODUITS DE BOULANGERIE				
Biscuits aux brisures de chocolat	Tôle à biscuits + grille (niveau 3)	European Conv	325°F (163°C)	9 – 13 min.
Biscuits au sucre	Tôle à biscuits + grille (niveau 3)	European Conv	325°F (163°C)	7 – 10 min.
Meringue	Plat de cuisson (niveau 2)	European Conv	175 – 195°F (80 – 90°C)	120 – 180 min.
Macarons	Plat de cuisson (niveau 2)	European Conv	285 – 320°F (140 – 160°C)	15 – 25 min.
Pâte feuilletée	Plat de cuisson (niveau 2)	Steam Conv	340 – 375°F (170 – 190°C)	10 – 20 min.
Muffins	Moule à muffins (niveau 2)	European Conv	340 – 375°F (170 – 190°C)	20 – 30 min.
Pâte à choux, comme les choux à la crème	Plat de cuisson (niveau 2)	European Conv	340 – 375°F (170 – 190°C)	27 – 35 min.
Biscuits	Plat de cuisson (niveau 2)	European Conv	300 – 320°F (150 – 160°C)	12 – 17 min.
Gâteaux à pâte levée, comme un gâteau aux pommes	Plat de cuisson (niveau 2)	European Conv	300 – 320°F (150 – 160°C)	15 – 20 min.

Réchauffage des aliments

ALIMENT	ACCESSOIRES	MODE DE CUISSON	TEMPÉRATURE	TEMPS
Assiette plate	Grille (niveau 2)	Reheat	250°F (120°C)	12 – 18 min.
Légumes	Plat de cuisson (niveau 3)	Reheat	210°F (99°C)	12 – 15 min.
Nouilles, pommes de terre, riz	Plat de cuisson (niveau 3)	Reheat	210°F (99°C)	5 – 10 min.
Petits pains	Grille (niveau 2)	Steam Conv	340 – 360°F (170 – 180°C)	6 – 8 min.
Baguettes	Grille (niveau 2)	Steam Conv	340 – 360°F (170 – 180°C)	5 – 10 min.
Pain	Grille (niveau 2)	Steam Conv	340 – 360°F (170 – 180°C)	8 – 12 min.
Pizza	Grille + plat de cuisson (niveau 3)	Reheat	340 – 360°F (170 – 180°C)	12 – 15 min.

Décongélation

Congelez les aliments aussi plats que possible dans des portions appropriées à -0 F (-18 C). Ne congelez pas des portions trop grandes. Les aliments décongelés ne se gardent pas aussi longtemps et deviennent périmés plus vite que les aliments frais. Décongelez les aliments dans un sac de congélation sur une assiette ou dans le plat de cuisson perforé. Installez toujours le plat de cuisson sous le plat de cuisson perforé.

Ceci permet d'éviter aux aliments de tremper dans l'eau de décongélation et garde le four propre. Utilisez le mode Defrost (Décongeler). Au besoin, pendant que l'aliment se décongèle, séparez-le ou sortez les morceaux qui se sont déjà décongelés de l'appareil. Laissez les aliments reposer encore 5 à 15 minutes après leur décongélation pour s'assurer qu'ils sont à la température de la pièce.

▲ AVERTISSEMENT

Lorsque vous décongelez des viandes, assurez-vous de retirer le liquide de décongélation. Le liquide ne doit pas entrer en contact avec d'autres aliments. Des bactéries pourraient se transférer aux autres aliments. Une fois la décongélation des aliments terminée, faites réchauffer le four à vapeur au moyen du mode de convection européenne pendant 15 minutes à 360 °F (180 °C).

Décongélation de la viande : Décongelez les pièces de viande qui sont panées simplement pour que les assaisonnements et la chapelure adhèrent à la viande.

Décongélation de la volaille : Retirez la volaille de son emballage avant de la décongeler. Assurez-vous de vider tout liquide de décongélation.

ALIMENT	QUANTITÉ/POIDS	ACCESSOIRES	TEMPS DE CUISSON	ALIMENT
Poulet en morceaux, avec l'os	2 lbs. (1 kg)	Plat de cuisson perforé (niveau 3) + plat de cuisson (niveau 1)	115 – 120°F (45 – 50°C)	60 – 70 min.
Morceaux de poulet, désossés	1 lb. (0.4 kg)	Plat de cuisson perforé (niveau 3) + plat de cuisson (niveau 1)	115 – 120°F (45 – 50°C)	30 – 35 min.
Légumes congelés en bloc (comme des épinards)	1 lb. (0.4 kg)	Plat de cuisson perforé (niveau 3) + plat de cuisson (niveau 1)	115 – 120°F (45 – 50°C)	20 – 30 min.
Baies	0.66 lbs. (0.3 kg)	Plat de cuisson perforé (niveau 3) + plat de cuisson (niveau 1)	115 – 120°F (45 – 50°C)	5 – 8 min.
Filets de poisson	1 lb. (0.4 kg)	Plat de cuisson perforé (niveau 3) + plat de cuisson (niveau 1)	115 – 120°F (45 – 50°C)	15 – 20 min.
Boeuf	–	Plat de cuisson perforé (niveau 3) + plat de cuisson (niveau 1)	115 – 120°F (45 – 50°C)	70 – 80 min.

Fermentation du pain

La pâte lève plus rapidement en utilisant ce mode qu'à la température de la pièce.

Placez le bol avec la pâte à levain sur la grille. NE couvrez PAS la pâte.

ALIMENT	QUANTITÉ/POIDS	ACCESSOIRES	TEMPÉRATURE	TEMPS DE FERMENTATION
Pâte à levure	2 lbs. (1 kg)	Bol + grille	100°F (38°C)	20 – 30 min.
Levain	2 lbs. (1 kg)	Bol + grille	100°F (38°C)	20 – 30 min.

Produits congelés

Suivez les consignes du fabricant sur l'emballage. Les temps de cuisson spécifiés s'appliquent à des aliments placés dans un four froid.

ALIMENT	ACCESSOIRES	MODE DE CUISSON	TEMPÉRATURE	TEMPS DE CUISSON
Frites	Plat de cuisson + papier sulfurisé (niveau 2)	European Conv	340 – 375°F (170 – 190°C)	25 – 35 min.
Croquettes	Plat de cuisson + papier sulfurisé (niveau 2)	European Conv	360 – 390°F (180 – 200°C)	18 – 22 min.
Pommes de terre frites finement tranchées	Plat de cuisson + papier sulfurisé (niveau 2)	European Conv	360 – 390°F (180 – 200°C)	25 – 30 min.
Pâtes fraîches, réfrigérées**	Plat de cuisson + papier sulfurisé (niveau 2)	Steam	210°F (99°C)	5 – 10 min.
Lasagne, congelée	Plat de cuisson + grille (niveau 2)	Steam Conv	375 – 410°F (190 – 212°C)	35 – 55 min.
Pizza, pâte mince	Plat de cuisson + grille (niveau 2)	European Conv	360 – 390°F (180 – 200°C)	15 – 23 min.
Pizza, croûte épaisse	Plat de cuisson + grille (niveau 2)	European Conv	360 – 390°F (180 – 200°C)	18 – 25 min.
Pizza, pain français	Plat de cuisson + grille (niveau 2)	European Conv	360 – 390°F (180 – 200°C)	18 – 22 min.
Pizza froide	Plat de cuisson + papier sulfurisé (niveau 2)	European Conv	340 – 360°F (170 – 180°C)	12 – 17 min.
Baquettes avec beurre aux herbes, réfrigérées	Plat de cuisson (niveau 2)	European Conv	360 – 390°F (180 – 200°C)	15 – 20 min.
Bretzels, congelés	Plat de cuisson + papier sulfurisé (niveau 2)	European Conv	360 – 390°F (180 – 200°C)	18 – 22 min.
Petits pains ou baguettes cuits en partie, pré-cuits	Plat de cuisson + papier sulfurisé (niveau 2)	European Conv	300 – 340°F (150 – 170°C)	18 – 22 min.
Strudel, congelé	Plat de cuisson + papier sulfurisé (niveau 2)	Steam Conv	320 – 360°F (160 – 180°C)	45 – 60 min.
Bâtonnets de poisson	Plat de cuisson + papier sulfurisé (niveau 2)	European Conv	380 – 400°F (195 – 205°C)	20 – 24 min.
Poisson entier	Plat de cuisson perforé (niveau 3) + plat de cuisson (niveau 1)	Steam	175 – 210°F (80 – 99°C)	20 – 25 min.
Filets de poisson congelés	Plat de cuisson + grille (niveau 2)	Steam Conv	360 – 390°F (180 – 200°C)	35 – 50 min.
Filets de saumon	Plat de cuisson perforé (niveau 3) + plat de cuisson (niveau 1)	Steam	175 – 210°F (80 – 99°C)	20 – 25 min.
Brocoli	Plat de cuisson perforé (niveau 3) + plat de cuisson (niveau 1)	Steam	210°F (99°C)	4 – 6 min
Chou-fleur	Plat de cuisson perforé (niveau 3) + plat de cuisson (niveau 1)	Steam	210°F (99°C)	5 – 8 min.
Haricots verts	Plat de cuisson perforé (niveau 3) + plat de cuisson (niveau 1)	Steam	210°F (99°C)	4 – 6 min

*Ajoutez un peu de liquide.

ALIMENT	ACCESSOIRES	MODE DE CUISSON	TEMPÉRATURE	TEMPS DE CUISSON
Pois	Plat de cuisson perforé (niveau 3) + plat de cuisson (niveau 1)	Steam	210°F (99°C)	4 – 6 min
Carottes	Plat de cuisson perforé (niveau 3) + plat de cuisson (niveau 1)	Steam	210°F (99°C)	3 – 5 min.
Légumes mélangés	Plat de cuisson perforé (niveau 3) + plat de cuisson (niveau 1)	Steam	210°F (99°C)	4 – 8 min.
Choux de Bruxelles	Plat de cuisson perforé (niveau 3) + plat de cuisson (niveau 1)	Steam	210°F (99°C)	5 – 10 min.

*Ajoutez un peu de liquide.

Aliments spéciaux

ALIMENT	TAILLE	ACCESSOIRES	MODE DE CUISSON	TEMPÉRATURE	TEMPS DE CUISSON
Œufs mollets	Gros	Plat de cuisson perforé + (niveau 3) Plat de cuisson (niveau 1)	Steam	210°F (99°C)	9 – 11 min.
Œufs durs	Gros	Plat de cuisson perforé + plat de cuisson	Steam	210°F (99°C)	14 – 17 min.

Nettoyage et entretien

Nettoyage

AVIS :

- Nettoyez les résidus et dégâts d'aliments de la cavité immédiatement après que l'appareil soit refroidi. Les résidus brûlés sont très difficiles à enlever plus tard.
- Les sels sont très abrasifs et peuvent entraîner des taches de rouille. Nettoyez les résidus causés par des sauces épaisses (ketchup, moutarde) ou les aliments salés immédiatement après le refroidissement du four.

⚠ AVERTISSEMENT

RISQUES DE BRÛLURES – Attendez que l'appareil soit refroidi avant de nettoyer.

Conseils pour le nettoyage de l'appareil :

- Pour un entretien général, frottez l'acier inoxydable avec un linge trempé dans de l'eau savonneuse tiède. Frottez et séchez toujours l'acier inoxydable dans le sens du grain. Rincez en profondeur.
- Frottez toujours les métaux dans le sens des lignes de polissage pour maximiser l'efficacité du produit et éviter d'égratigner la surface.
- N'utilisez que des chiffons, éponges, essuie-tout et brosses fibreuses doux pour nettoyer et récurer, conformément aux recommandations du tableau de la page 30.
- **N'utilisez PAS** de produits abrasifs, comme des laines d'acier.
- **N'utilisez PAS** d'éponges en cellulose. Certaines éponges sont traitées avec du sel et peuvent causer de la corrosion en laissant des dépôts de sel sur le métal.
- **NE** laissez **PAS** les produits nettoyants rester en contact avec l'acier inoxydable durant de longues périodes.
- **N'UTILISEZ PAS DE PRODUITS NETTOYANTS À BASE DE CHLORE.**
- Pour enlever les traces de doigt et ajouter du brillant, utilisez un produit nettoyant pour acier inoxydable. Vous pouvez vous procurer en ligne le produit pour acier inoxydable de Bosch (É.-U. seulement) au www.bosch-eshop.us (numéro de produit : 00576696).
- Pour éviter les taches d'eau, séchez toujours l'appareil immédiatement après l'avoir nettoyé.

IMPORTANT :

- **N'utilisez jamais de produits abrasifs pour nettoyer le four à vapeur.**
- **Retirez toutes les traces de produits nettoyants utilisés dans le four à vapeur en suivant attentivement toutes les consignes pour l'essuyage du four et l'exécution des cycles de rinçage. Les résidus de nettoyage peuvent adhérer au verre de la porte du four. Ils peuvent également avoir un effet néfaste sur la saveur des aliments cuits dans le four à vapeur.**
- **N'utilisez jamais de laine d'acier ou de tampon abrasif pour nettoyer le four à vapeur. La cavité du four peut rouiller si elle ne fait pas l'objet d'un entretien adéquat.**

Éponge de nettoyage

Utilisez l'éponge de nettoyage pour enlever toute eau qui demeure dans le plat évaporateur. Essuyez le four avec l'éponge de nettoyage et séchez par la suite avec un chiffon doux.

L'éponge de nettoyage fournie est très absorbante. Utilisez exclusivement l'éponge de nettoyage pour nettoyer la cavité du four et pour enlever toute eau restante dans le plat évaporateur.

Lavez l'éponge de nettoyage en profondeur après sa première utilisation. L'éponge de nettoyage peut être lavée au lave-vaisselle.

Produits de nettoyage

Extérieur de l'appareil Garniture frontale en acier inoxydable; poignée de la porte.	<p>Eau savonneuse Enlevez toujours les taches de dépôts calcaires, de graisse, d'huile, de dépôts d'amidon et de blancs d'œuf dès que l'appareil a refroidi.</p> <p>Des produits nettoyants pour acier inoxydable sont disponibles par le biais du service à la clientèle ou dans des magasins de détail.</p> <p>N'utilisez pas de produits nettoyants abrasifs ou corrosifs; ces produits peuvent égratigner la surface. Si l'un de ces produits est utilisé avec le four, nettoyez-le immédiatement avec un chiffon humide.</p>
Tableau de commande	<p>Pour éviter d'endommager le tableau de commande, n'utilisez pas de produits nettoyants abrasifs, de laines d'acier, de chiffons à la texture granuleuse ou d'essuie-tout abrasifs.</p> <p>Appliquez le nettoyant pour verre dans un chiffon doux ou une éponge, et non directement sur le tableau.</p>
Intérieur du four	<p>Eau chaude savonneuse ou solution d'eau et de vinaigre.</p> <p>Utilisez l'éponge de nettoyage fournie ou une brosse de lavage de vaisselle douce.</p> <p>AVIS : N'UTILISEZ JAMAIS DE LAINES D'ACIER OU D'ÉPONGES ABRASIVES. La cavité du four peut rouiller.</p> <p>Si la cavité est très sale, utilisez un produit nettoyant tout usage, comme Simple Green. Suivez les instructions de l'emballage. Vaporisez les souillures, laissez le produit agir pendant 15-30 minutes, puis essuyez toute la cavité avec des essuie-tout ou un chiffon. Lancez un cycle de nettoyage à la vapeur de façon à rincer la cavité en profondeur.</p> <p>AVIS : Ne laissez pas le produit nettoyant entrer en contact avec la lumière, l'ampoule ou les joints de la porte.</p>
Cuve de l'évaporateur	Eau chaude savonneuse ou solution d'eau et de vinaigre.
Joint d'étanchéité externe du four	Eau chaude savonneuse.
Réservoir d'eau	Eau chaude savonneuse. NE LAVEZ PAS AU LAVE-VAISSELLE!
Rainure du réservoir.	Séchez après chaque utilisation.
Joint du couvercle	Séchez bien après chaque utilisation.
Supports de la grille	Utilisez de l'eau chaude savonneuse ou lavez au lave-vaisselle.
Verre de la porte	Nettoyant pour verre.
Accessoires	<p>Faites tremper dans de l'eau chaude savonneuse. Nettoyez avec une brosse ou une éponge ou lavez au lave-vaisselle.</p> <p>Utilisez une solution d'eau et de vinaigre pour les taches ou décolorations causées par les aliments riches en amidon (comme le riz).</p>

Nettoyage à la vapeur

Le nettoyage à la vapeur aide à dissoudre les résidus et les éclaboussures d'aliments dans le four de façon à ce qu'ils soient faciles à nettoyer. Le nettoyage à la vapeur se fait en deux étapes : une phase de nettoyage et un cycle de rinçage. Le processus complet dure entre 30 et 35 minutes.

Vous pouvez procéder au nettoyage à la vapeur seulement quand le four est hors circuit et qu'il est froid.

IMPORTANT :

Le nettoyage à la vapeur du four se fait en trois étapes. Une fois que le processus de nettoyage à la vapeur est commencé, il ne peut être annulé. Pour veiller à ce qu'aucun produit de nettoyage ne reste à l'intérieur de l'appareil, le four ne peut pas fonctionner avant la fin des cycles de rinçage.

NOTE :

Si la porte est ouverte pendant 30 secondes pendant le nettoyage à la vapeur, le mode est mis en attente et le compte à rebours est suspendu. Lorsque la porte se referme, le mode reprend et le compte à rebours continue. Si la porte reste ouverte plus de 30 secondes, le processus est annulé et le nettoyage à la vapeur doit recommencer.

Phase de nettoyage (cycle 1, environ 30 minutes)

1. Laissez refroidir le four et enlevez tous les accessoires.
2. Nettoyez la cuve de l'évaporateur avec une éponge de nettoyage.
3. Remplissez le réservoir d'eau jusqu'à la ligne MAX puis remettez-le dans l'appareil.
4. Versez une goutte de détergent à lave-vaisselle dans la cuve de l'évaporateur.
5. Fermez la porte du four.
6. Sélectionnez **SETTINGS** sur le tableau de commande.
7. Naviguez jusqu'à **NETTOYAGE À LA VAPEUR**.
8. Sélectionnez **ENTER**
9. Appuyez sur **OUI** pour commencer le nettoyage à la vapeur.
 - Les mots **NETTOYAGE À LA VAPEUR** apparaîtront à l'écran avec une minuterie de 30 minutes. Le compte à rebours commencera.
 - Si la porte est ouverte pendant moins de 30 secondes, le mode est mis en attente et le compte à rebours est suspendu. Lorsque la porte se referme, le mode reprend et le compte à rebours continue.
 - Si la porte reste ouverte plus de 30 secondes, le cycle de nettoyage à la vapeur doit être lancé à nouveau.

À l'issue de la phase de nettoyage, le compte à rebours est suspendu et un signal sonore se fait entendre. Le tableau d'affichage invite l'utilisateur à remplir le réservoir d'eau.

N'appuyez PAS sur ENTER avant d'avoir suivi les instructions ci-dessous :

Phase de rinçage (cycle 2, environ 20 secondes)

10. Remplissez le réservoir d'eau et remettez-le en place.
 - Si le réservoir d'eau n'est pas rempli lorsque vous appuyez sur la touche ENTER, l'appareil ne tient pas compte de la commande. Le cycle de rinçage ne peut se faire que si le réservoir est rempli.
11. Retirez les rails de la grille du four et nettoyez les résidus d'aliments qui y sont collés (*consultez la section « Nettoyage des grilles » à la page 32*).
12. Nettoyez les résidus d'aliments qui se trouvent dans le four et dans la cuve de l'évaporateur avec une éponge de nettoyage, puis nettoyez l'éponge en profondeur.
13. Appuyez sur **ENTER** pour lancer le cycle de rinçage.
 - L'écran affiche **NETTOYAGE À LA VAPEUR**. Le compte à rebours prend fin et après environ 20 secondes un signal sonore annonce la fin du cycle de nettoyage à la vapeur.
 - L'écran affiche **NETTOYAGE NETTOYER CUVE**.
14. Enlevez toute accumulation d'eau dans la cuve de l'évaporateur avec une éponge de nettoyage. Essayez le four. Rincez l'éponge de nettoyage en profondeur.
15. Séchez la cavité du four avec un chiffon doux.
16. Appuyez sur **ENTER**.

Détartrage

À moins que vous utilisiez de l'eau adoucie, procédez régulièrement au détartrage de l'appareil. Le détartrage se compose de différentes étapes : une phase de détartrage et un cycle de rinçage, pour un temps total de 30 à 35 minutes.

Si le nombre d'heures de fonctionnement maximal avant qu'un détartrage ne soit requis est dépassé, le message « Détartrage requis » apparaît à l'écran chaque fois qu'un mode de cuisson est sélectionné. Appuyez sur ENTER pour continuer. Une fois le processus de détartrage terminé, le compteur est réinitialisé et le message disparaît de l'écran.

Vous pouvez procéder au détartrage de l'appareil seulement quand le four est hors circuit et qu'il est totalement froid.

IMPORTANT :

Le détartrage du four se fait en deux étapes. Une fois que le processus de détartrage est commencé, il ne peut être annulé. Pour veiller à ce qu'aucun produit de nettoyage ne reste à l'intérieur de l'appareil, le four ne peut pas fonctionner avant la fin de rinçage.

NOTE :

Si la porte est ouverte pendant moins d'une minute pendant le détartrage, le mode est mis en attente et le compte à rebours est suspendu. Lorsque la porte se referme, le mode reprend et le compte à rebours continue. Si la porte reste ouverte plus de 30 secondes, le processus est annulé et le cycle de détartrage doit recommencer.

Phase de détartrage (cycle 1, environ 30 minutes)

1. N'utilisez que le produit de détartrage recommandé pour ce four (numéro de produit BSH : 00573828).
 - Procurez-vous ce produit auprès de votre détaillant ou sur notre boutique en ligne au www.boschhome.com/us/store.
2. Mélangez la solution de détartrage selon les instructions de l'emballage.
3. Videz le réservoir d'eau et remplissez-le avec la solution de détartrage. Remettez le réservoir d'eau en place.
4. Sélectionnez **SETTINGS** sur le tableau de commande.
5. Naviguez jusqu'à **DÉTARTRAGE**.
6. Appuyez sur **ENTER**.
7. Appuyez sur **OUI** pour commencer le détartrage.
 - Les mots **DÉTARTRAGE** apparaîtront à l'écran avec une minuterie de 30 minutes. Le compte à rebours commencera.

À l'issue de la phase de détartrage, le compte à rebours est suspendu et un signal sonore se fait entendre. Le tableau d'affichage invite l'utilisateur à remplir le réservoir d'eau et à appuyer sur la touche ENTER pour continuer.

N'appuyez PAS sur ENTER avant d'avoir suivi les instructions ci-dessous :

Phase de rinçage (cycle 2, environ 20 secondes)

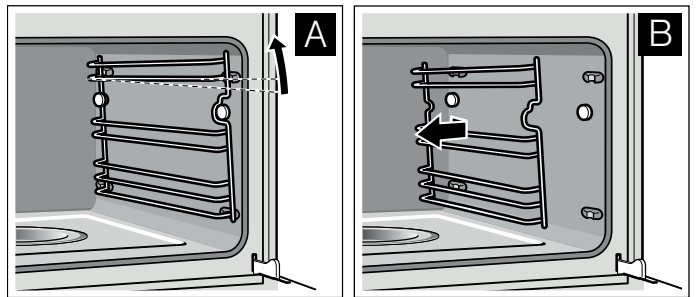
8. Retirez le réservoir d'eau et nettoyez-le en profondeur. Remplissez-le d'eau et remettez-le en place.
 - Si le réservoir d'eau n'est pas rempli lorsque vous appuyez sur la touche ENTER, l'appareil ne tient pas compte de la commande. Le cycle de rinçage ne peut se faire que si le réservoir est rempli.
9. Enlevez toute accumulation d'eau dans la cuve de l'évaporateur avec une éponge de nettoyage. Essuyez le four. Rincez l'éponge de nettoyage en profondeur.
10. Appuyez sur **ENTER** pour lancer le premier cycle de rinçage.
 - L'écran affiche DÉTARTRAGE. Le compte à rebours prend fin et, peu après (environ 20 secondes), un signal sonore annonce la fin du rinçage.

11. Après 20 secondes, un signal sonore annonce la fin du cycle de rinçage.
12. Enlevez toute accumulation d'eau dans la cuve de l'évaporateur avec une éponge de nettoyage. Essuyez le four. Rincez l'éponge de nettoyage en profondeur.
13. Séchez la cavité du four avec un chiffon doux.
14. Appuyez sur **ENTER**.

Nettoyage des grilles

Retrait des grilles

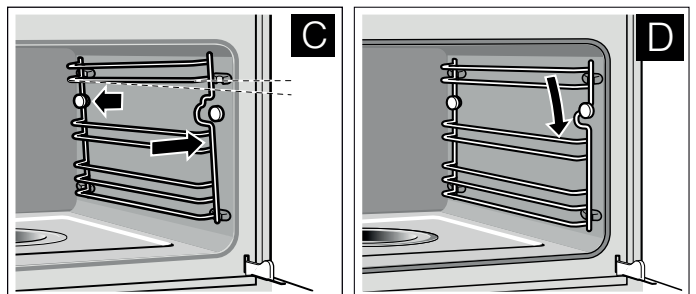
1. Tirez délicatement le devant de la grille vers le haut jusqu'à ce qu'elle soit décrochée et libérez-la du support latéral (image A).
2. Décrochez la grille du support et retirez-la (image B).



3. Utilisez un détergent à vaisselle et une éponge ou une brosse de cuisine pour nettoyer la grille ou bien nettoyez la grille au lave-vaisselle.

Réinsertion des grilles

1. Insérez la grille avec les entailles vers le haut. Les grilles sont conçues pour pouvoir être installées sur un seul côté. Les grilles ne s'insèrent que d'un seul côté.
2. Accrochez la grille à l'arrière et poussez-la jusqu'à ce qu'elle s'engage correctement (image C).
3. Accrochez la grille sur le support avant et appuyez vers le bas jusqu'à ce qu'elle s'engage et soit solidement en place à l'intérieur de l'appareil (image D).

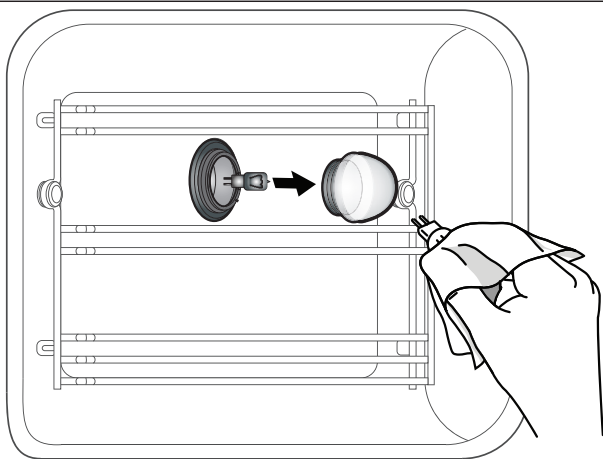


Entretien

Remplacement de l'ampoule du four à vapeur

Des ampoules à halogène de 230 V / 25 W maximum résistantes à la chaleur avec joint peuvent être achetées par l'entremise de magasins au détail ou du service à la clientèle. Lorsque vous achetez par l'intermédiaire du service à la clientèle, communiquez les numéros de modèle et de série de l'appareil.

1. Coupez l'alimentation à l'appareil au disjoncteur depuis la boîte de disjoncteurs.
2. Tournez le couvercle dans le sens antihoraire.
3. Retirez l'ampoule en saisissant et en la tirant droit vers l'arrière.
4. Ne touchez pas au verre de la nouvelle ampoule de remplacement avec les doigts. Cela pourrait provoquer la défaillance de l'ampoule lorsqu'elle s'allume pour la première fois. Saisissez l'ampoule de remplacement avec un chiffon propre et sec. Repérez les deux tiges dans le support de céramique, en tâtant légèrement jusqu'à ce que les deux tiges s'insèrent dans la douille céramique.
5. Assurez-vous que les joints et l'anneau de tension se trouvent sur le couvercle de verre. Vissez le couvercle de verre.
6. Rebranchez l'alimentation à l'appareil.



IMPORTANT :

N'utilisez jamais l'appareil sans le couvercle de glace ou les joints.

Service

Avant de contacter le service à la clientèle

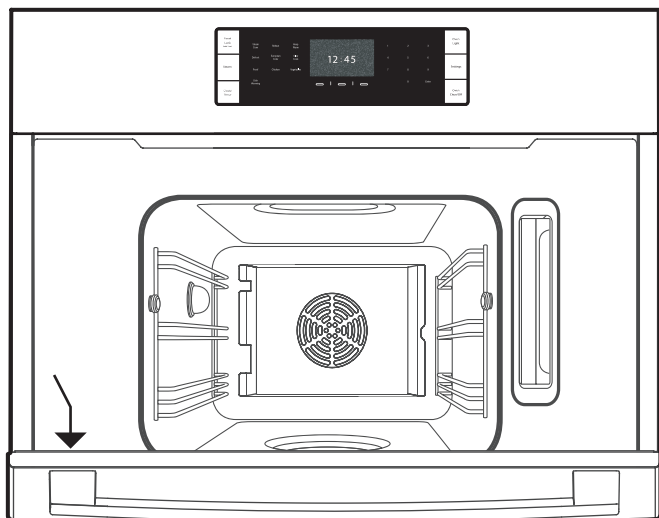
Dépannage

Si vous éprouvez un problème, la cause sera habituellement mineure. Avant de contacter le service à la clientèle, veuillez songer à suivre les suggestions et les instructions ci-dessous :

PROBLÈME	CAUSE PROBABLE	CONSEIL/SOLUTION
L'appareil ne fonctionne pas.	Le cordon n'est pas branché.	Branchez l'alimentation électrique à l'appareil.
	Panne d'électricité	Vérifiez si les autres appareils fonctionnent bien.
	Fusible défectueux	Vérifiez si le fusible ou la boîte à disjoncteurs si le disjoncteur ou le fusible pour l'appareil fonctionne.
	Mauvais fonctionnement	Coupez l'alimentation principale à l'appareil (fusible ou boîte de disjoncteurs) et rebranchez-la après environ 10 secondes.
L'appareil ne se met pas en marche.	La porte de l'appareil ne se ferme pas complètement.	Fermez la porte de l'appareil.
La réserve d'eau se vide sans raison apparente. Le plat évaporateur déborde.	La réserve d'eau n'a pas été fermée correctement.	Fermez le couvercle du réservoir jusqu'à ce qu'il s'insère correctement en place.
	Le joint d'étanchéité du couvercle du réservoir est sale	Nettoyez le joint.
	Le joint d'étanchéité du couvercle du réservoir est défectueux	Commandez un nouveau réservoir d'eau du service à la clientèle.
Le plat évaporateur a bouilli à sec même si la réserve d'eau est pleine	La réserve d'eau n'a pas été insérée correctement	Glissez la réserve d'eau jusqu'à ce qu'elle se verrouille en place.
	La conduite d'alimentation est bloquée	Détartrez l'appareil.
Un bruit de clapotis se fait entendre lors de la cuisson	C'est un changement de température qui affecte les aliments congelés et qui est causé par la vapeur d'eau	Ce phénomène est tout à fait normal.
De la vapeur s'échappe des ouvertures de ventilation lors de la cuisson		Ce phénomène est tout à fait normal.
L'appareil ne produit plus de vapeur de façon normale	L'appareil doit être détartré	Lancez le mode Decalcify (Détartrage)

Emplacements de la plaque signalétique et du schéma de câblage

Les plaques signalétiques contiennent les numéros de modèle et de série. Vous pouvez trouver cette information au bas du cadre avant, derrière la porte du four.



Information de service

Les réparations doivent être effectuées uniquement par un personnel d'entretien formé. Toute réparation inadéquate de votre appareil peut entraîner un risque de blessure grave ou de mort.

Pour rejoindre un représentant du service, voyez l'information de contact à la dernière page du manuel. Que vous écriviez ou appeliez, veuillez nous fournir le numéro de modèle, le numéro de série et la date d'achat original.

Pour référence pratique, copiez l'information ci-après de la plaque signalétique. Conservez votre facture aux fins de la garantie.

Numéro de modèle _____

Numéro de série _____

Date d'achat _____

Par ailleurs, entrez cette information sur le formulaire d'enregistrement du produit inclus avec ce produit, puis envoyez ce formulaire par la poste à l'adresse indiquée.

Enregistrez votre produit BSH pour assurer un service opportun et l'accès à l'information liée à votre produit. Vous pouvez enregistrer votre produit de plusieurs manières :

1. Envoyez par la poste la carte d'enregistrement du produit dûment remplie.
2. Enregistrez votre produit en ligne à www.bosch-home.com/us/.

Énoncé de la garantie

Couverture de la garantie limitée :

La garantie limitée fournie par BSH Home Appliances dans cet énoncé de garantie limitée s'applique seulement à l'appareil BOSCH qui vous a été vendu à titre de premier acheteur, en autant que le produit ait été acheté :

- pour une utilisation normale résidentielle (non commerciale), et qu'en fait en tout temps a été utilisé pour un usage domestique normal.
- nouveau au détail (non en montre, tel quel ou un modèle retourné antérieurement), qu'il n'est pas destiné à la revente ni à un usage commercial.
- aux États-Unis ou au Canada et qu'il est demeuré en tout temps dans le pays où l'appareil a été acheté.

Les garanties données ici s'appliquent seulement au premier acheteur du produit et ne sont pas transférables.

S'assurer de retourner la carte d'enregistrement, quoiqu'elle n'est pas nécessaire pour la garantie, c'est la façon dont BSH peut vous aviser dans le cas d'un avis de rappel ou de sécurité du produit.

Durée de la garantie

BSH garantit que le produit ne présente aucun défaut de matériaux ou de fabrication pour une période de trois-cent soixante-cinq (365) jours à compter de la date d'achat. La durée commence à la date d'achat et ne sera pas allongée, prolongée, interrompue pour quelle que raison que ce soit.

Réparation ou remplacement comme solution exclusive

Pendant la période de garantie, BSH ou un de ses centres de service autorisés réparera le produit sans frais (sujet à certaines limitations indiquées dans le présent document), si le produit présente un défaut de fabrication ou de matériaux. Si des tentatives raisonnables pour réparer le produit sont vaines, alors BSH remplacera le produit (un modèle supérieur peut être disponible, à la seule discrétion de BSH, moyennant des frais additionnels). Toutes les pièces ou les composants enlevés demeurent la seule propriété de BSH. Toute pièce et tout composant réparés doit être identique à la pièce d'origine à des fins de cette garantie et la garantie ne sera pas prolongée en regard de telles pièces. La seule responsabilité de BSH est de faire réparer le produit défectueux par un centre de service autorisé pendant les heures d'affaires normales. Pour la sécurité et éviter des dommages à la propriété, BSH recommande fortement de ne pas réparer le produit soi-même ou le faire réparer par une personne non qualifiée; BSH ne sera pas tenu responsable de réparations ou de travail effectués par un centre de service non autorisé. Si le consommateur désire faire réparer par une personne autre qu'une personne autorisée, **CETTE GARANTIE EST**

AUTOMATIQUEMENT NULLE ET NON AVENUE. Les centres de service autorisés sont les personnes ou les compagnies qui ont été spécialement formées sur les produits BSH et qui possèdent, selon l'opinion de BSH, une réputation supérieure pour le service à la clientèle et la capacité technique (il est à noter qu'elles sont des entités indépendantes et non des agents, partenaires, affiliations ou représentants de BSH). Nonobstant ce qui suit, BSH ne sera pas tenu responsable d'aucune façon si le produit est situé dans une région éloignée (supérieure à 100 miles d'un centre de service autorisé) ou n'est pas accessible de façon raisonnable, dans un environnement hasardeux, dangereux; dans une telle éventualité, à la demande du consommateur, BSH pourrait payer les frais de main-d'oeuvre et de pièces et expédier les pièces à un centre de service autorisé le plus près, mais le consommateur serait entièrement responsable pour tous les frais de déplacement et autres frais spéciaux encourus par le centre de service, en autant qu'il accepte l'appel de service.

Produit hors garantie

BSH n'a aucune obligation, aux termes de la loi ou autrement, d'offrir toute concession, incluant réparation, prorata ou remplacement de produit une fois la garantie expirée.

Exclusions à la garantie

La couverture de garantie décrite dans les présentes exclut tous les défauts ou dommages qui ne relèvent pas de la faute directe de BSH, y compris, sans s'y limiter, l'un ou plusieurs des suivants :

- Utilisation du produit autre qu'un usage normal, habituel et de la façon destinée (incluant, sans s'y limiter, toute forme d'utilisation commerciale, d'utilisation ou de rangement d'un produit pour l'intérieur à l'extérieur, utilisation du produit de concert avec un transporteur aérien ou marin)
- Mauvaise conduite, négligence, mauvaise utilisation, abus, accidents, fonctionnement inadéquat, mauvais entretien, installation inadéquate ou négligente, altération, manquement d'observer les instructions de fonctionnement, mauvaise manipulation, service non autorisé (incluant réparation par le consommateur ou exploration du fonctionnement interne du produit).
- Ajustement, modification ou altération de toute sorte.

- Manquement à la conformité des normes applicables fédérales, provinciales, municipales ou électriques du pays, codes de plomberie et/ou de construction, réglementation ou lois, incluant le manquement d'installer le produit en stricte conformité avec les codes et réglementations de construction et d'incendie locaux.
- Usure ordinaire, déversements d'aliments, liquide, accumulation de graisse ou autres substances accumulées dans, sur ou autour du produit.
- Toute force ou tout facteur externe, élémentaire et/ou environnemental, incluant sans limitation, pluie, vent, sable, inondation, incendie, coulée de boue, gel, humidité excessive et exposition prolongée à l'humidité, foudre, surtension, problème de structure autour de l'appareil et désastres naturels.

En aucun cas, BSH ne sera tenu responsable de dommages survenus à la propriété, incluant les armoires, planchers, plafonds et autres objets ou structures autour du produit. Également exclus de la garantie produit sur lequel le numéro de série a été modifié, altéré, effacé, enlevé ; appel de service pour enseigner le fonctionnement du produit ou les visites où il n'y a aucun problème avec le produit; correction de problèmes d'installation (le consommateur est seul responsable pour toute structure et tout réglage du produit, incluant l'électricité, la plomberie et autres connexions nécessaires, pour un plancher/fondation appropriée, et pour toute modification incluant, sans limitation, armoire, mur, plancher, tablette, etc.) et la remise de disjoncteurs ou le remplacement de fusible.

DANS LA MESURE AUTORISÉE PAR LOI, CETTE GARANTIE SPÉCIFIE LES SEULS RECOURS DONT VOUS DISPOSEZ À L'ÉGARD DU PRODUIT, QUE LA RÉCLAMATION SOIT FONDÉE SUR UN CONTRAT OU DÉLIT (Y COMPRIS RESPONSABILITÉ ABSOLUE OU NÉGLIGENCE) OU AUTRE. CETTE GARANTIE REMPLACE TOUTES LES AUTRES GARANTIES, EXPRESSES OU IMPLICITES. TOUTES GARANTIES IMPLICITES AUX TERMES DE LA LOI, INCLUANT LES GARANTIES DE QUALITÉ MARCHANDE OU D'APTITUDE À UN USAGE PARTICULIER, OU AUTRES, SONT LIMITÉES DANS LE TEMPS À LA DURÉE DE CETTE GARANTIE LIMITÉE. LE FABRICANT NE SERA EN AUCUN CAS RESPONSABLE DE DOMMAGES CONSÉCUTIFS, SPÉCIAUX, ACCESSOIRES, INDIRECTS OU DE "PERTES D'AFFAIRES" ET/OU DE DOMMAGES PUNITIFS DE PERTES OU DE DÉPENSES, Y COMPRIS SANS S'Y LIMITER, ABSENCE DU TRAVAIL, FRAIS D'HÔTEL ET/OU FRAIS DE RESTAURANT, FRAIS DE REMODELAGE EN EXCÉDENT DES DOMMAGES DIRECTS QUI SONT DÉFINITIVEMENT CAUSÉS EXCLUSIVEMENT PAR BSH, OU AUTRE. CERTAINS ÉTATS N'AUTORISENT PAS L'EXCLUSION OU LA LIMITATION DE DOMMAGES ACCESSOIRES OU CONSÉCUTIFS, ET CERTAINS ÉTATS N'AUTORISENT PAS LA LIMITATION DE LA DURÉE DES GARANTIES IMPLICITES, DONC LES LIMITES CI-DESSUS POURRAIENT NE PAS S'APPLIQUER À VOUS. CETTE GARANTIE VOUS DONNE DES DROITS PRÉCIS RECONNUS PAS LA LOI ET VOUS POUVEZ ÉGALEMENT AVOIR D'AUTRES DROITS QUI VARIENT D'UN ÉTAT À L'AUTRE.

Aucune tentative de modifier, changer ou amender cette garantie ne peut être effective sans le consentement écrit autorisé par un officier de BSH.

Nous nous réservons le droit d'apporter des modifications à ce produit ou manuel sans préavis.

BOSCH® Service / Entretien

Service

We realize you have made a considerable investment in your appliance. We are dedicated to supporting you and your appliance in any way possible.

Please don't hesitate to contact our Customer Support Team if you have any questions or in the unlikely event that your appliance needs service. We are ready to assist you.

USA:

1-800-944-2904

www.bosch-home.com/us

Canada:

1-800-944-2904

www.bosch-home.ca

Parts & Accessories

Filters, descalers, stainless steel conditioners, parts and more can be purchased in the BOSCH Accessories & Parts Store or by phone.

USA:

www.bosch-eshop.us

Canada:

Marcone 800-287-1627

or

Reliable Parts 800-663-6060

Entretien

Nous savons bien que vous avez investi une somme considérable dans votre nouvel appareil. Nous nous faisons un devoir de vous soutenir pour que vous puissiez profiter pleinement de votre appareil.

N'hésitez pas à communiquer avec notre équipe de soutien si vous avez des questions ou dans l'éventualité plutôt improbable où votre appareil aurait besoin de services d'entretien. Nous sommes prêts à vous venir en aide.

É.-U. :

1-800-944-2904

www.bosch-home.com/us

Canada :

1-800-944-2904

www.bosch-home.ca

Pièces et Accessoires

Vous pouvez vous procurer par téléphone ou à la boutique BOSCH en ligne des pièces, des filtres, des produits nettoyants pour acier inoxydable, des pièces et plus encore.

É.-U. :

www.bosch-eshop.us

Canada :

Marcone 800-287-1627

or

Reliable Parts 800-663-6060



BOSCH
Invented for life