

BOCCHI®

INSTALLATION INSTRUCTIONS

RETRO-FIT APRON FRONT FIRECLAY KITCHEN SINKS

Model:**Nuova**

- 1500-XXX-0127
- 1501-XXX-0127

Nuova Pro

- 1551-XXX-0120



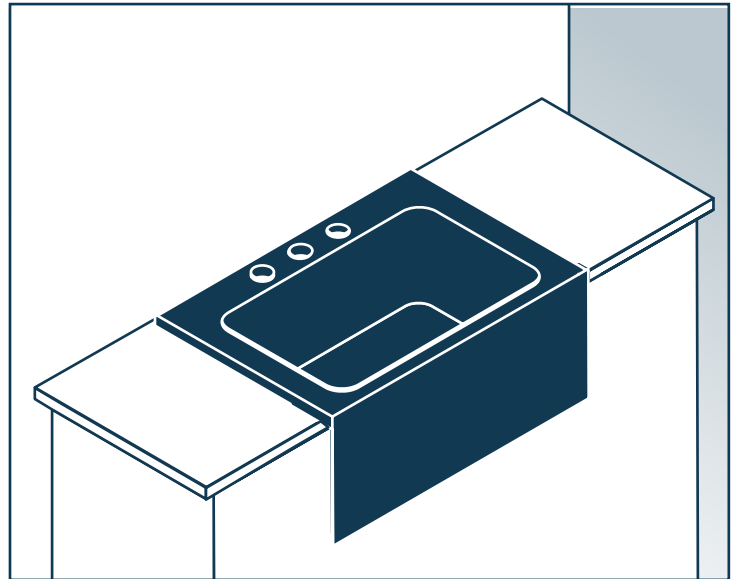
Before you begin: _____



WARNING: Risk of personal injury or product damage. Handle with care. Product can break, chip, cause injury or product damage if handled carelessly. Get help lifting the sink.

CAUTION: Read these instructions carefully before you begin this installation.

- Observe all local plumbing and building codes
- Shut off the hot and cold water supplies
- Inspect the drain and supply tubing; replace if necessary
- Prior to installation, unpack the new sink and inspect it for damage; return the sink to its protective carton until you are ready to install it
- Due to the variety of installations possible with this sink, you may need to use procedures other than those described
- It is particularly important that the proper materials are used with your sink; proper selection of countertops or tile is critical for a secure installation; because of the variance in thickness, your carpenter, tiler and plumber must be aware of the exact type you choose
- After selecting the tile and countertops, provide a sample to each contractor involved in the project; it is particularly important that the carpenter, tiler, and plumber maintain communication and discuss the requirements of the project
- The cabinet and frame shown in these instructions are generic and may not represent the actual design or structure of your products
- Due to the nature of fireclay sink installations, BOCCHI recommends that sink installations be performed by trained and experienced installers and that the sink being installed be used as its own template to ensure perfect fit
- To ensure a safe and damage-free installation, two people should install the sink together
- All information in these instructions is based on the latest product information available at the time of publication; BOCCHI reserves the right to make revisions in the design of the products without notice, as specified in the Price Book



Tools and Materials: _____



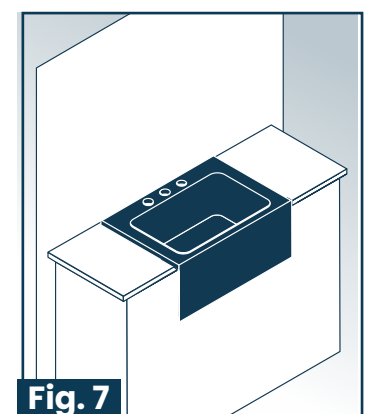
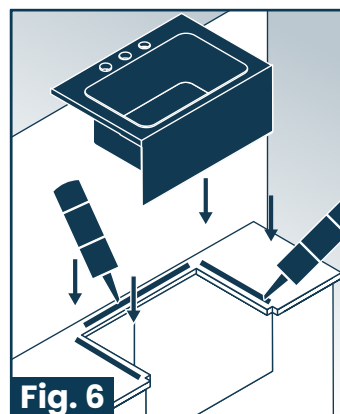
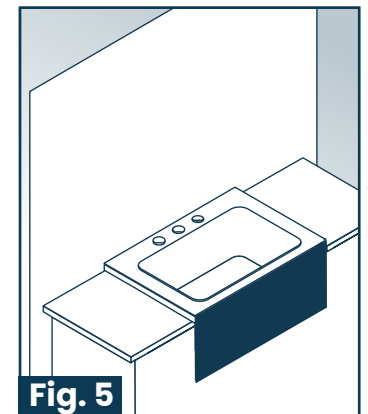
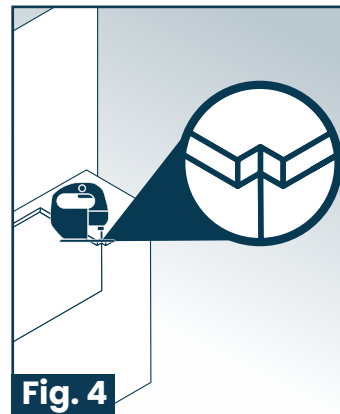
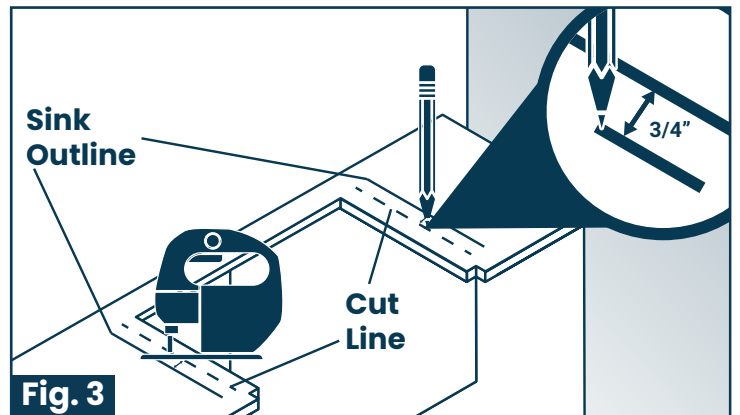
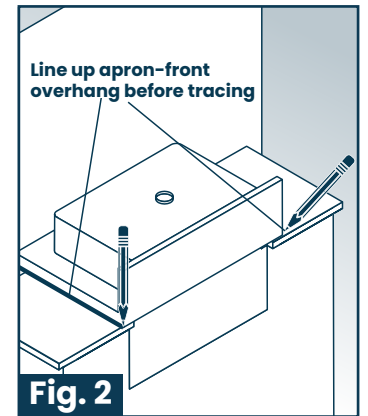
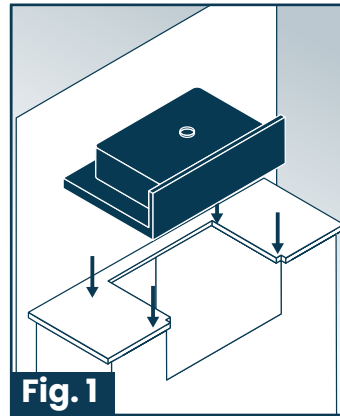
NOTE: Special tools may be needed to install faucet mounting holes, or water lines; if not already done, please consult a professional to perform any additional steps to prep the space for the installation of these faucets.

Preparation: _____

1. The sink is intended for installation in 36-inch cabinets
2. Verify that the Apron-front sink will fit the cabinet opening
3. Optional to install the strainer and faucet before installing the sink for ease of installation
4. Due to the various cutout sizes possible, a template is not supplied-- use the actual sink being installed as its own guide
5. The countertop must be flat and level and not thicker than 1.5 inch or have a larger overhang than 1.5 inch; be sure the countertop is fully supported by the cabinet
6. The sink will not install on countertops with integral drip edges

Installation:

1. Unpack the sink and inspect for defects; If any questions call BOCCHI at 877.565.2221 or email to: info@bocchiusa.com
2. The countertop must be flat, without drip edges; the countertop must have less than 1-1/2 inches (40mm) overhang and a max thickness of 1-1/2 inches (40mm)
3. Measure the countertop, front to back, to make sure the sink will not hit the backsplash
4. If replacing a sink, measure old sink and make sure the new sink will cover the cut out
5. Turn off water supply to old kitchen faucet at the angle stops, remove the faucet and old sink
6. Check that water supply and drain lines are in good shape and quality for new sink and faucet installation; replace if needed
7. Add painter's tape on countertop where sink will be installed; place the new sink upside down on top of the tape--lining up the overhang of the apron front appropriately; use the pen to trace the sink on the tape.
8. Remove the sink and mark a line 3/4 inch inside the traced line; this is the cut line for the new NUOVA sink
9. Measure the height and width of the new NUOVA apron front sink and cut out or remove the front of the cabinet to fit sink.
10. Verify that the NUOVA apron front will cover the opening and that there is adequate clearing to open the cabinet doors
11. Measure the width of the new NUOVA apron front sink and cut away needed material of the corners of the countertop for the sink to fit.
12. Apply clear silicone sealant on the rim of the sink and install the new NUOVA apron front sink flush with the cabinet front; immediately wipe away excess sealant around the sink.
13. Install the faucet and strainer according to their instructions; connect the drain.
14. Run water and check all connections for leaks.



Preparation:

Undercounter Installations:

CAUTION: Risk of personal injury or product damage. Large sinks are very heavy. Get help lifting the sink into place.

NOTE: This undermount installation section specifically applies to the **Nuova Pro 1551-XXX-0120** model of sink. If you are installing a different model of undermount sink, be sure to consult the manufacturer's instructions for that specific model to ensure that you are using the correct installation methods and hardware.

NOTE: Instructions in this section are for undercounter installation only. Alternative methods may require changes to the process; consult a professional before deviating from these steps.

1. Verify the sink will fit the cabinet opening. If necessary, adjust the opening by sanding or adding wood filler strips (shims) as needed.
2. Use shims to level the sink if the needed to ensure proper drainage.
3. Install the strainer(s) or garbage disposal to the sink according to the manufacturer's instructions.
4. Apply a 1 inch (2.5 cm) spot of sealant at each corner of the frame where it will contact the sink.

NOTE: if using shims additional sealant will be needed.

MANDATORY HORIZONTAL FRAME SUPPORTS are an important part of the installation process for a sink (FIG. 2). These supports provide stability and prevent the sink from wobbling or shifting. To install these supports, follow these steps:

Measure the actual sink to get the correct dimensions for the frame supports. This will ensure that the supports are properly sized to fit the sink and provide adequate support.

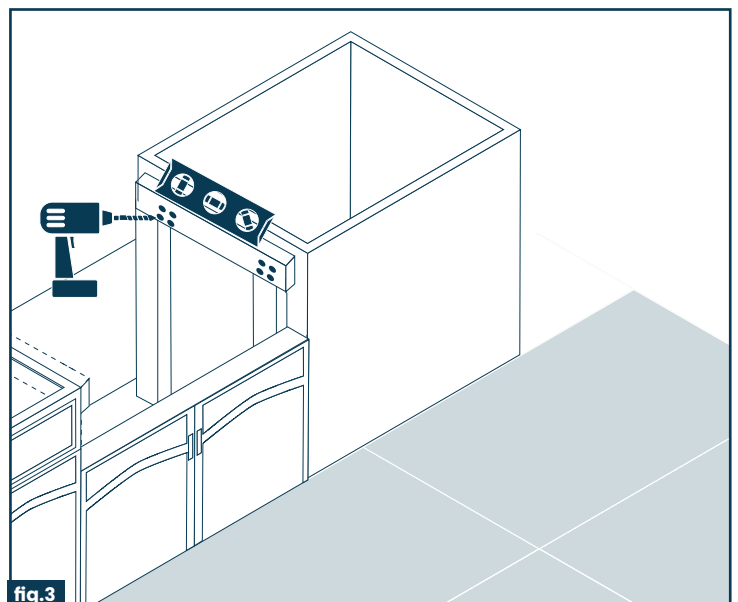
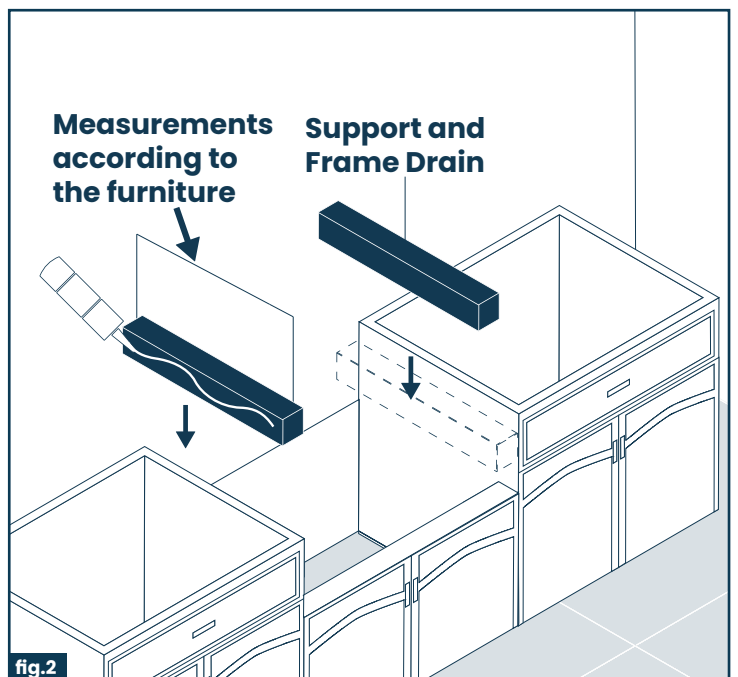
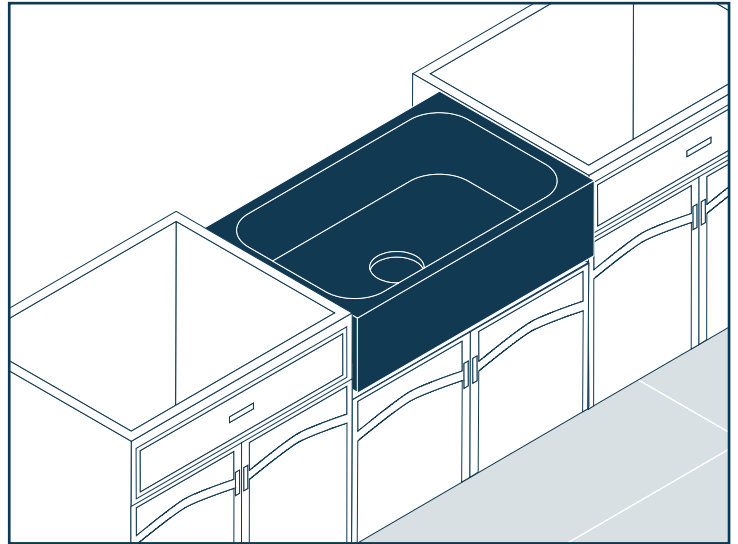
Cut the horizontal frame supports to the correct length based on the measurements of the sink.

The top of the cabinet should be $\frac{1}{16}$ " above the sink. To determine the height for the horizontal frame supports, **measure the thickness of the sink and add $\frac{1}{16}$ inch.**

Use screws or other appropriate hardware to secure the horizontal frame supports in place. Make sure to tighten the connections securely to ensure that the supports are stable and provide adequate support for the sink (Fig. 3).

Test the installation to ensure that the sink is stable and secure, and that there are no wobbles or other issues with the supports.

It is important to carefully follow the manufacturer's instructions and use the appropriate hardware and tools for this installation to ensure that the horizontal frame supports are properly installed and effective in providing support for the sink.



OPTIONAL VERTICAL SUPPORTS can be added to a cabinet to provide additional stability and support. To install these vertical supports, cut four lengths of support framing to extend from the bottom of the horizontal supports to the floor of the cabinet. Then, use construction adhesive and screws (not provided) to secure the vertical supports in place. This will provide additional stability and support for the cabinet, ensuring that it remains securely in place and does not wobble or shift (Fig. 4).

It is important to carefully follow the manufacturer's instructions and use the appropriate hardware and tools for this installation to ensure that the vertical supports are properly installed and effective in providing support for the cabinet.

5. Carefully position the sink within the frame, making sure to center the sink in the cabinet left-to-right, and ensure the drain area is aligned between the sink and the support board.

OPTIONAL: Apply sealant between the cabinet and the apron.

6. On the areas of the sink to be undermounted beneath the countertop only-- Apply a bead of silicone around the top of the sink before installing the countertop.
7. Carefully place the countertop in place on top of the sink. Immediately wipe up any excess sealant around the edges. Refer to sealant directions for length of time needed to ensure a tight seal.
8. Connect the drain and faucet. Run the water to check for leaks.

