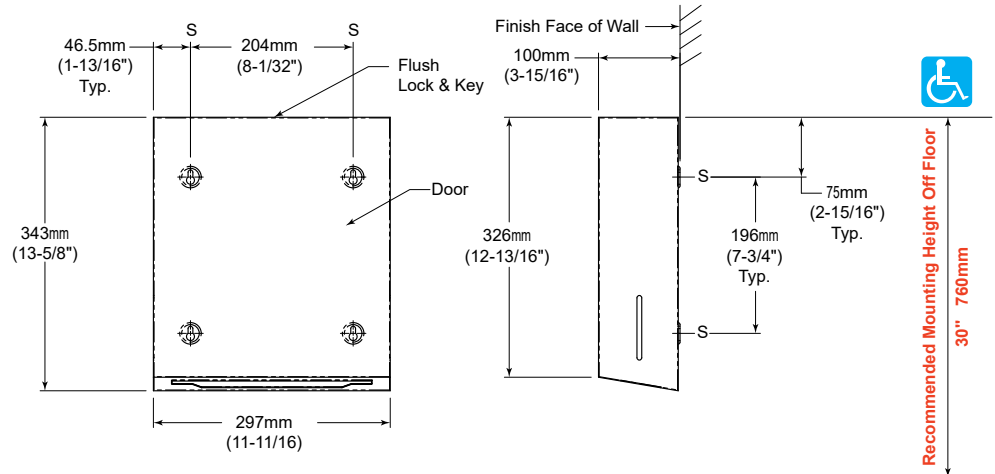


BOBRICK**Technical Data***fino* collection
**SURFACE-MOUNTED
PAPER TOWEL DISPENSER****B-9262****MATERIALS:**

Cabinet — Unit is of type 304 gauge, 18 gauge (1,2mm) stainless steel. All heliarc welded construction with well defined edges and corners. Cabinet is connected to backplate via a hinge at the unit's rear bottom, which prevents paper towels from falling out when opening. Cabinet-swing-limiter allows cabinet to open down to a horizontal position, which eases refill of paper towels and prevents cabinet from harming the wall when opening. Integrated TowelMate®. Equipped with a tumbler lock keyed like other Bobrick washroom accessories. Lock is on top of unit and flush with the surface - no protrusion. Unit shall be capable of dispensing 400 C-fold or 525 multifold paper towels 2-1/2" to 3-13/16" (64–97mm) deep.

Backplate — Has recessed key lock mounting holes to prevent mounting screw heads from snapping towels 18-8, type-304, 18 gauge (1.2mm).

TowelMate® — part no. 262-130. Module, Type 304, 24-gauge (0.6mm) stainless steel. Black, 3/8" (10mm) diameter Nylon 6/6 Rod fastened to Module with two stainless steel sheet metal screws.

OPERATION:

Unit dispenses C-fold or multifold paper towels 2-1/2" to 3-13/16" (64–97mm) deep without adjustment or use of adapters. After unlocking with key provided, cabinet swings down for loading paper towels into cabinet. Load paper onto the TowelMate within the cabinet, and then pull one sheet of paper towel over the TowelMate towel rod and out to conceal rod and start dispense. Slots in sides of cabinet indicate refill time. After unlocking with key provided, cabinet swings down for loading paper towels into cabinet.

INSTALLATION:

Mount unit on wall with four #10 x 1-1/4" sheet-metal mounting screws (not furnished) at points indicated by an S. For plaster or dry wall construction, provide concealed backing to comply with local building codes, then secure unit with sheet-metal screws. For other wall surfaces, provide fiber plugs or expansion shields for use with sheet-metal screws, or provide 1/8" (3mm) toggle bolts or expansion bolts.

SPECIFICATION:

Unit is of type 304 gauge (1,2mm) stainless steel. All heliarc welded construction with well defined edges and corners. Cabinet is connected to backplate via a hinge at the unit's rear bottom, which prevents paper towels from falling out when opening. Door-limiter allows cabinet to open down to a horizontal position, which eases refill of paper towels and prevents cabinet from harming the wall when opening. Integrated TowelMate. Backplate has recessed key lock mounting holes to prevent mounting screw heads from snapping towels. Unit shall be capable of dispensing 400 C-fold or 525 multifold paper towels 2-1/2" to 3-13/16" (64–97mm) deep without adjustment or use of adapters.

Surface-Mounted Paper Towel Dispenser shall be Model B-9262 of Bobrick Washroom Equipment, Inc., Clifton Park, New York; Jackson, Tennessee; Los Angeles, California; Bobrick Washroom Equipment Company, Scarborough, Ontario; Bobrick Washroom Equipment Pty. Ltd., Australia; and Bobrick Washroom Equipment Limited, United Kingdom.