

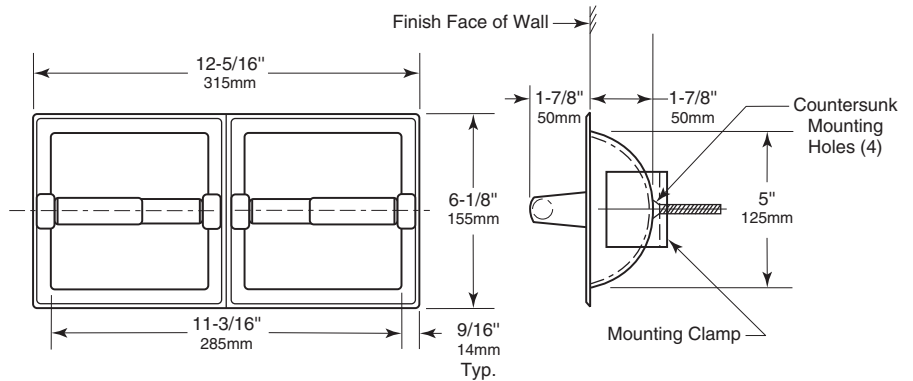


Technical Data

RECESSED DUAL-ROLL TOILET TISSUE DISPENSER (FOR STUD WALLS OR COUNTERTOP APRONS)

B-697 B-6977

Specify Model Required: Model B-697 Bright polished stainless steel
 Model B-6977 Satin-finish stainless steel



Rough Opening
 11-3/4" (300mm) wide
 5-1/4" (135mm) high
 3-3/8" (85mm) minimum recessed depth

MATERIALS:

Shell and Flange — 18-8, type-304, 22-gauge (0.8mm) stainless steel. Drawn, one-piece, seamless construction with four countersunk mounting holes.

Support Posts (4) — Heavy-duty cast zamak with chrome-plated finish.

Mounting Bracket — Plated-steel mounting clamp attaches to back of unit with four sheet-metal screws for installation in stud walls or countertop aprons.

Spindles (2) — Chrome-plated plastic equipped with heavy-duty internal springs.

Designer's Note: Theft-resistant toilet tissue spindles, which are removable only with special key provided, are available as an optional accessory. To specify, add suffix .60 to model number. Example: B-697.60.

INSTALLATION:

Provide framed rough opening 11-3/4" wide x 5-1/4" high (300 x 135mm). Minimum recessed depth required from finish face of wall or apron is 3-3/8" (85mm).

For installation in stud walls or countertop aprons without backing, loosely attach mounting clamp to back of unit with sheet-metal mounting screws. Insert into rough opening. Adjust mounting clamp so it grips surface inside rough opening. Secure in place by tightening four sheet-metal mounting screws.

For installation in stud walls or countertop aprons with backing, discard mounting clamp furnished with unit. Insert unit only into rough opening and secure with sheet-metal screws furnished. Backing must comply with local building codes.

SPECIFICATION:

Recessed dual-roll toilet tissue dispenser shall be type-304, 22-gauge (0.8mm) stainless steel with _____ (insert one: bright polished or satin) finish. Shell and flange shall be drawn, one-piece, seamless construction. Unit shall be furnished with plated-steel mounting clamp for stud walls and countertop aprons. *Spindles shall be chrome-plated plastic with heavy-duty internal springs.

**To specify theft-resistant spindles as an optional accessory, add to specification:* Theft-resistant toilet tissue spindles shall be removable only with special key provided.

Recessed Dual-Roll Toilet Tissue Dispenser shall be Model _____ (insert model number) of Bobrick Washroom Equipment, Inc., Clifton Park, New York; Jackson, Tennessee; Los Angeles, California; Bobrick Washroom Equipment Company, Scarborough, Ontario; Bobrick Washroom Equipment Pty. Ltd., Australia; and Bobrick Washroom Equipment Limited, United Kingdom.