



Guide for Ordering Replacement Locks and Keys for Bobrick Washroom Equipment

The same lock is used on variations of a basic cabinet, such as cabinets with skirts, cabinets with optional features designated by suffix numbers or variations in soap valves, door, depth of waste receptacle, finish; or any other modifications which would not affect the lock.

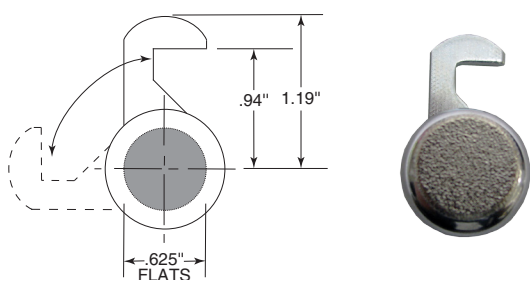
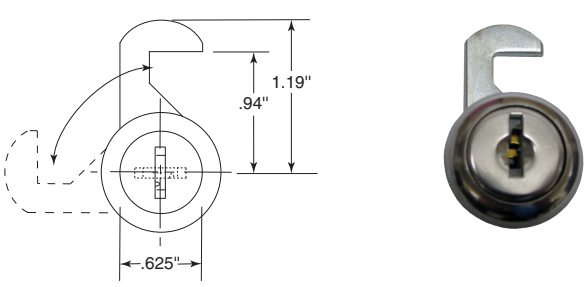
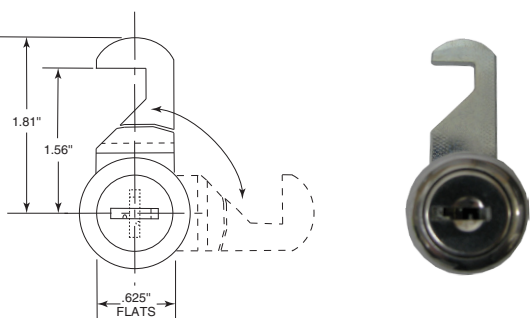
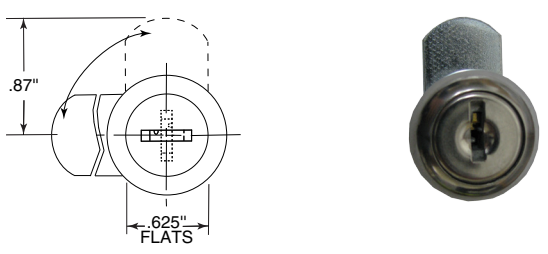
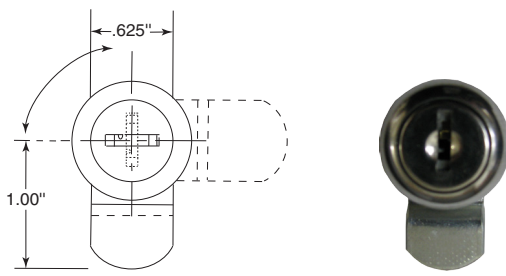
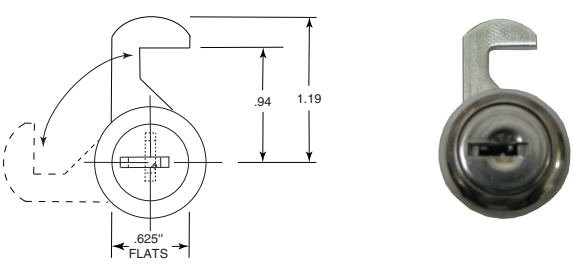
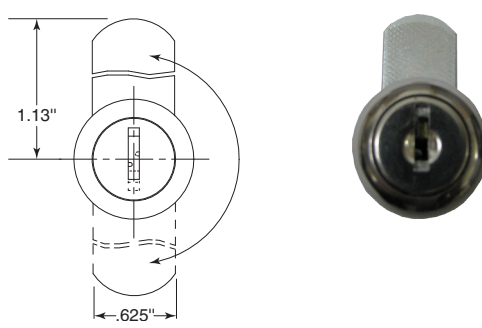
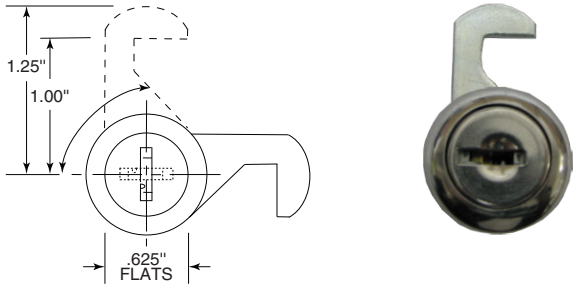
All models keyed alike with Bobrick CAT-74 Key, P/N 330-43, except for security, vendor coin boxes have Key P/N 352-112. If lock with CAT-118 Key is ordered, use P/N 352-122. A BobKey is included with soap vessels and theft-resistant spindles.

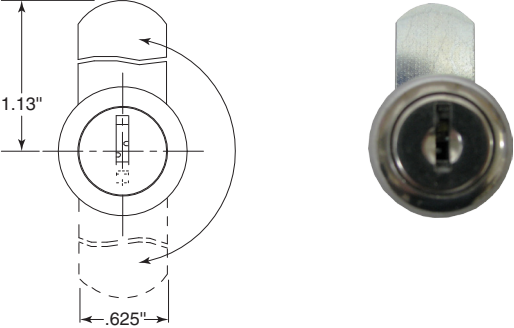
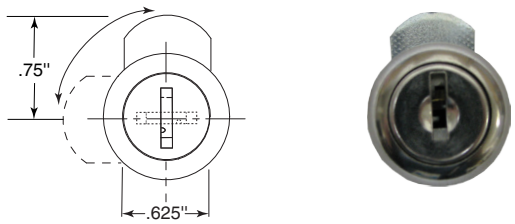
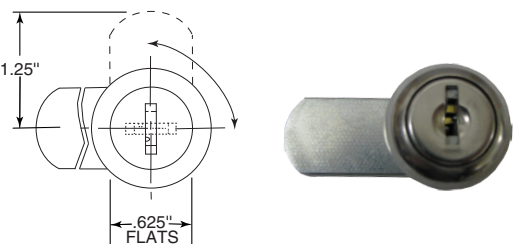
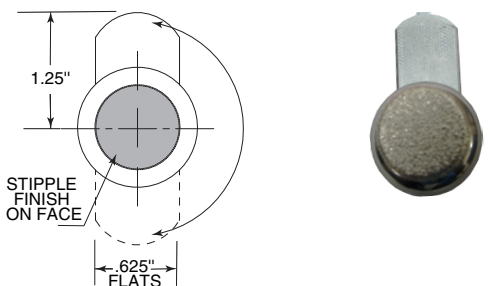
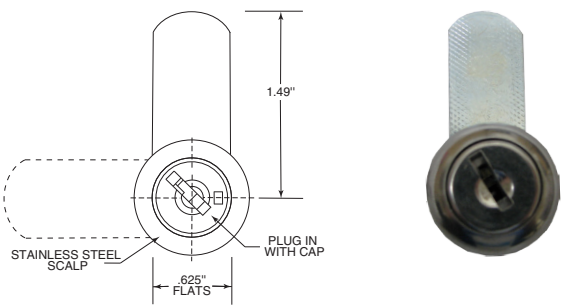
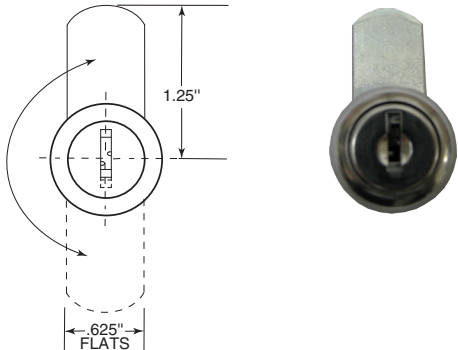
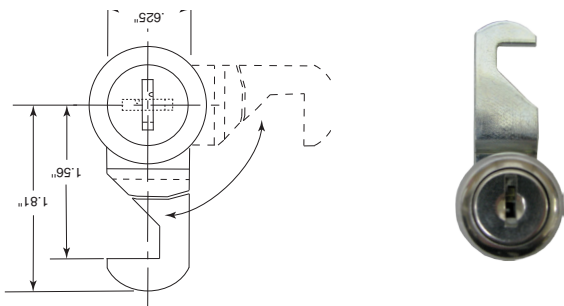
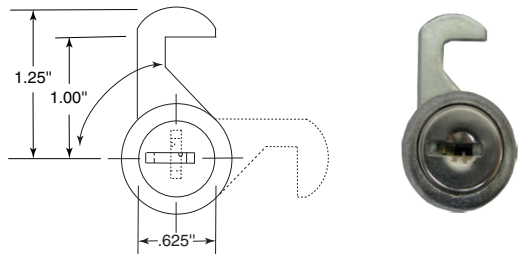
Model Number	Lock & Key	Model Number	Lock & Key
B-254	314370-22	B-37063 ⁽⁵⁾	383257 (Door Lock)
B-262	352-100		3706-175 (Security Lock)
	2621-8 (Knob Latch)		3706-144 (Coin Box)
B-2621	2621-8 (Knob Latch)	B-370634 ⁽⁵⁾	383257 (Door Lock)
B-26212	352-100		3706-175 (Security Lock)
B-263	263-39		3706-144 (Coin Box)
B-2706 ⁽⁵⁾	383257 (Door)	B-370639 ⁽⁵⁾	383257 (Door Lock)
	3706-175 (Security Lock)		3706-175 (Security Lock)
	3706-144 (Coin Box)		3706-144 (Coin Box)
B-2746	2746-9	B-3803 Series	39003-21
B-2860	3500-100	B-386	388-42
B-2888	388-42	B-3888	388-42
	2621-8 (Knob Latch)		2621-8 (Knob Latch)
B-2892	2892-36	B-39003 Series	39003-21
B-2974	3500-100 (Door)	B-3944 Series	330-41 (Old Door)
B-29744	3500-100 (Door)		330-148 (Old Door)
B-301	301-19		Knob Latch Waste)
B-3013	288-122		3944-30 (New Door, Convertible)
B-3094	353-25		3944-41 (Waste Receptacle)
B-347 Series	39003-21		3944-143 (New Knob Latch Waste)
	314370-22 (Old Knob Latch)	B-3961	38077-15 (Old Door)
	388-44 (New Top Door)		3500-100 (New Door)
B-353	39003-21		3944-41 (Receptacle)
	314370-22 (Knob Latch)		3944-143 (Knob Latch)
B-354	39003-21	3974-50	3500-100 (Door)
	314370-22 (Knob Latch)	B-3974	3500-100 (Door)
B-357 Series	39003-21		3944-41 (Receptacle)
	314370-22 (Old Knob Latch)	B-39747	3500-100 (Door)
	3803-5 (New Bottom Door)		3944-41 (Receptacle)
B-3570 Series	39003-21	B-3979	3500-100 (Door)
	314370-22 (Knob Latch)		3944-41 (Receptacle)
B-359	352-100	B-4262	4262-36
	2621-8 (Knob Latch)	B-4288	288-42
B-3588, B-35883	388-42 (Lock & Key)	B-43944	43944-20
	2621-8 (Knob Latch)	B-4369	4369-20
B-356393, B-356493		B-4388	288-42
B-359033, B-359039	39003-21 (Lock & Key)	B-4706 ⁽⁶⁾	43500-24 (Door)
	314370-22 (Knob Latch)		4706-175 (Security Lock)
B-3706 ⁽⁵⁾	383257 (Door Lock)		3706-144 (Coin Box)
	3706-175 (Security Lock)		
	3706-144 (Coin Box)		

Earlier Production with Non-Current Locks

Model Number	Lock & Key	Units Manufactured
B-288	388-19	Prior to January 1972
B-306, B-3067	305-19	
B-307, B-3077		
B-366 Series	360-48	Prior to October 1986
B-369	317893-42	Prior to September 2000
B-386, 388	288-122	Between 1/72 and 4/89

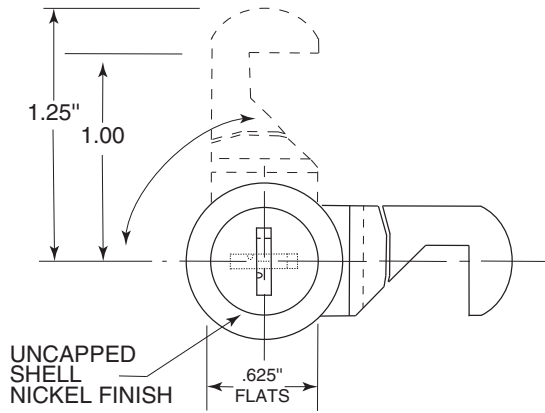
<p>2621-8 (Knob Latch)</p> <p>.87"</p> <p>STIPPLE FINISH ON FACE</p> <p>.625" FLATS</p>	<p>263-39</p> <p>1.00"</p> <p>.75"</p> <p>.625" FLATS</p>
<p>2746-9</p> <p>.625" FLATS</p>	<p>288-122</p> <p>1.13"</p> <p>.625"</p>
<p>288-42</p> <p>.94"</p> <p>.625" FLATS</p>	<p>2892-36</p> <p>1.50"</p> <p>1.25"</p> <p>.625" FLATS</p>
<p>301-19</p> <p>1.13"</p> <p>.625"</p>	<p>314370-22 (Knob Latch)</p> <p>1.25"</p> <p>.625" FLATS</p>

<p style="text-align: center;">330-148 (Old Door)</p> 	<p style="text-align: center;">330-41 (Old Door)</p> 
<p style="text-align: center;">3500-100 (Door)</p> 	<p style="text-align: center;">352-100</p> 
<p style="text-align: center;">353-25</p> 	<p style="text-align: center;">3706-144 (Coin Box)</p> 
<p style="text-align: center;">3706-175 (Security Lock) CAT Key 118</p> 	<p style="text-align: center;">38077-15 (Towel Dispenser)</p> 

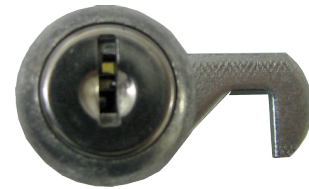
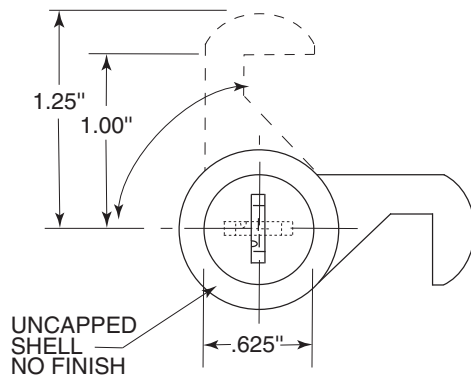
<p>383257 (Door Lock)</p> 	<p>388-42</p> 
<p>39003-21</p> 	<p>3944-143 (Knob Latch)</p> 
<p>3944-30 (New Door, Convertible)</p> 	<p>3944-41 (Waste Receptacle)</p> 
<p>4262-36</p> 	<p>43500-24 (Door)</p> 

Lock & Key Reference Guide

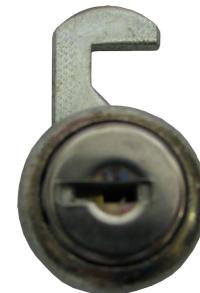
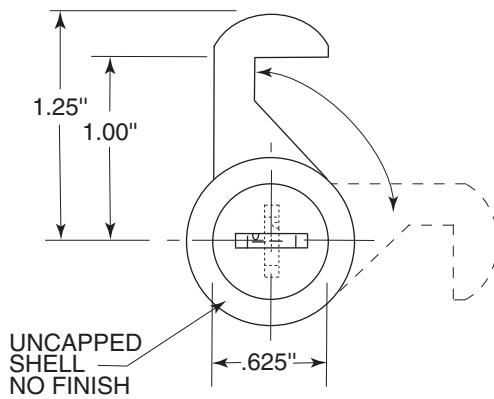
4369-20



43944-20



4706-175
(Security Lock)
CAT Key 118





Lock & Key Reference Guide

BUILDING VALUE SINCE 1906

Discontinued Models		Discontinued Models	
B-235	330-41	B-364	3944-41
B-267	360-48	B-364077	3803-5
B-2793	352-100	B-3649	3944-41
B-2800	2800-28 (upper)	B-3644	3944-41
	2800-48 (lower)	B-3645	3944-41
	3500-58 (Coin Box)	B-36503 Series ⁽²⁾	3803-5
B-2801	234-51 (upper)	B-366 Series	305-19
	2802X2-22 (lower)	B-367 ⁽⁴⁾	3944-41
B-2802 Series	234-51 (upper)	B-36703	39003-21
	2802X2-22 (lower)	B-367077	3803-5
	234-44 (Coin Box)	B-368 ⁽⁴⁾	3944-41
B-282 ⁽³⁾	352-50	B-369	369-42 (Knob Latch)
	352-111 (Coin Box)		319148
B-288	288-122	B-372	330-41
B-2893	2892-36	B-376	288-122
B-3017	288-122	B-378	288-122
B-304	301-19	B-38074	38077-15
B-31903	330-41	B-3807	38077-15
B-31907	330-41	B-3860	360-48
B-3220	330-41	B-3861	360-48
B-3226	330-41	B-388	288-42
B-323	330-41	B-3900 Series	330-41 (Door)
B-330 Series	330-41		3944-41 (Receptacle)
B-3300	330-41	B-39007	38077-15
B-3301	330-41	B-390074	38077-15
B-3302	330-41	B-3950	305-19
B-332	330-41	B-3960	360-48 (Towel Dispenser)
B-3330	330-41		3944-41 (Waste Receptacle)
B-3336	330-41	B-39603	39603-15
B-334	330-41		815049 (Knob Latch)
B-347 (Before May 1994)	301-19	B-396034	815049 (Knob Latch)
B-33007	330-41	B-39607	38077-15
B-3500 ⁽⁷⁾	3500-100 (upper)	B-43500	43500-24
	3500-99 (lower)	B-4362	4369-20
	3500-58 (Coin Box)	B-4369	4369-20
B-3502 Series ⁽²⁾	344-42	B-4388	288-42
	3502X2-22 (lower)	B-520	305-19 Door
	234-44 (Coin Box)		3944-41 Receptacle
B-352 ⁽³⁾	352-50	B-525	39003-21
	352-111 (Coin Box)	B-52507	39003-21
B-35907	38077-15	B-52503	39003-21
	314370-22 (Knob Latch)	B-5262	5288-10 Retrofit Tumbler Lock Kit
B-357 (Before May 1994)	301-19 (Seat Cover)		52860-21
	353-25 (Disposal)	B-52860	5288-10 Retrofit Tumbler Lock Kit
B-360 Series	305-19 (2 required)	B-5288	
B-360P	305-19 (2 required)	B-590	330-41 Door
B-36003 Series	39003-21 (2 required)	B-591	330-41 Door
B-360039	39003-21 (2 required)	B-72974	24-17 BobKey
B-361	330-41	B-930	305-19
B-362	305-19		
B-36203	4063-16		
B-363	305-19		

- (1) For added security, use 2800-101 (upper) and 2800-104 (lower); both keyed to CAT-118.
 (2) For added security, use 344-120 (upper) and 344-122 (lower); both keyed to CAT-118.
 (3) For added security, use 352-120 (upper and lower); keyed to CAT-118.
 (4) Can be converted to knob latch with conversion kit P/N 360-142.
 (5) For added security, use 3706-175 keyed to CAT-118
 (6) For added security, use 4706-175 keyed to CAT-118
 (7) For added security, use 3500-101 (upper) and 3500-105 (lower); both keyed to CAT-118.

In the United States: BOBRICK WASHROOM EQUIPMENT, INC.
 200 Commerce Drive, Clifton Park, New York 12065-1350 • Tel: (518) 877-7444 • FAX: 518-877-5029
 6901 Tujunga Ave, North Hollywood, CA 91605-6213 • Tel: (818) 982-9600 • FAX: 818-503-9287
 or email customerservice@bobrick.com

In Canada: BOBRICK WASHROOM EQUIPMENT COMPANY
 45 Rolark Drive, Scarborough, Ontario M1R 3B1 • Eastern Canada: Tel: (877) 423-6555 • FAX: (877) 423-8555
 • Western Canada: Tel: (877) 423-6444 • FAX: (877) 423-8444 or email customerservice@bobrick.com