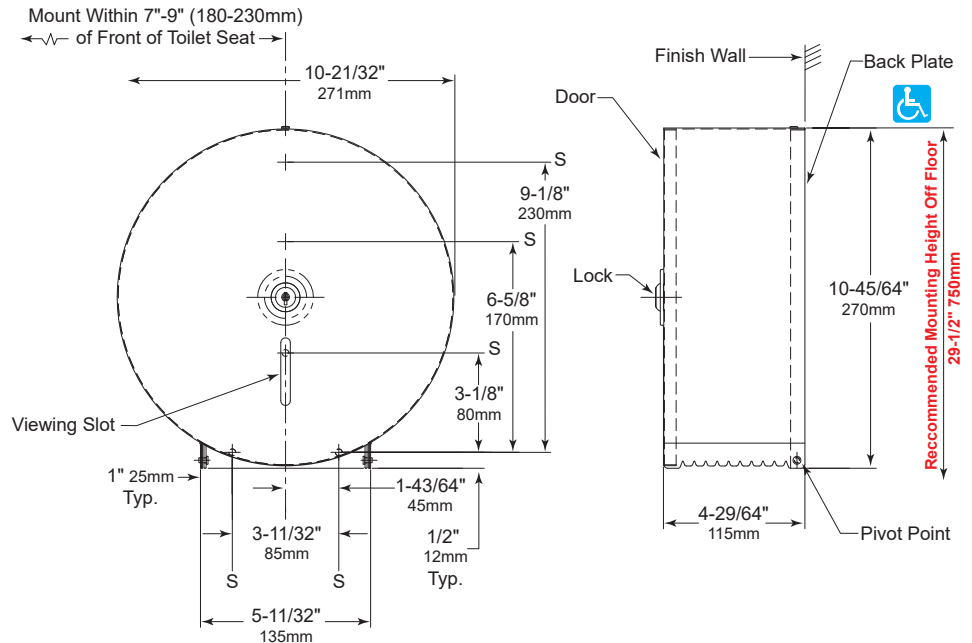


BOBRICK**Technical Data****SURFACE-MOUNTED
SINGLE JUMBO-ROLL
TOILET TISSUE DISPENSER****B-2890**

Note: Dispenser is ICC A117.1 - 2009 Standard for Accessibility compliant. Outlet of dispenser shall be located, in area 24" minimum to 42" maximum from rear wall, 18" minimum above floor.

MATERIAL:

Mounting Plate — 16-gauge (1.6mm) stainless steel.

Door — Type-304, 22-gauge (0.8mm) stainless steel with satin-finish. Slot reveals toilet tissue supply inside cabinet. Equipped with a lock keyed like other Bobrick Washroom Equipment accessories.

Spindle — Removable rubber-o-rings converts to smaller spindle. Fixed inner spindle, 20 gauge (0.9mm) stainless steel.

OPERATION:

Door unlocks with key provided and swings down for loading dispenser. Spindle adapter accommodates one toilet tissue roll up to 10" (255mm) diameter with a 1-5/8" (40mm) diameter core roll; convertible for 3" (75mm) diameter core rolls. Rubber o-rings (2) (furnished by manufacturer) may be added to the steel inner spindle to accommodate a 2-1/8" (55mm) diameter core roll. Wide viewing slot in door reveals the amount of toilet tissue on roll. Unit is designed for quick reloading.

INSTALLATION:

Mount unit on wall or toilet partition with sheet-metal screws at points indicated by an S. Rear edge of unit should be 20" (510mm) from back wall. This locates toilet tissue within 7"-9" (180-230mm) of front of standard toilet that projects 30" (305mm) from back wall. If required, washers can be added to the lower mounting screw holes to increase the spacing between the bottom of the unit and the mounting wall or toilet partition panel.

For plaster or dry wall construction, provide concealed backing to comply with local building codes, then secure with sheet-metal screws (not furnished). For other wall surfaces, provide fiber plugs or expansion shields for use with sheet-metal screws (not furnished), or provide 6mm (1/4") toggle bolts or expansion bolts.

For partitions with particle-board or other solid core, secure with sheet-metal screws (not furnished), or provide through-bolts, nuts, and washers. For hollow-core metal partitions, provide solid backing into which the sheet-metal screws can be secured. If two units are installed back-to-back, then provide threaded sleeves and machine screws for the full thickness of partition.

SPECIFICATION:

Single jumbo-roll toilet tissue dispenser door shall be 22-gauge (0.8mm) stainless steel with satin-finish. Door shall be equipped with a lock keyed like other Bobrick washroom accessories. Door shall have a slot to reveal toilet tissue supply inside cabinet. Spindle shall accommodate one toilet tissue roll up to 10" (255mm) diameter with a 1-5/8" (40mm) diameter core roll convertible for 3" (75mm) diameter core rolls or 2-1/8" (55mm) diameter core roll by adding rubber o-rings (2) furnished.

Single Jumbo-Roll Toilet Tissue Dispenser shall be Model B-2890 of Bobrick Washroom Equipment, Inc., Clifton Park, New York; Jackson, Tennessee; Los Angeles, California; Bobrick Washroom Equipment Company, Scarborough, Ontario; Bobrick Washroom Equipment Pty. Ltd., Australia; and Bobrick Washroom Equipment Limited, United Kingdom.