



TANDEM plus BLUMOTION

Premium Concealed Runners for Wood Drawers

[blum.com](https://www.blum.com)

 **blum**[®]

TANDEM plus BLUMOTION

TANDEM plus BLUMOTION brings together all of the features, innovations and benefits that Blum has developed since first manufacturing drawer runners in the early 1960s. The first time you open and close a fully loaded drawer, you will quickly realize that TANDEM plus BLUMOTION concealed runners are unmatched in quality, style and running action.





Contents

TANDEM plus BLUMOTION

- 6** Overview
- 7** Testing Standards
- 8** General Specifications
- 10** Using TANDEM plus BLUMOTION
- 11** Drawer Preparation
- 12** Standard Applications
- 22** Inset Drawer
- 24** Narrow Drawer
- 26** Lateral Stabilizer for 563/569
- 28** Pull-Out Shelf Lock
- 29** Bottom Mount Drawer
- 30** SPACE CORNER
- 32** Locking Devices
- 34** Rear Attachment Options
- 36** TANDEM edge BLUMOTION
- 38** Accessories and Assembly Aids
- 42** ORGA-LINE
- 44** Additional Information
- 45** Part Number Index

Made in the USA

Manufactured at our North Carolina facility, TANDEM plus BLUMOTION concealed runners are mounted discreetly beneath the drawer and have the quietest opening and softest closing action available.

These top-of-the-line concealed runners are the industry choice for dovetail drawers in high-end cabinetry, in either face frame or frameless.

 **blum**



Adjustable and Versatile

TANDEM plus BLUMOTION concealed runners offer four-dimensional adjustment, elongated holes for depth adjustment, bottom mount holes and exceptional load capacity.

The availability of a wide variety of locking devices, rear mounting brackets, sockets and templates make installation virtually effortless.



The Right Solution for Every Drawer

These concealed runners are the perfect solution for virtually any drawer. Kitchens, vanities, closets, home office and furniture all benefit from the smooth running and soft closing action of TANDEM plus BLUMOTION.

The customer only sees the beauty of the wood drawers while experiencing the quality of motion and soft closing they have come to expect from Blum products.



TANDEM plus BLUMOTION

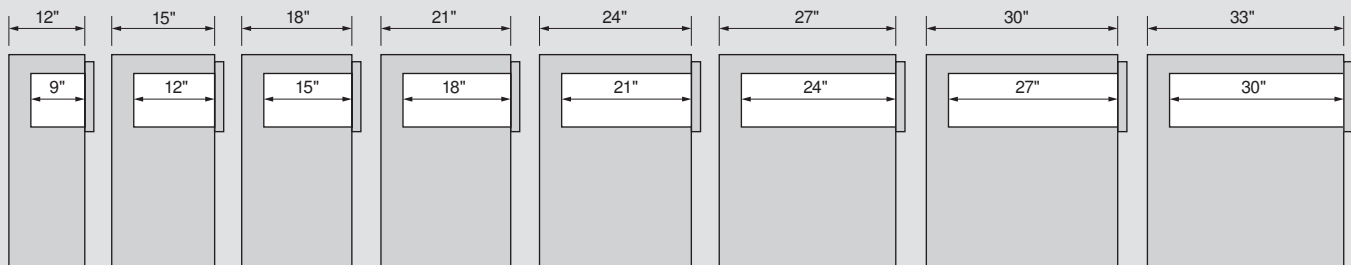


Overview

Drawer length	7/8 extension	Full extension with BLUMOTION		Heavy duty full extension with BLUMOTION	
	Maximum drawer thickness	Maximum drawer thickness		Maximum drawer thickness	
	5/8"	5/8"	3/4"	5/8"	3/4"
9"	554H	563H	563F		
12"					
15"					
18"		563H and 563.		569H	569F
21"					
24"				569.	569A
27"					
30"					
Capacity static/dynamic	100/75 lb*	100/90 lb*		150/135 lb*	

*Per ANSI/BHMA A156.9 Grade 1 standards on a 21" length drawer box

Standard lengths



TANDEM series runners are based on the American standard 3" cabinet depth system, therefore runner lengths are in 3" increments. TANDEM plus runners are available for drawers from 9" to 30" in length.



Planning Tools

Blum has downloadable Excel® spreadsheets that provide the required parts and calculate the mounting locations for your application.

Planning tools are easily accessible on our website at blum.com/planning



**ISO 9001**

Blum, Inc. is ISO 9001 certified which means that you are assured of consistent quality in every Blum product.

**ANSI/BHMA**

All Blum runners meet or exceed ANSI/BHMA A156.9 Grade 1 requirements. Contact your local Blum representative for more details.

**General Information**

All Blum hardware undergoes strict quality control procedures through all stages of production. Blum hardware is designed for cabinets and cabinet components made from wood, melamine or MDF. Careful attention must be paid to installation and operating instructions when using Blum hardware (see catalogs and instruction sheets for all technical information). The manufacturer must decide on the screws or attachment methods to suit the material being used (i.e. wood, melamine, etc.). The hardware must not be exposed to acidic or corrosive materials (i.e. some household cleaning solutions). To ensure that Blum hardware functions correctly, it must be kept clean and undamaged. For any additional information please contact your Blum representative. Anyone selling Blum hardware must ensure that their customer is aware of any relevant information given in this catalog.

Conditions of Sale and Delivery

All deliveries and services are based on the "general conditions of sale" which are available upon request. The technical presentations and dimensions in illustrations are non-binding. We reserve the right to make changes to specifications at any time. We do not accept any responsibility for any errors which may occur in the production of this catalog.

TANDEM plus BLUMOTION



General Specifications

Complete Runner System

- Full extension concealed runners with BLUMOTION soft close
- Zinc-coated steel
- Concealed roller carriage with permanently lubricated synthetic rollers
- Available in standard and heavy duty
- H and . series for drawers up to 5/8" side material thickness
- F and A series for drawers up to 3/4" side material thickness
- Elongated holes for depth adjustment
- Bottom mount holes on 15", 18" and 21" standard duty
- Tool-free tilt adjustment
- Tool-free rear side-to-side adjustment

Locking Devices

- Stamped steel or zinc die-cast base with synthetic, spring-loaded release levers
- Captive right device, self-aligning left device
- Self-adjusting drawer length tolerance
- Tool-free height adjustment
- Tool-free front side-to-side adjustment
- Available with depth adjustment
- Available for narrow drawers

Rear Mounting Options

- Zinc-coated steel brackets or nylon sockets
- Depth and lateral self-alignment

One Runner for All Applications

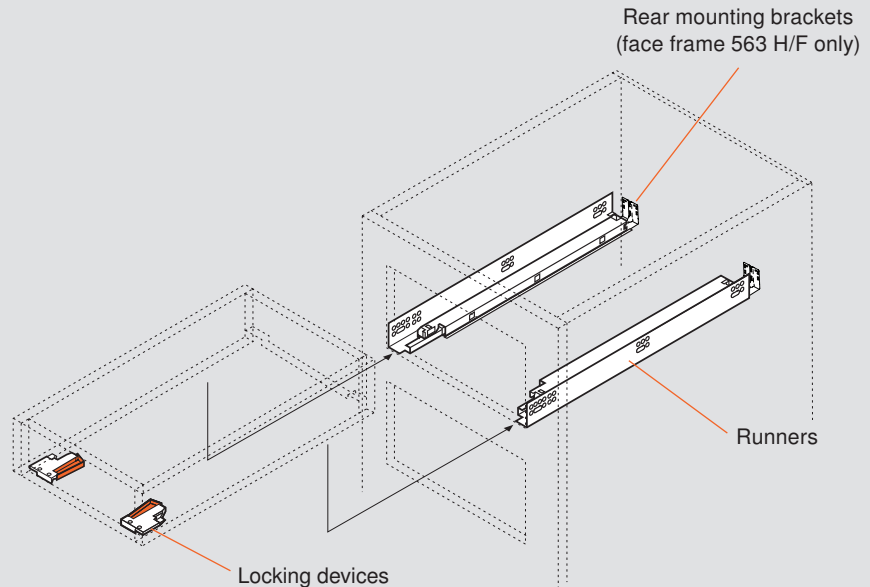
TANDEM runners are designed for the American 3" increment cabinet depth system. This feature permits overlay or inset applications to use the same runner. Full length runners make installation in frameless or face frame cabinets possible.

Load Capacities

- 100 lb static, 90 lb dynamic for TANDEM plus BLUMOTION 563 series
- 150 lb static, 135 lb dynamic for TANDEM plus BLUMOTION 569 series

Drawer components

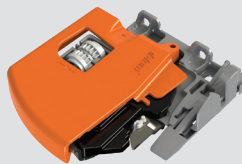
NOTE: For 563. and 569 series, rear brackets and sockets cannot be used. Cabinet sides must be blocked-out flush with the inside of the face frame.



NOTE: Rear mounting brackets used for face frame applications only

Locking devices

Locking devices allow easy insertion and removal of drawers



page 32

Rear mounting options

For use when installing TANDEM runners in face frame cabinets. Not necessary for frameless cabinet installation.



page 34

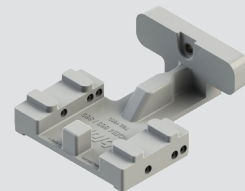
Accessories



page 38

Concealed Runner Template

A required assembly aid for the pre-boring of TANDEM locking device screw holes and rear hook holes

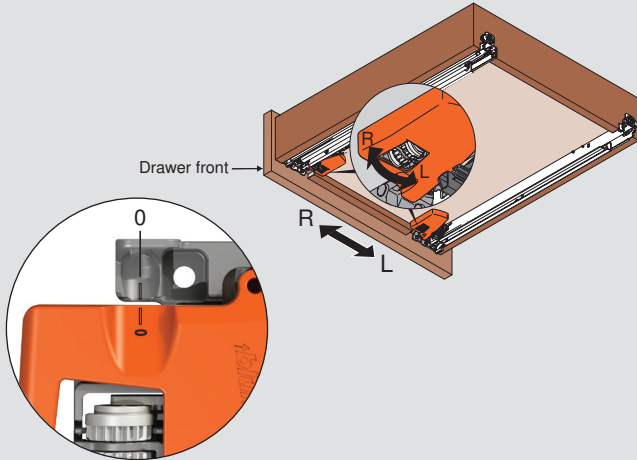


page 40

Front side-to-side adjustment

- 1 Rotate side-to-side adjustment left or right equally on both locking devices. Drawer front moves in the same direction as rotation.

T51.1901.xx with side-to-side adjustment

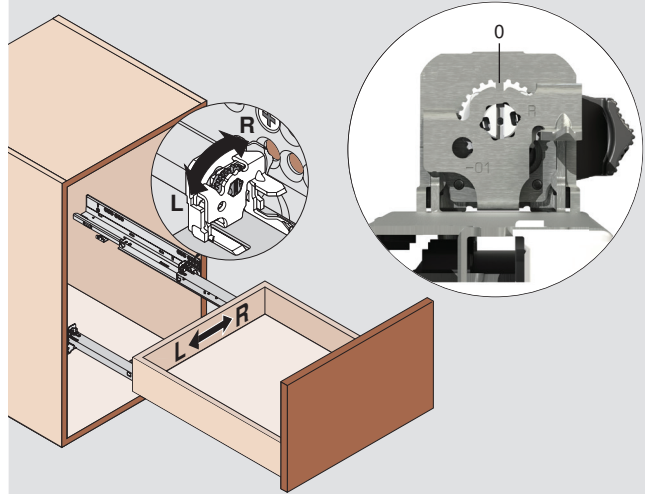


Maximum 1.5 (1/16") to left or right (tool-free)

NOTE: Not available on T51.x8xx locking devices

Rear side-to-side adjustment

- 2 After front side-to-side adjustment is made with the locking devices, rotate the rear side-to-side adjustment left or right to re-align the back of the drawer box with the front. Drawer back moves in the same direction as rotation.



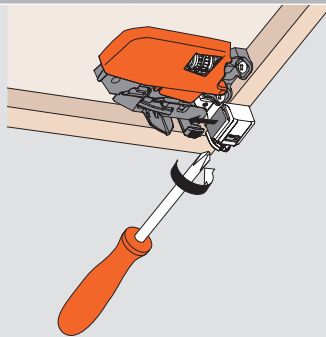
Maximum 1.5 (1/16") to left or right (tool-free)

NOTE: The left rear hook is a different design and allows for drawer width tolerances

Depth adjustable locking device

Locking device
T51.1901.PS
with side-to-side, height
and depth adjustment

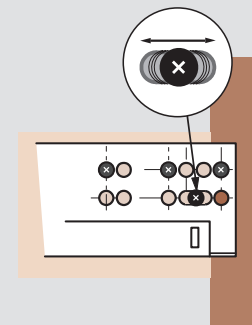
Turning the adjustment screw
allows for up to 2.5 (3/32") out
adjustment



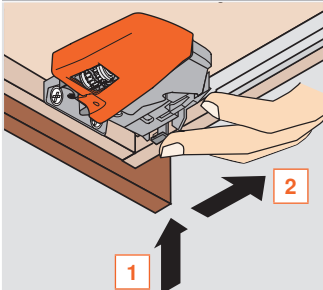
page 32

Depth adjustment on runner

TANDEM 563 and 569 runners feature elongated holes that allow
 ± 4.5 (3/16") depth adjustment



Height adjustment



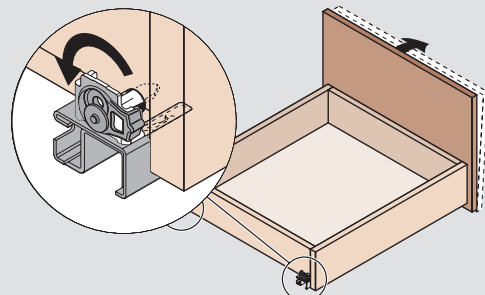
- 1 Press up on adjustment tab
- 2 Push toward back of drawer

Maximum 3 (1/8") rise of drawer front (tool-free)

NOTE: Height adjustment available on all TANDEM locking devices

Tilt adjustment

Rotate the tilt adjustment lever on the rear of each runner to tilt the top
of the drawer front forward



Maximum 5 (3/16") rise of drawer back (tool-free)

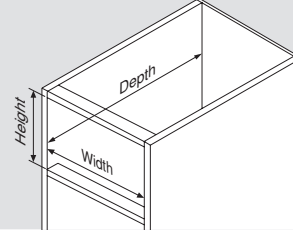


Step 1

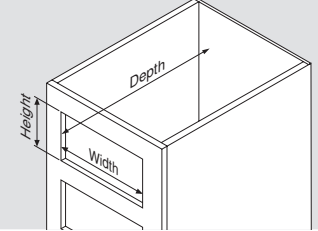
Measure cabinet opening

Cabinet opening measurements are needed to determine drawer box size.

Frameless cabinet



Frame cabinet



Step 2

Select TANDEM runners

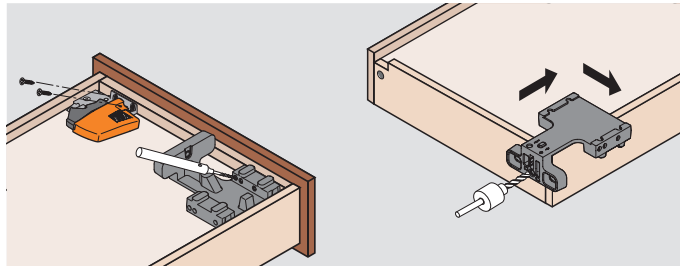
Choose the TANDEM runner that best fits your desired application, drawer side thickness, load capacity and cabinet depth. Then go to the corresponding catalog page for more specific information.

Drawer length	7/8 extension	Full extension with BLUMOTION	Heavy duty full extension with BLUMOTION	
	Maximum drawer thickness	Maximum drawer thickness	5/8"	3/4"
9"	5/8"	5/8"	5/8"	3/4"
12"	554H	563H		
15"		563H and 563.	563F	
18"				
21"				569H
24"				
27"			569.	569A
30"				
Capacity static/dynamic	100/75 lb	100/90 lb*	150/135 lb*	

Step 3

Preparing drawer boxes

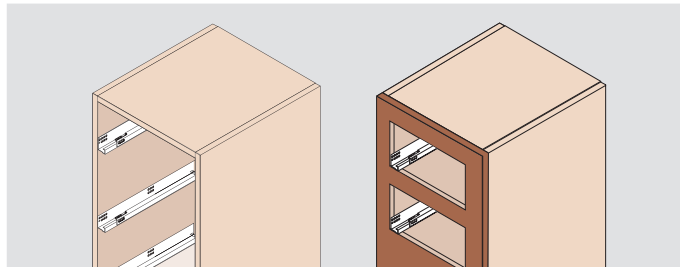
Build drawers according to the specifications given for the TANDEM runners you chose and the measurements determined in Step 1. Install appropriate locking devices and bore holes to accept rear hooks.



Step 4

Attach runners to cabinet

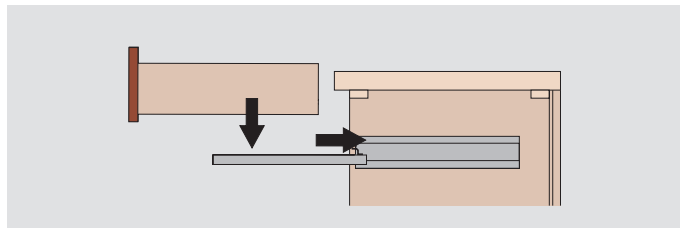
Using the mounting information given for the TANDEM runners you chose, mount the TANDEM runners in the cabinet.



Step 5

Insert drawers

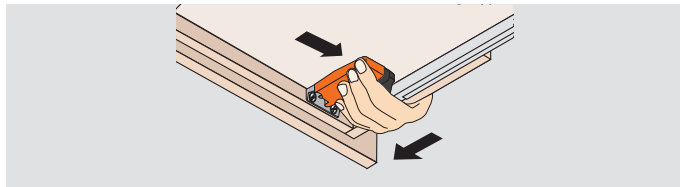
Extend the runners fully. Place the drawer on the runners and close. The locking devices automatically engage with the runners. Make adjustments if necessary.



Step 6

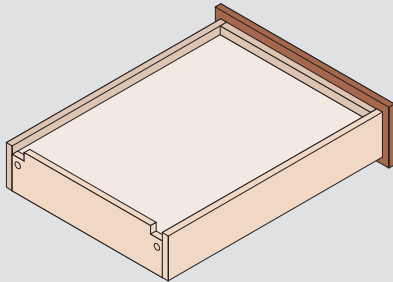
Drawer removal

Squeeze orange handles on locking devices and pull drawer straight out and up.



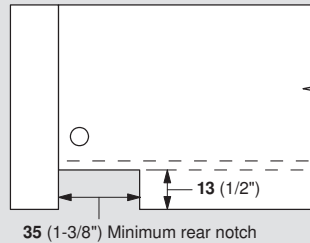
Rear Notching

Dimensions



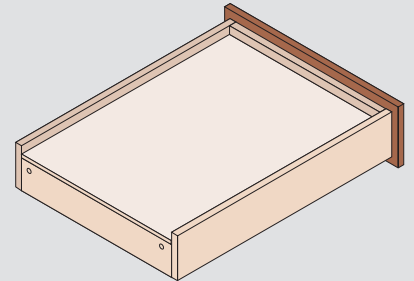
Drawers must be notched in the back to accommodate TANDEM runners

Rear view



The notches must be flush with the drawer sides and bottom

Option – no notching

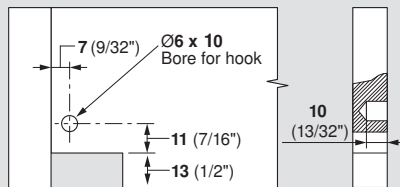


Make the back panel shorter and extend the drawer bottom to the back of the drawer

Rear Boring

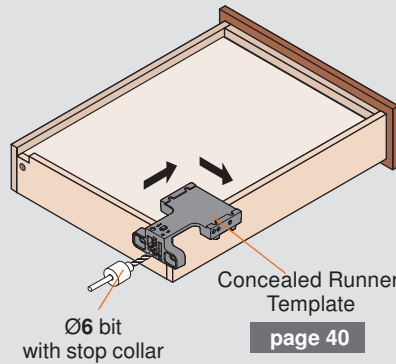
Dimensions

Rear view



Drawers require Ø6 holes bored on each side of the back panel to accept the hooks on the back of TANDEM runners

Boring

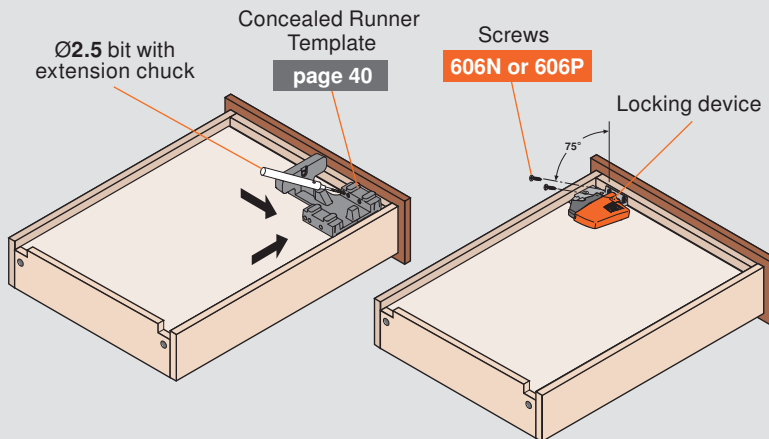


- 1 Place template over the drawer side
- 2 Position template so that the center rib rests against the inside face of the drawer side
- 3 Set stop collar on Ø6 bit so that it will bore 10 (13/32) deep
- 4 Hold template firmly and bore hole
- 5 Repeat on other side

NOTE: Using the T65.1600.01 Concealed Runner Template is highly recommended

Locking Devices

Installation



- 1 Position the Ø2.5 drill bit into the extension chuck so that it will bore 10 (13/32) deep
- 2 Place template into the front corner of the drawer
- 3 Bore two holes and repeat on other side
- 4 Attach locking devices with #6 x 5/8" deep thread wood screws (606N or 606P)

NOTE: The mounting screws must go in at a precise angle and the locking device must fit flush to the drawer bottom to ensure proper function of the complete drawer system

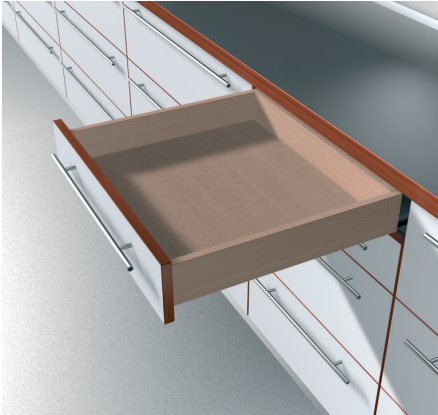
NOTE: Using the T65.1600.01 Concealed Runner Template is highly recommended

TANDEM plus BLUMOTION



TANDEM plus BLUMOTION 563.

Application



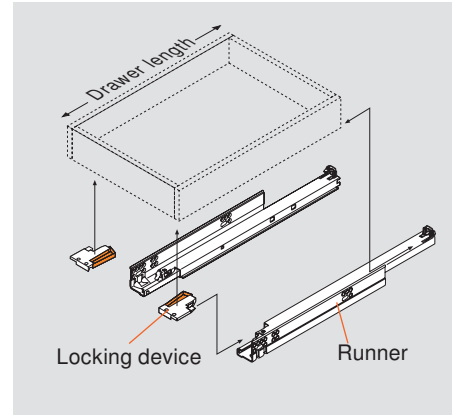
Features

- Four-dimensional adjustment
- Elongated holes for depth adjustment
- Bottom mount holes
- 100 lb static load capacity

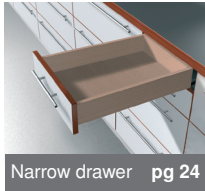
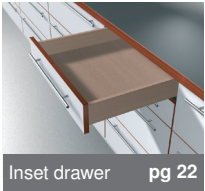
Description

- Full extension concealed runners
- Frameless or blocked-out face frame cabinets
- BLUMOTION soft closing
- TANDEM smooth running action
- Available in 18" and 21" lengths
- 13 (1/2") to 16 (5/8") drawer thickness
- Made in the USA

Basic Components



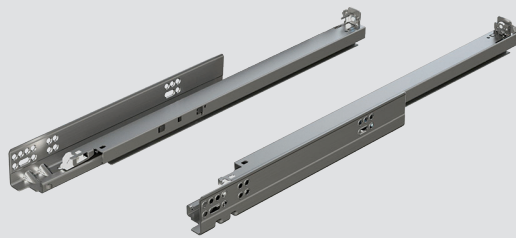
Other Applications



Components

Runner set

One set required per drawer



For overall cabinet depth	Drawer length	TANDEM plus BLUMOTION
610 (24")	533 (21")	563.5330B
533 (21")	457 (18")	563.4570B
Wood screw for installation		606N or 606P
System screw for installation		662.1150.HG

Standard locking device with side-to-side adjustment



- One right and one left required per drawer
- Captive right and self-aligning left device
- Self-adjusting drawer length tolerance
- Steel base with synthetic, spring-loaded release levers
- Minimum inside drawer width 170 (6-11/16")
- Height adjustment +3 (1/8")
- Side-to-side adjustment ±1.5 (1/16")
- For use with 563/569 series runners only or other options see page 32

Part no.

Right locking device **T51.1901 R**

Installation Left locking device **T51.1901 L**

page 11 Installation screw **606N or 606P**

NOTE: For 563. series runners, rear brackets and sockets cannot be used. Cabinet sides must be blocked-out flush with the inside of the frame. See page 13.

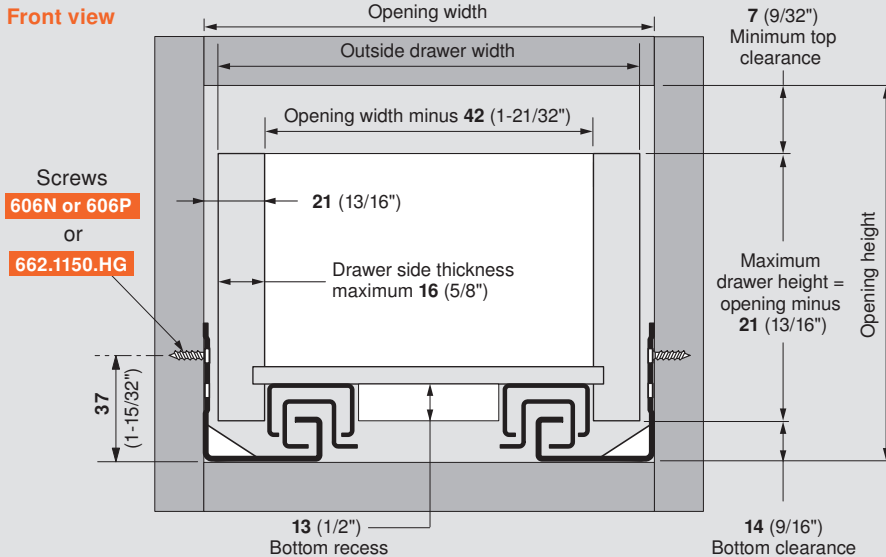
Drawer and Cabinet Specifications

Maximum drawer thickness	16 (5/8")
Lengths available	18" - 21"
Static load capacity	100 lb

TANDEM plus BLUMOTION



Drawer box specifications



NOTE: Drawer side material thickness may vary. Accurate measurement of drawer side material thickness should be used when calculating outside drawer width using the table below. Inside drawer width **must** equal opening width minus 42 (1-21/32") for TANDEM to align and function optimally.

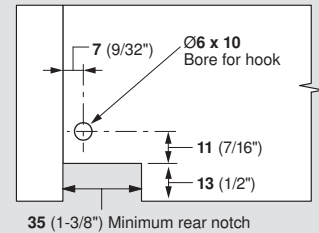
Calculating outside drawer width

For drawer side thickness	16 (5/8")	15 (19/32")	14 (9/16")	13 (1/2")	12 (15/32")
Deduct from opening width	10 (13/32")	12 (15/32")	14 (9/16")	16 (5/8")	18 (23/32")

Example: For 21" opening width and a 5/8" thick drawer, 21" minus 13/32" = 20-19/32" drawer width

Drawer back preparation

Rear view



Runner comparison

Side view



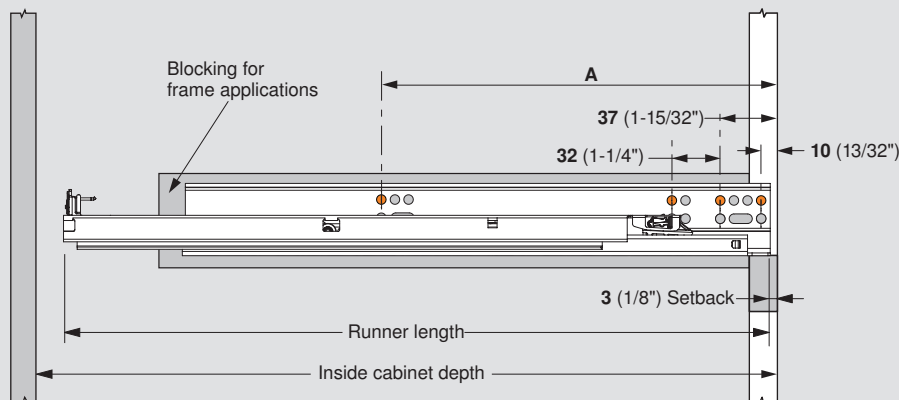
563H



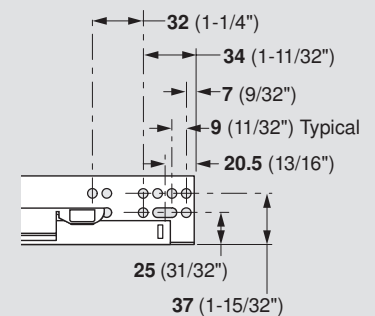
NOTE: Same hole pattern as the 563H

Runner mounting specifications

Side view



Runner close-up



NOTE: Elongated holes are for ± 4.5 (3/16") depth adjustment only. Additional screws must be used to secure the runner to the cabinet.

NOTE: The orange dots indicate fixing screw locations required to meet specified load ratings

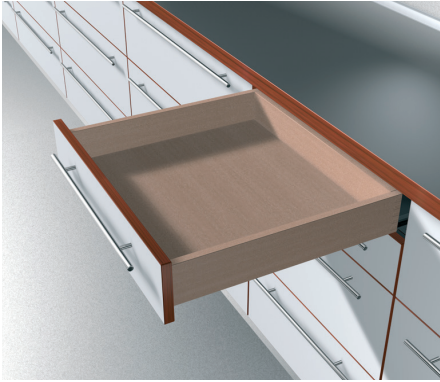
TANDEM plus BLUMOTION	Drawer length	Minimum inside cabinet depth	Runner length	Screw location
				A
563.5330B	533 (21")	557 (21-15/16")	548 (21-9/16")	261 (10-9/32")
563.4570B	457 (18")	480 (18-29/32")	471 (18-17/32")	261 (10-9/32")

TANDEM plus BLUMOTION



TANDEM plus BLUMOTION 563H

Application



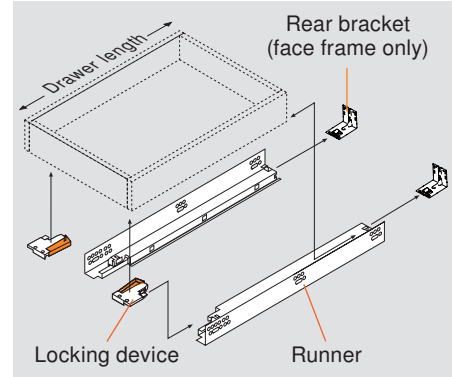
Features

- Four-dimensional adjustment
- Elongated holes for depth adjustment
- Bottom mount holes on 15", 18" and 21"
- 100 lb static load capacity

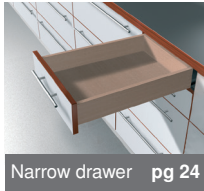
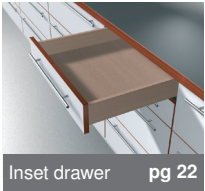
Description

- Full extension concealed runners
- Face frame or frameless cabinets
- BLUMOTION soft closing
- TANDEM smooth running action
- Available in 9" to 21" lengths
- 13 (1/2") to 16 (5/8") drawer thickness
- Made in the USA

Basic Components



Other Applications



Components

Runner set

One set required per drawer



For overall cabinet depth	Drawer length	TANDEM plus BLUMOTION
610 (24")	533 (21")	563H5330B
533 (21")	457 (18")	563H4570B
457 (18")	381 (15")	563H3810B
381 (15")	305 (12")	563H3050B
305 (12")	229 (9")	563H2290B10
Wood screw for installation		606N or 606P
System screw for installation		662.1150.HG

Standard locking device with side-to-side adjustment



- One right and one left required per drawer
- Captive right and self-aligning left device
- Self-adjusting drawer length tolerance
- Steel base with synthetic, spring-loaded release levers
- Minimum inside drawer width 170 (6-11/16")
- Height adjustment +3 (1/8")
- Side-to-side adjustment ±1.5 (1/16")
- For use with 563/569 series runners only
- For other options see page 32

Part no.

Right locking device **T51.1901 R**

Installation Left locking device **T51.1901 L**

page 11 Installation screw **606N or 606P**

Rear mounting bracket for frame cabinets



For use when installing TANDEM runners in face frame cabinets. Not necessary for frameless cabinet installation.

- Two required per drawer
- Depth and lateral self-alignment
- Zinc-coated steel
- For 9" TANDEM rear attachment options see page 35

Part no.

Non-handed bracket **295.3750.03**

Installation screw **606N or 606P**

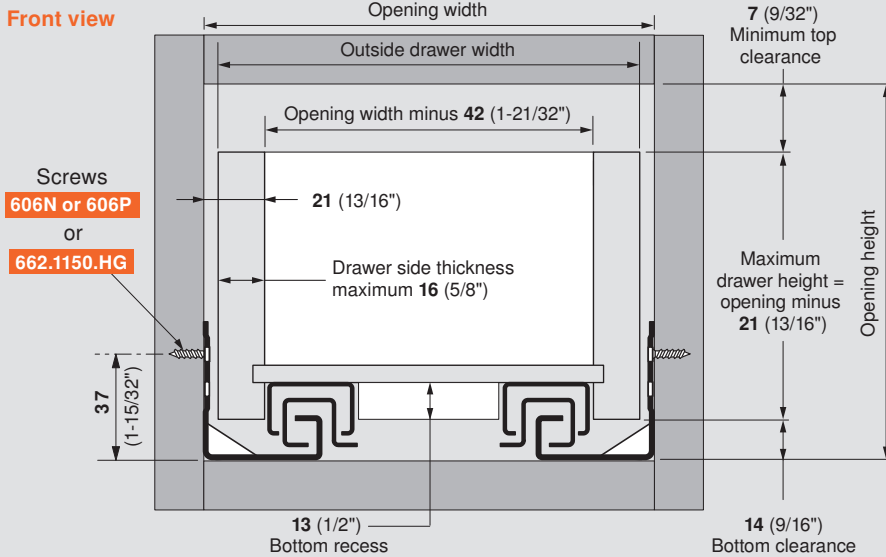
Drawer and Cabinet Specifications

Maximum drawer thickness	16 (5/8")
Lengths available	9" - 21"
Static load capacity	100 lb

TANDEM plus BLUMOTION



Drawer box specifications



NOTE: Drawer side material thickness may vary. Accurate measurement of drawer side material thickness should be used when calculating outside drawer width using the table below. Inside drawer width **must** equal opening width minus 42 (1-21/32") for TANDEM to align and function optimally.

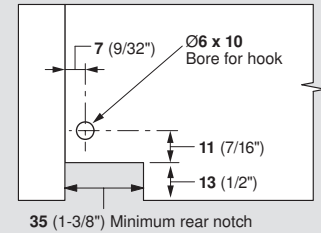
Calculating outside drawer width

For drawer side thickness	16 (5/8")	15 (19/32")	14 (9/16")	13 (1/2")	12 (15/32")
Deduct from opening width	10 (13/32")	12 (15/32")	14 (9/16")	16 (5/8")	18 (23/32")

Example: For 21" opening width and a 5/8" thick drawer, 21" minus 13/32" = 20-19/32" drawer width

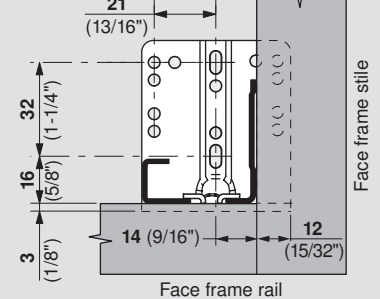
Drawer back preparation

Rear view



Rear mounting bracket

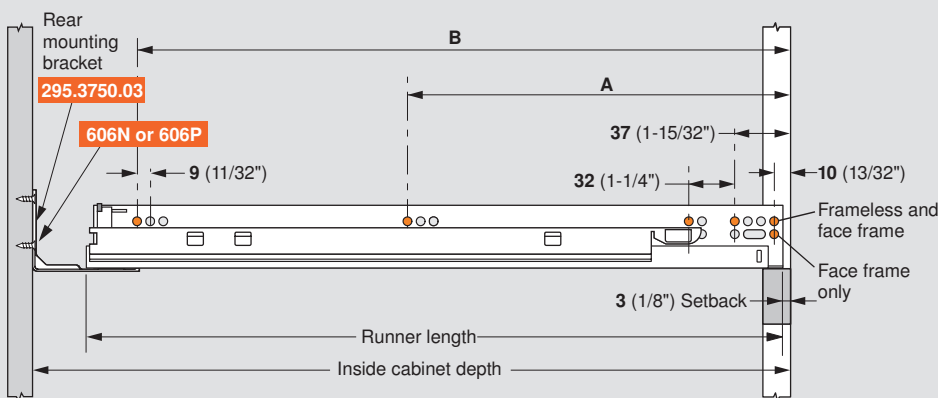
Front view



NOTE: For frame applications, use a minimum of three screws per bracket

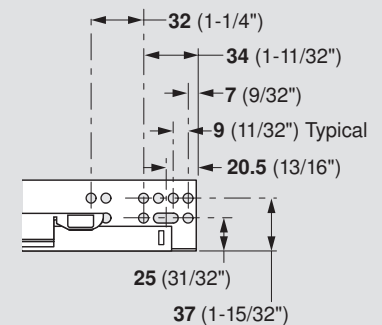
Runner mounting specifications

Side view



NOTE: The orange dots indicate fixing screw locations required to meet specified load ratings

Runner close-up



NOTE: Elongated holes are for ±4.5 (3/16") depth adjustment only. Additional screws must be used to secure the runner to the cabinet.

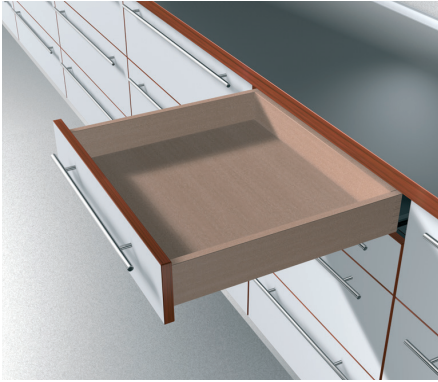
TANDEM plus BLUMOTION	Drawer length	Inside cabinet depth with rear attachment		Runner length	Screw locations for frameless cabinets	
		Maximum	Minimum		A	B
563H5330B	533 (21")	599 (23-19/32")	557 (21-15/16")	548 (21-9/16")	261 (10-9/32")	517 (20-11/32")
563H4570B	457 (18")	522 (20-9/16")	480 (18-29/32")	471 (18-17/32")	261 (10-9/32")	453 (17-27/32")
563H3810B	381 (15")	446 (17-9/16")	404 (15-29/32")	395 (15-9/16")	165 (6-1/2")	357 (14-1/16")
563H3050B	305 (12")	370 (14-9/16")	328 (12-29/32")	319 (12-9/16")	165 (6-1/2")	261 (10-9/32")
563H2290B10	229 (9")	299 (11-25/32")	266 (10-15/32")	259 (10-3/16")	133 (5-1/4")	229 (9")

TANDEM plus BLUMOTION



TANDEM plus BLUMOTION 563F

Application



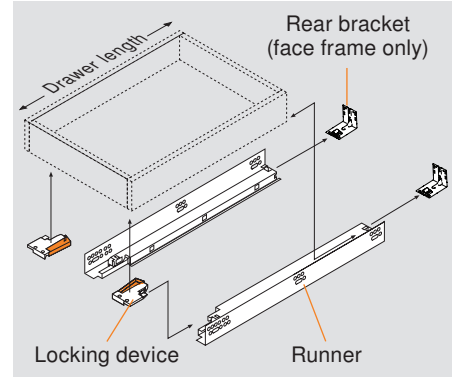
Features

- Four-dimensional adjustment
- Elongated holes for depth adjustment
- Bottom mount holes on 15", 18" and 21"
- 100 lb static load capacity

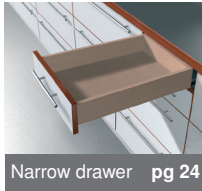
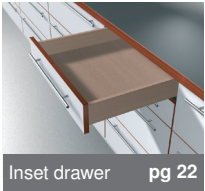
Description

- Full extension concealed runners
- Face frame or frameless cabinets
- BLUMOTION soft closing
- TANDEM smooth running action
- Available in 9" to 21" lengths
- 16 (5/8") to 19 (3/4") drawer thickness
- Made in the USA

Basic Components



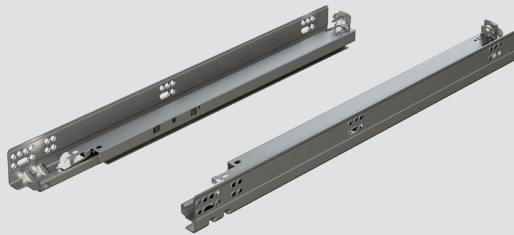
Other Applications



Components

Runner set

One set required per drawer



For overall cabinet depth	Drawer length	TANDEM plus BLUMOTION
610 (24")	533 (21")	563F5330B
533 (21")	457 (18")	563F4570B
457 (18")	381 (15")	563F3810B
381 (15")	305 (12")	563F3050B
305 (12")	229 (9")	563F2290B10
Wood screw for installation		606N or 606P
System screw for installation		662.1150.HG

Standard locking device with side-to-side adjustment



- One right and one left required per drawer
- Captive right and self-aligning left device
- Self-adjusting drawer length tolerance
- Steel base with synthetic, spring-loaded release levers
- Minimum inside drawer width 170 (6-11/16")
- Height adjustment +3 (1/8")
- Side-to-side adjustment ±1.5 (1/16")
- For use with 563/569 series runners only
- For other options see page 32

Part no.

Right locking device **T51.1901 R**

Installation Left locking device **T51.1901 L**

page 11 Installation screw **606N or 606P**

Rear mounting bracket for frame cabinets



For use when installing TANDEM runners in face frame cabinets. Not necessary for frameless cabinet installation.

- Two required per drawer
- Depth and lateral self-alignment
- Zinc-coated steel
- For 9" TANDEM rear attachment options see page 35

Part no.

Non-handed bracket **295.3750.03**

Installation screw **606N or 606P**

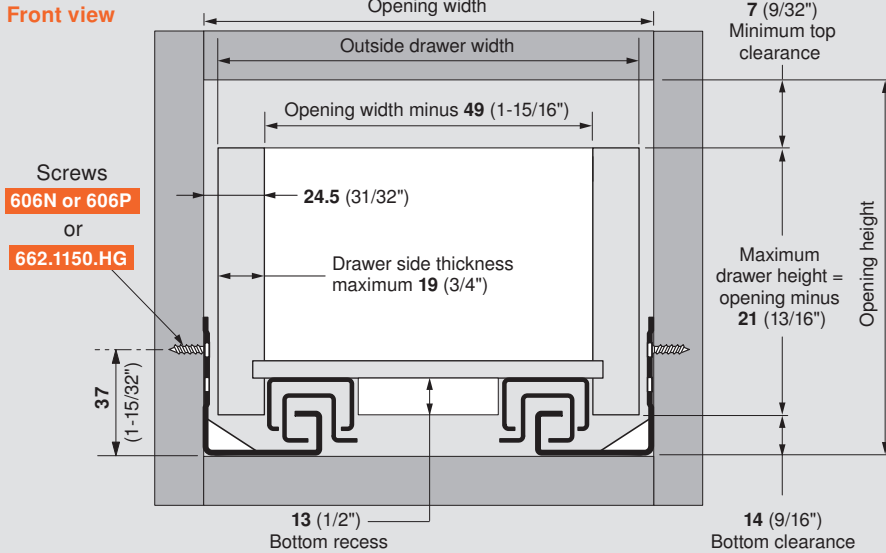
Drawer and Cabinet Specifications

Maximum drawer thickness	19 (3/4")
Lengths available	9" - 21"
Static load capacity	100 lb

TANDEM plus BLUMOTION



Drawer box specifications



NOTE: Drawer side material thickness may vary. Accurate measurement of drawer side material thickness should be used when calculating outside drawer width using the table below. Inside drawer width **must** equal opening width minus 49 (1-15/16") for TANDEM to align and function optimally.

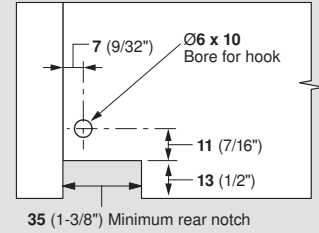
Calculating outside drawer width

For drawer side thickness	19 (3/4")	18 (23/32")	17 (21/32")	16 (5/8")	15 (19/32")
Deduct from opening width	11 (7/16")	13 (1/2")	15 (19/32")	17 (21/32")	19 (3/4")

Example: For 21" opening width and a 3/4" thick drawer, 21" minus 7/16" = 20-9/16" drawer width

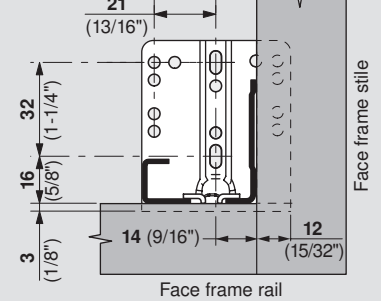
Drawer back preparation

Rear view



Rear mounting bracket

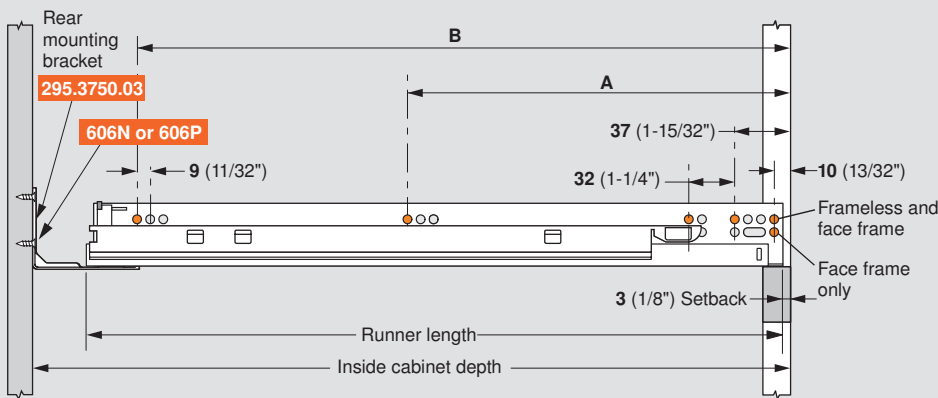
Front view



NOTE: For frame applications, use a minimum of three screws per bracket

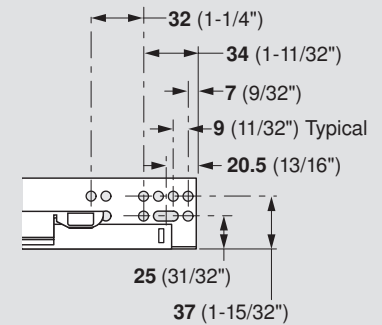
Runner mounting specifications

Side view



NOTE: The orange dots indicate fixing screw locations required to meet specified load ratings

Runner close-up



NOTE: Elongated holes are for ±4.5 (3/16") depth adjustment only. Additional screws must be used to secure the runner to the cabinet.

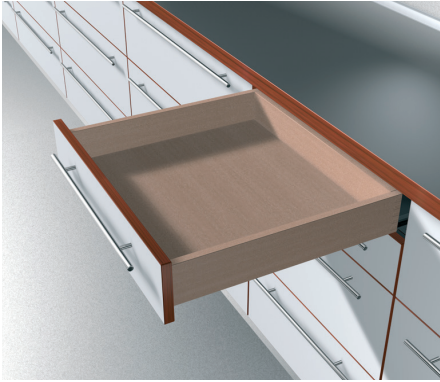
TANDEM plus BLUMOTION	Drawer length	Inside cabinet depth with rear attachment		Runner length	Screw locations for frameless cabinets	
		Maximum	Minimum		A	B
563F5330B	533 (21")	599 (23-19/32")	557 (21-15/16")	548 (21-9/16")	261 (10-9/32")	517 (20-11/32")
563F4570B	457 (18")	522 (20-9/16")	480 (18-29/32")	471 (18-17/32")	261 (10-9/32")	453 (17-27/32")
563F3810B	381 (15")	446 (17-9/16")	404 (15-29/32")	395 (15-9/16")	165 (6-1/2")	357 (14-1/16")
563F3050B	305 (12")	370 (14-9/16")	328 (12-29/32")	319 (12-9/16")	165 (6-1/2")	261 (10-9/32")
563F2290B10	229 (9")	299 (11-25/32")	266 (10-15/32")	259 (10-3/16")	133 (5-1/4")	229 (9")

TANDEM plus BLUMOTION



TANDEM plus BLUMOTION 569H/569. Heavy Duty

Application



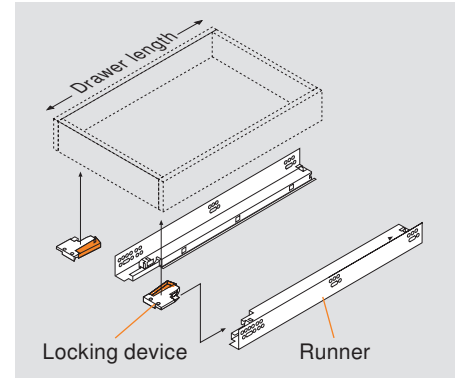
Features

- Four-dimensional adjustment
- Elongated holes for depth adjustment
- 150 lb static load capacity

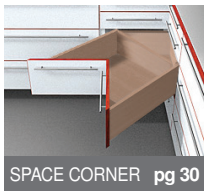
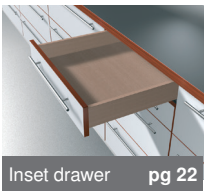
Description

- Full extension concealed runners
- Frameless or blocked-out face frame cabinets
- BLUMOTION soft closing
- TANDEM smooth running action
- Available in 18" to 30" lengths
- 13 (1/2") to 16 (5/8") drawer thickness

Basic Components



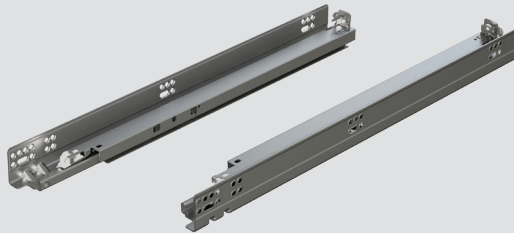
Other Applications



Components

Runner set

One set required per drawer



For overall cabinet depth	Drawer length	TANDEM plus BLUMOTION
838 (33")	762 (30")	569.7620B
762 (30")	686 (27")	569.6860B
686 (27")	610 (24")	569.6100B
610 (24")	533 (21")	569H5330B
533 (21")	457 (18")	569H4570B
Wood screw for installation		606N or 606P
System screw for installation		662.1150.HG

Standard locking device with side-to-side adjustment



- One right and one left required per drawer
- Captive right and self-aligning left device
- Self-adjusting drawer length tolerance
- Steel base with synthetic, spring-loaded release levers
- Minimum inside drawer width 170 (6-11/16")
- Height adjustment +3 (1/8")
- Side-to-side adjustment ±1.5 (1/16")
- For use with 563/569 series runners only
- For other options see page 32

Part no.

Right locking device **T51.1901 R**

Installation Left locking device **T51.1901 L**

page 11 Installation screw **606N or 606P**

NOTE: For heavy duty applications, rear brackets and sockets cannot be used. Cabinet sides must be blocked-out flush with the inside of the frame. See page 19.

Drawer and Cabinet Specifications

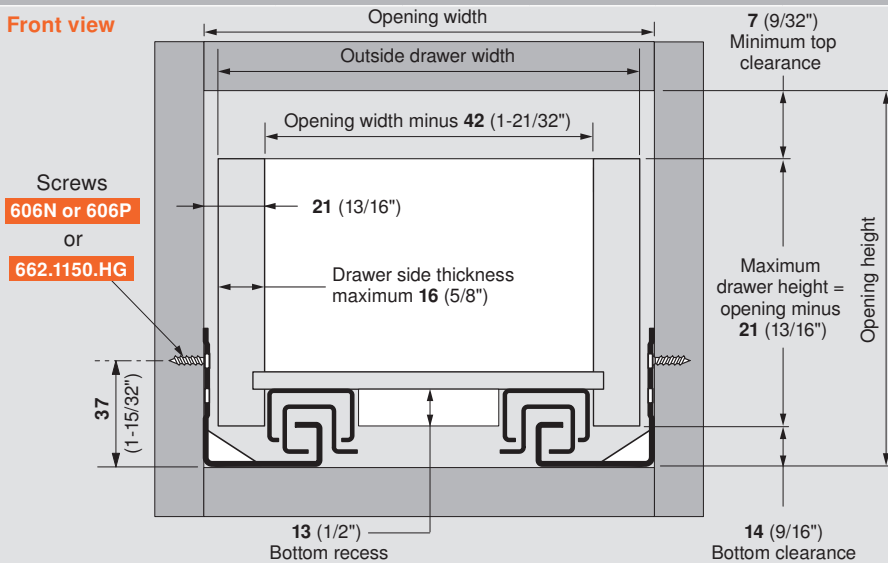
Maximum drawer thickness	16 (5/8")
Lengths available	18" - 30"
Static load capacity	150 lb

TANDEM plus BLUMOTION



Drawer box specifications

Front view



NOTE: Drawer side material thickness may vary. Accurate measurement of drawer side material thickness should be used when calculating outside drawer width using the table below. Inside drawer width **must** equal opening width minus **42 (1-21/32")** for TANDEM to align and function optimally.

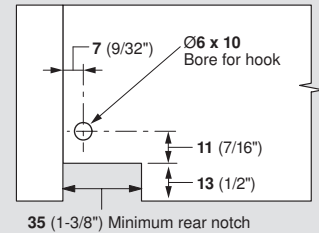
Calculating outside drawer width

For drawer side thickness	16 (5/8")	15 (19/32")	14 (9/16")	13 (1/2")	12 (15/32")
Deduct from opening width	10 (13/32")	12 (15/32")	14 (9/16")	16 (5/8")	18 (23/32")

Example: For 21" opening width and a 5/8" thick drawer, 21" minus 13/32" = 20-19/32" drawer width

Drawer back preparation

Rear view



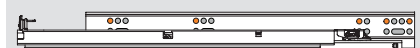
Runner comparison

Side view

569H

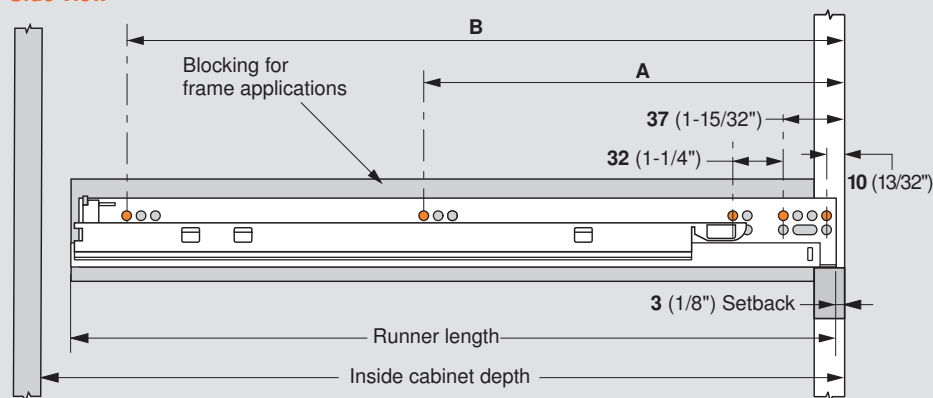


569.

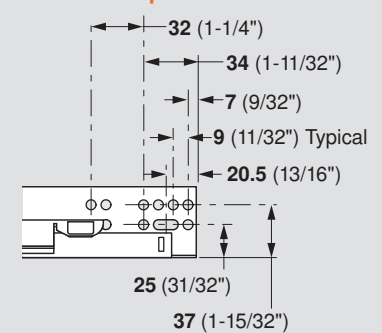


Runner mounting specifications

Side view



Runner close-up



NOTE: Elongated holes are for $\pm 4.5 (3/16)$ depth adjustment only. Additional screws must be used to secure the runner to the cabinet.

NOTE: The orange dots indicate fixing screw locations required to meet specified load ratings

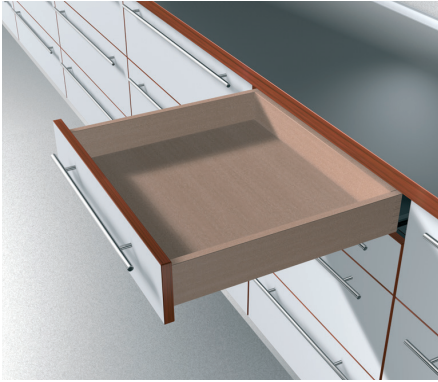
TANDEM plus BLUMOTION	Drawer length	Minimum inside cabinet depth	Runner length	Screw locations for frameless cabinets	
				A	B
569.7620B	762 (30")	786 (30-15/16")	777 (30-19/32")	261 (10-9/32")	389 (15-5/16")
569.6860B	686 (27")	709 (27-29/32")	700 (27-9/16")	261 (10-9/32")	389 (15-5/16")
569.6100B	610 (24")	634 (24-31/32")	625 (24-19/32")	261 (10-9/32")	389 (15-5/16")
569H5330B	533 (21")	557 (21-15/16")	548 (21-9/16")	261 (10-9/32")	517 (20-11/32")
569H4570B	457 (18")	480 (18-29/32")	471 (18-17/32")	261 (10-9/32")	453 (17-27/32")

TANDEM plus BLUMOTION



TANDEM plus BLUMOTION 569F/569A Heavy Duty

Application



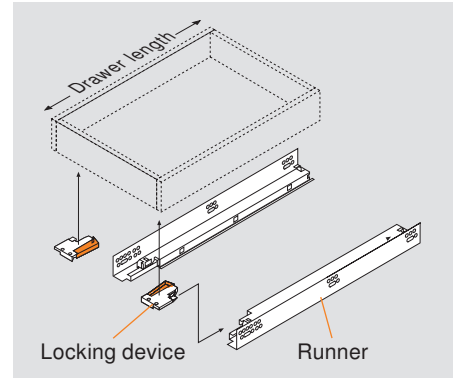
Features

- Four-dimensional adjustment
- Elongated holes for depth adjustment
- 150 lb static load capacity

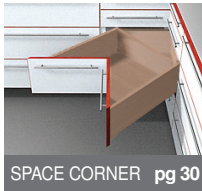
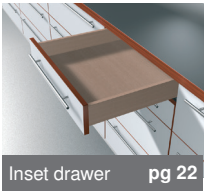
Description

- Full extension concealed runners
- Frameless or blocked-out face frame cabinets
- BLUMOTION soft closing
- TANDEM smooth running action
- Available in 18" to 30" lengths
- 16 (5/8") to 19 (3/4") drawer thickness

Basic Components



Other Applications



Components

Runner set

One set required per drawer



For overall cabinet depth	Drawer length	TANDEM plus BLUMOTION
838 (33")	762 (30")	569A7620B
762 (30")	686 (27")	569A6860B
686 (27")	610 (24")	569A6100B
610 (24")	533 (21")	569F5330B
533 (21")	457 (18")	569F4570B
Wood screw for installation		606N or 606P
System screw for installation		662.1150.HG

Standard locking device with side-to-side adjustment



- One right and one left required per drawer
- Captive right and self-aligning left device
- Self-adjusting drawer length tolerance
- Steel base with synthetic, spring-loaded release levers
- Minimum inside drawer width 170 (6-11/16")
- Height adjustment +3 (1/8")
- Side-to-side adjustment ±1.5 (1/16")
- For use with 563/569 series runners only
- For other options see page 32

Part no.

Right locking device **T51.1901 R**

Installation Left locking device **T51.1901 L**

page 11 Installation screw **606N or 606P**

NOTE: For heavy duty applications, rear brackets and sockets cannot be used. Cabinet sides must be blocked-out flush with the inside of the frame. See page 21.

Drawer and Cabinet Specifications

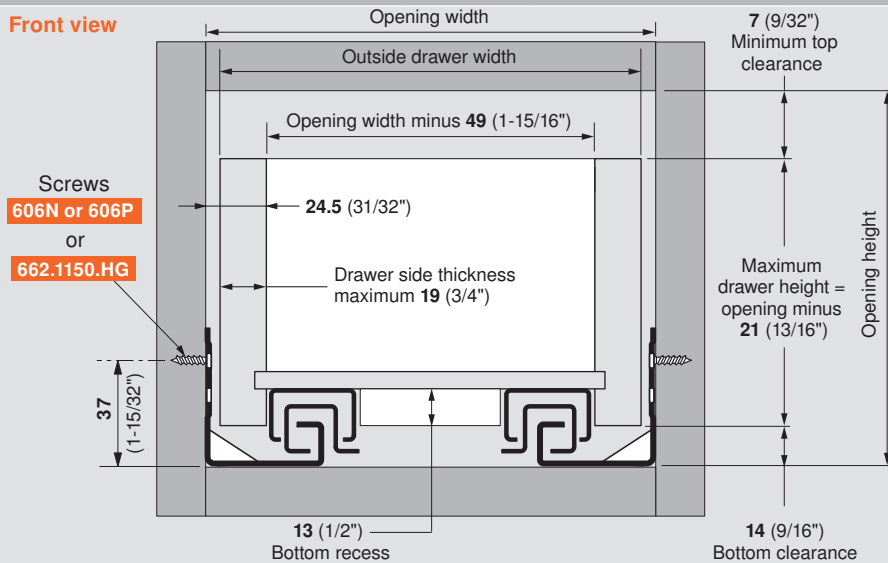
Maximum drawer thickness	19 (3/4")
Lengths available	18" - 30"
Static load capacity	150 lb

TANDEM plus BLUMOTION



Drawer box specifications

Front view



NOTE: Drawer side material thickness may vary. Accurate measurement of drawer side material thickness should be used when calculating outside drawer width using the table below. Inside drawer width **must** equal opening width minus 49 (1-15/16") for TANDEM to align and function optimally.

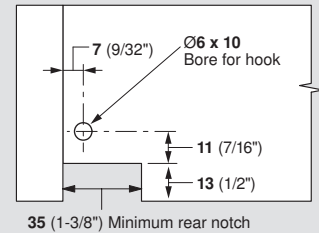
Calculating outside drawer width

For drawer side thickness	19 (3/4")	18 (23/32")	17 (21/32")	16 (5/8")	15 (19/32")
Deduct from opening width	11 (7/16")	13 (1/2")	15 (19/32")	17 (21/32")	19 (3/4")

Example: For 21" opening width and a 3/4" thick drawer, 21" minus 7/16" = 20-9/16" drawer width

Drawer back preparation

Rear view



Runner comparison

Side view

569F

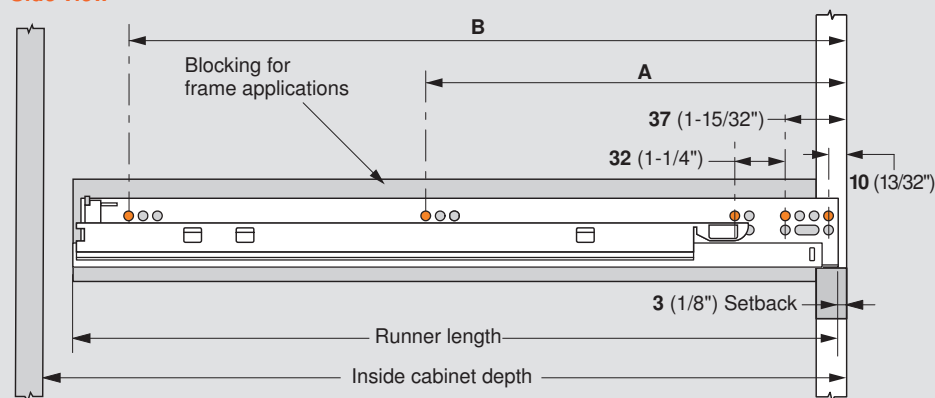


569A

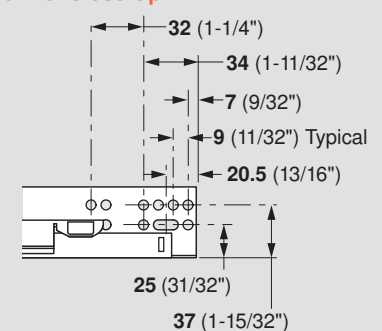


Runner mounting specifications

Side view



Runner close-up



NOTE: Elongated holes are for ±4.5 (3/16") depth adjustment only. Additional screws must be used to secure the runner to the cabinet.

NOTE: The orange dots indicate fixing screw locations required to meet specified load ratings

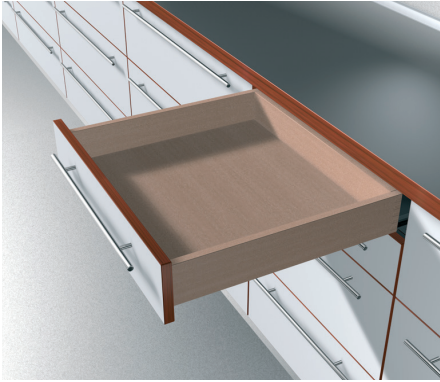
TANDEM plus BLUMOTION	Drawer length	Minimum inside cabinet depth	Runner length	Screw locations for frameless cabinets	
				A	B
569A7620B	762 (30")	786 (30-15/16")	777 (30-19/32")	261 (10-9/32")	389 (15-5/16")
569A6860B	686 (27")	709 (27-29/32")	700 (27-9/16")	261 (10-9/32")	389 (15-5/16")
569A6100B	610 (24")	634 (24-31/32")	625 (24-19/32")	261 (10-9/32")	389 (15-5/16")
569F5330B	533 (21")	557 (21-15/16")	548 (21-9/16")	261 (10-9/32")	517 (20-11/32")
569F4570B	457 (18")	480 (18-29/32")	471 (18-17/32")	261 (10-9/32")	453 (17-27/32")

TANDEM plus BLUMOTION



Inset Drawer

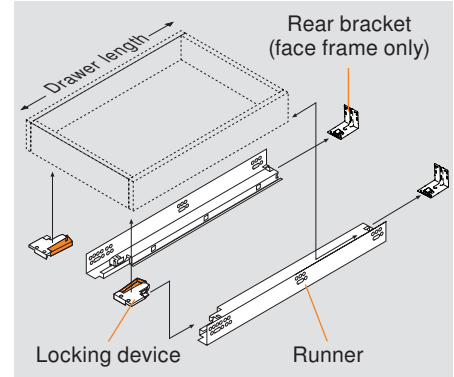
Application



Description

- Uses the same 563 or 569 series runner
- Requires increased setback of the runner
- Frame applications require blocking-out behind the face frame

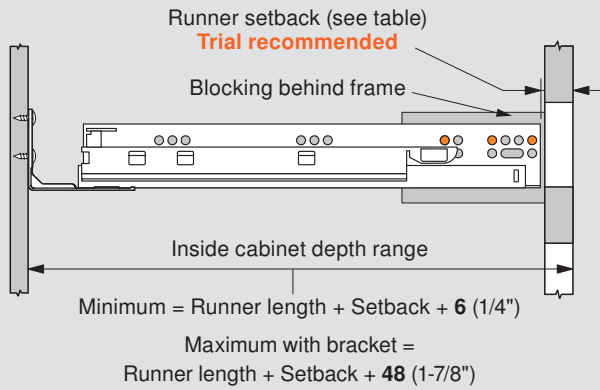
Basic Components



Specifications

Partial block-out

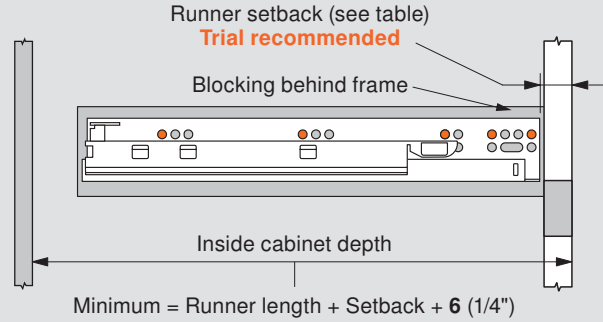
Side view



NOTE: Only for 563 H and F series runners

Complete block-out

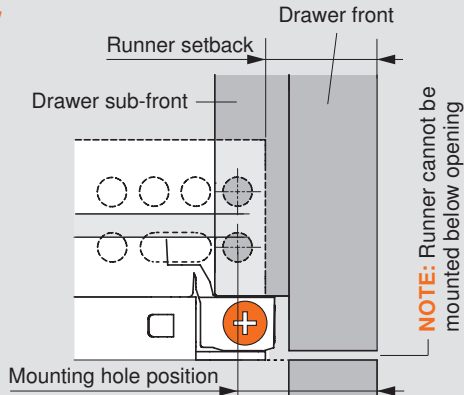
Side view



NOTE: Required for 563. and 569 series runners

Setback information

Side view




NOTE: For mounting hole position add 7 (9/32") to runner setback

Runner Setback Specifications

TANDEM plus BLUMOTION



Runner setback when using depth adjustable locking device (T51.1901.PS)

		563/569 H/.		Runner setback			563/569 F/A		Runner setback		
	Sub-front thickness	13 (1/2")	20 (25/32")	23 (29/32")	26 (1-1/32")	Sub-front thickness	13 (1/2")	17 (21/32")	20 (25/32")	23 (29/32")	
		16 (5/8")	23 (29/32")	26 (1-1/32")	29 (1-5/32")		16 (5/8")	20 (25/32")	23 (29/32")	26 (1-1/32")	
		19 (3/4")	26 (1-1/32")	29 (1-5/32")	32 (1-1/4")		19 (3/4")	23 (29/32")	26 (1-1/32")	29 (1-5/32")	
		Drawer front thickness				Drawer front thickness					
<ul style="list-style-type: none"> Setbacks in this table recess the face of the drawer front inside of the cabinet 1 (1/32") The depth adjustment can then be used to move the drawer front out to its desired position, 2.5 (3/32") out adjustment only 											

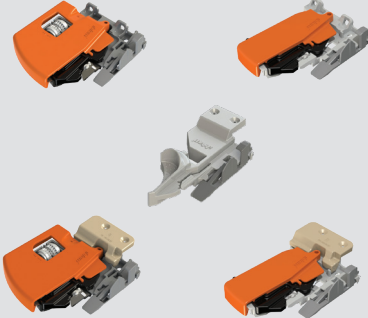
Calculating runner setback

563/569 H/. (sub-front thickness + drawer front thickness minus 9 (11/32") = runner setback)

563/569 F/A (sub-front thickness + drawer front thickness minus 12 (15/32") = runner setback)

NOTE: For mounting hole position, add 7 (9/32") to runner setback

Runner setback when using all other locking devices

		563/569 H/.		Runner setback			563/569 F/A		Runner setback		
	Sub-front thickness	13 (1/2")	17.5 (11/16")	20.5 (13/16")	23.5 (15/16")	Sub-front thickness	13 (1/2")	14.5 (9/16")	17.5 (11/16")	20.5 (13/16")	
		16 (5/8")	20.5 (13/16")	23.5 (15/16")	26.5 (1-1/32")		16 (5/8")	17.5 (11/16")	20.5 (13/16")	23.5 (15/16")	
		19 (3/4")	23.5 (15/16")	26.5 (1-1/32")	29.5 (1-5/32")		19 (3/4")	20.5 (13/16")	23.5 (15/16")	26.5 (1-1/32")	
		Drawer front thickness				Drawer front thickness					
<ul style="list-style-type: none"> Setbacks in this table set the face of the drawer front flush with the face of the cabinet If a depth adjustable locking device is needed, please see the locking device and table above 											

Calculating runner setback

563/569 H/. (sub-front thickness + drawer front thickness minus 11.5 (7/16") = runner setback)

563/569 F/A (sub-front thickness + drawer front thickness minus 14.5 (9/16") = runner setback)

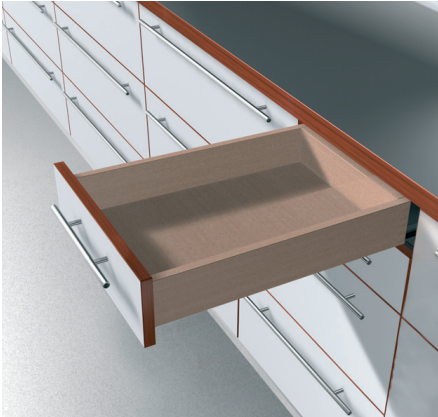
NOTE: For mounting hole position, add 7 (9/32") to runner setback

TANDEM plus BLUMOTION



Narrow Drawer

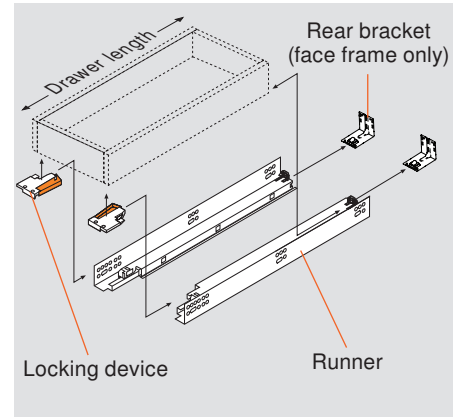
Application



Description

- For inside drawer widths of **95** (3-3/4") to **124** (4-7/8")
- Special narrow locking device required
- Maximum dynamic load rating for narrow drawer locking device is 25 lb
- Minimum **16** (5/8") sub-front thickness

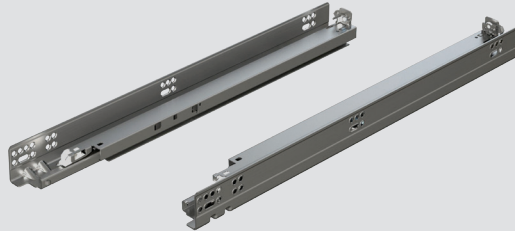
Basic Components



Components

Runner set

One set required per drawer



Narrow drawer applications are possible with any TANDEM plus BLUMOTION runner. See the installation instructions for the runner used.

TANDEM plus BLUMOTION

563. series	page 12
563H series	page 14
563F series	page 16

Narrow drawer locking device



- One right and one left required per drawer
- For use with narrow drawers
- Maximum dynamic load capacity 25 lb
- Self-adjusting drawer length tolerance
- Vertical mount, two-piece nylon
- Minimum inside drawer width **95** (3-3/4")
- Height adjustment **+3** (1/8")
- Minimum sub-front thickness **16** (5/8")
- Designed for **13** (1/2") drawer bottom recess
- For use with 563/569 series runners only

Part no.

Right locking device **T51.0801.20 R**

Installation Left locking device **T51.0801.20 L**

page 25 Installation screw **606N or 606P**

Rear mounting bracket for frame cabinets



For use when installing TANDEM runners in face frame cabinets. Not necessary for frameless cabinet installation.

- Two required per drawer
- Depth and lateral self-alignment
- Zinc-coated steel
- For 9" TANDEM rear attachment options, see page 35

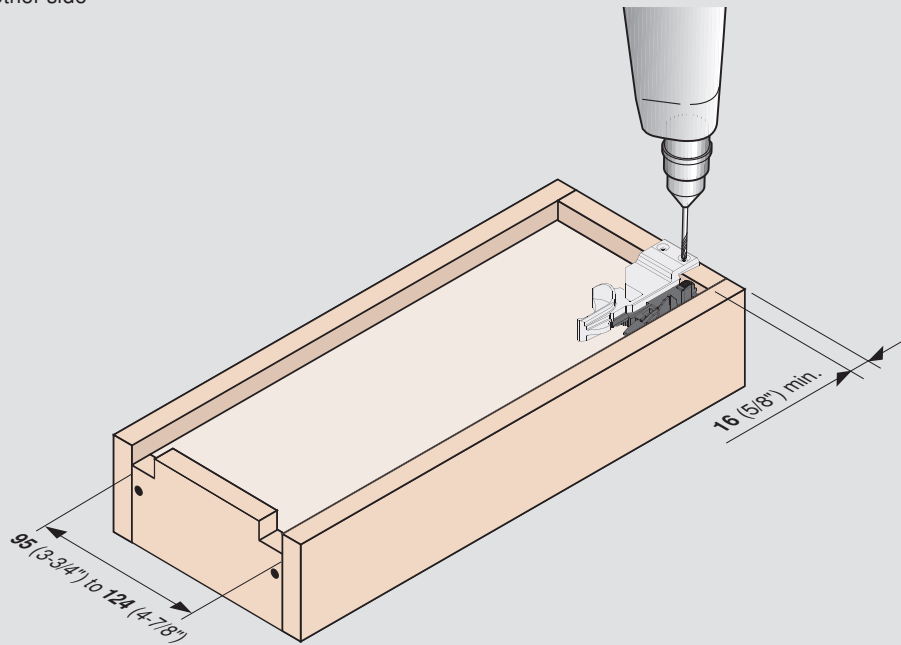
Part no.

Non-handed bracket **295.3750.03**

Installation screw **606N or 606P**

Attach locking devices

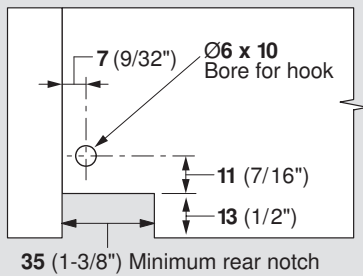
- 1 Position locking device in front corner of the drawer
- 2 Pre-bore locking device mounting screw holes with $\varnothing 2.5$ piloting bit
- 3 Attach with two 606N or 606P screws
- 4 Repeat on the other side



NOTE: A minimum of 16 (5/8") sub-front thickness is required for mounting the narrow drawer locking device

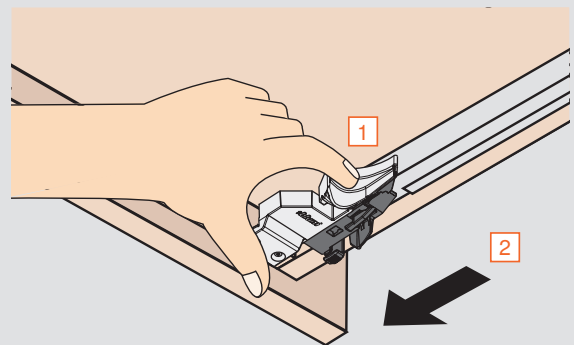
Drawer back preparation

Rear view



Drawer removal

- 1 Squeeze release levers on locking devices
- 2 Pull drawer straight out and up



TANDEM plus BLUMOTION



Lateral stabilizer for 563/569

Application



Description

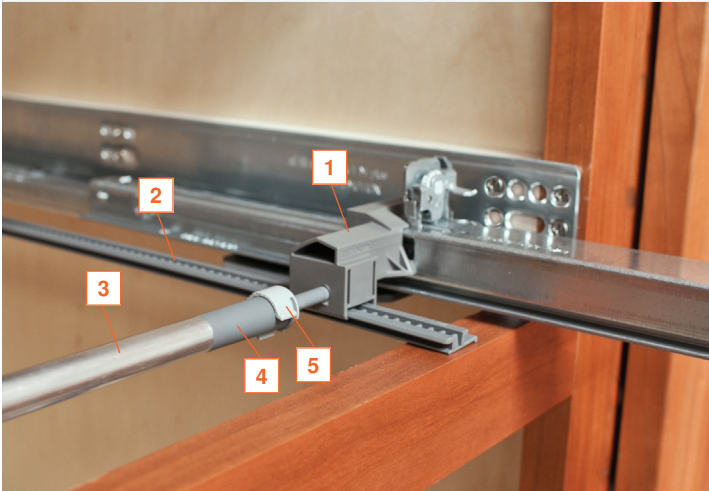
- Increases lateral stability
- Synchronizes left and right runners to prevent drawer racking
- Ideal for wide applications using TANDEM 563/569 H./, and F/A series
- Does not increase load capacity

Specifications

- Frameless and blocked-out face frame applications **229** (9") to **686** (27") length drawers
- Face frame applications with rear attachment **305** (12") to **533** (21") length drawers
- Recommended for opening widths **610** (24") and wider



Lateral stabilizer set



Set includes:

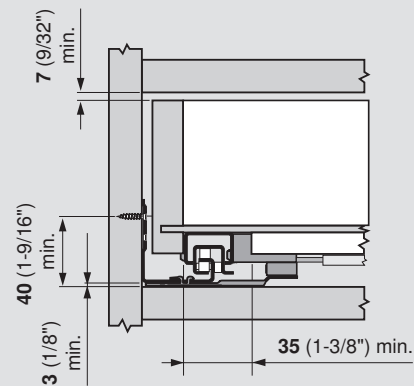
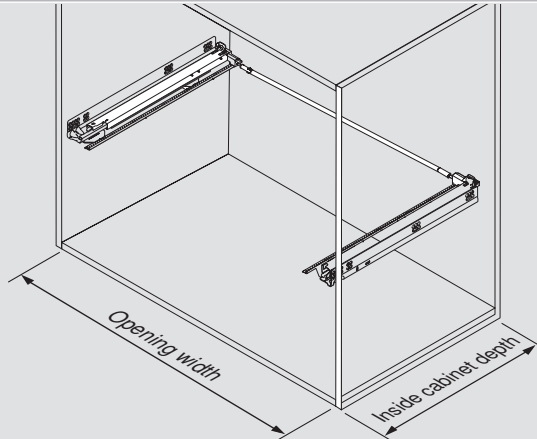
- 1 Pinion housing (qty 2)
 - 2 Gear rack with locating tabs (qty 2)
 - 3 Linkage rod, length **1054** (41-1/2")
 - 4 Pinion adapter (qty 2)
 - 5 Locking clip (qty 2)
- Installation instructions

Part no.

Lateral stabilizer set

ZST.686TU01

Space requirements

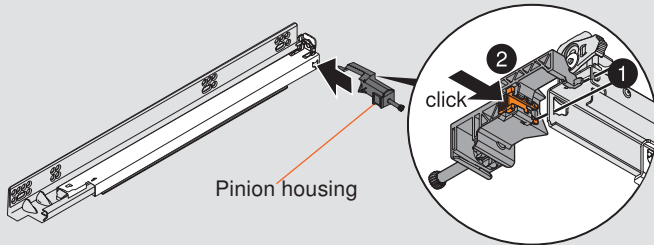


- Maximum opening width **1352** (53-7/32")
- Minimum inside cabinet depth = setback + runner length + **18** (23/32")

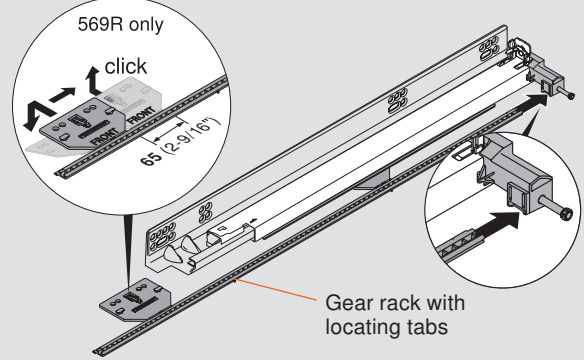
NOTE: TANDEM runners will sit **3** (1/8") higher when using the lateral stabilizer in bottom mount applications and may have to be raised for some bottom mount drawer applications using SERVO-DRIVE

Step 1 – Attach left and right pinion housings

- 1 Insert locating pins into TANDEM runner
- 2 Press orange locking clips to lock into place

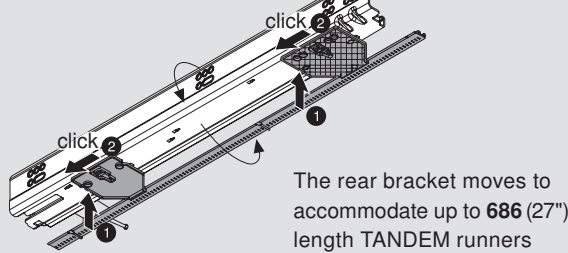


Step 2 – Slide gear racks into pinion housings

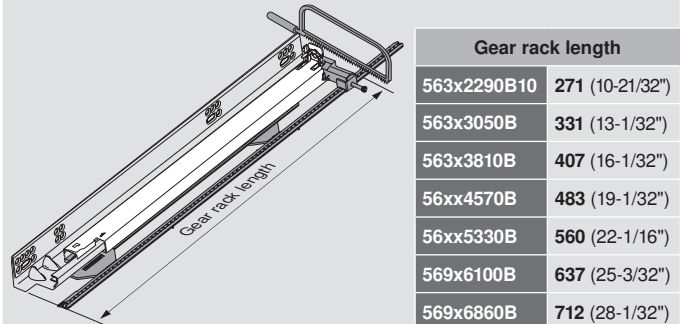


Step 3 – Install gear racks

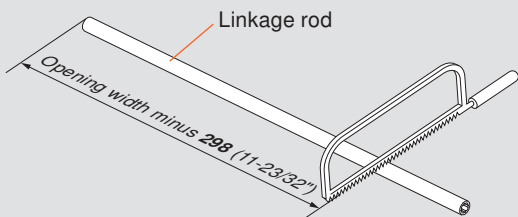
- 1 Insert locating tabs into cut-outs on bottom of runners
- 2 Slide backward to lock into place



Step 4 – Cut gear racks to length

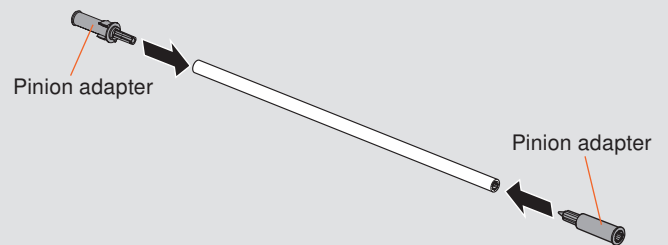


Step 5 – Cut linkage rod to length



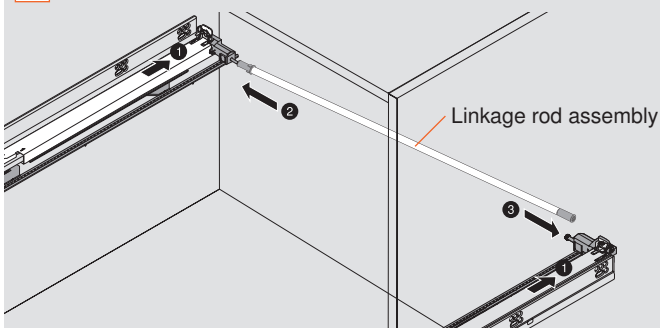
Linkage rod length equals opening width minus **298 (11-23/32")**

Step 6 – Press pinion adaptors into linkage rod



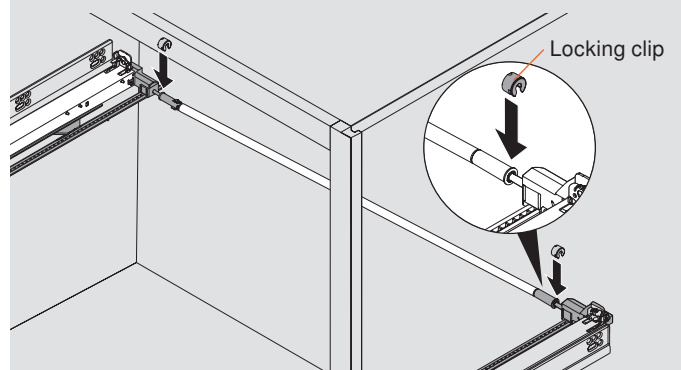
Step 7 – Install linkage rod assembly

- 1 Close drawer runners
- 2 Slide linkage rod assembly left onto left pinion
- 3 Slide right pinion adapter onto right pinion



Step 8 – Install locking clips

Install locking clips on both adapters



TANDEM plus BLUMOTION



Pull-Out Shelf Lock

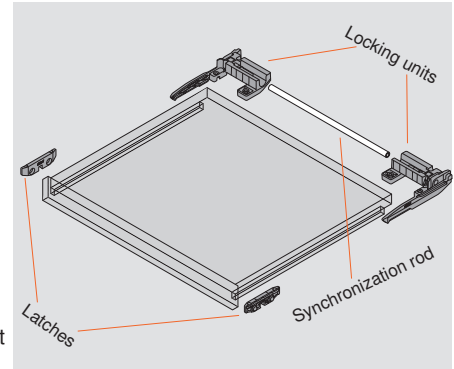
Application



Description

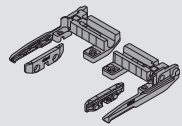
- For TANDEM 563 H./, 569H./, and all MOVENTO runners
- Can be combined with TIP-ON BLUMOTION
- Two-sided locking for secure hold
- Can be released with one hand from either side of the shelf
- Easy installation with self-aligning components
- No change to runner installation
- Can be easily integrated into the existing manufacturing processes
- Designed for use in frameless or blocked-out face frame applications only at this time

Basic components



Components

Pull-out shelf lock set

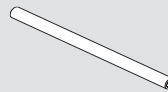


- Nylon, Orion gray material
- Set Includes:
 - 2 locking units (install with wood screws)
 - 2 latches (install with wood or system screws)
 - Installation instructions
 - Not designed for TANDEM plus BLUMOTION 9" length runners

Part no.

Pull-out shelf lock set	295H5700
Wood screw	606N or 606P
System screw	661.1450.HG

Synchronization rod

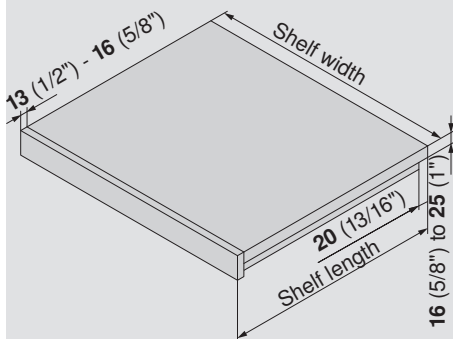


- Natural color
- Aluminum material
- Opening width:
 - Minimum = **212** (8-3/8")
 - Maximum = **1176** (46-5/16")
- Length **1089** (42-7/8"), cut to size
- Pull-out shelf lock can be released with one hand thanks to the synchronization rod

Synchronization rod	ZST.1089W
---------------------	------------------

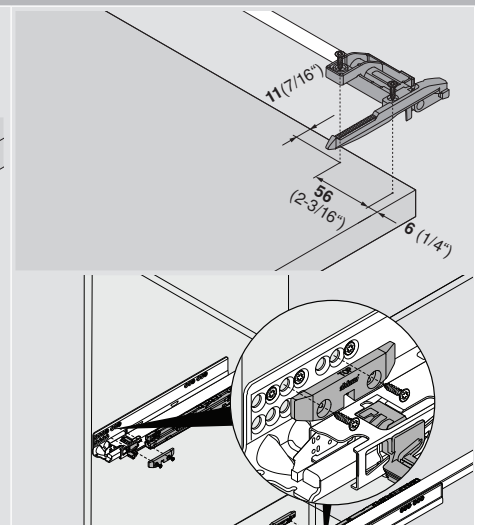
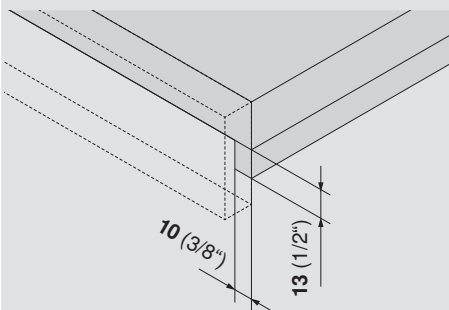
NOTE: Length = opening width minus **87** (3-7/16")

Pull-out shelf assembly



- Shelf width = opening width minus **22** (7/8")
- Shelf length = specified length for runner minus **28** (1-1/8")

Front view



Bottom Mount Drawer

TANDEM plus BLUMOTION



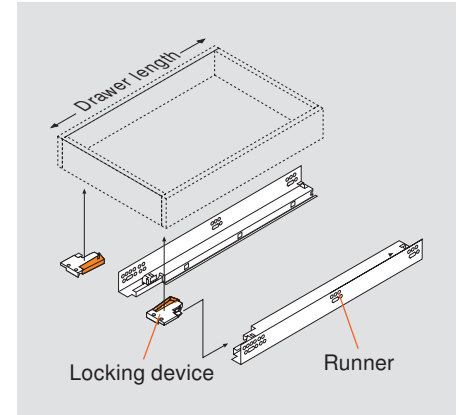
Application



Description

- Use 563H, 563, or 563F series in 15", 18" and 21" lengths
- Face frame or frameless cabinets
- Application is possible with any TANDEM 563/569 locking device
- 13 (1/2") to 19 (3/4") drawer thickness
- 100 lb static load capacity

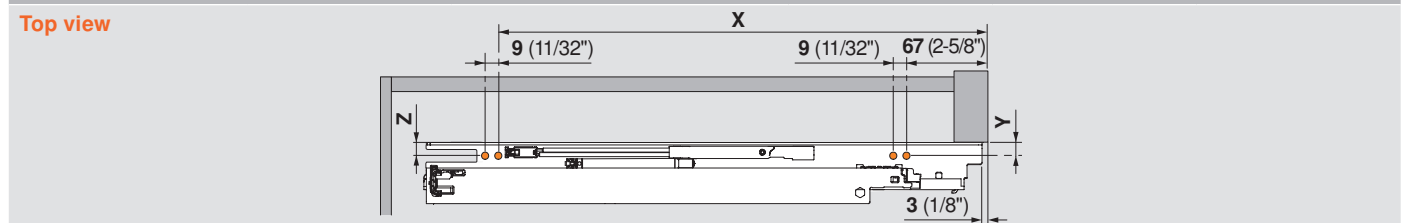
Basic Components



Components

Runner set				
One set required per drawer				
	Maximum drawer material thickness	For overall cabinet depth	Drawer length	TANDEM plus BLUMOTION
	16 (5/8")	610 (24")	533 (21")	563.5330B
		533 (21")	457 (18")	563.4570B
		610 (24")	533 (21")	563H5330B
		533 (21")	457 (18")	563H4570B
	19 (3/4")	457 (18")	381 (15")	563H3810B
		610 (24")	533 (21")	563F5330B
		533 (21")	457 (18")	563F4570B
		457 (18")	381 (15")	563F3810B
	Wood screw for installation			606N or 606P
	System screw for installation			662.1150.HG

Runner mounting specifications



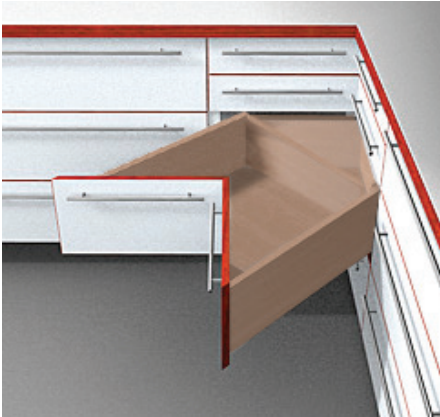
TANDEM plus BLUMOTION	Drawer length	Minimum inside cabinet depth	X	Y	Z
563.5330B	533 (21")	557 (21-15/16")	358 (14-3/32")	12 (15/32")	19 (3/4")
563.4570B	457 (18")	480 (18-29/32")	358 (14-3/32")	12 (15/32")	19 (3/4")
563H5330B	533 (21")	557 (21-15/16")	448 (17-5/8")	12 (15/32")	19 (3/4")
563H4570B	457 (18")	480 (18-29/32")	378 (14-7/8")	12 (15/32")	19 (3/4")
563H3810B	381 (15")	404 (15-29/32")	319 (12-9/16")	12 (15/32")	19 (3/4")
563F5330B	533 (21")	557 (21-15/16")	448 (17-5/8")	15.5 (5/8")	22.5 (7/8")
563F4570B	457 (18")	480 (18-29/32")	378 (14-7/8")	15.5 (5/8")	22.5 (7/8")
563F3810B	381 (15")	404 (15-29/32")	319 (12-9/16")	15.5 (5/8")	22.5 (7/8")

TANDEM plus BLUMOTION



SPACE CORNER

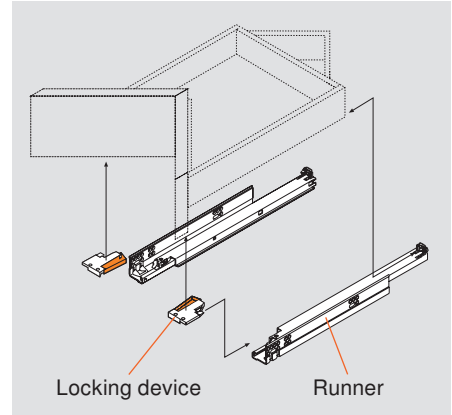
Application



Description

- Use longer length heavy duty TANDEM plus BLUMOTION runners
- Requires special cabinet and drawer construction (see note below)
- For **16** (5/8") maximum drawer side material use 569. series
- For **19** (3/4") maximum drawer side material use 569A series
- 150 lb static load capacity

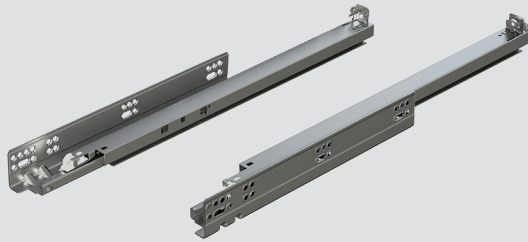
Basic Components



Components

Runner set

One set required per drawer



Sample SPACE CORNER drawer and cabinet plans are available for download at blum.com

Corner cabinet size	Maximum 16 (5/8") drawer side thickness	Maximum 19 (3/4") drawer side thickness
36", 39" or 42"	569.6860B	569A6860B
Wood screw for installation		606N or 606P
System screw for installation		662.1150.HG

NOTE: SPACE CORNER requires special cabinet and drawer construction. See suggestions on cabinet construction at blum.com.

Standard locking device with side-to-side adjustment



- One right and one left required per drawer
- Captive right and self-aligning left device
- Self-adjusting drawer length tolerance
- Steel base with synthetic, spring-loaded release levers
- Minimum inside drawer width **170** (6-11/16")
- Height adjustment **+3** (1/8")
- Side-to-side adjustment ± 1.5 (1/16")
- For use with 563/569 series runners only
- For other options see page 32

Part no.

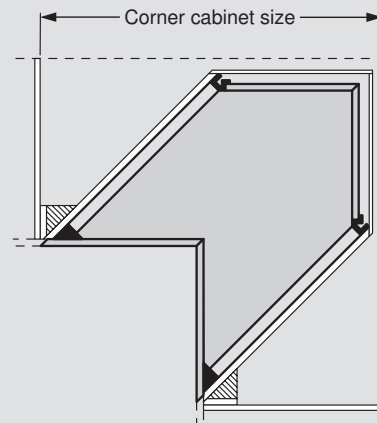
Right locking device **T51.1901 R**

Installation Left locking device **T51.1901 L**

page 11 Installation screw **606N or 606P**

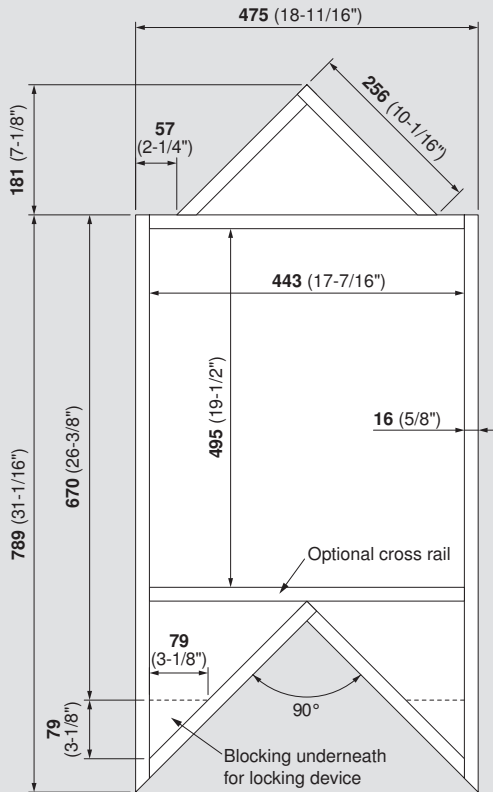
Measuring corner cabinet size

Top view



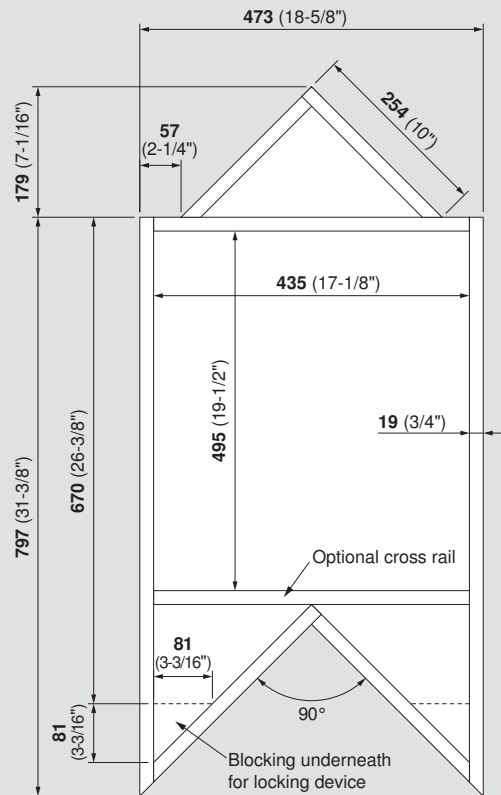
For a 39" SPACE CORNER using 5/8" material and 569.6860B

Top view



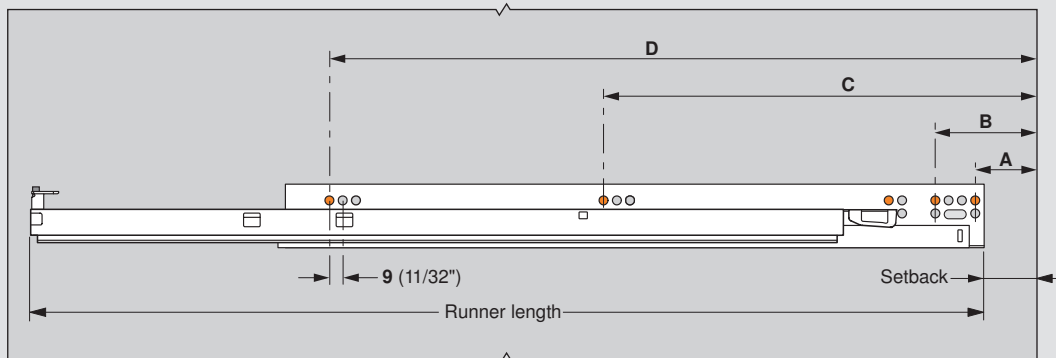
For a 39" SPACE CORNER using 3/4" material and 569A6860B

Top view



Mounting locations

Side view



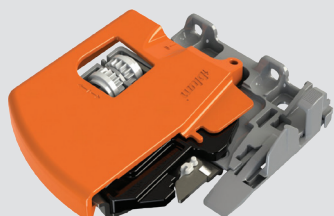
NOTE: Detailed drawings for cabinet construction are available at blum.com

TANDEM plus BLUMOTION	Drawer material	Setback	A	B	C	D
569.6860B	16 (5/8")	107 (4-7/32")	114 (4-1/2")	141 (5-9/16")	365 (14-3/8")	493 (19-13/32")
569A6860B	19 (3/4")	116 (4-9/16")	123 (4-27/32")	150 (5-29/32")	374 (14-23/32")	502 (19-3/4")

With Side-to-Side Adjustment

Standard

One right and one left required per drawer



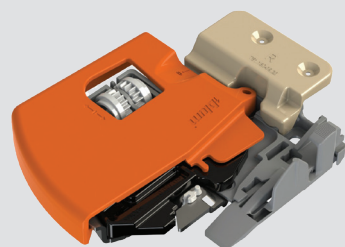
- Captive right device and self-aligning left device
- Self-adjusting drawer length tolerance
- Steel base with synthetic, spring-loaded release levers
- Minimum inside drawer width **170** (6-11/16")
- Height adjustment **+3** (1/8")
- Side-to-side adjustment ± 1.5 (1/16")

Part no.

Right locking device	T51.1901 R
Left locking device	T51.1901 L
Installation screw	606N or 606P

Vertical mount

One right and one left required per drawer



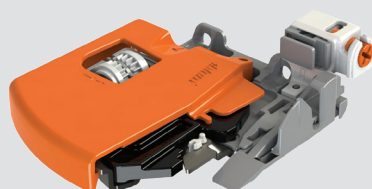
- Vertical mount locking device used to minimize sub-front splitting
- Captive right device and self-aligning left device
- Self-adjusting drawer length tolerance
- Steel base with synthetic, spring-loaded release levers
- Minimum inside drawer width **170** (6-11/16")
- Height adjustment **+3** (1/8")
- Side-to-side adjustment ± 1.5 (1/16")
- Minimum sub-front thickness **16** (5/8")
- Designed for **13** (1/2") drawer bottom recess

Part no.

Right locking device	T51.1901.20 R
Left locking device	T51.1901.20 L
Installation screw	606N or 606P

Depth adjustable

One right and one left required per drawer



- Captive right device and self-aligning left device
- Self-adjusting drawer length tolerance
- Steel base with synthetic, spring-loaded release levers
- Minimum inside drawer width **170** (6-11/16")
- Height adjustment **+3** (1/8")
- Side-to-side adjustment ± 1.5 (1/16")
- Depth adjustment **+2.5** (3/32"), preset at **0**
- Minimum sub-front thickness **13** (1/2")
- Designed for **13** (1/2") drawer bottom recess
- Integrated **3** (1/8") distance bumper for inset or overlay SERVO-DRIVE applications

Part no.

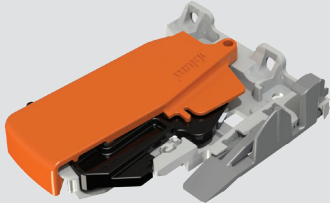
Right locking device	T51.1901.PS R
Left locking device	T51.1901.PS L
Installation screw	606N or 606P



Without Side-to-Side Adjustment

Standard

One right and one left required per drawer



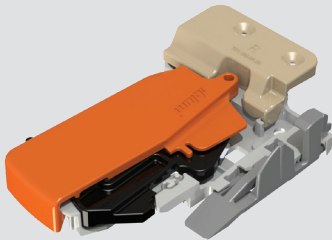
- For use with standard applications
- Captive right device and self-aligning left device
- Self-adjusting drawer length tolerance
- Zinc die-cast with synthetic, spring-loaded release levers
- Minimum inside drawer width **124** (4-7/8")
- Height adjustment **+3** (1/8")

Part no.

Right locking device	T51.1801 R
Left locking device	T51.1801 L
Installation screw	606N or 606P

Vertical mount

One right and one left required per drawer



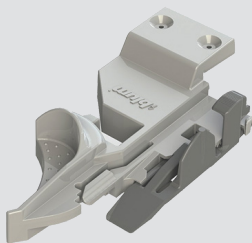
- Vertical mount locking device used to minimize sub-front splitting
- Captive right device and self-aligning left device
- Self-adjusting drawer length tolerance
- Zinc die-cast with synthetic, spring-loaded release levers
- Minimum inside drawer width **124** (4-7/8")
- Height adjustment **+3** (1/8")
- Minimum sub-front thickness **16** (5/8")
- Designed for **13** (1/2") drawer bottom recess

Part no.

Right locking device	T51.1801.20 R
Left locking device	T51.1801.20 L
Installation screw	606N or 606P

Narrow drawer

One right and one left required per drawer



- For use with narrow drawers
- Maximum dynamic load capacity 25 lb
- Captive right device and self-aligning left device
- Self-adjusting drawer length tolerance
- Vertical mount, two-piece nylon
- Minimum inside drawer width **95** (3-3/4")
- Height adjustment **+3** (1/8")
- Minimum sub-front thickness **16** (5/8")
- Designed for **13** (1/2") drawer bottom recess

Part no.

Right locking device	T51.0801.20 R
Left locking device	T51.0801.20 L
Installation screw	606N or 606P

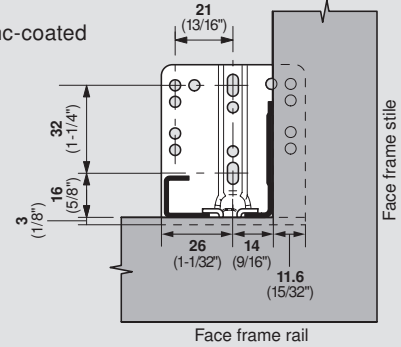


Screw-on bracket

Two required per drawer



- For TANDEM 554 and 563 H/F series runners only
- Lateral self-alignment 3 (1/8")
- Non-handed, one-piece stamped steel design, zinc-coated
- Use at least three #6 wood screws
- Not for use with 563 series 9" runners



Part no.

Screw-on bracket

295.3750.03

NOTE: Illustration is for 563 series

Installation screw

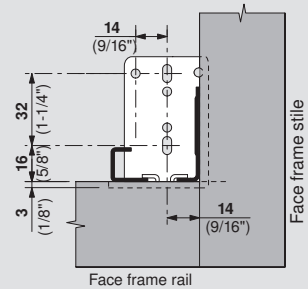
606N or 606P

Narrow screw-on bracket

Two required per drawer



- For TANDEM 554 and 563 H/F series runners only
- For applications with side recess space limitations (end panel)
- Maximum dynamic load capacity 45 lb
- Lateral self-alignment 3 (1/8")
- Non-handed, one-piece stamped steel design, zinc-coated
- Maximum inside cabinet depth is 15 (19/32") less than 295.3750.03 allows
- Use at least three #6 wood screws
- Not for use with 563 series 9" runners



Part no.

Screw-on bracket

295.3550.01

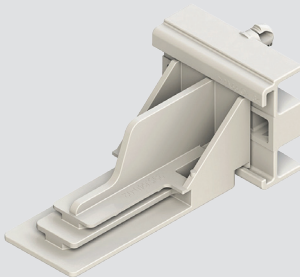
NOTE: Illustration is for 563 series

Installation screw

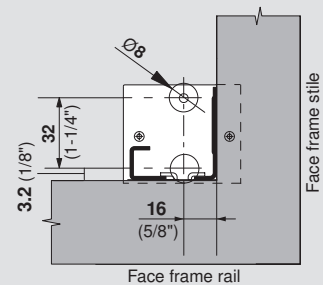
606N or 606P

Plug-in socket

Two required per drawer



- For TANDEM 563 H/F series runners only
- Lateral self-alignment feature
- Non-handed, two-piece design
- Synthetic, natural color
- Non-detachable 8 (5/16") dowels, 9.5 (3/8") long
- 6 (1/4") minimum back panel thickness
- Use at least two #6 flat head wood screws
- Not for use with 9" runners



Part no.

Plug-in socket

295.6410

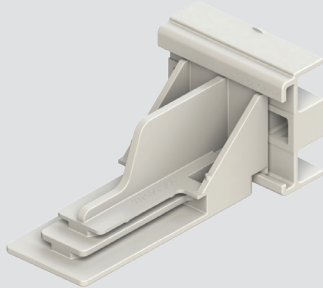
Installation screw

606N or 606P

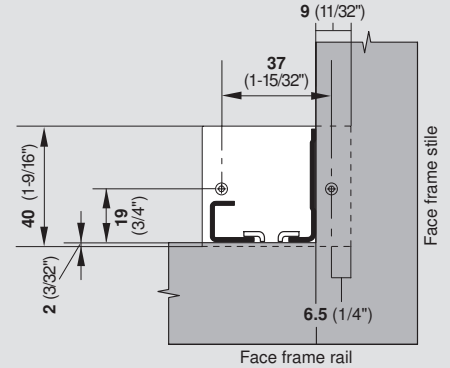


Screw-on socket

Two required per drawer



- For TANDEM 563 H/F series runners only
- Lateral self-alignment
- Non-handed, two-piece design
- Synthetic, natural color
- Use two #6 flat head wood screws
- Not for use with 9" runners



Part no.

Screw-on socket

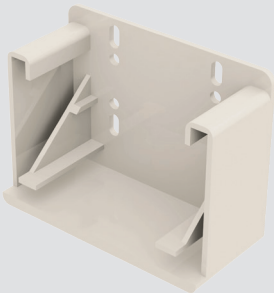
295.6400

Installation screw

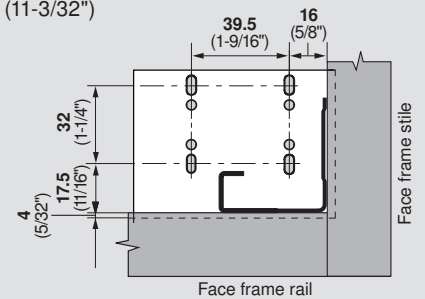
606N or 606P

Screw-on socket for 9" TANDEM plus BLUMOTION runners

Two required per drawer



- For TANDEM 563 H/F series 9" runners only
- For use only when installing 9" runners in face frame cabinets
- For inside cabinet depths 266 (10-15/32") to 282 (11-3/32")
- Minimum opening width 156 (6-5/32")
- Lateral self-alignment
- Non-handed, one piece design
- Synthetic, natural color
- Use at least three #6 wood screws



Part no.

Screw-on socket

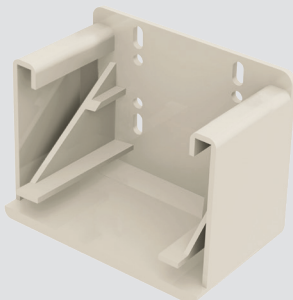
295.3700.21

Installation screw

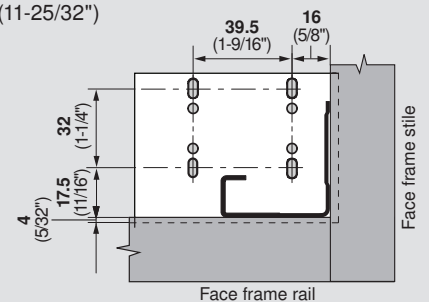
606N or 606P

Screw-on socket for 9" TANDEM plus BLUMOTION runners

Two required per drawer



- For TANDEM 563 H/F series 9" runners only
- For use only when installing 9" runners in face frame cabinets
- For inside cabinet depths 283 (11-5/32") to 299 (11-25/32")
- Minimum opening width 156 (6-5/32")
- Lateral self-alignment
- Non-handed, one piece design
- Synthetic, natural color
- Use at least three #6 wood screws



Part no.

Screw-on socket

295.3700.22

Installation screw

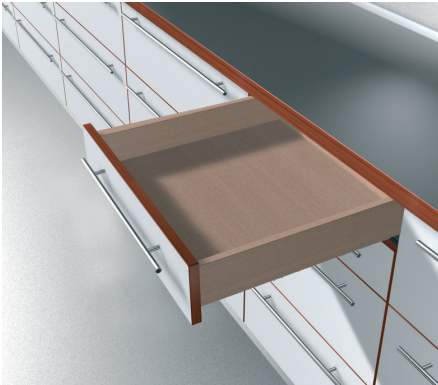
606N or 606P

TANDEM plus BLUMOTION



TANDEM edge BLUMOTION 554H

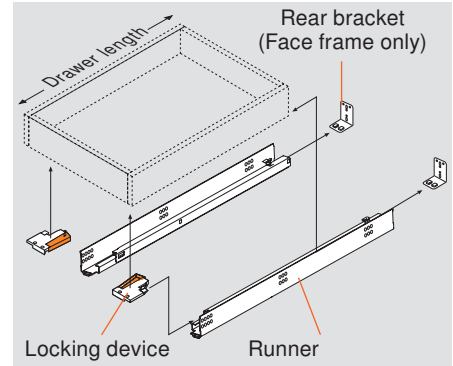
Application



Description

- 7/8 extension concealed runners
- Face frame or frameless cabinets
- BLUMOTION soft closing
- TANDEM smooth running action
- Available in 9" to 21" lengths
- 13 (1/2") to 16 (5/8") drawer thickness
- Locking devices enable easy drawer insertion and removal
- Static load capacity 100 lb

Basic components



Components

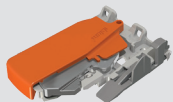
Runner set

One set required per drawer



For overall cabinet depth	Drawer length	TANDEM edge BLUMOTION
610 (24")	533 (21")	554H5330B01
533 (21")	457 (18")	554H4570B01
457 (18")	381 (15")	554H3810B01
381 (15")	305 (12")	554H3050B01
305 (12")	229 (9")	554H2290B01
Wood screw for installation		707N
System screw for installation		661.1300.HG

Standard locking device



- One right and one left required per drawer
- Minimum inside drawer width 121 (4-3/4")
- Height adjustment +3 (1/8")
- For TANDEM edge BLUMOTION series runners only

Part no.

Right locking device	T51.1700.04 R
Left locking device	T51.1700.04 L
Installation screw	612TH

Screw-on bracket for frame cabinets



For use when installing TANDEM runners in face frame cabinets. Not necessary for frameless cabinet installation.

- Two required per drawer
- Depth and lateral self-alignment
- Zinc-coated steel
- Non-handed bracket

Part no.

Screw-on bracket	295.3750.03
Installation screw	612TH

Standard locking device

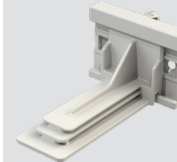


- One right and one left required per drawer
- Minimum inside drawer width 121 (4-3/4")
- Part numbers are subject to change
- For TANDEM edge BLUMOTION series runners only

Part no.

Right locking device	T51.1400 R
Left locking device	T51.1400 L
Installation screw	606N

Plug-in socket for frame cabinets



For use when installing TANDEM edge BLUMOTION runners in face frame cabinets. Not necessary for frameless cabinet installation.

- Two required per drawer
- Lateral self-alignment
- Non-handed, two-piece design

Part no.

Plug-in socket	295.6510.21
Installation screw	606P

Drawer and Cabinet Specifications

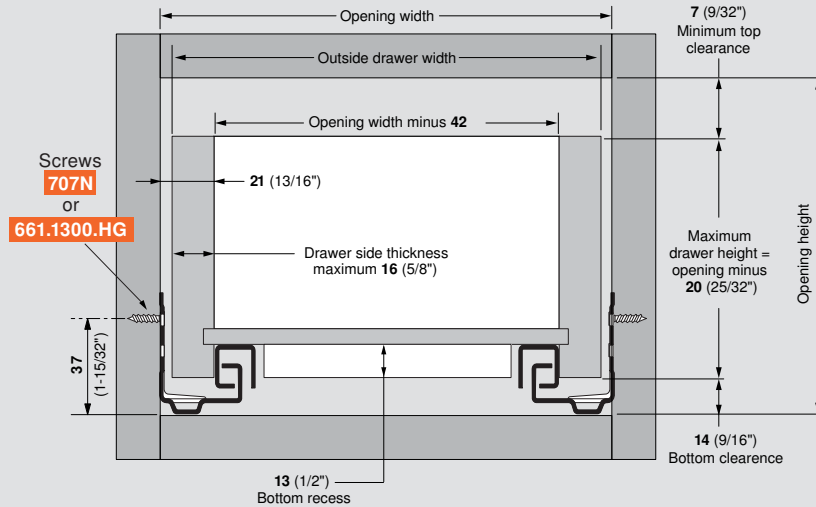
Maximum drawer thickness	16 (5/8")
Lengths available	9" - 21"
Static load capacity	100 lb

TANDEM plus BLUMOTION



Drawer box specifications

Front view



NOTE: Drawer side material thickness may vary. Accurate measurement of drawer side material thickness should be used when calculating outside drawer width using the table below. Inside drawer width must equal opening width minus 42 (1-21/32") for TANDEM to align and function optimally.

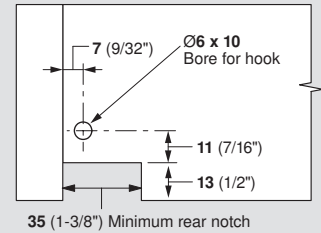
Calculating outside drawer width

For drawer side thickness	16 (5/8")	15 (19/32")	14 (9/16")	13 (1/2")	12 (15/32")
Deduct from inside cabinet width	10 (13/32")	12 (15/32")	14 (9/16")	16 (5/8")	18 (23/32")

Example: For 21" inside cabinet width and a 5/8" thick drawer, 21" minus 13/32" = 20 - 19/32" drawer width

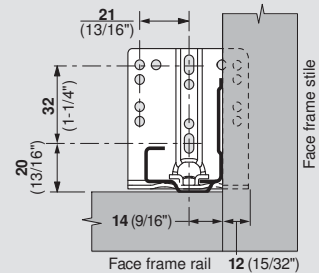
Drawer back preparation

Rear view



Rear mounting bracket

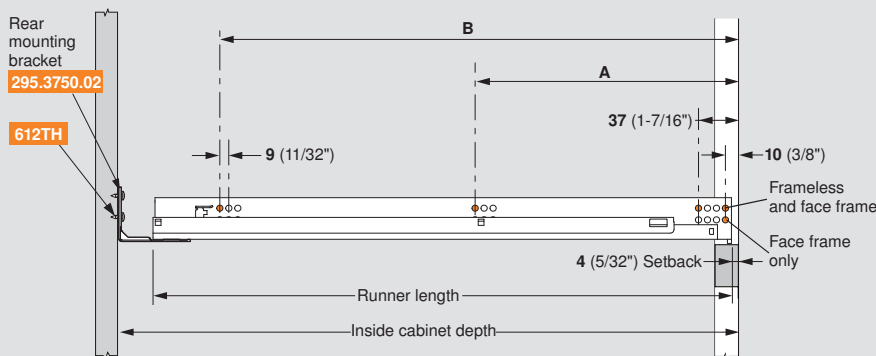
Front view



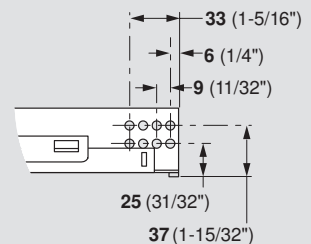
NOTE: For frame applications, use a minimum of three screws per bracket

Runner mounting specifications

Side view



Runner close-up



NOTE: The orange dots indicate fixing screw locations required to meet specified load ratings

TANDEM edge BLUMOTION	Drawer length	Inside cabinet depth with 295.3750.02 bracket		Runner length	Screw locations for frameless cabinets	
		Maximum	Minimum		A	B
554H5330B01	533 (21")	604 (23-3/4")	570 (22-7/16")	560 (22-1/16")	261 (10-9/32")	517 (20-11/32")
554H4570B01	457 (18")	527 (20-3/4")	494 (19-7/16")	484 (19-1/16")	261 (10-9/32")	453 (17-27/32")
554H3810B01	381 (15")	451 (17-3/4")	417 (16-13/32")	407 (16-1/32")	165 (6-1/2")	357 (14-1/16")
554H3050B01	305 (12")	375 (14-3/4")	341 (13-7/16")	331 (13-1/32")	165 (6-1/2")	261 (10-9/32")
554H2290B01	229 (9")	299 (11-3/4")	284 (11-3/16")	274 (10-25/32")	133 (5-1/4")	229 (9")

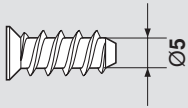
TANDEM plus BLUMOTION



Accessories and Assembly Aids

Deep thread system screw

- Pilot bore $\varnothing 5$ (3/16") hole



Part no.

#6 x 11.5, #2 POZI	662.1150.HG
#7 x 13, #2 POZI	661.1300.HG
#7 x 14.5, #2 POZI	661.1450.HG

Deep thread wood screw

- Pilot bore $\varnothing 2.5$ (3/32") hole



Part no.

#6 x 5/8", #2 Phillips	606N
#6 x 5/8", #2 POZI	606P
#7 x 5/8", #2 Phillips	707N

Truss head wood screw

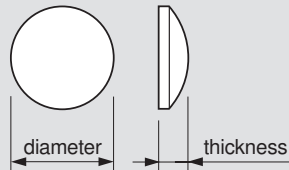
- Pilot bore $\varnothing 2.5$ (3/32") hole



Part no.

#6 x 1/2", #2 Phillips	612TH
------------------------	--------------

Bumpers



- Cushions door closing
- Clear with a self-adhesive back

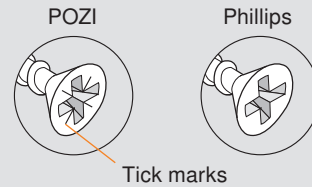
Part no.

$\varnothing 7.5$ (9/32") x 2 (3/32")	FX4041
$\varnothing 12$ (15/32") x 3.5 (1/8")	SJ5312

POZI DRIVER and bits



A POZI screwdriver (different from Phillips) is the most crucial tool you can use to assure that full torque is applied to all Blum mounting screws. POZI screws can be identified by the distinctive "tick" marks located in the center of the screw head recess.



Part no.

#2 POZI DRIVER	POZI DRIVER
1/4" Magnetic bit holder	BIT HOLDER
#2 x 1" POZI bit insert	POZI BIT #2x1
#2 x 2" POZI bit insert	POZI BIT #2x2

TANDEM end cap

- To cover the front edge of TANDEM runners when used in an interior roll-out application
- Can be used with TANDEM 563 H/F/. runners



Part no.

Right end cap	295.5520
Left end cap	295.5521



Side spacer

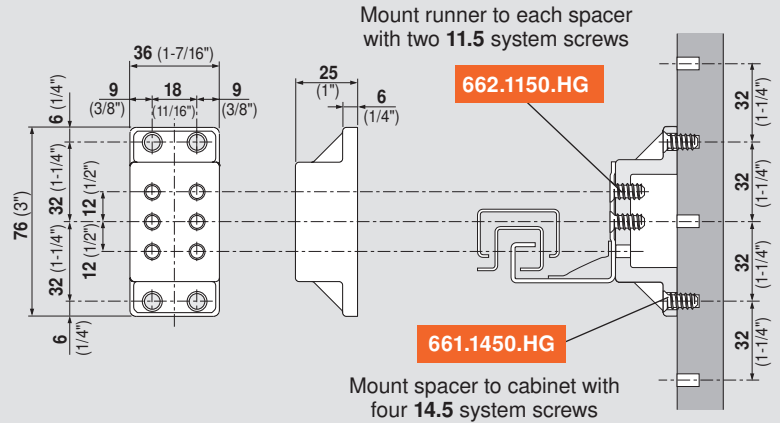
For spacing out TANDEM runners from the cabinet side for clearance in interior roll-out applications



Part no.

Side spacer - 1" thick **T59.3570**

Side spacer



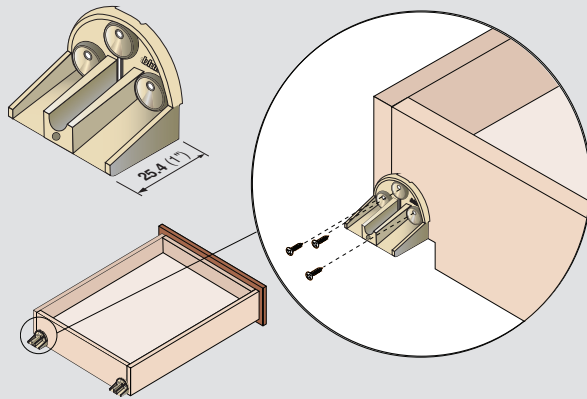
Mount runner to each spacer with two 11.5 system screws

Mount spacer to cabinet with four 14.5 system screws

NOTE: Use (2) pieces per runner up to 15" lengths and (3) pieces per runner 18" or longer

Optional inset spacer for SERVO-DRIVE

For applications where there would not be enough space behind the drawer box to add SERVO-DRIVE due to cabinet construction, plumbing, etc.



- Two required per drawer
- Drawer box is built **25.4 (1")** shorter in length than TANDEM specifications
- These spacers make up the difference between the drawer box and rear hook and provide additional space for installing SERVO-DRIVE
- SERVO-DRIVE boring locations and minimum inside cabinet depths move towards the cabinet face by **25.4 (1")**

Part no.

Inset spacer	T59.A5P0S
Installation screw	606N or 606P

Concealed Runner Template



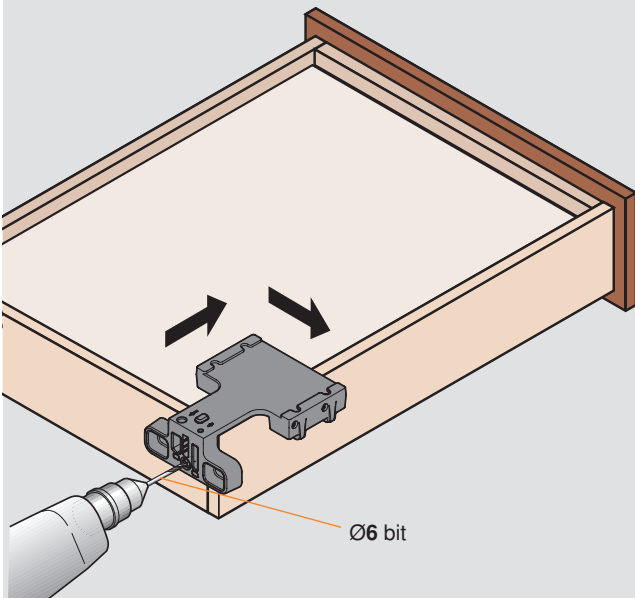
- Essential tool for drawers using any series MOVENTO or TANDEM runners
- To bore the $\varnothing 6$ holes for rear hooks
- Pre-bore $\varnothing 2$ hole for MOVENTO and TANDEM locking devices at the required angle

Part no.

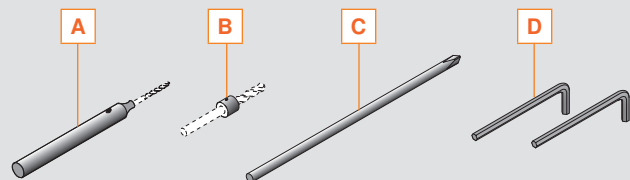
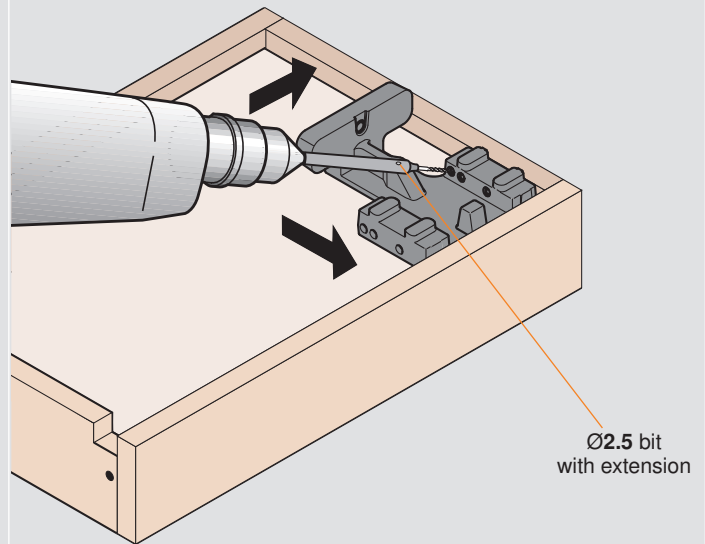
Concealed runner template	T65.1600.01
Accessories (order separately)	
$\varnothing 2.5$ mm drill bit	DB-2.5mm
$\varnothing 6$ mm drill bit	DB-6mm
Tool set	T65.9000

Using the Concealed Runner Template

1 Bore rear fixing holes



2 Pre-bore holes for locking device screws



Tool set includes:

- A** $\varnothing 2.5$ drill bit extension
- B** $\varnothing 6$ stop collar
- C** #2 Phillips screwdriver tip
- D** Allen wrenches

NOTE: Items NOT sold separately

Universal individual template



- Used to pre-bore holes for MOVENTO and TANDEM runners
- Also used for marking/pre-boring other Blum drawer systems, AVENTOS locating pins, hinge mounting plates, BLUMOTION adapters, and TIP-ON adapters
- Calibrated scale for accurate setting

Set includes:

- Universal individual template
- Ø2.5 and Ø5 stop collars
- Allen wrench

Part no.

Universal individual template

65.1051.02

Cabinet profile template set



- Used to pre-bore holes for MOVENTO and TANDEM runners
- Also used for marking/pre-boring other Blum drawer systems, AVENTOS locating pins and hinge mounting plates

Part no.

Cabinet profile template

65.1000.01

Replacement template

65.1001.01

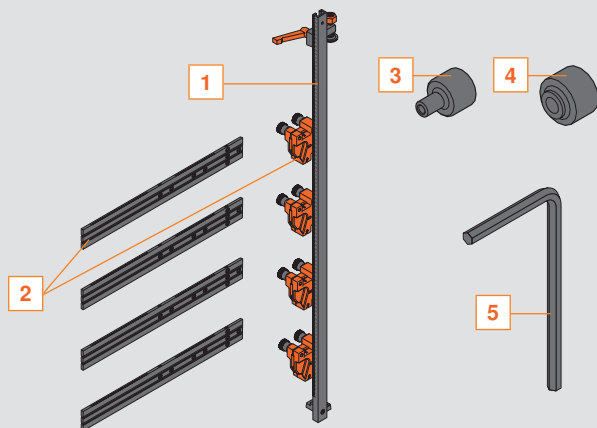
Ø2.5 mm drill bit

DB-2.5mm

Ø5 mm drill bit

DB-5mm

Components



Set includes:

- 1 Rail, 1 meter long
- 2 Replacement template (qty 4)
- 3 Ø2.5 stop collar
- 4 Ø5 stop collar
- 5 Allen wrench

NOTE: ONLY the replacement template is sold separately



Blum's Ideas for Functional Kitchens

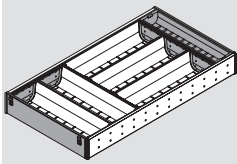
This adjustable organization solution for wood drawers is ideal for storing items in the kitchen and throughout the home.

The spring loaded compensation tray and side rails ensure that each kit will fit into an inside drawer length from 19 - 1/4" to 20".

The removeable trays are made of high quality nylon and stainless steel, and are dishwasher safe up to 170°F.

blum.com/ideas

Flatware



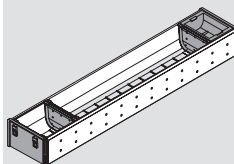
- Width 285 (11-1/4")
- Height 66 (2-5/8")

Part no.

21" drawer length

ZHI.533BI3A

Odds and ends



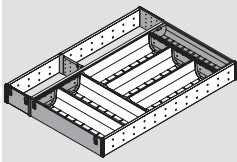
- Width 108 (4-1/4")
- Height 66 (2-5/8")

Part no.

21" drawer length

ZHI.533BI1A

Flatware



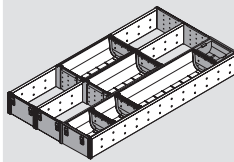
- Width 381 (15")
- Height 66 (2-5/8")

Part no.

21" drawer length

ZHI.533KI4A

Odds and ends



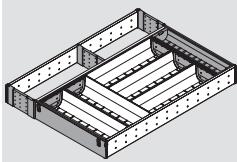
- Width 302 (11-7/8")
- Height 66 (2-5/8")

Part no.

21" drawer length

ZHI.533MI3A

Flatware



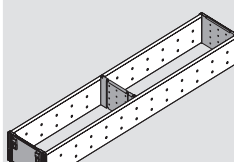
- Width 399 to 417 (15-11/16" to 16-7/16")
- Height 66 (2-5/8")

Part no.

21" drawer length

ZHI.533TI4A

Utensils



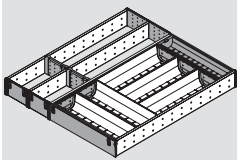
- Width 108 (4-1/4")
- Height 66 (2-5/8")

Part no.

21" drawer length

ZHI.533FI1A

Flatware



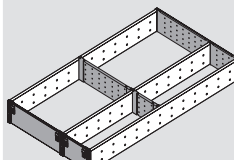
- Width 476 to 494 (18-3/4" to 19-7/16")
- Height 66 (2-5/8")

Part no.

21" drawer length

ZHI.533TI5A

Utensils



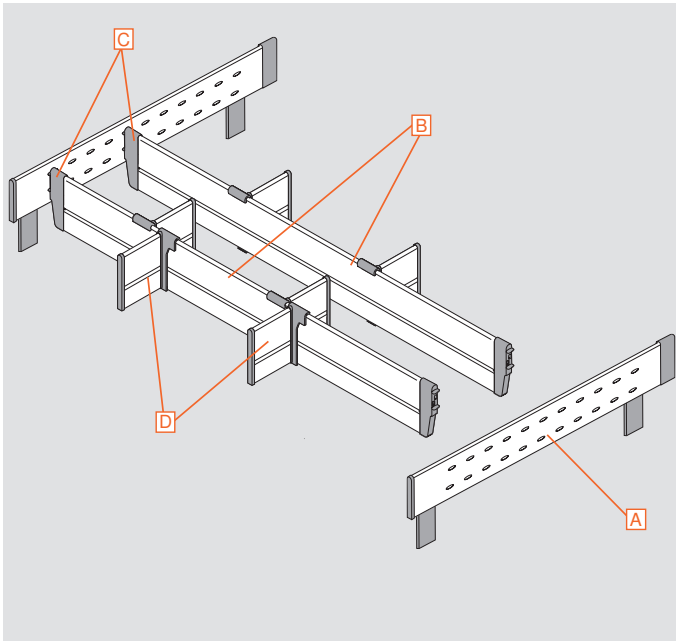
- Width 294 (11-9/16")
- Height 66 (2-5/8")

Part no.

21" drawer length

ZHI.533FI3A

Deep Drawer



A Interior side rail

- Two required
- Length **475** (18-11/16")
- Height **131** (5-3/16")

Part no.

Interior side rail	ZHI.533SS65
--------------------	--------------------

B Cross divider

- Length **1077** (42-3/8"), cut to size
- Inside drawer width minus **62** (2-7/16")
- Height **113** (4-1/2")
- Gray

Part no.

Cross divider	Z40H1077A
---------------	------------------

C Spring loaded connector

- Two required
- Dust gray

Part no.

Spring loaded connector	Z40H000A
-------------------------	-----------------

D Lateral divider

- Length **100** (3-15/16")
- Height **116** (4-9/16")
- Gray

Part no.

Lateral divider	Z43H100S.01
-----------------	--------------------

Accessories

ORGA-LINE Knife holder

- Length **282** (11-1/8")
- Width **178** (7")
- Height **56** (2-3/16")
- Holds up to 9 knives of different sizes
- High quality nylon and stainless steel
- Dishwasher safe up to 170°F
- Handle supports (qty 4)

Part no.

Knife holder	ZSZ.02M0
--------------	-----------------

ORGA-LINE Spice tray

- Width **282** (11-1/8")
- Inside storage width **260** (10-1/4")
- Height **121** (4-3/4")
- Easy removal from drawer
- High quality nylon and stainless steel
- Set includes two trays and four feet

Part no.

Spice tray	ZFZ.38G01
------------	------------------

Plate holder

- Plate diameter **167** to **312** (6-9/16" to 12-5/16")
- Overall width **247** to **392** (9-3/4" to 15-7/16")
- Overall height **170** (6-11/16")
- Holds up to 12 plates
- Non-slip bottom
- High quality nylon and stainless steel

Part no.

Plate holder	ZC7T0350
--------------	-----------------

TANDEM plus BLUMOTION



Additional Information

Conversion chart

mm	inch	
1	1/32	.031
1.5	1/16	.063
2	3/32	.094
3	1/8	.125
4	5/32	.156
5	3/16	.188
5.5	7/32	.219
6	1/4	.25
7	9/32	.281
8	5/16	.313
9	11/32	.344
9.5	3/8	.375
10	13/32	.406
11	7/16	.438
12	15/32	.469
13	1/2	.5
13.5	17/32	.531
14	9/16	.563
15	19/32	.594
16	5/8	.625
17	21/32	.656
17.5	11/16	.688
18	23/32	.719
19	3/4	.75
20	25/32	.781
20.5	13/16	.813
21	27/32	.844
22	7/8	.875
23	29/32	.906
24	15/16	.938
24.5	31/32	.969
25.4	1	1



SERVO-DRIVE

SERVO-DRIVE is an electrical opening assist for TANDEM, TANDEMBOX and LEGRABOX. Drawers open automatically with just a touch of the drawer front or with a light pull of the handle. This unique feature is based on an electrical drive unit that, once activated, opens the drawer for you.

Existing cabinets can be easily retrofitted with SERVO-DRIVE. No modifications to the drawer system are necessary when upgrading.

With SERVO-DRIVE, the drawer is not connected to the drive unit. This enables the drawer to be stopped at any position, providing you full control.



Connect With Us on Social Media

Be sure to connect with us on social media for additional resources for information regarding tips on installation, maximizing storage space, new products and other news and events going on inside Blum.

Find us by searching "Blum USA" in the search bar.



Part Number Index

TANDEM plus BLUMOTION



Part no.	Page no.	Part no.	Page no.	Part no.	Page no.
295.3550.01	34	662.1150.HG	38	ZST.1089W	28
295.3700.21	35	707N	38	ZST.686TU01	26
295.3700.22	35	BIT HOLDER	38	ZSZ.02M0	43
295.3750.03	34	DB-2.5mm	40, 41		
295.5520	38	DB-5mm	41		
295.5521	38	DB-6mm	40		
295.6400	35	FX4041	38		
295.6410	34	POZI DRIVER	38		
295.6510.21	36	POZI BIT #2x1	38		
295H5700	28	POZI BIT #2x2	38		
554H2290B01	36	SJ5312	38		
554H3050B01	36	T51.0801.20 R	33		
554H3810B01	36	T51.0801.20 L	33		
554H4570B01	36	T51.1400 R	36		
554H5330B01	36	T51.1400 L	36		
563.4570B	12, 29	T51.1700.04 R	36		
563.5330B	12, 29	T51.1700.04 L	36		
563F2290B10	16	T51.1801 R	33		
563F3050B	16	T51.1801 L	33		
563F3810B	16, 29	T51.1801.20 R	33		
563F4570B	16, 29	T51.1801.20 L	33		
563F5330B	16, 29	T51.1901 R	32		
563H2290B10	14	T51.1901 L	32		
563H3050B	14	T51.1901.20 R	32		
563H3810B	14, 29	T51.1901.20 L	32		
563H4570B	14, 29	T51.1901.PS R	32		
563H5330B	14, 29	T51.1901.PS L	32		
569.6100B	18	T59.3570	39		
569.6860B	18, 30	T59.A5P0S	39		
569.7620B	18	T65.1600.01	40		
569A6100B	20	T65.9000	40		
569A6860B	20, 30	Z40H000A	43		
569A7620B	20	Z40H1077A	43		
569F4570B	20	Z43H100S.01	43		
569F5330B	20	ZC7T0350	43		
569H4570B	18	ZFZ.38G0I	43		
569H5330B	18	ZHI.533BI1A	42		
606N	38	ZHI.533BI3A	42		
606P	38	ZHI.533FI1A	42		
612TH	38	ZHI.533FI3A	42		
65.1000.01	41	ZHI.533KI4A	42		
65.1001.01	41	ZHI.533MI3A	42		
65.1051.02	41	ZHI.533SS65	43		
661.1300.HG	38	ZHI.533TI4A	42		
661.1450.HG	38	ZHI.533TI5A	42		





Why Choose Blum



The Blum name stands for quality, innovation and great customer service. We manufacture hardware that makes working in the kitchen easier, no matter the age of the user, and we do this globally. We've been in the United States for more than 40 years, and we are committed to manufacturing for the American market. Blum supports the United States market with a network of distributors, knowledgeable Blum sales representatives and an experienced customer service department. Each of our products has been designed carefully, with the customer experience in mind. We have a deep commitment to research and believe anyone who manufactures, sells, installs or uses our products should benefit from our knowledge and experience. We specialize in engineering and manufacturing concealed hinges, drawer systems and systems for lift-up doors. From our touch-to-open technology, to the soft-closing door or drawer, our hardware helps modernize the kitchen experience.



To learn more about Blum, visit blum.com/tour



Blum, Inc. is ISO 9001 certified which means that you are assured of consistent quality in every Blum product. They exceed the requirements of ANSI/BHMA standards for cycle life, static load and self-closing performance.



Please visit blum.com for information on other Blum products
LIT-TDM1100.09.21 Ident. 26288480 © 2021 Blum, Inc.

Blum, Inc.
7733 Old Plank Rd.
Stanley, NC 28164
800-438-6788
blum.com

FSC Logo



ISO 9001
Certified Quality
System

 **blum**®