

ORGA-LINE for TANDEM drawers



Drawer dividing system for cutlery and utensils

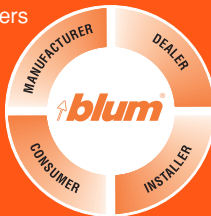


Julius Blum, Inc. is a leading manufacturer of functional hardware for the cabinet and furniture industry specializing in concealed hinges and drawer runner systems. Virtually all of the hardware needed to assemble and make casegoods functional are available within the wide range of lifetime guaranteed Blum products.

Blum's manufacturing and distribution complex in Stanley, North Carolina supplies the North American markets through a network of more than 150 dependable distributors. Wholly owned by the Blum family, the company was formed in 1952 by Julius Blum and is headquartered in Hoechst, Austria.

Global customer benefits

Product development at Blum considers all of the various customers who will come in contact with our products. With this "Global Customer Benefits" philosophy we strive to create advantages for all users from the cabinet-maker to the end consumer.



Julius Blum, Inc. is ISO 9001 certified which means that you are assured of consistent quality in every Blum product.

Table of contents

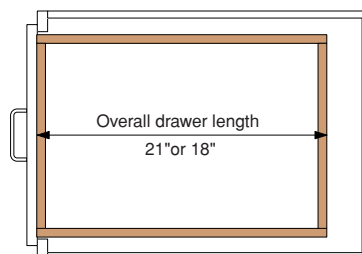
	Page
Insert kits for 21" drawer lengths	4
Insert kits for 18" drawer lengths	5
Applications for 12", 15" and 18" cabinets	6
Applications for 21" wide cabinets	7
Applications for 24" wide cabinets	8
Applications for wider cabinets	9
ORGA-LINE Plate Holder	10

ORGA-LINE for TANDEM drawers is a program of insert kits that fit into wood drawers that are built to the dimension standards of Blum's TANDEM concealed drawer runners (21" or 18" overall drawer length).

Features include:

- Dishwasher safe, stainless-steel, removable cutlery trays in three lengths.
- Adjustable partitions that custom tailor utensil divider kits.
- Spring-loaded side rails that fit into drawers of varying wall thickness.
- Spring-loaded compensation trays in cutlery kits that adjust to the drawer length.

If your cabinets are equipped with Blum's TANDEM full-extension concealed runners, ORGA-LINE for wood divider kits will fit right into your drawers. Other drawer types will require wood spacers. See the specifications on the following pages for length requirements.



ORGA-LINE is designed to fit into drawers that are mounted to TANDEM concealed drawer runners.

Exquisite detail



Removable and stackable



Dishwasher-safe trays



ORGA-LINE for TANDEM drawers



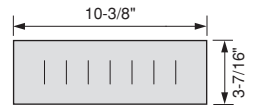
Tool-free installation

ORGA-LINE divider sets for TANDEM drawers are easily installed without tools. The spring-loaded components fit into the drawers snugly and the connector pieces are assembled with dovetail slots.

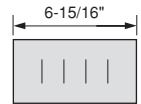
Tray sizes

ORGA-LINE kits have trays in three lengths. Most cutlery kits come with five triple length trays. Other kits may have double or single length trays included.

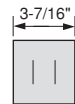
Triple tray



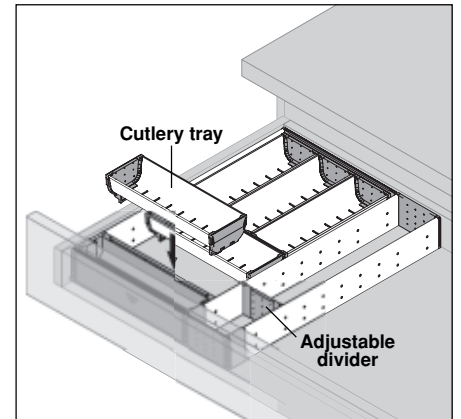
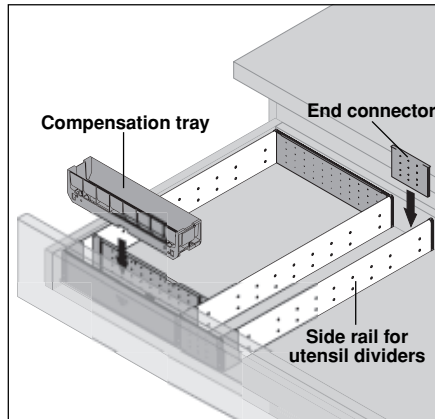
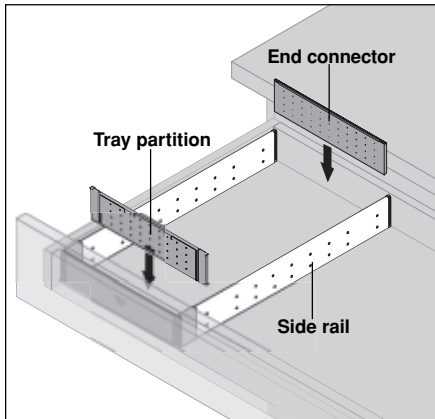
Double tray



Single tray

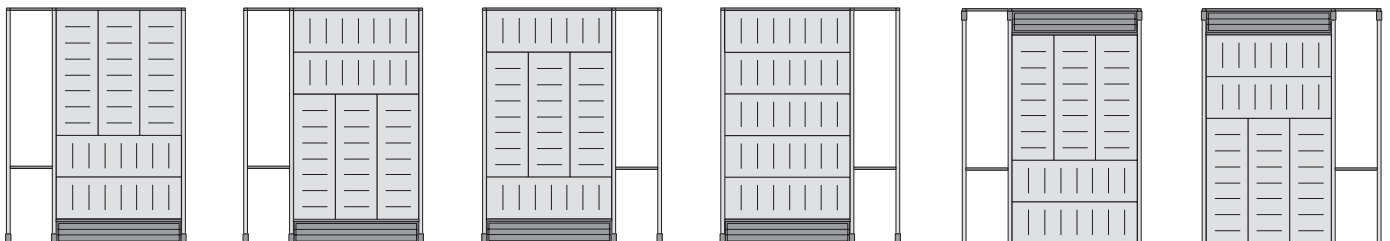


ORGA-LINE kit assembly



1. Place spring-loaded side rails in drawer and join them with the end connectors.
2. Install the tray partition in the first set of holes on the side rail.
3. If applicable, install additional side rails and end connectors for utensil dividers.
4. Place the spring-loaded compensation tray between the tray partition and the end connector.
5. Insert the cutlery trays in any desired configuration.
6. Install the adjustable divider in the utensil section.

Tray configurations



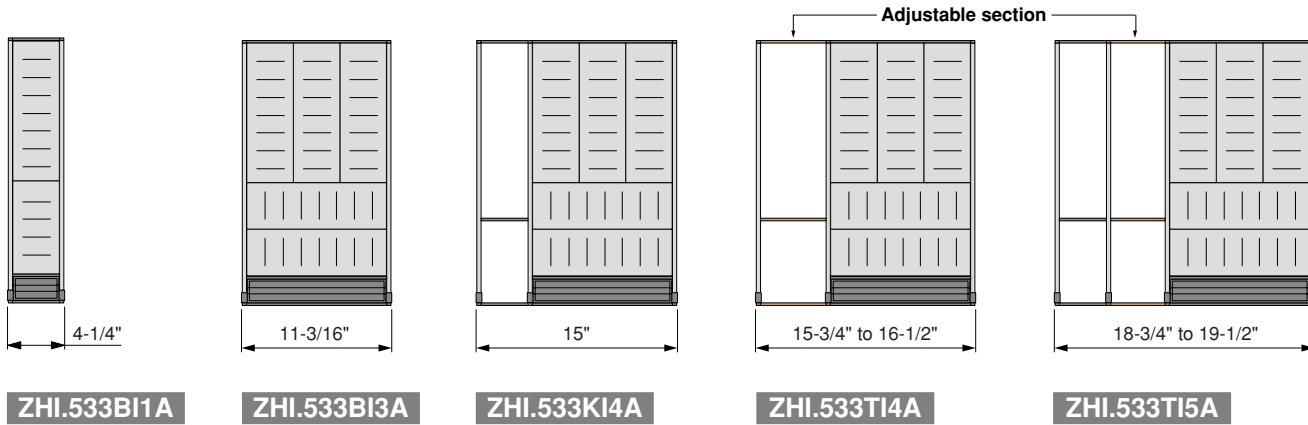
Cutlery tray kits can be arranged in various configurations. The compensation tray can be positioned in front or back (example ZHI.533KI4A).

ORGA-LINE for TANDEM drawers

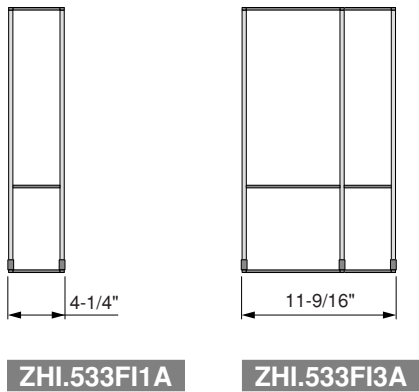
Insert kits for 21" drawer lengths

Typical for kitchen cabinets

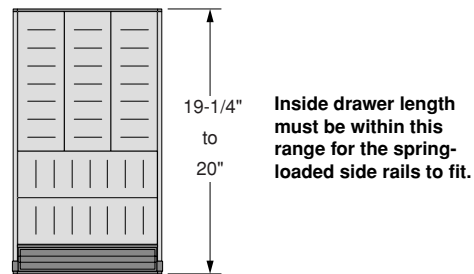
Cutlery kits



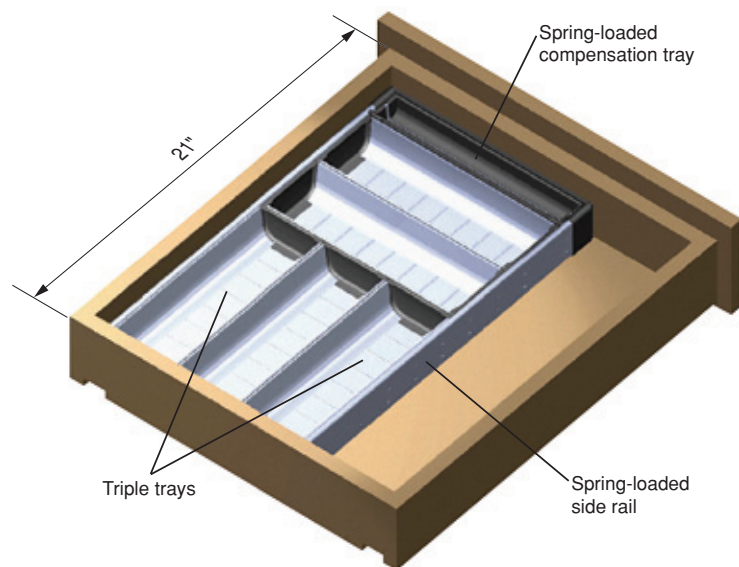
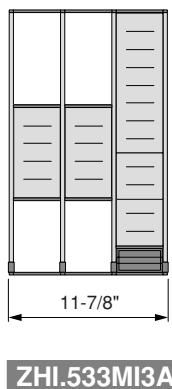
Utensil kits



Length range for all kits



Combination kit



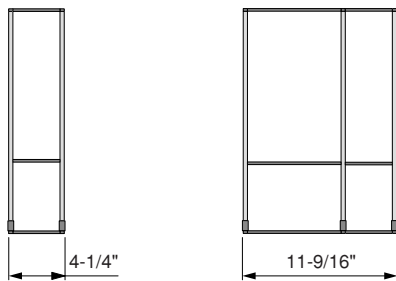
Example of drawer with ZHI.533B13A kit installed

ORGA-LINE for TANDEM drawers

Insert kits for 18" drawer lengths

Typical for vanity cabinets

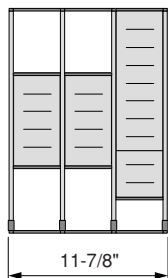
Utensil kits



ZHI.457F11A

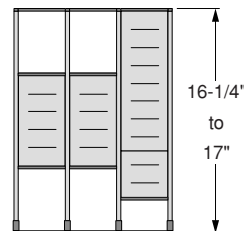
ZHI.457F13A

Combination kit

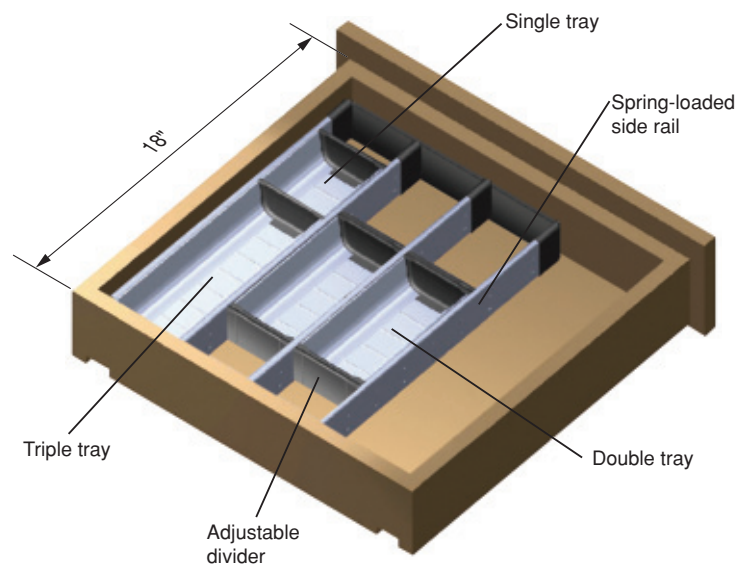


ZHI.457G13A

Length range for all kits



Inside drawer length must be within this range for the spring-loaded side rails to fit.

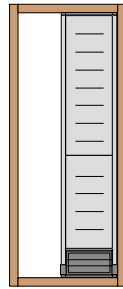
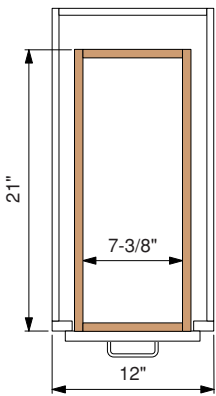


Example of drawer with ZHI.457G13A kit installed

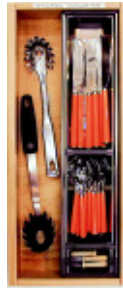
ORGA-LINE for TANDEM drawers

Applications for 12" wide cabinets

Based on cabinets with 1-1/2" frames and 5/8" thick drawer sides

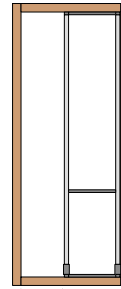


3-1/8"

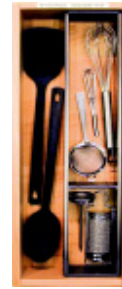


Cutlery

ZHI.533BI1A 21" Drawer



3-1/8"

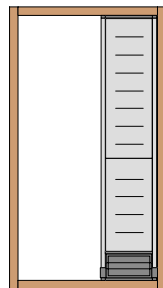
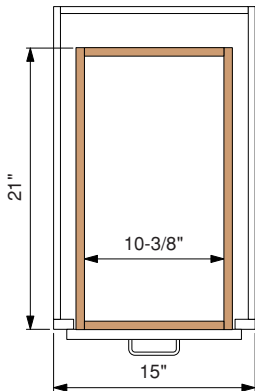


Utensils

ZHI.533FI1A 21" Drawer
ZHI.457FI1A 18" Drawer

Applications for 15" wide cabinets

Based on cabinets with 1-1/2" frames and 5/8" thick drawer sides

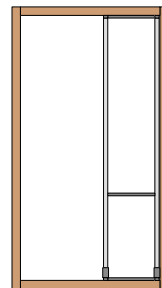


6-1/8"



Cutlery

ZHI.533BI1A 21" Drawer



6-1/8"

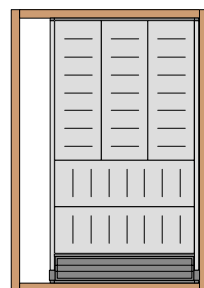
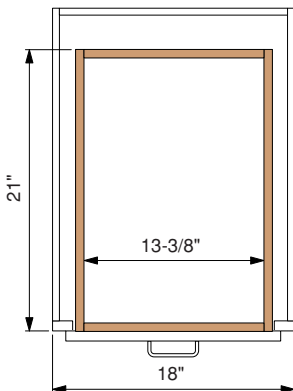


Utensils

ZHI.533FI1A 21" Drawer
ZHI.457FI1A 18" Drawer

Applications for 18" wide cabinets

Based on cabinets with 1-1/2" frames and 5/8" thick drawer sides

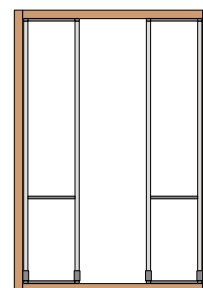


2-3/16"



Cutlery

ZHI.533BI3A 21" Drawer



4-7/8"



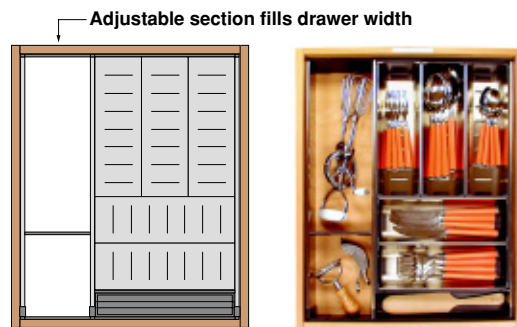
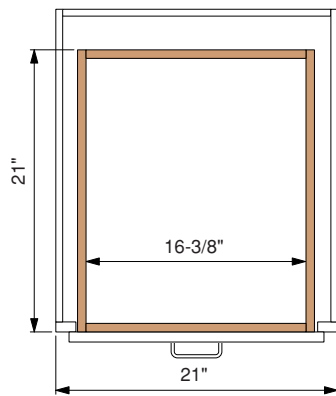
Utensils

(2) **ZHI.533FI1A** 21" Drawer
(2) **ZHI.457FI1A** 18" Drawer

ORGA-LINE for TANDEM drawers

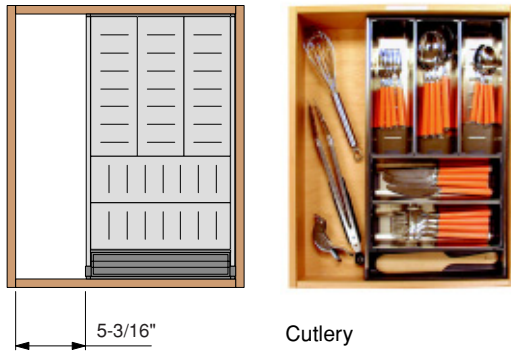
Applications for 21" wide cabinets

Based on cabinets with 1-1/2" frames and 5/8" thick drawer sides



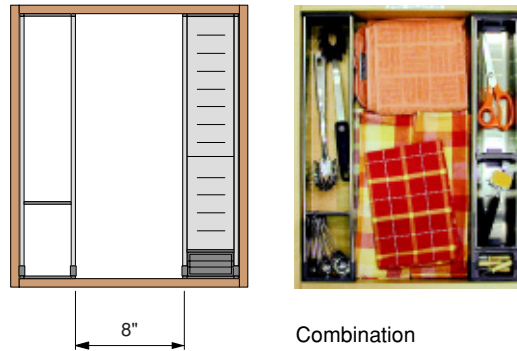
Cutlery

ZHI.533TI4A 21" Drawer



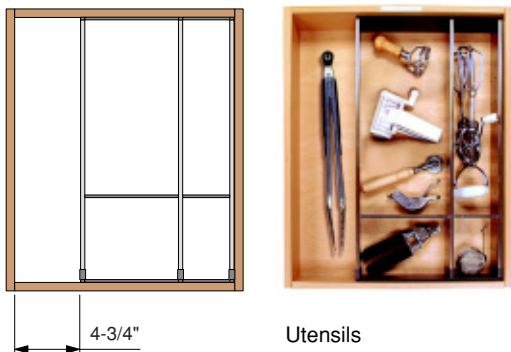
Cutlery

ZHI.533BI3A 21" Drawer



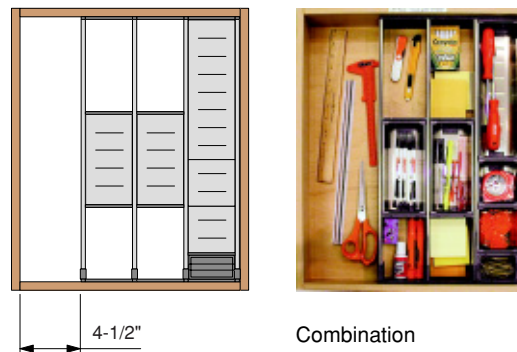
Combination

ZHI.533FI1A + **ZHI.533BI1A** 21" Drawer



Utensils

ZHI.533FI3A 21" Drawer
ZHI.457FI3A 18" Drawer



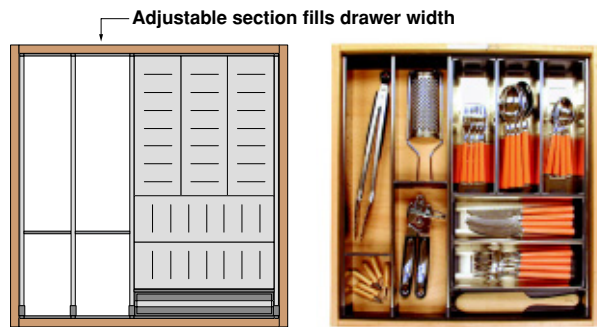
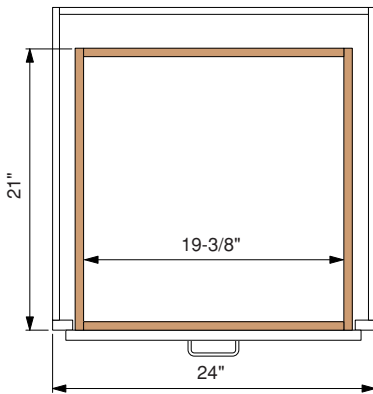
Combination

ZHI.533MI3A 21" Drawer
ZHI.457GI3A 18" Drawer

ORGA-LINE for TANDEM drawers

Applications for 24" wide cabinets

Based on cabinets with 1-1/2" frames and 5/8" thick drawer sides



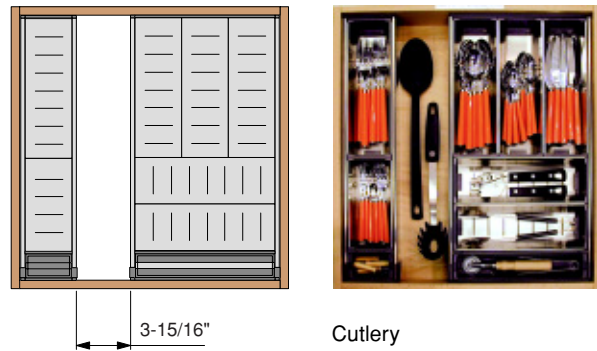
Cutlery

ZHI.533TI5A 21" Drawer



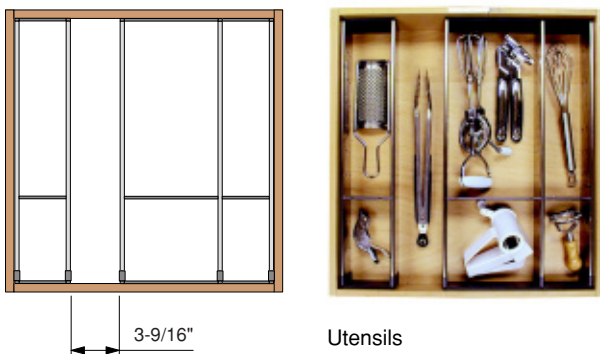
Cutlery

ZHI.533KI4A 21" Drawer



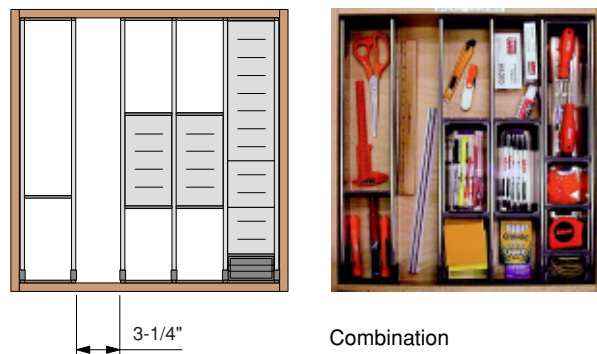
Cutlery

ZHI.533BI1A + **ZHI.533BI3A** 21" Drawer



Utensils

ZHI.533FI1A + **ZHI.533FI3A** 21" Drawer
ZHI.457FI1A + **ZHI.457FI3A** 18" Drawer



Combination

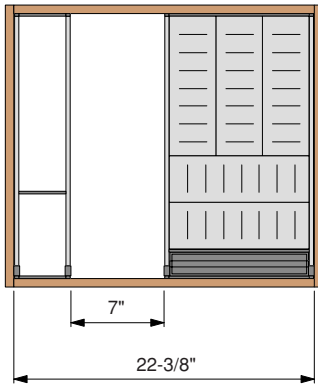
ZHI.533FI1A + **ZHI.533MI3A** 21" Drawer
ZHI.457FI1A + **ZHI.457GI3A** 18" Drawer

ORGA-LINE for TANDEM drawers

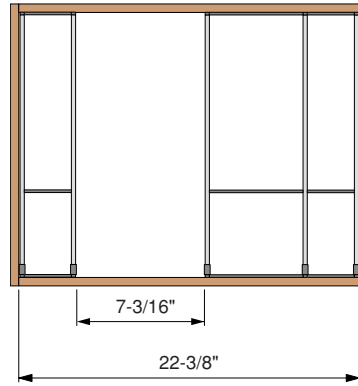
Applications for wider cabinets

Based on cabinets with 1-1/2" frames and 5/8" thick drawer sides

27" cabinet

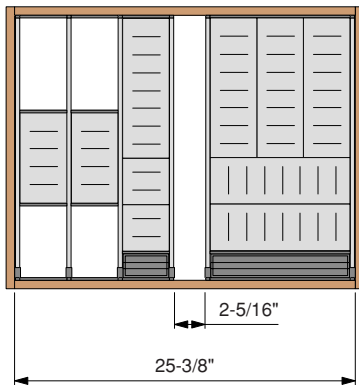


ZHI.533FI1A + ZHI.533BI3A 21" Drawer

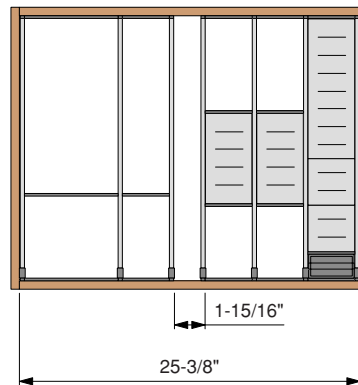


ZHI.533FI1A + ZHI.533FI3A 21" Drawer
ZHI.457FI1A + ZHI.457FI3A 18" Drawer

30" cabinet

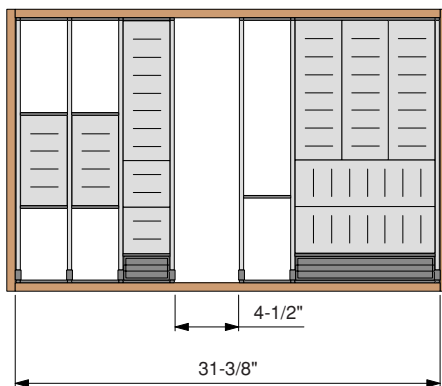


ZHI.533MI3A + ZHI.533BI3A 21" Drawer

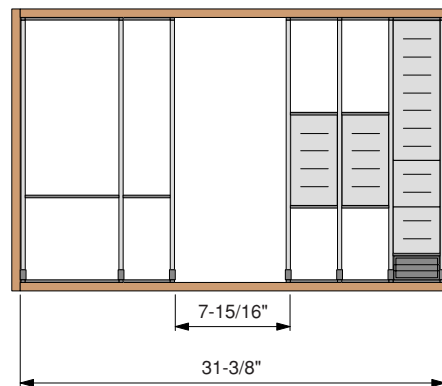


ZHI.533FI3A + ZHI.533MI3A 21" Drawer
ZHI.457FI3A + ZHI.457GI3A 18" Drawer

36" cabinet



ZHI.533MI3A + ZHI.533KI4A 21" Drawer



ZHI.533FI3A + ZHI.533MI3A 21" Drawer
ZHI.457FI3A + ZHI.457GI3A 18" Drawer

ORGA-LINE Plate Holder

A new idea for organizing the kitchen

The ORGA-LINE Plate Holder makes organizing stacks of plates quick and easy. The Plate Holder easily adjusts to fit most common dinner plates and bowls. The idea behind the ORGA-LINE Plate Holder is to make storing and accessing plates



simple by placing them in a drawer instead of an overhead cabinet. Special rubber feet ensure that no matter where you put the Plate Holder it will stay in place. The Plate Holder handles make carrying plates to the dinner table or the patio a breeze.



The ORGA-LINE Plate Holder, along with Blum's full-extension TANDEM concealed drawer runners, makes kitchen organization clean, simple, and fully accessible.

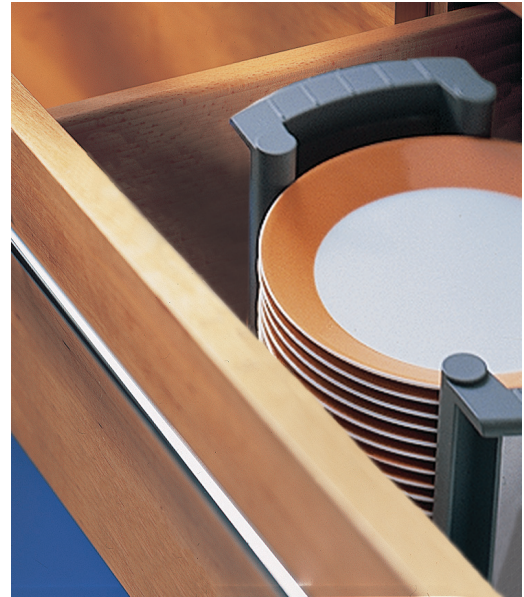
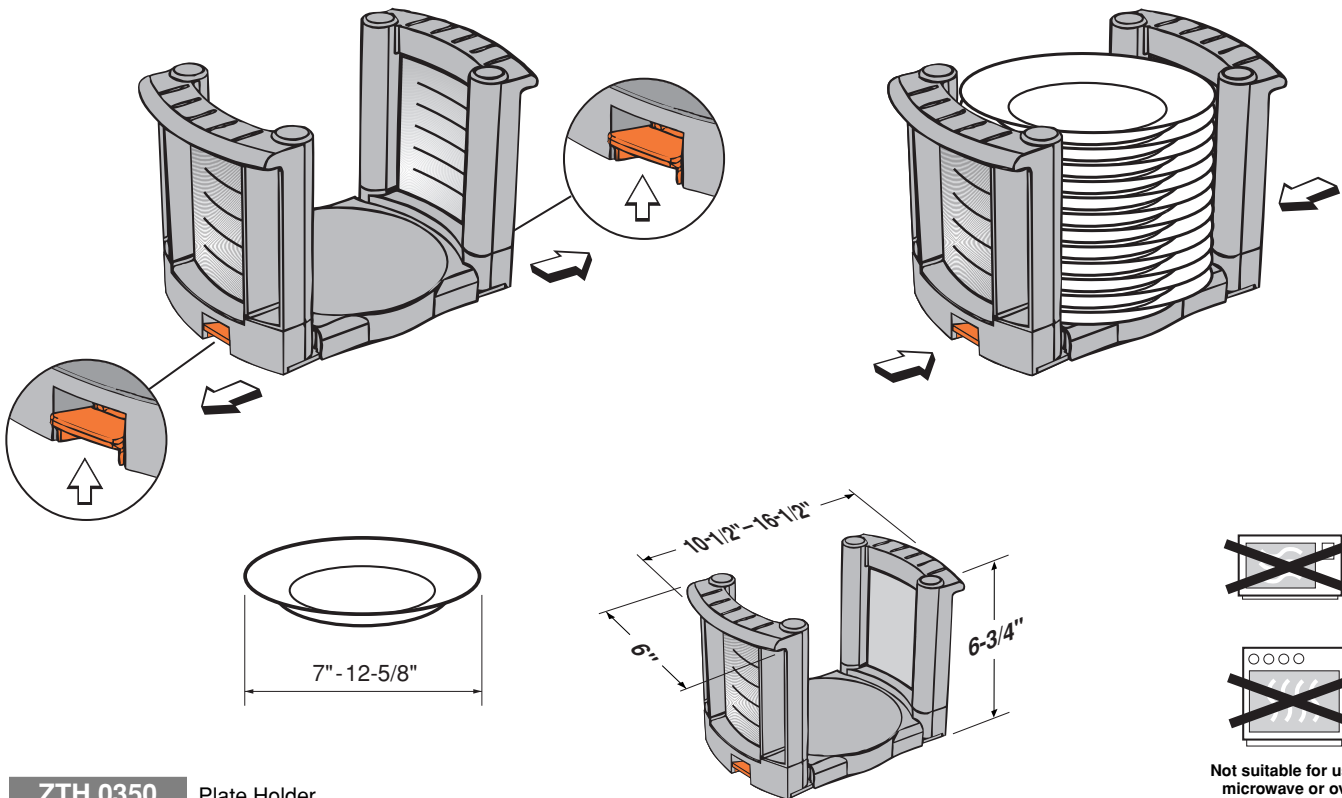


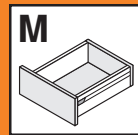
Plate Holder specifications



ORGA-LINE for TANDEMBOX drawers

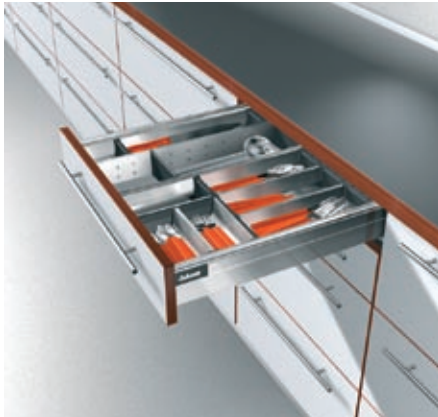
The ORGA-LINE system of cutlery dividers is also available for Blum's TANDEMBOX drawer system. A separate program of cutlery kits is designed to fit into these stainless steel drawers and offers all of the same advantages. Whether or not you have traditional wood or high-end contemporary cabinets, Blum has the hardware system to organize your drawers.





TANDEMBOX M back height - cutlery application

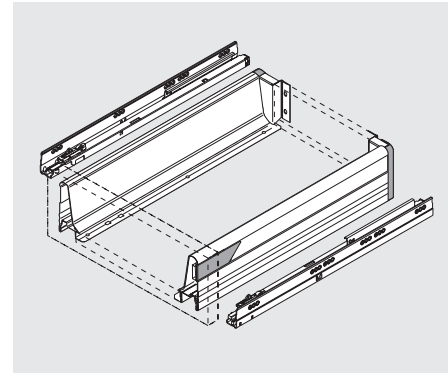
Product



Description

- ORGA-LINE flexible dividing system
- High quality stainless steel utensil dividers combined with wear resistant nylon parts in dust gray (R737)
- Removable, dishwasher safe cutlery trays
- For runner lengths of **500** (20") and **550** (22")

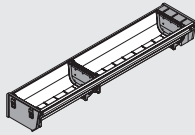
Basic component



M height drawer

page 18

Cutlery organizer kits



Runner length

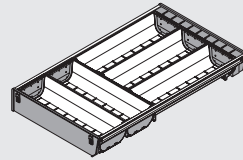
Part No.

500 (20")

ZSI.500B11

550 (22")

ZSI.550B11



Runner length

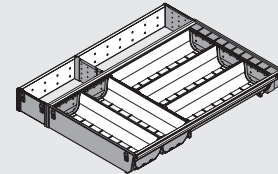
Part No.

500 (20")

ZSI.500B13A

550 (22")

ZSI.550B13A



Runner length

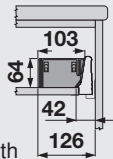
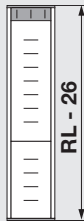
Part No.

500 (20")

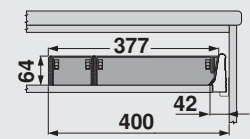
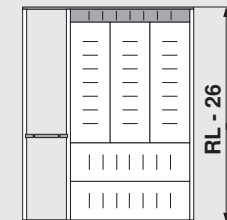
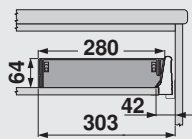
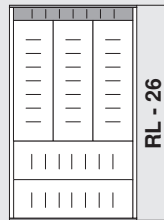
ZSI.500K14A

550 (22")

ZSI.550K14A



RL = Runner length



Combine kits for different applications and larger drawer widths. See page 23



Accessories

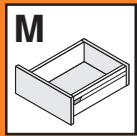
page 48

Assembly / Adjustment

page 52

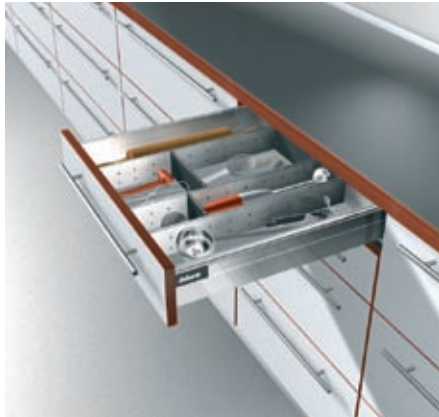
Assembly aids

page 56



TANDEMBOX M back height - utensil application

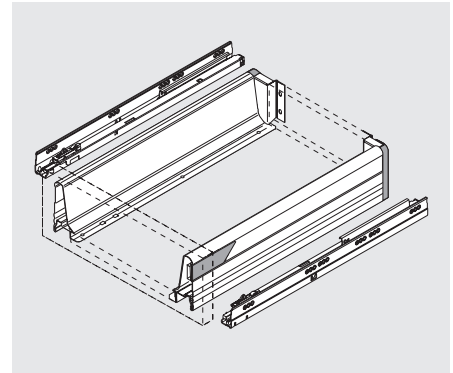
Product



Description

- ORGA-LINE flexible dividing system
- High quality stainless steel utensil dividers combined with wear resistant nylon parts in dust gray (R737)
- Removable, dishwasher safe cutlery trays
- For runner lengths of **500** (20") and **550** (22")

Basic component



M height drawer

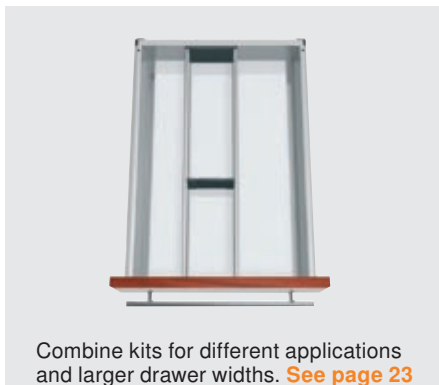
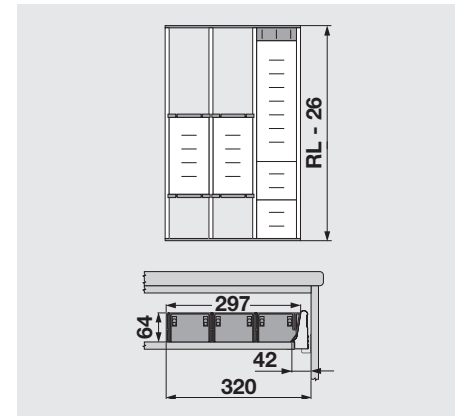
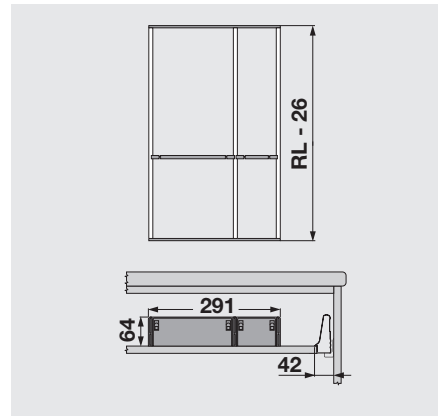
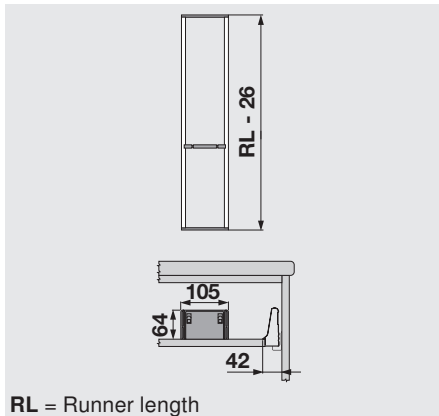
page 18

Utensil organizer kits

Runner length	Part No.
500 (20")	ZSI.500F11
550 (22")	ZSI.550F11

Runner length	Part No.
500 (20")	ZSI.500F13
550 (22")	ZSI.550F13

Runner length	Part No.
500 (20")	ZSI.500MI3
550 (22")	ZSI.550MI3



Accessories

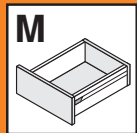
page 48

Assembly / Adjustment

page 52

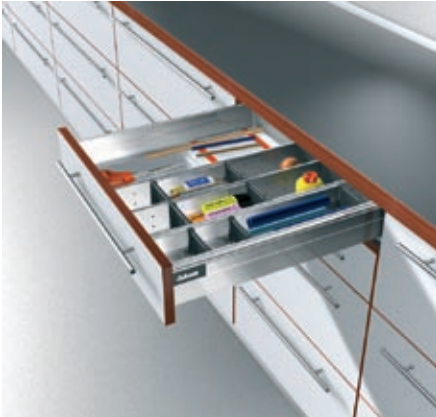
Assembly aids

page 56



TANDEMBOX M back height - odds & ends application

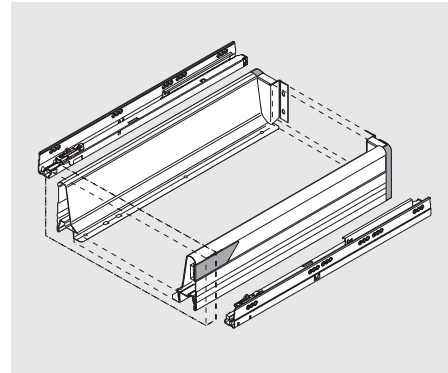
Product



Description

- ORGA-LINE flexible dividing system
- High quality stainless steel utensil dividers combined with wear resistant nylon parts in dust gray (R737)
- Removable, dishwasher safe cutlery trays
- For runner lengths of **500** (20") and **550** (22")

Basic component



M height drawer

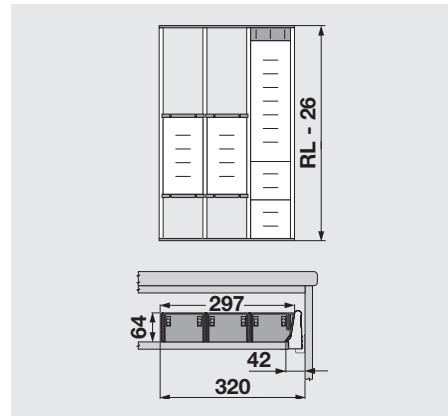
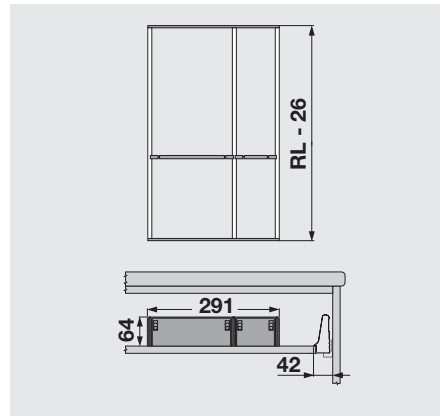
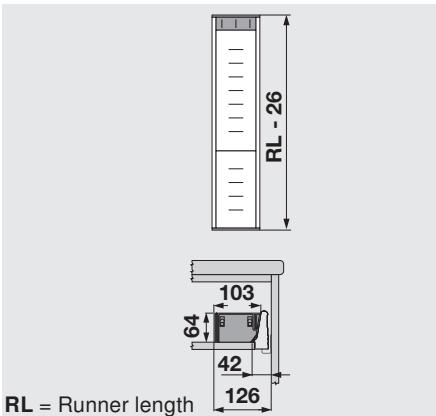
page 18

Odds & ends organizer kits

Runner length	Part No.
500 (20")	ZSI.500B11
550 (22")	ZSI.550B11

Runner length	Part No.
500 (20")	ZSI.500F13
550 (22")	ZSI.550F13

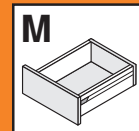
Runner length	Part No.
500 (20")	ZSI.500MI3
550 (22")	ZSI.550MI3



Accessories **page 48**

Assembly / Adjustment **page 52**

Assembly aids **page 56**



ORGA-LINE combinations for wide drawers

Wide drawer applications

36" / 39" / 42" wide cabinets



Runner length

500 (20")	ZSI.500FI3	+	ZSI.500MI3
550 (22")	ZSI.550FI3	+	ZSI.550MI3

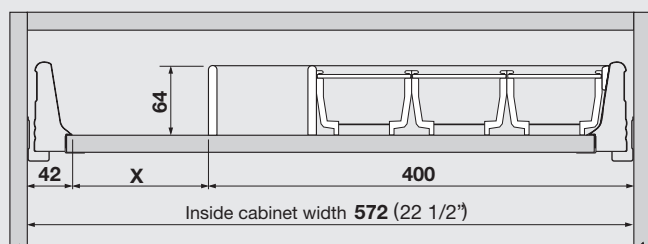
36" / 39" / 42" wide cabinets



Runner length

500 (20")	ZSI.500KI4A	+	ZSI.500MI3
550 (22")	ZSI.550KI4A	+	ZSI.550MI3

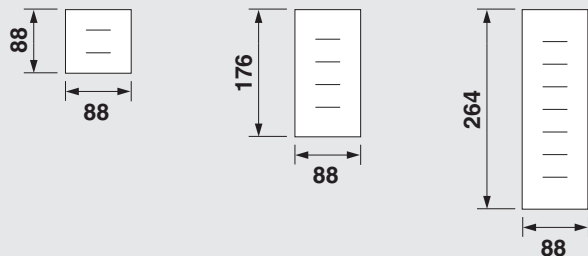
Calculation of remaining space



Example:

Inside cabinet width is 572 (22-1/2")
 Cutlery kit installed is ZSI.500KI4A
 $X = \text{Inside cabinet width} - \text{kit} - 42$
 $X = 572 - 442$
 $X = 130$

Cutlery tray dimensions



TANDEMBOX B back height - food / pots / plates application

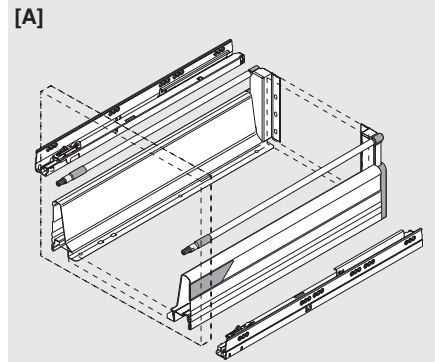
Product



Description

- Application for food, pots, pans, plastic containers and plates
- For TANDEMBOX B back height drawer configuration
- ORGA-LINE flexible dividing system

Basic component

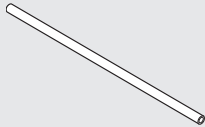


B height drawer

page 24

Organization parts

[B] Cross gallery rod

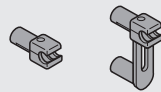


1094 (43-1/16") cut to size

Gray (R906) or Nickel (Ni)

ZRG.1094U

[C] Cross gallery connector



Single connector
Double connector

Dust gray (R737)

ZRU.00E0.01

ZRU.00Z0.01

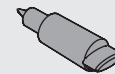
[D] Bottle divider



Dust gray (R737)

ZRU.00F0

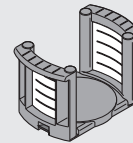
[F] Gallery rod spring connector



Dust gray (R737)

ZRU.10B1E

[G] Plate holder



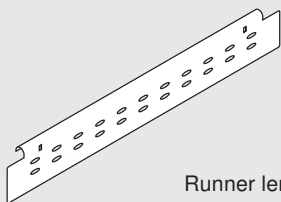
Overall height =
171 (6-3/4")

Plate size range
180(7") - 320(12-1/2")

Dust gray (R737)

ZTH.0350

[E] M height single-wall BOXSIDE



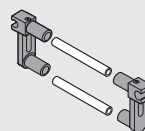
Runner length	Gray (R906) or Nickel (Ni)
450 (18")	Z36M417SE01
500 (20")	Z36M467SE01
550 (22")	Z36M517SE01

[B] + [F] x 2



Length = inside cabinet width minus 77 (3")

[B] x 2 + [C] x 2



Length = inside cabinet width minus 67 (2-5/8")

Accessories

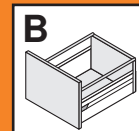
page 48

Assembly / Adjustment

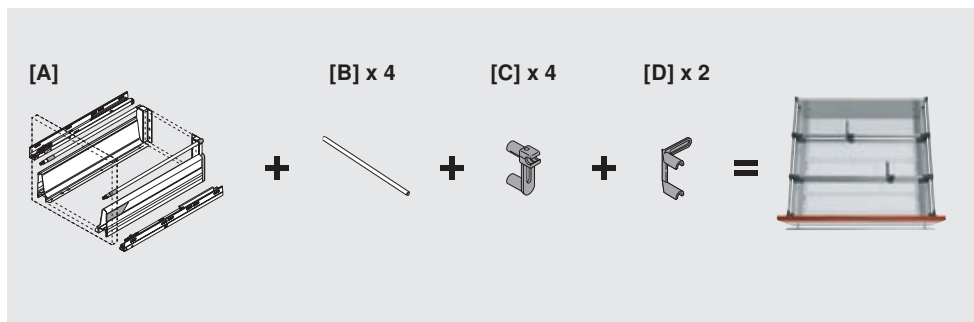
page 52

Assembly aids

page 56



Food storage



Pots / pans and plastic container storage

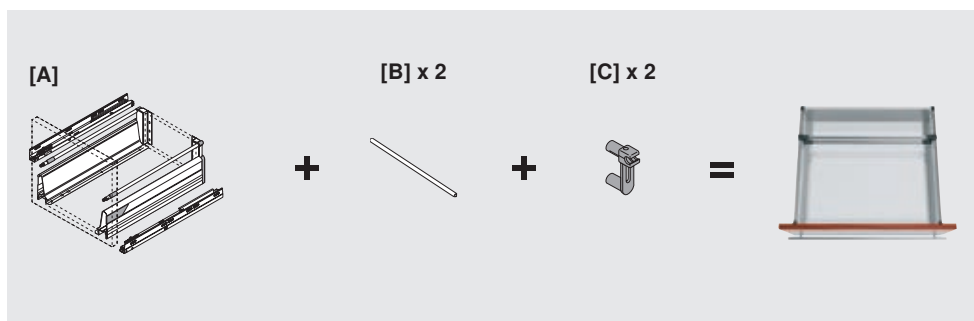
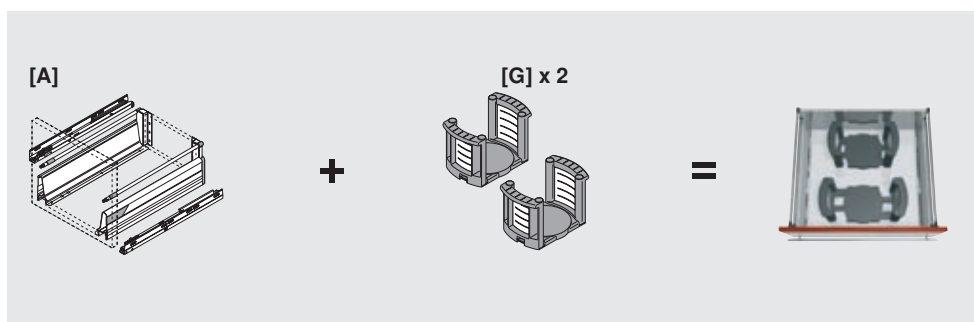
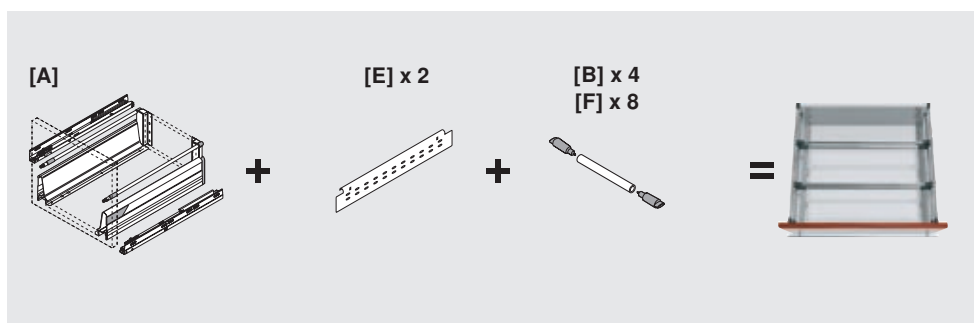


Plate storage



Food storage with BOXSIDE



Note: 559 heavy duty cabinet profiles are recommended if drawer weight including contents exceeds 75 lb.

TANDEMBOX D back height - food / pots / plates application

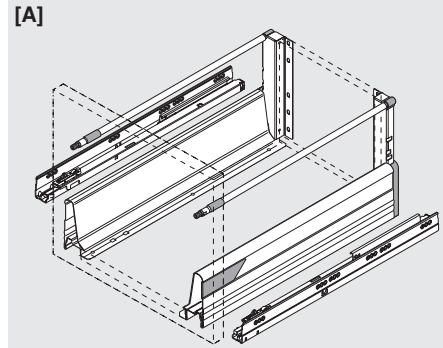
Product



Description

- Application for food, bottles, pots, pans, plastic containers and plates
- For TANDEMBOX D back height drawer configuration
- ORGA-LINE flexible dividing system

Basic component

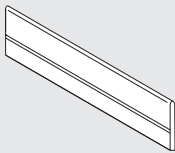


D height drawer

page 28

Organization parts

[B] Cross divider



1077 (42-3/8"), cut to size
Aluminum core

W = inside cabinet width minus
320 (12-1/2") for Food/bottle drawer

W = inside cabinet width minus
91 (3-1/2") for other drawers

Gray (R906) or Nickel (Ni) **Z40H1077A**

[C] Spring connector



Dust gray (R737)

Z40H000A

[D] Lateral divider



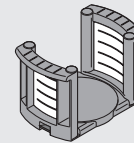
Stainless steel (Inox)

Z43H100I.01

Gray (R906)

Z43H100S.01

[G] Plate holder



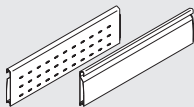
Overall height =
171 (6-3/4")

Plate size range
180(7") - 320(12-1/2")

Dust gray (R737)

ZTH.0350

[E] Double-wall BOXSIDE set (right & left)



Runner length

Gray (R906)

Stainless steel (Inox)

450 (18")

Z37H418S.E

Z37H418I.E

500 (20")

Z37H468S.E

Z37H468I.E

550 (22")

Z37H518S.E

Z37H518I.E

600 (24")

Z37H568S.E

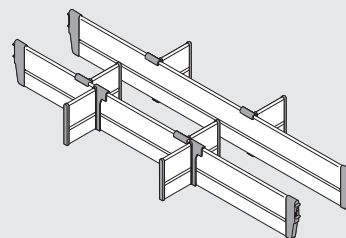
Z37H568I.E

650 (26")

Z37H618S.E

Z37H618I.E

[F] ORGA-LINE deep drawer set



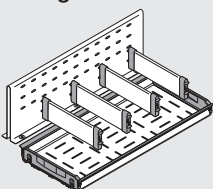
Set includes:

- 2 [B] Cross dividers
- 4 [C] Spring connectors
- 6 [D] Lateral dividers

Gray (R906) or Nickel (Ni)

ZFI.12BVA6

[H] Bottle storage set



Set Includes:

- Bottle tray
- Cross dividers with spring connectors
- Inside divider
- Marking template for easy installation

Runner length

Tray length

Gray (R906)

Stainless steel (Inox)

500 (20")

471 (18-1/2")

ZFI.30BZS6

ZFI.30BZI6

550 (22")

523 (20-9/16")

ZFI.30BZS7

ZFI.30BZI7

Accessories

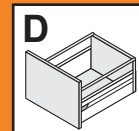
page 48

Assembly / Adjustment

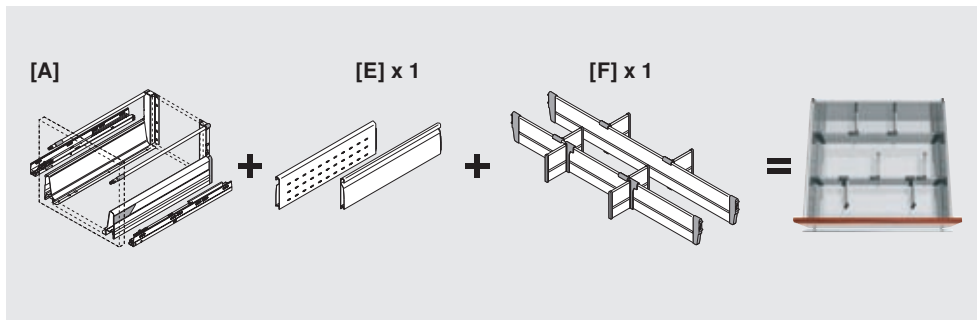
page 52

Assembly aids

page 56



Food storage



Pots / pans and plastic container storage

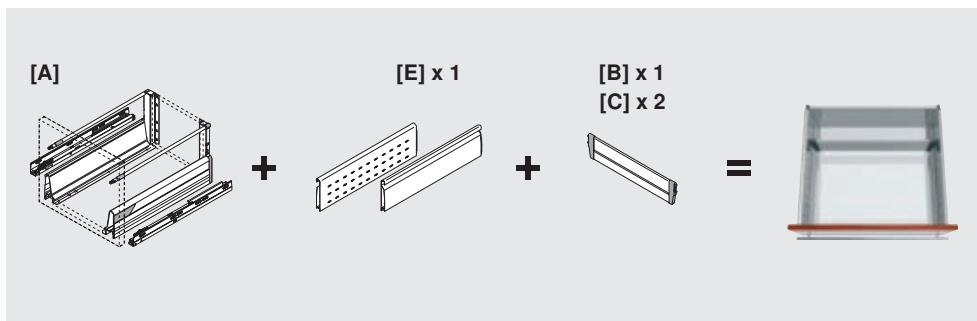
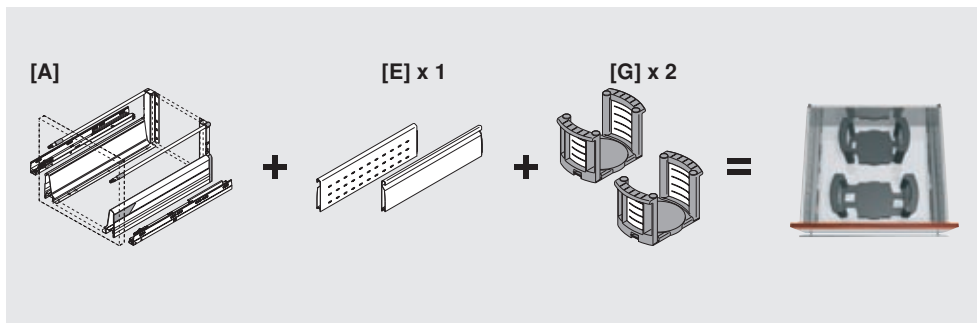
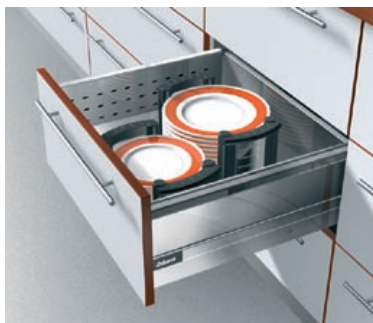
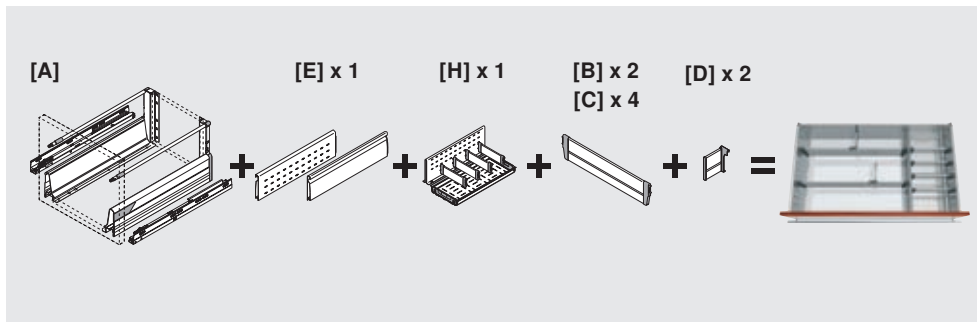


Plate storage



Food and bottle storage



Note: 559 heavy duty cabinet profiles are recommended if drawer weight including contents exceeds 75 lb.

TANDEMBOX D back height - food / pots / plates application

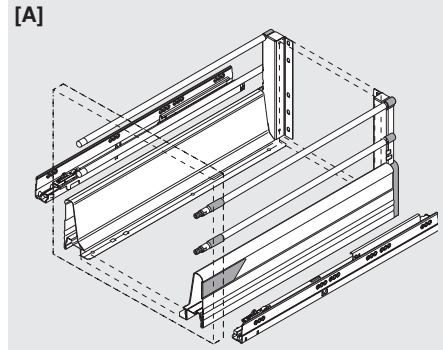
Product



Description

- Application for food, bottles, pots, pans, plastic containers and plates
- For TANDEMBOX D back height drawer configuration
- ORGA-LINE flexible dividing system

Basic component

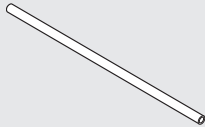


D height drawer

page 32

Organization parts

[B] Cross gallery rod

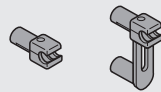


1094 (43-1/16") cut to size

Gray (R906) or Nickel (Ni)

ZRG.1094U

[C] Cross gallery connector



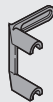
Single connector
Double connector

Dust gray (R737)

ZRU.00E0.01

ZRU.00Z0.01

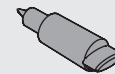
[D] Bottle divider



Dust gray (R737)

ZRU.00F0

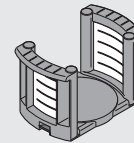
[F] Gallery rod spring connector



Dust gray (R737)

ZRU.10B1E

[G] Plate holder



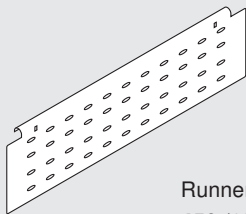
Dust gray (R737)

Overall height =
171 (6-3/4")

Plate size range
180(7") - 320(12-1/2")

ZTH.0350

[E] H height BOXSIDE



Runner length	Gray (R906) or Nickel (Ni)
450 (18")	Z36H417SE01
500 (20")	Z36H467SE01
550 (22")	Z36H517SE01

[B] + [F] x 2

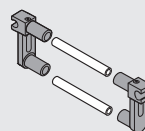


Length = inside cabinet width minus 77 (3")

Accessories

page 48

[B] x 2 + [C] x 2



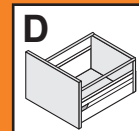
Length = inside cabinet width minus 67 (2-5/8")

Assembly / Adjustment

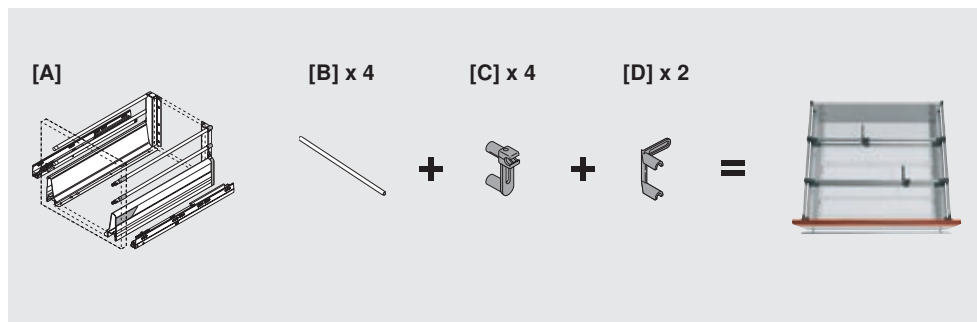
page 52

Assembly aids

page 56



Food storage



Pots / pans and plastic container storage

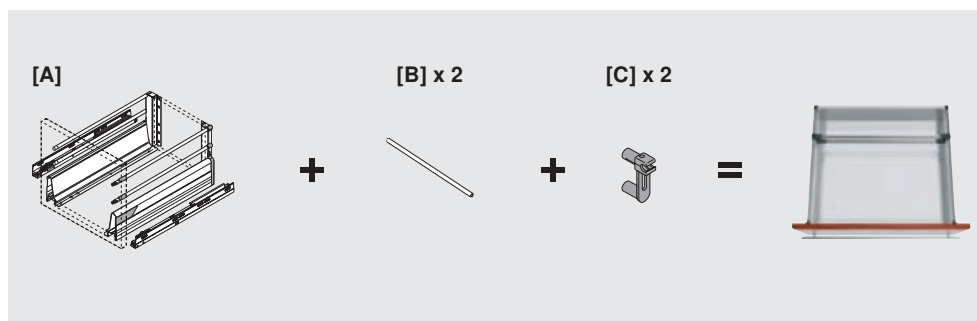
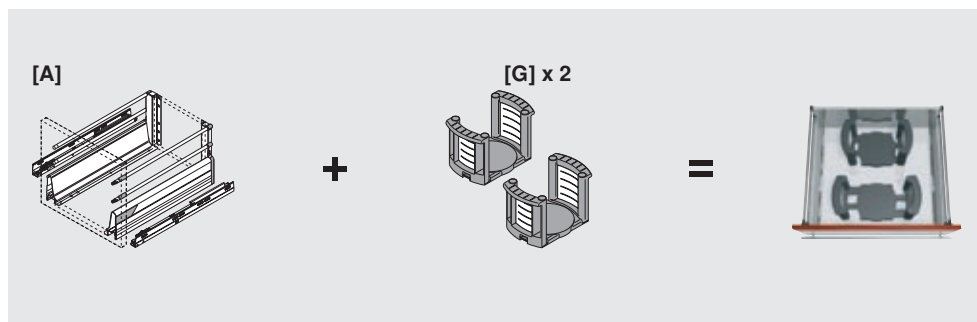
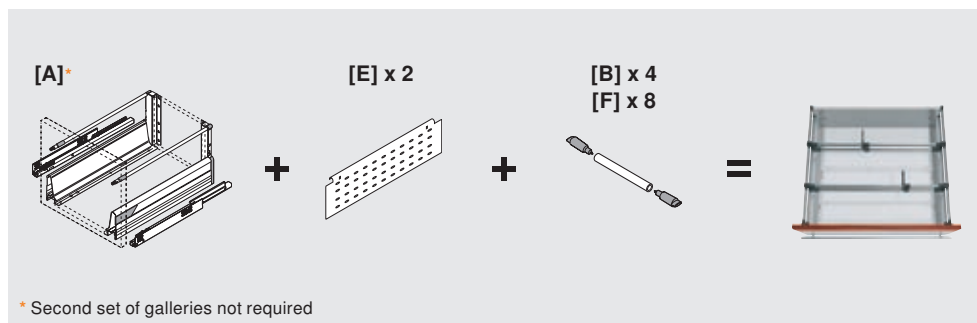


Plate storage

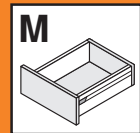


Food storage with BOXSIDE

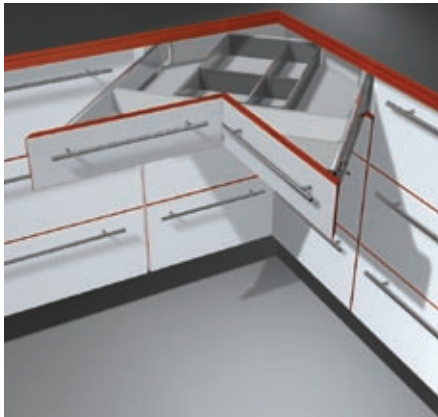


Note: 559 heavy duty cabinet profiles are recommended if drawer weight including contents exceeds 75 lb.

TANDEMBOX SPACE CORNER - utensil application



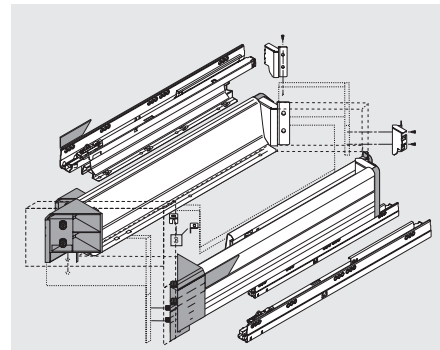
Product



Description

- ORGA-LINE flexible dividing system
- High quality stainless steel utensil dividers combined with wear resistant nylon parts in dust gray (R737)
- For TANDEMBOX M back height drawers

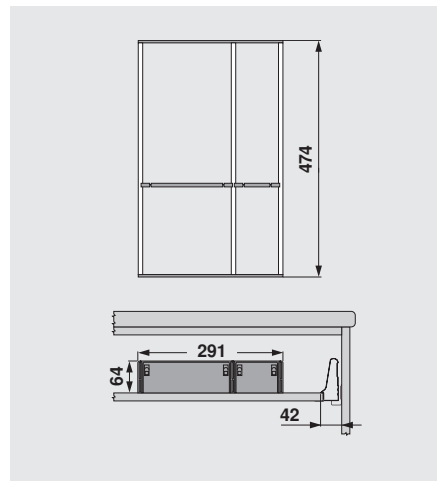
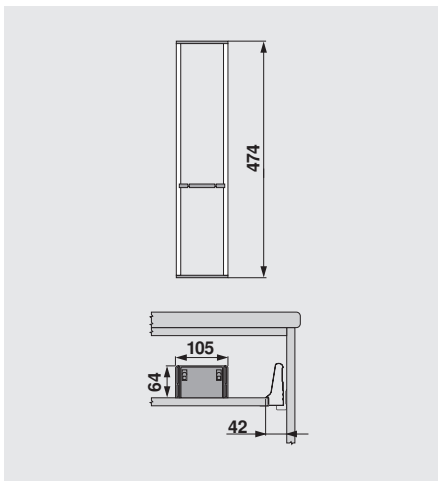
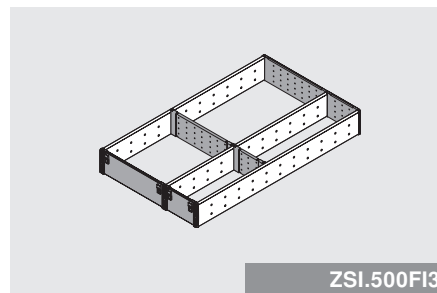
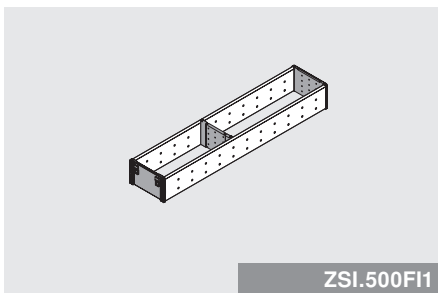
Basic component



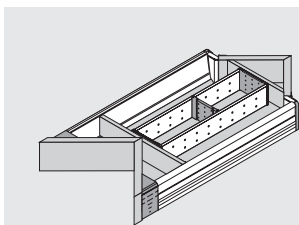
M height drawer

page 36

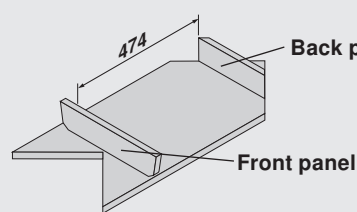
Utensil organizer kits



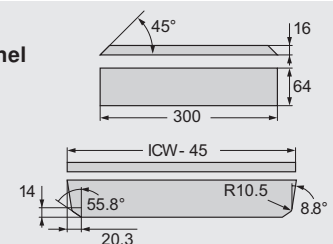
Corner drawer preparation for ORGA-LINE



In order to use ORGA-LINE drawer divider systems in an M height corner drawer, the drawer must be fitted with two vertical wooden cross dividers that are spaced 474mm apart.



ICW = Inside cabinet width



Accessories

page 48

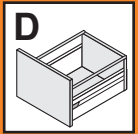
Assembly / Adjustment

page 52

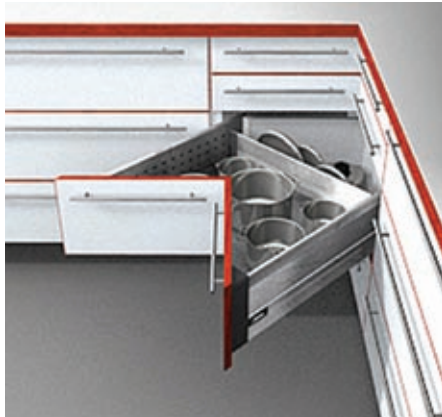
Assembly aids

page 56

TANDEMBOX SPACE CORNER - pots/plasticware app.



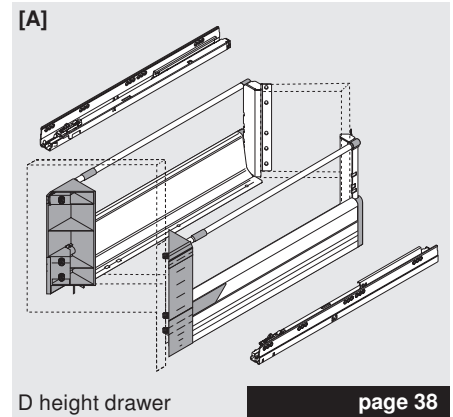
Product



Description

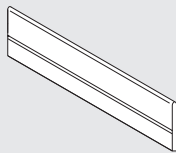
- Application for pots, pans, plates and plastic containers
- For TANDEMBOX D back height drawers
- ORGA-LINE flexible dividing system

Basic component



Organization parts

[B] Cross divider



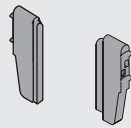
1077 (42-3/8")
cut to size

W = inside cabinet width
minus 91 (3-1/2")

Gray (R906) or Nickel (Ni)

Z40H1077A

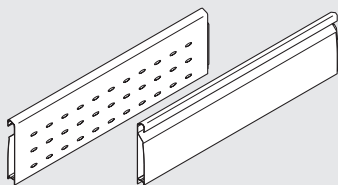
[C] Spring connector



Dust gray (R737)

Z40H000A

[D] Double-wall BOXSIDE set (right & left)



600 (24")

Gray (R906)

Z37H568S.E

Stainless steel (Inox)

Z37H568I.E

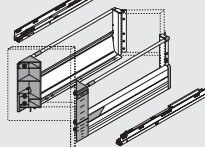
650 (26")

Z37H618S.E

Z37H618I.E

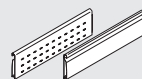


[A]



+

[D] x 1



+

[B]
[C] x 2



=



Accessories

page 48

Assembly / Adjustment

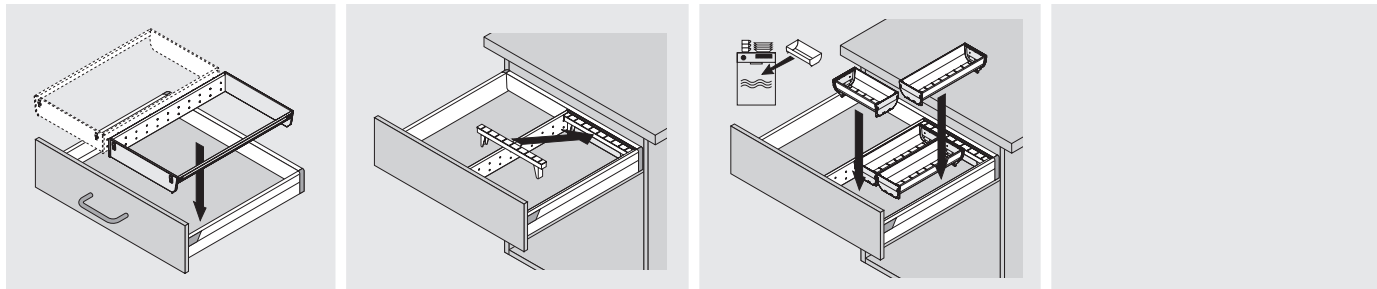
page 52

Assembly aids

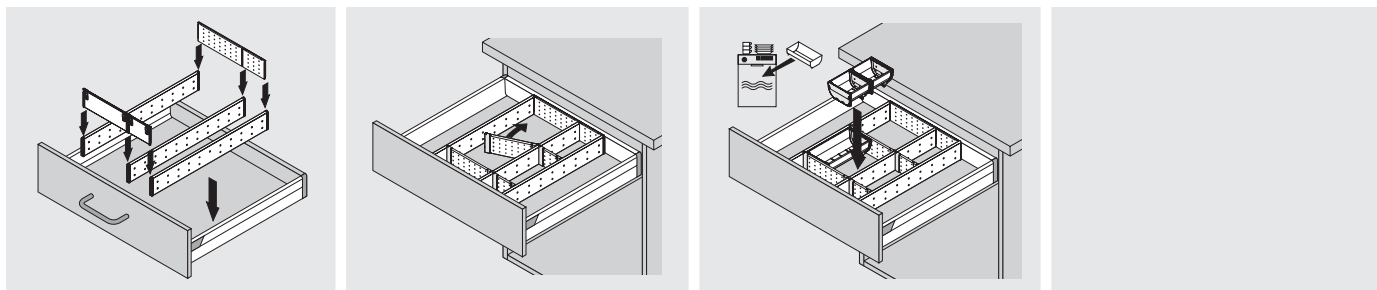
page 56



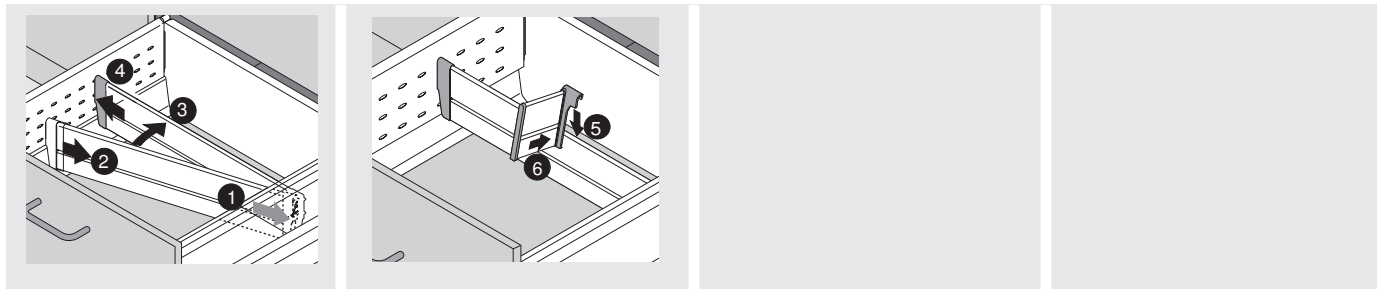
ORGA-LINE cutlery tray assembly



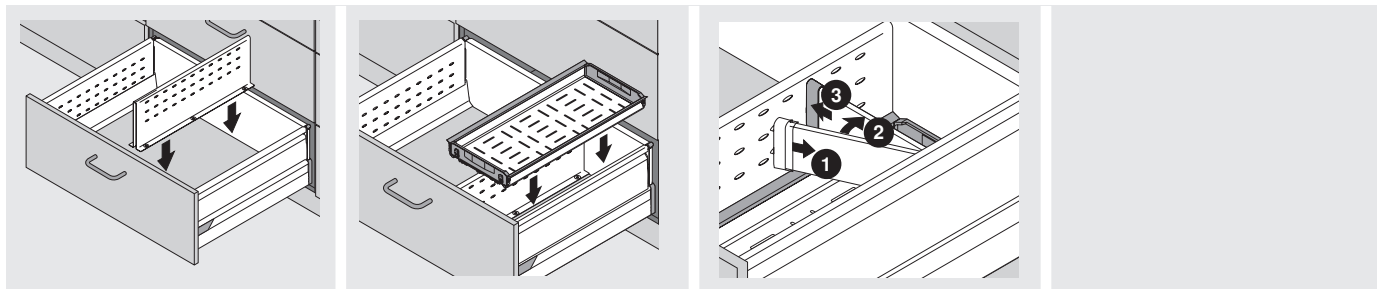
ORGA-LINE utensil tray assembly



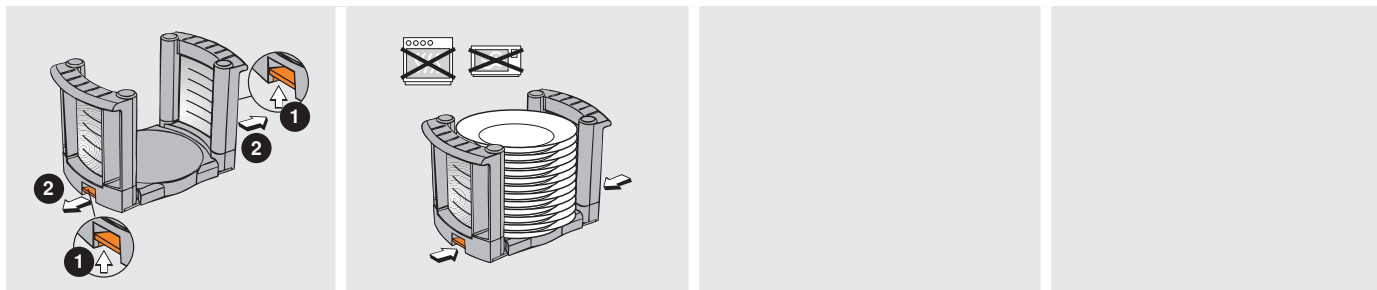
ORGA-LINE - cross divider insertion



ORGA-LINE - food / bottle storage assembly



ORGA-LINE plate holder



Information is also available on these other Blum products:

- Angled hinge program
- CLIP top hinge program
- COMPACT concealed hinges for frame cabinets
- Concealed hinges: INSERTA, CLIP and MODUL
- Machines and assembly aids
- MAXUS institutional hinges
- METABOX drawer system
- POCKET DOOR hardware
- STANDARD drawer runners
- SOLO concealed runners
- TANDEM concealed runners
- TANDEMBOX drawer system
- ORGA-LINE for TANDEMBOX drawers

Julius Blum, Inc.
7733 Old Plank Rd.
Stanley, NC 28164
toll free 800-438-6788
local 704-827-1345
fax 704-827-0799
internet www.blum.com



The ultimate hardware system

