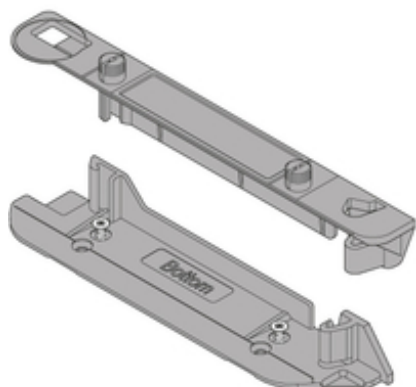


Product details

SERVO-DRIVE top and bottom adapter set for horizontal strecher rail



Part number	Z10D01E0.01
Item number	03061821
Color / finish	R7037 dust gray
Packaging quantity	1 / 25
Weight per 1,000 Pcs in kg	75.93
EAN code	9002617885545
UPC code	

Technical attributes

Attribute	Value
type	SERVO-DRIVE bracket profile adapter
material	Nylon
color / finish	RAL 7037 dust gray
mounting method	EXPANDO
version	Overlay bottom
version	with cable
version	Bracket profile for cutting to size
cable excess length	800
length	183
thickness	17.5