



Concealed Hinges

Premium Hinge Systems for Cabinet Doors

blum.com

 **blum**[®]

Elegant design, superior function

Silent and effortless, that's how cabinet doors close with Blum hinges – regardless of the weight or closing speed.

CLIP top BLUMOTION hinges have the soft close mechanism integrated in the hinge cup, and continues to provide the quality of motion you have come to expect from Blum.

 **blum**





Contents

Concealed hinges

- 4** Product Overview
- 6** CLIP Testing Standards
- 7** General Specifications - CLIP
- 11** Hinge Program Overview
- 12** CLIP top BLUMOTION
- 24** Onyx Black
- 27** CLIP top
- 43** CLIP
- 44** Angled Hinges
- 56** CLIP Accessories
- 58** CLIP Mounting Plates
- 64** BLUMOTION for doors
- 72** TIP-ON for doors
- 78** COMPACT Testing Standards
- 79** General Specifications - COMPACT
- 81** COMPACT BLUMOTION
- 86** COMPACT
- 93** COMPACT Accessories
- 94** Machines
- 98** Assembly Aids
- 102** Part Number Index

Product Overview



CLIP top BLUMOTION

Soft close BLUMOTION is integrated into the hinge so additional assembly processes are no longer necessary after adjustment is complete.



CLIP top

Like other CLIP hinges, CLIP top enables easy three-dimensional adjustment with Blum's spiral tech depth adjustment.



CLIP

The tried and tested CLIP mechanism offers simple, tool-free hinge assembly. The industry standard for tool-free attachment since 1985.



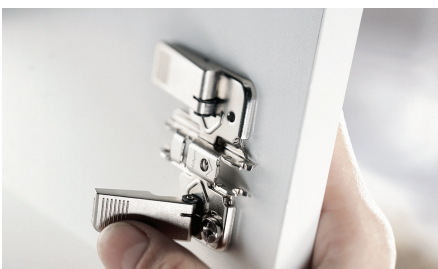
Angled hinges

Angled hinges provide a tremendous array of possibilities for the professional cabinet designer. Specifically designed for frameless constructed cabinets, the system accommodates cabinet front angles from -45° to $+45^{\circ}$, in 5° increments.



CLIP accessories

Blum offers a wide range of accessories from spacers to restriction clips that support a variety of applications. A selection of customizable cover caps enables the customer to enhance and personalize each hinge.



CLIP mounting plates

CLIP top BLUMOTION works with all current CLIP mounting plates so you can start using this new hinge right away with little change to production.

BLUMOTION for doors

Soft close BLUMOTION add-on upgrade option available for CLIP top, CLIP and COMPACT hinges. Easy to install and offers the same quality of motion as BLUMOTION hinges.



TIP-ON for doors

Designed for frameless or face frame (blocked out) cabinet applications. Works with CLIP top BLUMOTION, CLIP top and CLIP free swing and self close hinges. Ideal for handleless cabinets, doors can be opened easily with TIP-ON – a light touch is all that's needed.



COMPACT BLUMOTION

COMPACT BLUMOTION hinges have the soft closing mechanism integrated directly in the hinge cup. They are available for most overlay face frame applications or door styles and are interchangeable with current COMPACT hinges so no need to change existing setups or workflows.



COMPACT accessories

Blum's COMPACT hinges program has proven itself as the high quality solution for face frame cabinets for over 30 years and continue to provide the quality of motion you have come to expect from Blum hardware.



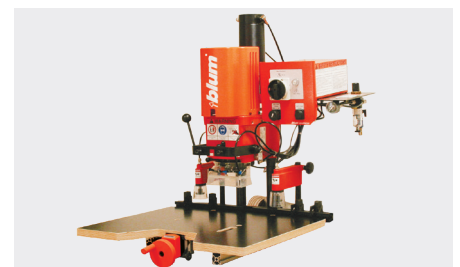
Assembly aids

Blum assembly aids support the assembly of all Blum products. They have proven to be the very best aids when it comes to day-to-day assembly. Their combination of high precision and practical benefits are valued both in workshops and directly on-site with the customer.



Machines and accessories

The wide range of drilling and insertion machines available from Blum ensures just the right solution no matter what the assembly requirement. Quick setup and easy operation ensure efficient assembly and a high-quality end result.



Conditions for Tests

Blum, Inc. does a great deal of testing to ensure that the quality of our hardware is consistent with the usual high standards that our customers have come to expect from Blum. For this reason we have rigorous testing procedures which are carried out from the development stage through production. Blum's internal testing standards are based on practical applications of our products and are more stringent than what is required by ANSI/BHMA.

NOTE: All Blum hinges meet or exceed ANSI/BHMA A156.9 Grade 2 requirements. All concealed hinges are designed for indoor use.

ISO 9001

Blum, Inc. is ISO 9001 certified which means that you are assured of consistent quality in every Blum product.

ANSI/BHMA

All Blum runners meet or exceed ANSI/BHMA A156.9 Grade 1 requirements. Contact your local Blum representative for more details.



Cycle test	
Specifications	<ul style="list-style-type: none"> Door size – 23-5/8" height, 23-5/8" width, 3/4" thickness Door weight –14.3 lb for cycle tests Door weight – 18.5 lb for load and over push tests Boring distance – 5 mm
Distance between hinges	<ul style="list-style-type: none"> 16-15/16"
Hinge and mounting plate attachment	<ul style="list-style-type: none"> Hinges are mounted to test blocks and attached to test door and stand with clamps Test blocks for door: Particle board Test blocks for mounting plate: Particle board

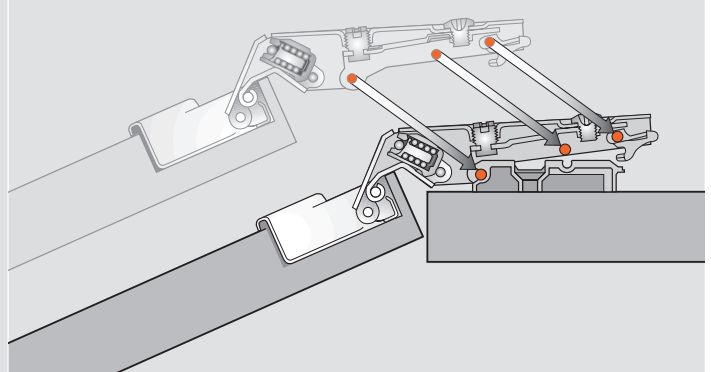
Cycle test			
	Without load <ul style="list-style-type: none"> 200,000 opening and closing cycles for all CLIP hinges 		With load <ul style="list-style-type: none"> 11 lb extra weight is applied for 100,000 opening and closing cycles
	Positive test result		

Load test			
	Static load <ul style="list-style-type: none"> 67 lb applied ten times for five seconds, each at 45° opening angle 		Dynamic load <ul style="list-style-type: none"> 44 lb extra weight applied for fifty opening and closing cycles
	Positive test result		

Over push test		
	Without load <ul style="list-style-type: none"> CLIP hinges – Increasing forces up to 11 lb applied for a total of five times for a total of five seconds each 	
	Positive test result	

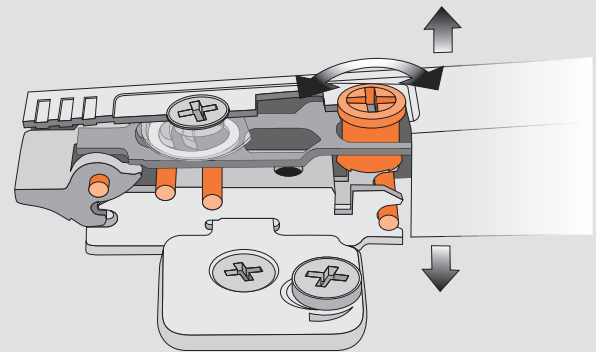
Blum three-point contact

CLIP top BLUMOTION, CLIP top and CLIP hinges have three-point contact between the hinge and mounting plate to keep them firmly connected under heavy usage.



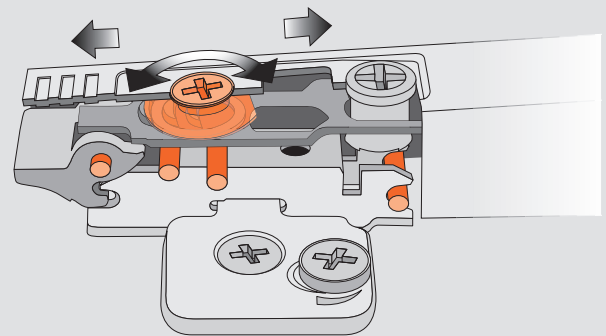
Side adjustment

Blum's side adjustment is a flush screw head that allows 4 mm of adjustment. It also has an integral stop that prevents removal.



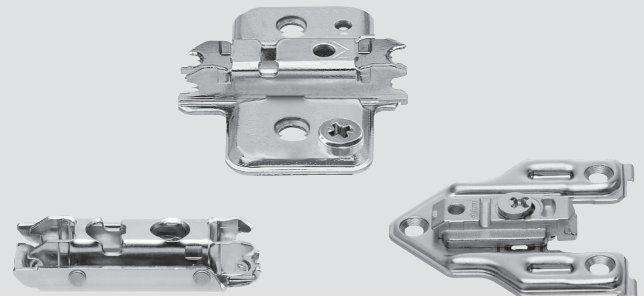
Spiral tech depth adjustment

With Blum's spiral tech depth adjustment just one and three quarter revolutions of the screw creates 5 mm of adjustment without loosening and retightening a fixing screw.



Wide variety of mounting plates

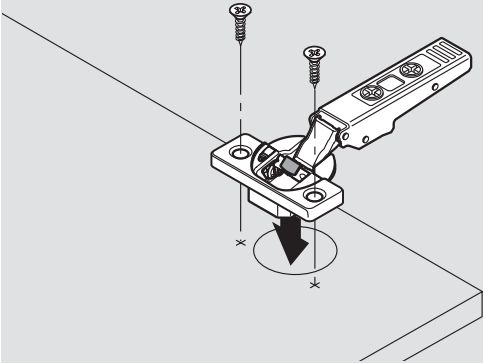
Blum has mounting plates for every application from wing plates with pre-attached screws or dowels and cam height adjustable face frame adapters, to sleek in-line mounting plates.



Hinge-to-Door Attachment

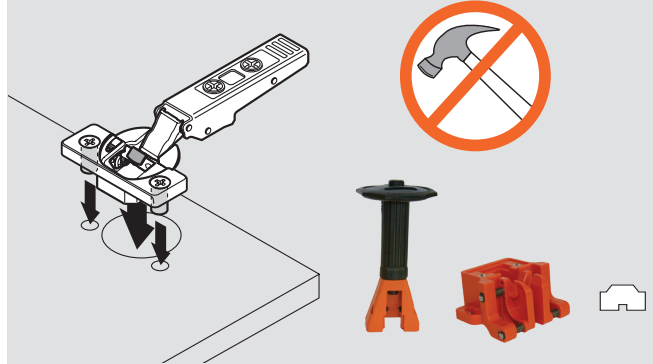
Screw-on

Use #6 wood screws



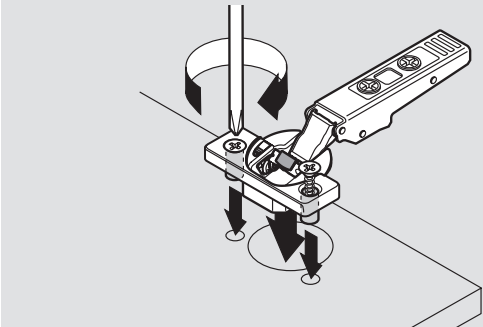
Press-in

Pre-attached Ø8 dowels installed with Blum knock-in tool or MINIPRESS with an insertion ram



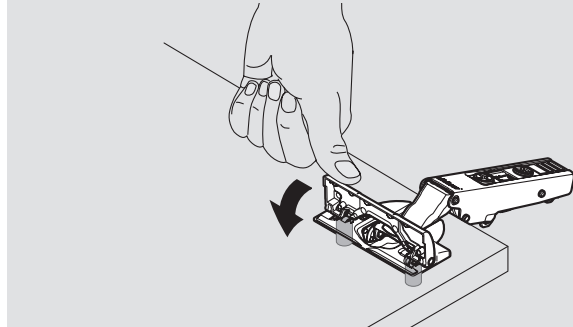
EXPANDO

Pre-attached expanding Ø8 mm dowels



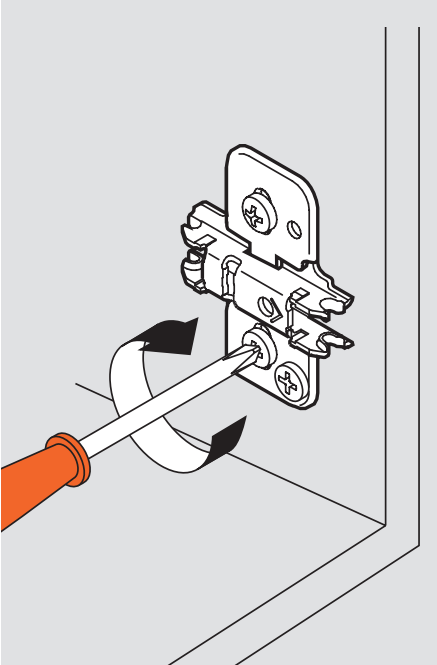
INSERTA

Tool-free attachment with INSERTA expanding Ø8 mm dowels



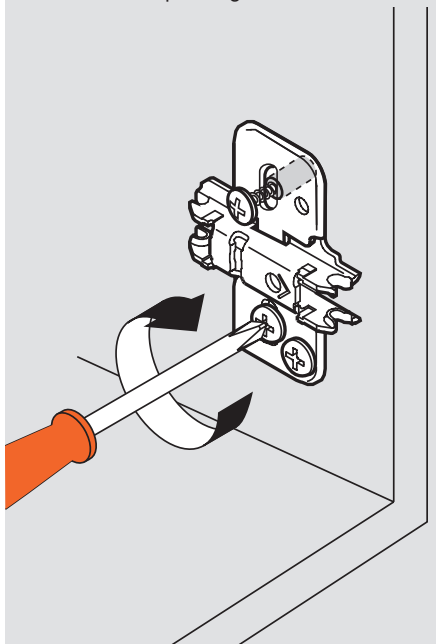
Mounting Plate-to-Cabinet

Screw-on



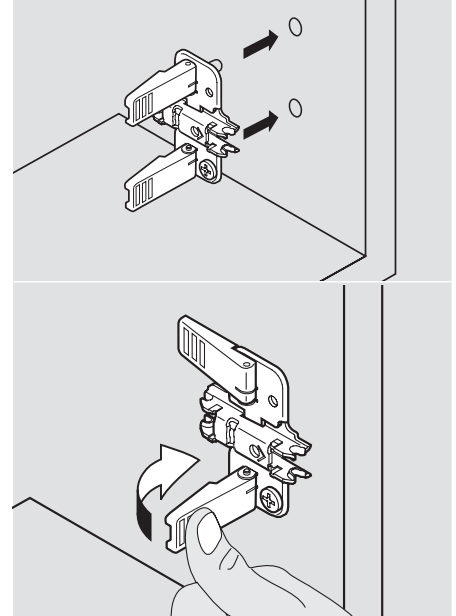
EXPANDO

Pre-attached expanding Ø5 mm dowels



INSERTA

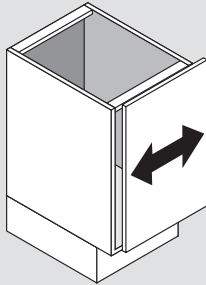
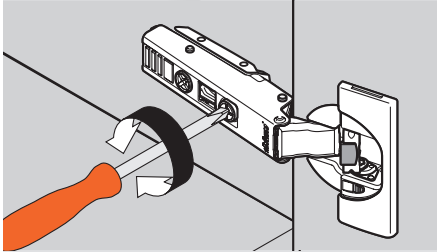
Tool-free attachment with INSERTA expanding Ø5 mm dowels



Three-Dimensional Adjustment

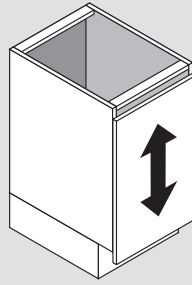
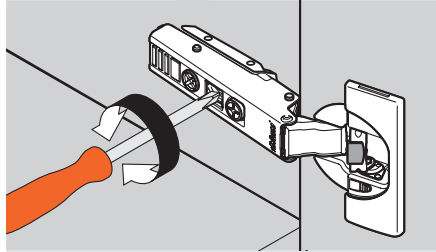
Side adjustment

Rotate front screw to increase or decrease door overlay (± 2 mm)



Height adjustment

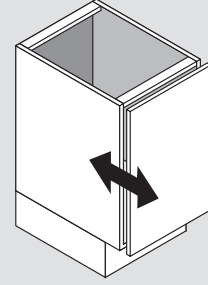
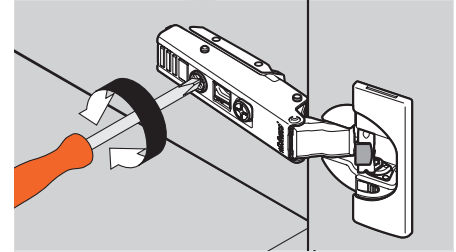
Rotate cam screw on mounting plate to adjust door position (± 2 mm)



NOTE: On non-cam mounting plates, loosen screws, adjust door and retighten screws

Depth adjustment

Rotate rear spiral tech cam screw to adjust door gap ($+3$ mm, -2 mm)

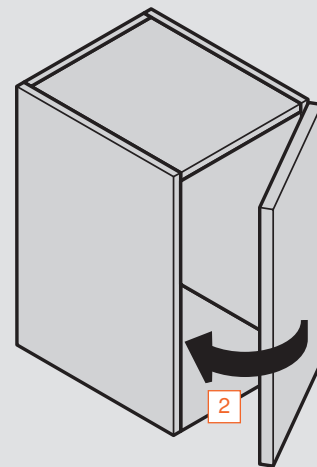
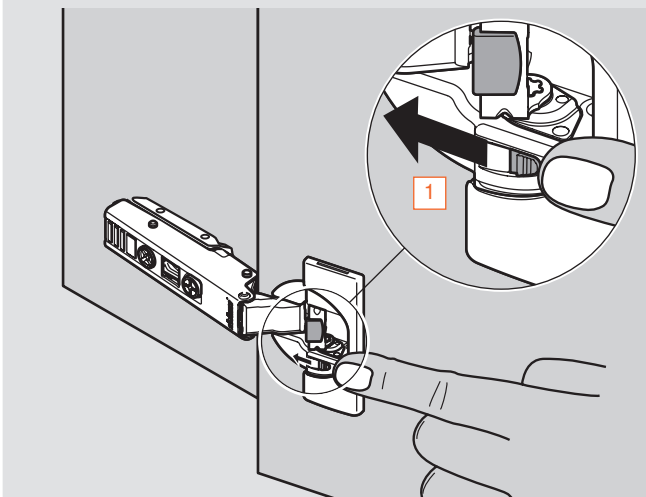


BLUMOTION Deactivation

Deactivation switch on hinge cup

For small or light doors, the BLUMOTION can be deactivated on one of the hinges

Door must be closed once for the deactivation to be complete. To reactivate, move switch back to original position.



i Temperature information

CLIP top BLUMOTION is designed to be used at temperatures between 65° and 85°F. Lower or higher temperatures will not cause damage to the hinge, however they will affect the closing speed. Once the temperature returns to the suggested range the hinge will return to its optimal closing action.

Blum's Concealed hinges brochure makes it easy to use our Euro hinges. Each page shows information for both face frame and Frameless applications. The top row shows the hinge in a face frame cabinet and the center row shows it in a frameless cabinet. The bottom holds the overlay/reveal tables and hinge part numbers.

Minimum reveal

To determine the minimum reveal, use the table in the upper right hand corner of each page.

Face frame construction

To use Euro hinges in a face frame cabinet, use the top row.

Frameless construction

To use Euro hinges in a frameless cabinet, use the center row.

Overlay and reveal tables

To determine the overlay and reveals, use the tables at the bottom of each column.

Select hinge

Select the appropriate hinge from the bottom of each column. Screw-on, press-in, EXPANDO and INSERTA are available for most hinges.

Hinges

CLIP top BLUMOTION 110°

- BLUMOTION integrated into the hinge cup
- Deactivation switch for small/light doors
- For door thicknesses up to 26 (1")
- Overload safety feature
- 86° angle restriction clip available (70T3553)
- Compatible with existing CLIP mounting plates and hinge arm cover caps

Minimum reveal table					
3	0.5	1.0	1.8	2.7	4.3
4	0.5	1.0	1.7	2.5	3.8
5	0.5	0.9	1.7	2.4	3.4
6	0.5	0.9	1.6	2.3	3.2
7	0.5	0.9	1.6	2.2	3.0
B = boring distance	16	19	22	24	26
T = door thickness					

Thickness greater than 26 trial recommended

Overlay
Frame

Partial/twin overlay
Frame

Inset
Frame

Frameless

Frameless

Frameless

H	Overlay	P	S	H	Overlay	P	S	H	Reveal	P	S
0	14 15 16 17 18	12	21.5	0	4.5 5.5 6.5 7.5 8.5	21.5	31	0	4 3 2 1	-	30 39.5
3	11 12 13 14 15	15	24.5	3	4 5 6 7	Fixed distance = 1.5		9	4.5 3.5 2.5 1.5	0.5	30.5 40
4.5	9.5 10.5 11.5 12.5 13.5 16.5	26			B = boring distance			3	4 5 6 7	Fixed distance = 0 = 7 9 = 1.5	
6	8 9 10 11 12 18	27.5		H <th>Reveal</th> <th>W</th> <th>P</th> <th>S</th> <td colspan="3"></td>	Reveal	W	P	S			
9	5 6 7 8 9 21	30.5		0	7 5 3 1	-	16				
	3 4 5 6 7	Fixed distance = 11		0	10 8 6 4 2	19	21.5	31			
	B = boring distance			13	11 9 7 5	22					
				3	4 5 6 7						

NOTE: 4.5 plate is only for use in frame cabinets, 9 plate is only for panel cabinets

Straight-arm	Self close	Half-cranked	Self close	Full-cranked	Self close
Screw-on	71B3550	Screw-on	71B3650	Screw-on	71B3750
Press-in	71B3580	Press-in	71B3680	Press-in	71B3780
INSERTA	71B3590	INSERTA	71B3690	INSERTA	71B3790
EXPANDO	71B358E				

Step-by-step – the following example is based on a panel cabinet with an overlay

Step 1 – Determine cabinet construction

Face frame

Frameless

Step 2 – Determine the overlay or reveal

Overlay

Partial/twin overlay

Inset

Step 3 – Find boring distance and mounting plate height

Based on your overlay use the table to determine the mounting plate height and boring distance needed.

H	Overlay	P	S
0	14 15 16 17	10	21
3	11 12 13 14	13	24
4.5	9.5 10.5 11.5 12.5 14.5	14.5	25.5
6	8 9 10 11	16	27
9	5 6 7 8	19	30
	3 4 5 6	fixed distance = 11	

NOTE: 4.5 plate is only for use in face frame cabinets, 9 plate is only for panel cabinets

Step 4 – Check minimum reveal table

All minimum reveal tables are based on square edge door with a 1 mm radius. A larger radius or profile door will change the minimum reveal required.

Minimum reveal table					
3	0.6	1.0	1.3	1.7	2.5
4	0.6	1.0	1.3	1.6	2.4
5	0.6	1.0	1.2	1.5	2.2
6	0.6	1.0	1.2	1.4	2.0
B = boring distance	16	18	19	20	22
T = door thickness					

CLIP top BLUMOTION	Page
110°	12
110°+	13
95° thick door	14
155° zero protrusion	15
155° special applications	16
125° zero protrusion	18
125° special applications	19
110° diagonal 45°	20
95° inset blind corner	21
95° overlay blind corner	22
95° narrow aluminum	23

Onyx Black	Page
110°	24
110°+	24
95° thick door	24
155° zero protrusion	25
Special applicaitons	25
Mounting plates	26
Accessories	26

CLIP top	Page
107°	27
110°	28
110°+	29
120°	30
120°+	31
95° thick door	32
170°	33
170° special applications	34
155° zero protrusion	35
60° bi-fold	36
95° inset blind corner	37
95° overlay blind corner	38
120° aluminum	39
110° diagonal 45°	40
95° mini	41
95° glass door	42

CLIP	Page
100°	43

Angled	Page
CLIP top BLUMOTION and CLIP top	44

CLIP accessories	Page
Cover caps	56
Angle restriction clips	57
Mounting plates	58
BLUMOTION for doors	64
TIP-ON for doors	72

COMPACT BLUMOTION	Page
38N for partial overlay	81
39C for full overlay	82
38C for full overlay	83
38B for face mount	84
Accessories	85

COMPACT	Page
38N for partial overlay	87
39C for full overlay	88
38C for full overlay	89
33 for partial and full overlays	90
BLUMOTION for COMPACT	92
Accessories	93

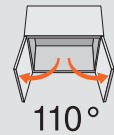
Machines and assembly aids	Page
Machines	94
Machine accessories	95
Assembly aids	98

Part number index	Page
Part numbers	102

Hinges



CLIP top BLUMOTION 110°



Features

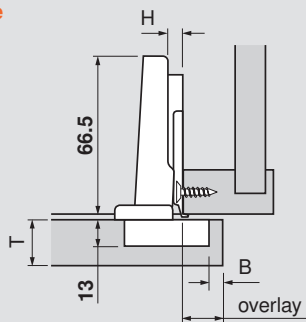
- BLUMOTION integrated into the hinge cup
- Deactivation switch for small/light doors
- For door thicknesses up to 26 (1")
- Overload safety feature
- 86° angle restriction clip available (70T3553)
- Compatible with existing CLIP mounting plates and hinge arm cover caps

Minimum reveal table						
3	0.5	1.0	1.8	2.7	4.3	
4	0.5	1.0	1.7	2.5	3.8	
5	0.5	0.9	1.7	2.4	3.4	
6	0.5	0.9	1.6	2.3	3.2	
7	0.5	0.9	1.6	2.2	3.0	
B = boring distance	16	19	22	24	26	T = door thickness

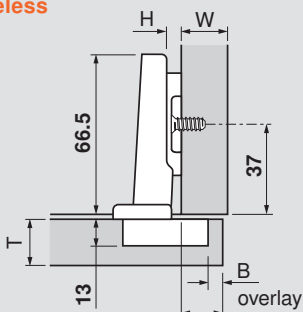
Thickness greater than 26 trial recommended

Overlay

Frame

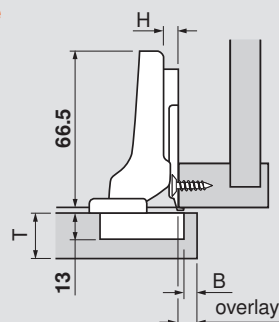


Frameless

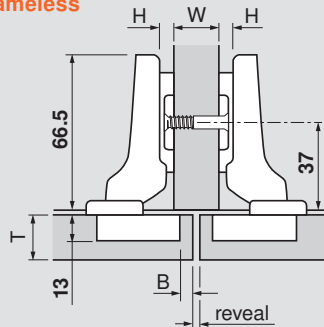


Partial/twin overlay

Frame

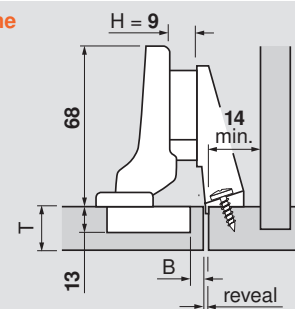


Frameless



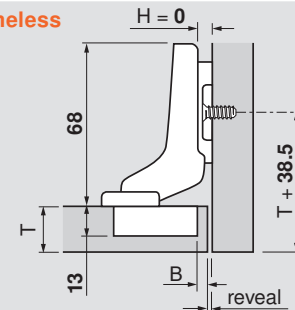
Inset

Frame



NOTE: Application requires a half-cranked hinge and mounting plate 175H5030.21

Frameless



NOTE: See page 57 for angle restriction clip instructions and details

H	Overlay						P	S
0	14	15	16	17	18	12	21.5	
3	11	12	13	14	15	15	24.5	
4.5	9.5	10.5	11.5	12.5	13.5	16.5	26	
6	8	9	10	11	12	18	27.5	
9	5	6	7	8	9	21	30.5	
	3	4	5	6	7	Fixed distance = 11		
	B = boring distance							

NOTE: 4.5 plate is only for use in frame cabinets, 9 plate is only for frameless cabinets

H	Overlay					P	S	
0	4.5	5.5	6.5	7.5	8.5	21.5	31	
	3	4	5	6	7	Fixed distance = 1.5		
	B = boring distance							
H	Reveal					W	P	S
0	7	5	3	1	-	16		
	10	8	6	4	2	19	21.5	31
	13	11	9	7	5	22		
	3	4	5	6	7	B = boring distance		

H	Reveal					P	S
0	4	3	2	1	-	30	39.5
9	4.5	3.5	2.5	1.5	0.5	30.5	40
	3	4	5	6	7	Fixed distance: 0 = -7, 9 = 1.5	
	B = boring distance						

Abbreviations

H	=	Plate height
P	=	Door protrusion
S	=	Side arm protrusion
W	=	Side panel width

Straight-arm	Soft close
Screw-on	71B3550
Press-in	71B3580
INSERTA	71B3590
EXPANDO	71B358E

Half-cranked	Soft close
Screw-on	71B3650
Press-in	71B3680
INSERTA	71B3690

Full-cranked	Soft close
Screw-on	71B3750
Press-in	71B3780
INSERTA	71B3790



CLIP top BLUMOTION 110°+

Hinges



CLIP top BLUMOTION

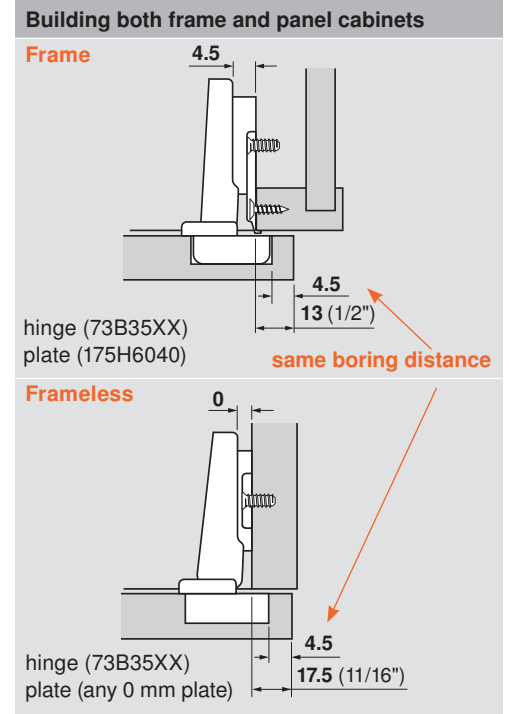
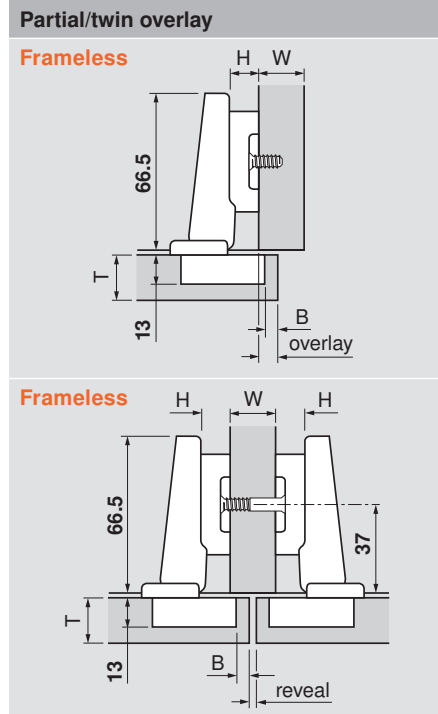
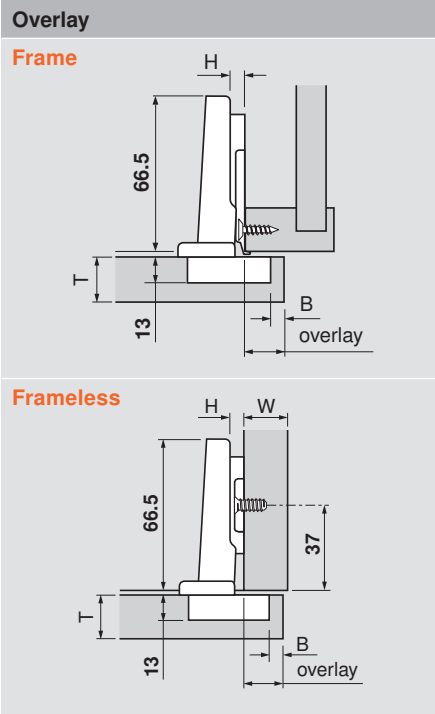
Features

- BLUMOTION integrated into the hinge cup
- Deactivation switch for small/light doors
- For door thicknesses up to 26 (1")
- Overload safety feature
- For door overlays up to 22 mm
- 86° angle restriction clip available (70T3553)
- Compatible with existing CLIP mounting plates and hinge arm cover caps



Minimum reveal table						
3	0.5	1.0	1.8	2.7	4.3	
4	0.5	1.0	1.7	2.5	3.8	
4.5	0.5	1.0	1.7	2.5	3.6	
5	0.5	0.9	1.7	2.4	3.4	
6	0.5	0.9	1.6	2.3	3.2	
7	0.5	0.9	1.6	2.2	3.0	
B = boring distance	16	19	22	24	26	
	T = door thickness					

Thickness greater than 26 trial recommended



NOTE: See page 57 for angle restriction clip instructions and details

H	Overlay						P	S
0	16	17	17.5	18	19	20	10	20
3	13	14	14.5	15	16	17	13	23
4.5	11.5	12.5	13	13.5	14.5	15.5	14.5	24.5
6	10	11	11.5	12	13	14	16	26
9	7	8	8.5	9	10	11	19	29
	3	4	4.5	5	6	7	Fixed distance = 13	
	B = boring distance							

NOTE: 4.5 plate is only for use in frame cabinets, 9 plate is only for frameless cabinets

H	Overlay						P	S	
9	7	8	8.5	9	10	11	19	29	
	3	4	4.5	5	6	7	Fixed distance = 13		
	B = boring distance								
H	Reveal						W	P	S
	2	-	-	-	-	-	16		
9	5	3	2	-	-	-	19	19	29
	8	6	5	4	-	-	22		
	3	4	4.5	5	6	7			
	B = boring distance								

The most common overlays for frame and panel cabinets can be achieved by using the same machine setting for hinge cup boring.

Bore all doors at 4.5 mm to achieve:

- 13 (1/2") overlay on frame cabinets
- 17.5 (11/16") overlay on panel cabinets

Advantages:

- One machine setting for boring all doors
- Same hinge used for both applications

Straight-arm	Soft close
Screw-on	73B3550
Press-in	73B3580
INSERTA	73B3590
EXPANDO	73B358E

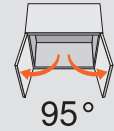
Straight-arm	Soft close
Screw-on	73B3550
Press-in	73B3580
INSERTA	73B3590
EXPANDO	73B358E

Abbreviations	
H	= Plate height
P	= Door protrusion
S	= Side arm protrusion
W	= Side panel width

Hinges

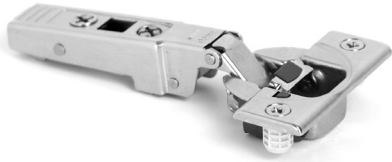


CLIP top BLUMOTION 95° Thick Door



Features

- BLUMOTION integrated into the hinge cup
- Deactivation switch for small/light doors
- For door thicknesses up to **30** (1-3/16")
- Overload safety feature
- Compatible with existing CLIP mounting plates and hinge arm cover caps

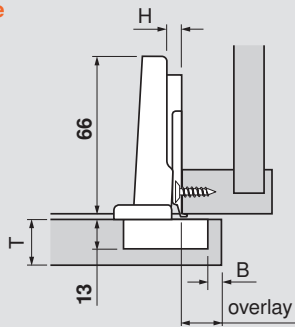


Minimum reveal table							
3	0.4	0.8	1.0	1.5	1.9	2.8	3.6
4	0.4	0.7	1.0	1.4	1.8	2.5	3.1
5	0.4	0.7	1.0	1.4	1.8	2.3	2.7
6	0.4	0.7	1.0	1.4	1.8	2.2	2.5
7	0.4	0.7	0.9	1.4	1.7	2.1	2.4
B = boring distance	19	22	24	26	28	29	30
T = door thickness							

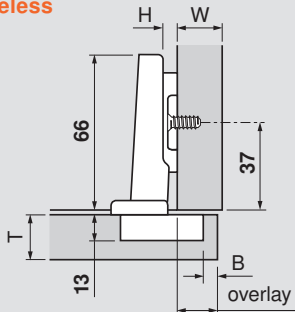
Thickness greater than **30** trial recommended

Overlay

Frame

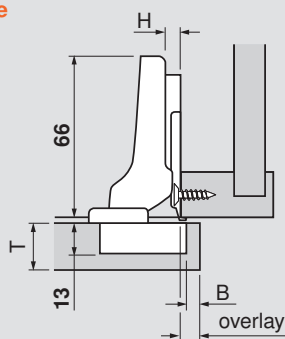


Frameless

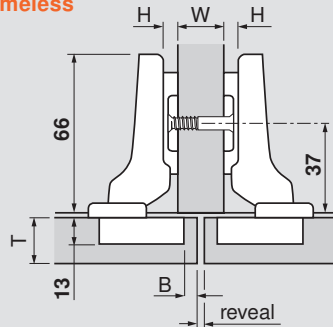


Partial/twin overlay

Frame

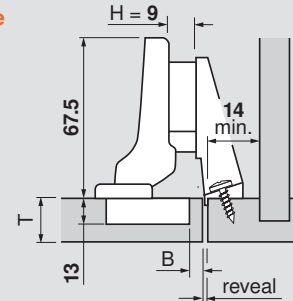


Frameless



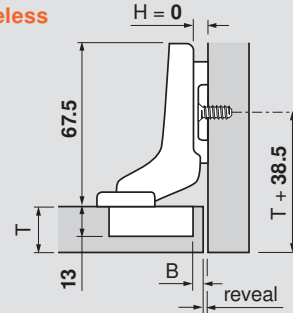
Inset

Frame



NOTE: Application requires a half-cranked hinge and mounting plate 175H5030.21

Frameless



H	Overlay							P	S
0	14	15	16	17	18	14.5	22		
3	11	12	13	14	15	17.5	25		
4.5	9.5	10.5	11.5	12.5	13.5	19	26.5		
6	8	9	10	11	12	20.5	28		
9	5	6	7	8	9	23.5	31		
	3	4	5	6	7	Fixed distance = 11			
	B = boring distance								

NOTE: 4.5 plate is only for use in frame cabinets, 9 plate is only for frameless cabinets

H	Overlay					P	S
0	4.5	5.5	6.5	7.5	8.5	24	31
	3	4	5	6	7	Fixed distance = 1.5	
	B = boring distance						

H	Reveal					W	P	S
0	7	5	3	1	-	16		
	10	8	6	4	2	19	24	31
	13	11	9	7	5	22		
	3	4	5	6	7	B = boring distance		

H	Reveal					P	S
0	4	3	2	1	-	32.5	40
9	4.5	3.5	2.5	1.5	0.5	33	40.5
	3	4	5	6	7	Fixed distance: 0 = -7 9 = 1.5	
	B = boring distance						

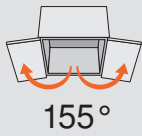
Abbreviations

H	=	Plate height
P	=	Door protrusion
S	=	Side arm protrusion
W	=	Side panel width

Straight-arm	Soft close
Screw-on	71B9550
Press-in	71B9580
INSERTA	71B9590

Half-cranked	Soft close
Screw-on	71B9650
Press-in	71B9680
INSERTA	71B9690

Full-cranked	Soft close
Screw-on	71B9750
Press-in	71B9780
INSERTA	71B9790

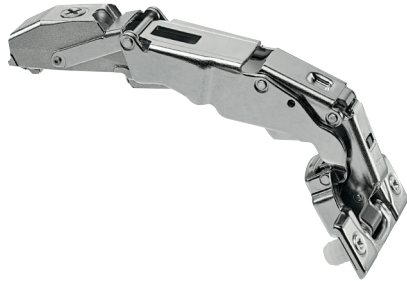


CLIP top BLUMOTION 155° Zero Protrusion

Hinges



CLIP top
BLUMOTION



Features

- For use in cabinets with interior roll-outs
- Three-dimensional adjustment
- Available with INSERTA attachment
- For door thicknesses up to **24** (15/16")
- Angle restriction clips available
- All metal hinge, nickel-plated

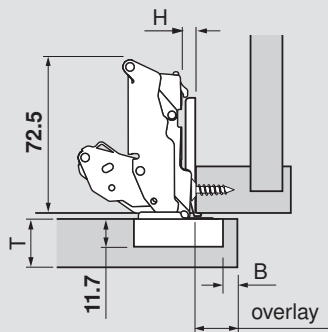
Minimum reveal table						
3	0	0	0	0	0	0
4	0	0	0	0	0	0
5	0	0	0	0	0	0
6	0	0	0	0	0	0
7	0	0	0	0	0	0
8	0	0	0	0	0	0
B = boring distance	16	18	19	20	22	24

T = door thickness

Thickness greater than **24** please see next page

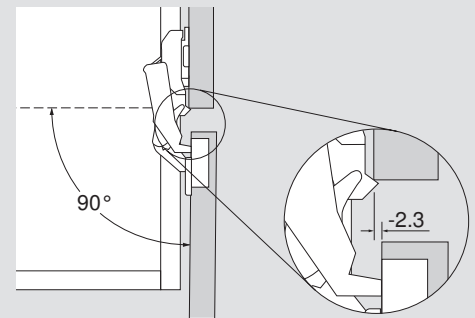
Overlay

Frame



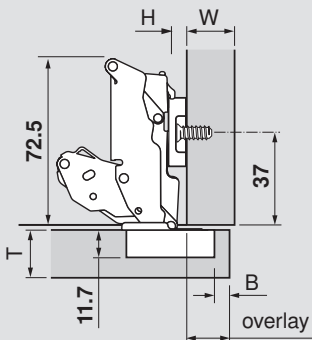
Door protrusion

At a 90° opening, using **0** mm plate, the door will have **-2.3** mm protrusion regardless of boring distance. Use side adjustment to increase or decrease door protrusion.

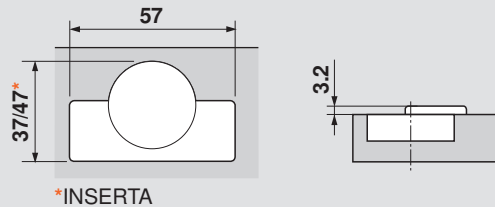


NOTE: Use of **0** mm or **3** mm is recommended for zero protrusion

Frameless



Hinge cup dimensions



Angle restriction clips

110° restriction clip

92° restriction clip



Gray nylon

Gray nylon

Part no.

Part no.

70T7553

70T7553.09

NOTE: For use with 155°/125° zero protrusion hinges. See page 57 for instructions and details.

Abbreviations

H	=	Plate height
P	=	Door protrusion
S	=	Side arm protrusion
T	=	Door thickness
W	=	Side panel width

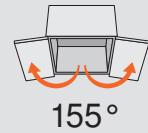
H	Overlay							P	S
0	14	15	16	17	18	19	-2.3	61	
3	11	12	13	14	15	16	0.7	64	
	3	4	5	6	7	8	Fixed distance = 11		
	B = boring distance								

Straight-arm	Soft close
Screw-on	71B7550
Press-in	71B7580
INSERTA	71B7590

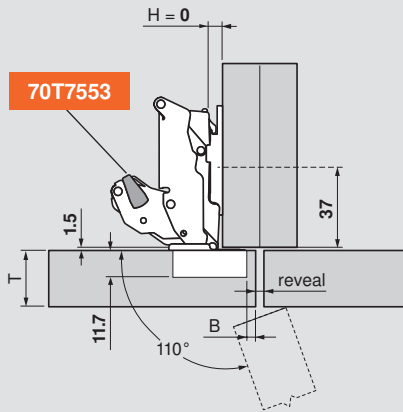
Hinges



CLIP top BLUMOTION 155° Straight-Arm Special Applications



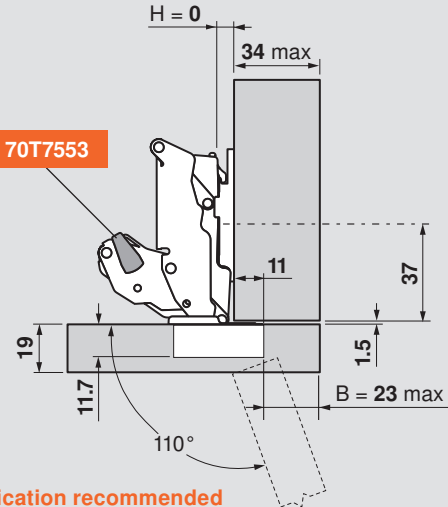
Maximum door thickness



Trial application recommended

NOTE: For thick door applications, you must bore at the specified boring distance listed in the chart below

Maximum door overlay



Trial application recommended

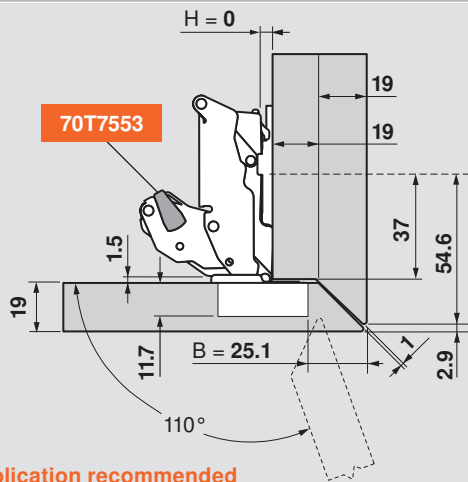
NOTE: Inset application can also be achieved with either a straight-arm hinge with a 18 mm plate or half-cranked hinge with 9 mm plate. Setback of mounting plate would be 38.5 mm + door thickness.

Minimum reveal	T = door thickness						
2	28	27	26	25			
	3	4	5	6	7	*8	
	B = boring distance						

H	Overlay							
0	19	22	24	26	28	30	32	34
	8	11	13	15	17	19	21	23
	B = boring distance							

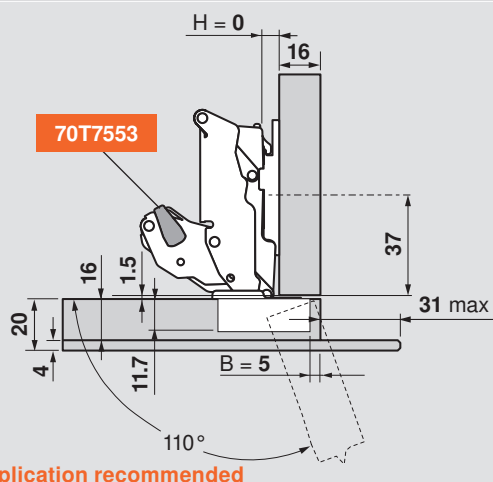
*Minimum reveal is 1 mm on a 25 mm thick door when bored at 8 mm

Mitered door with large overlay



Trial application recommended

Thin facing added to door



Trial application recommended

NOTE: Special applications can be achieved in face frame cabinets by blocking out behind the frame or use of the new CLIP wing plates (pages 62-63)

Straight-arm	Soft close
Screw-on*	71B7550
Press-in*	71B7580
INSERTA*	71B7590

Angle restriction clips

110° restriction clip



Gray nylon
Part no.

70T7553

92° restriction clip



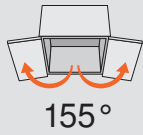
Gray nylon
Part no.

70T7553.09

NOTE: For use with 155°/125° zero protrusion hinges.

Abbreviations

H	= Plate height
P	= Door protrusion
S	= Side arm protrusion
W	= Side panel width

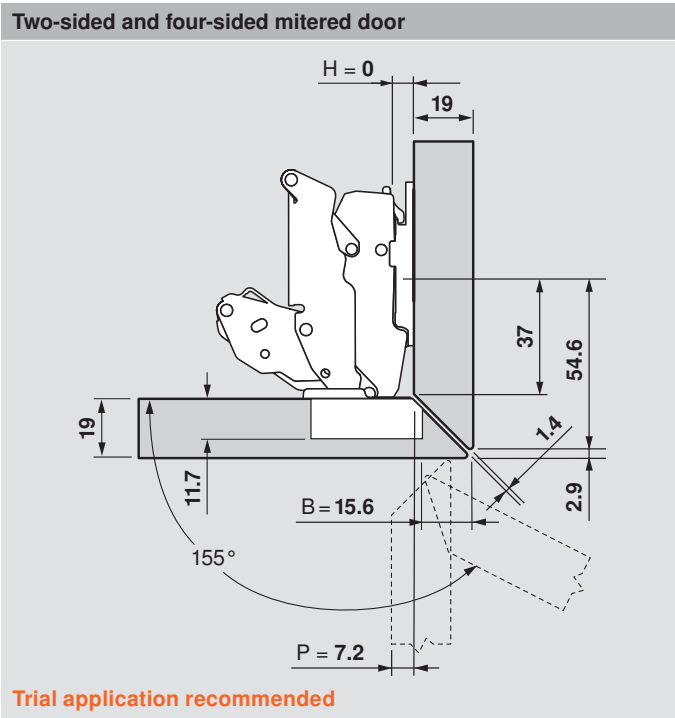
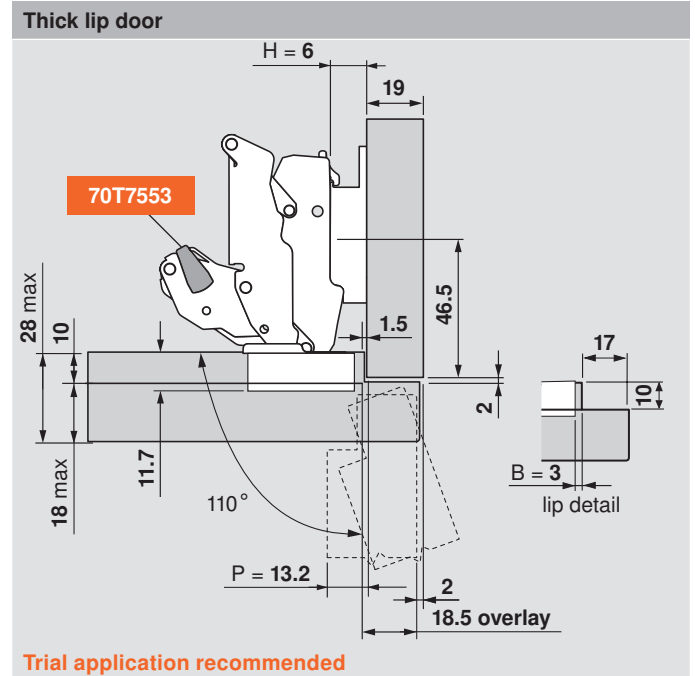
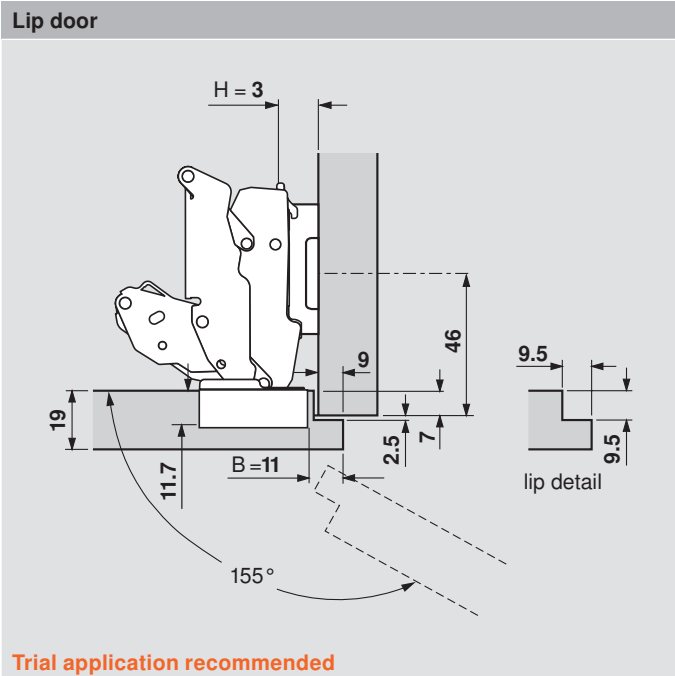


CLIP top BLUMOTION 155° Half-Cranked Special Applications

Hinges



CLIP top
BLUMOTION



Angle restriction clips

110° restriction clip	92° restriction clip
Gray nylon	Gray nylon
Part no. 70T7553	Part no. 70T7553.09

NOTE: For use with 155°/125° zero protrusion hinges. See page 57 for instructions and details.

NOTE: Special applications can be achieved in face frame cabinets by blocking out behind the frame or use of the new CLIP wing plates (pages 62-63)

Half-cranked	Soft close
Screw-on	71B7650
INSERTA	71B7690

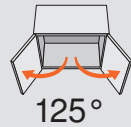
Abbreviations

H	= Plate height
P	= Door protrusion
S	= Side arm protrusion
W	= Side panel width

Hinges



CLIP top BLUMOTION 125° Zero Protrusion for Thicker Doors



Features

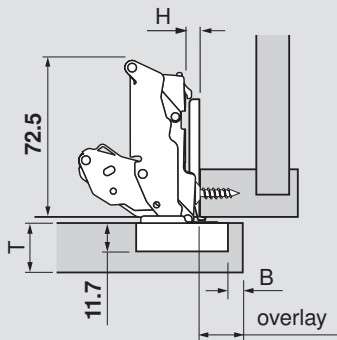
- Zero protrusion hinge for thicker doors
- For use in cabinets with interior roll-outs
- Three-dimensional adjustment
- For door thicknesses up to 30 (1-3/16")
- 92° angle restriction clip available (70T7553)
- All metal hinge, nickel-plated

		Minimum reveal table						
3	0	0	0	0	0	0	0	
4	0	0	0	0	0	0	0	
5	0	0	0	0	0	0	0	
6	0	0	0	0	0	0	0	
7	0	0	0	0	0	0	0	
8	0	0	0	0	0	0	0	
B = boring distance	19	20	22	24	26	28	30	
		T = door thickness						

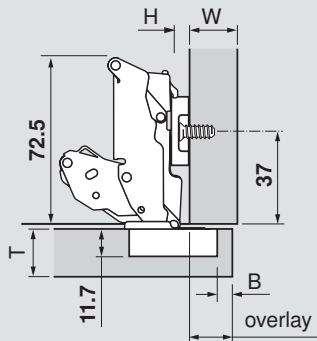
Thickness greater than 30 mm, see next page

Overlay

Frame



Frameless



H	Overlay							P	S
0	14	15	16	17	18	19	-1.7	63	
3	11	12	13	14	15	16	1.3	66	
	3	4	5	6	7	8	Fixed distance = 11		
	B = boring distance								

Straight-arm

Screw-on

Press-in

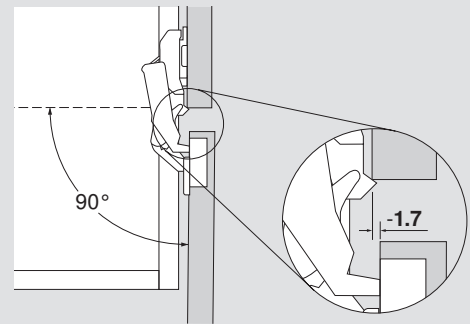
Soft close

71B7550D

71B7580D

Door protrusion

At 90° opening, using 0 mm plate, the door will have -1.7 mm protrusion regardless of boring distance. Use side adjustment to increase or decrease door protrusion.



NOTE: Use of 0 mm or 3 mm is recommended for zero protrusion

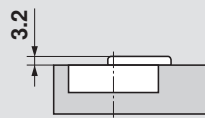
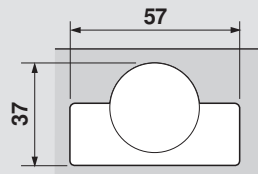
Hinges per door

This chart can serve as a guide for determining the number of hinges per door. Note that door weight can also determine the number of hinges required for each door.

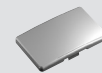
NOTE: The distance between the top and bottom hinges must be greater than the width of the door

Cabinet height	Hinges required per door			
	2	3	4	5
100"				
80"				
60"				
40"		15-30 lb	30-45 lb	45-60 lb
20"	<15 lb			

Hinge cup dimensions



Cover cap



- For use with zero protrusion hinges
- Steel, nickel-plated
- Custom logo available

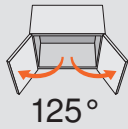
Part no.

Cover cap

70.4503

Abbreviations

H	= Plate height
P	= Door protrusion
S	= Side arm protrusion
T	= Door thickness
W	= Side panel width



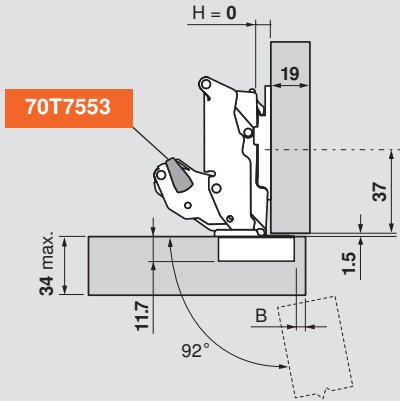
CLIP top BLUMOTION 125° Special Applications

Hinges



CLIP top
BLUMOTION

Maximum door thickness

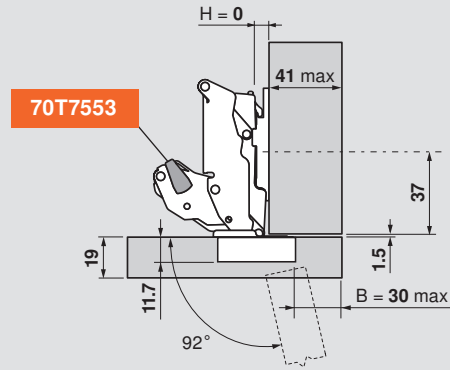


70T7553

NOTE: Thickness of 30 mm or greater, angle restriction clip required

H	Overlay					
0	14	15	16	17	18	19
	3	4	5	6	7	8
B = boring distance						

Maximum door overlay



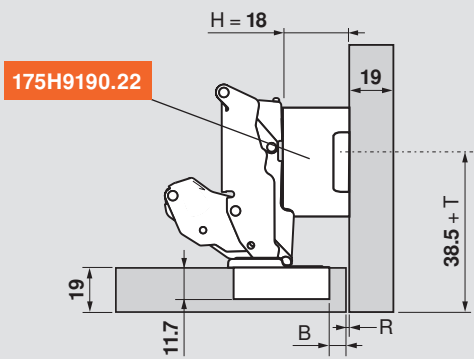
70T7553

NOTE: Must use angle restriction clip to achieve application

H	Overlay			
0	36	38	39	41
	25	27	28	30
B = boring distance				

NOTE: Inset application can also be achieved with a straight-arm hinge with a 18 mm plate. Setback of mounting plate would be 38.5 mm + door thickness.

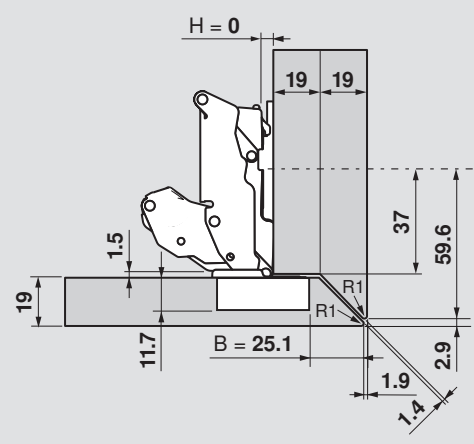
Inset panel application



175H9190.22

H	Reveal					
18	4.5	3.5	2.5	1.5	0.5	-
	3	4	5	6	7	8
B = boring distance						

Mitered door with large overlay



For all special applications, a trial application is always recommended

NOTE: Special applications can be achieved in face frame cabinets by blocking out behind the frame or use of the new CLIP wing plates (pages 62-63)

Angle restriction clip



- For use with zero protrusion hinges
- Gray nylon

Part no.

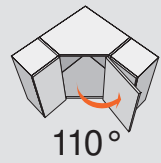
92° restriction clip

70T7553

Hinges

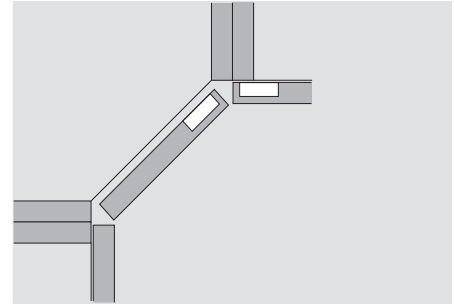


CLIP top BLUMOTION 110° Diagonal 45°



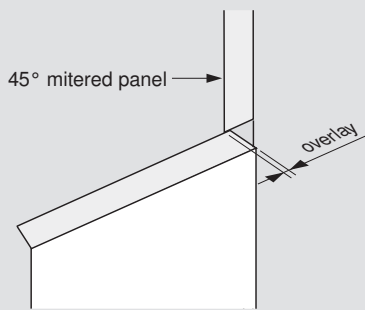
Features

- BLUMOTION integrated into the hinge cup
- Deactivation switch for small/light doors
- For door thicknesses up to 19 (3/4")
- Overload safety feature
- Compatible with existing CLIP mounting plates and hinge arm cover caps

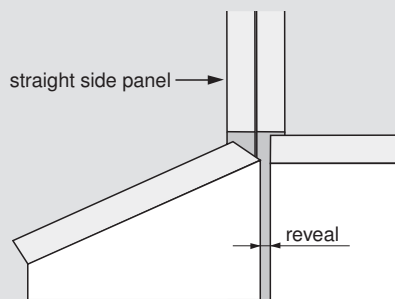


Thickness greater than 19 trial recommended

Overlay application



Inside corner



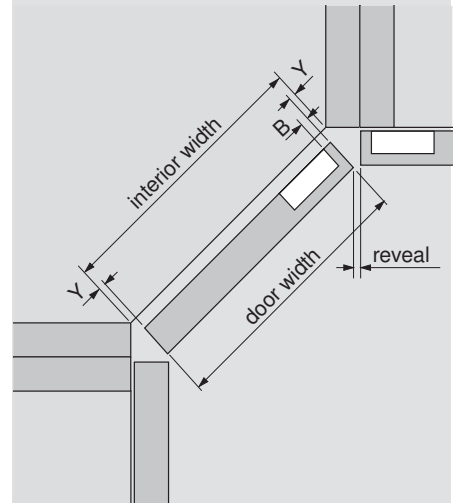
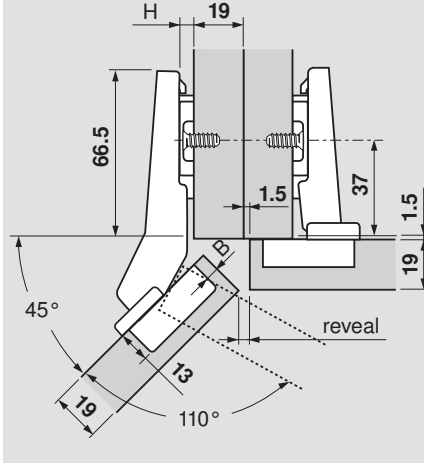
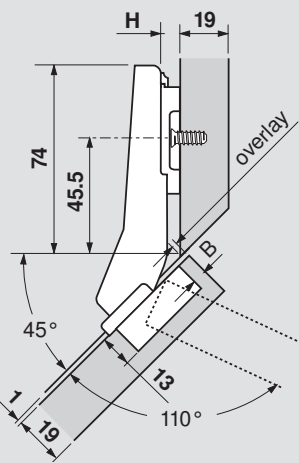
Calculating door width

Step 1. Using the boring distance (B) determined in the reveal table, cross-reference to find the side gap distance (Y) in the table below.

Step 2. Using the following formula to find the door width. Door width = interior width minus (Y x 2).

Example: interior width = 400 mm, side gap (Y) = 4.5 mm.

$$391 = 400 \text{ minus } (4.5 \times 2)$$



H	Overlay			
0	1	2	3	4
	3	4	5	6
B = boring distance				

H	Reveal			
0	6	5	4	3
	3	4	5	6
B = boring distance				

NOTE: Reveal based on 19 (3/4") side panel

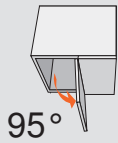
Y = side gap			
5.5	4.5	3.5	2.5
3	4	5	6
B = boring distance			

NOTE: Calculations based on 19 (3/4") door thickness

Diagonal 45° hinge	Soft close
INSERTA	79B3598

Diagonal 45° hinge	Soft close
INSERTA	79B3598

Abbreviations	
H	= Plate height
Y	= Side gap



CLIP top BLUMOTION 95° Inset Blind Corner

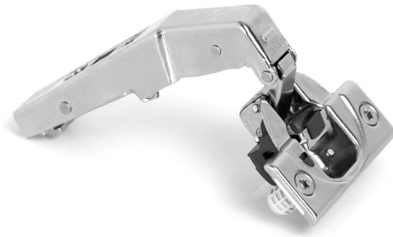
Hinges



CLIP top
BLUMOTION

Features

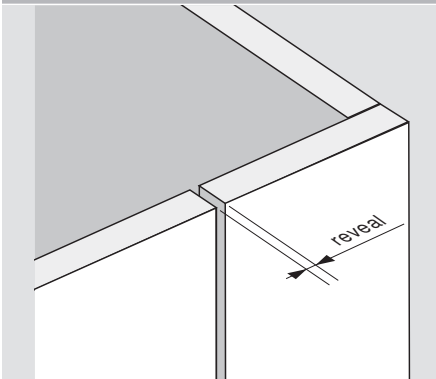
- BLUMOTION integrated into the hinge cup
- Deactivation switch for small/light doors
- For door thicknesses up to **24** (15/16")
- Overload safety feature
- Boring distance range **3 mm** to **7 mm**
- Compatible with existing CLIP mounting plates and hinge arm cover caps



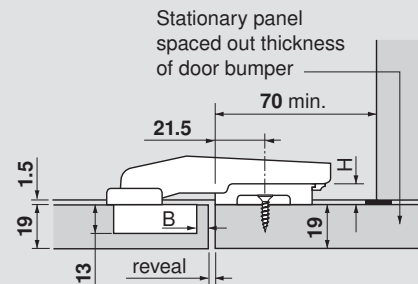
Minimum reveal table						
3	0.1	0.3	0.4	0.5	0.9	1.3
4	0.1	0.3	0.4	0.5	0.9	1.3
5	0.1	0.4	0.4	0.5	0.9	1.3
6	0.1	0.3	0.4	0.5	0.9	1.2
7	0.1	0.3	0.4	0.5	0.9	1.2
B = boring distance	16	18	19	20	22	24
	T = door thickness					

Thickness greater than **24** trial recommended

Flush door applications

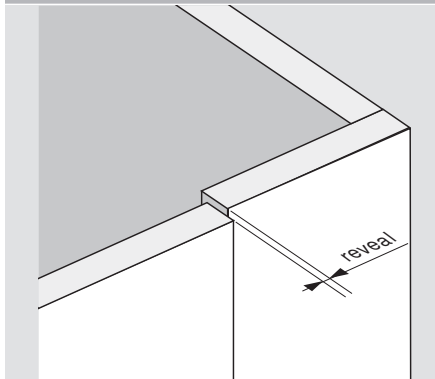


Back of door is flush with stationary panel

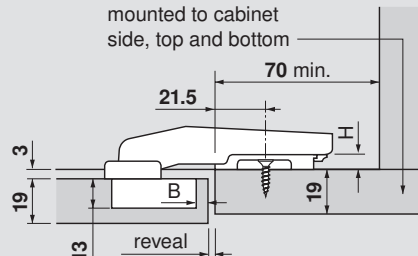


Stationary panel spaced out thickness of door bumper

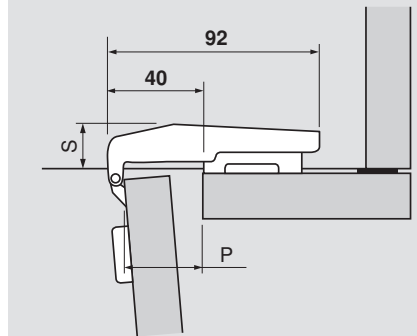
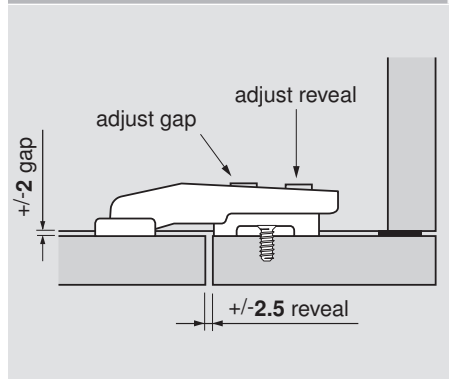
Offset door applications



Stationary panel mounted to cabinet side, top and bottom



Adjustments and clearance



H	Reveal					P	S
3	5	4	3	2	1	33.5	21
	3	4	5	6	7		
	B = boring distance						

H	Reveal					P	S
0	5	4	3	2	1	33.5	18
	3	4	5	6	7		
	B = boring distance						

Abbreviations	
H	= Plate height
P	= Door protrusion
S	= Side arm protrusion

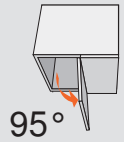
Inset blind corner	Soft close
Screw-on	79B9550
Press-in	79B9580
INSERTA	79B9590

Inset blind corner	Soft close
Screw-on	79B9550
Press-in	79B9580
INSERTA	79B9590

Hinges



CLIP top BLUMOTION 95° Overlay Blind Corner



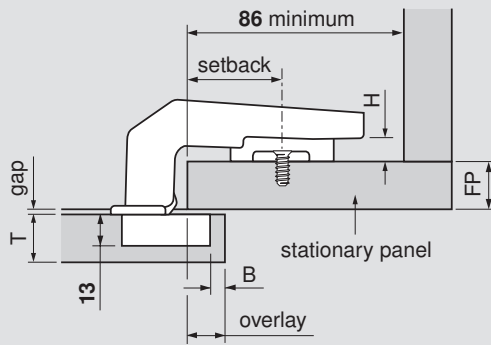
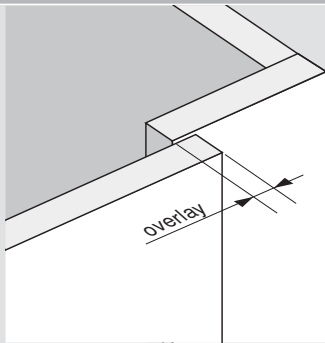
Features

- BLUMOTION integrated into the hinge cup
- Deactivation switch for small/light doors
- For door thicknesses up to 24 (15/16")
- Overload safety feature
- Boring distance range 3 mm to 7 mm
- Compatible with existing CLIP mounting plates and hinge arm cover caps

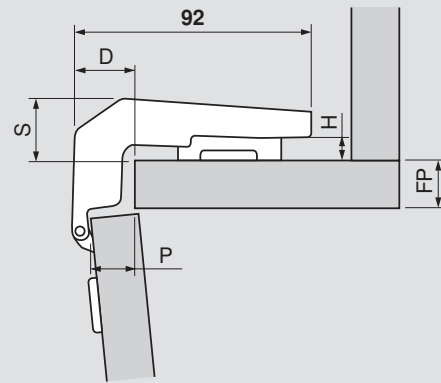
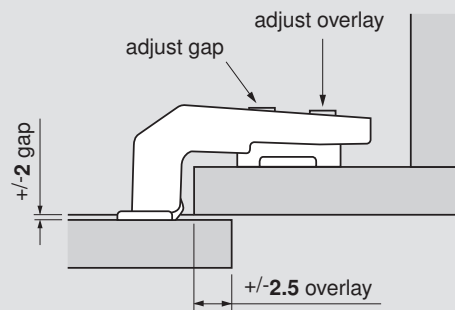
		Minimum reveal table					
3	0.1	0.3	0.4	0.5	0.9	1.3	
4	0.1	0.3	0.4	0.5	0.9	1.3	
5	0.1	0.3	0.4	0.5	0.9	1.3	
6	0.1	0.3	0.4	0.5	0.9	1.2	
7	0.1	0.3	0.4	0.5	0.9	1.2	
B = boring distance	16	18	19	20	22	24	
T = door thickness							

Thickness greater than 24 trial recommended

Overlay application



Adjustments and clearances



NOTE: Door gap can be adjusted ± 2 mm

Setback	Overlay					P	D
27	2	3	4	5	6	27	32
32	7	8	9	10	11	22	27
37	12	13	14	15	16	17	22
	3	4	5	6	7	Fixed distance = 9	
	B = boring distance						

NOTE: Door overlay varies depending on the setback position of the mounting plate. Use the table to select the desired overlay and cross-reference to the plate setback and boring distance.

H	Gap			S
0	7	4	1	21
3	4	1	-	24
6	1	-	-	27
	16	19	22	
	FP = front panel thickness			

NOTE: Door gap varies depending on the thickness of the stationary panel and the height of the mounting plate. Use the table to cross-reference the plate height based on the front panel thickness and door gap.

Abbreviations	
D	= Depth
FP	= Front panel thickness
H	= Plate height
P	= Door protrusion
S	= Side arm protrusion

Overlay blind corner	Soft close
Press-in	79B9980



CLIP top BLUMOTION 95° Narrow Aluminum Door

Hinges



CLIP top
BLUMOTION

Features

- BLUMOTION integrated into the hinge cup
- Deactivation switch for small/light doors
- For door thicknesses up to 22 (7/8")
- Overload safety feature
- Compatible with existing CLIP mounting plates and hinge arm cover caps

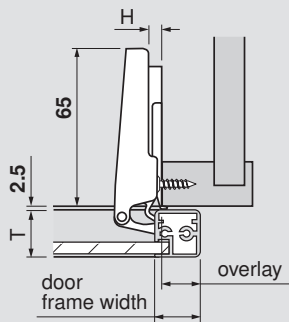


Minimum reveal table					
18	0.2	0.3	0.4	0.6	0.7
19	0.2	0.3	0.4	0.6	0.7
20	0.2	0.3	0.4	0.5	0.7
21	0.2	0.3	0.4	0.5	0.7
22	0.2	0.3	0.4	0.5	0.7
Door frame width	18	19	20	21	22
	T = door thickness				

Thickness greater than 22 trial recommended

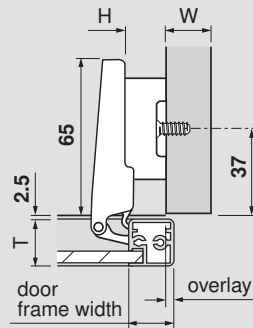
Overlay

Frame

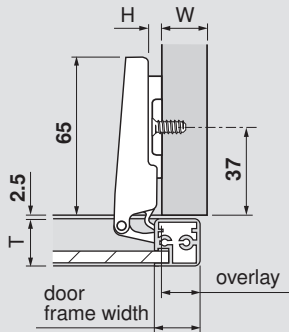


Partial/twin overlay

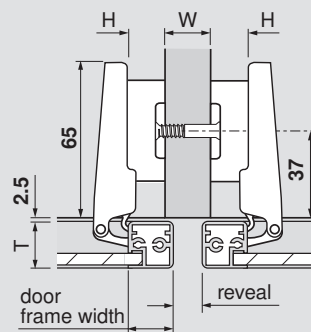
Frameless



Frameless

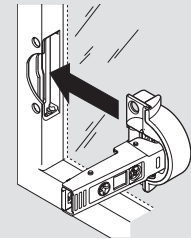


Frameless

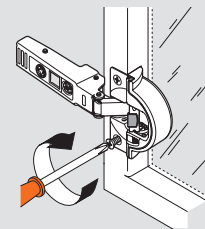


Installation

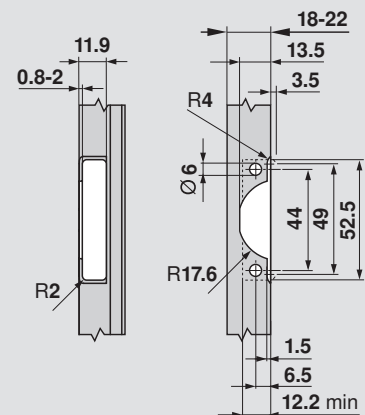
Attach cup adapter to the hinge and insert into machined openings



Attach using aluminum screws provided with hinges (699.110)



Aluminum door preparation



H	Overlay	P	S
0	16	13.5	22
3	13	16.5	25
4.5	11.5	18	26.5
6	10	19.5	28
9	7	22.5	31

B = fixed

NOTE: 4.5 plate is only for use in frame cabinets, 9 plate is only for frameless cabinets

H	Overlay	P	S
9	7	23	31
	B = fixed		

H	Reveal	W	P	S
9	2	16	23	31
	5	19		
	B = fixed			

Straight-arm	Soft close
Screw-on	71B950A

Straight-arm	Soft close
Screw-on	71B950A

Abbreviations

H	= Plate height
P	= Door protrusion
S	= Side arm protrusion
W	= Side panel width

Hinges






CLIP top BLUMOTION Onyx Black

CLIP top BLUMOTION 110° hinges




NOTE: Please refer to page 12 for specifications

Straight-arm		Half-cranked		Full-cranked	
	Soft close		Soft close		Soft close
Screw-on	71B3550	Screw-on	71B3650	Screw-on	71B3750
Press-in 	71B3580	Press-in 		Press-in 	
INSERTA	71B3590	INSERTA	71B3690	INSERTA	71B3790

CLIP top BLUMOTION 110°+ hinges






NOTE: Please refer to page 13 for specifications

Straight-arm					
	Soft close				
Screw-on	73B3550				
Press-in 					
INSERTA	73B3590				

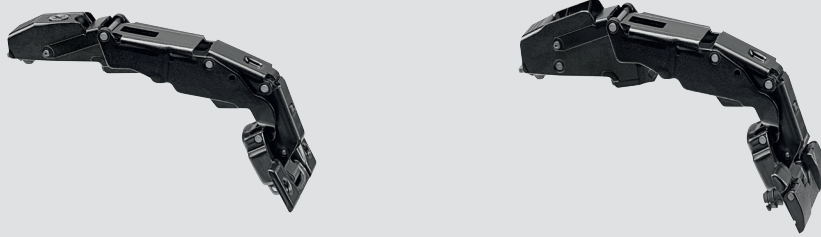
CLIP top BLUMOTION 95° thick door hinges



NOTE: Please refer to page 14 for specifications

Straight-arm		Half-cranked		Full-cranked	
	Soft close		Soft close		Soft close
Screw-on	71B9550	Screw-on	71B9650	Screw-on	71B9750
Press-in 	71B9580	Press-in 		Press-in 	
INSERTA	71B9590	INSERTA	71B9690	INSERTA	71B9790

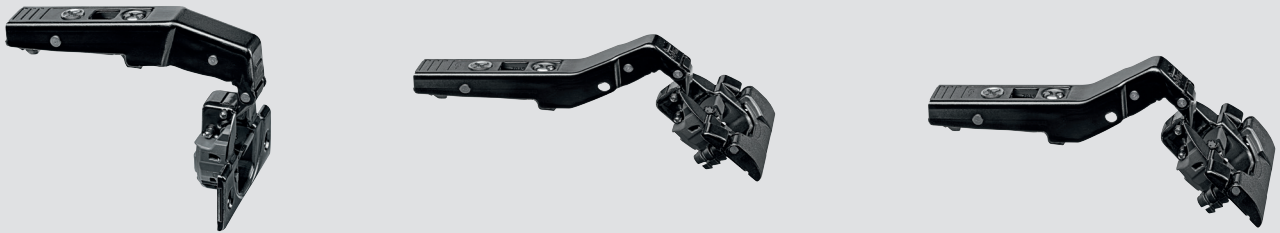
CLIP top BLUMOTION 155° zero protrusion hinges



NOTE: Please refer to page 15 for specifications

Straight-arm	Soft close	Half-cranked	Soft close
Screw-on	71B7550	Screw-on	
Press-in	71B7580	Press-in	
INSERTA	71B7590	INSERTA	71B7690

CLIP top BLUMOTION specialty hinges

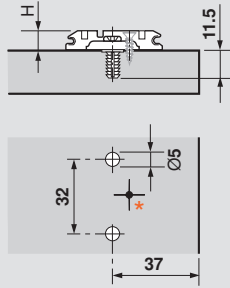


NOTE: Please refer to page 16 for specifications

95° Inset blind corner	Soft close	95°, +45° Angled	Soft close	110°, +45° li Angled	Soft close
Screw-on	79B9550	Screw-on		Screw-on	
Press-in	79B9580	Press-in		Press-in	
INSERTA	79B9590	INSERTA	79B9698	INSERTA	79B3598

CLIP wing plate

EXPANDO



- Steel, nickel-plated
- Attached with pre-mounted screws with EXPANDO dowels (618.1500)
- Cam height adjustment ± 2 mm

Part no.

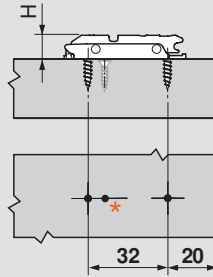
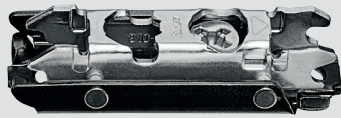
0 plate height (H)

174H7100E

NOTE: Please refer to page 59 for specifications

CLIP in-line plate

Screw-on



- Steel, nickel-plated
- Attached with #6 x 5/8" wood screws
- Cam height adjustment ± 2 mm
- Use of mounting plate template recommended

Part no.

0 plate height (H)

175H3100

NOTE: Please refer to page 59 for specifications

CLIP accessories



70.1503



70.1553



70.1663



70.4503



70T3504

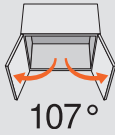


70T7504

Self close

Blank arm cover cap for straight-arm hinges	70.1503
Blank arm cover cap for angled, MINI & glass door hinges with straight or cranked-arms	70.1553
Blank arm cover cap for cranked-arm hinges	70.1663
Blank arm cover cap for 155° and 125° hinges	70.4503
Blank cup cover cap for CLIP top BLUMOTION/CLIP top 110° hinges	70T3504
Blank cup cover cap for 155° and 125° hinges	70T7504

NOTE: Please refer to page 56 for specifications



CLIP top 107°

Hinges



Features

- Three-dimensional adjustment
- Available with INSERTA attachment
- For door thicknesses up to **19** (3/4")
- 86° angle restriction clip available (74.1103)
- All metal hinge, nickel-plated
- Add-on BLUMOTION soft close available



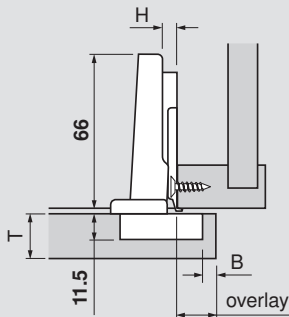
Minimum reveal table			
3	0.6	1.0	1.3
4	0.6	1.0	1.3
5	0.6	1.0	1.2
6	0.6	1.0	1.2
	16	18	19
B = boring distance	T = door thickness		

Thickness greater than **19** trial recommended

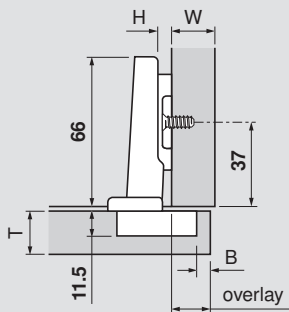
CLIP top

Overlay

Frame



Frameless



H	Overlay				P	S
0	14	15	16	17	10	21
3	11	12	13	14	13	24
4.5	9.5	10.5	11.5	12.5	14.5	25.5
6	8	9	10	11	16	27
9	5	6	7	8	19	30
	3	4	5	6	Fixed distance = 11	
	B = boring distance					

NOTE: 4.5 plate is only for use in face frame cabinets, 9 plate is only for frameless cabinets

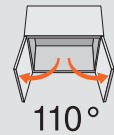
Straight-arm	Self close
Screw-on	75T1550
Press-in	75T1580
INSERTA	75T1590B

Abbreviations	
H	= Plate height
P	= Door protrusion
S	= Side arm protrusion
W	= Side panel width

Hinges



CLIP top 110°



Features

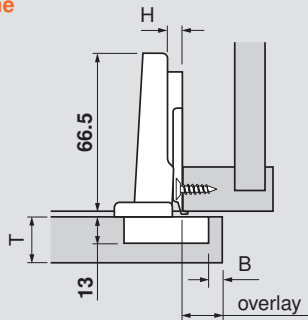
- Three-dimensional adjustment
- Available with INSERTA attachment
- INSERTA lever expands in Ø8 mm holes
- For door thicknesses up to 26 (1")
- 86° angle restriction clip available (70T3553)
- All metal hinge, nickel plated
- Add-on BLUMOTION soft close available

Minimum reveal table						
3	0.5	1.0	1.8	2.7	4.3	
4	0.5	1.0	1.7	2.5	3.8	
5	0.5	0.9	1.7	2.4	3.4	
6	0.5	0.9	1.6	2.3	3.2	
7	0.5	0.9	1.6	2.2	3.0	
B = boring distance	16	19	22	24	26	
	T = door thickness					

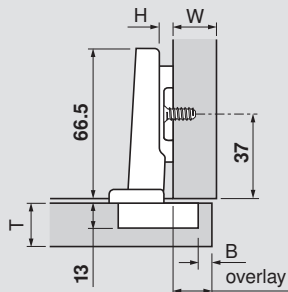
Thickness greater than 26 trial recommended

Overlay

Frame

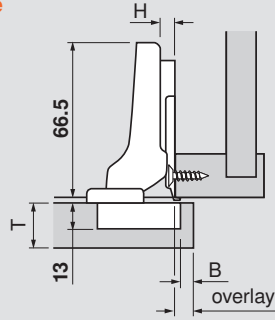


Frameless

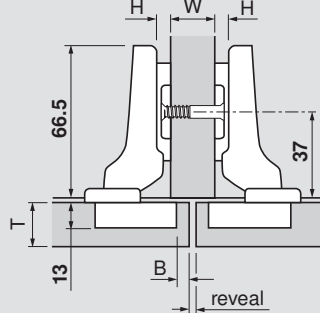


Partial/twin overlay

Frame

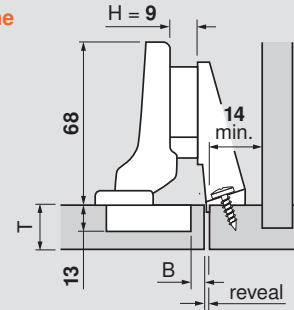


Frameless



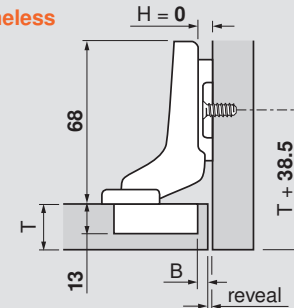
Inset

Frame



NOTE: Application requires a half-cranked hinge and mounting plate 175H5030.21

Frameless



H	Overlay						P	S
0	14	15	16	17	18	12	21.5	
3	11	12	13	14	15	15	24.5	
4.5	9.5	10.5	11.5	12.5	13.5	16.5	26	
6	8	9	10	11	12	18	27.5	
9	5	6	7	8	9	21	30.5	
	3	4	5	6	7	Fixed distance = 11		
	B = boring distance							

NOTE: 4.5 plate is only for use in frame cabinets, 9 plate is only for frameless cabinets

H	Overlay					P	S	
0	4.5	5.5	6.5	7.5	8.5	21.5	31	
	3	4	5	6	7	Fixed distance = 1.5		
	B = boring distance							
H	Reveal					W	P	S
0	7	5	3	1	-	16		
	10	8	6	4	2	19	21.5	31
	13	11	9	7	5	22		
	3	4	5	6	7	B = boring distance		
	B = boring distance							

H	Reveal					P	S
0	4	3	2	1	-	30	39.5
9	4.5	3.5	2.5	1.5	0.5	30.5	40
	3	4	5	6	7	Fixed distance: 0 = -7 9 = 1.5	
	B = boring distance						

Abbreviations

H	=	Plate height
P	=	Door protrusion
S	=	Side arm protrusion
W	=	Side panel width

Straight-arm	Self close	Free swing
Screw-on	71T3550	70T3550.TL
Press-in	71T3580	70T3580.TL
INSERTA	71T3590	70T3590.TL
EXPANDO	71T358E	

Half-cranked	Self close	Free swing
Screw-on	71T3650	70T3650.TL
Press-in	71T3680	
INSERTA	71T3690	70T3690.TL

Full-cranked	Self close	Free swing
Screw-on	71T3750	70T3750.TL
Press-in	71T3780	
INSERTA	71T3790	



CLIP top 110°+

Hinges



Features

- For larger overlays (22 mm maximum)
- Three-dimensional adjustment
- Available with INSERTA attachment
- INSERTA lever expands in Ø8 mm holes
- For door thicknesses up to 26 (1")
- 86° angle restriction clip available (70T3553)
- All metal hinge, nickel plated
- Add-on BLUMOTION soft close available

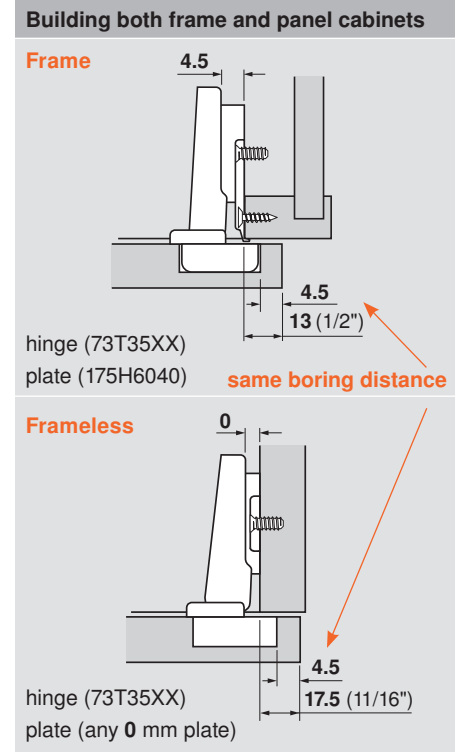
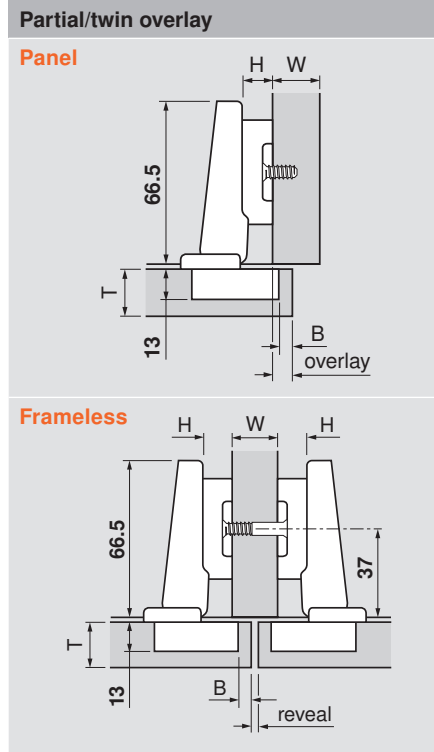
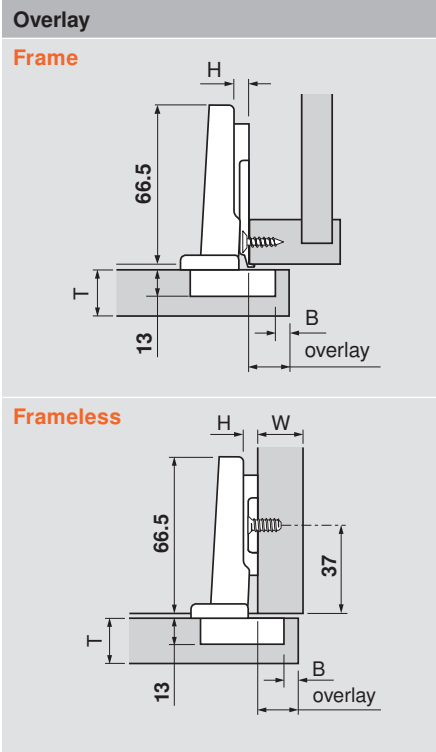


Minimum reveal table					
3	0.5	1.0	1.8	2.7	4.3
4	0.5	1.0	1.7	2.5	3.8
4.5	0.5	1.0	1.7	2.5	3.6
5	0.5	0.9	1.7	2.4	3.4
6	0.5	0.9	1.6	2.3	3.2
7	0.5	0.9	1.6	2.2	3.0
B = boring distance	16	19	22	24	26

T = door thickness

Thickness greater than 26 trial recommended

CLIP top



H	Overlay						P	S
0	16	17	17.5	18	19	20	10	20
3	13	14	14.5	15	16	17	13	23
4.5	11.5	12.5	13	13.5	14.5	15.5	14.5	24.5
6	10	11	11.5	12	13	14	16	26
9	7	8	8.5	9	10	11	19	29
	3	4	4.5	5	6	7	Fixed distance = 13	
	B = boring distance							

NOTE: 4.5 plate is only for use in frame cabinets, 9 plate is only for frameless cabinets

H	Overlay						P	S	
9	7	8	8.5	9	10	11	19	29	
	3	4	4.5	5	6	7	Fixed distance = 13		
	B = boring distance								
H	Reveal						W	P	S
	2	-	-	-	-	-	16		
9	5	3	2	-	-	-	19	19	29
	8	6	5	4	-	-	22		
	3	4	4.5	5	6	7			
	B = boring distance								

The most common overlays for frame and frameless cabinets can be achieved by using the same machine setting for hinge cup boring.

Bore all doors at 4.5 mm to achieve:

- 13 (1/2") overlay on frame cabinets
- 17.5 (11/16") overlay on frameless cabinets

Advantages:

- One machine setting for boring all doors
- Same hinge used for both applications

Straight-arm	Self close	Free swing
Screw-on	73T3550	72T3550.TL
Press-in	73T3580	72T3580.TL
INSERTA	73T3590	72T3590.TL
EXPANDO	73T358E	

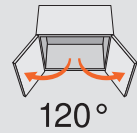
Straight-arm	Self close	Free swing
Screw-on	73T3550	72T3550.TL
Press-in	73T3580	72T3580.TL
INSERTA	73T3590	72T3590.TL
EXPANDO	73T358E	

Abbreviations	
H	= Plate height
P	= Door protrusion
S	= Side arm protrusion
W	= Side panel width

Hinges



CLIP top 120°



Features

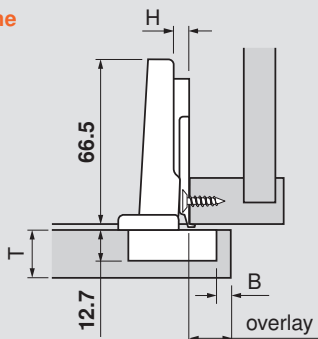
- Three-dimensional adjustment
- Available with INSERTA attachment
- For door thicknesses up to 22 (7/8")
- All metal hinge, nickel-plated
- Add-on BLUMOTION soft close available

Minimum reveal table					
3	1.2	1.7	2.0	2.4	3.3
4	1.2	1.7	2.0	2.3	3.1
5	1.1	1.6	1.9	2.2	3.0
6	1.1	1.6	1.9	2.2	2.9
B = boring distance	16	18	19	20	22
	T = door thickness				

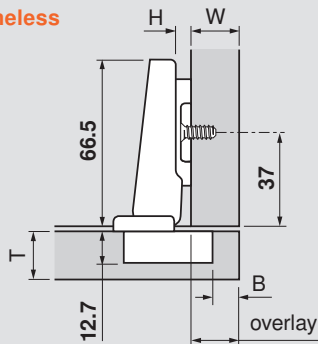
Thickness greater than 22 trial recommended

Overlay

Frame

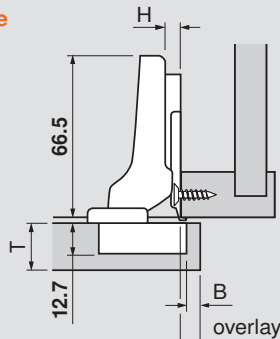


Frameless

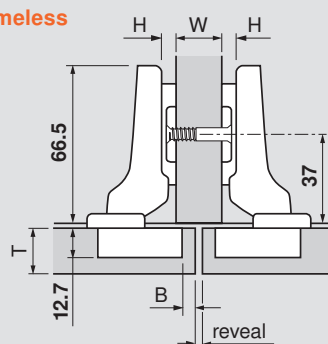


Partial/twin overlay

Frame

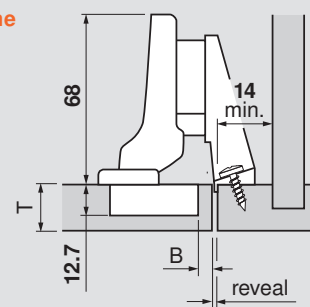


Frameless



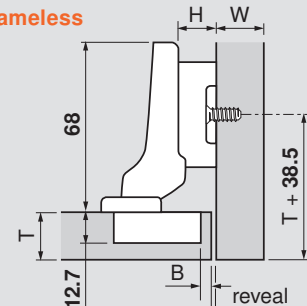
Inset

Frame



NOTE: Application requires a half-cranked hinge and mounting plate 175H5030.21

Frameless



H	Overlay					P	S
0	14	15	16	17	11.5	20.5	
3	11	12	13	14	14.5	23.5	
4.5	9.5	10.5	11.5	12.5	16	25	
6	8	9	10	11	17.5	26.5	
9	5	6	7	8	20.5	29.5	
	3	4	5	6	Fixed distance = 11		
	B = boring distance						

NOTE: 4.5 plate is only for use in face frame cabinets, 9 plate is only for frameless cabinets

H	Overlay				P	S	
0	4.5	5.5	6.5	7.5	21.5	30	
	3	4	5	6	Fixed distance = 1.5		
	B = boring distance						
H	Reveal				W	P	S
0	7	5	3	1	16		
	10	8	6	4	19	21.5	30
	13	11	9	7	22		
	3	4	5	6	B = boring distance		
	B = boring distance						

H	Reveal				P	S
9	4.5	3.5	2.5	1.5	30.5	39
	3	4	5	6	Fixed distance = -7.5	
	B = boring distance					

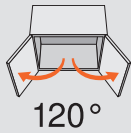
Abbreviations

H	=	Plate height
P	=	Door protrusion
S	=	Side arm protrusion
W	=	Side panel width

Straight-arm	Self close
Screw-on	71T5550
Press-in	71T5580
INSERTA	71T5590B
EXPANDO	71T558E

Half-cranked	Self close
Screw-on	71T5650
Press-in	71T5680
INSERTA	71T5690B

Half-cranked	Self close
Screw-on	71T5650
Press-in	71T5680
INSERTA	71T5690B



CLIP top 120°+

Hinges



Features

- For larger overlays (21 mm maximum)
- Three-dimensional adjustment
- Available with INSERTA attachment
- For door thicknesses up to 22 (7/8")
- All metal hinge, nickel-plated
- Add-on BLUMOTION soft close available



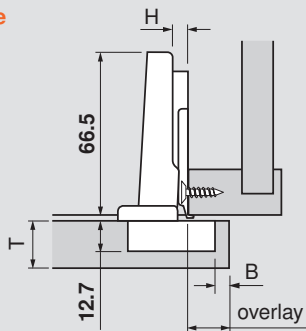
Minimum reveal table					
3	1.2	1.7	2.0	2.4	3.3
4	1.2	1.7	2.0	2.3	3.1
4.5	1.1	1.6	1.9	2.2	3.0
5	1.1	1.6	1.9	2.2	3.0
6	1.1	1.6	1.9	2.2	2.9
B = boring distance	16	18	19	20	22
	T = door thickness				

Thickness greater than 22 trial recommended

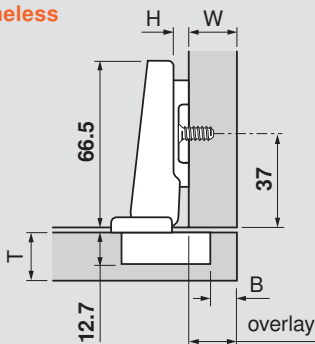
CLIP top

Overlay

Frame

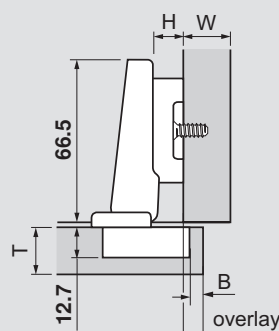


Frameless

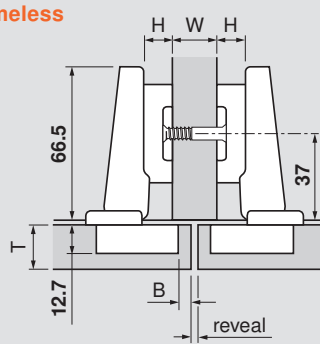


Partial/twin overlay

Panel

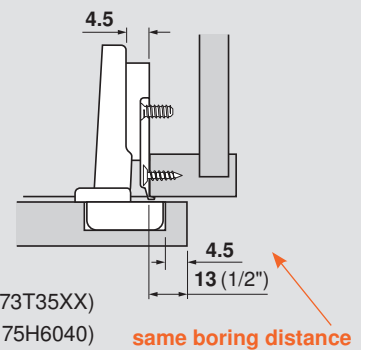


Frameless

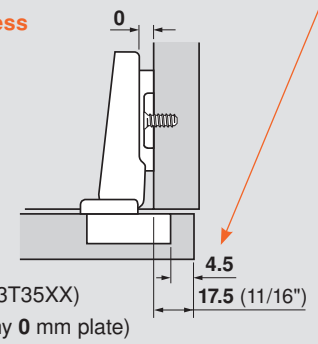


Building both frame and panel cabinets

Frame



Frameless



H	Overlay						P	S
0	16	17	17.5	18	19	12	21.5	
3	13	14	14.5	15	16	15	24.5	
4.5	11.5	12.5	13	13.5	14.5	16.5	26	
6	10	11	11.5	12	13	18	27.5	
9	7	8	8.5	9	10	21	30.5	
	3	4	4.5	5	6	Fixed distance = 13		
	B = boring distance							

NOTE: 4.5 plate is only for use in face frame cabinets, 9 plate is only for frameless cabinets

H	Overlay						P	S
9	7	8	8.5	9	10	18.5	28	
	3	4	4.5	5	6	Fixed distance = 13		
	B = boring distance							

H	Reveal					W	P	S
	2	-	-	-	-	16		
9	5	3	2	-	-	19	18.5	28
	8	6	5	4	-	22		
	3	4	4.5	5	6	B = boring distance		
	B = boring distance							

The most common overlays for frame and frameless cabinets can be achieved by using the same machine setting for hinge cup boring.

Bore all doors at 4.5 mm to achieve:

- 13 (1/2") overlay on frame cabinets
- 17.5 (11/16") overlay on frameless cabinets

Advantages:

- One machine setting for boring all doors
- Same hinge used for both applications

Straight-arm	Self close
Screw-on	73T5550
Press-in	73T5580
INSERTA	73T5590B
EXPANDO	73T558E

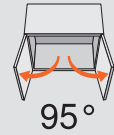
Straight-arm	Self close
Screw-on	73T5550
Press-in	73T5580
INSERTA	73T5590B
EXPANDO	73T558E

Abbreviations	
H	= Plate height
P	= Door protrusion
S	= Side arm protrusion
W	= Side panel width

Hinges



CLIP top 95° Thick Door



Features

- Three-dimensional adjustment
- Available with INSERTA attachment
- For door thicknesses up to **30** (1-3/16")
- All metal hinge, nickel-plated
- Add-on BLUMOTION soft close available

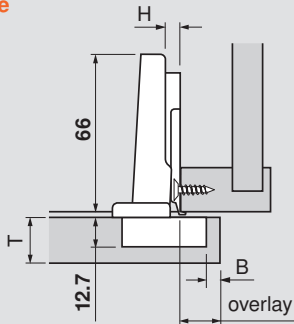


Minimum reveal table							
3	0.4	0.8	1.0	1.5	1.9	2.8	3.6
4	0.4	0.7	1.0	1.4	1.8	2.5	3.1
5	0.4	0.7	1.0	1.4	1.8	2.3	2.7
6	0.4	0.7	1.0	1.4	1.8	2.2	2.5
7	0.4	0.7	0.9	1.4	1.7	2.1	2.4
B = boring distance	19	22	24	26	28	29	30
	T = door thickness						

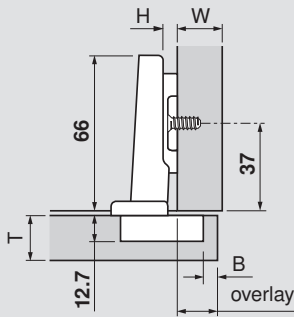
Thickness greater than **30** trial recommended

Overlay

Frame

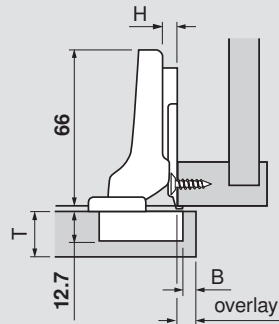


Frameless

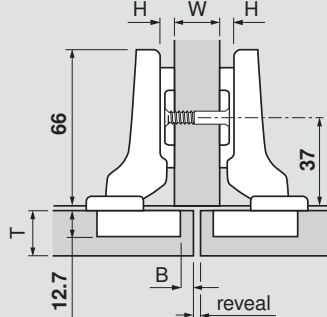


Partial/twin overlay

Frame

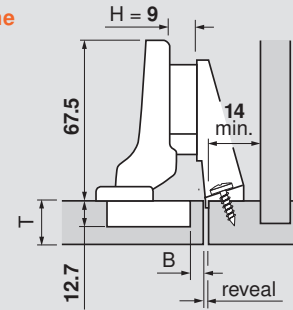


Frameless



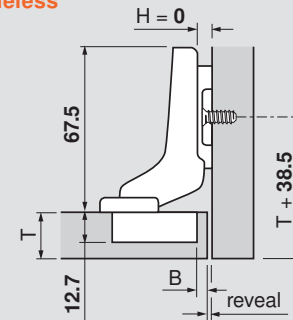
Inset

Frame



NOTE: Application requires a half-cranked hinge and mounting plate 175H5030.21

Frameless



H	Overlay						P	S
0	14	15	16	17	18	14.5	22	
3	11	12	13	14	15	17.5	25	
4.5	9.5	10.5	11.5	12.5	13.5	19	26.5	
6	8	9	10	11	12	20.5	28	
9	5	6	7	8	9	23.5	31	
	3	4	5	6	7	Fixed distance = 11		
	B = boring distance							

NOTE: 4.5 plate is only for use in frame cabinets, 9 plate is only for frameless cabinets

H	Overlay					P	S	
0	4.5	5.5	6.5	7.5	8.5	24	31	
	3	4	5	6	7	Fixed distance = 1.5		
	B = boring distance							
H	Reveal					W	P	S
0	7	5	3	1	-	16		
	10	8	6	4	2	19	24	31
	13	11	9	7	5	22		
	3	4	5	6	7	B = boring distance		

H	Reveal					P	S
0	4	3	2	1	-	32.5	40
9	4.5	3.5	2.5	1.5	0.5	33	40.5
	3	4	5	6	7	Fixed distance: 0 = 7, 9 = 1.5	
	B = boring distance						

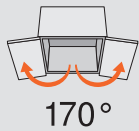
Abbreviations

H	=	Plate height
P	=	Door protrusion
S	=	Side arm protrusion
W	=	Side panel width

Straight-arm	Self close	Free swing
Screw-on	71T9550	70T9550.TL
Press-in	71T9580	70T9580.TL
INSERTA	71T9590B	

Half-cranked	Self close	Free swing
Screw-on	71T9650	70T9650.TL
Press-in	71T9680	
INSERTA	71T9690B	

Full-cranked	Self close	Free swing
Screw-on	71T9750	70T9750.TL
Press-in	71T9780	
INSERTA	71T9790B	



CLIP top 170°

Hinges



Features

- Three-dimensional adjustment
- Available with INSERTA attachment
- For door thicknesses up to **24** (15/16")
- 130° angle restriction clip available (70.6103)
- All metal hinge, nickel-plated
- Add-on BLUMOTION soft close available



Minimum reveal table						
3	0	0	0	0	0.2	2.2
4	0	0	0	0	0	1.4
5	0	0	0	0	0	0.9
6	0	0	0	0	0	0
7	0	0	0	0	0	0
8	0	0	0	0	0	0
B = boring distance	16	18	19	20	22	24

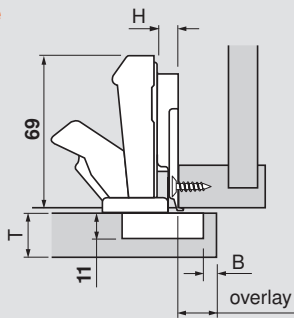
T = door thickness

Thickness greater than **24** trial recommended

CLIP top

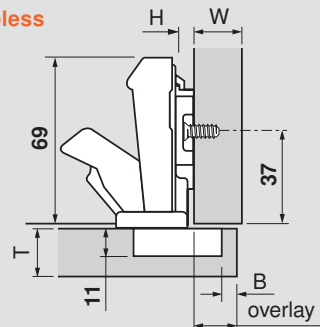
Overlay

Frame



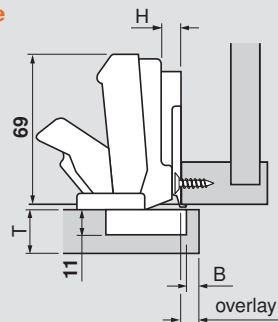
NOTE: 175H6xxx or 175L6600.24 recommended

Frameless

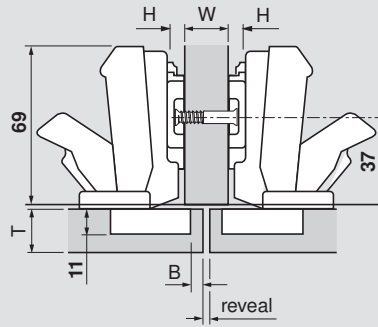


Partial/twin overlay

Frame



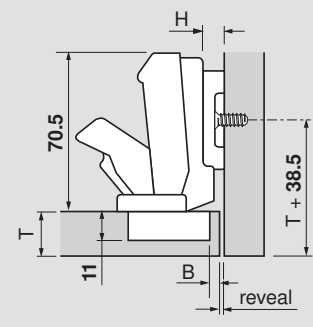
Frameless



Inset

Inset application not recommended with 170° hinges and the inset face frame adapter (175H5030.21)

Frameless



H	Overlay						P	S
0	14	15	16	17	18	19	1.5	65
3	11	12	13	14	15	16	4.5	68
4.5	9.5	10.5	11.5	12.5	13.5	14.5	6	69.5
6	8	9	10	11	12	13	7.5	71
9	5	6	7	8	9	10	10.5	74
	3	4	5	6	7	8	Fixed distance = 11	
	B = boring distance							

NOTE: 4.5 plate is only for use in face frame cabinets, 9 plate is only for frameless cabinets

H	Overlay						P	S
0	4.5	5.5	6.5	7.5	8.5	9.5	11	75
	3	4	5	6	7	8	Fixed distance = 1.5	
	B = boring distance							

H	Reveal					W	P	S
	7	5	3	1	-	-	16	
0	10	8	6	4	2	0	19	75
	13	11	9	7	5	3	22	
	3	4	5	6	7	8	B = boring distance	

H	Reveal						P	S
9	4.5	3.5	2.5	1.5	0.5	-	20	84
	3	4	5	6	7	8	Fixed distance = -7.5	
	B = boring distance							

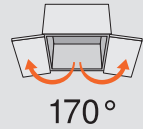
Abbreviations

H	=	Plate height
P	=	Door protrusion
S	=	Side arm protrusion
W	=	Side panel width

Straight-arm	Self close	Free swing
Screw-on	71T6550	70T6550.TL
Press-in	71T6580	
INSERTA	71T6540B	70T6540BTL

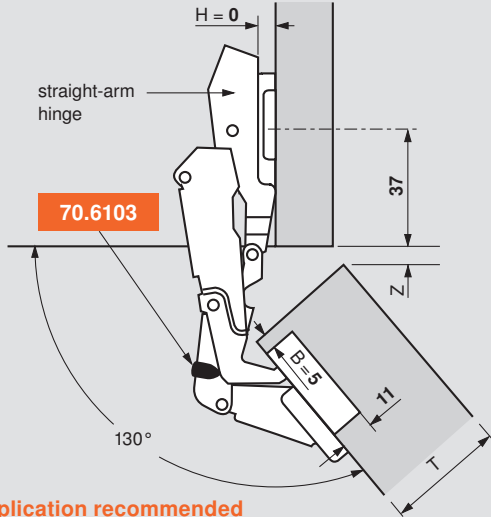
Half-cranked	Self close	Free swing
Screw-on	71T6650	70T6650.TL
Press-in	71T6680	
INSERTA	71T6640B	

Half-cranked	Self close	Free swing
Screw-on	71T6650	70T6650.TL
Press-in	71T6680	
INSERTA	71T6640B	



Straight-Arm Applications

Thick door application

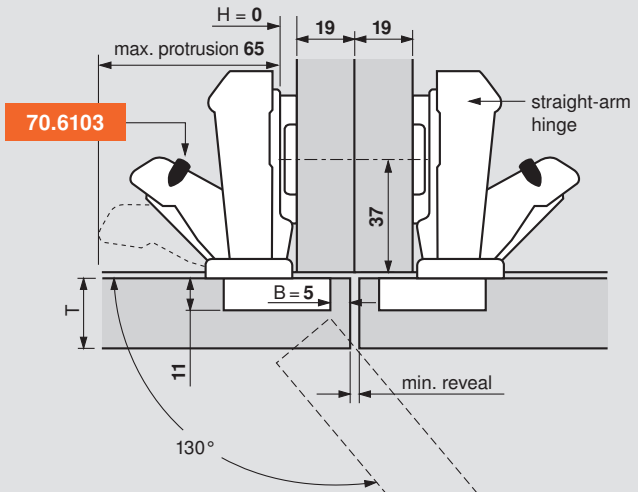


Trial application recommended

NOTE: Inset application can also be achieved with either a straight-arm hinge with a 18 mm plate or half-cranked hinge with 9 mm plate. Setback of mounting plate would be 38.5 mm + door thickness.

Z = gap				
15.5	13	11	9.5	7.5
25	29	32	35	38
T = door thickness				

Thick door – twin application

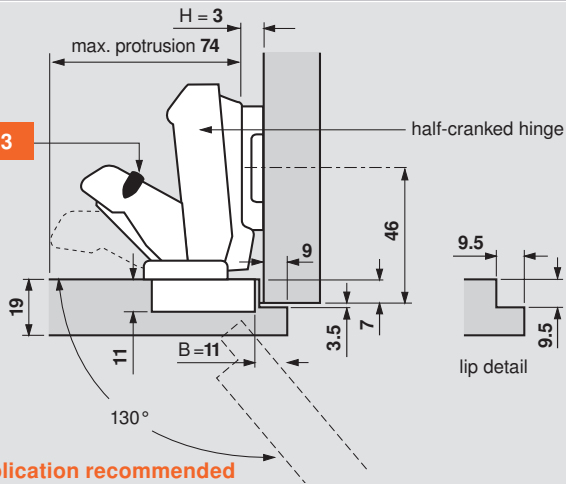


Trial application recommended

Minimum reveal table			
0	6.5	14.5	21
22	25	29	32
T = door thickness			

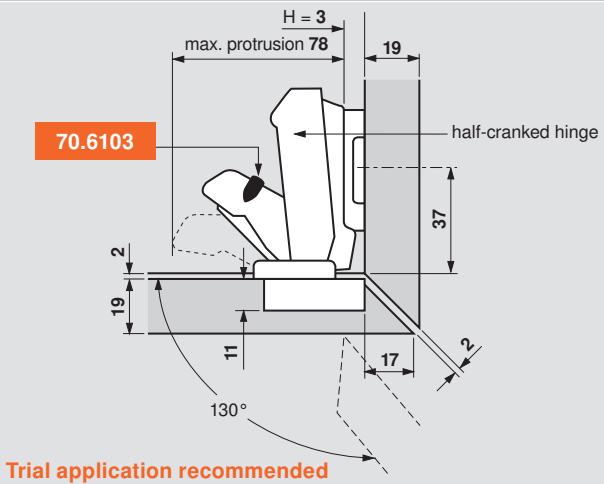
Half-Cranked Applications

Lip door application



Trial application recommended

Mitered corner door application



Trial application recommended

NOTE: Special applications can be achieved in face frame cabinets by blocking out behind the frame or use of the new CLIP wing plates (pages 62-63)

Angle restriction clip

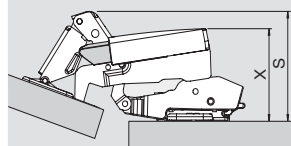


- Reduces opening angle of the CLIP top 170° to 130°
- Installs quickly, easily and tool-free
- Black nylon

Part no.

Angle restriction clip **70.6103**

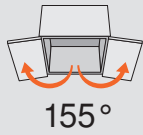
BLUMOTION for 170° hinge



Hinge	X	S
CLIP top 170° straight-arm	49	65
CLIP top 170° half-cranked	68	75
Part no.		

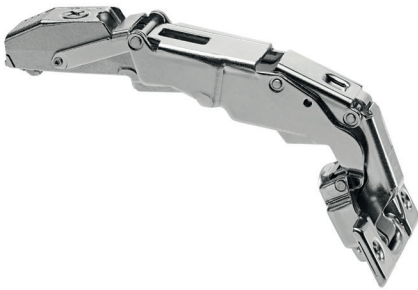
BLUMOTION for 170° hinge

973A6000



CLIP top 155° Zero Protrusion

Hinges



Features

- For use in cabinets with interior roll-outs
- Three-dimensional adjustment
- Available with INSERTA attachment
- For door thicknesses up to **24** (15/16")
- Angle restriction clips available
- All metal hinge, nickel-plated

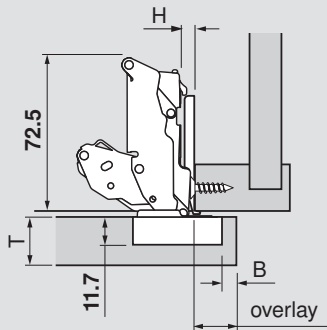
Minimum reveal table						
3	0	0	0	0	0	0
4	0	0	0	0	0	0
5	0	0	0	0	0	0
6	0	0	0	0	0	0
7	0	0	0	0	0	0
8	0	0	0	0	0	0
B = boring distance	16	18	19	20	22	24

T = door thickness

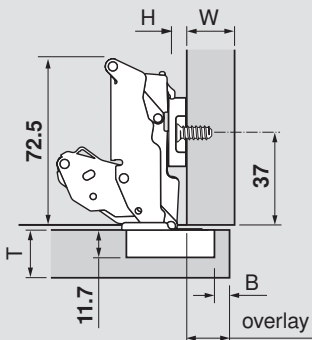
Thickness greater than **24** please see page 16

Overlay

Frame

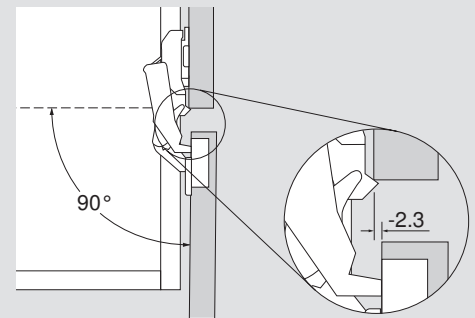


Frameless



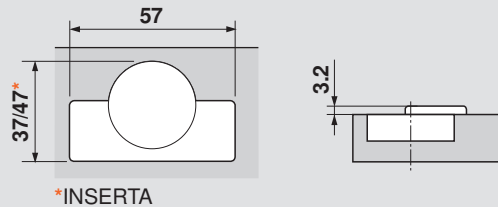
Door protrusion

At a 90° opening, using **0** mm plate, the door will have **-2.3** mm protrusion regardless of boring distance. Use side adjustment to increase or decrease door protrusion.



NOTE: Use of **0** mm or **3** mm is recommended for zero protrusion

Hinge cup dimensions



Angle restriction clips

110° restriction clip

92° restriction clip



Gray nylon

Gray nylon

Part no.
70T7553

Part no.
70T7553.09

NOTE: For use with 155°/125° zero protrusion hinges. See page 57 for instructions and details.

Abbreviations

H	=	Plate height
P	=	Door protrusion
S	=	Side arm protrusion
T	=	Door thickness
W	=	Side panel width

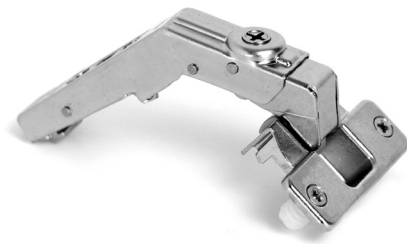
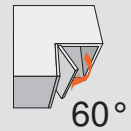
H	Overlay							P	S
0	14	15	16	17	18	19	-2.3	61	
3	11	12	13	14	15	16	0.7	64	
	3	4	5	6	7	8	Fixed distance = 11		
	B = boring distance								

Straight-arm	Self close
Screw-on	71T7550
INSERTA	71T7590

Hinges

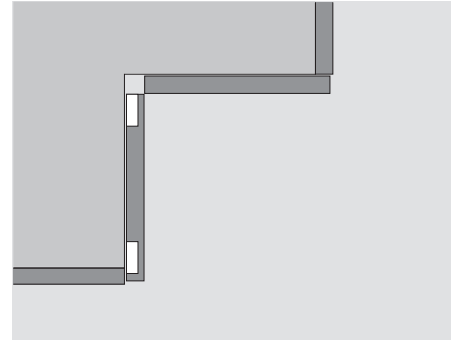


CLIP top 60° Bi-Fold

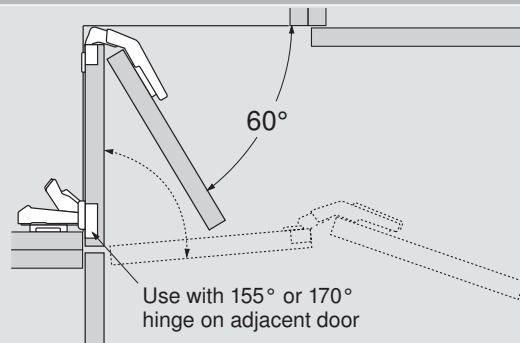


Features

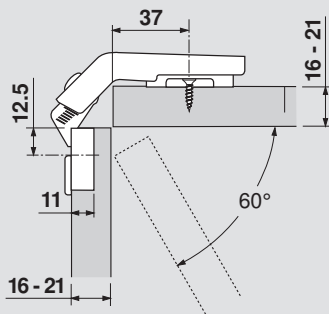
- Spiral tech side adjustment for door gap
- Spiral tech depth adjustment for in/out
- Four-dimensional adjustment
- All metal hinge, nickel-plated



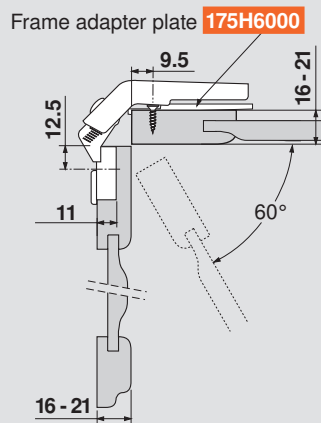
Inside corner application



With flat panel doors

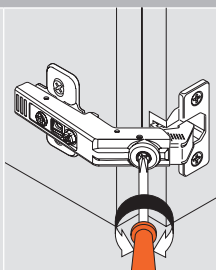


With profile doors

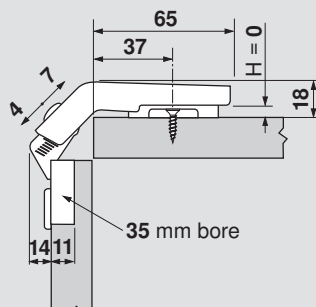


Adjustment

The spiral tech cam adjustment of the CLIP top bi-fold hinge allows +4/-7 mm adjustment



General specifications



Bi-fold hinges	Self close
Screw-on	79T8500.10
Press-in	79T8530.10

Calculating door sizes

The doors for a CLIP top bi-fold application can be of equal or unequal width. To calculate the door width (DW) of each door follow the step-by-step below.

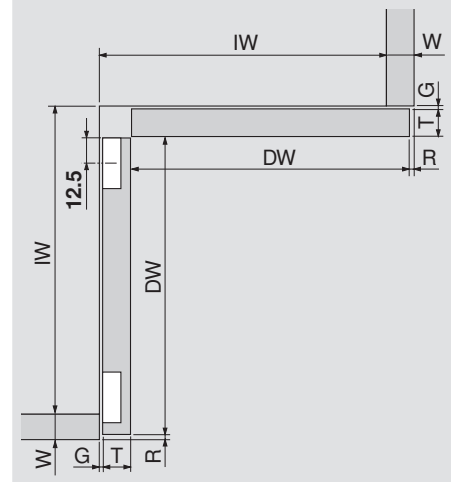
Step 1. Add the interior width to the side panel width (W)

Step 2. Subtract door thickness (T) and reveal (R)

Step 3. Subtract gap (G) and bumper thickness behind adjacent door

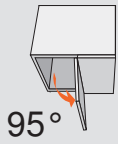
Formula: $DW = (IW + W) \text{ minus } T \text{ minus } R \text{ minus } G$

Example: $DW = (500 + 19) - 19 - 3 - 1$
 $DW = 496 \text{ mm}$



Abbreviations

DW	= Door width
G	= Gap
H	= Plate height
IW	= Interior width
R	= Reveal
T	= Door thickness
W	= Side panel width



CLIP top 95° Inset Blind Corner

Hinges



Features

- Three-dimensional adjustment
- Available with INSERTA attachment
- For door thicknesses up to **24** (15/16")
- All metal hinge, nickel-plated



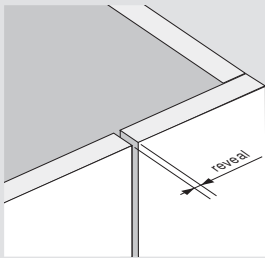
Minimum reveal table						
3	0.1	0.3	0.4	0.5	0.9	1.3
4	0.1	0.3	0.4	0.5	0.9	1.3
5	0.1	0.3	0.4	0.5	0.9	1.3
6	0.1	0.3	0.4	0.5	0.9	1.2
7	0.1	0.3	0.4	0.5	0.9	1.2
B = boring distance	16	18	19	20	22	24

T = door thickness

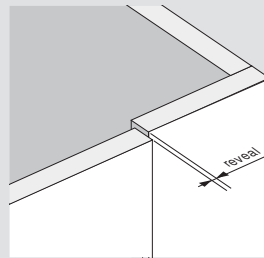
Thickness greater than **24** trial recommended

CLIP top

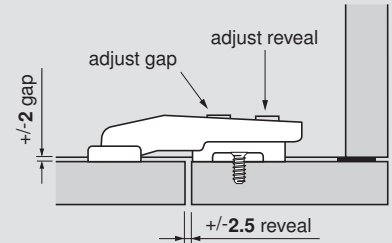
Flush door applications



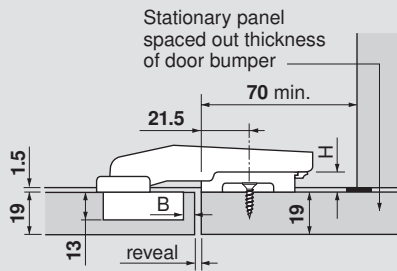
Offset door applications



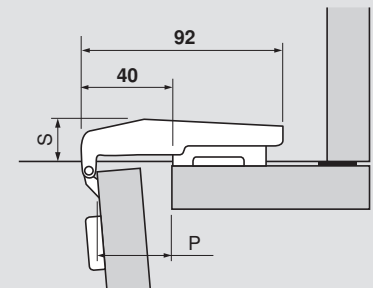
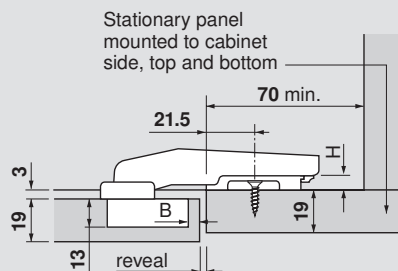
Adjustments and clearances



Back of door is flush with stationary panel



Stationary panel mounted to cabinet side, top and bottom



H	Reveal					P	S
3	5	4	3	2	1	33.5	21
	3	4	5	6	7		
	B = boring distance						

H	Reveal					P	S
0	5	4	3	2	1	33.5	18
	3	4	5	6	7		
	B = boring distance						

Inset blind corner	Self close
Screw-on	79T9550
Press-in	79T9580
INSERTA	79T9590B

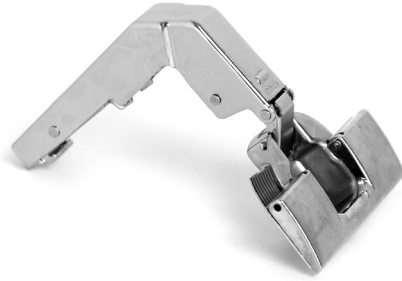
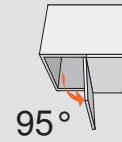
Inset blind corner	Self close
Screw-on	79T9550
Press-in	79T9580
INSERTA	79T9590B

Abbreviations	
H	= Plate height
P	= Door protrusion
S	= Side arm protrusion

Hinges



CLIP top 95° Overlay Blind Corner



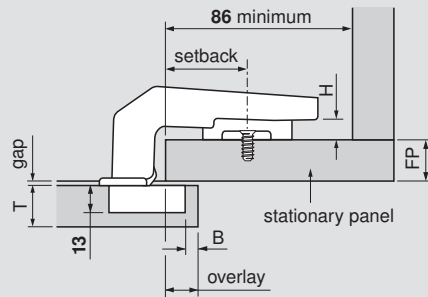
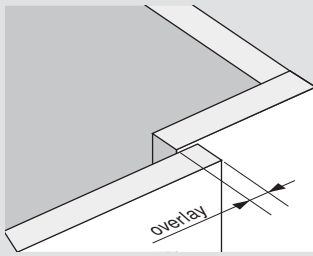
Features

- Three-dimensional adjustment
- Available with INSERTA attachment
- For door thicknesses up to **24** (15/16")
- All metal hinge, nickel-plated

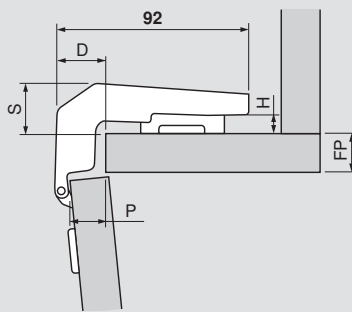
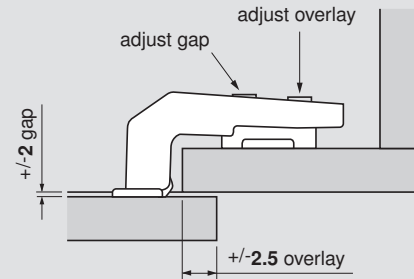
Minimum reveal table						
3	0.1	0.3	0.4	0.5	0.9	1.3
4	0.1	0.3	0.4	0.5	0.9	1.3
5	0.1	0.3	0.4	0.5	0.9	1.3
6	0.1	0.3	0.4	0.5	0.9	1.2
7	0.1	0.3	0.4	0.5	0.9	1.2
B = boring distance	16	18	19	20	22	24
	T = door thickness					

Thickness greater than **24** trial recommended

Overlay application



Adjustments and clearances



NOTE: Door gap can be adjusted ± 2 mm

Setback	Overlay					P	D
27	2	3	4	5	6	27	32
32	7	8	9	10	11	22	27
37	12	13	14	15	16	17	22
	3	4	5	6	7	Fixed distance = 9	
	B = boring distance						

NOTE: Door overlay varies depending on the setback position of the mounting plate. Use the table to select the desired overlay and cross-reference to the plate setback and boring distance.

H	Gap			S
0	7	4	1	21
3	4	1	-	24
6	1	-	-	27
	16	19	22	
	FP = front panel thickness			

NOTE: The door gap varies depending on the stationary panel thickness and the mounting plate height. Use the table to cross-reference the plate height based on the front panel thickness and door gap.

Abbreviations

D	=	Depth
FP	=	Front panel thickness
H	=	Plate height
P	=	Door protrusion
S	=	Side arm protrusion

Overlay blind corner	Self close
INSERTA	79T9990B37



CLIP top 120° Aluminum Door

Hinges



Features

- Not for use with BLUMOTION 973A
- Three-dimensional adjustment
- For door thicknesses up to 22 (7/8")
- All metal hinge, nickel-plated



		Minimum reveal table				
18	1.5	1.9	2.4	2.9	3.7	
19	1.5	1.8	2.2	2.7	3.3	
20	1.4	1.8	2.2	2.6	3.1	
21	1.4	1.7	2.1	2.5	3.0	
22	1.3	1.7	2	2.4	2.9	
Door frame width	18	19	20	21	22	

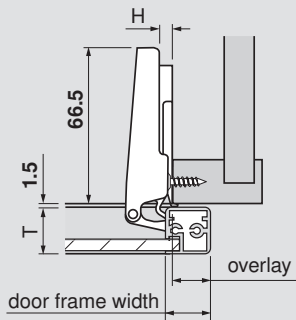
T = door thickness

Thickness greater than 22 trial recommended

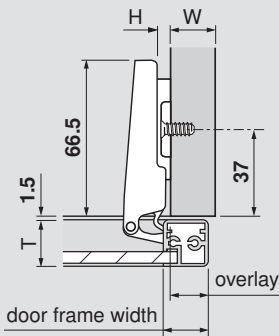
CLIP top

Overlay

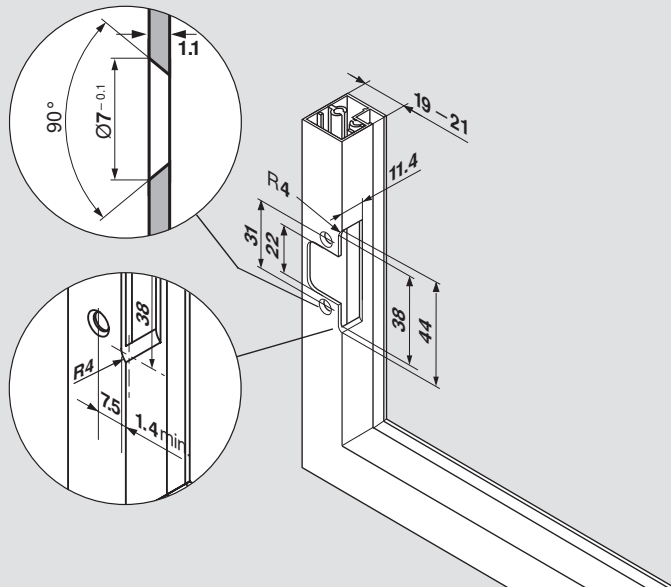
Frame



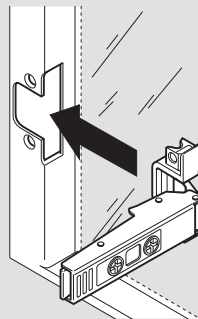
Frameless



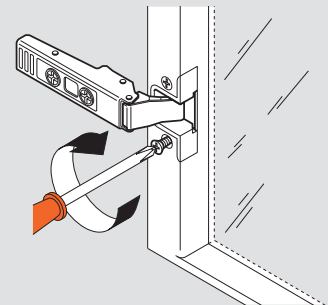
Specifications



Insert hinges into machined openings



Attach with special screws provided with hinges (699.110)



H	Overlay	P	S
0	15	8	19.5
3	12	11	22.5
4.5	10.5	12.5	24
6	9	14	25.5
9	6	17	28.5

Fixed boring distance

NOTE: 4.5 plate is only for use in face frame cabinets, 9 plate is only for frameless cabinets

Straight-arm	Self close	Free swing
Screw-on	73T550A	72T550A.TL

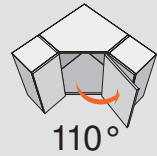
Abbreviations

H	=	Plate height
P	=	Door protrusion
S	=	Side arm protrusion
W	=	Side panel width

Hinges

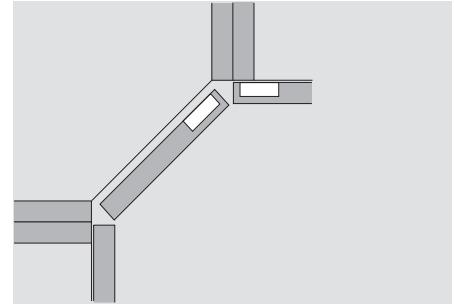


CLIP top 110°
Diagonal 45°



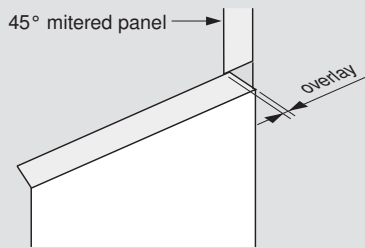
Features

- Three-dimensional adjustment
- Available with INSERTA attachment
- For door thicknesses up to 19 (3/4")
- All metal hinge, nickel-plated

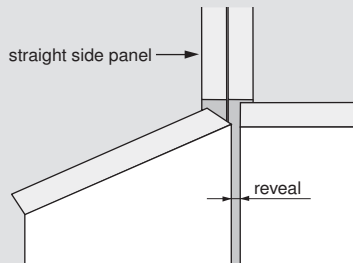


Thickness greater than 19 trial recommended

Overlay application



Inside corner



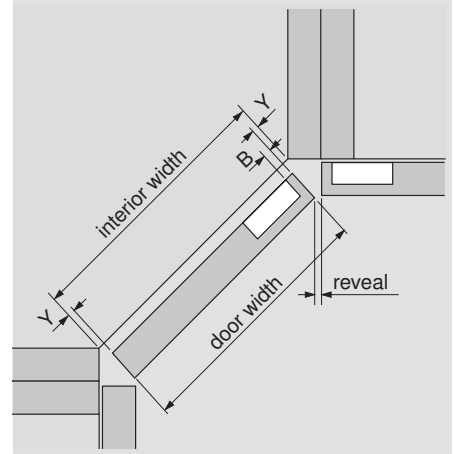
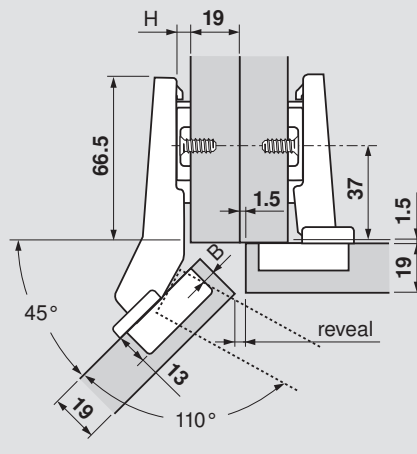
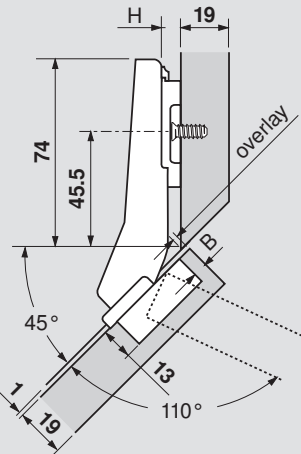
Calculating door width

Step 1. Using the boring distance (B) determined in the reveal table, cross-reference to find the side gap distance (Y) in the table below.

Step 2. Using the following formula to find the door width. Door width = interior width minus (Y x 2).

Example: Interior width = 400 mm, side gap (Y) = 4.5 mm.

$$391 = 400 \text{ minus } (4.5 \times 2)$$



H	Overlay			
0	1	2	3	4
	3	4	5	6
B = boring distance				

H	Reveal			
0	6	5	4	3
	3	4	5	6
B = boring distance				
NOTE: Reveal based on 19 (3/4") side panel				

Y = side gap			
5.5	4.5	3.5	2.5
3	4	5	6
B = boring distance			
NOTE: Based on 19 (3/4") door thickness			

Diagonal 45° hinges	Self close
Screw-on	79T5550
Press-in	79T5580
INSERTA	79T5590B

Diagonal 45° hinges	Self close
Screw-on	79T5550
Press-in	79T5580
INSERTA	79T5590B

Abbreviations	
H	= Plate height
Y	= Side gap



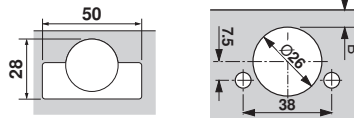
CLIP top 95° Mini

Hinges



Features

- For small doors or doors with small frames
- Side adjustment of +0.5 mm to -3.5 mm
- 26 mm drill bit required (1" cannot be used)
- Three-dimensional adjustment
- For door thicknesses up to 26 (1")
- All metal hinge, nickel-plated



Minimum reveal table

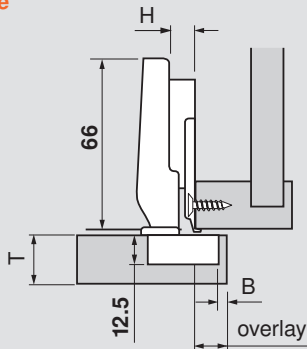
	3	4	5	16	18	19	20	22	24	26
3	1.1	2.2	3.0	3.8	5.5	7.3	9.1			
4	1.1	2.0	2.7	3.5	5.0	6.8	8.6			
5	1.1	1.8	2.4	3.0	4.6	6.3	8.0			
B = boring distance										
	T = door thickness									

Thickness greater than 26 trial recommended

CLIP top

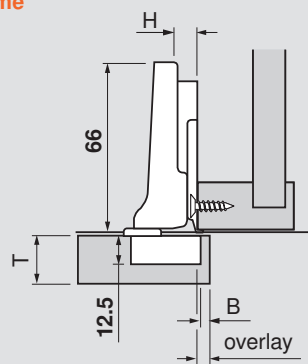
Overlay

Frame



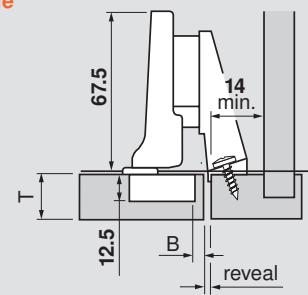
Partial/twin overlay

Frame



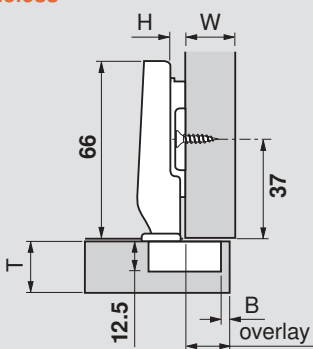
Inset

Frame

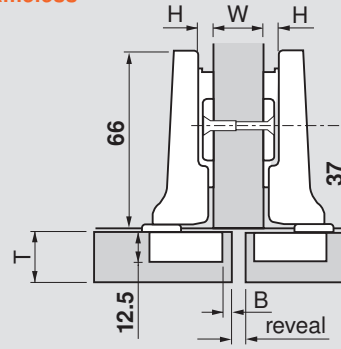


NOTE: This application uses a half-cranked hinge and mounting plate 175H5030.21

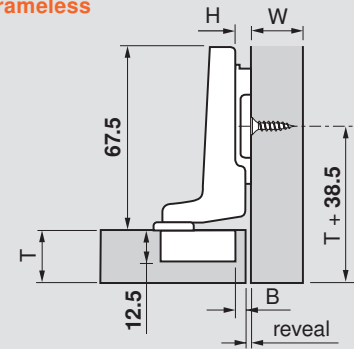
Frameless



Frameless



Frameless



H	Overlay			P	S
0	13	14	15	6	19
3	10	11	12	9	22
4.5	8.5	9.5	10.5	11	23.5
6	7	8	9	12	25
9	4	5	6	15	28
	3	4	5	Fixed distance = 10	
	B = boring distance				

NOTE: 4.5 plate is only for use in face frame cabinets, 9 plate is only for frameless cabinets

H	Overlay			P	S
0	3.5	4.5	5.5	15.5	24
	3	4	5	Fixed distance = .5	
	B = boring distance				

H	Reveal			W	P	S
0	9	7	5	16		
	12	10	8	19	15.5	24
	15	13	11	22		
	3	4	5			
	B = boring distance					

H	Reveal			P	S
0	5	4	3	24	32
	3	4	5	Fixed distance = -8	
	B = boring distance				

Abbreviations

H	=	Plate height
P	=	Door protrusion
S	=	Side arm protrusion
T	=	Door thickness
W	=	Side panel width

Straight-arm	Self close
Screw-on	71T0550

Half-cranked	Self close
Screw-on	71T0650

Full-cranked	Self close
Screw-on	71T0750

Hinges



CLIP top 95° Glass Door



95°

Features

- For glass thickness of 4.5 mm to 7 mm
- Side adjustment of +0.5 mm to -3.5 mm
- Three-dimensional adjustment
- Fixing screws included (605.1100)
- 26 mm drill bit required (1" cannot be used)

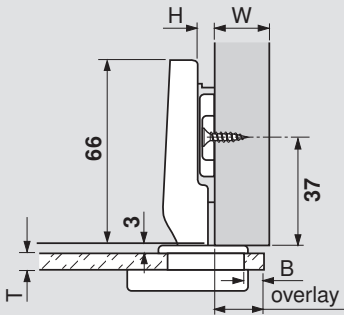


Minimum reveal table				
5.5	0	0	0	0
6	0	0	0	0
6.5	0	0	0	0
7	0	0	0	0
B = boring distance	4.5	5	6	7
	T = door thickness			

Thickness greater than 7 trial recommended

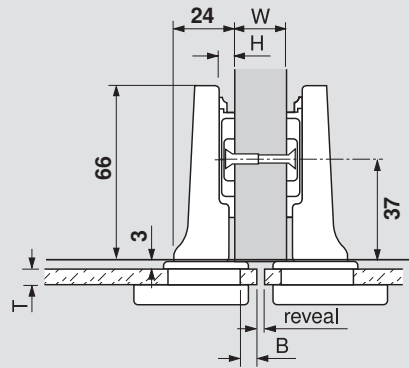
Overlay

Frameless



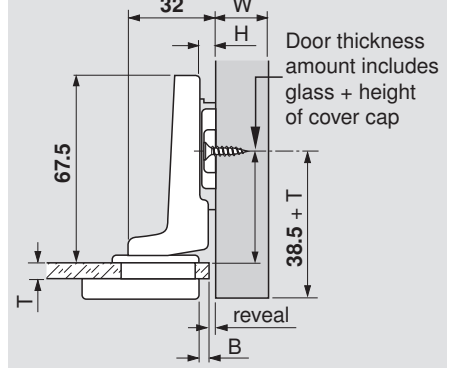
Partial/twin overlay

Frameless



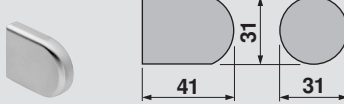
Inset

Frameless

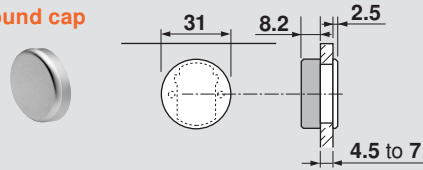


Cover caps for door front

D-shape cap



Round cap

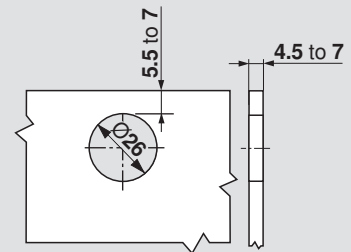


- Required on door front
- D-shape available in polished chrome
- Round available in black and polished chrome

Part no.

D-shape cover cap	84.4120
Round cover cap	84.4140

Boring pattern



H	Overlay				P	S
0	15.5	16	16.5	17	6	19
3	12.5	13	13.5	14	9	22
6	9.5	10	10.5	11	12	25
9	6.5	7	7.5	8	15	28
	5.5	6	6.5	7	Fixed distance = 10	
	B = boring distance					

NOTE: 4.5 plate is only for use in frame cabinets, 9 plate is only for frameless cabinets

H	Reveal				W	P	S
0	4	3	1	0.5	16	15	24
	7	6	5	4	19		
	10	9	8	7	22		
	5.5	6	6.5	7	Fixed distance = .5		
	B = boring distance						

H	Reveal				P	S
0	2.5	2	1.5	1	23.5	32
	5.5	6	6.5	7	Fixed distance = -8	
	B = boring distance					

Abbreviations

H	= Plate height
P	= Door protrusion
S	= Side arm protrusion
T	= Door thickness
W	= Side panel width

Straight-arm

Self close

Screw-on

75T4100

Half-cranked

Self close

Screw-on

75T4200

Full-cranked

Self close

Screw-on

75T4300



CLIP 100°

Hinges



Features

- Three-dimensional adjustment
- Available with INSERTA attachment
- For door thicknesses up to 24 (15/16")
- All metal hinge, nickel-plated
- Add-on BLUMOTION soft close available

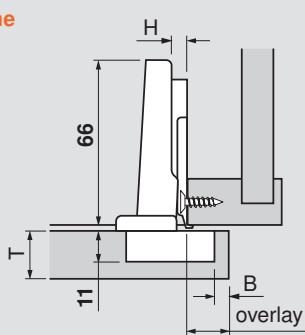


Minimum reveal table						
3	0.5	0.9	1.1	1.4	2.3	3.6
4	0.5	0.8	1.0	1.3	2.0	3.3
5	0.4	0.8	1.0	1.2	1.8	3.0
6	0.4	0.8	0.9	1.1	1.7	2.8
B = boring distance	16	18	19	20	22	24
T = door thickness						

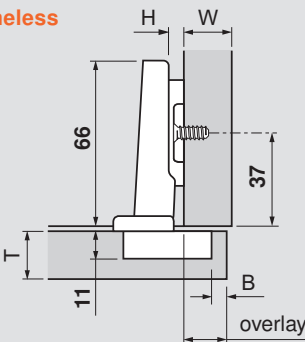
Thickness greater than 24 trial recommended

Overlay

Frame

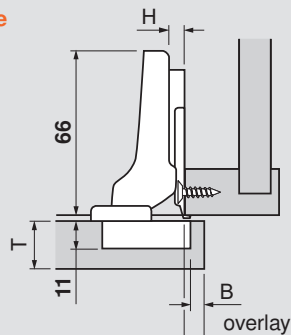


Frameless

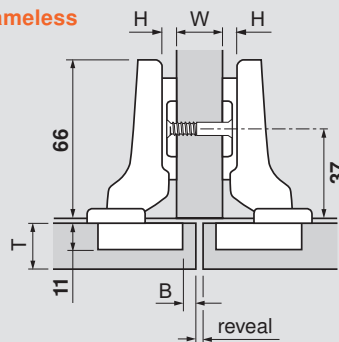


Partial/twin overlay

Frame

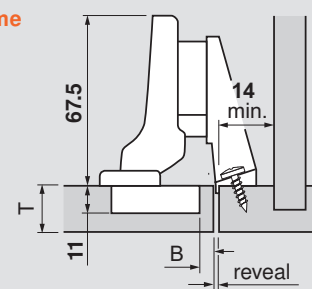


Frameless



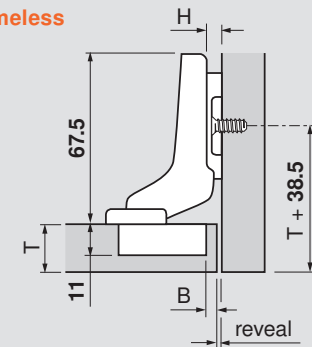
Inset

Frame



NOTE: This application uses a half-cranked hinge and mounting plate 175H5030.21

Frameless



H	Overlay					P	S
0	14	15	16	17	9	20	
3	11	12	13	14	12	23	
4.5	9.5	10.5	11.5	12.5	13.5	24.5	
6	8	9	10	11	15	26	
9	5	6	7	8	18	29	
	3	4	5	6	Fixed distance = 11		
	B = boring distance						

NOTE: 4.5 plate is only for use in face frame cabinets, 9 plate is only for frameless cabinets

H	Overlay				P	S
0	4.5	5.5	6.5	7.5	18.5	30
	3	4	5	6	Fixed distance = 1.5	
	B = boring distance					

H	Reveal				P	S
0	4	3	2	1	27	38
	3	4	5	6	Fixed distance = -7	
	B = boring distance					

H	Reveal				W	P	S
	7	5	3	1	16		
0	10	8	6	4	19	18.5	30
	13	11	9	7	22		
	3	4	5	6	B = boring distance		
	B = boring distance						

Abbreviations

H	=	Plate height
P	=	Door protrusion
S	=	Side arm protrusion
T	=	Door thickness
W	=	Side panel width

Straight-arm	Self close	Free swing
Screw-on	71M2550	70M2550.TL
Press-in	71M2580	70M2580.TL
INSERTA	71M2590B	

Half-cranked	Self close	Free swing
Screw-on	71M2650	70M2650.TL
Press-in	71M2680	
INSERTA	71M2690B	

Full-cranked	Self close	Free swing
Screw-on	71M2750	70M2750.TL
Press-in	71M2780	70M2780.TL
INSERTA	71M2790B	

Angled Hinges from +45° to -45°

Angled hinges provide a tremendous array of possibilities for the professional cabinet designer. Specifically designed for panel constructed (frameless) cabinets, the system accommodates cabinet front angles from -45° to +45°, in 5° increments. This is achieved by combining any of ten angled hinges, or three standard hinges with a wedge spacer and any of five standard CLIP mounting plates.

All CLIP top hinges feature "spiral tech" depth adjustment which eliminates loosening and retightening the adjustment screws. When the doors are ready to be attached to the cabinet, the time-proven CLIP mechanism connects the hinge arm to the mounting plate, again without tools. All components are nickel-plated and have self-closing action, eliminating the need for additional hardware.

Step 1.

On page 47, the angle-to-style cross-reference provides an overview of all the angled hinge applications available to assist with your specific application.

Step 2.

Once the cabinet front angle is determined, select the row for that angle from the first column. There are five different possibilities for positive angles and two for negative angles.

Step 3.

Cross-reference the angle to the style to find the hinge/plate/wedge combination and the specification number. Specifications on pages 48 to 54 are in numerical order and show all the details.

Angled Hinges
CLIP top BLUMOTION and CLIP top

Hinges



Positive Angle Hinges

NOTE: CLIP top BLUMOTION CLIP top

	Part no.		Part no.		Part no.		Part no.
+15°	79B9494	+20°	79B9595	+30° II*	79B9596	+30° III*	79B9496
+15°	79A9494BT	+20°	79A9595BT	+30° II*	79A9596BT	+30° III*	79A9496BT

	Part no.		Part no.		Part no.	
+45° I*	79B9698	+45° II*	79B3598	+45° III*	79B9498	
+45° I*	79A9698BT	+45° II*	79T5590B	+45° III*	79A9498BT	

*These angled hinges are marked I, II, or III on the hinge arm for differentiation (see photo)

Negative Angle Hinges

	Part no.		Part no.		Part no.
-15°	79B3493	-30°	79B3491	-45°	79B3490
-15°	79A5493BT	-30°	79A5491BT	-45°	79A5490BT

Standard Thick Door Hinges Used in Angled Applications

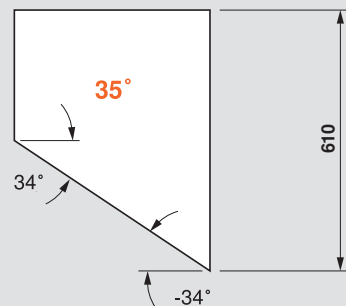
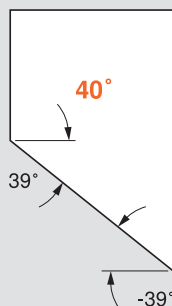
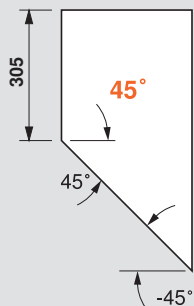
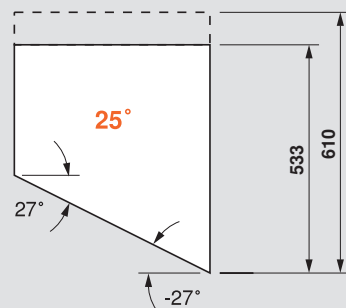
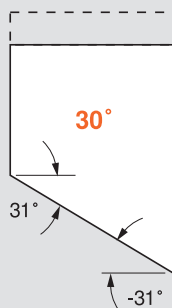
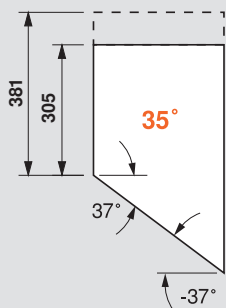
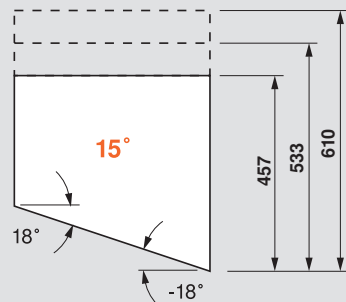
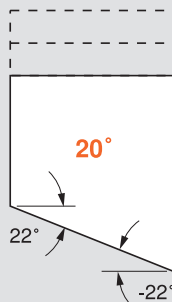
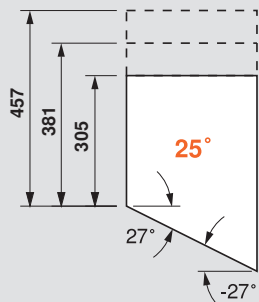
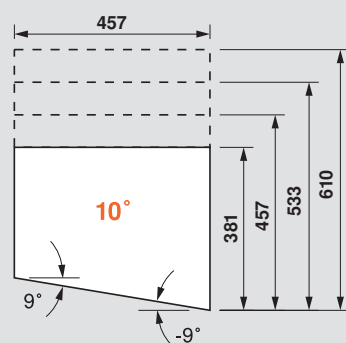
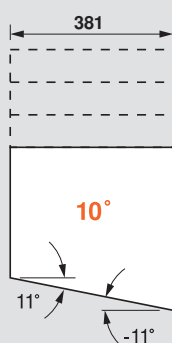
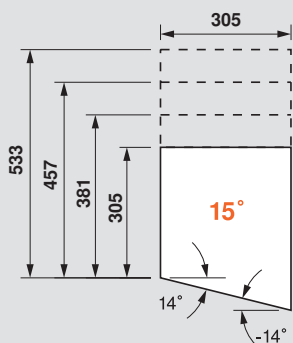
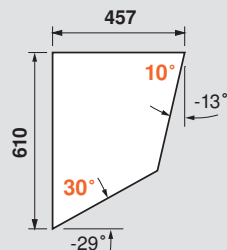
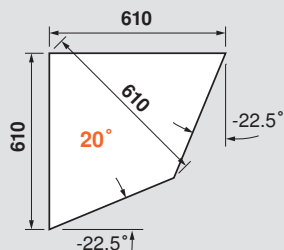
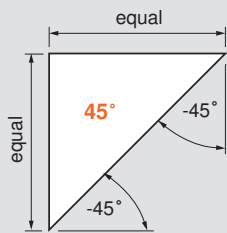
	Part no.		Part no.		Part no.
95° straight-arm	71B9590	95° half-cranked	71B9690	95° full-cranked	71B9790
95° straight-arm	71T9590B	95° half-cranked	71T9690B	95° full-cranked	71T9790B

Angled Spacer Wedges for Positive and Negative Angled Hinges

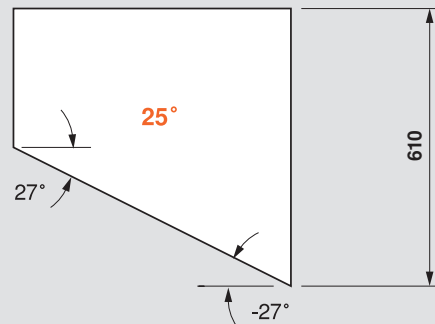
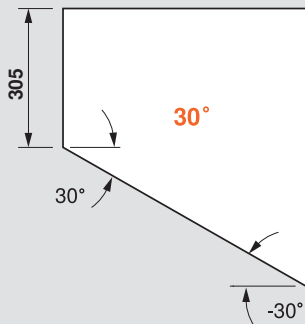
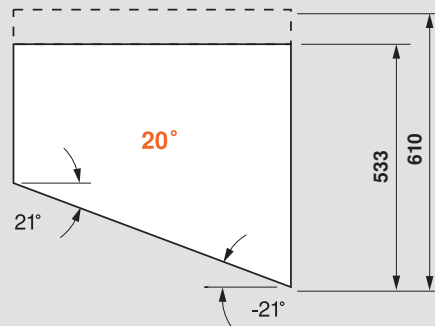
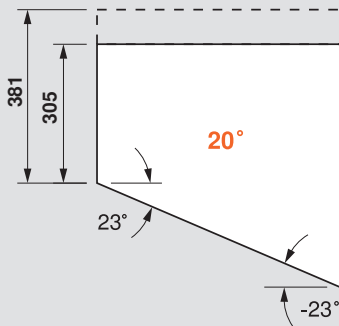
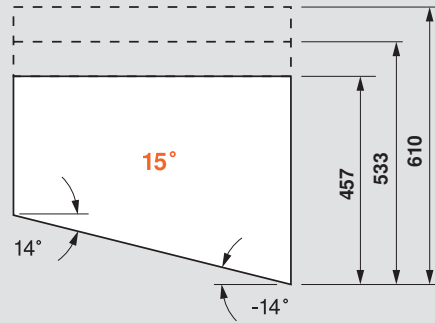
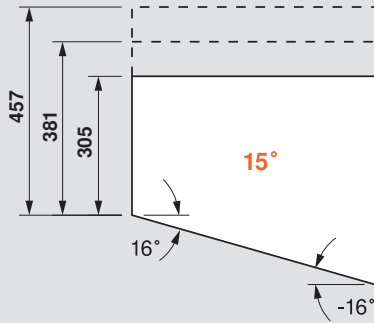
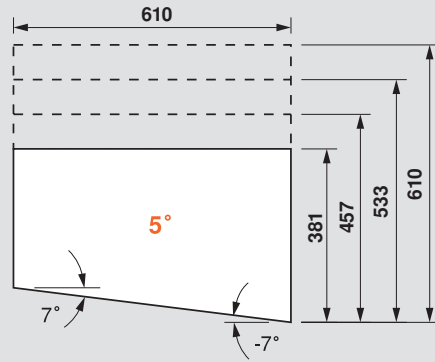
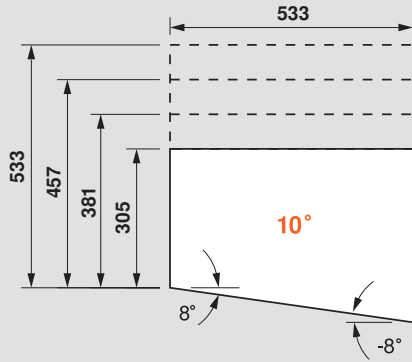
2 mm thickness	4 mm thickness	5 mm thickness	7 mm thickness
Part no.	Part no.	Part no.	Part no.
-5°	171A5500	+5°	171A5010
		+5°	171A5040
		+5°	171A5070

Angled hinges

Match desired configuration to angle-to-style cross-reference chart on page 46



Match desired configuration to angle-to-style cross-reference chart on page 46

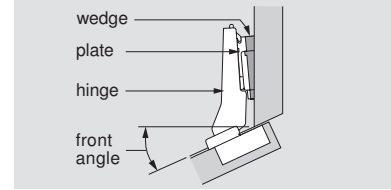


Angled hinges

Application number

hinge	CLIP top BLUMOTION	Part number
hinge	CLIP top	Part number
plate	Mounting plate	Part number
wedge/spacer	May or may not be required	Part number

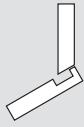
NOTE: All 35 mm and 8 mm holes must be a minimum of 13 mm deep



Positive angles

Negative angles

	Maximum overlay	Partial overlay	Corner merge	Inset door	Mitered corner		Maximum overlay	Inset door
5°	1	10	19	27		-5°	42	51
	71B9590	71B9590	71B9690	71B9790			71B9590	71B9690
	71T9590B	71T9590B	71T9690B	71T9790B			71T9590B	71T9690B
	173H7100	173H7100	173H7100	173H7100			173H7100	173H7100
	171A5010	171A5010	171A5070	171A5010			171A5500	171A5500
10°	2	11	20	28		-10°	43	52
	79B9494	79B9494	79B9494	79B9494			79B3493	79B3493
	79A9494BT	79A9494BT	79A9494BT	79A9494BT			79A5493BT	79A5493BT
	173H7100	173H7100	175H9190.22	175H9190.22			173H7100	175H7190
	171A5500	171A5500	171A5500	171A5500			171A5010	171A5010
15°	3	12	21	29	36	-15°	44	53
	79B9494	79B9494	79B9595	79B9595	79B9595		79B3493	79B3493
	79A9494BT	79A9494BT	79A9595BT	79A9595BT	79A9595BT		79A5493BT	79A5493BT
	175H9160	175H9190	173H7130	175H9190	173H7100		173H7100	175H9190.22
			171A5500	171A5500	171A5500			
20°	4	13	22	30	37	-20°	45	54
	79B9494	79B9595	79B9595	79B9595	79B9595		79B3493	79B3493
	79A9494BT	79A9595BT	79A9595BT	79A9595BT	79A9595BT		79A5493BT	79A5493BT
	173H7100	173H7100	175H9190	175H9190.22	175H9160		173H7100	175H9160
	171A5070						171A5500	171A5500
25°	5	14	23	31	38	-25°	46	55
	79B9496	79B9595	79B9596	79B9596	79B9596		79B3491	79B3491
	79A9496BT	79A9595BT	79A9596BT	79A9596BT	79A9596BT		79A5491BT	79A5491BT
	173H7100	173H7100	173H7100	175H9190.22	173H7100		173H7100	175H7190
	171A5500	171A5010	171A5500		171A5500		171A5040	171A5070
30°	6	15	24	32	39	-30°	47	
	79B9496	79B9596	79B9596	79B9596	79B9596		79B3491	
	79A9496BT	79A9596BT	79A9596BT	79A9596BT	79A9596BT		79A5491BT	
	175H9160	173H7100	175H9190	175H9190.22	173H7130		173H7130	
35°	7	16	25	33	40	-35°	48	
	79B9496	79B9596	79B9596	79B9596	79B9596		79B3491	
	79A9496BT	79A9596BT	79A9596BT	79A9596BT	79A9596BT		79A5491BT	
	173H7100	173H7100	173H7100	175H9190.22	173H7100		173H7100	
	171A5070	171A5010	171A5070	171A5010	171A5040		171A5500	
40°	8	17		34		-40°	49	
	79B9498	79B9498		79B9698			79B3490	
	79A9498BT	79A9498BT		79A9698BT			79A5490BT	
	173H7100	175H9160		175H9190			173H7100	
	171A5500	171A5500		171A5500			171A5040	
45°	9	18	26	35	41	-45°	50	56
	79B9498	79B3598	79B9698	79B3598	79B9698		79B3490	79B3490
	79A9498BT	79T5590B	79A9698BT	79T5590B	79A9698BT		79A5490BT	79A5490BT
	175H9160	173H7100	173H7100	175H9190.22	173H7100		173H7130	175H7190
							181.6130	



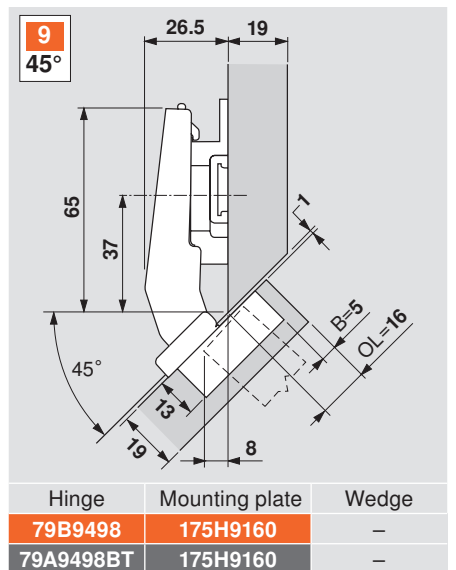
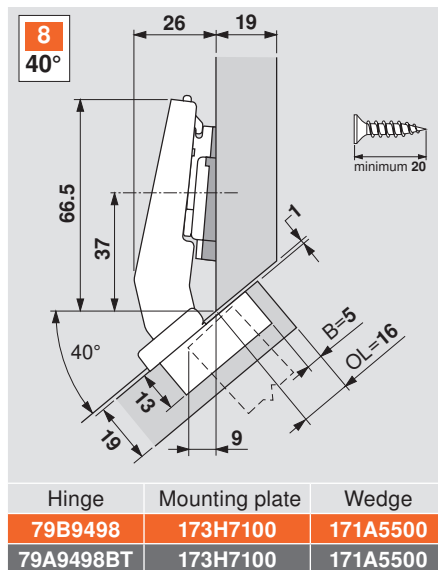
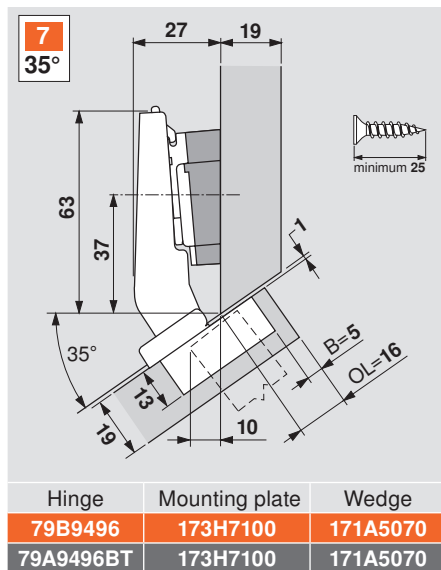
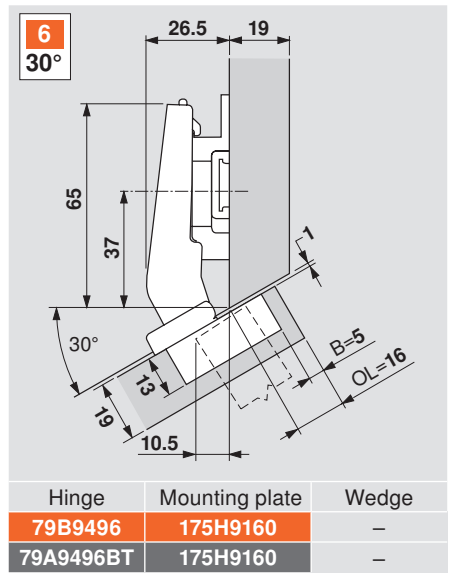
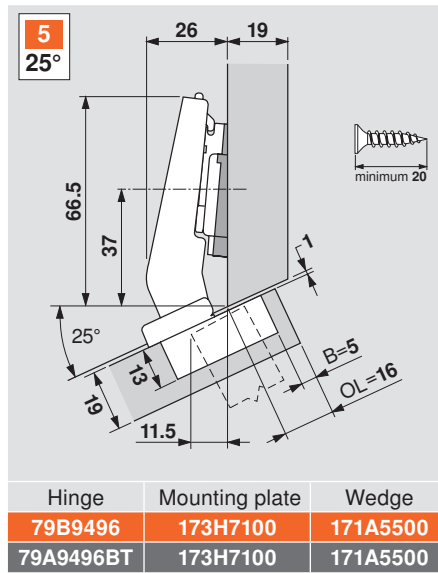
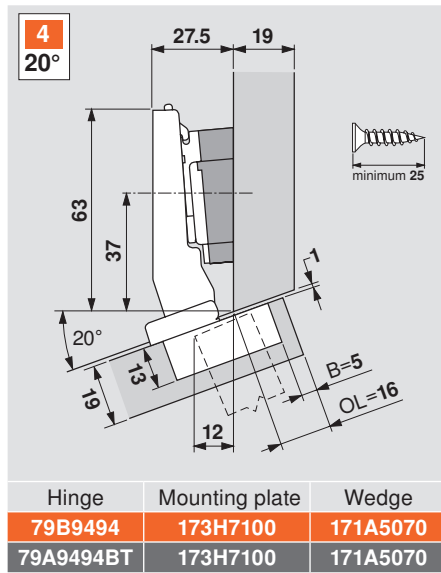
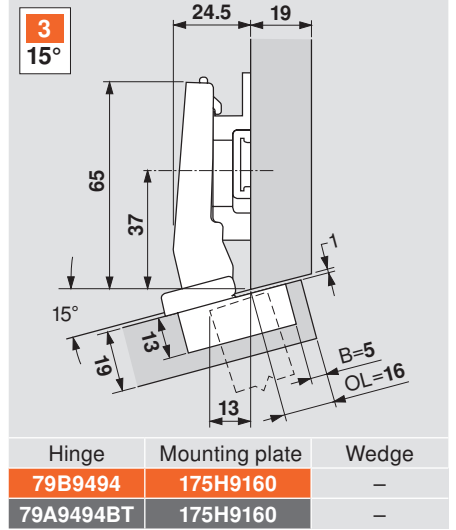
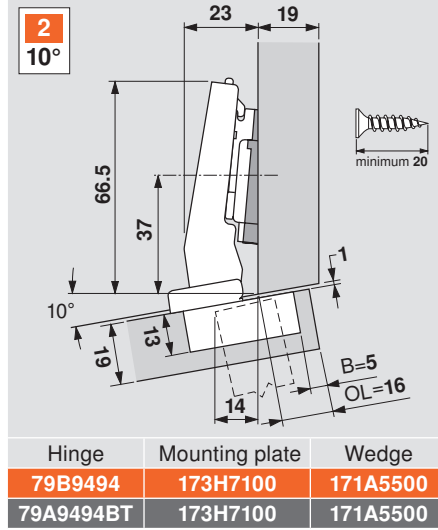
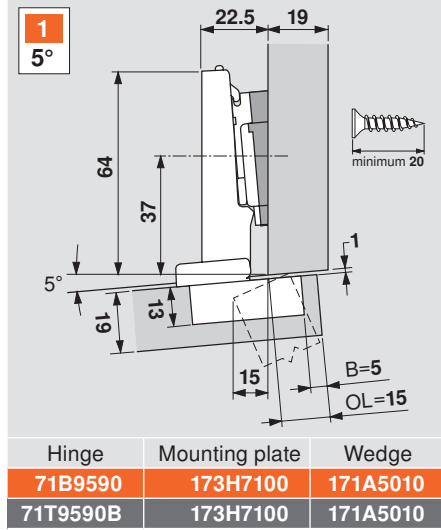
Maximum Overlay Specifications

Hinges



Positive Angle Applications

NOTE: CLIP top BLUMOTION CLIP top

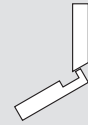


Angled hinges

Hinges

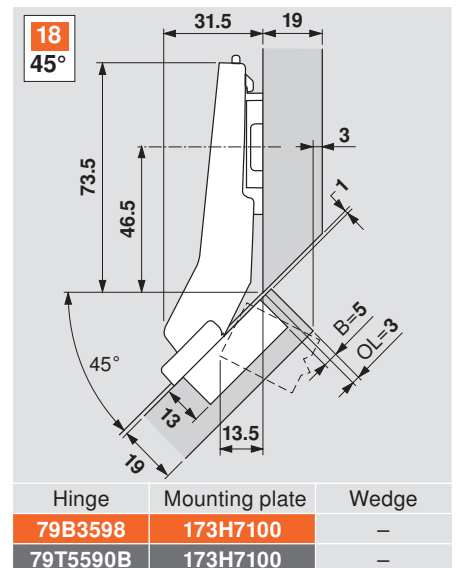
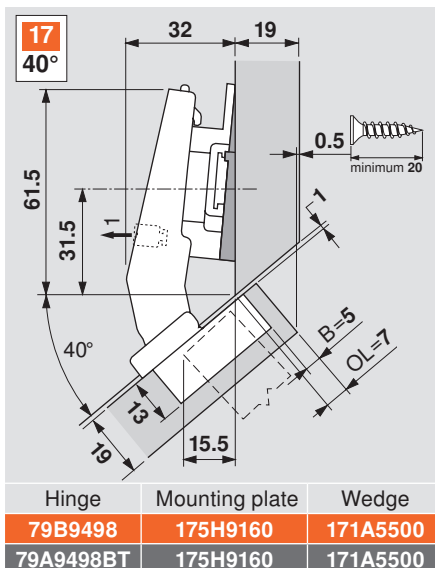
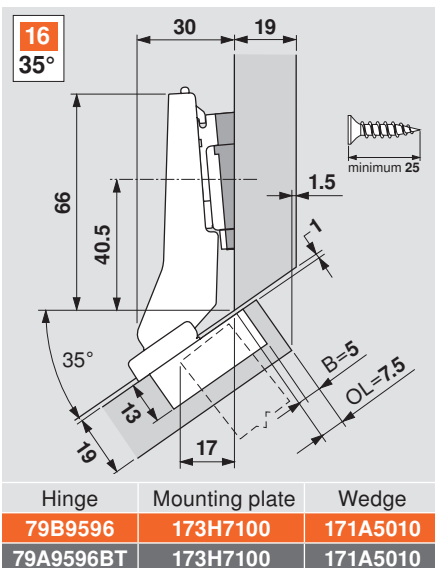
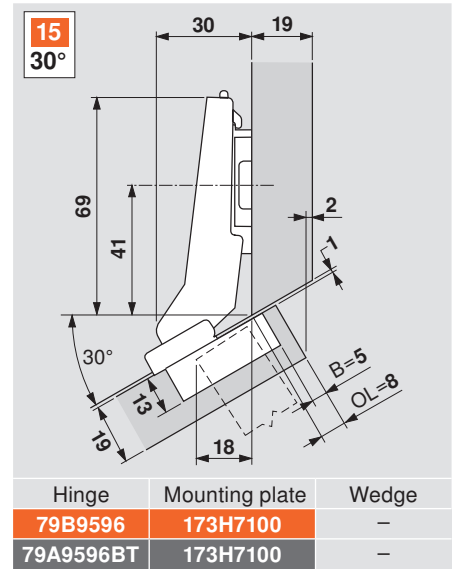
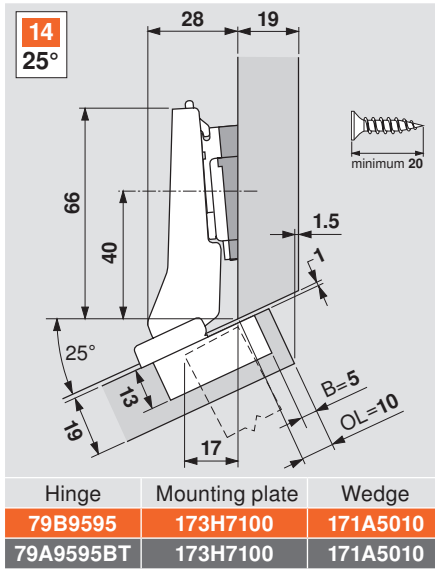
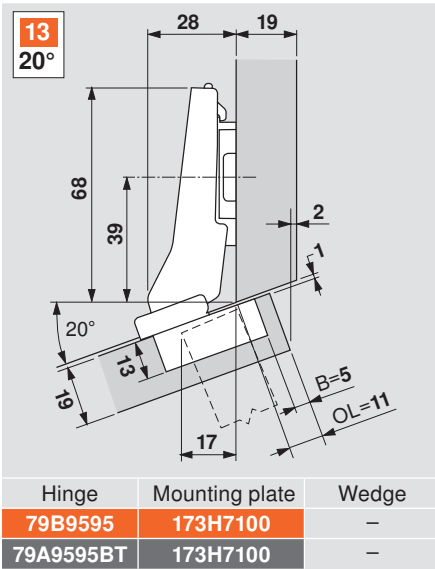
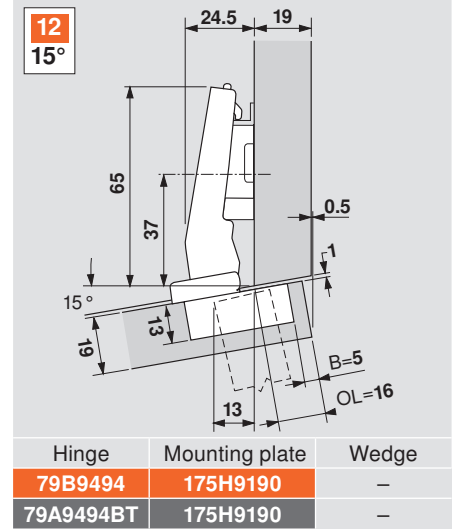
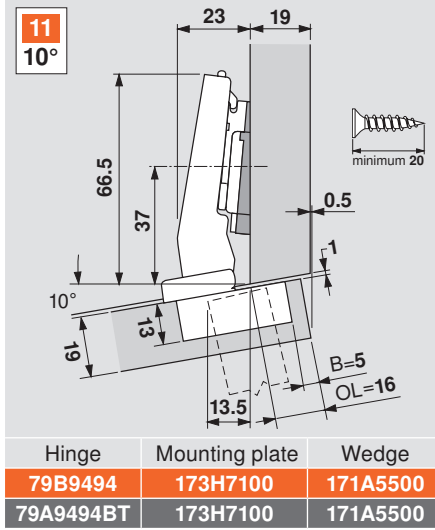
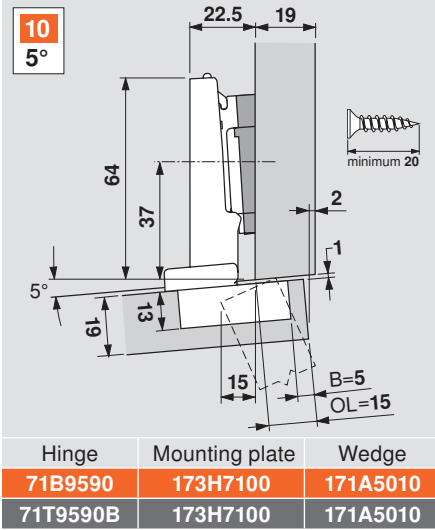


Partial Overlay Specifications

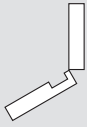


Positive Angle Applications

NOTE: **CLIP top BLUMOTION** CLIP top



Corner Merge Specifications

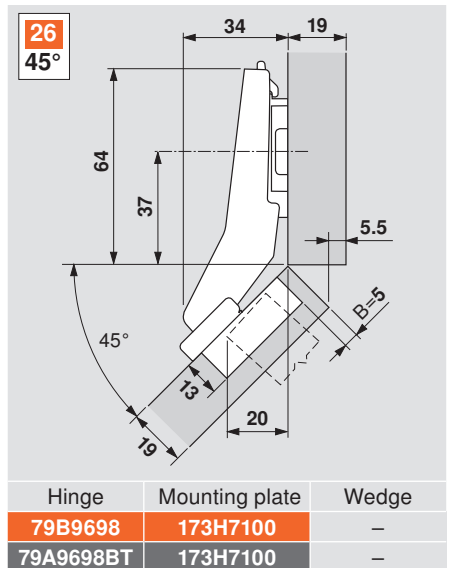
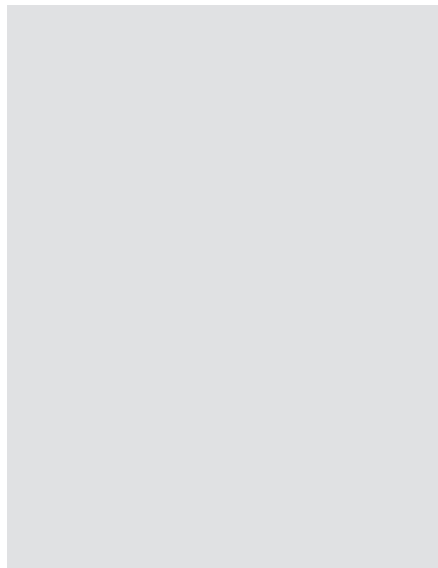
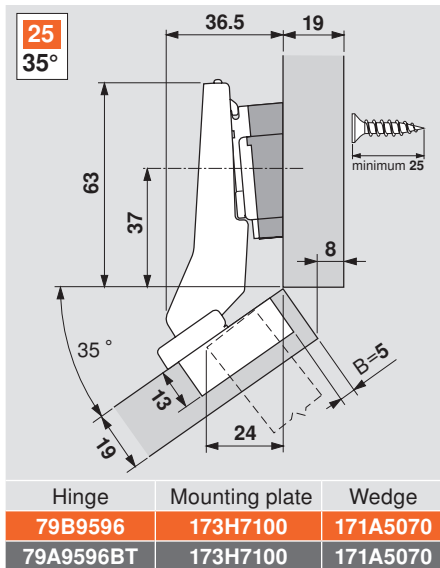
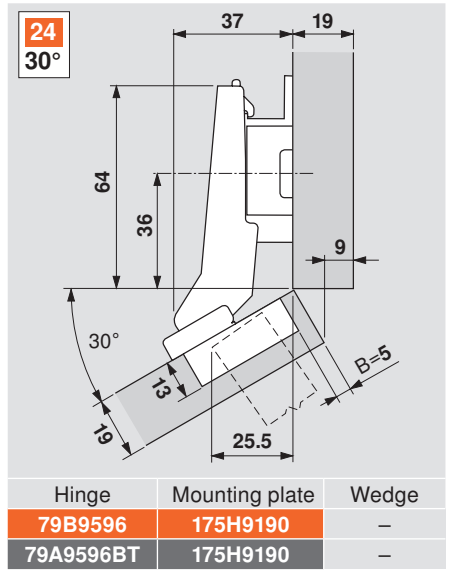
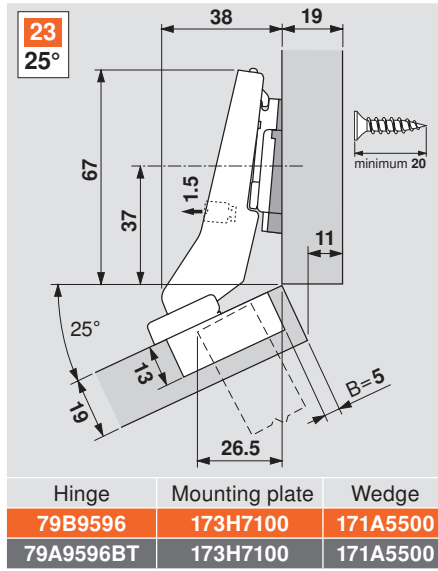
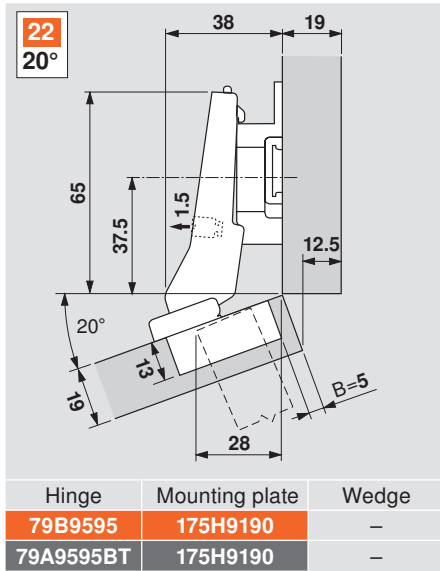
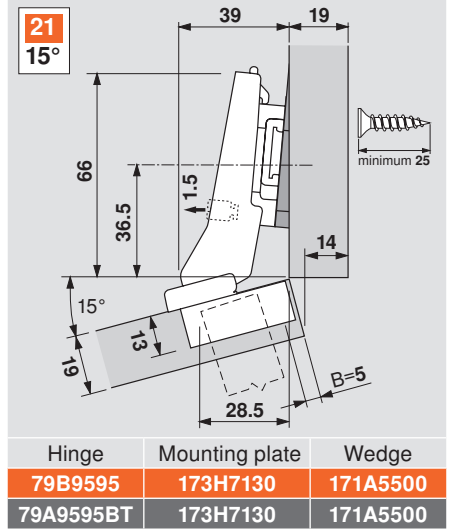
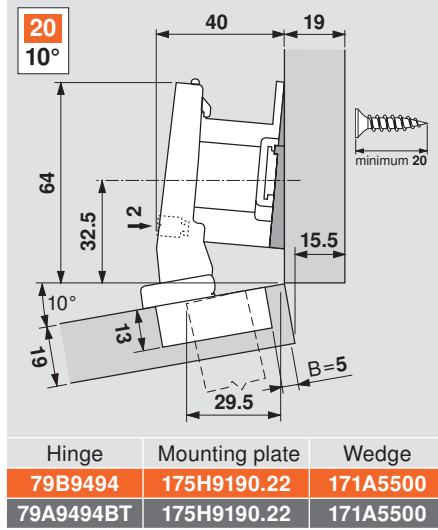
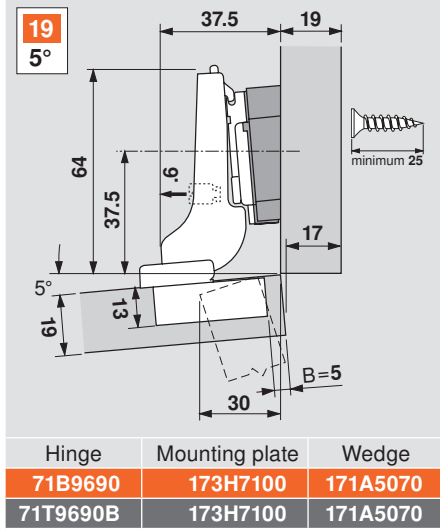


Hinges



Positive Angle Applications

NOTE: CLIP top BLUMOTION CLIP top

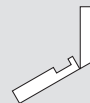


Angled hinges

Hinges

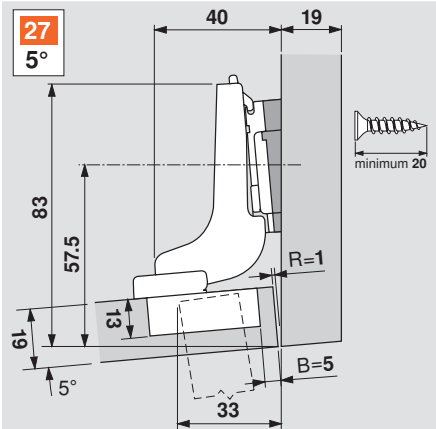


Inset Door Specifications

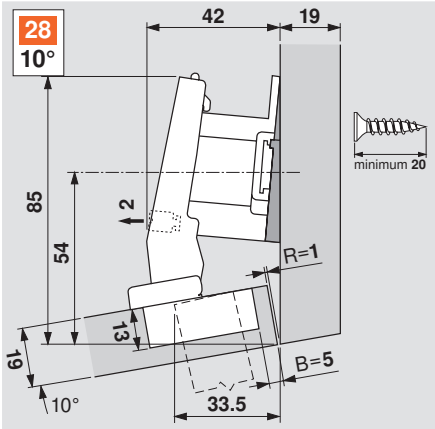


Positive Angle Applications

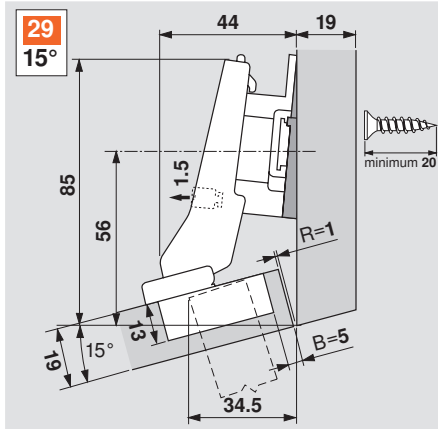
NOTE: **CLIP top BLUMOTION** CLIP top



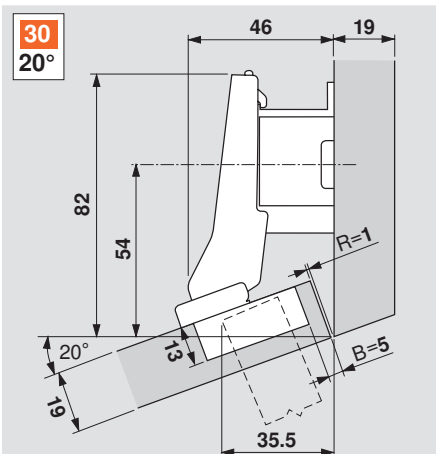
Hinge	Mounting plate	Wedge
71B9790	173H7100	171A5010
71T9790B	173H7100	171A5010



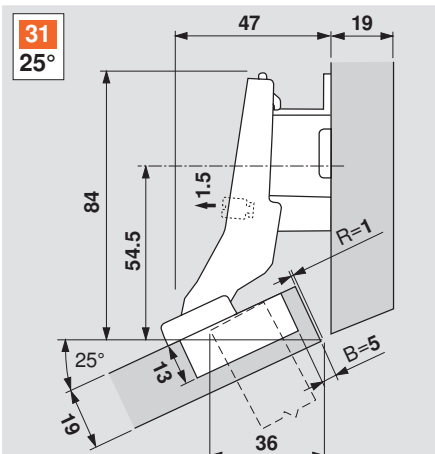
Hinge	Mounting plate	Wedge
79B9494	175H9190.22	171A5500
79A9494BT	175H9190.22	171A5500



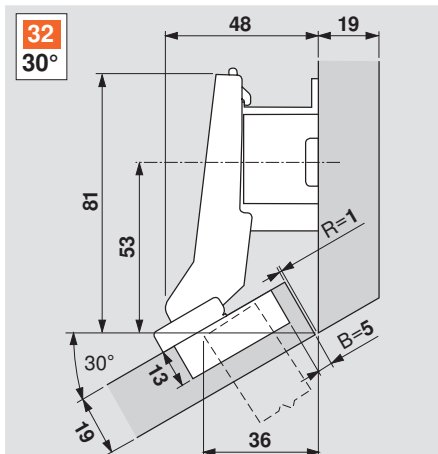
Hinge	Mounting plate	Wedge
79B9595	175H9190	171A5500
79A9595BT	175H9190	171A5500



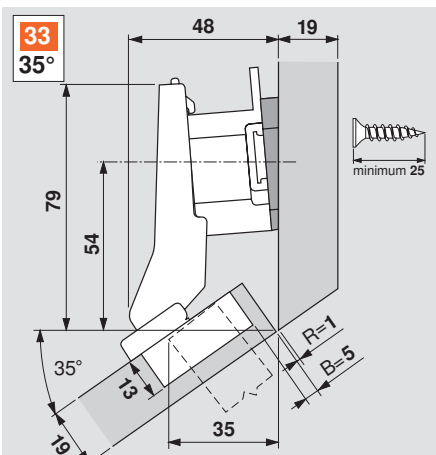
Hinge	Mounting plate	Wedge
79B9595	175H9190.22	-
79A9595BT	175H9190.22	-



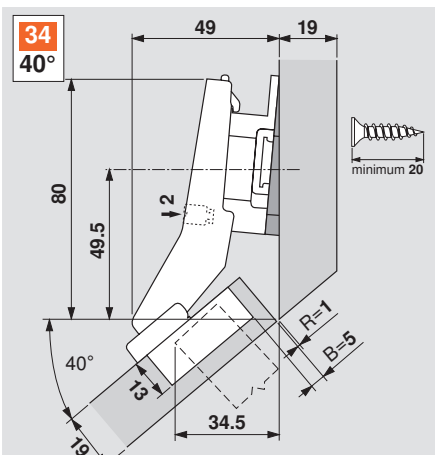
Hinge	Mounting plate	Wedge
79B9596	175H9190.22	-
79A9596BT	175H9190.22	-



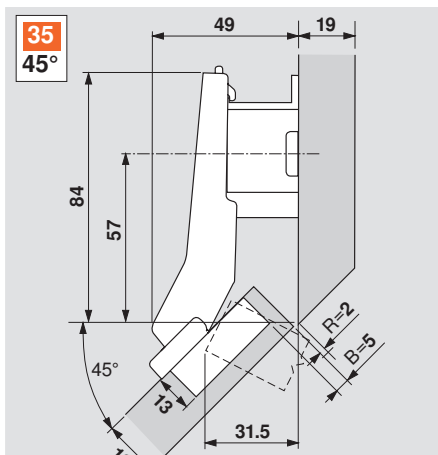
Hinge	Mounting plate	Wedge
79B9596	175H9190.22	-
79A9596BT	175H9190.22	-



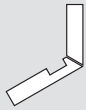
Hinge	Mounting plate	Wedge
79B9596	175H9190.22	171A5010
79A9596BT	175H9190.22	171A5010



Hinge	Mounting plate	Wedge
79B9698	175H9190	171A5500
79A9698BT	175H9190	171A5500



Hinge	Mounting plate	Wedge
79B3598	175H9190.22	-
79T5590B	175H9190.22	-



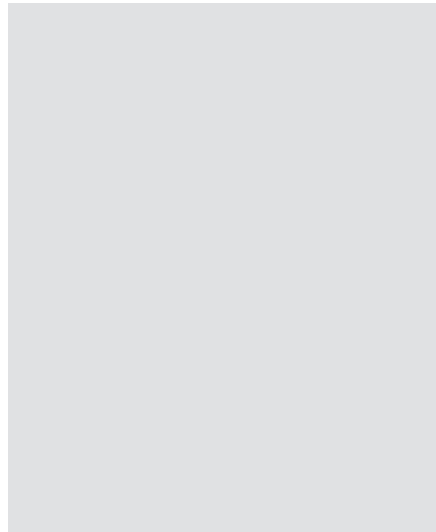
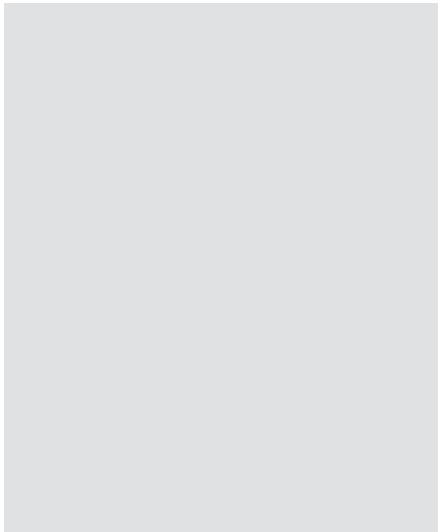
Mitered Corner Specifications

Hinges



Positive Angle Applications

NOTE: CLIP top BLUMOTION CLIP top



36
15°

NOTE:
 ■ Miter door 65°
 ■ Miter side 40°
 ■ Radius edges to fit
 Trial application recommended

64
34.5
16
15°
5
61
34
16
23
R=1
B=11

minimum 20

Hinge	Mounting plate	Wedge
79B9595	173H7100	171A5500
79A9595BT	173H7100	171A5500

37
20°

NOTE:
 ■ Miter door 62°
 ■ Miter side 48°
 ■ Radius edges to fit
 Trial application recommended

61
33.5
2
20°
5
61
32
19
20
R=1
B=11.5

Hinge	Mounting plate	Wedge
79B9595	175H9160	-
79A9595BT	175H9160	-

38
25°

NOTE:
 ■ Miter door 70°
 ■ Miter side 45°
 ■ Radius edges to fit
 Trial application recommended

65
36
1.5
25°
4
19
35
16
22.5
R=1
B=9.5

minimum 20

Hinge	Mounting plate	Wedge
79B9596	173H7100	171A5500
79A9596BT	173H7100	171A5500

39
30°

NOTE:
 ■ Miter door 70°
 ■ Miter side 50°
 ■ Radius edges to fit
 Trial application recommended

63
35
30°
4
19
33
19
19.5
R=1
B=9.5

Hinge	Mounting plate	Wedge
79B9596	173H7130	-
79A9596BT	173H7130	-

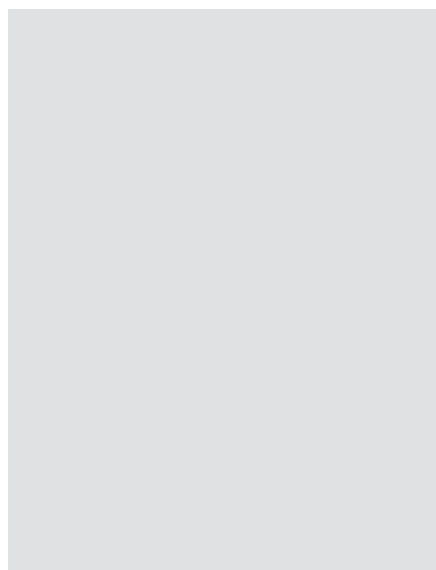
40
35°

NOTE:
 ■ Miter door 70°
 ■ Miter side 55°
 ■ Radius edges to fit
 Trial application recommended

62
36
35°
4
19
17.5
32
19
R=1
B=9

minimum 25

Hinge	Mounting plate	Wedge
79B9596	173H7100	171A5040
79A9596BT	173H7100	171A5040



41
45°

NOTE:
 ■ Miter door 67°
 ■ Miter side 68°
 ■ Radius edges to fit
 Trial application recommended

64
37
45°
3
19
16
32
19
R=1.5
B=9.5

Hinge	Mounting plate	Wedge
79B9698	173H7100	-
79A9698BT	173H7100	-

Angled hinges

Hinges

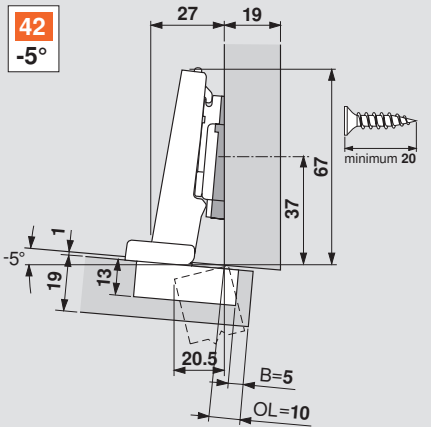


Maximum Overlay Specifications

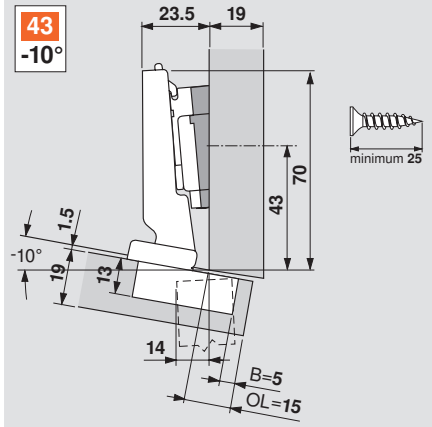


Negative Angle Applications

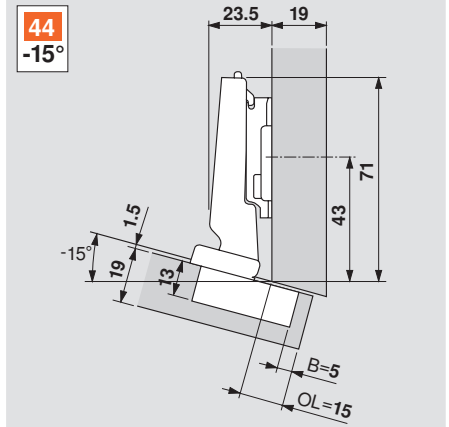
NOTE: **CLIP top BLUMOTION** CLIP top



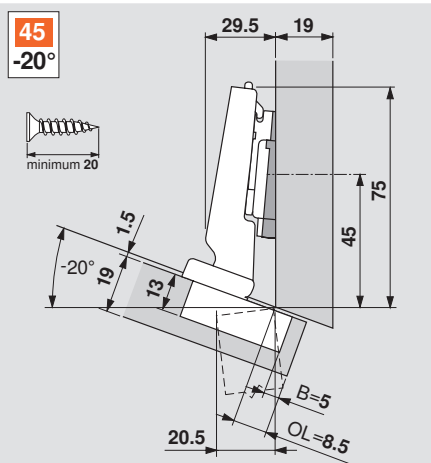
Hinge	Mounting plate	Wedge
71B9590	173H7100	171A5500
71T9590B	173H7100	171A5500



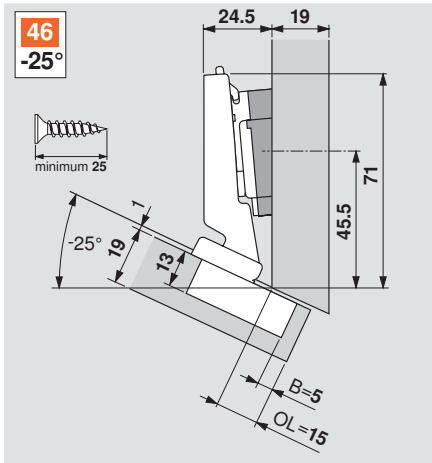
Hinge	Mounting plate	Wedge
79B3493	173H7100	171A5010
79A5493BT	173H7100	171A5010



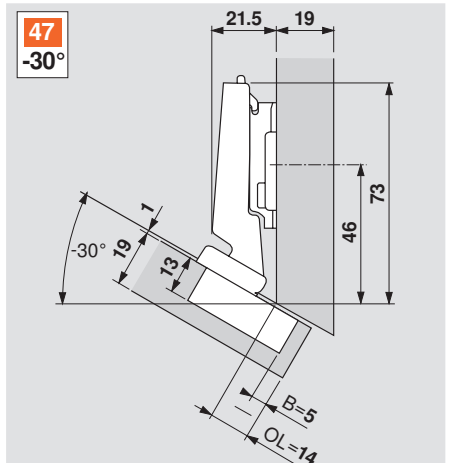
Hinge	Mounting plate	Wedge
79B3493	173H7100	-
79A5493BT	173H7100	-



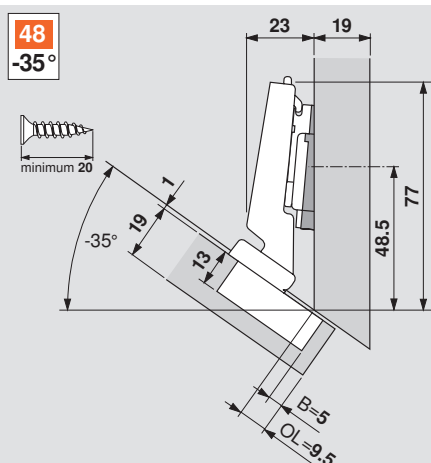
Hinge	Mounting plate	Wedge
79B3493	173H7100	171A5500
79A5493BT	173H7100	171A5500



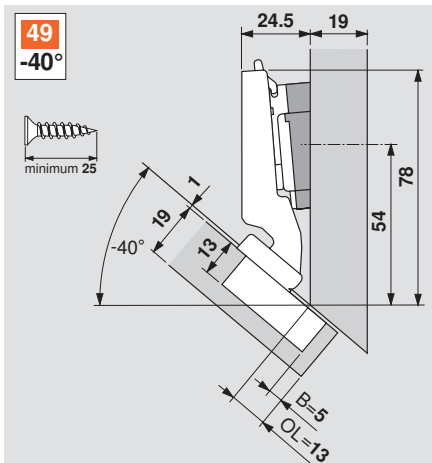
Hinge	Mounting plate	Wedge
79B3491	173H7100	171A5040
79A5491BT	173H7100	171A5040



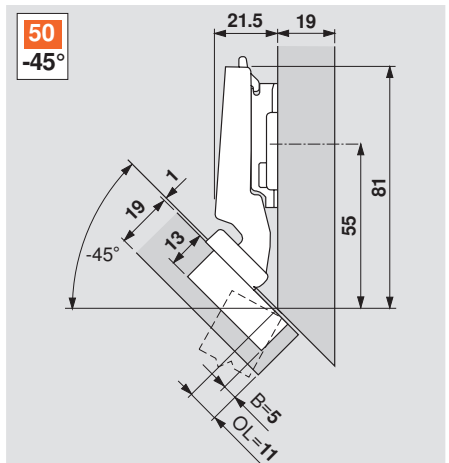
Hinge	Mounting plate	Wedge
79B3491	173H7130	-
79A5491BT	173H7130	-



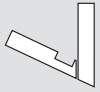
Hinge	Mounting plate	Wedge
79B3491	173H7100	171A5500
79A5491BT	173H7100	171A5500



Hinge	Mounting plate	Wedge
79B3490	173H7100	171A5040
79A5490BT	173H7100	171A5040

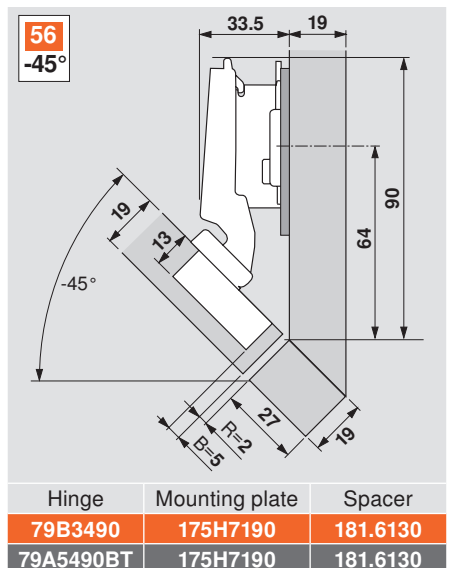
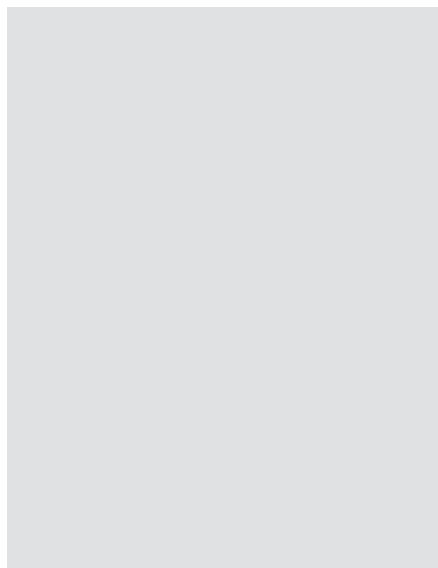
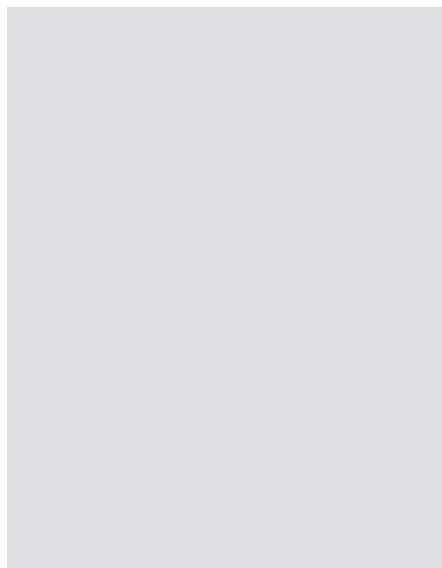
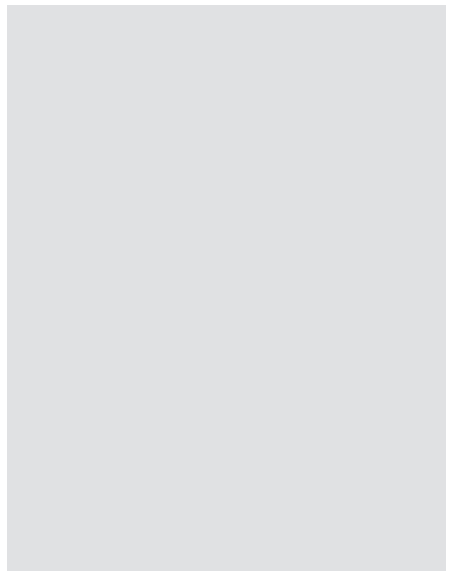
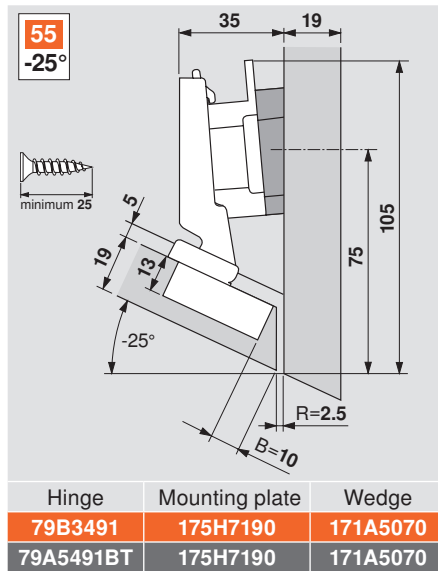
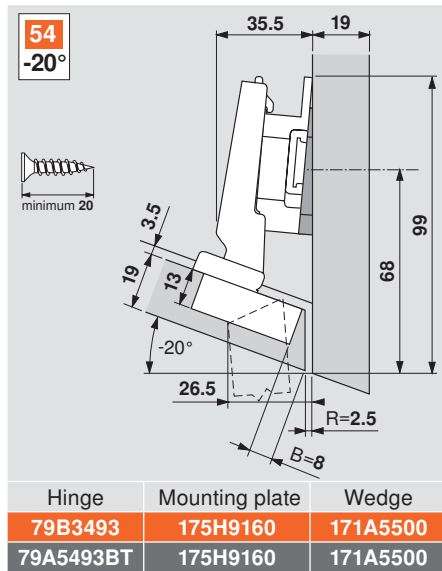
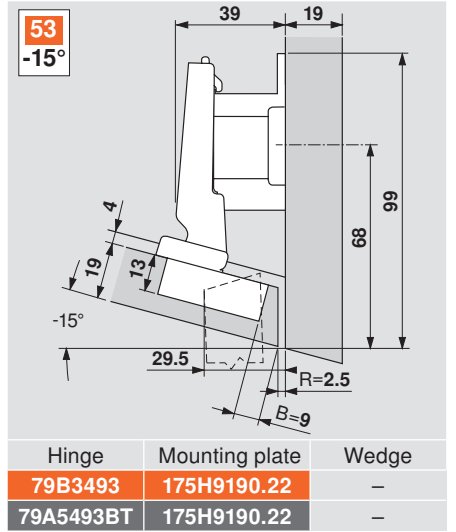
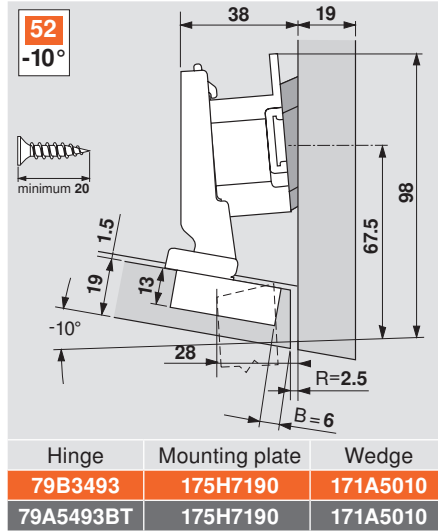
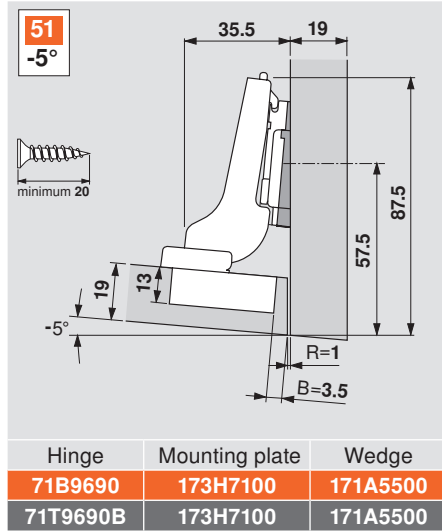


Hinge	Mounting plate	Wedge
79B3490	173H7130	-
79A5490BT	173H7130	-



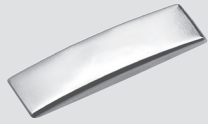
Negative Angle Applications

NOTE: CLIP top BLUMOTION CLIP top



Angled hinges

Hinge arm cover caps



70.1503



70.1503.BP
(Blum logo)



70.1553



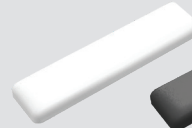
70.1663



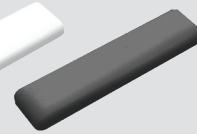
70.4503



80.6507



90M2103.01



		Nylon	Steel
100°, 107°, 110°, 110°+, 120°, 120°+, thick door and bi-fold hinges	Straight-arm	90M2103.01	70.1503
	Embossed Blum logo		70.1503.BP
	Cranked-arm		70.1663
Diagonal 45°, blind corner, narrow aluminum door hinges		90M2103.01	70.1503
Angled, mini and glass door hinges with straight or cranked-arms			70.1553
155°/125° hinges			70.4503
170° hinges			80.6507

NOTE: Custom logo cover caps available (minimums apply)

Hinge cup spacer

- 1.5 mm spacer for use under the hinge cup
- Use to retrofit existing doors with a cup depth less than 13 mm
- Non-stackable
- Gray nylon
- Not for use with INSERTA hinges



Part no.

Hinge cup spacer

70T3507.21

Hinge cup cover cap

- For use with CLIP top BLUMOTION hinges
- Suitable for screw-on, press-in and EXPANDO hinge cups
- Can also be used with CLIP top 110° and 110°+ hinges
- Steel, nickel-plated



Part no.

Hinge cup cover cap

70T3504

Hinge cup cover cap

- For use with CLIP top hinges only
- Suitable for screw-on, press-in and EXPANDO hinge cups for CLIP top 107°, 120°, 120°+, thick door and blind corner hinges
- Clip on attachment/removal
- Steel, nickel-plated



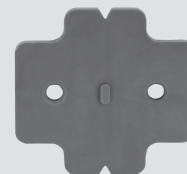
Part no.

Hinge cup cover cap

70T1504

3 mm spacer

- Reduces overlays by 3 mm
- Mounts under CLIP wing mounting plates
- Stackable
- Gray nylon

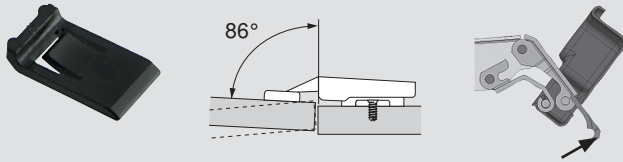


Part no.

3 mm spacer

181.6130

Angle restriction clip for 107° hinges



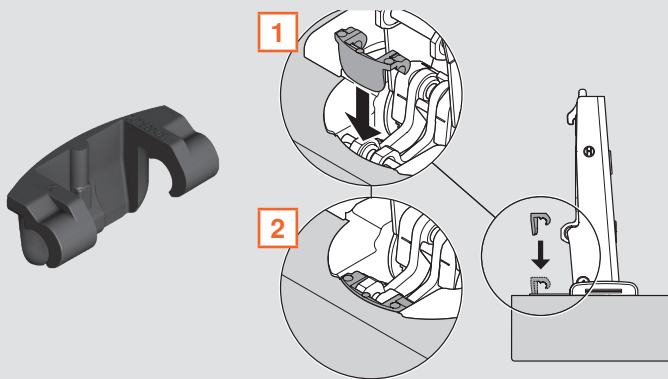
- Reduces opening angle of the CLIP top and CLIP 107° to 86°
- For use with CLIP top 107° and CLIP 107° hinges only
- Installs quickly, easily and tool-free
- Non-removable
- Black nylon

Part no.

86° Angle restriction clip

74.1103

Angle restriction clip for 110° hinges



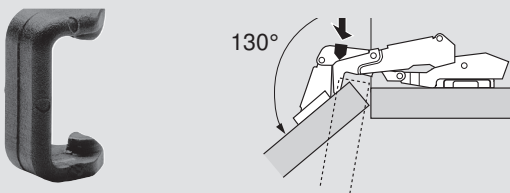
- Reduces opening angle of the CLIP top 110° and 110°+ to 86°
- For use with CLIP top 110° and 110°+ hinges only
- Installs quickly, easily and tool-free either before or after the hinge has been installed
- Black nylon

Part no.

86° Angle restriction clip

70T3553

Angle restriction clip for 170° hinges



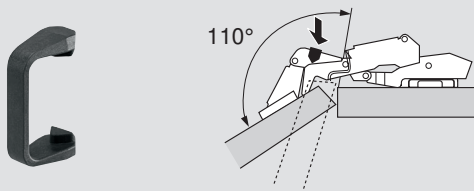
- Reduces opening angle of the CLIP top 170° to 130°
- Required for special applications of the 170° hinge
- Installs quickly, easily and tool-free
- Black nylon

Part no.

130° Angle restriction clip

70.6103

Angle restriction clips for zero protrusion hinges

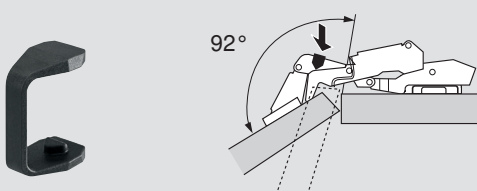


- Reduces opening angle of CLIP top 155° hinges to 110°/CLIP top 125° hinges to 92°
- For use with 155°/125° hinges only
- Installs quickly, easily and tool-free
- Gray nylon

Part no.

110° Angle restriction clip

70T7553



- Reduces opening angle of CLIP top 155° hinges to 92°
- For use with 155° hinges only
- Installs quickly, easily and tool-free
- Gray nylon

Part no.

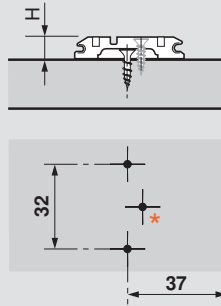
92° Angle restriction clip

70T7553.09

NOTE: Angle restriction clip 70T3553 provides the 155° hinges with 110° and the 125° hinges with 92°

Standard one-piece wing mounting plates

Wood screw

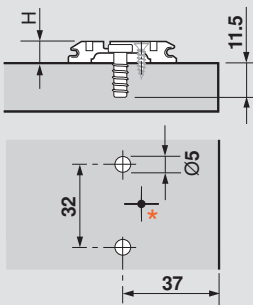


- Steel, nickel-plated
- Attached with #6 x 5/8" wood screws
- Height adjustment ± 3 mm

Part no.

0 plate height (H)	173L6100
3 plate height (H)	173L6130

System screw

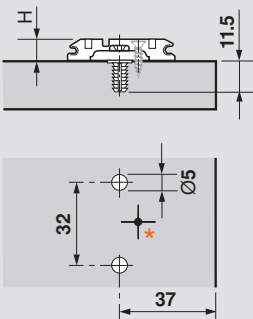


- Steel, nickel-plated
- Attached with pre-mounted $\text{Ø}5$ mm system screws (668.1450.EH)
- Height adjustment ± 3 mm

Part no.

0 plate height (H)	173L8100
3 plate height (H)	173L8130

EXPANDO

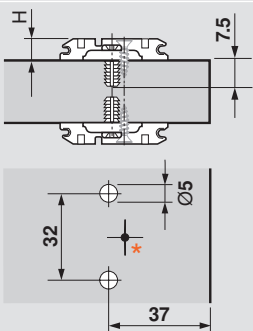


- Steel, nickel-plated
- Attached with pre-mounted screws with EXPANDO dowels (618.1500)
- Height adjustment ± 2 mm

Part no.

0 plate height (H)	174E6100.01
--------------------	-------------

EXPANDO (twin application)

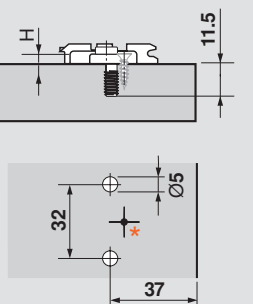
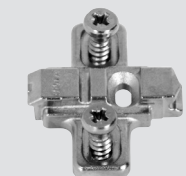


- Steel, nickel-plated
- Attached with pre-mounted screws with EXPANDO dowels for twin application (618.1500)
- Height adjustment ± 2 mm

Part no.

0 plate height (H)	174E610Z
--------------------	----------

System screw



- Zinc die-cast, nickel-plated
- Attached with pre-mounted $\text{Ø}5$ mm system screws (668.1450.EH)
- Height adjustment ± 3 mm

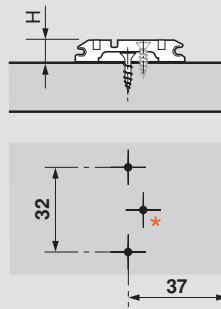
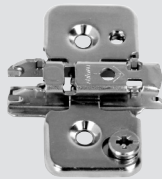
Part no.

0 plate height (H)	175L8100
3 plate height (H)	175L8130
9 plate height (H)	175L8190

*Add additional wood screw if used with wide angled hinges

Cam adjustable wing mounting plates

Wood screw



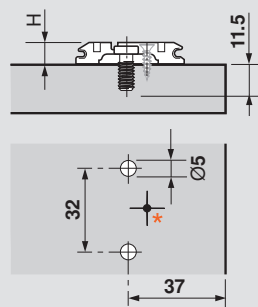
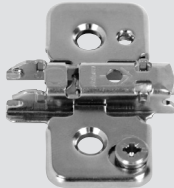
- Steel, nickel-plated
- Attached with #6 x 5/8" wood screws
- Cam height adjustment ± 2 mm

Part no.

0 plate height (H) **173H7100**

3 plate height (H) **173H7130**

System screw



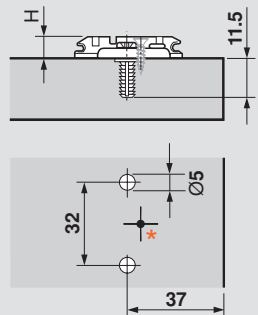
- Steel, nickel-plated
- Attached with #7 x 5/8" wood screws or $\text{Ø}5 \times 13$ mm system screws
- Cam height adjustment ± 2 mm

Part no.

0 plate height (H) **173H9100**

3 plate height (H) **173H9130**

EXPANDO



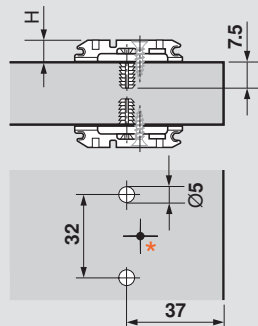
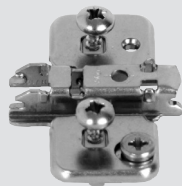
- Steel, nickel-plated
- Attached with pre-mounted screws with EXPANDO dowels (618.1500)
- Cam height adjustment ± 2 mm

Part no.

0 plate height (H)* **174H7100E**

3 plate height (H) **174H7130E**

EXPANDO (twin application)

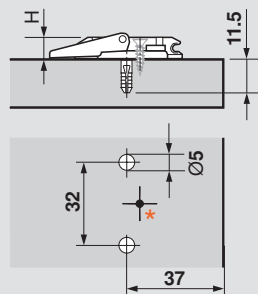
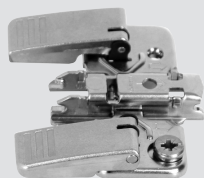


- Steel, nickel-plated
- Attached with pre-mounted screws with EXPANDO dowels for twin application (618.1500)
- Cam height adjustment ± 2 mm

Part no.

0 plate height (H) **174H710ZE**

INSERTA



- Steel (closing lever – zinc die-cast, nickel-plated)
- Tool-free assembly with INSERTA self-anchoring feature
- Cam height adjustment ± 2 mm

Part no.

0 plate height (H) **174H7100I**

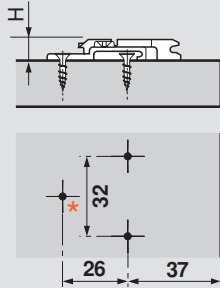
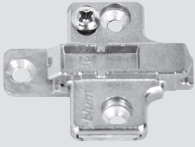
3 plate height (H) **174H7130I**

*Add additional wood screw if used with wide angled hinges

CLIP plates

Standard two-piece wing mounting plates

Wood screw

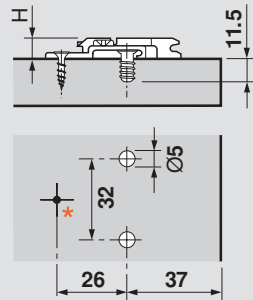
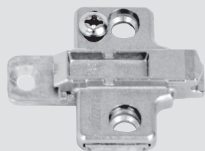


- Zinc die-cast, nickel-plated
- Attached with #6 x 5/8" wood screws
- Height adjustment ± 2 mm

Part no.

0 plate height (H)	175H7100
3 plate height (H)	175H7130
9 plate height (H)	175H7190

System screw



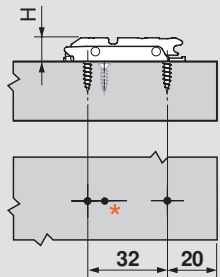
- Zinc die-cast, nickel-plated
- Attached with #7 x 5/8" wood screws or $\varnothing 5 \times 13$ mm system screws
- Height adjustment ± 2 mm

Part no.

0 plate height (H)	175H9100
3 plate height (H)	175H9130
6 plate height (H)	175H9160
9 plate height (H)	175H9190
18 plate height (H)	175H9190.22

Cam adjustable in-line mounting plates

Wood screw

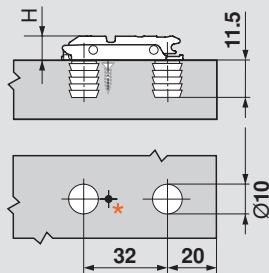
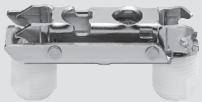


- Steel, nickel-plated
- Attached with #6 x 5/8" wood screws
- Cam height adjustment ± 2 mm
- Use of mounting plate template recommended

Part no.

0 plate height (H)*	175H3100
---------------------	----------

Press-in

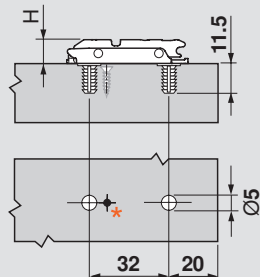
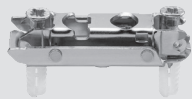


- Steel, nickel-plated
- Pre-attached with 10 mm dowels
- Cam height adjustment ± 2 mm
- Use of insertion ram MZM.0053 required

Part no.

0 plate height (H)	177H3100
--------------------	----------

EXPANDO



- Steel, nickel-plated
- Attached with pre-mounted screws with EXPANDO dowels
- Cam height adjustment ± 2 mm
- Use of mounting plate template recommended

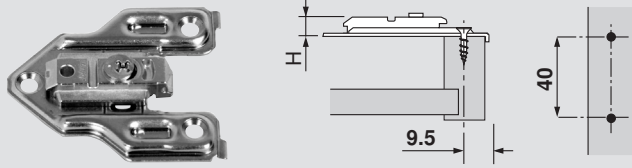
Part no.

0 plate height (H)	177H3100E
3 plate height (H)	177H3130E

*Add additional wood screw if used with wide angled hinges

Face frame adapter plates

Cam adjustable center mount



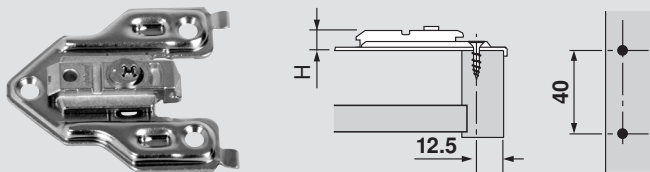
- Steel, zinc die-cast and nickel-plated
- Attached with #7 x 3/4" wood screws
- Center mount 9.5 (3/8")
- Cam height adjustment ±2 mm
- 175H6000 not for use with INSERTA hinges

Part no.

0 plate height (H)	175H6000
3 plate height (H)	175H6030
4.5 plate height (H)	175H6040
6 plate height (H)	175H6060

NOTE: CLIP top BLUMOTION and CLIP top 110° INSERTA hinges can be used with this plate

Cam adjustable off-center mount

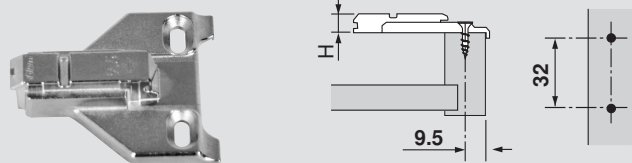


- Steel, zinc die-cast and nickel-plated
- Attached with #7 x 3/4" wood screws
- For use with INSERTA hinge cups
- Off-center mount 12.5 (1/2")
- Cam height adjustment ±2 mm

Part no.

0 plate height (H)	175H6600
--------------------	----------

Center mount

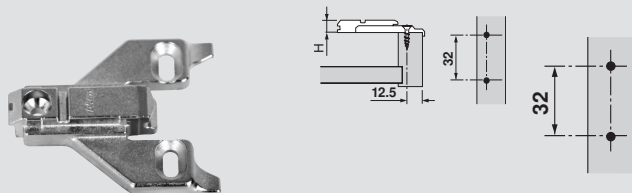


- Zinc die-cast, nickel-plated
- Attached with #7 x 3/4" wood screws
- Center mount 9.5 (3/8")
- Height adjustment ±2 mm

Part no.

3 plate height (H)	175L6030.21
--------------------	-------------

Off-center mount

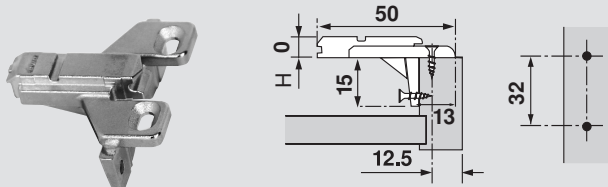


- Zinc die-cast, nickel-plated
- Attached with #7 x 3/4" wood screws
- Off-center mount 12.5 (1/2")
- Height adjustment ±2 mm

Part no.

0 plate height (H)	175L6600.22
3 plate height (H)	175L6630.22
6 plate height (H)	175L6660.22

With flange



- Recommended when using 170° and zero protrusion hinges on face frame cabinets
- Zinc die-cast, nickel-plated
- Attached with #7 x 3/4" wood screws
- Off-center mount 12.5 (1/2")
- Height adjustment ±2 mm

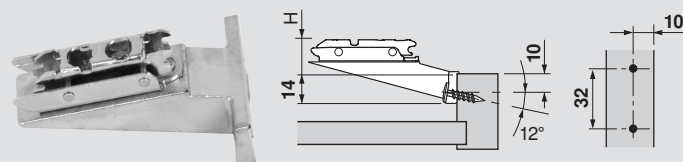
Part no.

0 plate height (H)	175L6600.24
--------------------	-------------

NOTE: Use of PLATEMATE required with all face frame adapter plates. Reference page 99

Inset face frame adapter

Truss head screw



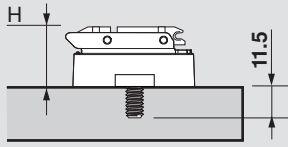
- Zinc die-cast, nickel-plated
- Attached with #8 x 3/4" truss head screws
- Can be used with applied bead molding
- Cam height adjustment ±2 mm
- Use with half-cranked hinges only
- Wide angle hinges not recommended
- Use of PLATEMATE required for installation

Part no.

9 plate height (H)	175H5030.21
--------------------	-------------

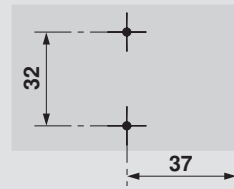
CLIP plates

Cam adjustable wing mounting plates

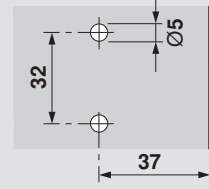


Boring pattern

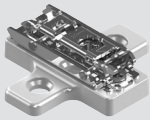
wood screw



system screw



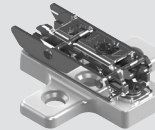
- New mounting plate heights with cam height adjustment
- Steel, nickel-plated with zinc adapter
- Attached with #7 x 5/8" wood screws or Ø5 mm x 13 mm system screws
- Cam height adjustment ±2 mm



- For 1/4" recess on an inset or overlay application
- Physical height: 14 mm (9/16")

Part no.

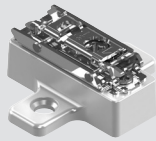
6 plate height (H) **173H9100.04**



- For 3/8" recess on an inset or overlay application
- Physical height: 17 mm (11/16")

Part no.

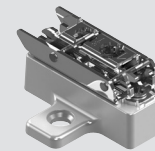
9 plate height (H) **173H9130.06**



- For 1/2" recess on an inset application
- Physical height: 21 mm (13/16")

Part no.

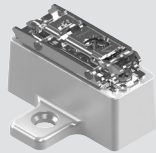
13 plate height (H) **173H9100.08**



- For 5/8" recess on an inset application
- Physical height: 24 mm (15/16")

Part no.

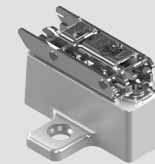
16 plate height (H) **173H9130.10**



- For 3/4" recess on an inset application
- Physical height: 27 mm (1-1/16")

Part no.

19 plate height (H) **173H9100.12**



- For 7/8" recess on an inset application
- Physical height: 31 mm (1-1/4")

Part no.

22 plate height (H) **173H9130.14**



- For 1" recess on an inset application
- Physical height: 34 mm (1-5/16")

Part no.

25 plate height (H) **173H9100.16**



- For 1-1/8" recess on an inset application
- Physical height: 37 mm (1-7/16")

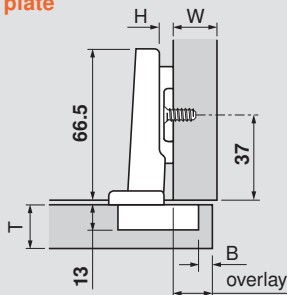
Part no.

29 plate height (H) **173H9130.18**

Frameless Applications

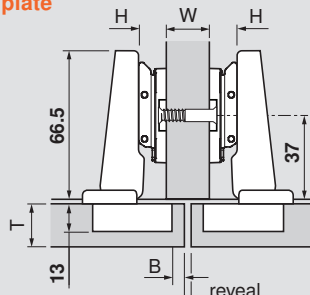
Overlay

0 mm plate



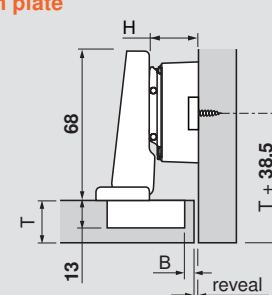
Partial/twin overlay

9 mm plate



Inset

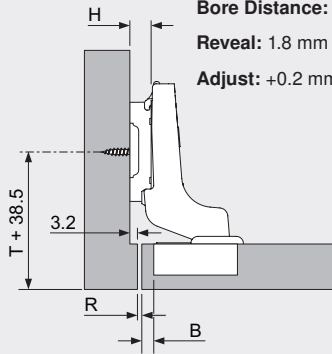
19 mm plate



NOTE: With our new CLIP wing mounting plate program, all three of the common frameless applications, (full overlay, half overlay and inset) can be achieved with a straight-arm hinge and cam height adjustment. An alternative inset application, includes the use of a half-cranked hinge and 9 mm cam height adjustment mounting plate.

1/8" Recess

Hinge: full-cranked
Plate Height: 3 mm
Bore Distance: 5 mm
Reveal: 1.8 mm
Adjust: +0.2 mm

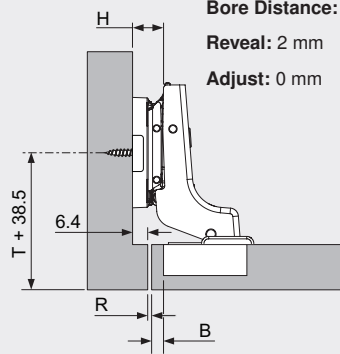


Hinge Mounting plate

71B37X0 173H9130

1/4" Recess

Hinge: full-cranked
Plate Height: 6 mm
Bore Distance: 5 mm
Reveal: 2 mm
Adjust: 0 mm

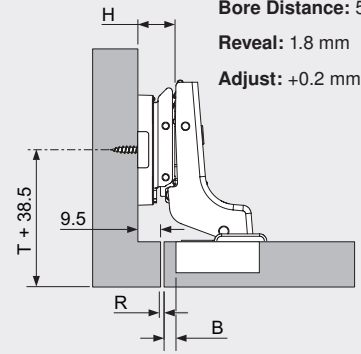


Hinge Mounting plate

71B37X0 173H9100.04

3/8" Recess

Hinge: full-cranked
Plate Height: 9 mm
Bore Distance: 5 mm
Reveal: 1.8 mm
Adjust: +0.2 mm

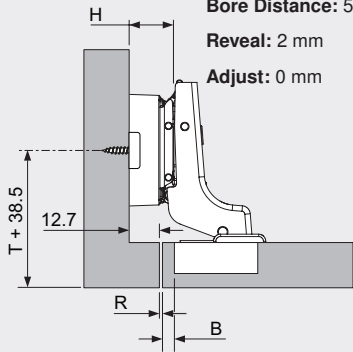


Hinge Mounting plate

71B37X0 173H9130.06

1/2" Recess

Hinge: full-cranked
Plate Height: 13 mm
Bore Distance: 5 mm
Reveal: 2 mm
Adjust: 0 mm

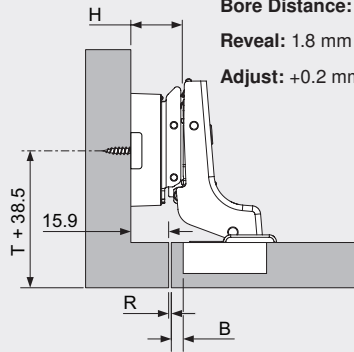


Hinge Mounting plate

71B37X0 173H9100.08

5/8" Recess

Hinge: full-cranked
Plate Height: 16 mm
Bore Distance: 5 mm
Reveal: 1.8 mm
Adjust: +0.2 mm

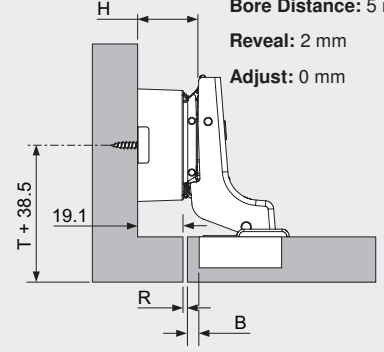


Hinge Mounting plate

71B37X0 173H9130.10

3/4" Recess

Hinge: full-cranked
Plate Height: 19 mm
Bore Distance: 5 mm
Reveal: 2 mm
Adjust: 0 mm

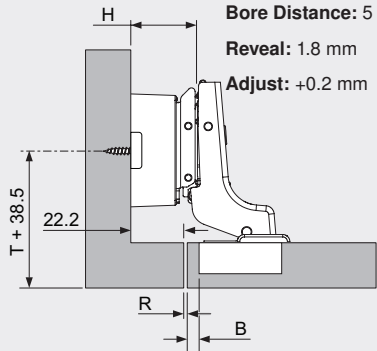


Hinge Mounting plate

71B37X0 173H9100.12

7/8" Recess

Hinge: full-cranked
Plate Height: 22 mm
Bore Distance: 5 mm
Reveal: 1.8 mm
Adjust: +0.2 mm

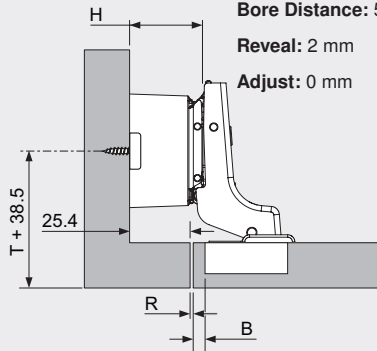


Hinge Mounting plate

71B37X0 173H9130.14

1" Recess

Hinge: full-cranked
Plate Height: 25 mm
Bore Distance: 5 mm
Reveal: 2 mm
Adjust: 0 mm

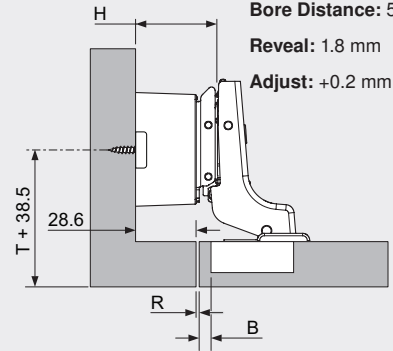


Hinge Mounting plate

71B37X0 173H9100.16

1-1/8" Recess

Hinge: full-cranked
Plate Height: 29 mm
Bore Distance: 5 mm
Reveal: 1.8 mm
Adjust: +0.2 mm



Hinge Mounting plate

71B37X0 173H9130.18

NOTE: B = Bore Distance | H = Plate Height | R = Reveal | T = Door Thickness



							
	Standard hinge	Standard hinge	Standard hinge	Standard hinge	Standard hinge	Standard hinge	Thick door hinge
Overlay		Straight-arm hinge, 0 plate	Straight-arm hinge, 0 plate	Straight-arm hinge, 0 plate	Straight-arm hinge, 0 plate	Straight-arm hinge, 0 plate	Straight-arm hinge, 0 plate
		973A0500.01	973A0500.01	973A0500.01	973A0500.01	973A0500.01	973A6000
		971Axxxx	971Axxxx	971Axxxx	971Axxxx	971Axxxx	971Axxxx
		970A1002	970A1002	970A1002	970A1002	970A1002	970A1002
Partial/twin overlay		Straight-arm hinge, 9 plate	Straight-arm hinge, 9 plate	Straight-arm hinge, 9 plate	Straight-arm hinge, 9 plate	Straight-arm hinge, 9 plate	Straight-arm hinge, 9 plate
		973A0500.01	973A0500.01	973A0500.01	973A0500.01	973A0500.01	973A6000
		Half-cranked hinge, 0 plate		Half-cranked hinge, 0 plate		Half-cranked hinge, 0 plate	Half-cranked hinge, 0 plate
			973A0600		973A0600		973A0600
		970A1002	970A1002	970A1002	970A1002	970A1002	970A1002
Inset		Straight-arm hinge, 18 plate	Straight-arm hinge, 18 plate	Straight-arm hinge, 18 plate	Straight-arm hinge, 18 plate	Straight-arm hinge, 18 plate	Straight-arm hinge, 18 plate
		973A0500.01	973A0500.01	973A0500.01	973A0500.01	973A0500.01	973A6000
		Half-cranked hinge, 9 plate		Half-cranked hinge, 9 plate		Half-cranked hinge, 9 plate	Half-cranked hinge, 9 plate
			973A0600		973A0600		973A0600
		Full-cranked hinge, 0 plate				Full-cranked hinge, 0 plate	
		973A0700				973A0700	
		970A1002	970A1002	970A1002	970A1002	970A1002	970A1002

 155°/125°	 100°	 120°	 95°	 95°	 95°	 95°/110°
Zero protrusion hinges	Standard hinge	Aluminum door hinge	Glass door hinge	Mini hinge	Blind corner hinge – overlay and inset	Angled hinges: +30 II, +45 I, +45 II
Straight-arm hinge, 0 plate	Straight-arm hinge, 0 plate	Straight-arm hinge, 0 plate				
	973A0500.01	973A0500.01				
971Axxxx	971Axxxx		971Axxxx	971Axxxx		
970A1002	970A1002	970A1002	970A1002	970A1002	970A1002	970A1002
Straight-arm hinge, 9 plate	Straight-arm hinge, 9 plate	Straight-arm hinge, 9 plate				
	973A0500.01	973A0500.01				
	Half-cranked hinge, 0 plate					
	973A0600					
970A1002	970A1002	970A1002	970A1002	970A1002	970A1002	970A1002
Straight-arm hinge, 18 plate	Straight-arm hinge, 18 plate	Straight-arm hinge, 18 plate				
	973A0500.01	973A0500.01				
	Half-cranked hinge, 9 plate					
	973A0600					
	Full-cranked hinge, 0 plate					
	973A0700					
970A1002	970A1002	970A1002	970A1002	970A1002	970A1002	970A1002

BLUMOTION
for doors

Hinges

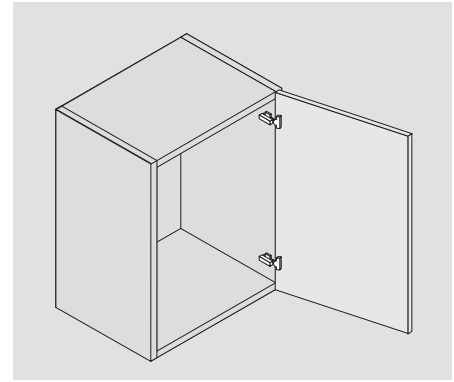


BLUMOTION 973A for CLIP Hinges

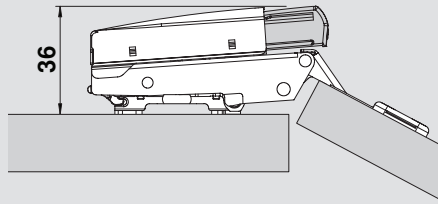


Features

- Soft-closing feature for CLIP top and CLIP hinges
- Offers the same quality of motion as drawer systems with BLUMOTION
- Automatically adjusts to the closing force of the door
- Simple attachment to the hinge arm
- Designed for use with Blum CLIP hinges only
- Nickel-plated steel and gray nylon



For straight-arm hinges



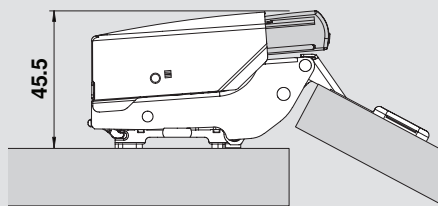
- CLIP top 107°
- CLIP top 110°
- CLIP top 110°+
- CLIP top 120°
- CLIP top 120°+
- CLIP top 95° thick door
- CLIP top 120° aluminum door
- CLIP 100°

Part no.

Straight-arm

973A0500.01

For half-cranked arm hinges



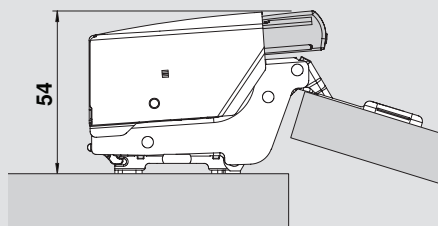
- CLIP top 110°
- CLIP top 120°
- CLIP top 95° thick door
- CLIP 100°

Part no.

Half-cranked arm

973A0600

For full-cranked arm hinges



- CLIP top 110°
- CLIP top 95° thick door
- CLIP 100°

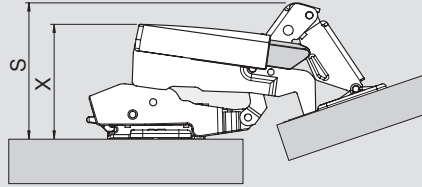
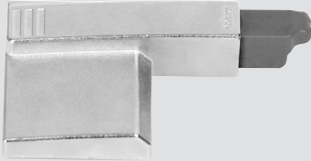
Part no.

Full-cranked arm

973A0700

Specifications

For 170° hinges



- CLIP top 170° – straight-arm
- CLIP top 170° – half-cranked

Hinge	X	S
CLIP top 170° straight-arm	49	65 max.
CLIP top 170° half-cranked	68	75 max.

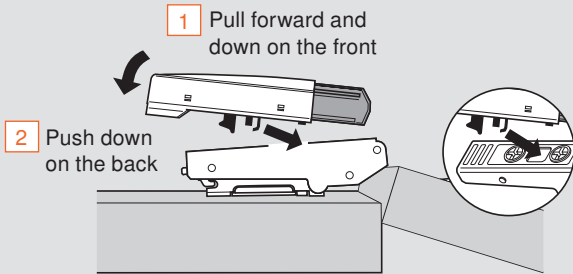
Part no.

NOTE: Additional clearance of 41 mm needed above and below for interior roll-out

973A6000

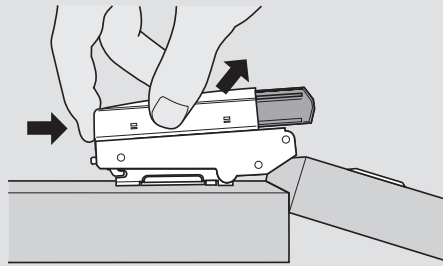
Attachment

Attach to the square hole in the hinge arm



Removal

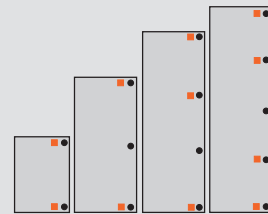
Pull forward and up simultaneously



BLUMOTION per door

- BLUMOTION 973A is designed for one BLUMOTION per self closing hinge, however, quantities may vary depending on door size and weight
- Small or light doors may only require one BLUMOTION
- Trial application recommended

■ BLUMOTION 973A
● Hinges



Hinges

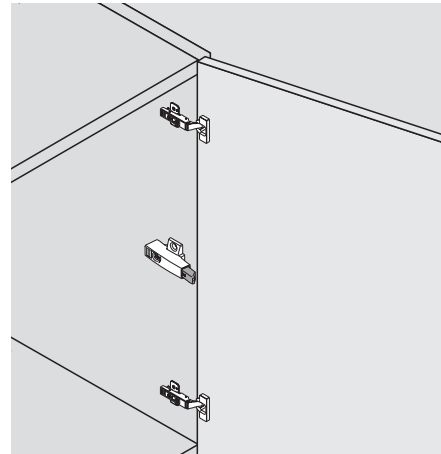


BLUMOTION 971A for CLIP Hinges

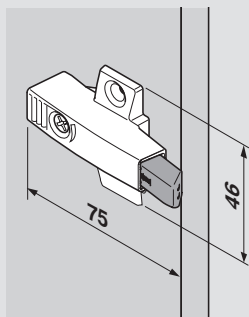
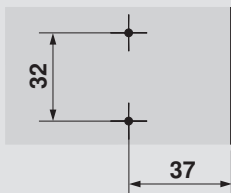
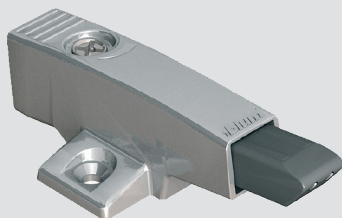


Features

- Soft-closing feature for CLIP top and CLIP straight-arm hinges
- Offers the same quality of motion as drawer systems with BLUMOTION
- Adjustable to various door sizes and weights (+3/-7 mm range)
- Installed onto hinge-side panel
- For use with straight-arm hinge and either 0 mm or 3 mm mounting plate only
- Nickel-plated steel and gray nylon



Wing plate (screw-on)

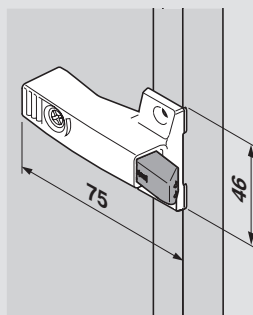
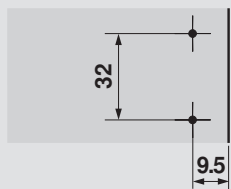
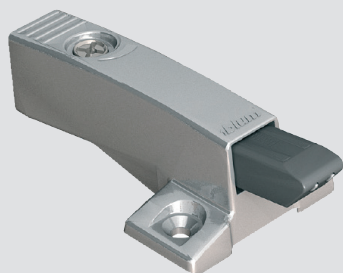


- 37 mm setback, 32 mm apart
- Attach with #6 x 5/8" wood screws
- Nickel-plated steel and gray nylon

Part no.

0 mm	971A0500
Installation screw	606N or 606P

Face frame adapter plate (screw-on)



- 9.5 mm setback, 32 mm apart
- Attach with #6 x 5/8" wood screws
- Nickel-plated steel and gray nylon

Part no.

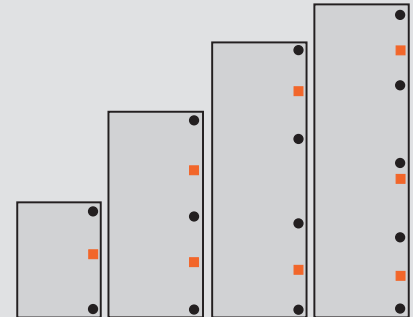
0 mm	971A0700
Installation screw	606N or 606P

Specifications

BLUMOTION per door

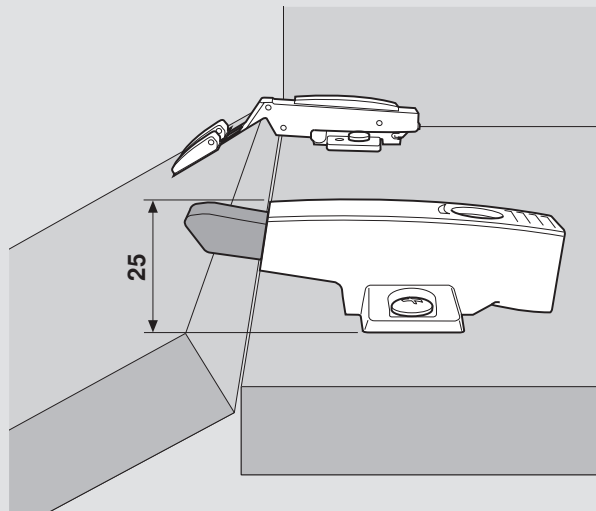
- For optimum BLUMOTION effect, BLUMOTION 971A should be installed onto the hinge-side panel centered between the two hinges
- Tall or heavy doors may require an additional BLUMOTION 971A between the hinges
- Trial application recommended

- BLUMOTION 971A
- Hinges



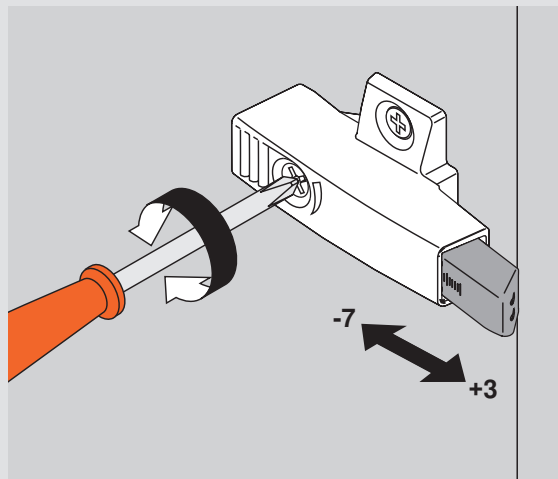
0 mm BLUMOTION application

- For all hinges with a straight-arm and a 0 mm mounting plate



Adjustment

- Use a Phillips or POZI screwdriver to adjust the contact point in or out (+3/-7 mm)
- Adjust out for larger, heavier doors or adjust in for smaller, lighter doors



Hinges

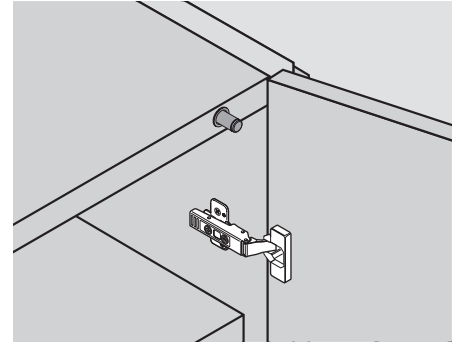


BLUMOTION 970A for CLIP Hinges



Features

- Soft-closing feature for CLIP top and CLIP hinges
- Offers the same quality of motion as drawer systems with BLUMOTION
- Automatically adjusts to the closing force of the door
- Installed into the top and/or bottom panel or with adapter plates on hinge-side
- Gray nylon



BLUMOTION 970A



Part no.

BLUMOTION 970A

970A1002

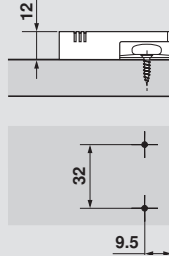
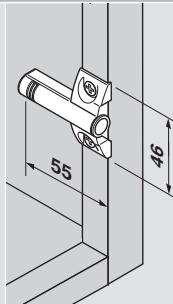
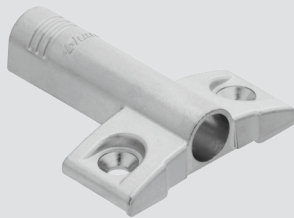
BLUMOTION per door

- BLUMOTION 970A is designed for two BLUMOTION per door, however, one may be enough depending on door size and weight
- Small or light doors may only require one BLUMOTION
- Trial application recommended

- BLUMOTION 970A
- Hinges



Face frame adapter (screw-on)

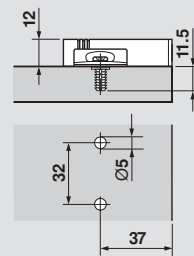
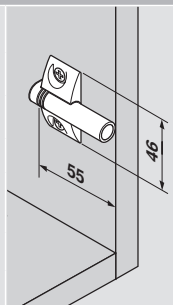
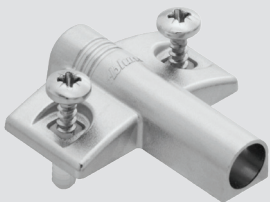


- 9.5 mm setback, 32 mm apart
- Can also be used in panel cabinets
- Attach with #6 x 5/8" wood screws
- Steel, nickel-plated

Part no.

Screw-on	970.5701
Installation screw	606N or 606P

Wing adapter (EXPANDO)

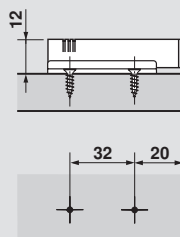
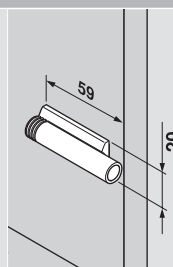


- 37 mm setback, 32 mm apart
- EXPANDO version installs with pre-attached screws
- Steel, nickel-plated

Part no.

EXPANDO	970.55E1
---------	-----------------

In-line adapter (screw-on)



- 20 mm setback, 32 mm apart
- Two-piece design
- Attach with #6 x 5/8" wood screws
- Steel, nickel-plated and gray nylon

Part no.

Screw-on	970.5201
Installation screw	606N or 606P

BLUMOTION 970A

The charts below provide the boring distance based on the application and mounting plate height

Standard applications	For angled applications
boring distance (X) in mm 3 mm 35 mounting plate height	boring distance (X) in mm 35 48 application, refer to pages 45 to 52 35 20°

Standard Application

	Overlay boring distance	Twin boring distance	Inset boring distance	Inset with straight-arm boring distance
Mounting plate height	0 mm	32	0 mm	41
	3 mm	35	3 mm	44
	6 mm	38	6 mm	47
	9 mm	41	9 mm	50

Blind Corner Applications

	Inset blind corner boring distance	Overlay blind corner boring distance
Mounting plate height	0 mm	32
	3 mm	35
	6 mm	38

Angled Applications (reference angle applications page (49 to 56))

	Max. overlay boring distance	Partial overlay boring dist.	Corner merge boring distance	Inset boring distance	Mitered corner boring distance					
5°	1	33	10	33	19	48	27	48	36	45
10°	2	33	11	33	20	48	28	48	37	45
15°	3	33	12	33	21	48	29	48	38	45
20°	4	33	13	37	22	48	30	48	39	45
25°	5	33	14	37	23	48	31	48	40	45
30°	6	33	15	41	24	48	32	48	41	45
35°	7	33	16	41	25	48	33	48		
40°	8	33	17	41			34	48		
45°	9	33	18	41	26	48	35	48		
-5°	42	37					51	48		
-10°	43	33					52	54		
-15°	44	33					53	54		
-20°	45	37					54	54		
-25°	46	33					55	54		
-30°	47	33								
-35°	48	37								
-40°	49	37								
-45°	50	37					56	54		



Mounting

The TIP-ON unit can be either bored into the cabinet end panel or attached to the cabinet interior using adapter plates.



Catch plate

The catch plate is the counterpart to TIP-ON. It is available in self-adhesive or screw-on versions.



Hinges

Free swing hinges are used with TIP-ON for doors with magnet/self close hinges are used with TIP-ON for doors with bumper.

TIP-ON for doors Opening Comfort for Doors Without Handles

Doors can be opened easily with TIP-ON – a light touch is all that's needed

- Designed for frameless or face frame (blocked out) cabinet applications
- Works with CLIP top BLUMOTION, CLIP top, CLIP, COMPACT BLUMOTION and COMPACT
- Can be bored into the side panel or used with an adapter plate
- Easy depth adjustment for proper door gap setting
- Works for both overlay and inset applications
- Quick and easy installation
- Increased design options
- Requires minimal force to open and close

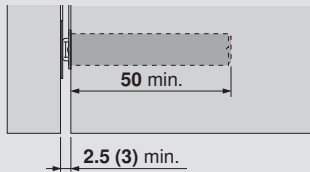
Tool-Free Door Gap Adjustment

The adjustment feature (+4/-1 mm) has been incorporated into the TIP-ON unit so even when TIP-ON is inserted into the cabinet, it has an integrated gap adjustment. To adjust gap, turn the ejector pin. The click-stop positions allow you to easily find the right setting.

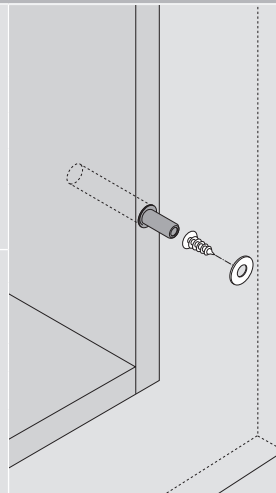
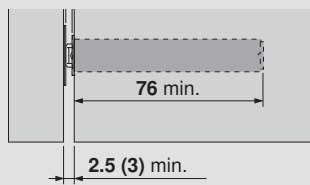


TIP-ON boring specifications

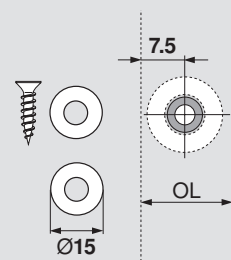
Standard TIP-ON set



Large TIP-ON set



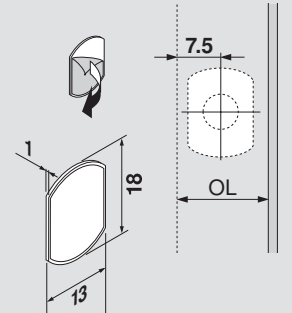
Catch plate (screw-on)



Pre-boring Ø2.5 mm counter-sunk pilot holes required

OL = Door overlay

Catch plate (self-adhesive)

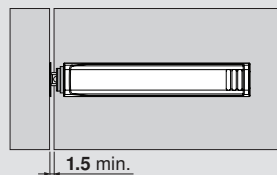


Cleaning of the door surface is recommended

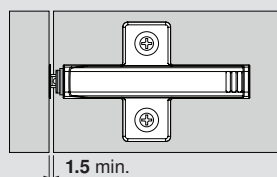
NOTE: Minimum gap of 3 mm with a screw-on catch plate and 2.5 mm with a self-adhesive catch plate

TIP-ON in-line and wing adapter plate specifications

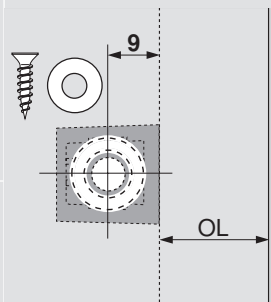
In-line adapter plate



Wing adapter plate

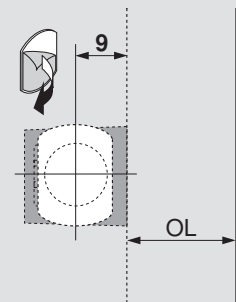


Catch plate (screw-on)



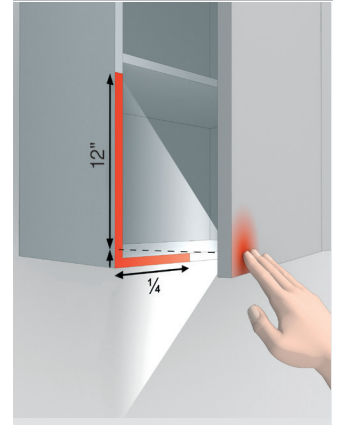
Pre-boring Ø2.5 mm counter-sunk pilot holes required
OL = Door overlay

Catch plate (self-adhesive)



Cleaning of the door surface is recommended

Installation position



Optimal opening support is achieved if the TIP-ON unit is attached exactly where the handle would be.

The fixing position can deviate ±12" in height and up to a quarter of the cabinet width in terms of width.

NOTE: Factory setting of door gap is 2 mm

NOTE: Minimum gap of 3 mm with a screw-on catch plate and 2.5 mm with a self-adhesive catch plate

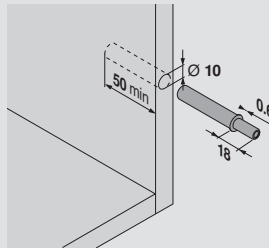
TIP-ON for doors

TIP-ON set for standard door

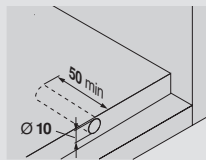


- White
- Gray
- Black

Overlay



Inset



- For use with Blum CLIP free swing hinges
- Nylon unit with magnet tip
- Adjustment range +4 mm to -1 mm
- For door heights less than 48"
- Works for overlay and inset applications
- Can be bored into the panel or used with an adapter plate

Set includes:

- TIP-ON unit
- Self-adhesive catch plate
- Screw-on catch plate
- Wood screw

Part no.

NOTE: Due to various door weights and sizes, trial application recommended

Standard door set

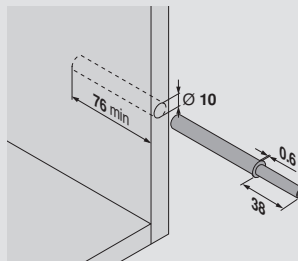
956.1004

TIP-ON set for large door

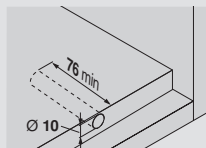


- White
- Gray
- Black

Overlay



Inset



- For use with Blum CLIP free swing hinges
- Nylon unit with magnet tip
- Adjustment range +4 mm to -1 mm
- For door heights greater than 48"
- Works for overlay and inset applications
- Can be bored into the panel or used with an adapter plate

Set includes:

- TIP-ON unit
- Self-adhesive catch plate
- Screw-on catch plate
- Wood screw

Part no.

NOTE: Due to various door weights and sizes, trial application recommended

Large door set

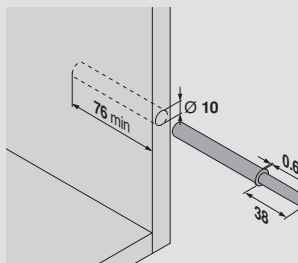
956A1004

TIP-ON unit for self/soft close hinges

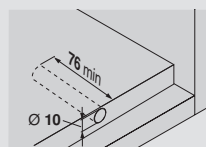


- White
- Gray
- Black

Overlay



Inset



- For use with Blum self/soft close hinges
- Nylon unit with bumper tip
- Adjustment range +4 mm to -1 mm
- For door widths greater than 10"
- Works for overlay and inset applications
- Can be bored into the panel or used with an adapter plate

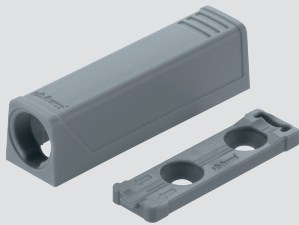
Part no.

NOTE: Due to various door weights and sizes, trial application recommended

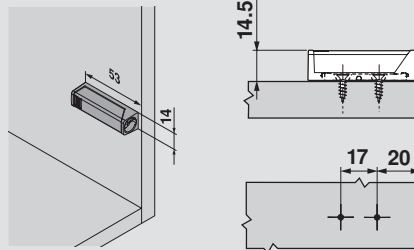
Self/soft close hinges

956A1006

TIP-ON in-line adapter plate for standard door



- White
- Gray
- Black
- Nickel



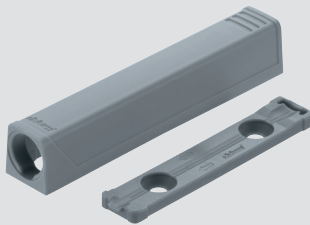
- In-line adapter plate for standard door
- Two-piece, screw-on base plate
- 20 mm setback, 17 mm apart
- Door gap factory setting 2 mm
- Nylon

Application	Setback
Overlay	20
Inset	22 + door thickness

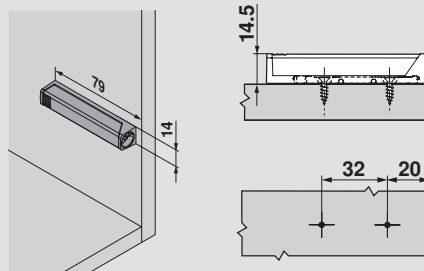
	Part no.
Screw-on in-line adapter	956.1201
Installation screw	606N or 606P

NOTE: For face frame applications, blocking out may be required

TIP-ON in-line adapter plate for large door



- White
- Gray
- Black
- Nickel



- In-line adapter plate for large door
- Two-piece, screw-on base plate
- 20 mm setback, 32 mm apart
- Door gap factory setting 2 mm
- Nylon

Application	Setback
Overlay	20
Inset	22 + door thickness

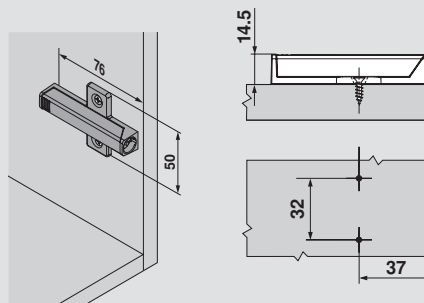
	Part no.
Screw-on in-line adapter	956A1201
Installation screw	606N or 606P

NOTE: For face frame applications, blocking out may be required

TIP-ON wing adapter plate for large door



- Gray



- Wing adapter plate for large door
- One-piece, screw-on wing plate
- 37 mm setback, 32 mm apart
- Door gap factory setting 2 mm
- Gray nylon

Application	Setback
Overlay	37
Inset	39 + door thickness

	Part no.
Screw-on wing adapter	956A1501
Installation screw	606N or 606P

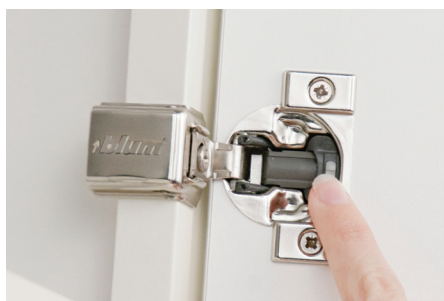
NOTE: For face frame applications, blocking out may be required

TIP-ON for doors

COMPACT BLUMOTION and COMPACT Hinges A complete face frame program

Blum's COMPACT hinges program has proven itself as the high quality solution for face frame cabinets for over 30 years and continue to provide the quality of motion you have come to expect from Blum hardware.

COMPACT BLUMOTION hinges have the soft closing mechanism integrated directly in the hinge cup. They are available for most overlay face frame applications or door styles.



Deactivation option

The BLUMOTION function can be easily deactivated on one of the hinges, allowing small or light doors to close with the same high quality of motion.



Interchangeability

COMPACT BLUMOTION hinges are interchangeable with current COMPACT hinges so there is no need to change existing setups or workflows.



Overload safety feature

This feature protects the hinge from damage if the door is slammed and maintains the BLUMOTION soft closing for the life of the hinge.

Hinges



COMPACT BLUMOTION and COMPACT Hinges Overview



COMPACT BLUMOTION 38N hinges for partial overlay

Partial overlay hinges with a 105° opening angle and 7/16" cup depth



COMPACT BLUMOTION 39C/38C hinges for full overlay

39C: Full overlay hinges with a 110° opening angle and 1/2" cup depth

38C: Full overlay hinges with a 107° opening angle and 7/16" cup depth



COMPACT BLUMOTION 38B face mount hinges for full overlay

Full overlay face mount hinges with a 107° opening angle and 7/16" cup depth



COMPACT 38N hinges for partial overlay

Partial overlay hinges with a 105° opening angle and 7/16" cup depth



COMPACT 39C/38C hinges for full overlay

39C: Full overlay hinges with a 110° opening angle and 1/2" cup depth

38C: Full overlay hinges with a 107° opening angle and 7/16" cup depth



COMPACT 33 hinges for partial and full overlay

Economical two-piece assembly hinges with a 110° opening angle and 1/2" cup depth

Conditions for Tests

Blum, Inc. does a great deal of testing to ensure that the quality of our hardware is consistent with the usual high standards that our customers have come to expect from Blum. For this reason we have rigorous testing procedures which are carried out from the development stage through production. Blum's internal testing standards are based on practical applications of our products and are more stringent than what is required by ANSI/BHMA.

NOTE: All Blum hinges meet or exceed ANSI/BHMA A156.9 Grade 2 requirements. All concealed hinges are designed for indoor use.

ISO 9001

Blum, Inc. is ISO 9001 certified which means that you are assured of consistent quality in every Blum product.

ANSI/BHMA

All Blum runners meet or exceed ANSI/BHMA A156.9 Grade 1 requirements. Contact your local Blum representative for more details.



Cycle test	
Specifications	<ul style="list-style-type: none"> Door size – 23-5/8" height, 23-5/8" width, 3/4" thickness Door weight –14.3 lb for cycle tests Door weight – 18.5 lb for load and over push tests Boring distance – 3 mm
Distance between hinges	<ul style="list-style-type: none"> 16-15/16"
Hinge and mounting plate attachment	<ul style="list-style-type: none"> Hinges are mounted to test blocks and attached to test door and stand with clamps Test blocks for door: Particle board Test blocks for mounting plate: Particle board

Cycle test

	<p>Without load</p> <ul style="list-style-type: none"> 100,000 opening and closing for all COMPACT 		<p>With load</p> <ul style="list-style-type: none"> 11 lb extra weight is applied for 100,000 opening and closing cycles 	
	Positive test result		Positive test result	

Load test

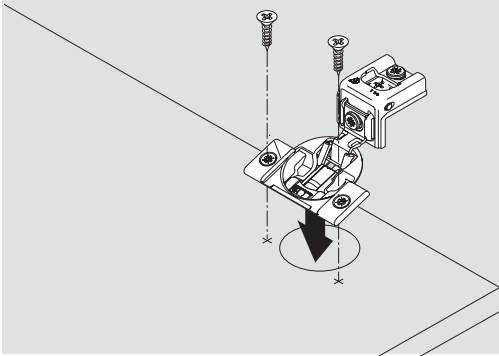
	<p>Static load</p> <ul style="list-style-type: none"> 67 lb applied ten times for five seconds, each at 45° opening angle 		<p>Dynamic load</p> <ul style="list-style-type: none"> 44 lb extra weight applied for fifty opening and closing cycles 	
	Positive test result		Positive test result	

Over push test

	<p>Without load</p> <ul style="list-style-type: none"> COMPACT hinges – Increasing forces up to 11 lb applied for a total of forty times for five seconds each 	
	Positive test result	

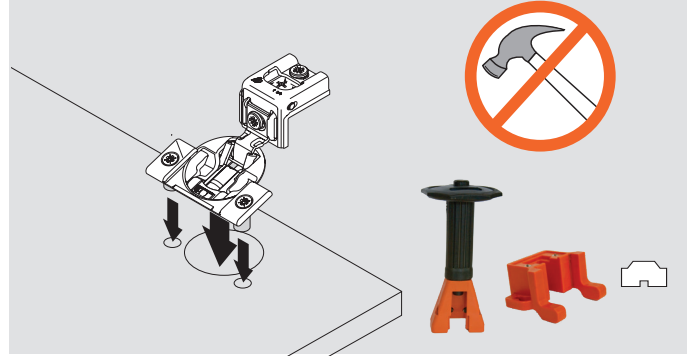
Screw-on

Use #6 wood screws



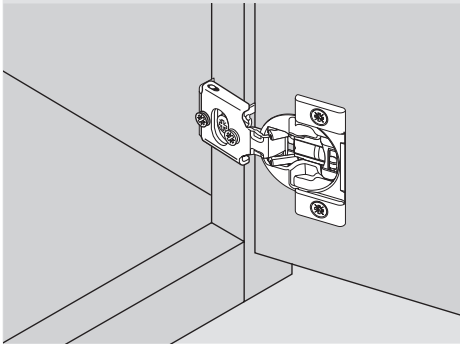
Press-in

Pre-attached Ø8 dowels installed with Blum knock-in tool or MINIPRESS with COMPACT insertion ram

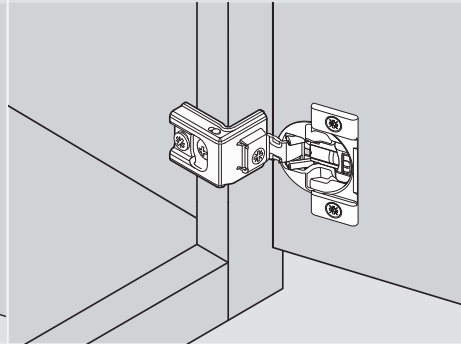


Mounting plate attachment

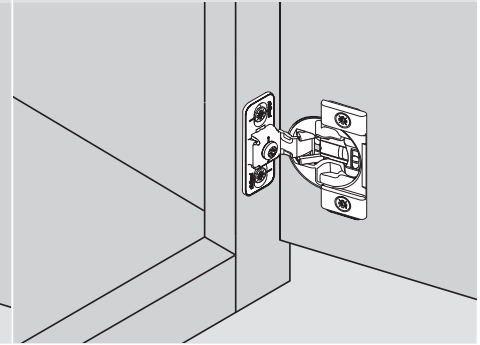
38N series – wraparound/edge mount



39C/38C series – wraparound



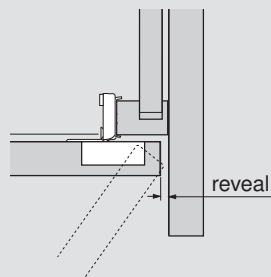
38B series – face mount



Minimum reveal

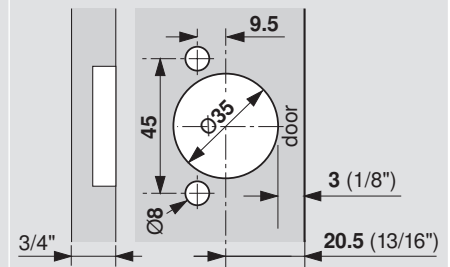
A minimum reveal per door is required to keep the door from binding and varies depending on door thickness.

See minimum reveal table for each hinge.



Hinge cup centerpoint

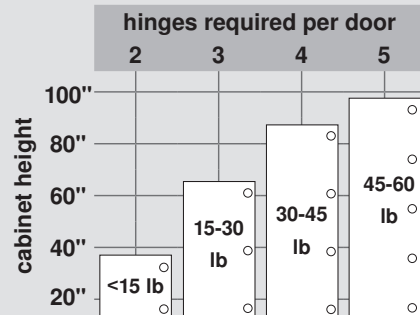
Hinge cup centerpoint and MINIPRESS/MINIDRILL setback position is 20.5 (13/16") for COMPACT BLUMOTION hinges



NOTE: Maximum door thickness 3/4"

Hinges per door

This chart can serve as a guide for determining the number of hinges per door. Note that door weight can also determine the number of hinges required.

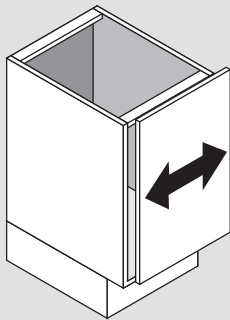
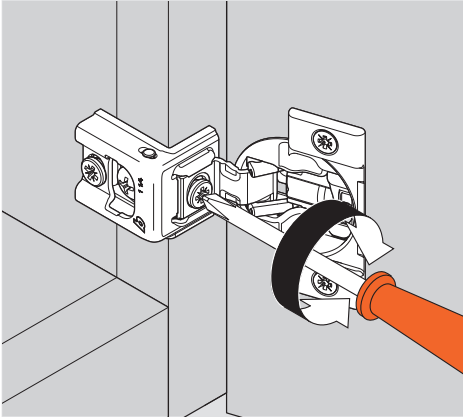


NOTE: The distance between the top and bottom hinges must be greater than the width of the door

Three-dimensional adjustment

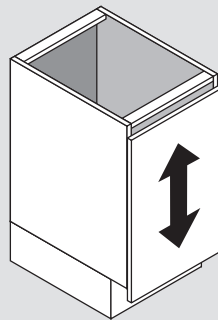
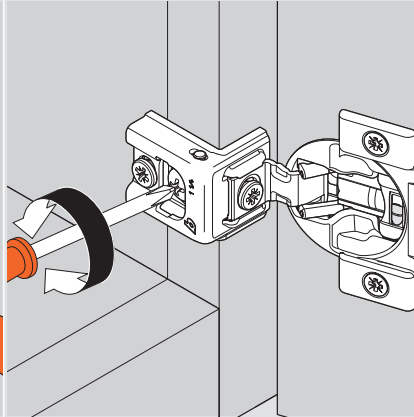
Side adjustment

Rotate the front cam screw to increase or decrease door overlay ($\pm 1/16"$)



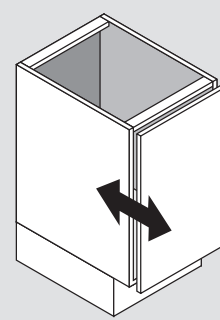
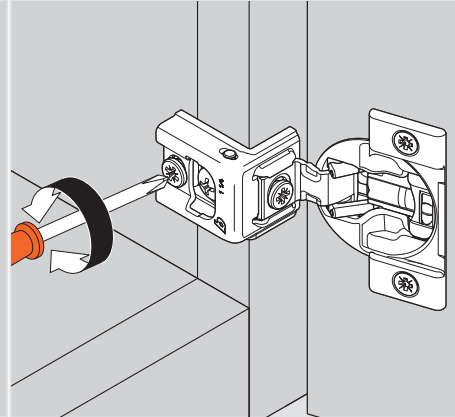
Height adjustment

Loosen installation screws to adjust door position ($\pm 1/8"$), then retighten



Depth adjustment

Rotate the rear cam screw to adjust door gap ($+ 3/32"$, $- 1/32"$)

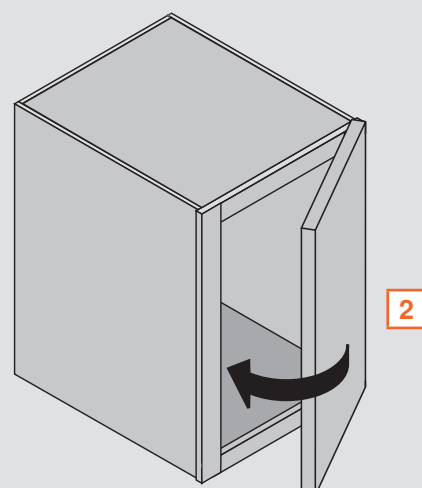
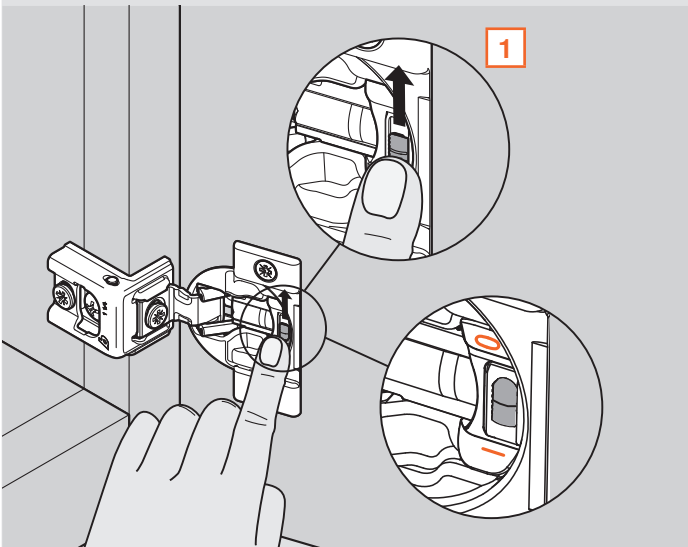


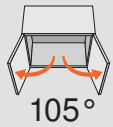
BLUMOTION Deactivation

Deactivation switch on the hinge cup

For small or light doors, the BLUMOTION can be deactivated on one of the hinges. COMPACT BLUMOTION comes in the activated position, marked with a "I". The deactivated position is marked with a "0".

Door must be closed once for the deactivation to be complete. To reactivate, move switch back to the original position "I".





COMPACT BLUMOTION 38N for Partial Overlay

Hinges

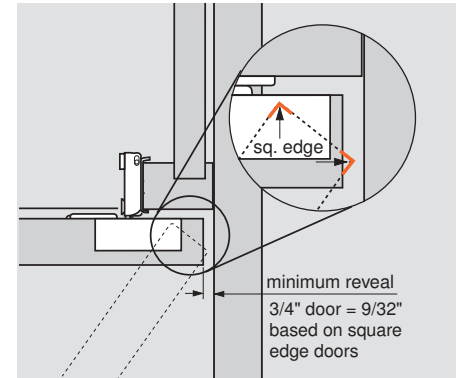


Features

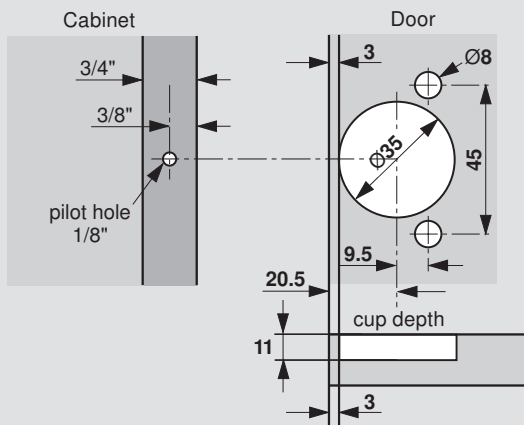
- BLUMOTION integrated into the hinge cup
- Deactivation switch for small/light doors
- Overload safety feature
- One-piece wraparound hinge
- 7/16" cup depth
- Edge mount available in 1/2" overlay



Minimum Reveal

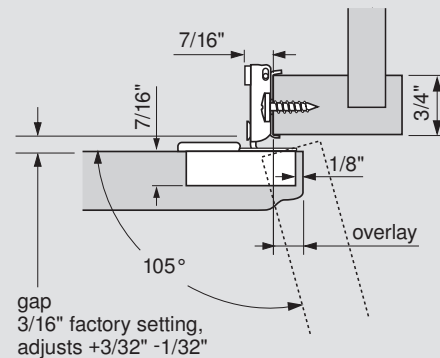


Boring pattern

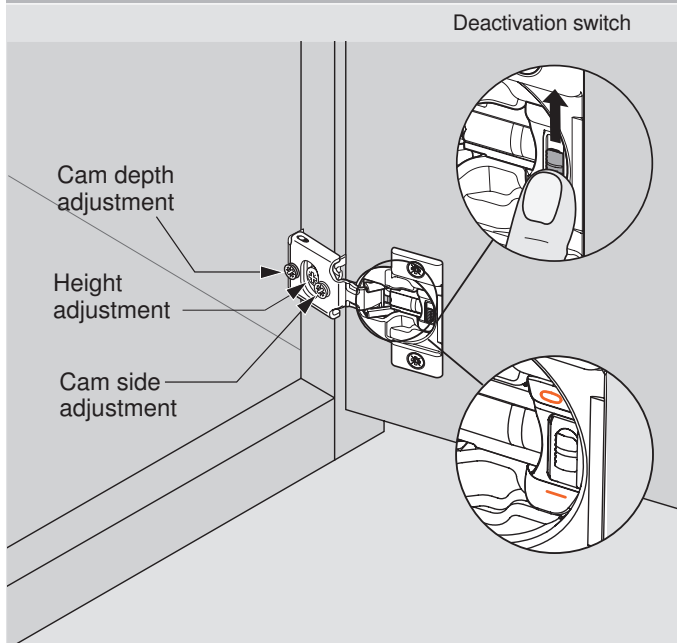


NOTE: Maximum door thickness 3/4"

Dimensions

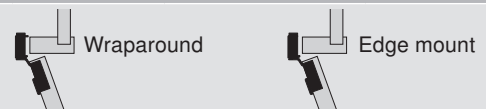


Adjustment



NOTE: COMPACT BLUMOTION comes in the activated position, marked with a "I" – the deactivated position is marked with a "0"

Wraparound and edge mount hinges



Overlay	Door protrusion	Screw-on	⁴⁷ Press-in
5/16"	5/16"		38N358B.05
3/8"	1/4"	38N355B.06	38N358B.06
1/2"	1/8"	38N355B.08	38N358B.08
*1/2"	1/8"	38N355BE08	38N358BE08
5/8"	0	38N355B.10	38N358B.10
3/4"	0	38N355B.12	38N358B.12

*Available as edge mount hinge

Installation screw

Truss head screw	834TH
------------------	-------

Accessories

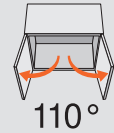
Angle restriction clip	38C315B3.1
Hinge cup spacer	38C355B9
*Blank cover cap	38N3508B

*See page 85 for additional cover cap options

Hinges



COMPACT BLUMOTION 39C for Full Overlay

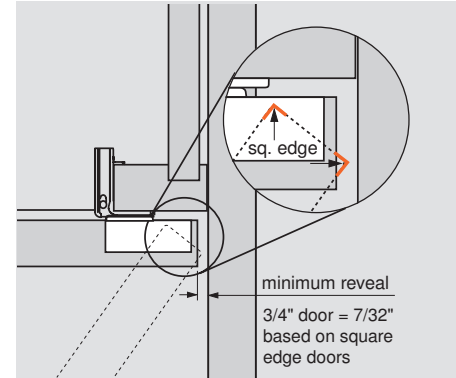


Features

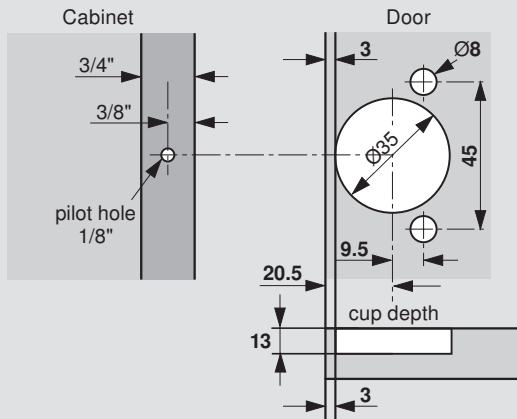
- BLUMOTION integrated into the hinge cup
- Deactivation switch for small/light doors
- Overload safety feature
- One-piece wraparound hinge
- 1/2" cup depth
- Less minimum reveal



Minimum Reveal

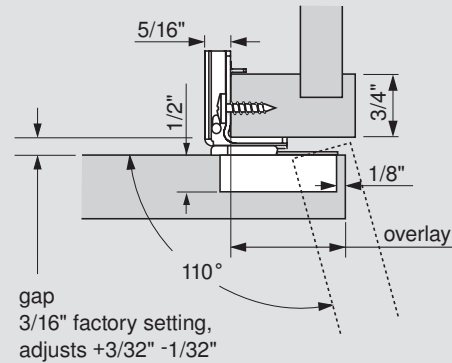


Boring pattern

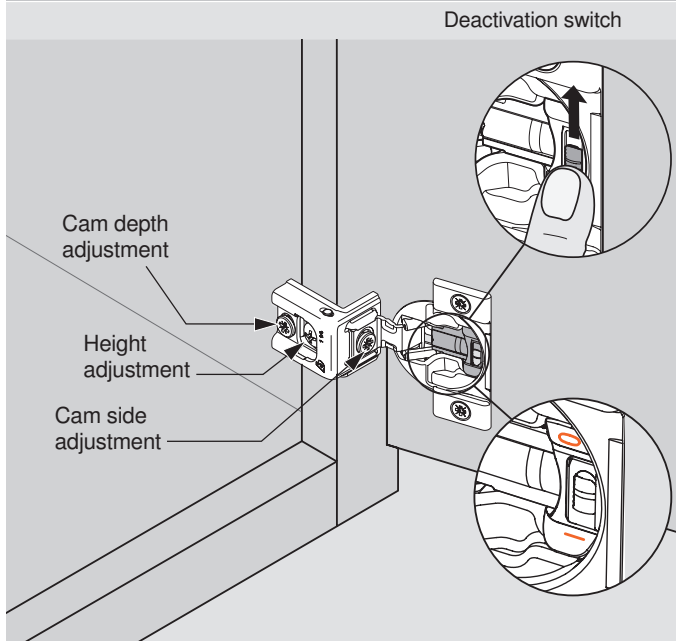


NOTE: Maximum door thickness 3/4"

Dimensions



Adjustments



NOTE: COMPACT BLUMOTION comes in the activated position, marked with an "I" – the deactivated position is marked with a "0"

Wraparound hinges



Overlay	Screw-on	⁴⁷ Press-in
1"	39C355B.16	39C358B.16
1-1/4"	39C355B.20	39C358B.20
1-5/16"	39C355B.21	39C358B.21
1-3/8"	39C355B.22	39C358B.22
1-1/2"	39C355B.24	39C358B.24
1-9/16"	39C355B.25	39C358B.25

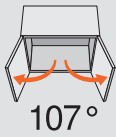
Installation screw

Truss head screw	834TH
------------------	-------

Accessories

Angle restriction clip	38C315B3.1
Hinge cup spacer	38C355B9
*Blank cover cap	38C3508

*See page 85 for additional cover cap options



COMPACT BLUMOTION 38C for Full Overlay

Hinges

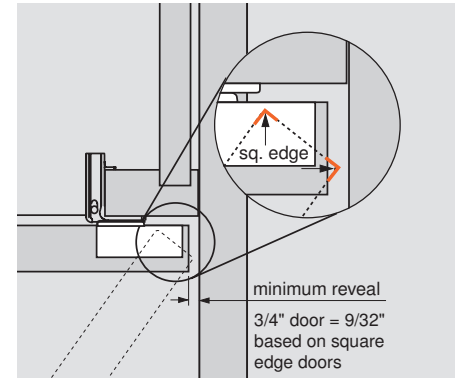


Features

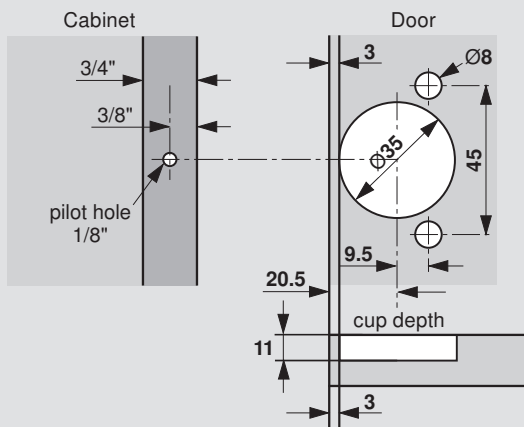
- BLUMOTION integrated into the hinge cup
- Deactivation switch for small/light doors
- Overload safety feature
- One-piece wraparound hinge
- 7/16" cup depth
- Ideal for profiled doors



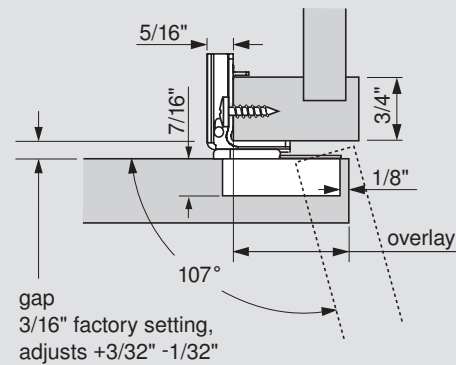
Minimum Reveal



Boring pattern

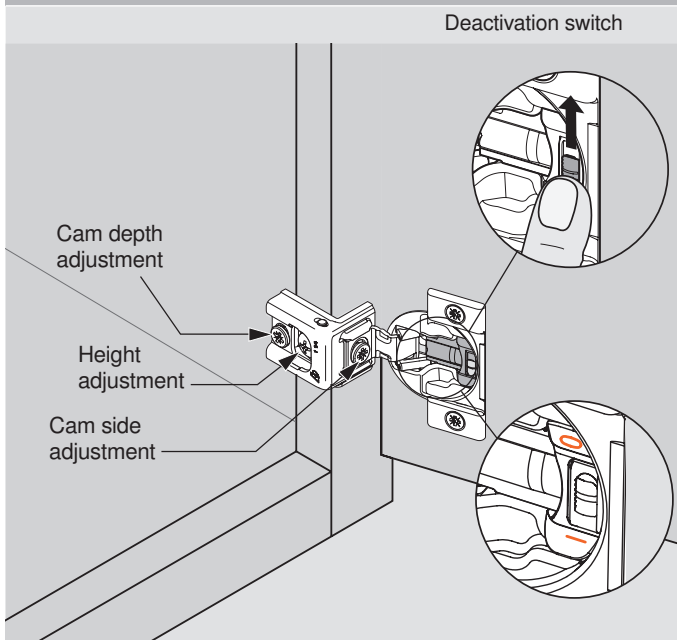


Dimensions



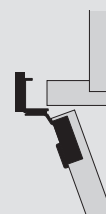
NOTE: Maximum door thickness 3/4"

Adjustments



NOTE: COMPACT BLUMOTION comes in the activated position, marked with an "I" – the deactivated position is marked with a "0"

Wraparound hinges



Overlay	Screw-on	47 Press-in
1-1/4"	38C355B.20	38C358B.20

Installation screw	
Truss head screw	834TH

Accessories	
Angle restriction clip	38C315B3.1
Hinge cup spacer	38C355B9
*Blank cover cap	38C3508

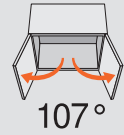
*See page 85 for additional cover cap options

COMPACT
BLUMOTION

Hinges



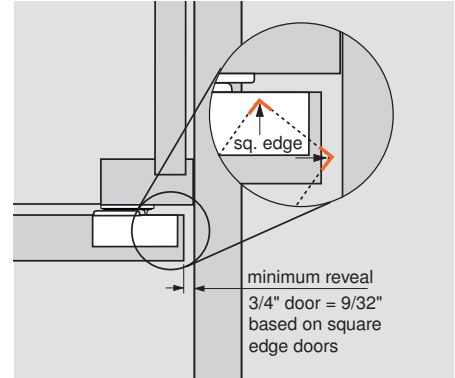
COMPACT BLUMOTION 38B for Face Mount



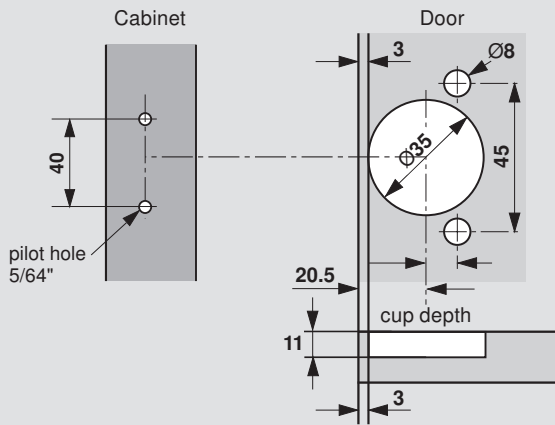
Features

- BLUMOTION integrated into the hinge cup
- Deactivation switch for small/light doors
- Overload safety feature
- One-piece face mount hinge
- 7/16" cup depth
- Ideal for large overlays or refacing of cabinets

Minimum Reveal

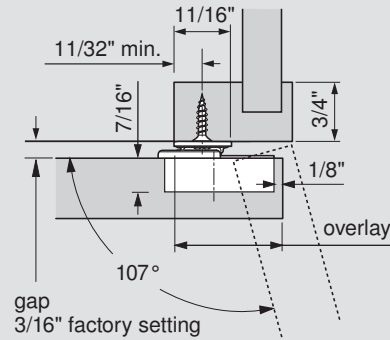


Boring pattern

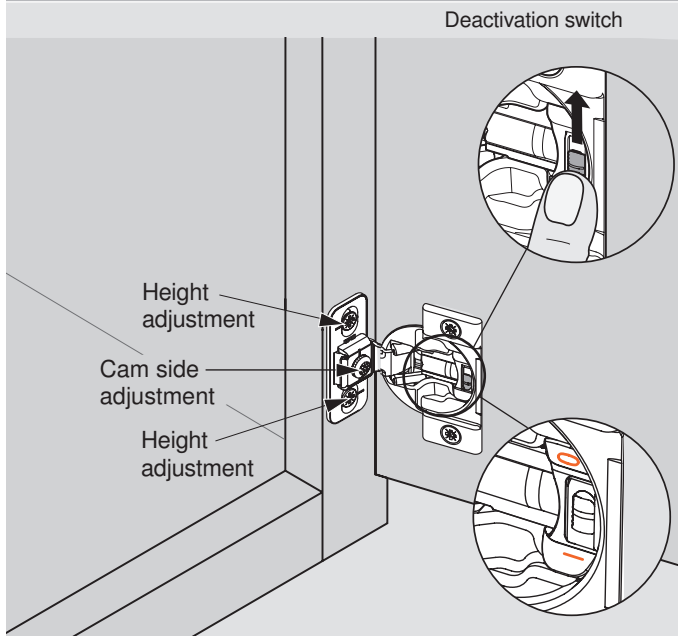


NOTE: Maximum door thickness 3/4"

Dimensions

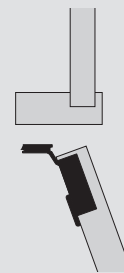


Adjustments



NOTE: COMPACT BLUMOTION comes in the activated position, marked with an "I" – the deactivated position is marked with a "0"

Face mount hinges



Overlay	Screw-on	47 Press-in
1-3/8" or greater	38B355BF22	38B358BF22

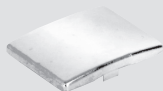
Installation screw
Flat head wood screw

606N or 606P

Accessories
Angle restriction clip
Hinge cup spacer

38C315B3.1
38C355B9

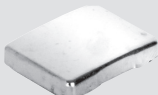
Hinge arm cover caps



39C/38C blank cover cap



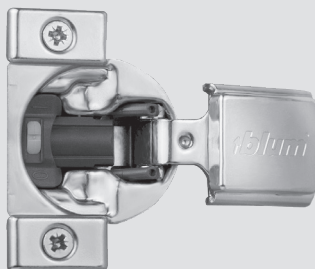
39C/38C Blum logo embossed cover cap



38N blank cover cap



38N Blum logo embossed cover cap



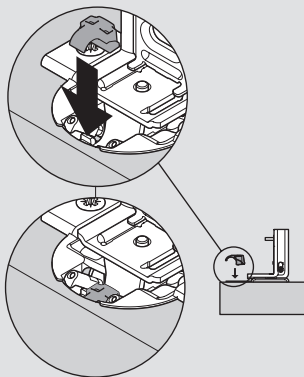
- Steel, nickel-plated cap
- Available blank or embossed (Blum logo)
- Also available with printed custom logo (minimum order quantity applies)

Part no.

39C/38C blank cover cap	38C3508
39C/38C Blum logo embossed cover cap	38C3508.BP
38N blank cover cap	38N3508B
38N Blum logo embossed cover cap	38N3508BBP

Angle restriction clip

- Restricts opening angle of the COMPACT BLUMOTION to 86°
- Angle restriction clip must be inserted before the hinge has been attached to the face frame
- Gray nylon

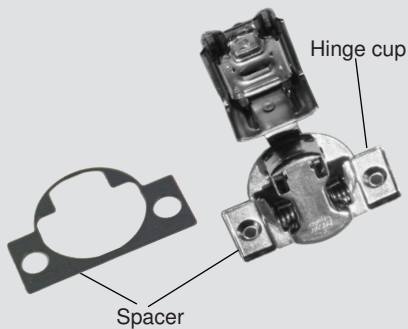


Part no.

Angle restriction clip **38C315B3.1**

Hinge cup spacer

- 1/16" spacer for use under the hinge cup for thin or profile doors
- Non-stackable
- Gray nylon

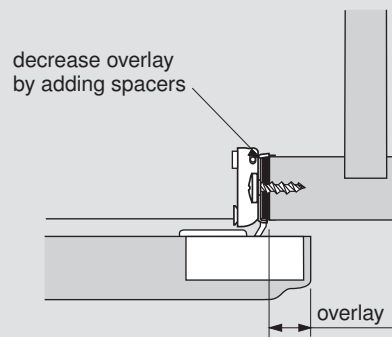
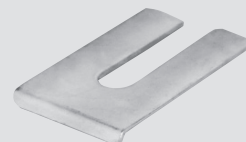


Part no.

Hinge cup spacer **38C355B9**

Distance spacer

- Steel spacer decreases door overlay in 1/32" increments
- Can be stacked to achieve desired overlay reduction
- Steel, zinc-coated

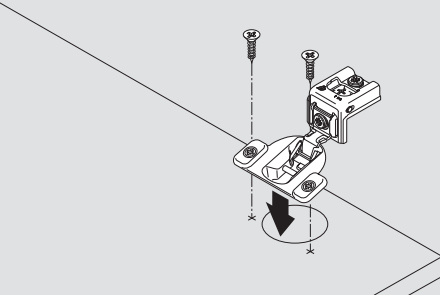


Part no.

Distance spacer **36.3515**

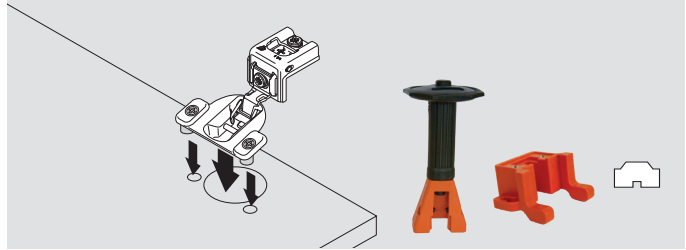
Screw-on hinge attachment

Use #6 wood screws



Press-in hinge attachment

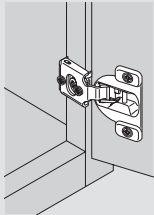
Pre-attached Ø8 dowels installed with Blum knock-in tool or MINIPRESS with COMPACT insertion ram.



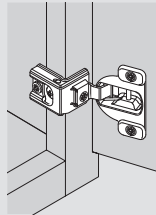
Mounting plate attachment

One-piece assembly

COMPACT 38N
wrap or edge

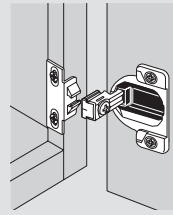


COMPACT 39C/38C
wraparound

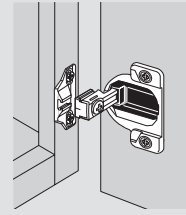


Two-piece assembly

COMPACT 33
edge mount

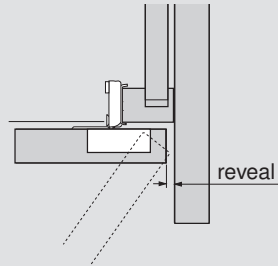


COMPACT 33
face mount



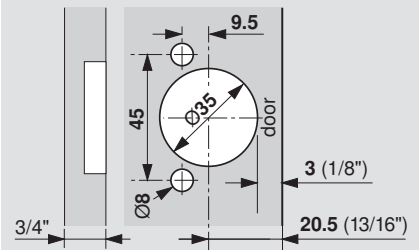
Minimum reveal

A minimum reveal per door is required to keep the door from binding and varies depending on door thickness (see minimum reveal table for each hinge).



Hinge cup centerpoint

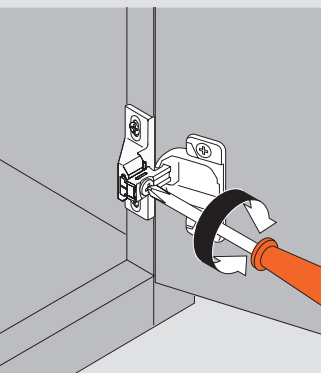
Cup centerpoint and MINIPRESS/MINIDRILL setback position is 20.5 (13/16") for COMPACT hinges.



NOTE: Maximum door thickness 3/4"

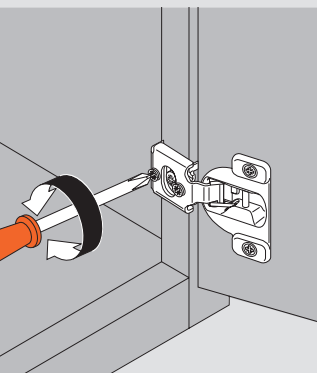
Three-way independent adjustment

Side adjustment



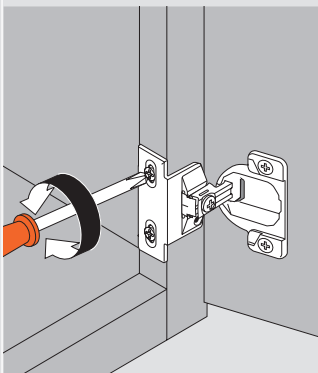
Side adjustment is possible on all COMPACT hinges. COMPACT 38N, 39C and 38C have cam side adjustment.

Depth adjustment

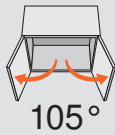


COMPACT 38N, 39C and 38C have cam depth adjustment

Height adjustment



All COMPACT hinges are independently height adjustable



COMPACT 38N for Partial Overlay

Hinges

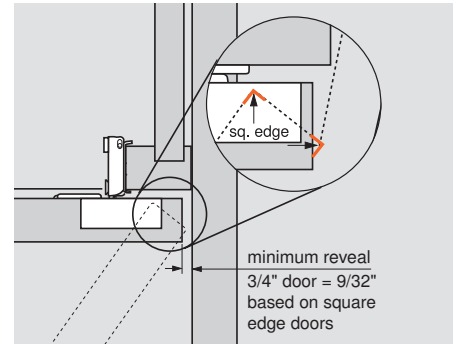


Features

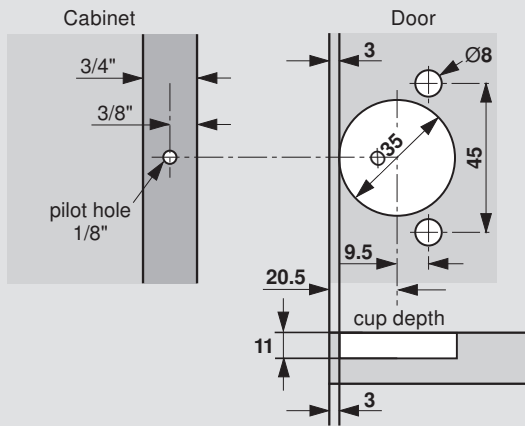
- 105° opening angle
- One piece assembly
- Wraparound or edge mount
- 7/16" cup depth
- ±1/8" height adjustment
- ±1/16" side adjustment
- +3/32", -1/32" cam depth adjustment
- Steel, nickel-plated
- Can be used with BLUMOTION 971A9700



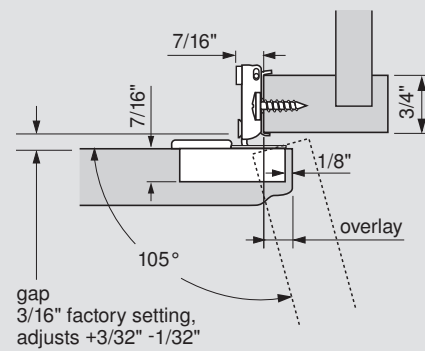
Minimum Reveal



Boring pattern

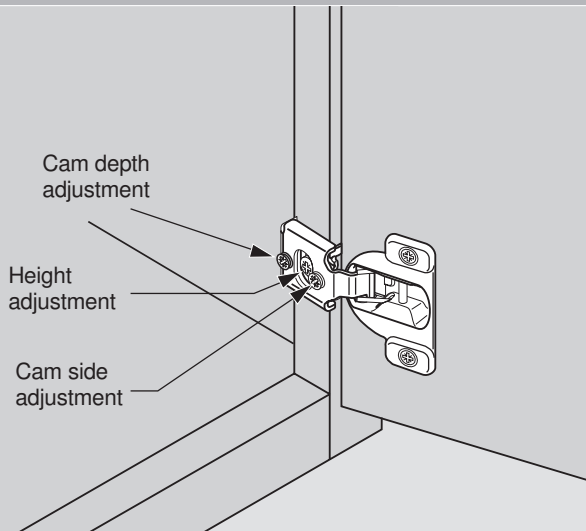


Dimensions



NOTE: Maximum door thickness 3/4"

Adjustments

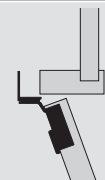


Wraparound hinges



Overlay	Screw-on	47 Press-in
3/8"	38N355C.06	38N358C.06
1/2"	38N355C.08	38N358C.08
5/8"	38N355C.10	38N358C.10
3/4"	38N355C.12	38N358C.12

Edge mount hinges



Overlay	Screw-on	47 Press-in
1/2"	38N355CE08	38N358CE08

Calculating door protrusion

Door overlay	Door protrusion
3/8"	1/4"
1/2"	1/8"
5/8"	0
3/4"	0

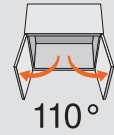
Installation screw

Truss head installation screw	834TH
-------------------------------	-------

Hinges



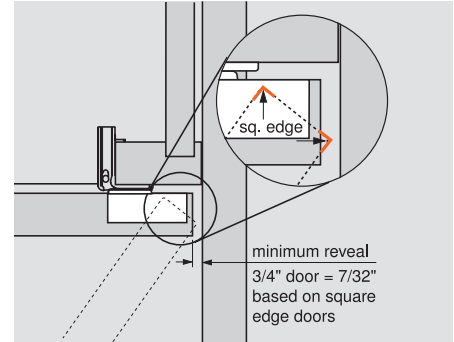
COMPACT 39C for Full Overlay



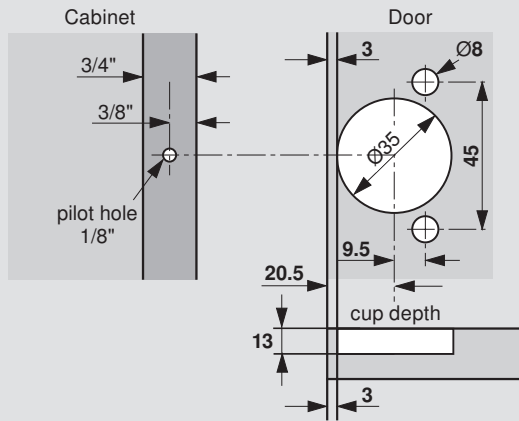
Features

- 110° opening angle
- One piece assembly
- Wraparound mount
- 1/2" cup depth
- ±1/8" height adjustment
- ±1/16" side adjustment
- +3/32", -1/32" cam depth adjustment
- Steel, nickel-plated
- Can be used with BLUMOTION 971A9700

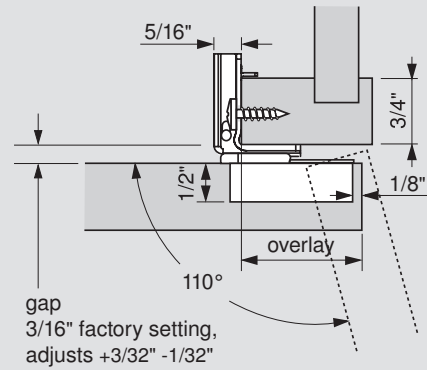
Minimum Reveal



Boring pattern

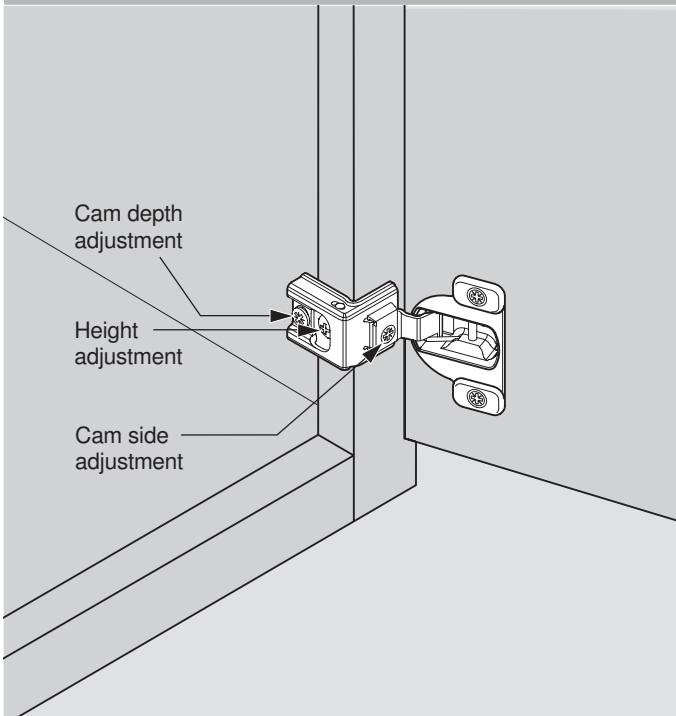


Dimensions




NOTE: Maximum door thickness 3/4"

Adjustments



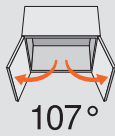
Wraparound hinges



Overlay	Screw-on	 Press-in
1"	39C355C.16	39C358C.16
1-1/4"	39C355C.20	39C358C.20
1-3/8"	39C355C.22	39C358C.22
1-1/2"	39C355C.24	39C358C.24
1-9/16"		39C358C.25

Installation screw

Truss head installation screw	834TH
-------------------------------	-------



COMPACT 38C for Full Overlay

Hinges

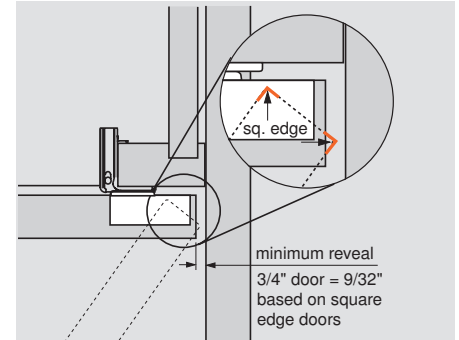


Features

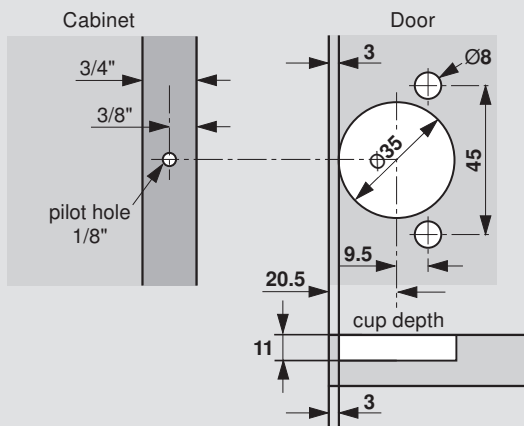
- 107° opening angle
- One piece assembly
- Wraparound mount
- 7/16" cup depth
- ±1/8" height adjustment
- ±1/16" side adjustment
- +3/32", -1/32" cam depth adjustment
- Steel, nickel-plated
- Can be used with BLUMOTION 971A9700



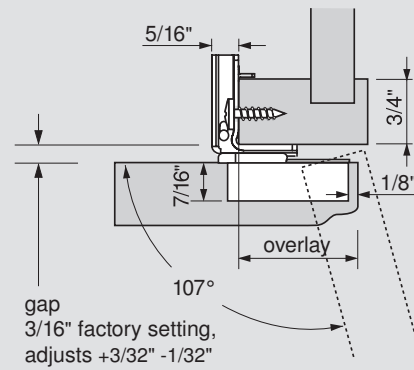
Minimum Reveal



Boring pattern

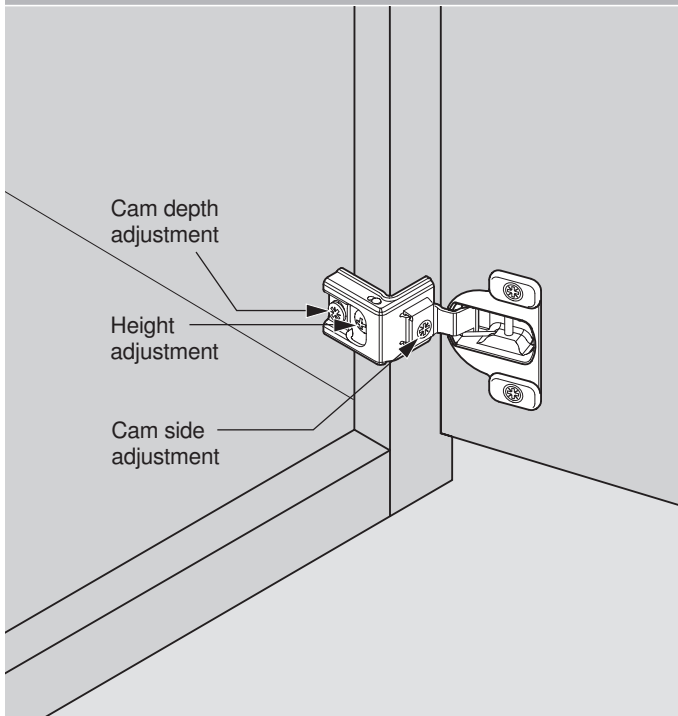


Dimensions

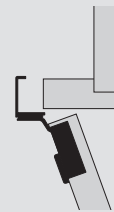


NOTE: Maximum door thickness 3/4"

Adjustments



Wraparound hinges



Overlay	Screw-on	47 Press-in
1-1/4"	38C355C.20	38C358C.20
1-3/8"		38C358C.22
1-1/2"		38C358C.24

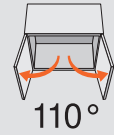
Installation screw

Truss head installation screw	834TH
-------------------------------	-------

Hinges



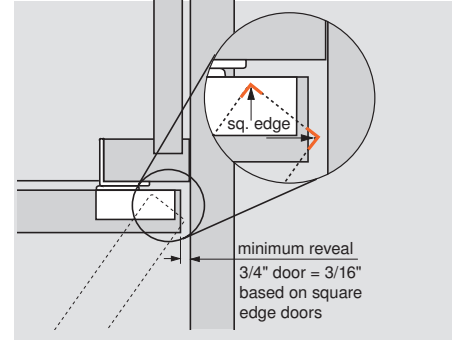
COMPACT 33



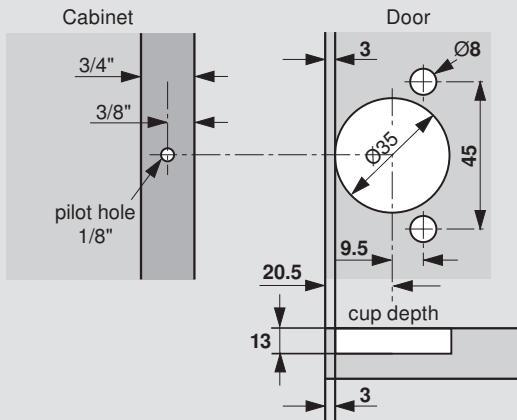
Features

- 110° opening angle
- Two piece assembly
- Edge or face mount
- 1/2" cup depth
- ±9/64" height adjustment
- -1/8" side adjustment only
- Zinc die-cast hinge and mounting plates
- Can be used with BLUMOTION 971A9700

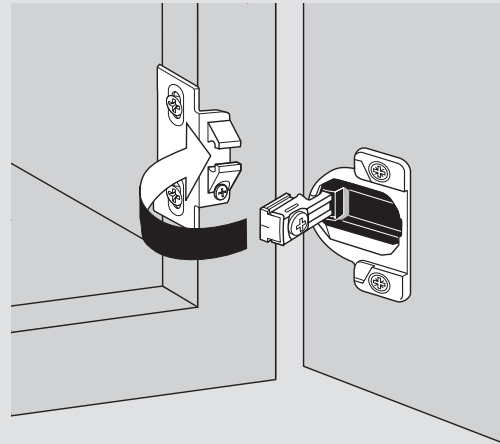
Minimum Reveal



Boring pattern



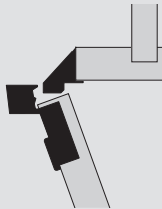
Mounting



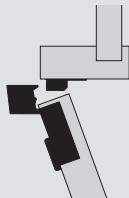
NOTE: Maximum door thickness 3/4"

Attachment options

Edge mount



Face mount

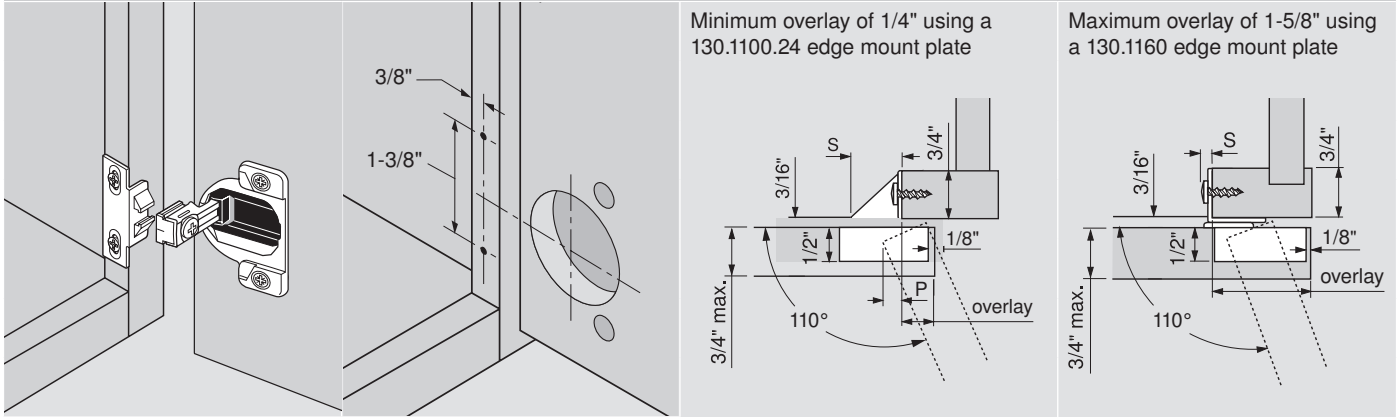


Attachment	Screw-on	Press-in
	33.3600	33.3630

Installation screw

Wood screw	606N or 606P
------------	--------------

Edge mount specifications



Minimum overlay of 1/4" using a 130.1100.24 edge mount plate

Maximum overlay of 1-5/8" using a 130.1160 edge mount plate

Edge mount mounting plates

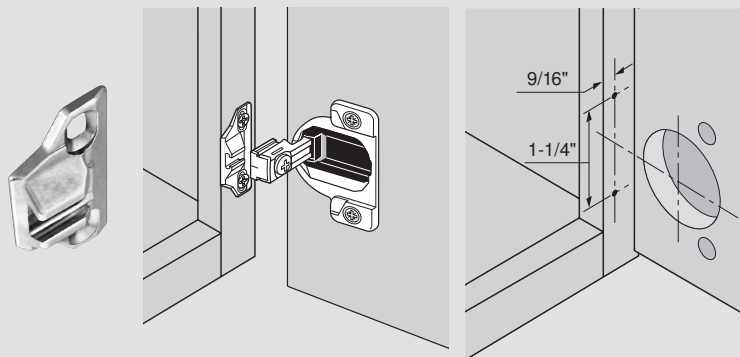


- Zinc die-cast, nickel-plated
- Attaches with #6 x 5/8" wood screws (606N or 606P)
- Overlays from 1/4" to 1-5/8"

NOTE: An additional screw is required on mounting plates with 1-3/8" to 1-5/8" overlays to insure stability. Install after height adjustments have been made.

Overlay	Hinge arm protrusion (S)	Door protrusion (P)	Mounting plate
1/4"	1-1/8"	1/2"	130.1100.24
1/2"	7/8"	1/4"	130.1100.23
5/8"	3/4"	1/8"	130.1100.26
3/4"	5/8"	0	130.1100.22
1"	3/8"	0	130.1110.02
1-1/8"	1/4"	0	130.1120.02
1-1/4"	3/16"	0	130.1130.02
*1-3/8"	3/16"	0	130.1140.02
*1-1/2"	3/16"	0	130.1150.02
*1-5/8"	3/16"	0	130.1160

Face mount mounting plate



- Zinc die-cast, nickel-plated
- Attaches with #6 x 5/8" wood screws (606N or 606P)
- Overlays 1-3/8" or greater

Mounting plate

Part no.

Face mount

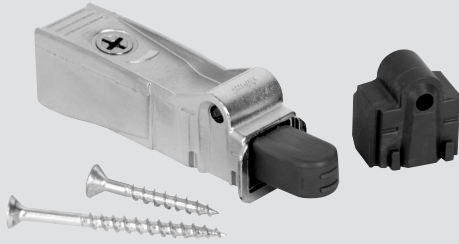
133.0240

Hinges



BLUMOTION 971A for COMPACT Hinges

BLUMOTION 971A poly-bag set



Can be used for all COMPACT hinges

Set includes:

- BLUMOTION mechanism (971A9700)
- Spacer (971A9709)
- #8 x 1-1/4" type 17 wood screw
- #8 x 2" type 17 wood screw

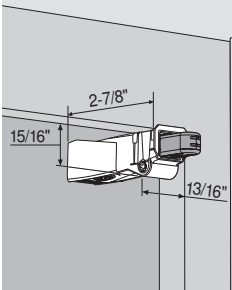
Part no.

Poly-bag set

971A9700.22

Full overlay

- Full overlay – 1" or greater overlay

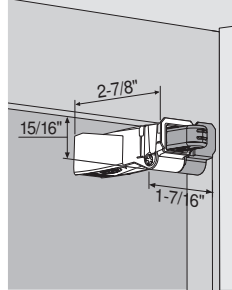


Part no.

BLUMOTION	971A9700
Installation screw (1-1/4")	8114Z

Partial overlay

- Partial overlay – less than 1" overlay



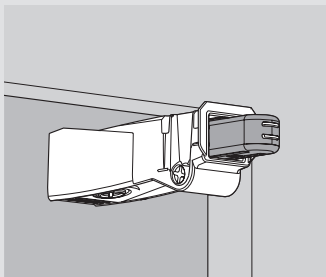
Part no.

BLUMOTION	971A9700
Spacer	971A9709
Installation screw (2")	8200Z

Specifications

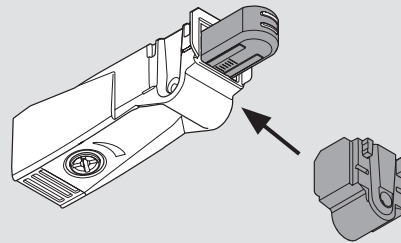
Mounting

BLUMOTION for doors mounts anywhere on the hinge-side stile of the cabinet using a 1-1/4" screw or 2" screw when using spacer.



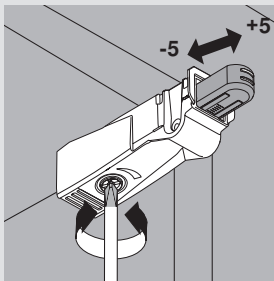
Attachment of partial overlay spacer

The partial overlay spacer snaps onto the side of the BLUMOTION for easier mounting.



Adjustment

Use a Phillips or POZI screwdriver to adjust the contact point in or out (+5/-5 mm). Adjust out for larger, heavier doors or in for smaller, lighter doors.

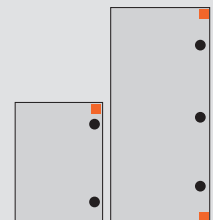


BLUMOTION per door

For optimum BLUMOTION effect, one BLUMOTION 971A should be installed for most applications.

Tall or heavy doors may require an additional BLUMOTION 971A. Trial application recommended.

- BLUMOTION 973A
- Hinges



COMPACT Cover Caps

COMPACT 38N cover cap



- Use with COMPACT 38N hinges
- Clip on attachment/removal
- Available blank or with printed custom logo (minimums apply)
- Steel, nickel-plated

	Part no.
38N cover cap	70.7503

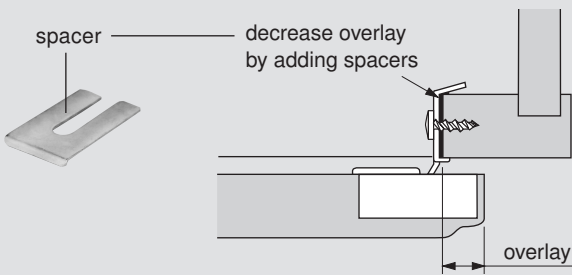
COMPACT 39C/38C cover cap



- Use with COMPACT 39C/38C hinges only
- Clip on attachment/removal
- Available blank/embossed blum logo or with printed custom logo (minimums apply)
- Steel, nickel-plated

	Part no.
Blank	38C3508
Embossed Blum logo	38C3508.BP

Distance spacer




- Decreases door overlay in 1/32" increments
- Can be stacked to achieve desired overlay reduction
- Steel, zinc-coated

	Part no.
Distance spacer	36.3515

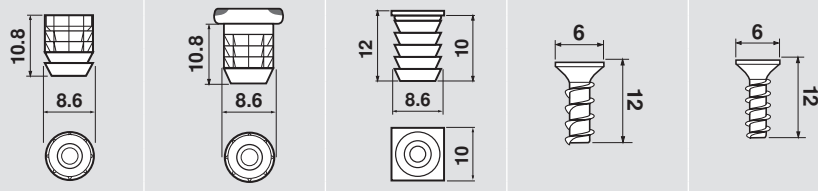
Dowel Cross-Reference Chart

Blum press-in dowels simplify installation
Use the charts below to find the proper hinge-to-dowel combination

Ø8 mm dowels

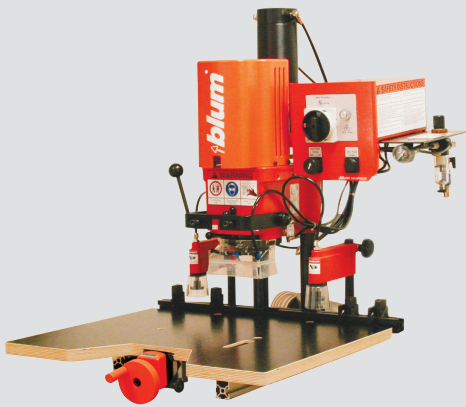


NOTE: All dowels for Ø8 mm holes require a #6 x 1/2" dowel screw (608.1200)



Dowels for Ø8 mm hole		70.0532	70T5582.01	34.3582.01	602.1200	608.1200
Type	Series	Without flange	Square head with flange	With flange	Installation screw	Installation screw
CLIP top BLUMOTION, CLIP top and CLIP	100°/107°	✓				✓
	110°/110°+		✓		✓	
	120°/120°+	✓				✓
	170°	✓				✓
	Thick door	✓				✓
	Zero protrusion	✓				✓
	Diagonal 45°	✓				✓
	Blind corner	✓				✓
Bi-fold	✓				✓	
COMPACT BLUMOTION and COMPACT	38N			✓		✓
	39C/38C/38B			✓		✓
	33			✓		✓

MINIPRESS P – Deluxe boring and insertion machine



- Front adjustable boring distance with digital counter
- Pneumatic hold-down clamps
- Boring depth adjustment
- Ruler stops (qty 4)
- Tool kit included
- Dust collection attachment
- Optional laser center line set
- Accepts new 8 or 9 spindle heads

Part no.

Single phase – 220V power

M53.1053*US

Three-phase – 220V power

M53.1004*US

MINIPRESS M – 110V manual boring and insertion machine



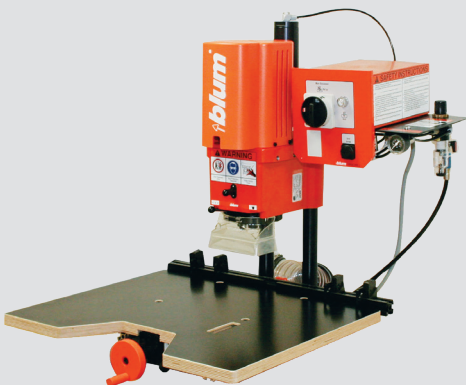
- 110V power with molding plug (portable)
- Does not require pressurized air
- Ruler stops (qty 4)
- Tool kit included
- Dust collection attachment
- Accepts new 8 or 9 spindle heads

Part no.

Single phase – 110V power

M52.1056*US

MINIDRILL P – Standard boring machine



- Front adjustable boring distance
- Ruler stops (qty 4)
- Tool kit included
- Dust collection attachment
- Optional laser center line, digital counter and hold down clamps sets
- Accepts new 8 or 9 spindle heads

Part no.

Single phase – 220V power

M53.1053*50

9 spindle head



NOTE: Requires 5 each left hand and 4 each right hand drill bits. Recommended drill bit size for quick disconnect chucks: overall length is 57 mm and shank is 10 mm in diameter and 27 mm in length.

- 9 spindle head for use with MINIPRESS/MINIDRILL M53
- Bores nine holes spaced 32 mm apart, parallel to the fence
- Quick-disconnect chucks
- Once aligned, does not require additional adjustment
- Bores cabinet side panel for 32 mm system boring for Blum mounting plates and runners
- Requires retrofit set for use with machines produced in 2009 or prior

Includes:

- Ø3 mm allen wrench
- Distance spacer
- Drive pin
- Air hose

Part no.

9 spindle head	MZK.190S
Chuck cover cap	M30.1329

8 spindle head



NOTE: Requires 4 each left hand and 4 each right hand drill bits. Recommended drill bit size for quick disconnect chucks: overall length is 57 mm and shank is 10 mm in diameter and 27 mm in length.

- 8 spindle head for use with MINIPRESS/MINIDRILL M53
- Bores eight holes spaced 32 mm apart, perpendicular to the fence
- Quick-disconnect chucks
- Once aligned, does not require additional adjustment
- Bores all Box systems front fixing brackets/galleries
- Bores cabinet side panels for all Blum runner systems
- Requires retrofit set for use with machines produced in 2009 or prior

Includes:

- Ø3 mm allen wrench
- Distance spacer
- Drive pin
- Air hose

Part no.

8 spindle head	MZK.880S
Chuck cover cap	M30.1329

Spindle head retrofit set



- Required for attachment of 9 and 8 spindle heads to MINIPRESS/MINIDRILL produced in 2009 and prior
- Previous boring heads MZK.1000.US and MZK.8000.US cannot be used with the retrofit set

Set includes:

- 1** Adapter ring and shield
- 2** Ø5 mm allen wrench
- 3** Mounting bolts (qty 4)
- 4** Alignment pins (qty 2)
- 5** Alignment template
- 6** 13 mm fixed depth stop (qty 2)

Part no.

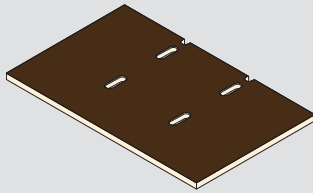
Spindle head retrofit set	M30.1313.UM
---------------------------	--------------------

Hinges



Machine Accessories

Work table for M51 machine

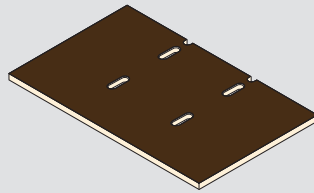


Part no.

Work table

MZA.1000

Work table for M52 machine

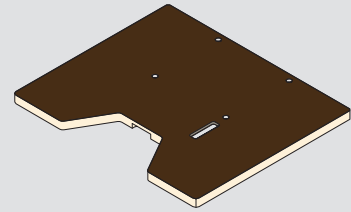


Part no.

Work table

MZA.5200

Work table for M53 machine



Part no.

Work table

MZA.5300

Center ruler

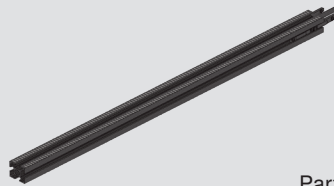


Part no.

Center ruler, 600 (2')

M30.0212

Extension ruler

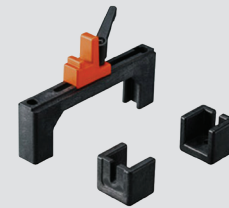


Part no.

Extension ruler, 1250 (4')

MZL.1250.US

Extension ruler support



Part no.

Extension ruler support

MZV.2100

Ruler stop

- Left or right ruler stop



Part no.

Ruler stop

MZS.3000

Small ruler stop

- Left or right ruler stop



Part no.

Small ruler stop

MZS.2000

Large ruler stop

- Symmetrical ruler stop



Part no.

Large ruler stop

MZS.1000

Fixed depth stop

- 13 (1/2") fixed depth stop for use with M51N and M51P machines (T-shaped)



Part no.

Fixed depth stop

M30.1304.01

Fixed depth stop

- 13 (1/2") fixed depth stop for use with M53. machines



Part no.

Fixed depth stop

M30.1304.02

Digital counter set

- For MINIPRESS P and MINIDRILL



Part no.

Digital counter set

MZE.2110

Hold down clamp set

- For use with MINIPRESS, MINIDRILL, M51P and M53.



Part no.

Hold down clamp set

M53.0720.US

Laser center point set



Part no.

Laser center point set

MZR.5300.US

Breakaway clutch

- For use with M51P and M53. machines



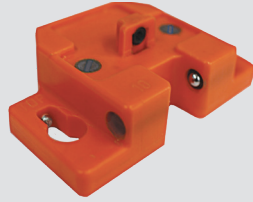
Part no.

Breakaway clutch

MZK.2009

Euro hinge insertion ram

- Can be used for inserting CLIP top BLUMOTION, CLIP top and CLIP press-in hinges
- Not for use with wide angled or specialty hinges



NOTE: Can be used with CLIP top BLUMOTION 95°, CLIP top 95° and CLIP 100° by adjusting the ball plungers

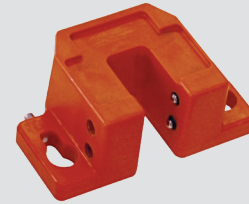
Part no.

#10 insertion ram

MZM.0010.01

Euro hinge insertion ram

- Can be used for inserting Blum wide angle press-in hinges



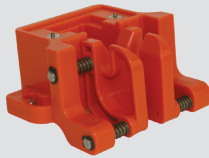
Part no.

#18 insertion ram

MZM.0018

Euro hinge insertion ram

- Can be used for inserting most Blum press-in Euro hinges



NOTE: Not for use with 170°, 155° and 125° wide angle hinges

Part no.

#40 insertion ram

MZM.0040

COMPACT hinge insertion ram

- Can be used for inserting all Blum COMPACT press-in hinges

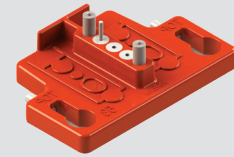


#47 insertion ram

MZM.0047

Mounting plate insertion Ram

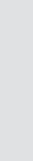
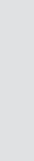
- MINIPRESS insertion ram for press-in, in-line mounting plate 177H3100



#53 insertion ram

MZM.0053

Machine drill bits



Ø5 mm

Ø8 mm

Ø10 mm

Ø35 mm

Part no.

Ø5 mm drill bit (right handed)

M01.ZB05.D2 R

Ø5 mm drill bit (left handed)

M01.ZB05.D3 L

Ø8 mm drill bit (left handed)

M01.ZB08.03 L

Ø10 mm drill bit (right handed)

M01.ZB10.02 R

Ø10 mm drill bit (left handed)

M01.ZB10.03 L

Ø10 mm drill bit for mineral composites/HPL (right handed)

M01.ZB10.T2 R

Ø10 mm drill bit for mineral composites/HPL (left handed)

M01.ZB10.T3 L

Ø20 mm drill bit (right handed)

M01.ZB20.02 R

Ø35 mm drill bit (right handed)

M01.ZB35.02 R

NOTE: Machine drill bits need to be set to 57 mm in length to achieve proper bore depth.

Twist drill bits – high speed steel



VPB-5



Twist drill bit



*Chuck for DB-2 mm

Part no.

VPB-5 centering bit

VPB-5

Ø2 mm left

DB-2mm

Ø2.5 mm right

DB-2.5mm

Ø5 mm right

DB-5mm

Ø8 mm right

DB-8mm

Ø10 mm right

DB-10mm

Ø10 mm chuck for DB-2 mm

DB-10 x 2mm

*Used to pilot bore for screw-on hinges with MINIPRESS or MINIDRILL

Knock-in tool



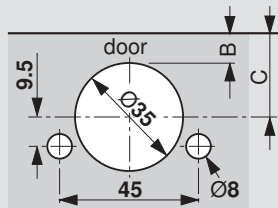
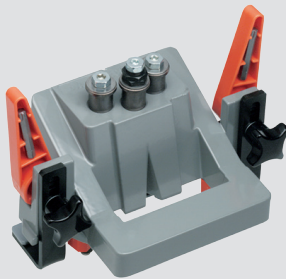
- Can be used to insert all Blum press-in hinges

Part no.

Knock-in tool

ZME.0710

ECODRILL



- Simple device for boring Blum hinge pattern
- Driven by electric/cordless drill (18v or higher)
- Boring distance adjusts from 2 mm to 8 mm
- Clamps to various door thicknesses up to 40 mm
- Includes drill bits (pre-installed) and two Torx bits

Part no.

ECODRILL

M31.1000

Accessories

Replacement Ø35 mm bit

M31.ZB35.02

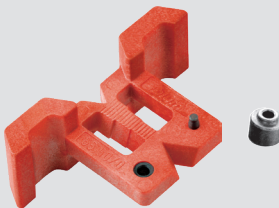
Replacement Ø8 mm bit

M31.ZB08.02

Tool set

MZW.1300

ECOJIG



holes are:
32 mm apart,
37 mm setback



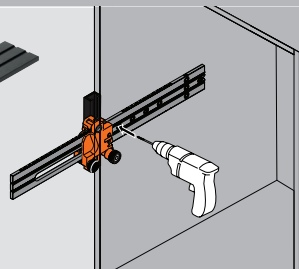
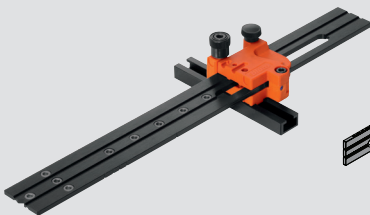
- Used to bore Ø5 mm holes for mounting plates that are mounted with system screws, EXPANDO dowels or INSERTA
- Also can be used to pre-bore Ø5 mm holes for EXPANDO BLUMOTION adapters
- Ø5 mm stop collar included

Part no.

ECOJIG

65.5070

Universal individual template



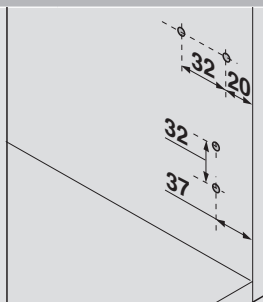
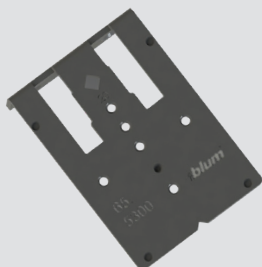
- For pre-boring mounting plates
- Also used for marking and pre-boring cabinet profiles, BLUMOTION, TIP-ON adapter plates and AVENTOS locating pins
- Calibrated scale for accurate setting

Part no.

Universal individual template

65.1051.02

Mounting plate template



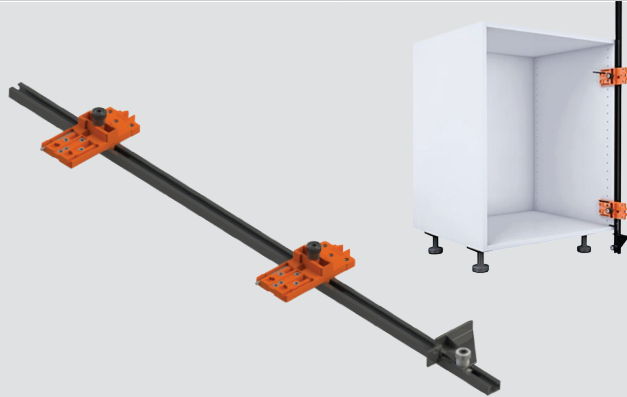
- For pre-boring TIP-ON for doors wing and in-line adapters
- Can also be used to bore for wing (37 mm) and in-line (20 mm) mounting plates
- Additional hole location added (37 mm) for in-line adapter for standard doors
- Simple location of adapter and mounting plate screw positions
- Pilot bore Ø2.5 mm holes for wood screws

Part no.

Mounting plate template

65.5300*

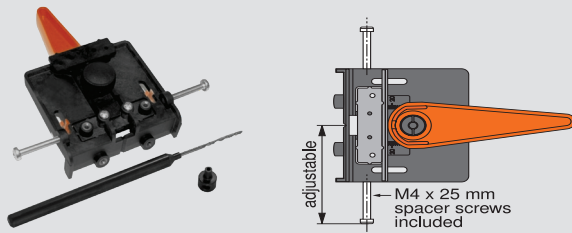
QUICKFIX



- Drilling sleeve dimensions changed from 2.5 mm to 5 mm for drilling for in-line mounting plates
- Locates/matches positions of hinges and plates on cabinets and doors
- Transfers positions from door-to-cabinet and cabinet-to-door
- Adjustable stop for various door overlays
- For use with wing or in-line mounting plates

	Part no.
QUICKFIX	65.7500.03
Accessories	
Additional CLIP template	65.7510.03
2.2 meter rail	65.7590
Ø5 mm drill bit	DB-5mm

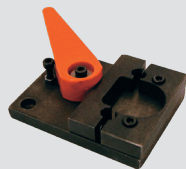
PLATEMATE



- Boring template for all Blum face frame adapter plates
- Clamps to the frame with cam lever
- Adjustment knob accommodates frame thickness of 5/8" to 1"
- Spacer screws permit quick use without measuring
- Includes 2.5 mm pilot bit and drill bit extension

	Part no.
PLATEMATE	65.5030.01

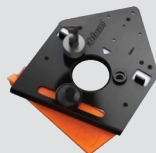
Dowelling fixture



- Tool designed for attaching and removing dowels from hinges
- Mounts directly to work surface

	Part no.
Dowelling fixture	69.3600

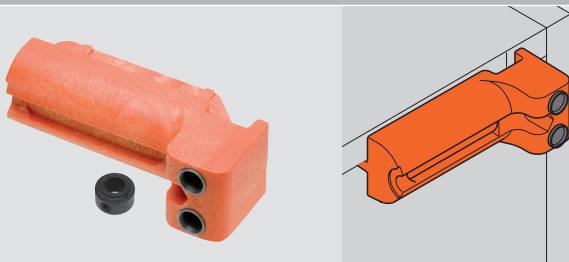
INSERTA boring template



- For boring Ø8 mm dowel holes after Ø35 mm hole is bored
- Boring distance adjusts from 2 mm to 8 mm
- Also bores Ø5 mm holes for system screw mounting plates
- Includes drill stop collar to pilot bore Ø2.5 mm for screw-on plates

	Part no.
INSERTA boring template	65.059A

BLUMOTION and TIP-ON for doors boring template



- For pre-boring BLUMOTION and TIP-ON units
- Ø10 mm drill bushing for edge boring
- Bores left and right side of cabinet
- Includes Ø10 mm stop collar

	Part no.
BLUMOTION and TIP-ON for doors boring template	65.5010

Hinges



Assembly Aids

Deep thread wood screws

- For attaching hinges and mounting plates

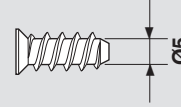


Part no.

#6 x 1/2", #2 Phillips	6062N
#6 x 5/8", #2 Phillips	606N
#6 x 5/8", #2 POZI	606P
#6 x 3/4", #2 Phillips	6064N
#7 x 5/8", #2 Phillips	707N
#7 x 3/4", #2 Phillips	7074N

Deep thread system screws

- Pilot bore Ø5 (3/16") hole

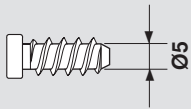


Part no.

#7 x 10 mm, #2 POZI	661.1000.HG
#7 x 11.5 mm, #2 POZI	661.1150.HG
#7 x 13 mm, #2 POZI	661.1300.HG
#7 x 14.5 mm, #2 POZI	661.1450.HG
#7 x 20 mm, #2 POZI	661.2000.HG
#7 x 25 mm, #2 POZI	661.2500.HG

Pan head system screw

- Pilot bore Ø5 (3/16") hole

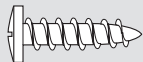


Part no.

#7 x 14.5 mm, #2 POZI	668.1450.EH
-----------------------	-------------

Truss head screw

- For attaching COMPACT hinges to face frame
- Type 17



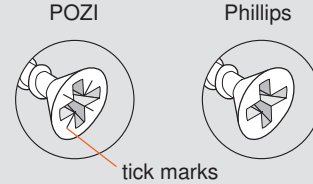
Part no.

#8 x 3/4", #2 Phillips	834TH
------------------------	-------

POZI DRIVER and bits



A POZI screwdriver (different from Phillips) is the most crucial tool you can use to assure that full torque is applied to all Blum mounting screws. POZI screws can be identified by the distinctive "tick" marks located in the center of the screw head recess.



Part no.

#2 POZI DRIVER	POZI DRIVER
1/4" Magnetic bit holder	BIT HOLDER
#2 x 1" POZI bit insert	POZI BIT #2X1
#2 x 2" POZI bit insert	POZI BIT #2X2

Twin application screw

- Pre-bored Ø5 (3/16") hole

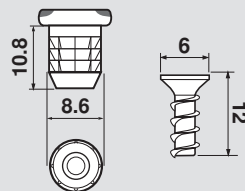


Part no.

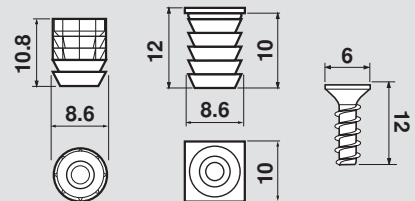
14 (9/16") screw	612.2010
16 (5/8") sleeve For panel thickness 16 - 20 mm	612.2020
20 (25/32") sleeve For panel thickness 20 - 24 mm	612.2420

Ø8 mm dowels

- Square head dowel for attaching to hinges

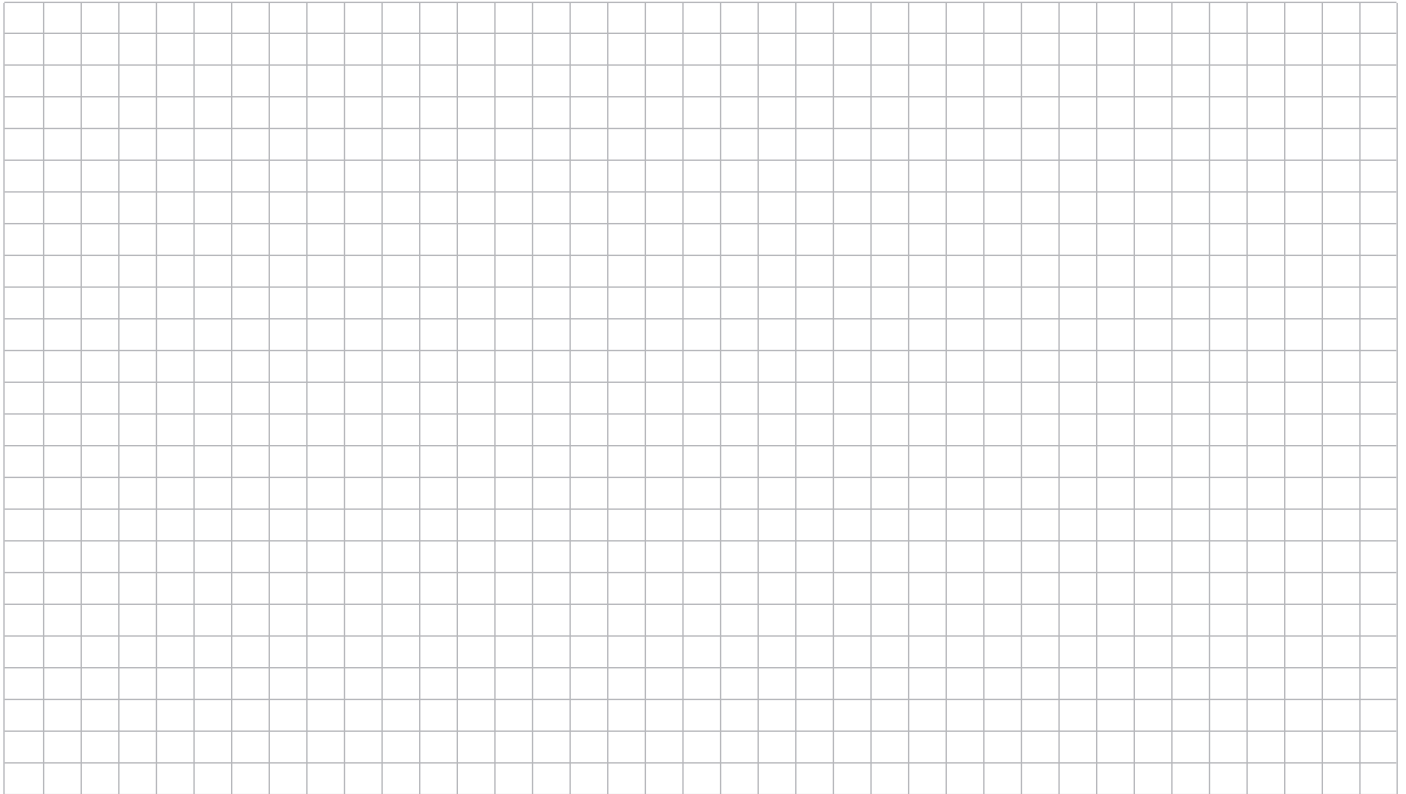


- Round dowel for insertion into doors



Part no.

Ø8 mm square dowel	70T5582.01	Ø8 mm round dowel	70.0532
Installation screw	602.1200	With flange	34.3582.01
		Installation screw	608.1200



General Information

All Blum hardware undergoes strict quality control procedures through all stages of production. Blum hardware is designed for cabinets and cabinet components made from wood, melamine or MDF. Careful attention must be paid to installation and operating instructions when using Blum hardware (see catalogs and instruction sheets for all technical information). The manufacturer must decide on the screws or attachment methods to suit the material being used (i.e. wood, melamine, etc.). The hardware must not be exposed to acidic or corrosive materials (i.e. some household cleaning solutions). To ensure that Blum hardware functions correctly, it must be kept clean and undamaged. For any additional information please contact your Blum representative. Anyone selling Blum hardware must ensure that their customer is aware of any relevant information given in this catalog. Care and cleaning – use a clean damp cloth.

Conditions of Sale and Delivery

All deliveries and services are based on the “general conditions of sale” which are available upon request. The technical presentations and dimensions in illustrations are non-binding. We reserve the right to make changes to specifications at any time. We do not accept any responsibility for any errors which may occur in the production of this catalog.



Connect With Us on Social Media

Be sure to connect with us on social media for additional resources for information regarding tips on installation, maximizing storage space, new products and other news and events going on inside Blum.

Find us by searching "**Blum Inc**" in the search bar.



Hinges



Part Numbers

Part no.	Page no.		
130.1100.22		91	
130.1100.23		91	
130.1100.24		91	
130.1100.26		91	
130.1110.02		91	
130.1120.02		91	
130.1130.02		91	
130.1140.02		91	
130.1150.02		91	
130.1160		91	
133.0240		91	
171A5010	45, 48, 49, 50, 52, 54, 55		
171A5040	45, 48, 53, 54		
171A5070	45, 48, 49, 51, 55		
171A5500	45, 48, 49, 50, 51, 52, 53, 54, 55		
173H7100	48, 49, 50, 51, 52, 53, 54, 55, 59		
173H7130	48, 51, 53, 54, 59		
173H9100		59	
173H9100.04		62, 63	
173H9100.08		62, 63	
173H9100.12		62, 63	
173H9100.16		62, 63	
173H9130		59	
173H9130.06		62, 63	
173H9130.10		62, 63	
173H9130.14		62, 63	
173H9130.18		62, 63	
173L6100		58	
173L6130		58	
173L8100		58	
173L8130		58	
174E6100.01		58	
174E610Z		58	
174H7100E		26, 59	
174H7100I		59	
174H710ZE		59	
174H7130E		59	
174H7130I		59	
175H3100		26, 60	
175H5030.21		61	
175H6000		36, 61	
175H6030		61	
175H6040		61	
175H6060		61	
175H6600		61	
175H7100		60	
175H7130		60	
175H7190		48, 55, 60	
175H9100		60	
175H9130		60	
175H9160	48, 49, 50, 53, 55, 60		
175H9190	48, 50, 51, 52, 60		
175H9190.22		19, 48, 51, 52, 55, 60	
175L6030.21		61	
175L6600.22		61	
175L6600.24		61	
175L6630.22		61	
175L6660.22		61	
175L8100		58	
175L8130		58	
175L8190		58	
177H3100		60	
177H3100E		60	
177H3130E		60	
181.6130		48, 55, 56	
33.3600		90	
33.3630		90	
34.3582.01		93, 100	
36.3515		93	
38B355BF22		84	
38B358BF22		84	
38C315B3.1		81, 82, 83, 84, 85	
38C3508		82, 83, 85, 93	
38C3508.BP		85, 93	
38C355B9		81, 82, 83, 84, 85	
38C355B.20		83	
38C355C.20		89	
38C358B.20		83	
38C358C.20		89	
38C358C.22		89	
38C358C.24		89	
38N3508B		81, 85	
38N3508BBP		85	
38N355B.06		81	
38N355B.08		81	
38N355B.10		81	
38N355B.12		81	
38N355BE08		81	
38N355C.06		87	
38N355C.08		87	
38N355C.10		87	
38N355C.12		87	
38N355CE08		87	
38N358B.05		81	
38N358B.06		81	
38N358B.08		81	
38N358B.10		81	
38N358B.12		81	
38N358BE08		81	
38N358C.06		87	
38N358C.08		87	
38N358C.10		87	
38N358C.12		87	
38N358CE08		87	

Part no.	Page no.		
39C355B.16	82	70.4503	18, 26, 56
39C355B.20	82	70.6103	34, 56
39C355B.21	82	70.7503	93
39C355B.22	82	707N	100
39C355B.24	82	7074N	100
39C355B.25	82	70M2550.TL	43
39C355C.16	88	70M2580.TL	43
39C355C.20	88	70M2650.TL	43
39C355C.22	88	70M2750.TL	43
39C355C.24	88	70M2780.TL	43
39C358B.16	82	70T1504	56
39C358B.20	82	70T3504	26, 56
39C358B.21	82	70T3507.21	56
39C358B.22	82	70T3550.TL	28
39C358B.24	82	70T3553	57
39C358B.25	82	70T3580.TL	28
39C358C.16	88	70T3590.TL	28
39C358C.20	88	70T3650.TL	28
39C358C.22	88	70T3690.TL	28
39C358C.24	88	70T3750.TL	28
39C358C.25	88	70T5582.01	93, 100
602.1200	93, 100	70T6540BTL	33
6062N	100	70T6550.TL	33
6064N	100	70T6650.TL	33
606N	68, 70, 75, 84, 90, 100	70T7504	26
606P	68, 70, 75, 84, 90, 100	70T7553	15, 16, 17, 19, 35, 57
608.1200	93, 100	70T7553.09	15, 16, 17, 35, 57
612.2010	100	70T9550.TL	32
612.2020	100	70T9580.TL	32
612.2420	100	70T9650.TL	32
65.059A	99	70T9750.TL	32
65.1051.02	98	71B3550	12, 24
65.5010	99	71B3580	12, 24
65.5030.01	99	71B358E	12
65.5070	98	71B3590	12, 24
65.5300*	98	71B3650	12, 24
65.7500.03	99	71B3680	12
65.7510.03	99	71B3690	12, 24
65.7590	99	71B3750	12, 24
661.1000.HG	100	71B3780	12
661.1150.HG	100	71B3790	12, 24
661.1300.HG	100	71B7550	15, 16, 25
661.1450.HG	100	71B7550D	18
661.2000.HG	100	71B7580D	18
661.2500.HG	100	71B7580	15, 16, 25
668.1450.EH	100	71B7590	15, 16, 25
69.3600	99	71B7650	17
70.0532	93, 100	71B7690	17, 25
70.1503	26, 56	71B950A	23
70.1503.BP	56	71B9550	14, 24
70.1553	26, 56	71B9580	14, 24
70.1663	26, 56	71B9590	14, 24, 45, 45, 48, 49, 50, 54

Hinges



Part Numbers

Part no.	Page no.	Part no.	Page no.
71B9650	14, 24	72T3550.TL	29
71B9680	14	72T3580.TL	29
71B9690	14, 24, 45, 51, 55	72T3590.TL	29
71B9750	14, 24	72T550A.TL	39
71B9780	14	73B3550	13, 24
71B9790	14, 24, 45, 52	73B3580	13
71M2550	43	73B358E	13
71M2580	43	73B3590	13, 24
71M2590B	43	73T3550	29
71M2650	43	73T3580	29
71M2680	43	73T358E	29
71M2690B	43	73T3590	29
71M2750	43	73T550A	39
71M2780	43	73T5550	31
71M2790B	43	73T5580	31
71T0550	41	73T558E	31
71T0650	41	73T5590B	31
71T0750	41	74.1103	57
71T3550	28	75T1550	27
71T3580	28	75T1580	27
71T358E	28	75T1590B	27
71T3590	28	75T4100	42
71T3650	28	75T4200	42
71T3680	28	75T4300	42
71T3690	28	79A5490BT	45, 48, 54, 55
71T3750	28	79A5491BT	45, 48, 54, 55
71T3780	28	79A5493BT	45, 48, 54, 55
71T3790	28	79A9494BT	45, 48, 49, 50, 51, 52
71T5550	30	79A9496BT	45, 48, 49
71T5580	30	79A9498BT	45, 48, 49, 50
71T558E	30	79A9595BT	45, 48, 50, 51, 52, 53
71T5590B	30	79A9596BT	45, 48, 50, 51, 52, 53
71T5650	30	79A9698BT	45, 48, 51, 52, 53
71T5680	30	79B3490	45, 48, 54, 55
71T5690B	30	79B3491	45, 48, 54, 55
71T6540B	33	79B3493	45, 48, 54, 55
71T6550	33	79B3598	20, 25, 45, 48
71T6580	33	79B9494	45, 48, 49, 50, 51, 52
71T6640B	33	79B9496	45, 48, 49
71T6650	33	79B9498	45, 48, 49, 50
71T6680	33	79B9550	21, 25
71T7550	35	79B9580	21, 25
71T7590	35	79B9590	21, 25
71T9550	32	79B9595	45, 48, 50, 51, 52, 53
71T9580	32	79B9596	45, 48, 50, 51, 52, 53
71T9590B	32, 45, 48, 49, 50, 54	79B9698	25, 45, 48, 51, 52, 53
71T9650	32	79B9980	22
71T9680	32	79T5550	40
71T9690B	32, 45, 48, 51, 55	79T5580	40
71T9750	32	79T5590B	40, 45, 48, 50, 52
71T9780	32	79T8500.10	36
71T9790B	32, 45, 48, 52	79T8530.10	36

Part no.	Page no.
79T9550	37
79T9580	37
79T9590B	37
79T9990B37	38
80.6507	56
8114Z	92
8200Z	92
834TH	81, 82, 83, 87, 88, 89, 100
84.4120	42
84.4140	42
90M2103.01	56
956.1004	74
956A1004	74
956A1006	74
956.1201	75
956A1201	75
956A1501	75
970.5201	70
970.5701	70
970.55E1	70
970A1002	64, 65, 70
971A0500	68
971A0700	68
971A9700	92
971A9700.22	92
971A9709	92
973A0500.01	64, 65, 66
973A0600	64, 65, 66
973A0700	64, 65, 66
973A6000	34, 64, 67
BIT HOLDER	100
DB-10 x 2mm	97
DB-10mm	97
DB-2.5mm	97
DB-2mm	97
DB-5mm	97, 99
DB-8mm	97
M01.ZB05.D2 R	97
M01.ZB05.D3 L	97
M01.ZB08.03 L	97
M01.ZB10.02 R	97
M01.ZB10.03 L	97
M01.ZB10.T2 R	97
M01.ZB10.T3 L	97
M01.ZB20.02 R	97
M01.ZB35.02 R	97
M30.0212	96
M30.1304.01	96
M30.1304.02	96
M30.1313.UM	95
M30.1329	95
M31.1000	98

M31.ZB08.02	98
M31.ZB35.02	98
M52.1056*US	94
M53.0720.US	96
M53.1004*US	94
M53.1053*50	94
M53.1053*US	94
MZA.1000	96
MZA.5200	96
MZA.5300	96
MZE.2110	96
MZK.190S	95
MZK.2009	96
MZK.880S	95
MZL.1250.US	96
MZM.0010.01	97
MZM.0018	97
MZM.0040	97
MZM.0047	97
MZM.0053	97
MZR.5300.US	96
MZS.1000	96
MZS.2000	96
MZS.3000	96
MZV.2100	96
MZW.1300	98
POZI BIT #2x1	100
POZI BIT #2x2	100
POZI DRIVER	100
VPB-5	97
ZME.0710	98





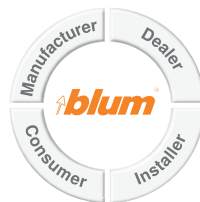
Why choose Blum



Blum, Inc. is a leading manufacturer of functional hardware for the kitchen cabinet and commercial casework industries specializing in lift systems, concealed hinges and drawer runner systems. Virtually all of the hardware needed to assemble and make cabinets functional is available within the wide range of quality Blum products. Blum supports the U.S. market with a network of more than 150 dependable distributors, 50+ knowledgeable Blum sales representatives and an experienced customer service department.

Commitment to manufacturing in the U.S.

Blum manufactures many of its products in our 450,000 sq ft manufacturing, logistics and warehouse facility located in Stanley, North Carolina. Manufacturing closer to the customer allows Blum to react quickly to changing customer needs including unexpected surges in demand. Customer pickups and deliveries can be timed to better match their production schedules. Blum is committed to manufacturing in the U.S. for the U.S. market.



Product development at Blum considers all of the various customers who will come in contact with our products. With this "Global Customer Benefits" philosophy we strive to create advantages for all users.



Blum, Inc. is ISO 9001 certified which means that you are assured of consistent quality in every Blum product. They exceed the requirements of ANSI/BHMA standards for cycle life, static load and self-closing performance.

Please visit blum.com for information on other Blum products
LIT.HNG1000.04.19 Ident. 26233310 © 2019 Blum, Inc.

Blum, Inc.
7733 Old Plank Rd.
Stanley, NC 28164
800-438-6788
blum.com

Insert FSC logo



ISO 9001
Certified Quality
System



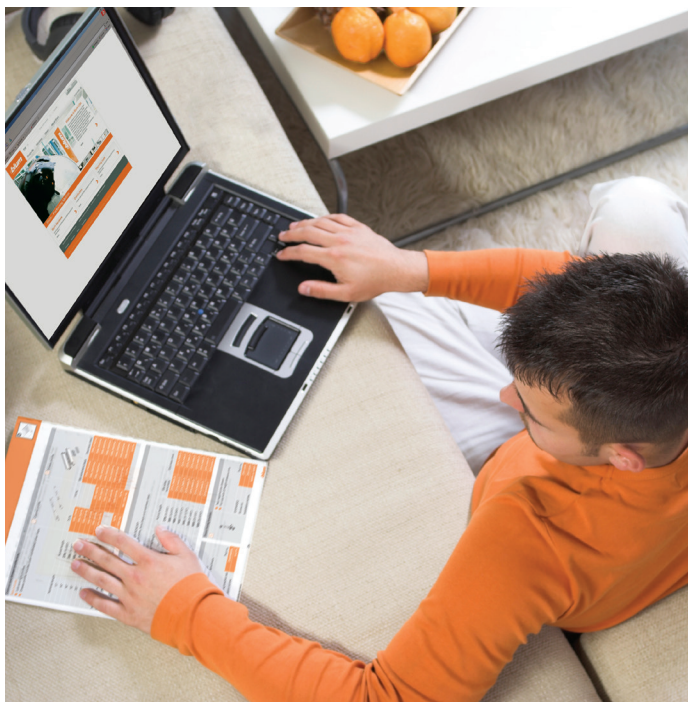
Simple planning and ordering

Blum offers many online tools to help you with your kitchen planning and ordering. Planning tools allow the selection of components based on your cabinet construction and size. Additional components can be selected as needed. Once complete, they provide an easy-to-follow order form.

Hinge planning tools

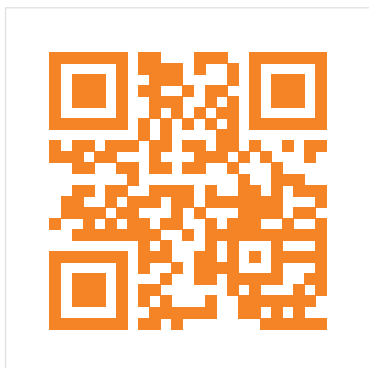
Blum has downloadable Excel® spreadsheets that help determine the hinge that is right for your application.

Planning tools are easily accessible on our website at blum.com/planning



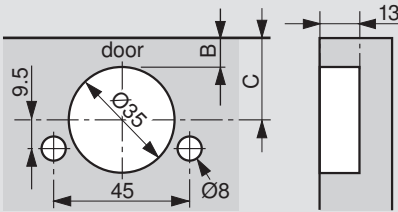
For more information on Concealed hinges, or other Blum products, please refer to our website at www.blum.com.

Or simply scan the quick reference code below



Quick reference

Hinge cup centerpoint

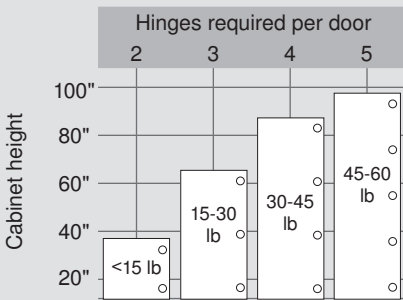


C = cup centerpoint

20.5	21.5	22.5	23.5	24.5	25.5
13/16"	27/32"	7/8"	15/16"	31/32"	1"
3	4	5	6	7	8

B = Boring distance

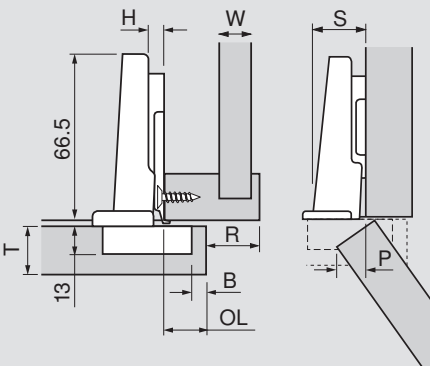
Hinges per door



This chart can serve as a guide for determining the number of hinges per door. Note that door weight can also determine the number of hinges required.

NOTE: The distance between the top and bottom hinges must be greater than the width of the door

Hinge abbreviation key



B	=	Boring distance
H	=	Plate height
OL	=	Door overlay
P	=	Door protrusion
R	=	Reveal
S	=	Side arm protrusion
T	=	Door thickness
W	=	Side panel width
FD	=	Fixed distance

Conversion chart

mm	inch	
1	1/32	.031
1.5	1/16	.063
2	3/32	.094
3	1/8	.125
4	5/32	.156
5	3/16	.188
5.5	7/32	.219
6	1/4	.25
7	9/32	.281
8	5/16	.313
9	11/32	.344
9.5	3/8	.375
10	13/32	.406
11	7/16	.438
12	15/32	.469
13	1/2	.5
13.5	17/32	.531
14	9/16	.563
15	19/32	.594
16	5/8	.625
17	21/32	.656
17.5	11/16	.688
18	23/32	.719
19	3/4	.75
20	25/32	.781
20.5	13/16	.813
21	27/32	.844
22	7/8	.875
23	29/32	.906
24	15/16	.938
24.5	31/32	.969
25.4	1	1

Fixed distance (FD)

The distance that the cup overlays the cabinet side panel when a hinge is attached to a 0 mm mounting plate. This is used to calculate hinge overlay with the formula $X + B \text{ minus } H = OL$ (Fixed distance + boring distance minus plate height = overlay)