

# AVENTOS HKi

Fully Integrated Lift System



[www.blum.com](http://www.blum.com)

 **blum**<sup>®</sup>



# Visible Elegance Meets Concealed Sophistication

There's magic in what's unseen. And because AVENTOS HKi can be fully encased in the cabinet side panel, the only visible part of the hardware system is the arm, which comes in a sleek black finish. This design complements darker cabinetry or contrasts with lighter tones, opening up new design possibilities with an emphasis on aesthetics, proving that true beauty comes from within.



**Contents**

- 4 Overview
- 6 Ordering Information
- 8 Planning
- 12 Assembly and Removal
- 16 E-SERVICES
- 18 moving ideas



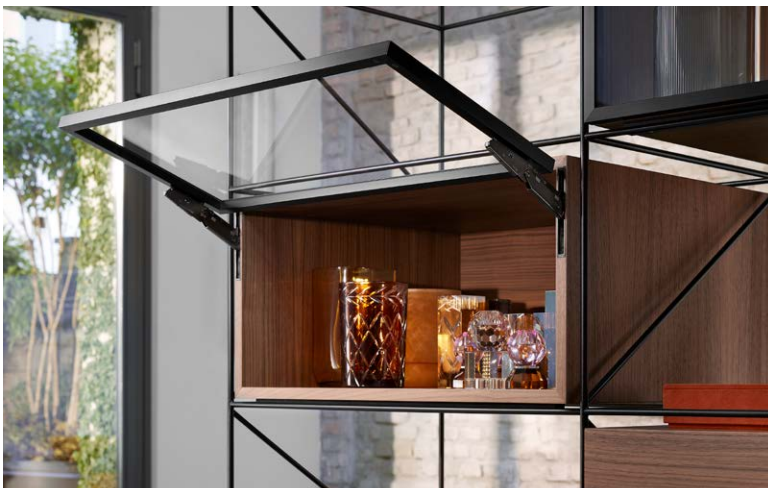
# Nothing Less than Everything

AVENTOS HKi provides the greatest possible functionality in compact spaces and blends discreetly into upper units and wall cabinets. With infinitely variable adjustment of both the lift mechanism and the opening angle stop, HKi adapts to suit a wide range of motion.



### Specifications

- Cabinet heights from 162 mm (6-3/8") – 610 mm (24")
- Cabinet widths up to 1828 mm (72")
- Cabinet side panel thickness of minimum 16 mm (5/8")



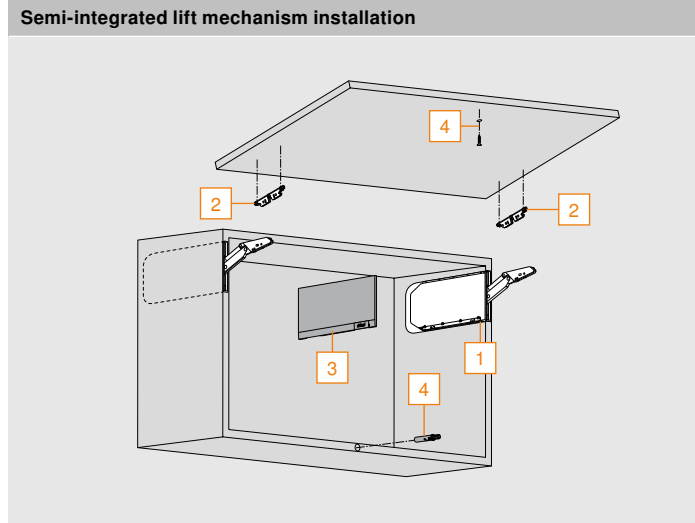
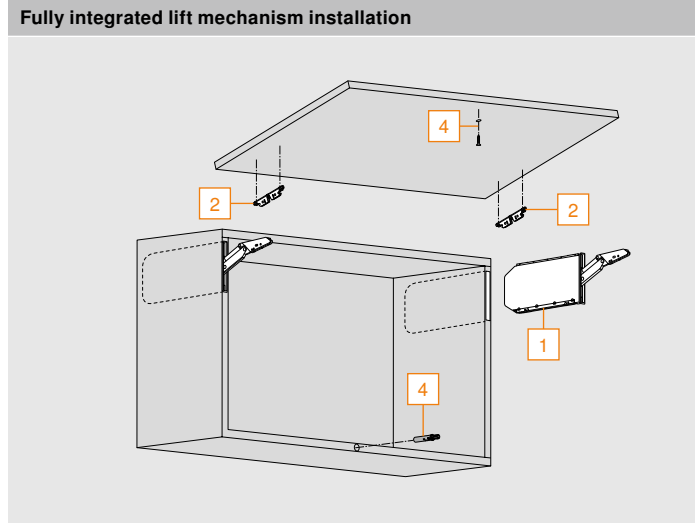
### Features

Available fully integrated or semi-integrated, AVENTOS HKI is easy to install, and no hinges are required.

A range of other features include:

- Soft and effortless closing, thanks to BLUMOTION
- Available with TIP-ON for handleless doors
- Light operating forces
- Integrated safety mechanism prevents lever arms from opening or closing without door attached
- Three-dimensional door adjustment

## Ordering Information



Lift mechanism set			
1	Power factor	Opening angle	Part no.
	37-142	107°	24K2300
	82-246	107°	24K2500
	152-458	107°	24K2700
	229-686	107°	24K2800
<b>Consisting of:</b>			
2 x	Symmetrical lift mechanism in onyx black		


Lift mechanism set for TIP-ON			
1	Power factor	Opening angle	Part no.
	37-142	107°	24K2300T
	82-246	107°	24K2500T
	152-458	107°	24K2700T
	229-686	107°	24K2800T
<b>Consisting of:</b>			
2 x	Symmetrical lift mechanism in onyx black		


**i** Power factor = cabinet height (inch) x door weight including double handle weight (lb)


Using the power factor, you can calculate the number of required lift mechanisms. The power factor required depends on the weight of the door (including double the handle weight) and cabinet height. When using a third lift mechanism (a power factor increase of up to 50%), we recommend a trial application.


**NOTE:** We recommend an additional lift mechanism attached to the center panel for wide cabinets, to prevent the door from sagging when open. A trial application is recommended when you are in a borderline area of the individual lift mechanism's power factor range.

## Ordering Information


Door hardware set								
	<ul style="list-style-type: none"> <li>Onyx black</li> <li>Two brackets required per door</li> </ul>							
	<table border="1"> <tr> <td><b>For wooden doors</b></td> <td>Part no.</td> </tr> <tr> <td>EXPANDO 5 mm</td> <td><b>24K42E1</b></td> </tr> <tr> <td><b>For aluminum frame doors</b></td> <td></td> </tr> <tr> <td>Narrow and wide aluminum frames</td> <td><b>24K4201A</b></td> </tr> </table>	<b>For wooden doors</b>	Part no.	EXPANDO 5 mm	<b>24K42E1</b>	<b>For aluminum frame doors</b>		Narrow and wide aluminum frames
<b>For wooden doors</b>	Part no.							
EXPANDO 5 mm	<b>24K42E1</b>							
<b>For aluminum frame doors</b>								
Narrow and wide aluminum frames	<b>24K4201A</b>							


Cover cap set - For semi-integrated lift mechanism installation only				
	<ul style="list-style-type: none"> <li>Material: Nylon</li> <li>Branding element stamped with Blum logo in in-mold brushed stainless steel pre-mounted</li> <li>Specify color when ordering</li> </ul>			
	<table border="1"> <tr> <td> <ul style="list-style-type: none"> <li>Silk white (SW)</li> <li>Light gray (HGR)</li> <li>Dark gray (TGR)</li> </ul> </td> <td>Part no.</td> </tr> <tr> <td></td> <td><b>24K8000.NA</b></td> </tr> </table>	<ul style="list-style-type: none"> <li>Silk white (SW)</li> <li>Light gray (HGR)</li> <li>Dark gray (TGR)</li> </ul>	Part no.	
<ul style="list-style-type: none"> <li>Silk white (SW)</li> <li>Light gray (HGR)</li> <li>Dark gray (TGR)</li> </ul>	Part no.			
	<b>24K8000.NA</b>			


TIP-ON set for standard doors				
	<ul style="list-style-type: none"> <li>Material: Nylon</li> <li>Screw-on and self-adhesive catch plates</li> <li>Door heights up to 400 mm (15-3/4")</li> <li>Specify color when ordering</li> </ul>			
	<table border="1"> <tr> <td> <ul style="list-style-type: none"> <li>Silk white (SW)</li> <li>Platinum gray (R7036)</li> <li>Carbon black (CS)</li> </ul> </td> <td>Part no.</td> </tr> <tr> <td></td> <td><b>956.1004</b></td> </tr> </table>	<ul style="list-style-type: none"> <li>Silk white (SW)</li> <li>Platinum gray (R7036)</li> <li>Carbon black (CS)</li> </ul>	Part no.	
<ul style="list-style-type: none"> <li>Silk white (SW)</li> <li>Platinum gray (R7036)</li> <li>Carbon black (CS)</li> </ul>	Part no.			
	<b>956.1004</b>			


TIP-ON set for large doors				
	<ul style="list-style-type: none"> <li>Material: Nylon</li> <li>Screw-on and self-adhesive catch plates</li> <li>Door heights greater than 400 mm (15-3/4")</li> <li>Specify color when ordering</li> </ul>			
	<table border="1"> <tr> <td> <ul style="list-style-type: none"> <li>Silk white (SW)</li> <li>Platinum gray (R7036)</li> <li>Carbon black (CS)</li> </ul> </td> <td>Part no.</td> </tr> <tr> <td></td> <td><b>956A.1004</b></td> </tr> </table>	<ul style="list-style-type: none"> <li>Silk white (SW)</li> <li>Platinum gray (R7036)</li> <li>Carbon black (CS)</li> </ul>	Part no.	
<ul style="list-style-type: none"> <li>Silk white (SW)</li> <li>Platinum gray (R7036)</li> <li>Carbon black (CS)</li> </ul>	Part no.			
	<b>956A.1004</b>			


## Optional

Raw boards set, pre-milled			
	<p>2x MDF raw boards 600 x 450 x 19 mm moisture resistant including transport spacers</p>		
	<table border="1"> <tr> <td>Part no.</td> </tr> <tr> <td>Full integration</td> <td><b>24K7100</b></td> </tr> </table>	Part no.	Full integration
Part no.			
Full integration	<b>24K7100</b>		

Spacer set			
	<p>2 pcs, as transport and assembly protection</p>		
	<table border="1"> <tr> <td>Part no.</td> </tr> <tr> <td>Full integration</td> <td><b>M45.1010</b></td> </tr> </table>	Part no.	Full integration
Part no.			
Full integration	<b>M45.1010</b>		

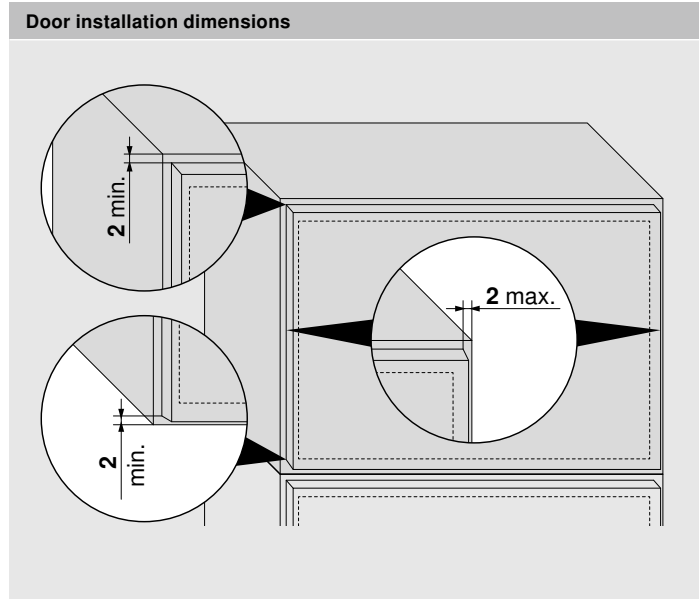
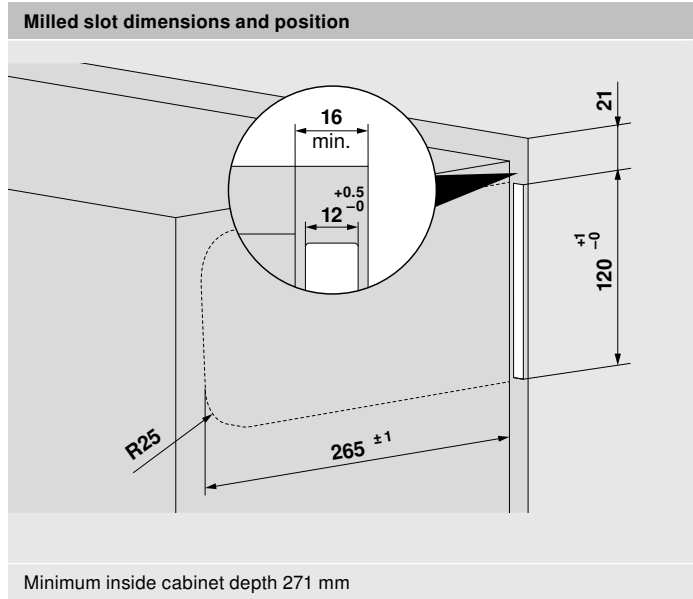
Milling templates set			
	<p>Milling template for lift mechanism, milling template for insert panel, base plate</p>		
	<table border="1"> <tr> <td>Part no.</td> </tr> <tr> <td>Full and semi-integration</td> <td><b>65.5840</b></td> </tr> </table>	Part no.	Full and semi-integration
Part no.			
Full and semi-integration	<b>65.5840</b>		

Flush milling cutter 4mm			
	<p>To expose the milled slot after attaching facings to the raw board</p>		
	<table border="1"> <tr> <td>Part no.</td> </tr> <tr> <td>Full integration</td> <td><b>M45.ZF04</b></td> </tr> </table>	Part no.	Full integration
Part no.			
Full integration	<b>M45.ZF04</b>		

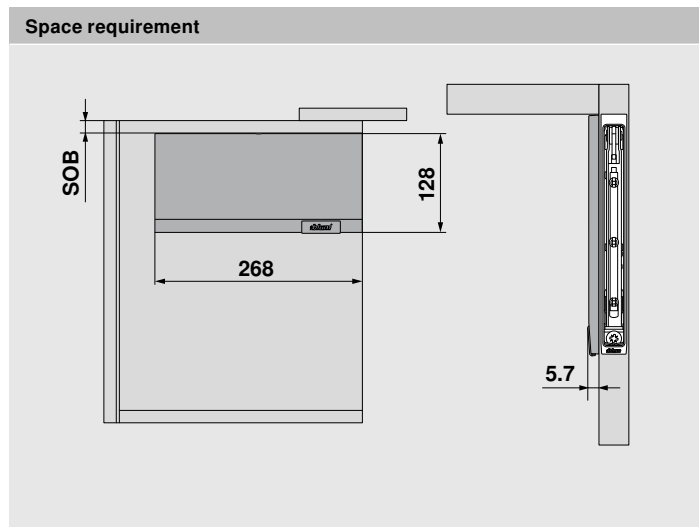
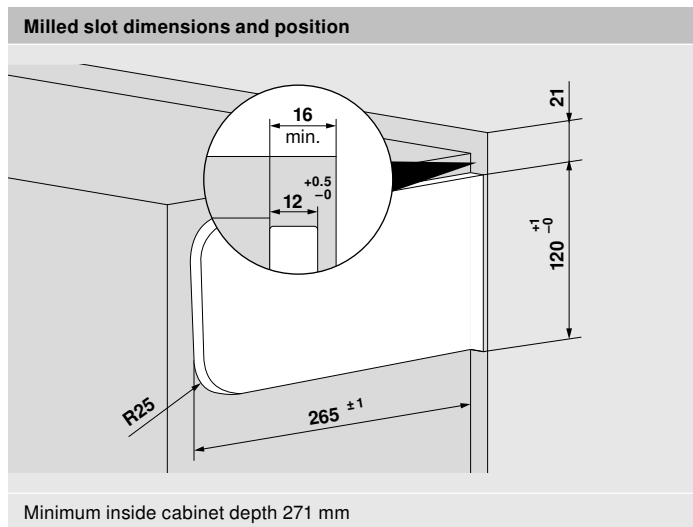
Copy milling cutter 19 mm				
	<p>Ideal in combination with milling templates set</p>			
	<table border="1"> <tr> <td>Part no.</td> </tr> <tr> <td>Full and semi-integration</td> <td><b>M45.ZF19</b></td> </tr> </table>	Part no.	Full and semi-integration	<b>M45.ZF19</b>
	Part no.			
Full and semi-integration	<b>M45.ZF19</b>			
<table border="1"> <tr> <td>Cutting insert set for copy milling cutter</td> <td></td> </tr> <tr> <td>10x cutting inserts</td> <td><b>M34.ZW50</b></td> </tr> </table>	Cutting insert set for copy milling cutter		10x cutting inserts	<b>M34.ZW50</b>
Cutting insert set for copy milling cutter				
10x cutting inserts	<b>M34.ZW50</b>			

Planning

Fully Integrated Lift Mechanism Installation



Semi-Integrated Lift Mechanism Installation



SOB = Top panel thickness



Configure AVENTOS HKI in the Product Configurator with just a few clicks.

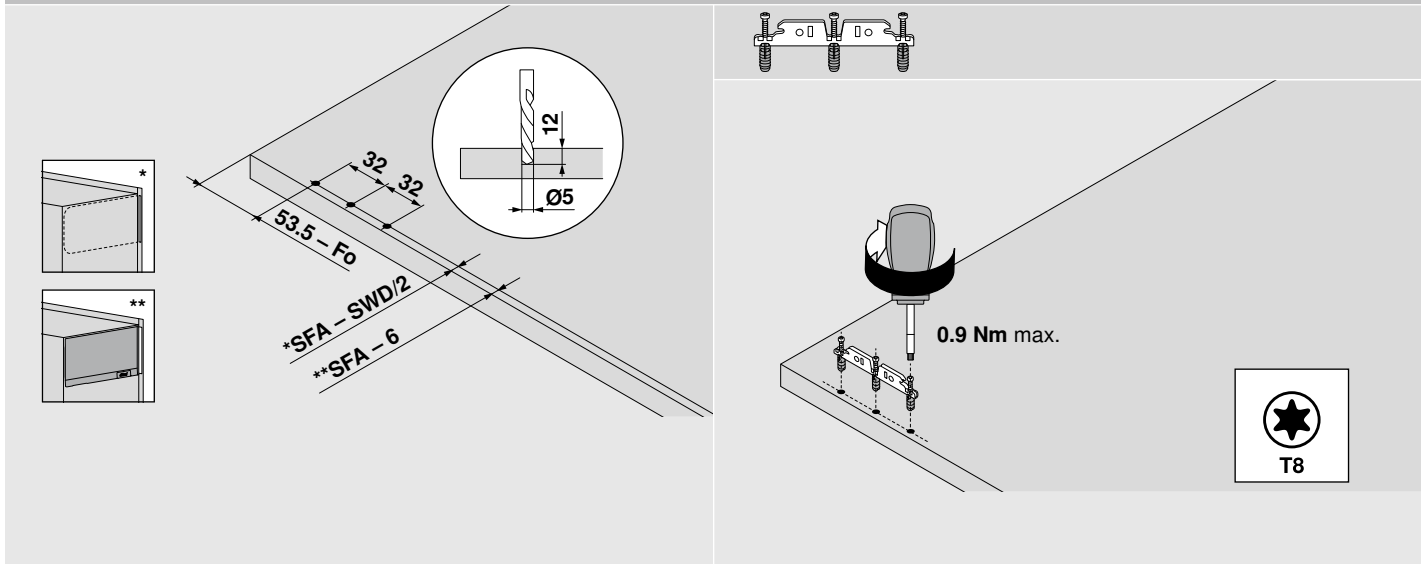
[blum.com/productconfigurator](https://blum.com/productconfigurator)



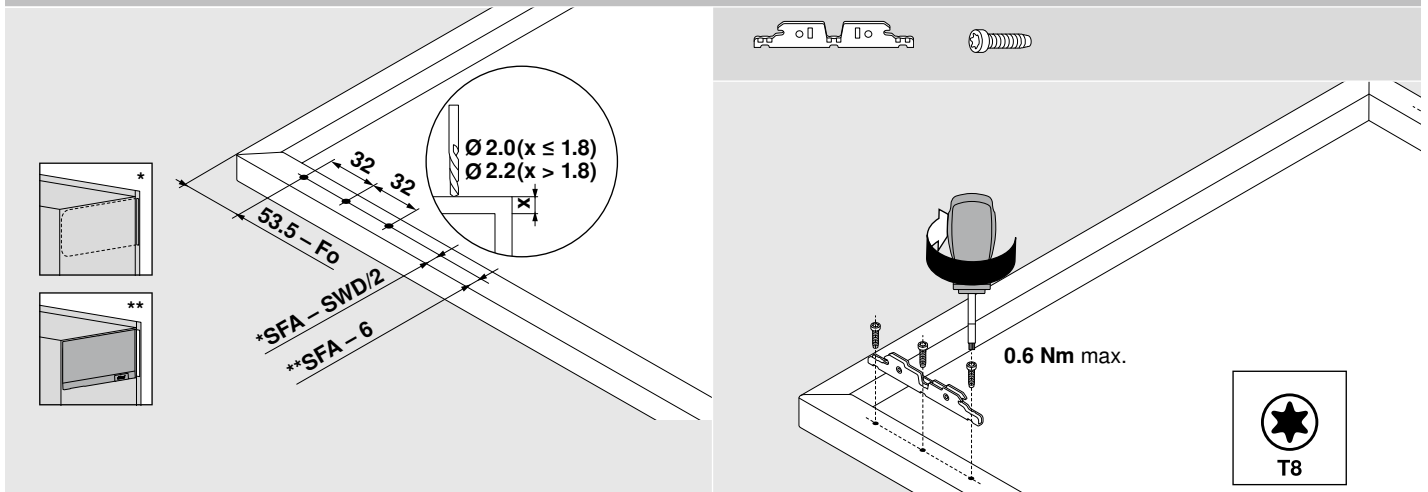
Planning

Front Assembly

Wooden doors



Wide and narrow aluminum frames

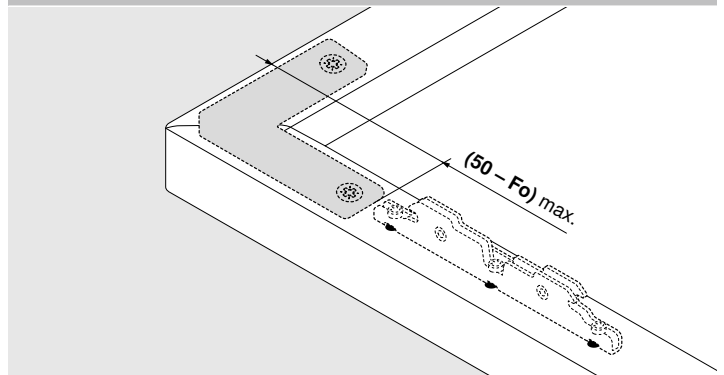


Fo = Top reveal

SFA = Side door overlay

SWD = Cabinet side panel thickness

Corner connector for narrow and wide aluminum frames



Planning

Crown Molding

**Space requirement – Cornice | Crown molding**

**Space requirement (mm)**

At maximum opening angle

$Y \text{ max} = FH \times 0.29 - 32 + FD$

FD (mm)	16	18	19	20	22	26
Z (mm)	70	63	59	57	49	35

**Minimum reveal**

Minimum reveal 2 mm

- SOB = Top panel thickness
- FD = Door thickness
- FH = Door height
- OW = Opening angle



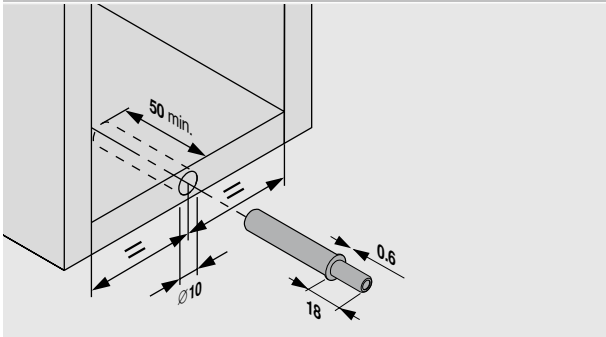
Our EASY ASSEMBLY app provides all the information you need for quick and easy installation and adjustment

[www.blum.com/eaapp](http://www.blum.com/eaapp)

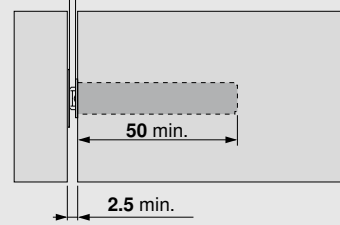
**Planning**

**TIP-ON - Drilling Position**

**TIP-ON for drilling fixing position - standard doors**

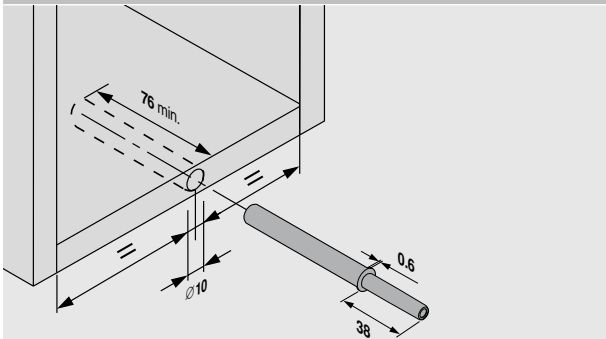


Specifications

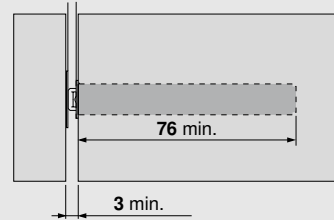


For stay lifts up to and including a height of 400 mm (15-3/4")

**TIP-ON for drilling fixing position - large doors**



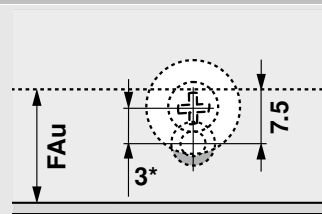
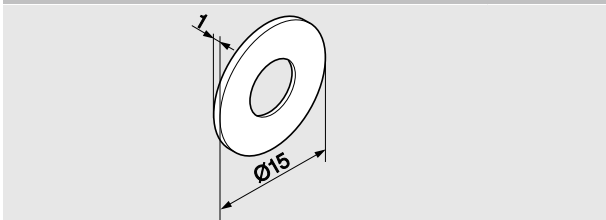
Specifications



For stay lifts greater than a height of 400 mm (15-3/4")

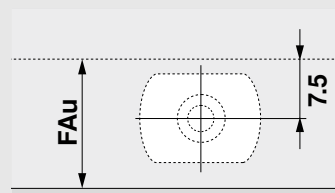
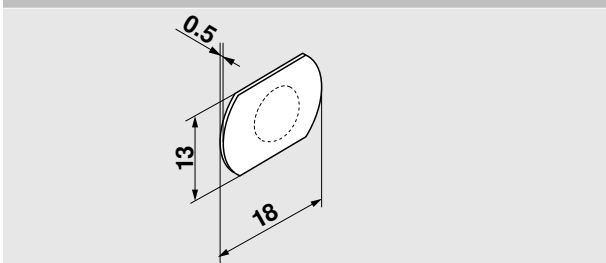
**TIP-ON - Installation Dimension Catch Plate**

**Screw-on catch plate**



\* We recommend off-setting the positioning of TIP-ON by 3 mm for the screw-on catch plate.

**Self-adhesive**



FAu = Bottom door overlay

# Insert, Secure, Clip On

The installation of AVENTOS HKi is made simple with a lift mechanism that's secured into the cabinet side with the turn of a screw. Clip on the door and use the three-dimensional adjustment feature to produce perfect gap alignment.



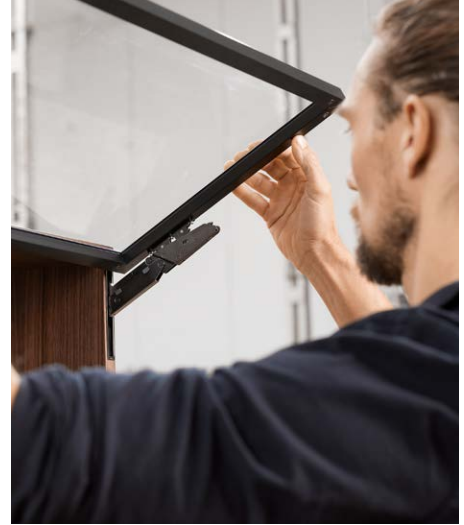
## Press-fit Connection

Slide the lift mechanism completely into the recess, and turn the screw until it's pressed into the cabinet.



## Release

Release the transportation lock over the CLIP mechanism.



## Clip On

Easily clip on the door.



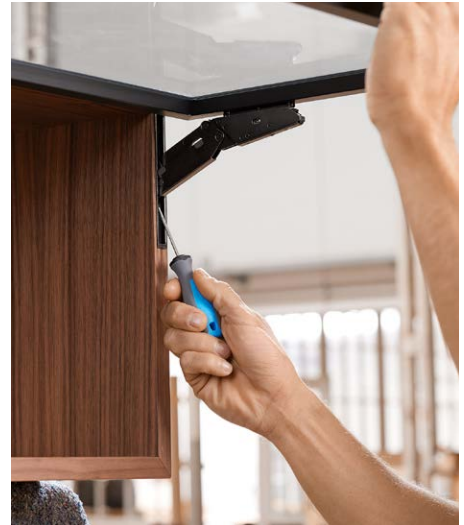
## Lift Mechanism Adjustment

From the front, adjust the lift mechanism precisely to the weight of the door, preferably with a cordless screwdriver.



## Three-dimensional Adjustment

Use TORX screws to adjust the gap layout three-dimensionally.



## Integrated Opening Angle Stop

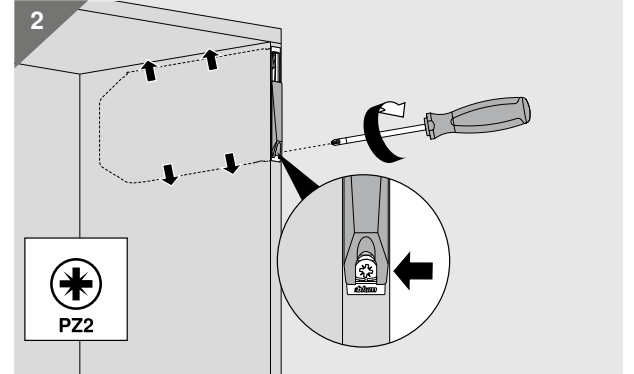
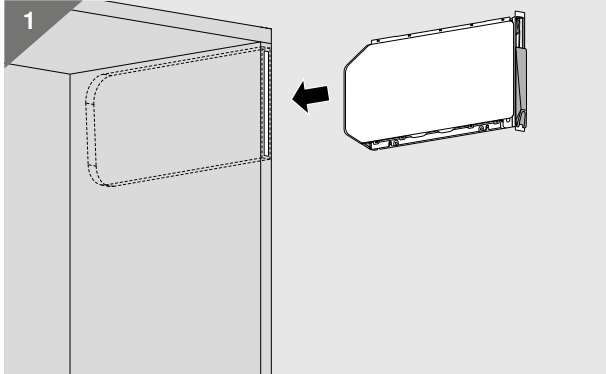
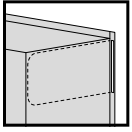
The integrated opening angle stop allows you to adjust how far the door should open.



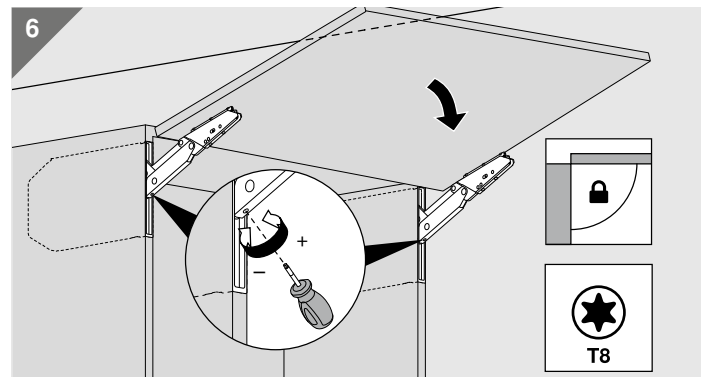
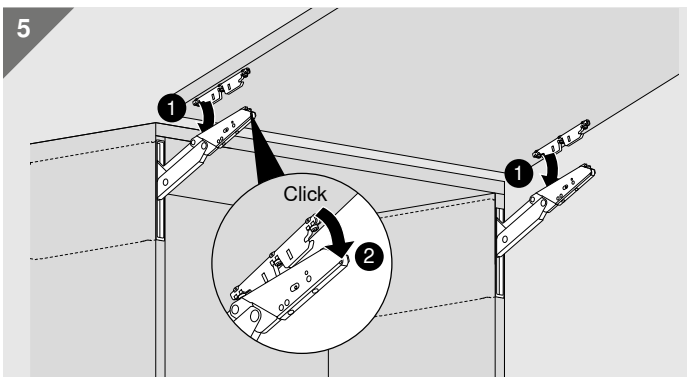
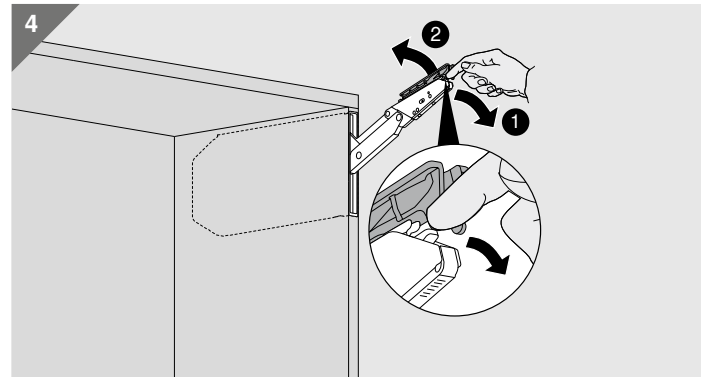
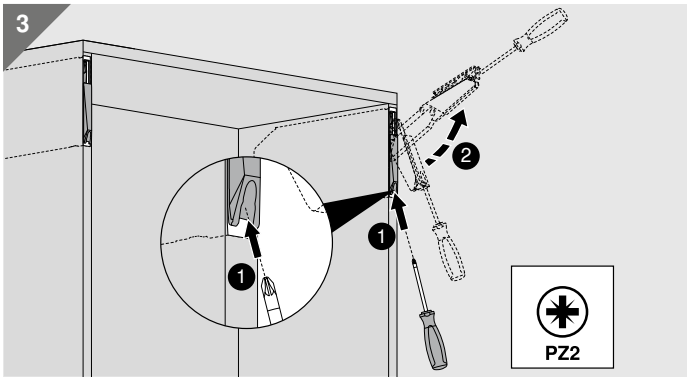
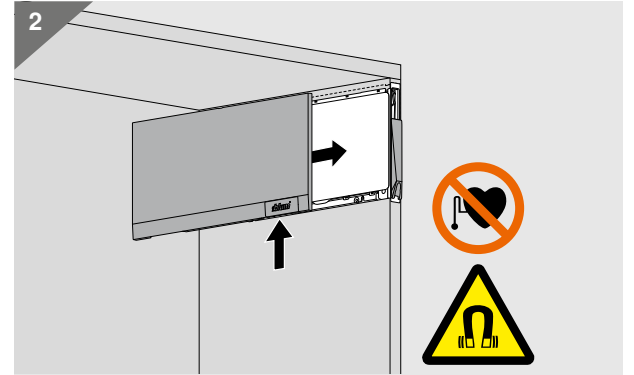
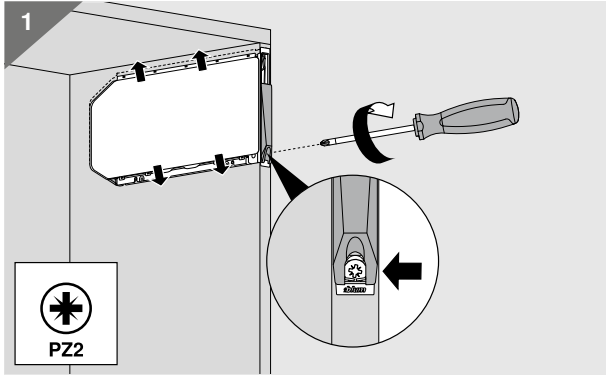
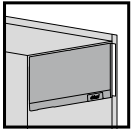
AVENTOS HKi  
Assembly and Adjustment Videos

**Assembly**

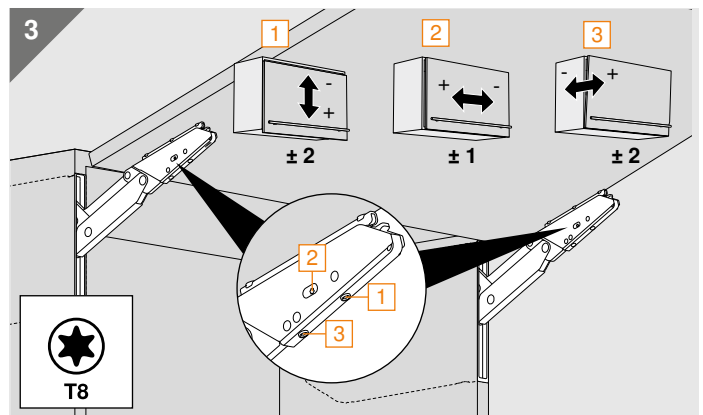
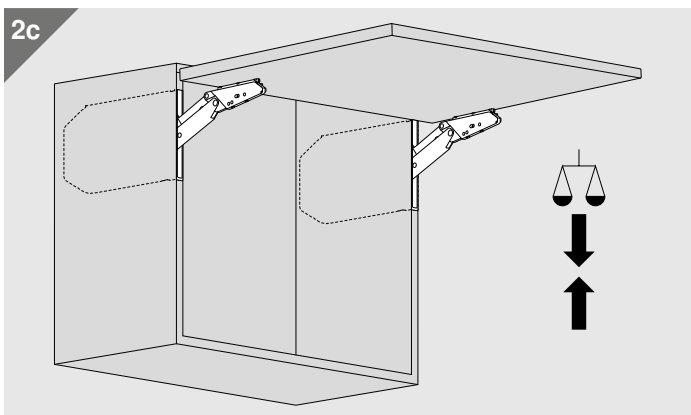
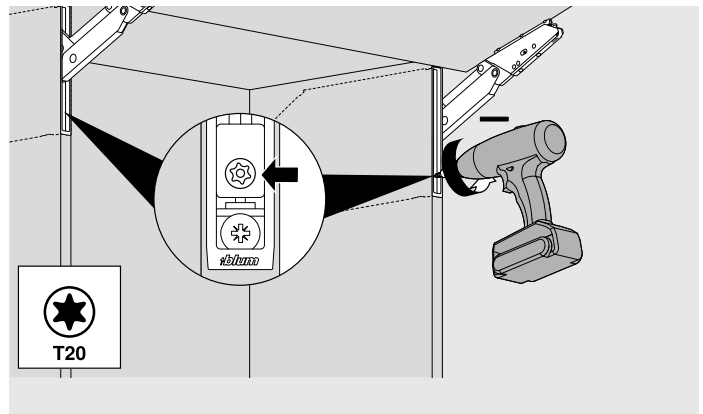
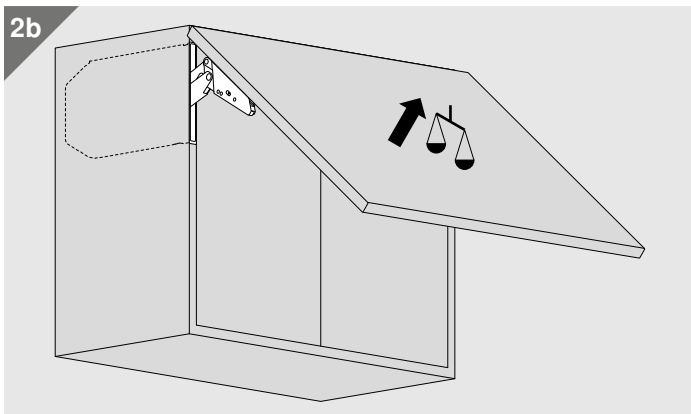
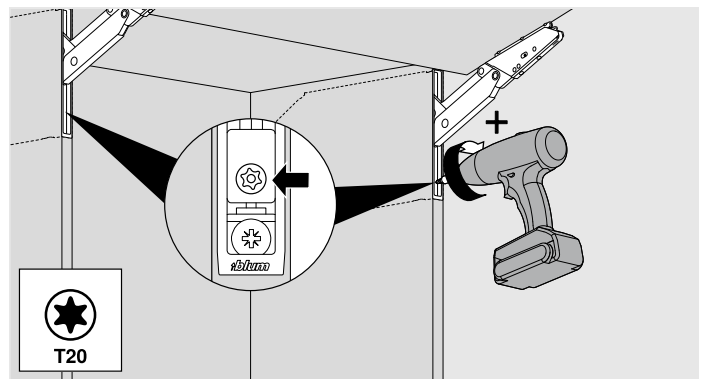
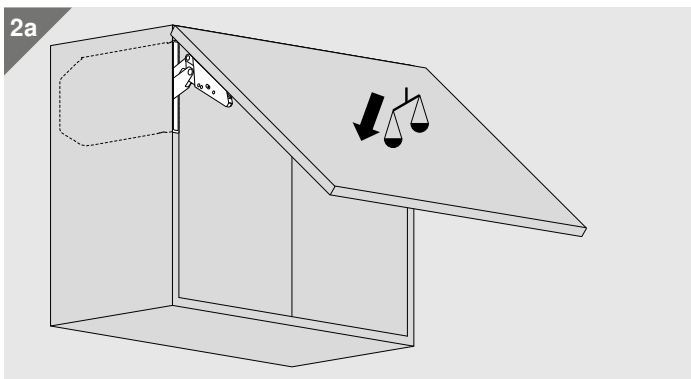
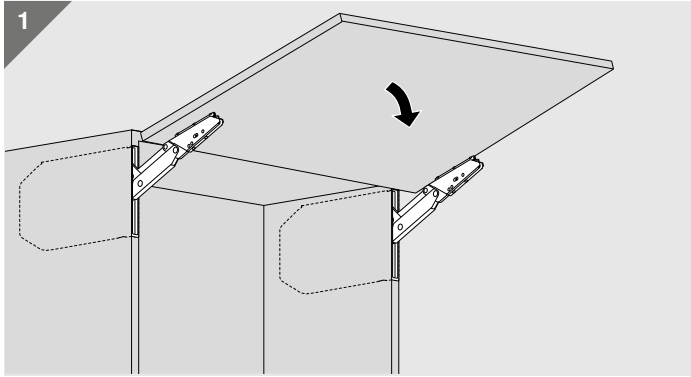
**Fully Integrated**



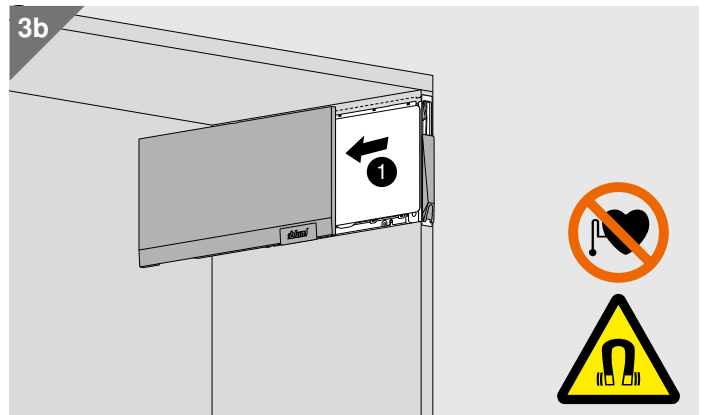
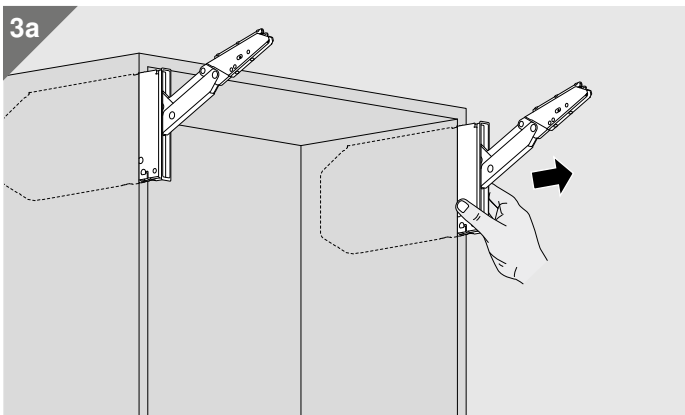
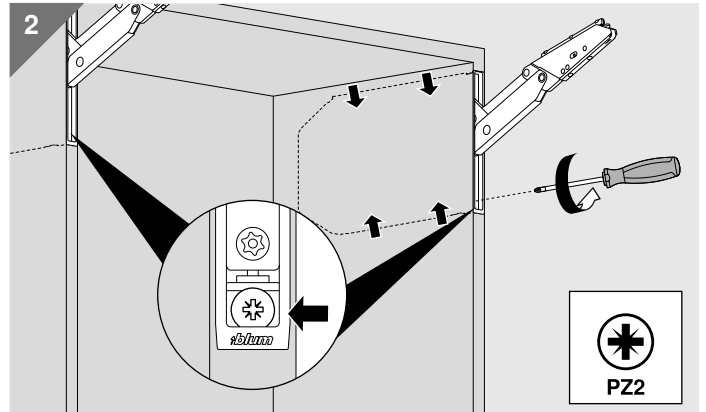
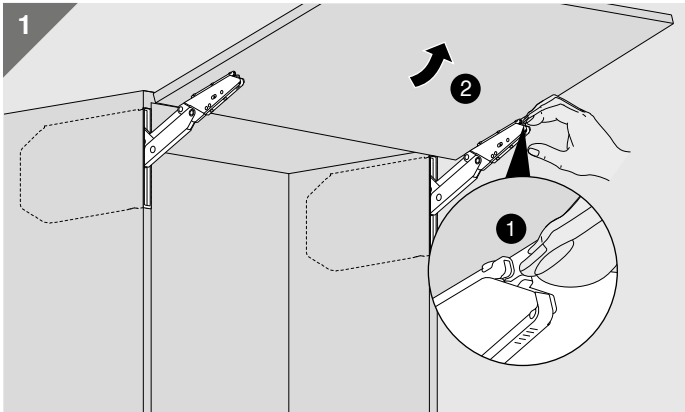
**Semi-Integrated**



### Adjustment



**Removal**



**Assembly Aids**

**TORX DRIVER**

- For AVENTOS HKi and top adjustments
- TORX size 20 (T20)
- Blade length 100 mm
- Total length 210 mm



Part no.

T20 TORX DRIVER

**TORX DRIVER**

**T8 TORX DRIVER**

- For AVENTOS HKi door adjustments
- TORX size 8 (T8)
- Blade length 60 mm



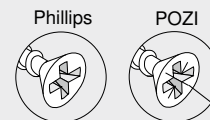
Part no.

T8 TORX DRIVER

**SR-DREH TX8**

**POZI DRIVER**

A POZI screwdriver (different from Phillips) is the most crucial tool you can use to assure that full torque is applied to all Blum mounting screws. POZI screws can be identified by the distinctive "tick" marks located in the center of the screwhead recess.



Tick marks

Part no.



#2 POZI DRIVER

**POZI DRIVER**

1/4" Magnetic bit holder

**BIT HOLDER**

T20 x 2" TORX bit insert

**TORX BIT T20X2**

#2 x 2" POZI bit insert

**POZI BIT #2X2**

# Our services at a glance

Our services support you throughout your entire process – from planning and design, all the way through to manufacturing. Take advantage of our tried-and-tested and user-friendly services for your projects with AVENTOS HKI.



## Planning, design, quoting

Product Database offers specific product details, photos and CAD data. Our Product Configurator provides you with checked and complete parts lists specifically for your application.



## Ordering

To make it easy to order your AVENTOS HKI configuration, you can manage your different projects and order lists with ease under “My Projects” and “My Order Lists.”



## Manufacturing

CAM data can be downloaded from the Product Configurator to assist you during the cabinet manufacturing process. Have a Blum EASYSTICK? Transfer BXF files from the Product Configurator directly to your machine.



## Assembly, installation

Download our EASY ASSEMBLY app for quick access to assembly and installation instruction sheets and videos. The easy-to-use interface allows you to filter by product type. Save your most-used products to your favorites to find the information again quickly.



## Marketing

Using our free Marketing Media Library, you can find photos, videos and logos to assist you in your own marketing efforts.



Sign up now for a free E-SERVICES account.  
[e-services.blum.com](https://e-services.blum.com)



Find out more about our E-SERVICES:  
[blum.com/e-services](https://blum.com/e-services)







# moving ideas

At Blum, we pay attention to those small, but valuable, details. We're attentive in everything we do. With our carefully engineered hardware, innovative motion technologies and customized services, we help move your ideas forward. Let's move the world together.



## Quality of living

We engineer our products with your lifetime in mind. As your mobility needs change, Blum hardware keeps your cabinets accessible.



## Product range

Everything from a single source: Our wide range of products allows you to keep up with the trends of today and tomorrow.



## Inspiration

We monitor global trends and strive to create the solutions of tomorrow. We like to share our insights with you.



## Innovation

We stay in motion. Our curiosity and pioneering spirit drive us to develop new products and services for you.



## Services

We support your daily operations with customized services tailored to your processes.



## Quality

We continuously strive to improve our products, services and ourselves.



## Trust

It's our goal to build lasting relationships with our customers, employees and in our community.

Julius Blum started our journey in 1952 with horseshoe studs. Today we supply innovative hardware to customers in over 120 countries.

Please visit [blum.com](http://blum.com) for information on other Blum products  
LIT:HK11000.03.24 Ident: 08933867 © 2024 Blum, Inc.

Blum, Inc.  
7733 Old Plank Rd.  
Stanley, NC 28164  
800-438-6788  
[blum.com](http://blum.com)

