

MERIVOBX

Modular Metal Drawer System



Let's Create – The Box Platform For Your Ideas





4	Design and Features
6	Testing Standards
8	Using the Catalog
9	Drawer Assembly and Removal
10	Adjustments and Program Overview
12	M Height Drawer
16	E Height with Single Gallery
20	E Height with BOXCOVER
24	E Height with BOXCAP
28	M Height Interior Roll-out
32	E Height Interior Roll-out
36	Wraparound Sink Drawer - M Height
40	Wraparound Sink Drawer - E Height
46	Accessories
50	Assembly Aids
54	Machines
57	Part Number Index

Innovation Drivers





Assembly

No matter which MERIVOBX option you choose, it can be assembled quickly and easily because of the consistent platform concept. What's more, the adjustments are clearly labeled and easily accessible.

Platform

At the heart of MERIVOBX is the cabinet profile with the same installation for all applications. No matter which option you choose, the front and front fixing brackets are always the same, making it a true platform that reduces complexity and increases variety.

Design

MERIVOBX is unique thanks to its distinctive drawer side design and unmistakable look. Available in two colors, indium gray and silk white, you can create your own diverse range of cabinetry using MERIVOBX.

Functionality

The innovative shape of the cabinet profile makes MERIVOBX incredibly stable - even when fully loaded. The high load capacity coupled with the feather-light glide makes accessing storage goods a breeze!



High Quality and Performance Ensured

Drawer runners for the MERIVOBX system have undergone a variety of load-bearing and pressure tests to verify that their performance remains consistent throughout the life cycle of the product. Along with Blum's own rigorous testing standards, MERIVOBX runners also meet or exceed ANSI/BHMA 156.9 grade 1 requirements.

Blum's Testing Standards

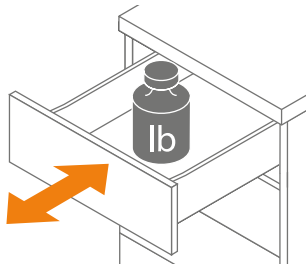
Blum, Inc. is ISO 9001 certified, which means that you are assured of consistent quality in every Blum product. All Blum runners must pass these tests without showing a measurable reduction in performance or deviation in adjustment position. Testing standards vary between products and applications.

All Blum runners meet or exceed ANSI/BHMA 156.9 grade 1 requirements. Contact your local Blum representative for more details.

ANSI/BHMA Testing Standards

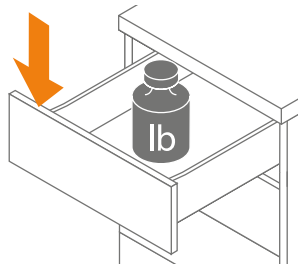
What is shown in the brochure is based on ANSI/BHMA standards.

- 125 lb static, 110 lb dynamic for MERIVOBX 450 series
- 170 lb static, 155 lb dynamic for MERIVOBX 453 series



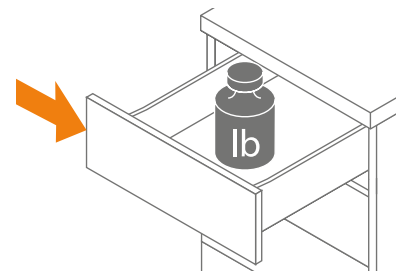
Dynamic Wear Test

100,000 open/close cycles with a total load of 125 lb on MERIVOBX 450 and 170 lb on MERIVOBX 453 550 (22") drawers.



Static Load Test

10 times for 10 seconds each time when completely extended, 66 lb is applied to the corner of the drawer front of a fully loaded drawer.



Side Pressure Test

10 times for 10 seconds each time when completely extended, 44 lb is applied to the side of the drawer front of a fully loaded drawer.

General Information

All Blum hardware undergoes strict quality control procedures through all stages of production. Blum hardware is designed for cabinets and cabinet components made from wood, melamine or MDF. Careful attention must be paid to installation and operating instructions when using Blum hardware (see catalogs and instruction sheets for all technical information). The manufacturer must decide on the screws or attachment methods to suit the material being used (i.e. wood, melamine, etc.). The hardware must not be exposed to acidic or corrosive materials (i.e. some household cleaning solutions). To ensure that Blum hardware functions correctly, it must be kept clean and undamaged. For any additional information please contact your Blum representative. Anyone selling Blum hardware must ensure that their customer is aware of any relevant information given in this catalog. Care and cleaning – use a clean, damp cloth.

Conditions of Sale and Delivery


All deliveries and services are based on the “general conditions of sale” which are available upon request. The technical presentations and dimensions in illustrations are non-binding. We reserve the right to make changes to specifications at any time. We do not accept any responsibility for any errors which may occur in the production of this catalog. Contact your local Blum representative for more details.

Application Page

Provides details of the application and an overview of the parts that make up the drawer

blum MERIVOBOX | E Height with Single Gallery

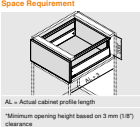
Product



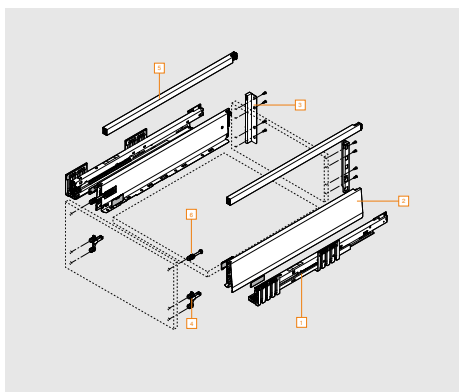
Description

- Full extension drawer system with soft-close BLUMOTION
- Smooth running action
- Three-dimensional drawer front adjustment
- Static load capacity of 125 lb and 170 lb
- Drawer profile height 192 mm (7-9/16")
- Compatible with SERVO-DRIVE

Space Requirement



AL = Actual cabinet profile length
*Minimum opening height based on 3 mm (1/8") clearance



16 © 2024 Blum, Inc. Subject to technical modifications without notice

Required Parts

Contains all necessary components with part numbers listed to order the drawer

blum MERIVOBOX | Required Parts

Ordering Information

Cabinet and drawer profile sets

Set includes:

- Left and right profile
- Drawer profile includes color coordinated cover cap
- Specify color when ordering: Indium gray (IG-M) or Silk white (SW-M)

Nominal length	Actual cabinet profile length	125 lb	170 lb	IG-M	SW-M
11"	270 mm (10-5/8")	425.2702		478M1002	
14"	350 mm (13-3/4")	425.3502		478M1302	
16"	400 mm (15-3/4")	425.4002		478M1602	
18"	450 mm (17-11/16")	425.4502	433.4502	478M1802	478M1802
20"	500 mm (19-11/16")	425.5002	433.5002	478M2002	478M2002
22"	550 mm (21-5/8")	425.5502	433.5502	478M2202	478M2202
24"	600 mm (23-5/8")	425.6002	433.6002	478M2402	478M2402
Installation wood screw		624.5002	624.5002		
Installation system screw		621.1002.002	621.1002.002		

Rear fixing bracket set

Set includes:

- Left and right bracket
- Height E
- Material: Steel
- Specify color when ordering: Indium gray (IG-M) or Silk white (SW-M)

	IG-M	SW-M
Part no.	28.60025	
Installation screw	61270	

Top gallery rail set

Set includes:

- Left and right gallery rail
- Specify color when ordering: Indium gray (IG-M) or Silk white (SW-M)

Front fixing bracket

Set includes:

- Two brackets required per drawer

Actual cabinet profile length	IG-M	SW-M
270 mm (10-5/8")	ZFA.2702.E	
350 mm (13-3/4")	ZFA.3502.E	
400 mm (15-3/4")	ZFA.4002.E	
450 mm (17-11/16")	ZFA.4502.E	
500 mm (19-11/16")	ZFA.5002.E	
550 mm (21-5/8")	ZFA.5502.E	
600 mm (23-5/8")	ZFA.6002.E	

Part no. ZFA.192, ZFA.192Z
Screw on*
*Screws not included

Top front fixing bracket

Set includes:

- Two brackets required per drawer

	Part no.
INSERTA	ZFA.502
Screw on - pre-assembled chipboard screw Ø 3.8 x 11.4 mm	ZFA.502Z

Dimensions in millimeters (inch equivalents as noted) © 2024 Blum, Inc. 17

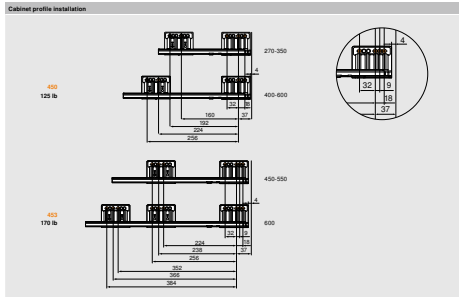
Installation Dimensions

Cabinet profile installation and cutting dimensions for the bottom and back of the drawer

blum MERIVOBOX | E Height with Single Gallery

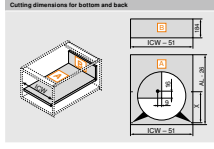
Planning

Cabinet profile installation



NOTE: The orange dots indicate fixing screw locations required to meet specified load ratings

Cutting dimensions for bottom and back



Position of drawer base drill hole

AL	X
270 mm	128 mm
> 350 mm	256 mm

ICW = inside cabinet width
AL = Actual cabinet profile length

16 © 2024 Blum, Inc. Subject to technical modifications without notice

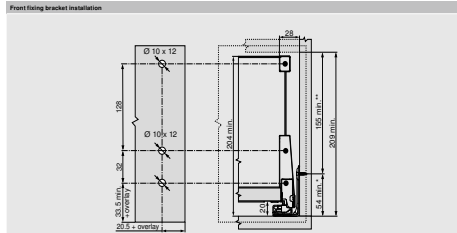
Specifications

Front and rear fixing bracket installation specifications

blum MERIVOBOX | Specifications

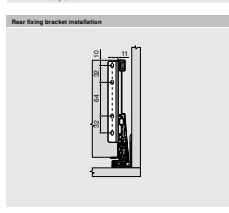
Planning

Front fixing bracket installation



*1 mm if cabinet profile is installed before cabinet is assembled
**incl. 2 mm Ø1 adjustment

Rear fixing bracket installation



Dimensions in millimeters (inch equivalents as noted) © 2024 Blum, Inc. 19

Step 1

Measure inside cabinet width (ICW)

Use inside cabinet width (ICW) to calculate the drawer bottom and back dimensions. Formulas are found on the specification page of each application.

M Height example:

Drawer bottom: Width = ICW minus 51 mm (2")

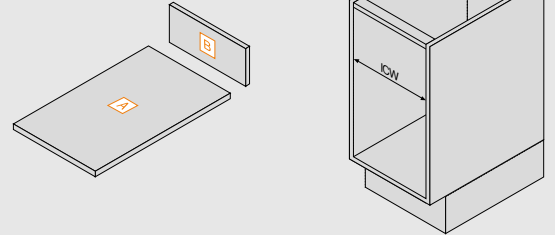
A Length = Actual cabinet profile length minus 26 mm (1")

Drawer back: Width = ICW minus 51 mm (2")

B Height = 83 mm (3-1/4")

For best assembly results, use BOXFIX E-M.

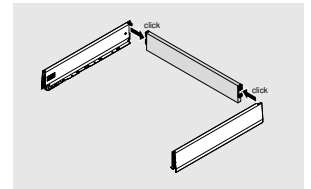
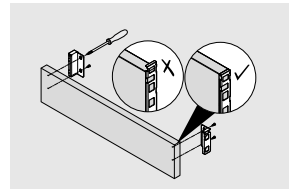
Use 16 mm (5/8") material for drawer bottom and back



Step 2

Attach drawer back

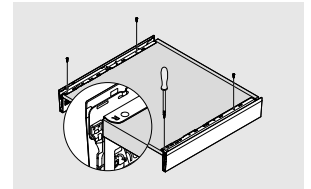
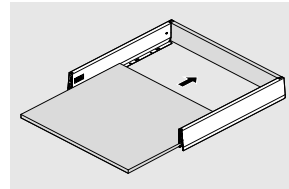
Rear fixing brackets are attached with #6 x 1/2" truss head screws (612TH). The drawer back, with rear fixing brackets attached, snaps into the rear of both drawer profiles.



Step 3

Drawer bottom installation

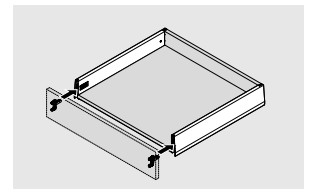
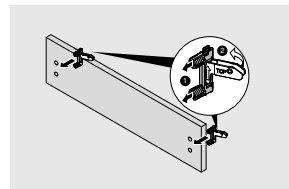
The drawer bottom slides into the drawer profiles. Push the drawer bottom flush with the front of the drawer. Pre-bore and attach with wood screws (612TH).



Step 4

Attach drawer front

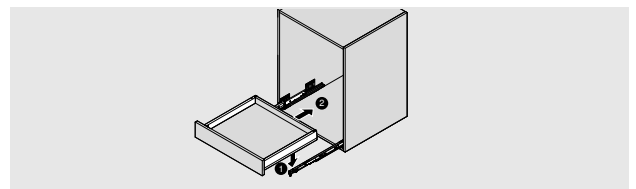
Follow the installation drawing for locating hole positions for front fixing brackets and pre-bore the necessary INSERTA Ø10 x 12 mm holes (screw-on versions also available). Insert front fixing brackets into pre-bored holes and screw as shown to secure. Snap drawer front onto drawer.



Step 5

Drawer box installation

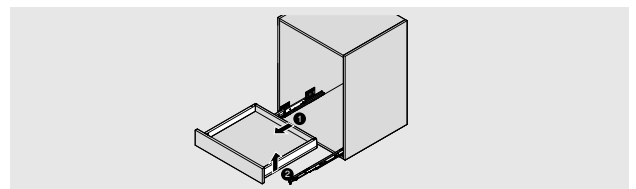
Place drawer box onto cabinet profiles and insert drawer box into cabinet.



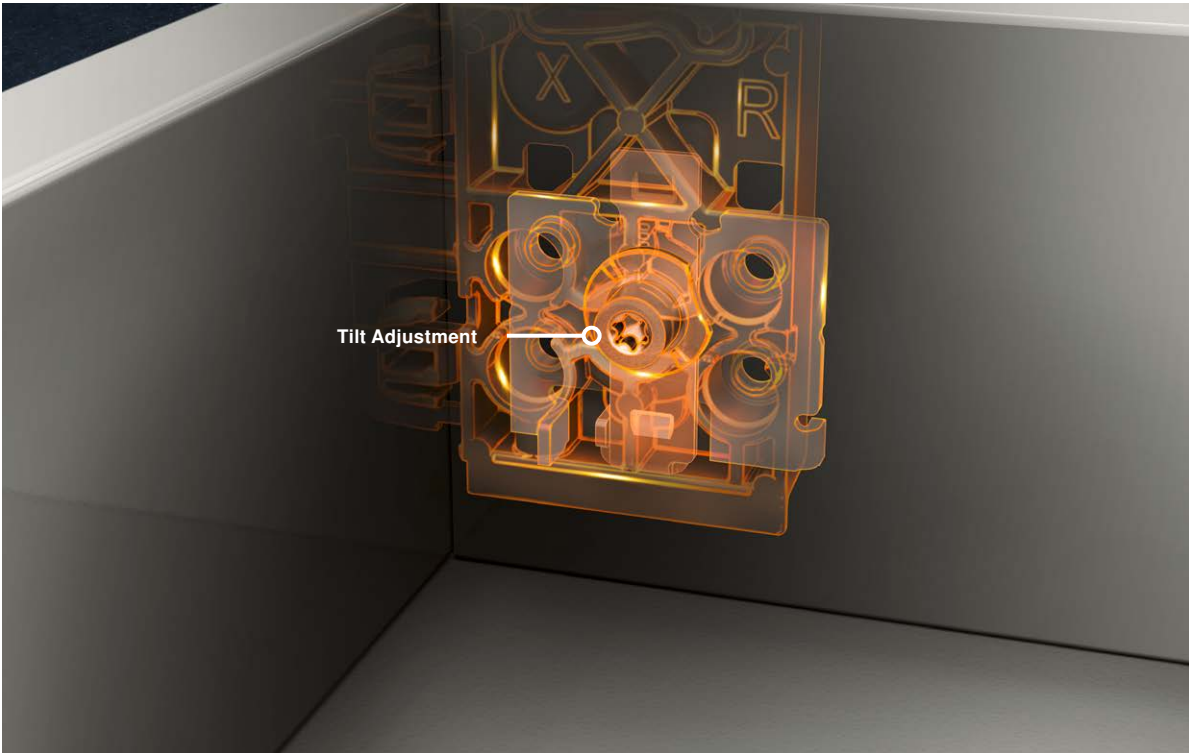
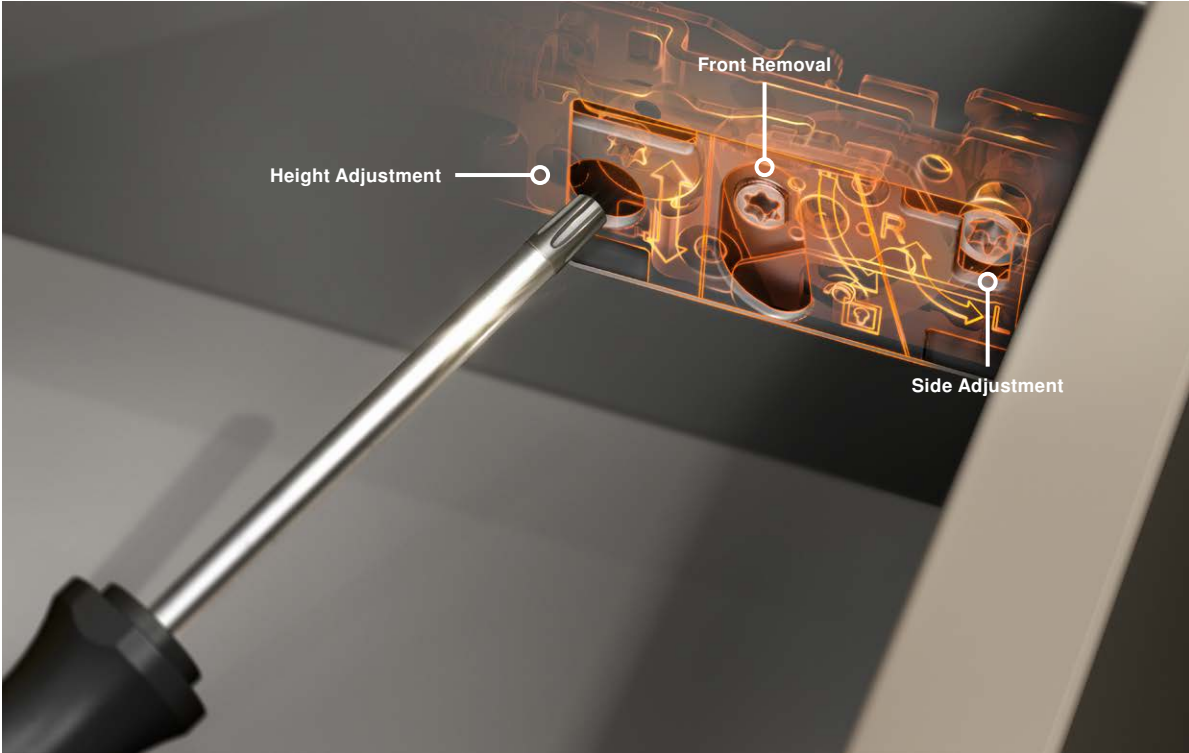
Drawer Removal

Drawer box removal

Extend the drawer all the way forward. Lift up and pull out until you feel the drawer release from the cabinet profile.



One of the many benefits of the MERIVOBX system is the fully integrated, three-dimensional adjustment mechanism. Height and side adjustments can be made easily on the inside of the drawer profile, beneath the cover cap, and the tilt adjustment is located at the rear of the profile. All adjustments are made using a T20 TORX driver (see page 46).



M Height Drawer



M Height
91 mm (3 -9/16")

E Height Drawer



E Height with Single Gallery
192 mm (7-9/16")



E Height with BOXCOVER
192 mm (7-9/16")



E Height with BOXCAP
192 mm (7-9/16")

Interior Roll-out

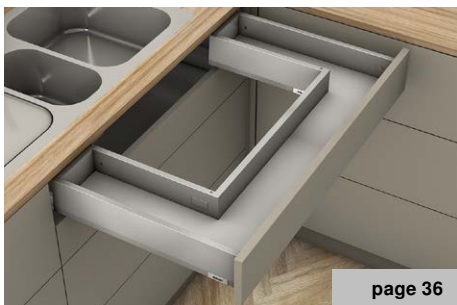


M Height Interior Roll-out
91 mm (3 -9/16")



E Height Interior Roll-out
192 mm (7-9/16")

Wraparound Sink Drawer



Wraparound Sink Drawer - M Height
91 mm (3 -9/16")



Wraparound Sink Drawer - E Height
192 mm (7-9/16")

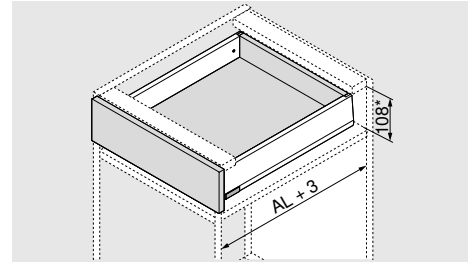
Product



Description

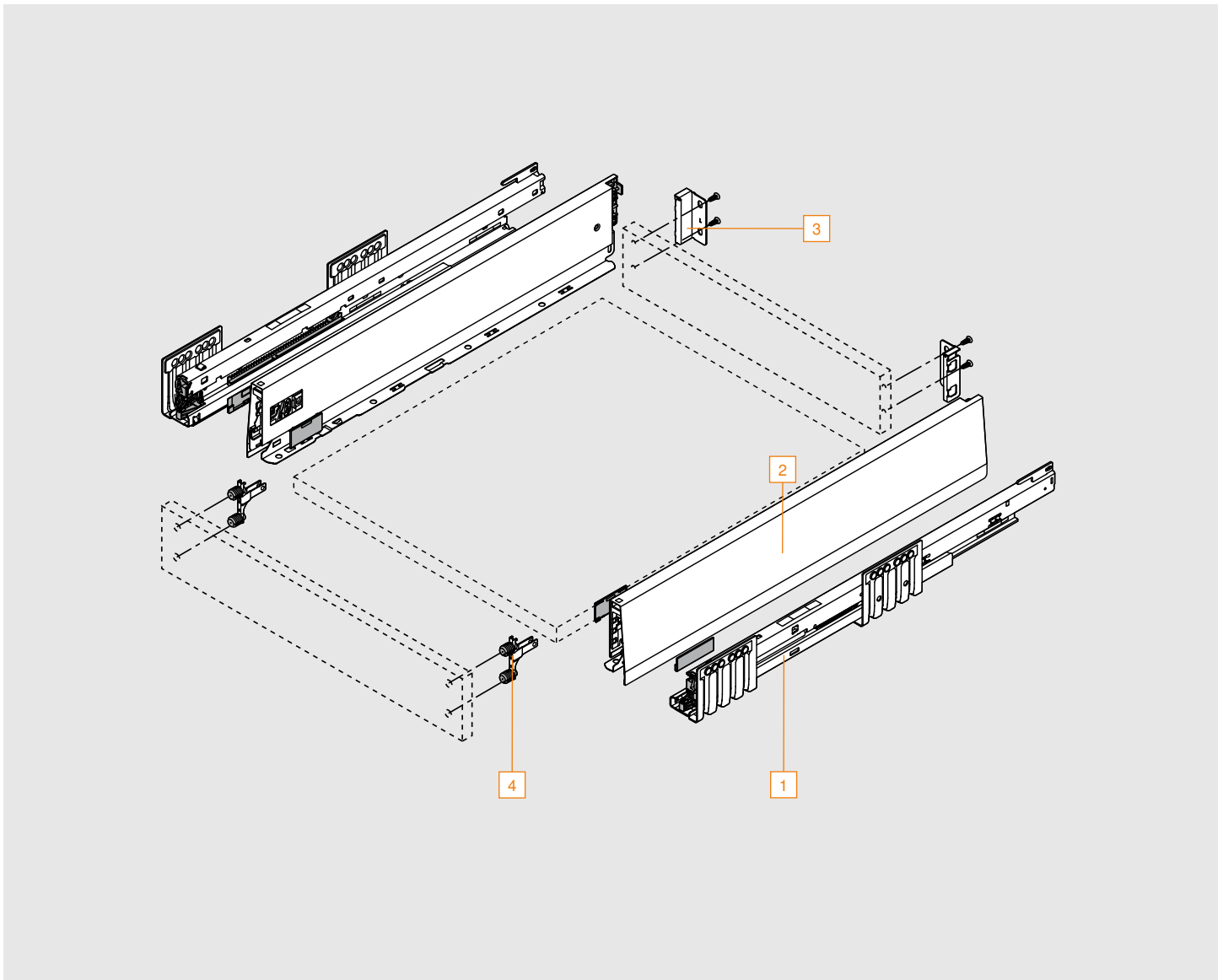
- Full extension drawer system with soft-close BLUMOTION
- Smooth running action
- Three-dimensional drawer front adjustment
- Static load capacity of 125 lb and 170 lb
- Drawer profile height 91 mm (3 -9/16")
- Compatible with SERVO-DRIVE

Space Requirement

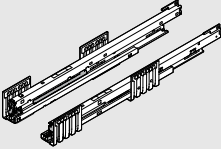
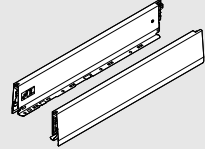


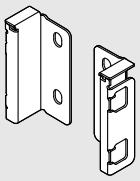
AL = Actual cabinet profile length

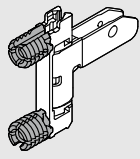
*Minimum opening height based on 3 mm (1/8") clearance



Ordering Information

Cabinet and drawer profile sets					
Sets include: <ul style="list-style-type: none"> Left and right profile Drawer profiles include color coordinated cover cap Specify color when ordering indium gray (IG-M) or silk white (SW-M) 		1 Cabinet profile 		2 Drawer profile 	
		Nominal length	Actual cabinet profile length	125 lb	170 lb
11"	270 mm (10-5/8")	450.2701B		470M2702S	
14"	350 mm (13-3/4")	450.3501B		470M3502S	
16"	400 mm (15-3/4")	450.4001B		470M4002S	
18"	450 mm (17-11/16")	450.4501B	453.4501B	470M4502S	
20"	500 mm (19-11/16")	450.5001B	453.5001B	470M5002S	
22"	550 mm (21-5/8")	450.5501B	453.5501B	470M5502S	
24"	600 mm (23-5/8")	450.6001B	453.6001B	470M6002S	
Installation wood screw		609.1500	609.1500		
Installation system screw		661.1450.HG	661.1450.HG		

Rear fixing bracket set							
3 	Set includes: <ul style="list-style-type: none"> Left and right bracket M Height Material: Steel Specify color when ordering indium gray (IG-M) or silk white (SW-M) 	Part no.					
	<table border="1"> <thead> <tr> <th>IG-M</th> <th>SW-M</th> <th>Part no.</th> </tr> </thead> <tbody> <tr> <td></td> <td></td> <td>ZB4M000S</td> </tr> </tbody> </table>	IG-M	SW-M	Part no.			ZB4M000S
IG-M	SW-M	Part no.					
		ZB4M000S					
		612TH					

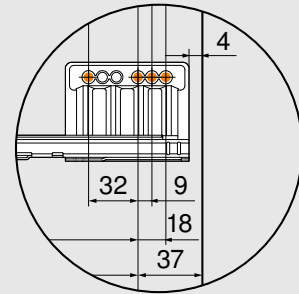
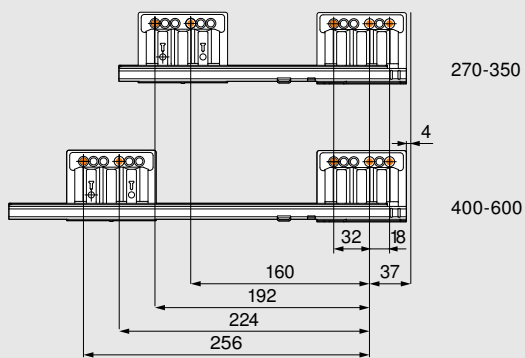
Front fixing bracket					
4 	<ul style="list-style-type: none"> Two brackets required per drawer 	Part no.			
	<table border="1"> <thead> <tr> <th>INSERTA</th> <th>Part no.</th> </tr> </thead> <tbody> <tr> <td></td> <td>ZF4.1012</td> </tr> </tbody> </table>	INSERTA	Part no.		ZF4.1012
INSERTA	Part no.				
	ZF4.1012				
		ZF4.1002			

*Screws not included

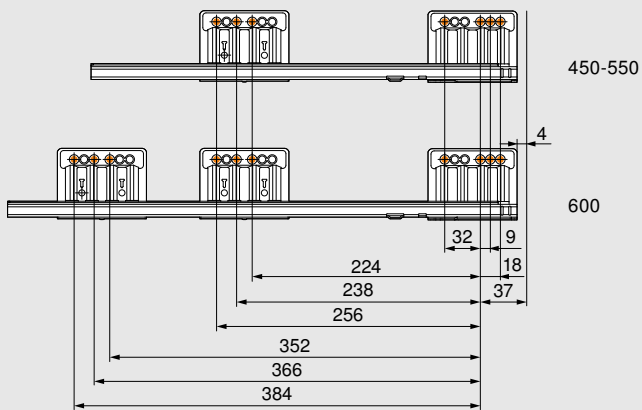
Planning

Cabinet profile installation

450
125 lb

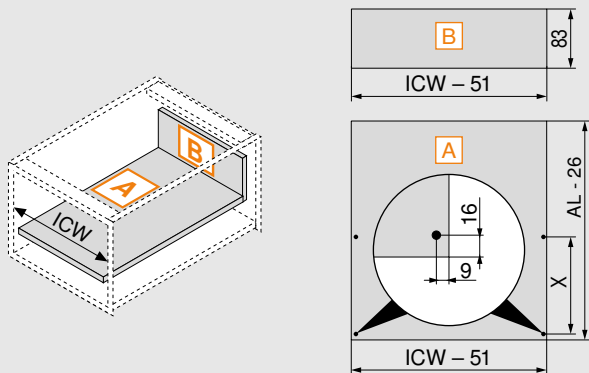


453
170 lb



NOTE: The orange dots indicate fixing screw locations required to meet specified load ratings

Cutting dimensions for bottom and back



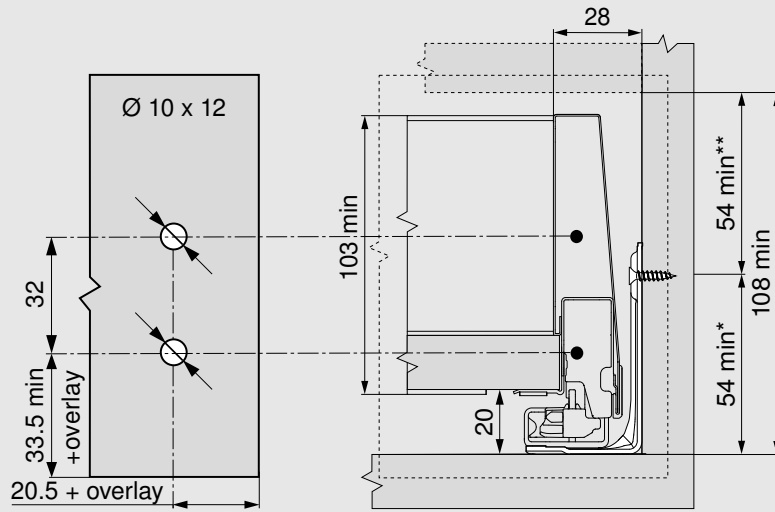
Position of drawer base drill hole

	AL	X
Pre-drilling possible when using a flat head screw	270 mm	128 mm
	> 350 mm	256 mm

ICW = Inside cabinet width

AL = Actual cabinet profile length

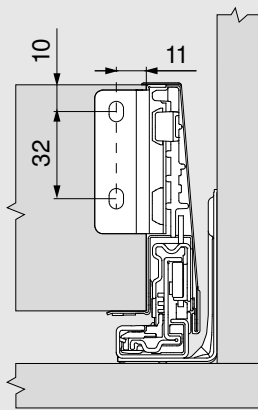
Front fixing bracket installation



*+ 1 mm if cabinet profile is installed before cabinet is assembled

**Incl. 2 mm tilt adjustment

Back installation dimensions



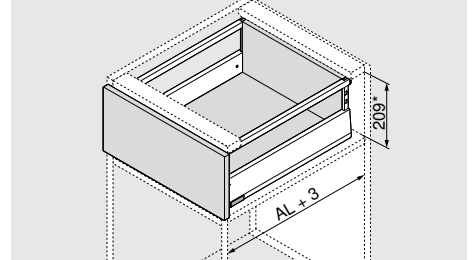
Product



Description

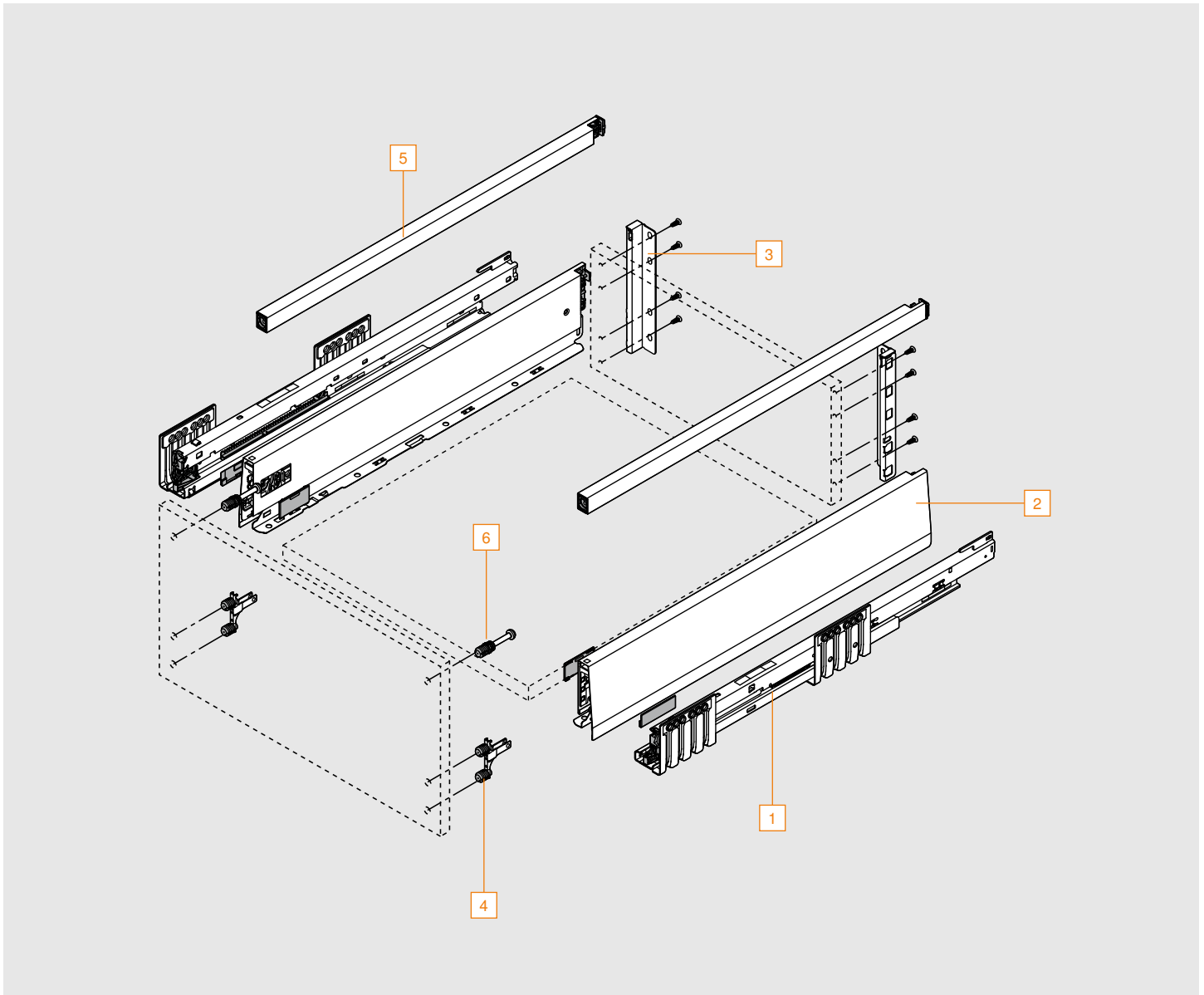
- Full extension drawer system with soft-close BLUMOTION
- Smooth running action
- Three-dimensional drawer front adjustment
- Static load capacity of 125 lb and 170 lb
- Drawer profile height 192 mm (7-9/16")
- Compatible with SERVO-DRIVE

Space Requirement

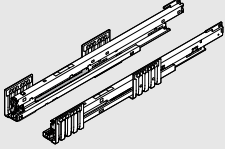
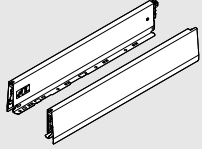


AL = Actual cabinet profile length

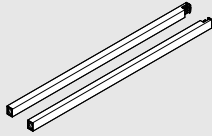
*Minimum opening height based on 3 mm (1/8") clearance

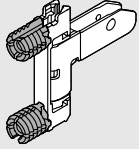


Ordering Information

Cabinet and drawer profile sets					
Sets include: <ul style="list-style-type: none"> Left and right profile Drawer profiles include color coordinated cover cap Specify color when ordering indium gray (IG-M) or silk white (SW-M) 		1 Cabinet profile 		2 Drawer profile 	
		Nominal length	Actual cabinet profile length	125 lb	170 lb
11"	270 mm (10-5/8")	450.2701B		470M2702S	
14"	350 mm (13-3/4")	450.3501B		470M3502S	
16"	400 mm (15-3/4")	450.4001B		470M4002S	
18"	450 mm (17-11/16")	450.4501B	453.4501B	470M4502S	
20"	500 mm (19-11/16")	450.5001B	453.5001B	470M5002S	
22"	550 mm (21-5/8")	450.5501B	453.5501B	470M5502S	
24"	600 mm (23-5/8")	450.6001B	453.6001B	470M6002S	
Installation wood screw		609.1500	609.1500		
Installation system screw		661.1450.HG	661.1450.HG		

Rear fixing bracket set							
3 	Set includes: <ul style="list-style-type: none"> Left and right bracket E Height Material: Steel Specify color when ordering indium gray (IG-M) or silk white (SW-M) 	Part no.					
	<table border="1"> <thead> <tr> <th>IG-M</th> <th>SW-M</th> <th>ZB4E000S</th> </tr> </thead> <tbody> <tr> <td colspan="2">Installation screw</td> <td>612TH</td> </tr> </tbody> </table>	IG-M	SW-M	ZB4E000S	Installation screw		612TH
IG-M	SW-M	ZB4E000S					
Installation screw		612TH					

Top gallery rail set		
5 	Set includes: <ul style="list-style-type: none"> Left and right gallery rail Specify color when ordering indium gray (IG-M) or silk white (SW-M) 	

Front fixing bracket					
4 	<ul style="list-style-type: none"> Two brackets required per drawer 	Part no.			
	<table border="1"> <tbody> <tr> <td>INSERTA</td> <td>ZF4.1012</td> </tr> <tr> <td>Screw-on*</td> <td>ZF4.1002</td> </tr> </tbody> </table>	INSERTA	ZF4.1012	Screw-on*	ZF4.1002
INSERTA	ZF4.1012				
Screw-on*	ZF4.1002				

*Screws not included

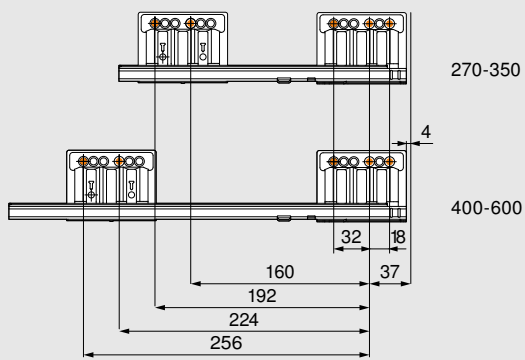
Actual cabinet profile length	IG-M	SW-M
270 mm (10-5/8")	ZR4.270RS.E	
350 mm (13-3/4")	ZR4.350RS.E	
400 mm (15-3/4")	ZR4.400RS.E	
450 mm (17-11/16")	ZR4.450RS.E	
500 mm (19-11/16")	ZR4.500RS.E	
550 mm (21-5/8")	ZR4.550RS.E	
600 mm (23-5/8")	ZR4.600RS.E	

Top front fixing bracket					
6 	<ul style="list-style-type: none"> Two brackets required per drawer 	Part no.			
	<table border="1"> <tbody> <tr> <td>INSERTA</td> <td>ZF4.5012</td> </tr> <tr> <td>Screw-on – pre-assembled chipboard screw Ø3.8 x 11.4 mm</td> <td>ZF4.5002</td> </tr> </tbody> </table>	INSERTA	ZF4.5012	Screw-on – pre-assembled chipboard screw Ø3.8 x 11.4 mm	ZF4.5002
INSERTA	ZF4.5012				
Screw-on – pre-assembled chipboard screw Ø3.8 x 11.4 mm	ZF4.5002				

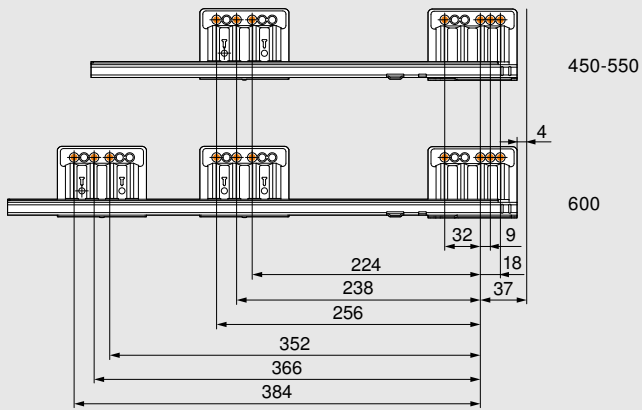
Planning

Cabinet profile installation

450
125 lb

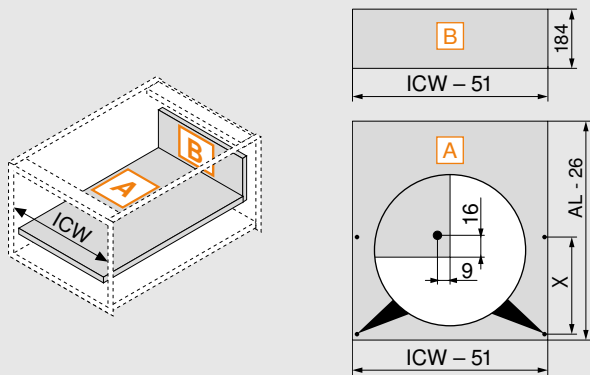


453
170 lb



NOTE: The orange dots indicate fixing screw locations required to meet specified load ratings

Cutting dimensions for bottom and back



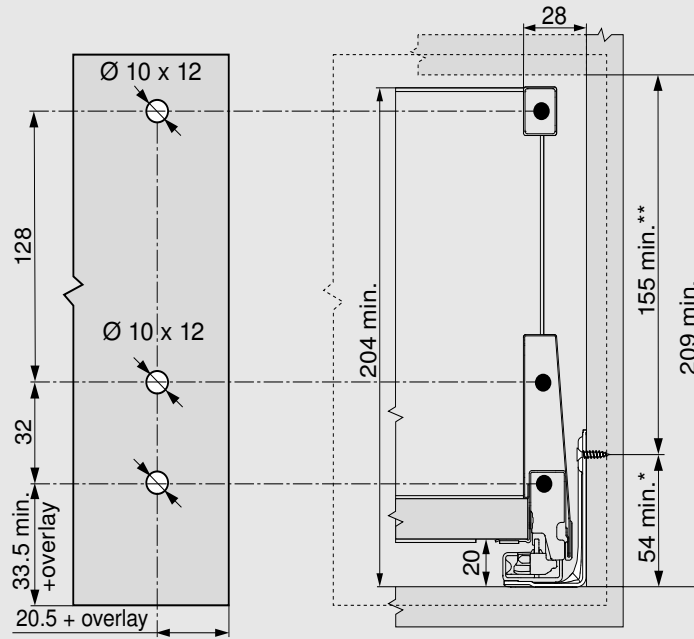
Position of drawer base drill hole

Pre-drilling possible when using a flat head screw	AL	X
	270 mm	128 mm
> 350 mm	256 mm	

ICW = Inside cabinet width
AL = Actual cabinet profile length

Planning

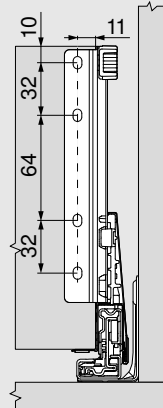
Front fixing bracket installation



*+ 1 mm if cabinet profile is installed before cabinet is assembled

**Incl. 2 mm tilt adjustment

Rear fixing bracket installation



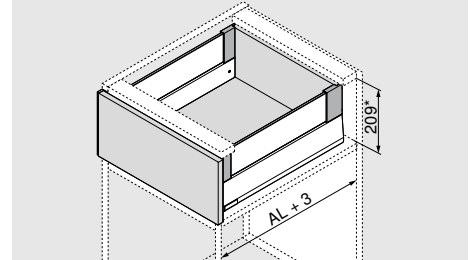
Product



Description

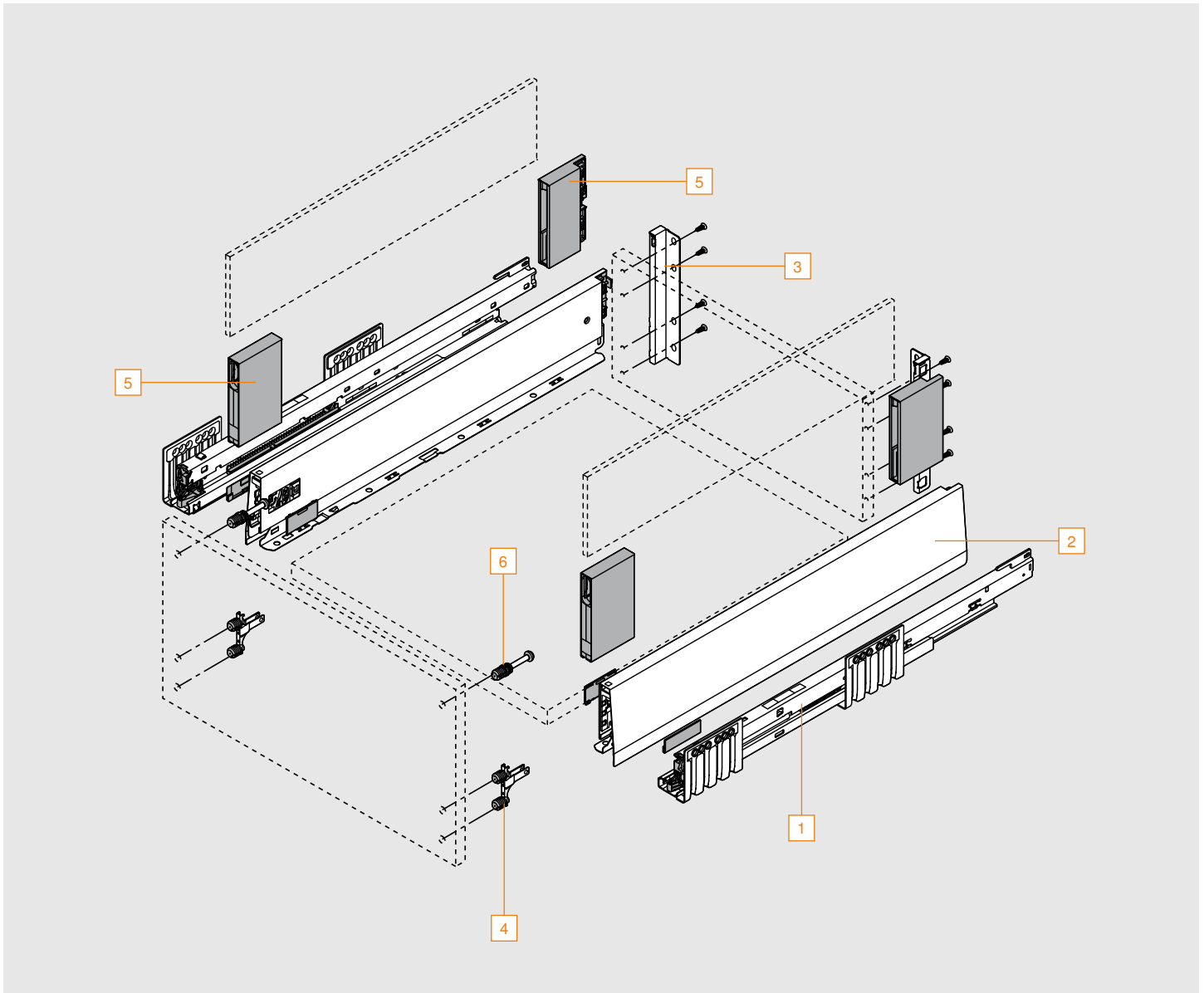
- Full extension drawer system with soft-close BLUMOTION
- Smooth running action
- Three-dimensional drawer front adjustment
- Static load capacity of 125 lb and 170 lb
- Drawer profile height 192 mm (7-9/16")
- Compatible with SERVO-DRIVE

Space Requirement

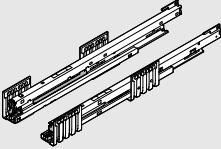
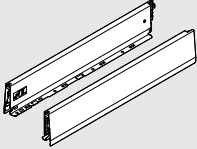



AL = Actual cabinet profile length

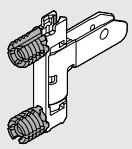
*Minimum opening height based on 3 mm (1/8") clearance



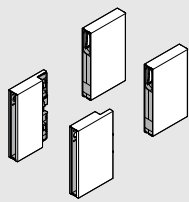
Ordering Information

Cabinet and drawer profile sets					
Sets include: <ul style="list-style-type: none"> Left and right profile Drawer profiles include color coordinated cover cap Specify color when ordering indium gray (IG-M) or silk white (SW-M) 		1 Cabinet profile 		2 Drawer profile 	
		Nominal length	Actual cabinet profile length	125 lb	170 lb
11"	270 mm (10-5/8")	450.2701B		470M2702S	
14"	350 mm (13-3/4")	450.3501B		470M3502S	
16"	400 mm (15-3/4")	450.4001B		470M4002S	
18"	450 mm (17-11/16")	450.4501B	453.4501B	470M4502S	
20"	500 mm (19-11/16")	450.5001B	453.5001B	470M5002S	
22"	550 mm (21-5/8")	450.5501B	453.5501B	470M5502S	
24"	600 mm (23-5/8")	450.6001B	453.6001B	470M6002S	
Installation wood screw		609.1500	609.1500		
Installation system screw		661.1450.HG	661.1450.HG		

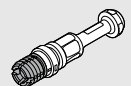
Rear fixing bracket set							
3 	Set includes: <ul style="list-style-type: none"> Left and right bracket E Height Material: Steel Specify color when ordering indium gray (IG-M) or silk white (SW-M) 	Part no.					
	<table border="1"> <thead> <tr> <th>IG-M</th> <th>SW-M</th> <th>ZB4E000S</th> </tr> </thead> <tbody> <tr> <td colspan="2">Installation screw</td> <td>612TH</td> </tr> </tbody> </table>	IG-M	SW-M	ZB4E000S	Installation screw		612TH
IG-M	SW-M	ZB4E000S					
Installation screw		612TH					

Front fixing bracket					
4 	<ul style="list-style-type: none"> Two brackets required per drawer 	Part no.			
	<table border="1"> <tbody> <tr> <td>INSERTA</td> <td>ZF4.1012</td> </tr> <tr> <td>Screw-on*</td> <td>ZF4.1002</td> </tr> </tbody> </table>	INSERTA	ZF4.1012	Screw-on*	ZF4.1002
INSERTA	ZF4.1012				
Screw-on*	ZF4.1002				

*Screws not included

BOXCOVER set								
5 	Set includes: <ul style="list-style-type: none"> Left and right front BOXCOVER, Left and right back BOXCOVER Includes clamp jaws for attaching design element For front heights greater than 455 mm, the clamping screw must be tightened – 1.5 to 2 Nm Design element not included Specify color when ordering indium gray (IG-M) or silk white (SW-M) 	Part no.						
		<table border="1"> <thead> <tr> <th>IG-M</th> <th>SW-M</th> <th>ZL4M00808</th> </tr> </thead> <tbody> <tr> <td colspan="2">Installation screw</td> <td>612TH</td> </tr> </tbody> </table>	IG-M	SW-M	ZL4M00808	Installation screw		612TH
IG-M	SW-M	ZL4M00808						
Installation screw		612TH						

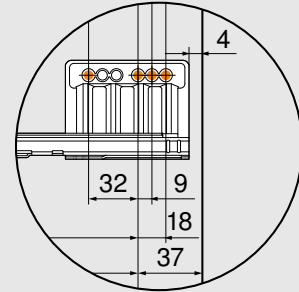
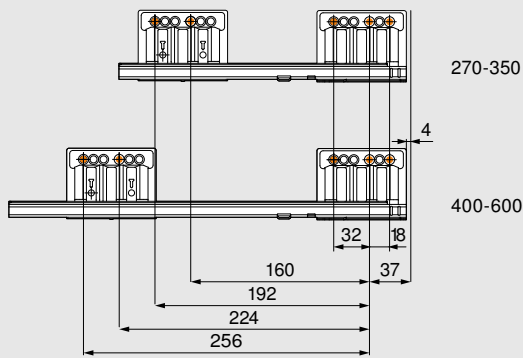
⚠ When using the INSERTA front fixing bracket, make sure that the front fixing bracket is folded up or down.

Top front fixing bracket					
6 	<ul style="list-style-type: none"> Two brackets required per drawer 	Part no.			
	<table border="1"> <tbody> <tr> <td>INSERTA</td> <td>ZF4.5012</td> </tr> <tr> <td>Screw-on – pre-assembled chipboard screw Ø 3.8 x 11.4 mm</td> <td>ZF4.5002</td> </tr> </tbody> </table>	INSERTA	ZF4.5012	Screw-on – pre-assembled chipboard screw Ø 3.8 x 11.4 mm	ZF4.5002
INSERTA	ZF4.5012				
Screw-on – pre-assembled chipboard screw Ø 3.8 x 11.4 mm	ZF4.5002				

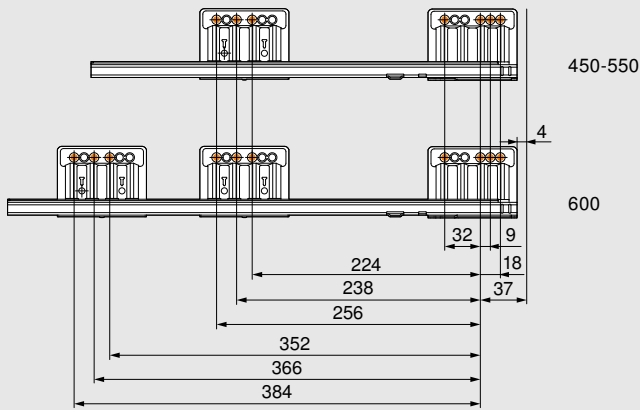
Planning

Cabinet profile installation

450
125 lb

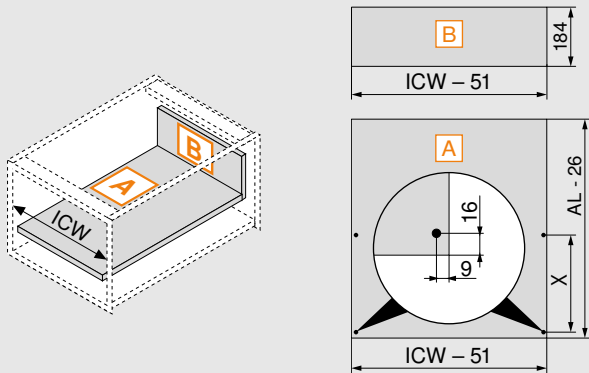


453
170 lb



NOTE: The orange dots indicate fixing screw locations required to meet specified load ratings

Cutting dimensions for bottom and back



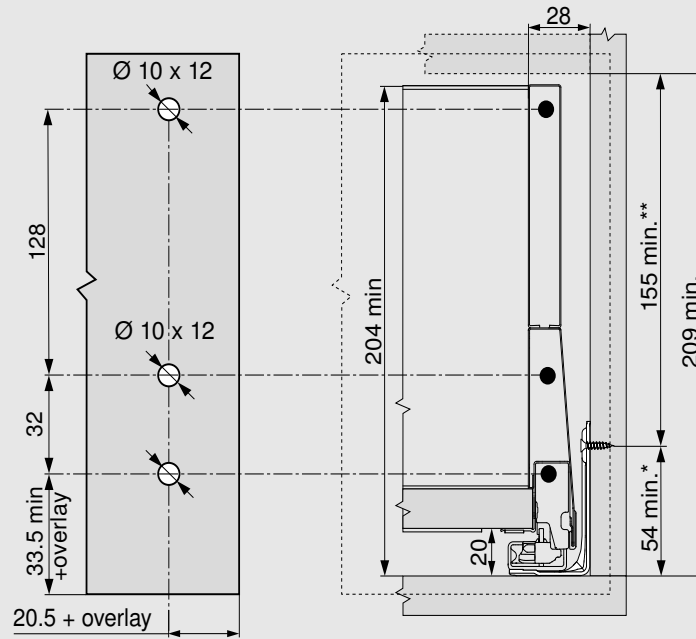
Position of drawer base drill hole

Pre-drilling possible when using a flat head screw	AL	X
	270 mm	128 mm
> 350 mm	256 mm	

ICW = Inside cabinet width
AL = Actual cabinet profile length

Planning

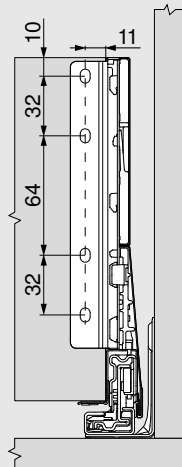
Front fixing bracket installation



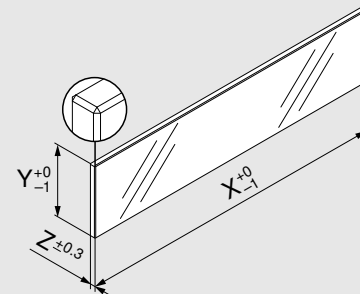
*+ 1 mm if cabinet profile is installed before cabinet is assembled

**Incl. 2 mm tilt adjustment

Rear fixing bracket installation



Cutting – Design Element



Design element	X	Y	Z
Side	AL - 90 mm	95 mm	8 mm

AL = Actual cabinet profile length

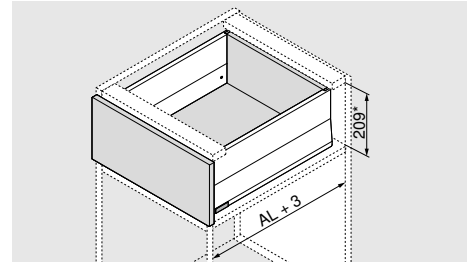
Product



Description

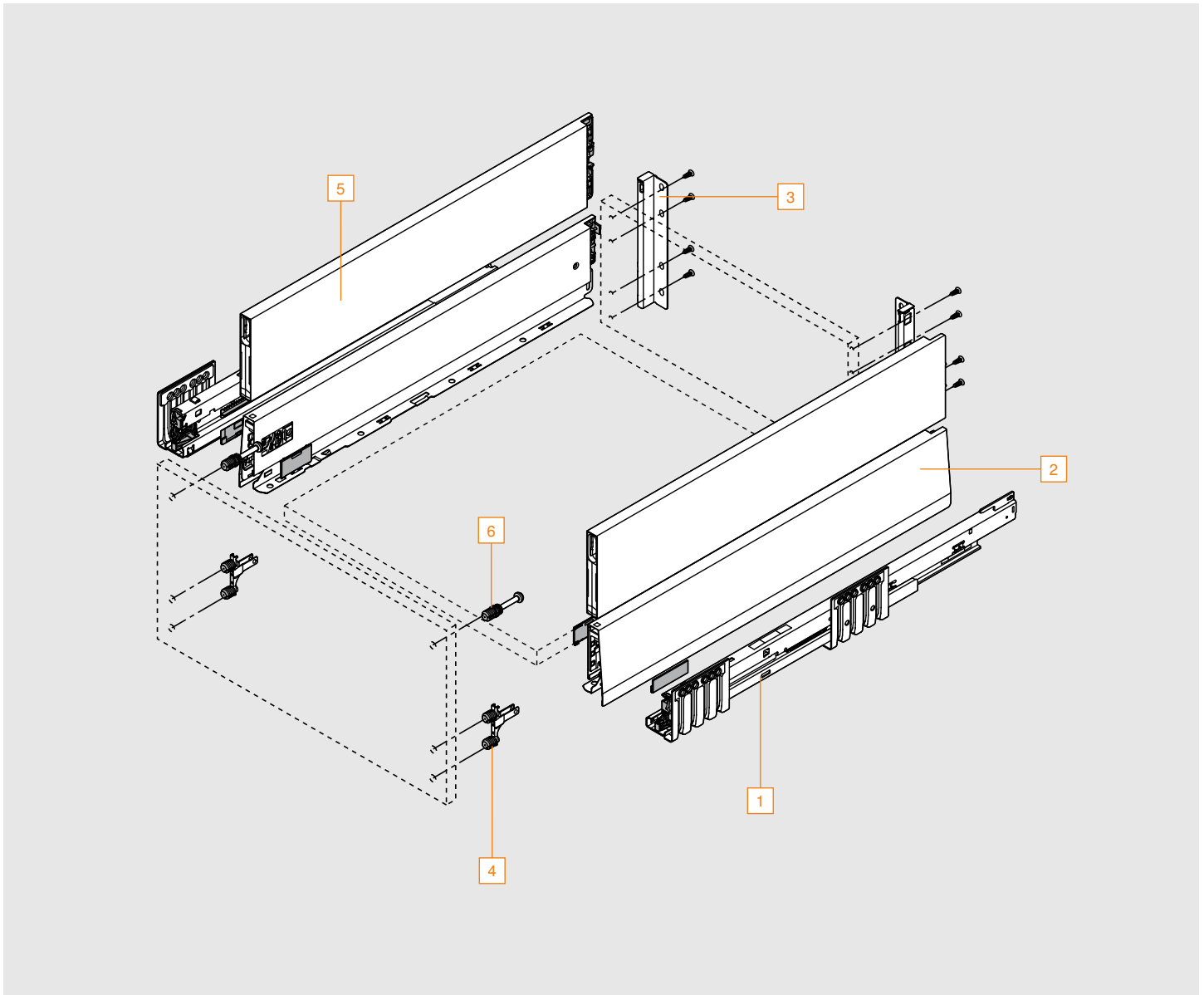
- Full extension drawer system with soft-close BLUMOTION
- Smooth running action
- Three-dimensional drawer front adjustment
- Static load capacity of 125 lb and 170 lb
- Drawer profile height 192 mm (7-9/16")
- Compatible with SERVO-DRIVE

Space Requirement

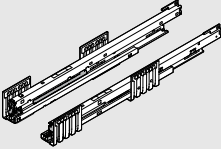
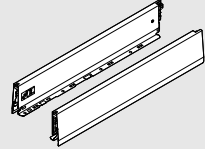


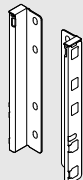
AL = Actual cabinet profile length

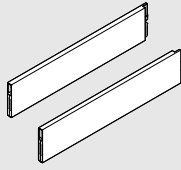
*Minimum opening height based on 3 mm (1/8") clearance

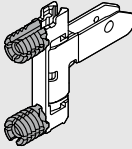


Ordering Information

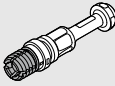
Cabinet and drawer profile sets					
Sets include: <ul style="list-style-type: none"> – Left and right profile – Drawer profiles include color coordinated cover cap – Specify color when ordering indium gray (IG-M) or silk white (SW-M) 		1 Cabinet profile 		2 Drawer profile 	
		Nominal length	Actual cabinet profile length	125 lb	170 lb
11"	270 mm (10-5/8")	450.2701B		470M2702S	
14"	350 mm (13-3/4")	450.3501B		470M3502S	
16"	400 mm (15-3/4")	450.4001B		470M4002S	
18"	450 mm (17-11/16")	450.4501B	453.4501B	470M4502S	
20"	500 mm (19-11/16")	450.5001B	453.5001B	470M5002S	
22"	550 mm (21-5/8")	450.5501B	453.5501B	470M5502S	
24"	600 mm (23-5/8")	450.6001B	453.6001B	470M6002S	
Installation wood screw		609.1500	609.1500		
Installation system screw		661.1450.HG	661.1450.HG		

Rear fixing bracket set							
3 	Set includes: <ul style="list-style-type: none"> – Left and right bracket – E Height – Material: Steel – Specify color when ordering indium gray (IG-M) or silk white (SW-M) 	Part no.					
	<table border="1"> <thead> <tr> <th>IG-M</th> <th>SW-M</th> <th>ZB4E000S</th> </tr> </thead> <tbody> <tr> <td colspan="2">Installation screw</td> <td>612TH</td> </tr> </tbody> </table>	IG-M	SW-M	ZB4E000S	Installation screw		612TH
IG-M	SW-M	ZB4E000S					
Installation screw		612TH					

BOXCAP set		
5 	Set includes: <ul style="list-style-type: none"> – Left and right BOXCAP – Material: Steel – Specify color when ordering indium gray (IG-M), silk white (SW-M) 	

Front fixing bracket					
4 	– Two brackets required per drawer	Part no.			
	<table border="1"> <tbody> <tr> <td>INSERTA</td> <td>ZF4.1012</td> </tr> <tr> <td>Screw-on*</td> <td>ZF4.1002</td> </tr> </tbody> </table>	INSERTA	ZF4.1012	Screw-on*	ZF4.1002
INSERTA	ZF4.1012				
Screw-on*	ZF4.1002				
*Screws not included					

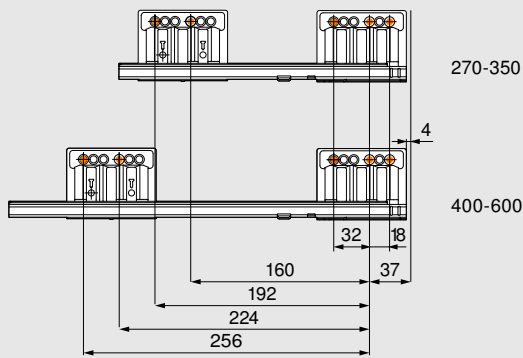
Actual cabinet profile length	IG-M	SW-M
270 mm (10-5/8")	ZL4.270S.E	
350 mm (13-3/4")	ZL4.350S.E	
400 mm (15-3/4")	ZL4.400S.E	
450 mm (17-11/16")	ZL4.450S.E	
500 mm (19-11/16")	ZL4.500S.E	
550 mm (21-5/8")	ZL4.550S.E	
600 mm (23-5/8")	ZL4.600S.E	

Top front fixing bracket					
6 	– Two brackets required per drawer	Part no.			
	<table border="1"> <tbody> <tr> <td>INSERTA</td> <td>ZF4.5012</td> </tr> <tr> <td>Screw-on – pre-assembled chipboard screw Ø 3.8 x 11.4 mm</td> <td>ZF4.5002</td> </tr> </tbody> </table>	INSERTA	ZF4.5012	Screw-on – pre-assembled chipboard screw Ø 3.8 x 11.4 mm	ZF4.5002
INSERTA	ZF4.5012				
Screw-on – pre-assembled chipboard screw Ø 3.8 x 11.4 mm	ZF4.5002				

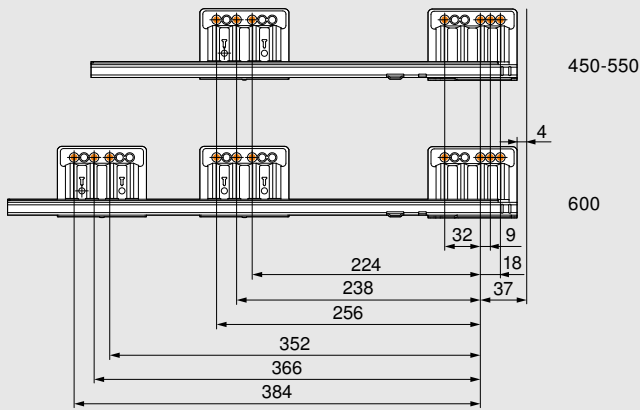
Planning

Cabinet profile installation

450
125 lb

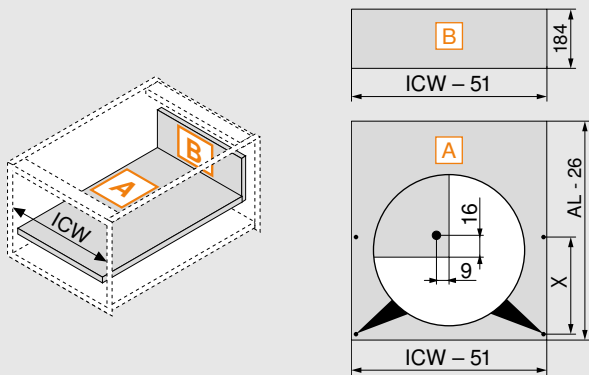


453
170 lb



NOTE: The orange dots indicate fixing screw locations required to meet specified load ratings

Cutting dimensions for bottom and back



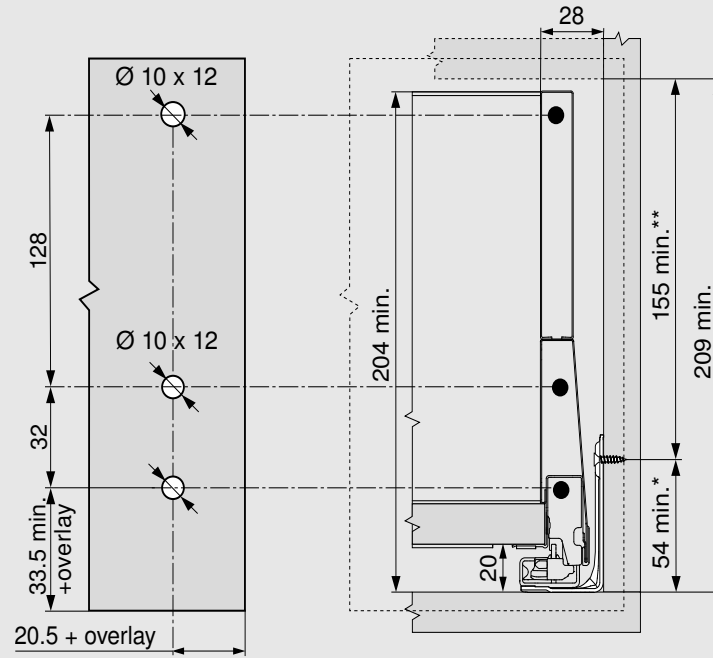
Position of drawer base drill hole

Pre-drilling possible when using a flat head screw	AL	X
	270 mm	128 mm
> 350 mm	256 mm	

ICW = Inside cabinet width
AL = Actual cabinet profile length

Planning

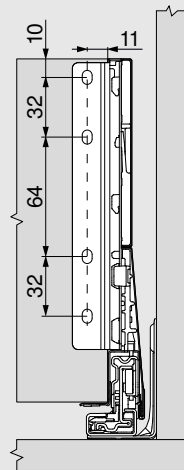
Front fixing bracket installation



*+ 1 mm if cabinet profile is installed before cabinet is assembled

**Incl. 2 mm tilt adjustment

Rear fixing bracket installation



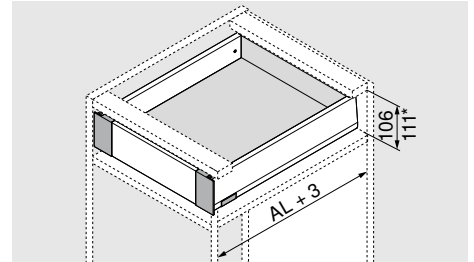
Product



Description

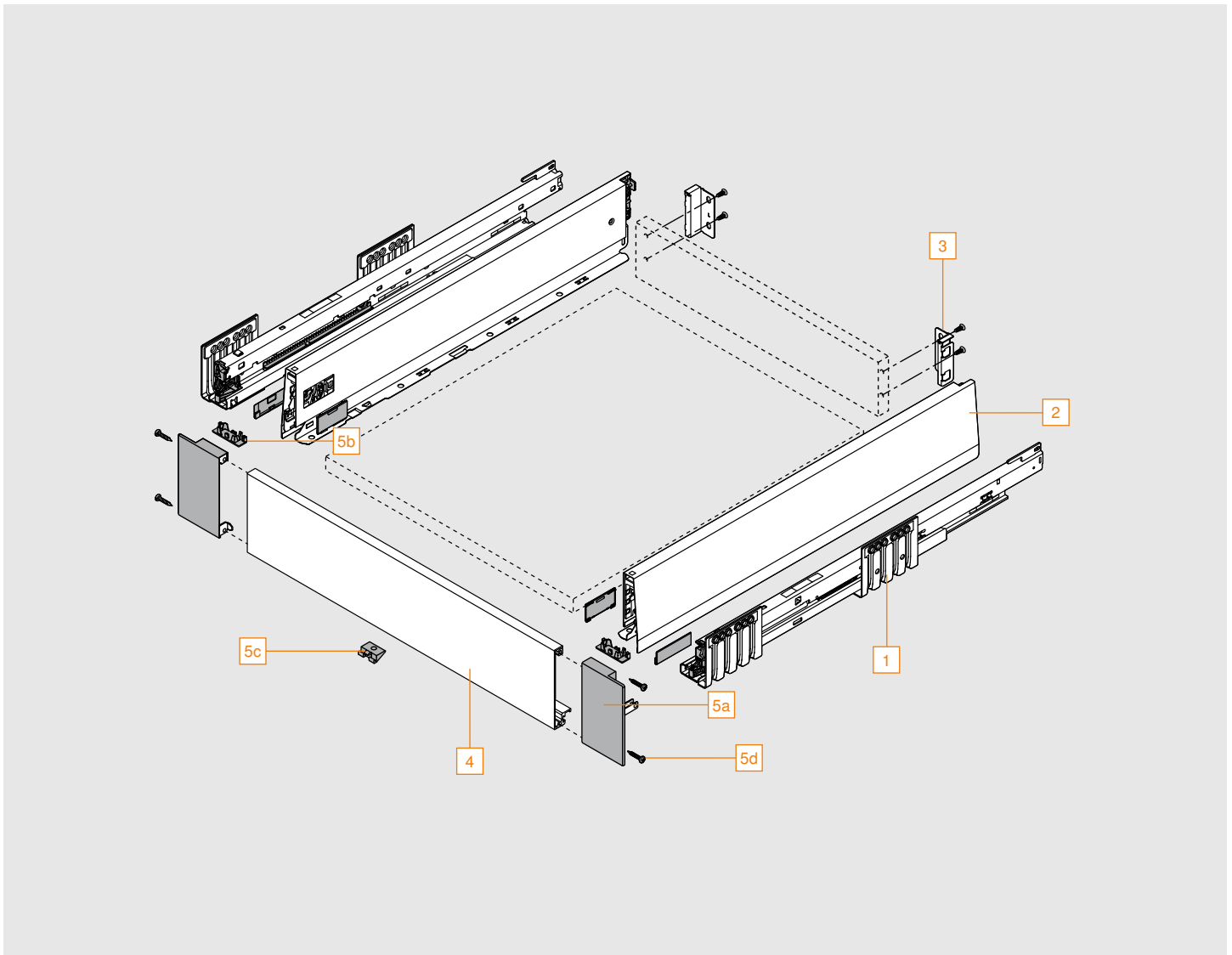
- Full extension drawer system with soft-close BLUMOTION
- Smooth running action
- Three-dimensional drawer front adjustment
- Static load capacity of 125 lb and 170 lb
- Drawer profile height 91 mm (3 -9/16")
- Compatible with SERVO-DRIVE
- Identical position of the cabinet profile
- For inner drawers, SERVO-DRIVE for MERIVOBX can only be triggered by pulling the inner drawer

Space Requirement

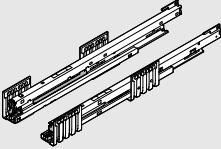
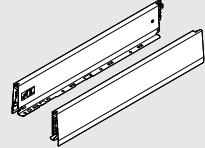


AL = Actual cabinet profile length

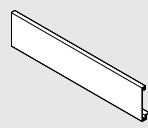
*Minimum opening height based on 3 mm (1/8") clearance

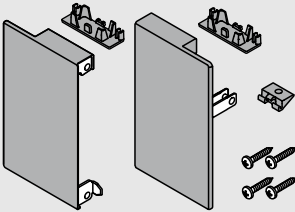


Ordering Information

Cabinet and drawer profile sets					
Sets include: <ul style="list-style-type: none"> Left and right profile Drawer profiles include color coordinated cover cap Specify color when ordering indium gray (IG-M) or silk white (SW-M) 		1 Cabinet profile 		2 Drawer profile 	
		Nominal length	Actual cabinet profile length	125 lb	170 lb
11"	270 mm (10-5/8")	450.2701B			470M2702S
14"	350 mm (13-3/4")	450.3501B			470M3502S
16"	400 mm (15-3/4")	450.4001B			470M4002S
18"	450 mm (17-11/16")	450.4501B	453.4501B		470M4502S
20"	500 mm (19-11/16")	450.5001B	453.5001B		470M5002S
22"	550 mm (21-5/8")	450.5501B	453.5501B		470M5502S
24"	600 mm (23-5/8")	450.6001B	453.6001B		470M6002S
Installation wood screw		609.1500	609.1500		
Installation system screw		661.1450.HG	661.1450.HG		

Rear fixing bracket set		
3 	Set includes: <ul style="list-style-type: none"> Left and right bracket M Height Material: Steel Specify color when ordering indium gray (IG-M) or silk white (SW-M) 	
	Part no.	
	IG-M	SW-M
	ZB4M000S	
	Installation screw	
	612TH	

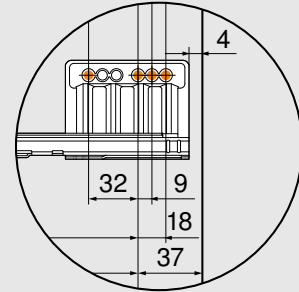
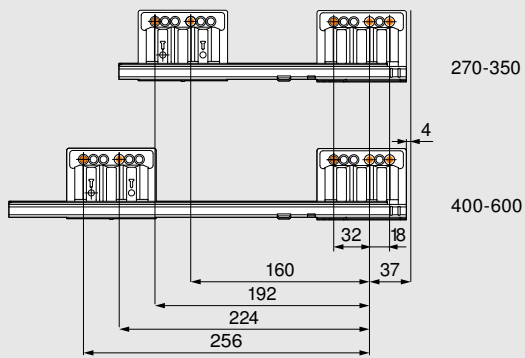
Front piece		
4 	<ul style="list-style-type: none"> Material: Aluminum Length 1042 mm, cut to size Specify color when ordering indium gray (IG-M) or silk white (SW-M) 	
	Part no.	
	IG-M	SW-M
	ZV4.1042M	
Cutting to size: Inside cabinet width (ICW) - 126 mm		

Front piece set			
5 	Set includes: <ul style="list-style-type: none"> 5a 2x Front fixings 5b 2x Cover caps 5c 1x Locking piece 5d 4x Screws <ul style="list-style-type: none"> Material: Steel Specify color when ordering indium gray (IG-M) or silk white (SW-M) 		
	Part no.		
	IG-M	SW-M	
			ZI4.0MS1

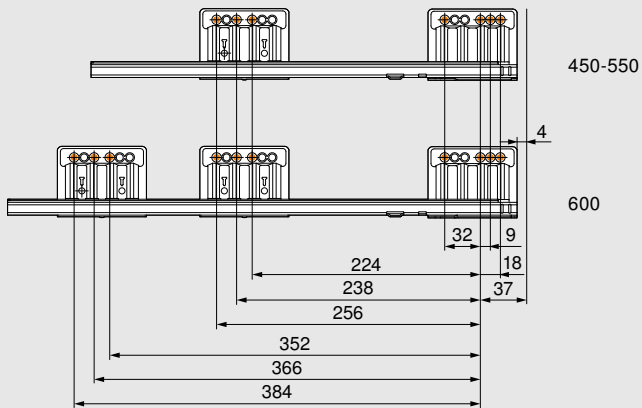
Planning

Cabinet profile installation

450
125 lb

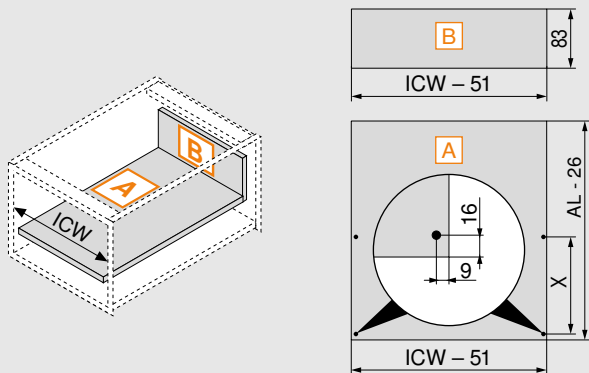


453
170 lb



NOTE: The orange dots indicate fixing screw locations required to meet specified load ratings

Cutting dimensions for bottom and back



Position of drawer base drill hole

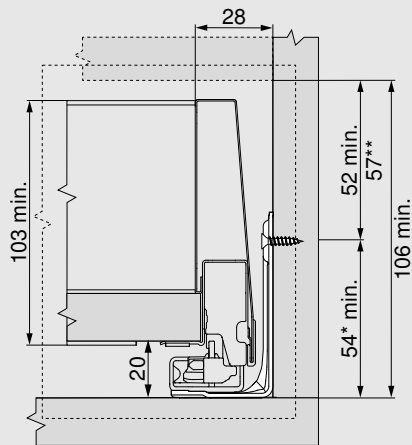
	AL	X
Pre-drilling possible when using a flat head screw	270 mm	128 mm
	> 350 mm	256 mm

ICW = Inside cabinet width

AL = Actual cabinet profile length

Planning

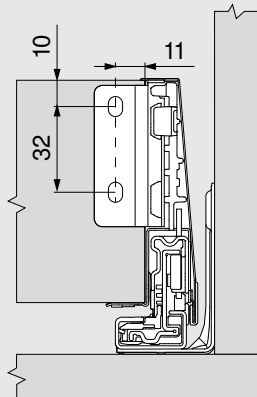
Front fixing bracket installation



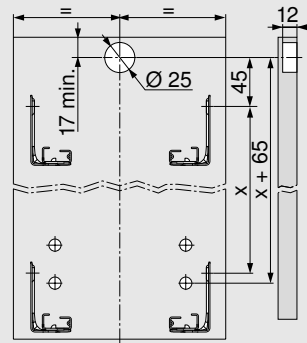
*+ 1 mm if cabinet profile is installed before cabinet is assembled

**Inner drawer with latch set possible from height 57 mm

Rear fixing bracket installation



Front drilling distances for latch housing (optional)



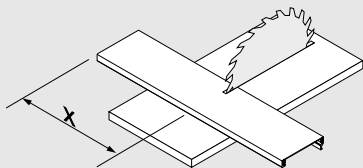
Latch ordering information

page 47

Cutting front piece

Using a metal cutting blade, cut front piece to size.

X = Inside cabinet width minus 126 mm (5")



Product

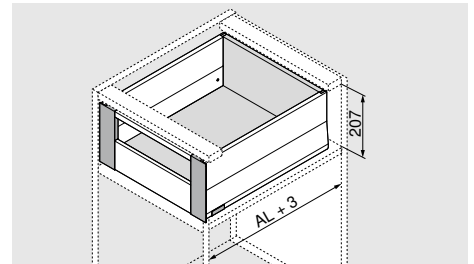


Example of inner pull-out using BOXCAP

Description

- Full extension drawer system with soft-close BLUMOTION
- Smooth running action
- Three-dimensional drawer front adjustment
- Static load capacity of 125 lb and 170 lb
- Drawer profile height 192 mm (7-9/16")
- Compatible with SERVO-DRIVE
- Identical position of the cabinet profile
- For inner drawers, SERVO-DRIVE for MERIVOBX can only be triggered by pulling the inner drawer

Space Requirement



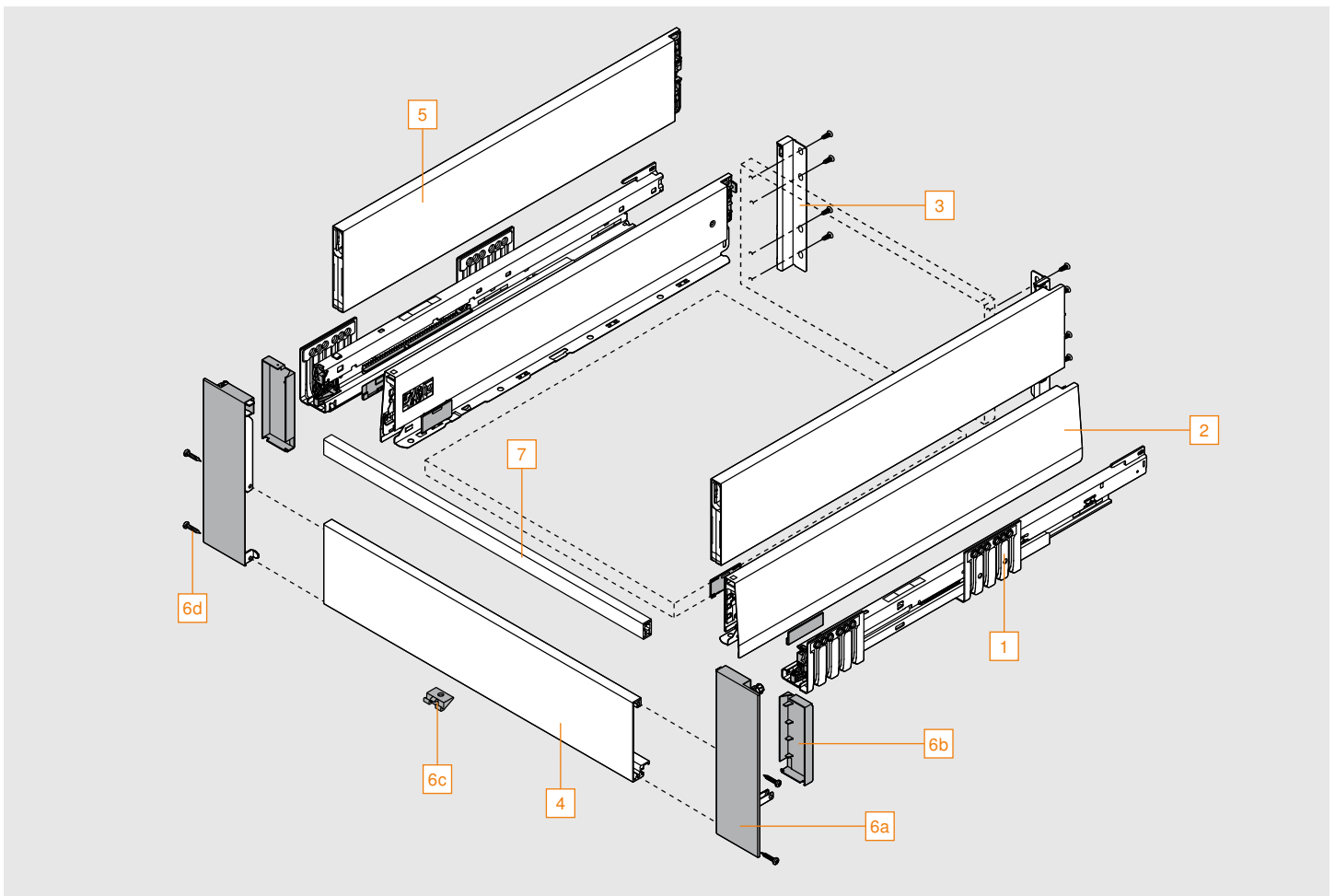
AL = Actual cabinet profile length

*Minimum opening height based on 3 mm (1/8") clearance

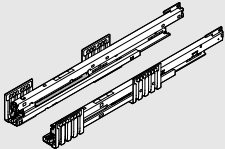
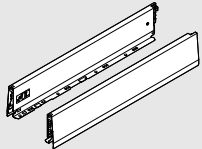
Application recommendation

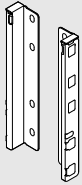
All inner pull-out options can be combined with any high fronted pull-out option in E Height. Please see the relevant page for the components to be ordered. All components apart from the front fixing bracket are needed.

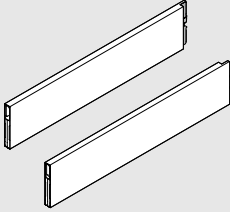
E Height with Single Gallery	page 16
E Height with BOXCOVER	page 20

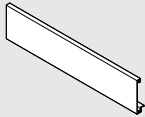


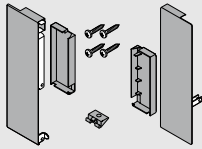
Ordering Information


Cabinet and drawer profile sets						
Sets include: – Left and right profile – Drawer profiles include color coordinated cover cap – Specify color when ordering indium gray (IG-M) or silk white (SW-M)		1 Cabinet profile 		2 Drawer profile 		
		Nominal length	Actual cabinet profile length	125 lb	170 lb	IG-M
11"	270 mm (10-5/8")	450.2701B			470M2702S	
14"	350 mm (13-3/4")	450.3501B			470M3502S	
16"	400 mm (15-3/4")	450.4001B			470M4002S	
18"	450 mm (17-11/16")	450.4501B		453.4501B	470M4502S	
20"	500 mm (19-11/16")	450.5001B		453.5001B	470M5002S	
22"	550 mm (21-5/8")	450.5501B		453.5501B	470M5502S	
24"	600 mm (23-5/8")	450.6001B		453.6001B	470M6002S	
Installation wood screw		609.1500	609.1500			
Installation system screw		661.1450.HG	661.1450.HG			

Rear fixing bracket set		
3 	Set includes: – Left and right bracket – E Height – Material: Steel – Specify color when ordering indium gray (IG-M) or silk white (SW-M)	
	Part no.	
IG-M	SW-M	ZB4E000S
Installation screw		612TH

BOXCAP set		
5 	Set includes: – Left and right BOXCAP – Material: Steel – Specify color when ordering indium gray (IG-M) or silk white (SW-M)	
	Part no.	
Actual cabinet profile length	IG-M	SW-M
270 mm (10-5/8")	ZL4.270S.E	
350 mm (13-3/4")	ZL4.350S.E	
400 mm (15-3/4")	ZL4.400S.E	
450 mm (17-11/16")	ZL4.450S.E	
500 mm (19-11/16")	ZL4.500S.E	
550 mm (21-5/8")	ZL4.550S.E	
600 mm (23-5/8")	ZL4.600S.E	

Front piece		
4 	– Length 1042 mm, cut to size – Material: Aluminum – Specify color when ordering indium gray (IG-M) or silk white (SW-M)	
	Part no.	
IG-M	SW-M	ZV4.1042M
Cutting to size: Inside cabinet width (ICW) - 126 mm		

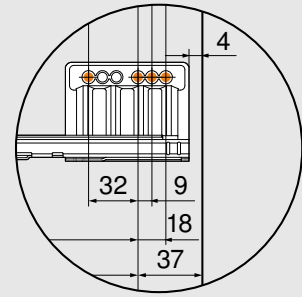
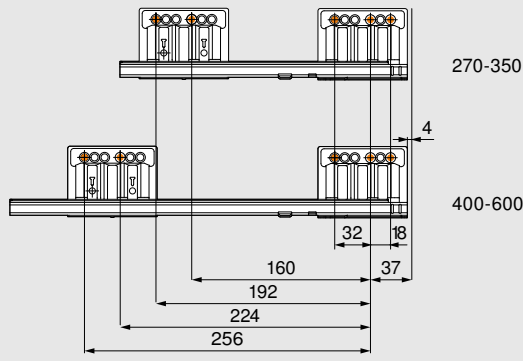
Front piece set		
6 	Set includes: 6a 2x Front fixings 6c 1x Locking piece 6b 2x Cover caps 6d 4x Screws	
	– Material: Steel – Specify color when ordering indium gray (IG-M) or silk white (SW-M)	
Part no.		
IG-M	SW-M	ZI4.2ES1

Cross gallery		
7 	– Length 1059 mm, cut to size – Material: Aluminum – Specify color when ordering indium gray (IG-M) or silk white (SW-M)	
	Part no.	
IG-M	SW-M	ZR4.1059U
For cutting to size		
Inside cabinet width (ICW) - 111 mm		

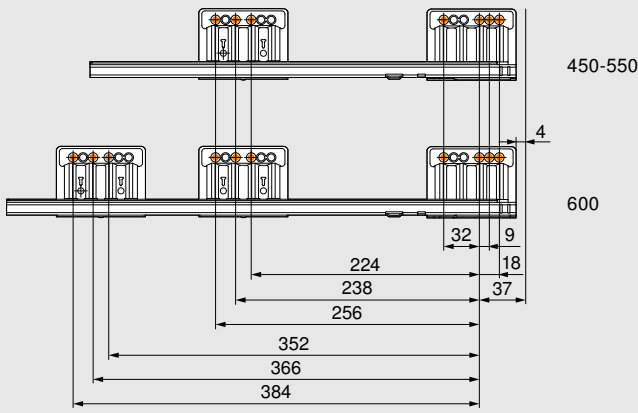
Planning

Cabinet profile installation

450
125 lb

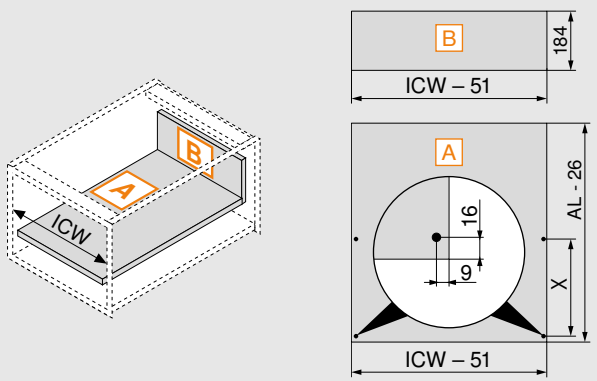


453
170 lb



NOTE: The orange dots indicate fixing screw locations required to meet specified load ratings

Cutting dimensions for bottom and back



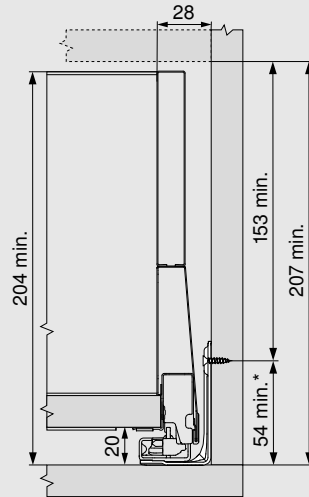
Position of drawer base drill hole

Pre-drilling possible when using a flat head screw	AL	X
	270 mm	128 mm
> 350 mm	256 mm	

ICW = Inside cabinet width
AL = Actual cabinet profile length

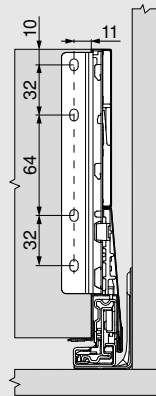
Planning

Front fixing bracket installation

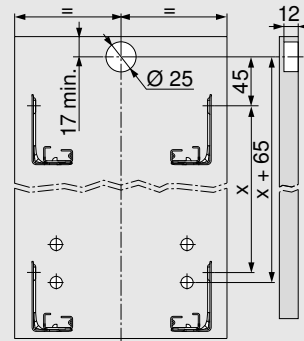


*+ 1 mm if cabinet profile is installed before cabinet is assembled

Rear fixing bracket installation



Front drilling distances for latch housing (optional)



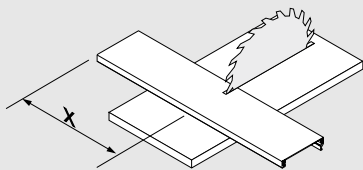
Latch ordering information

page 47

Cutting front piece

Using a metal cutting blade, cut front piece to size.

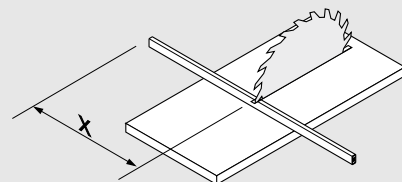
X = Inside cabinet width minus 126 mm (5")



Cutting cross rail

Using a metal cutting blade, cut cross rail to size.

X = Inside cabinet width minus 111 mm



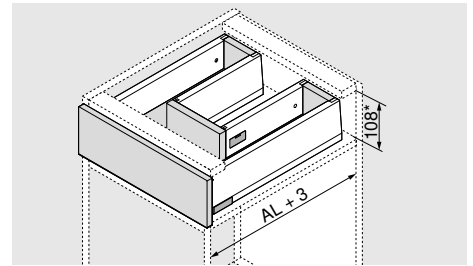
Product



Description

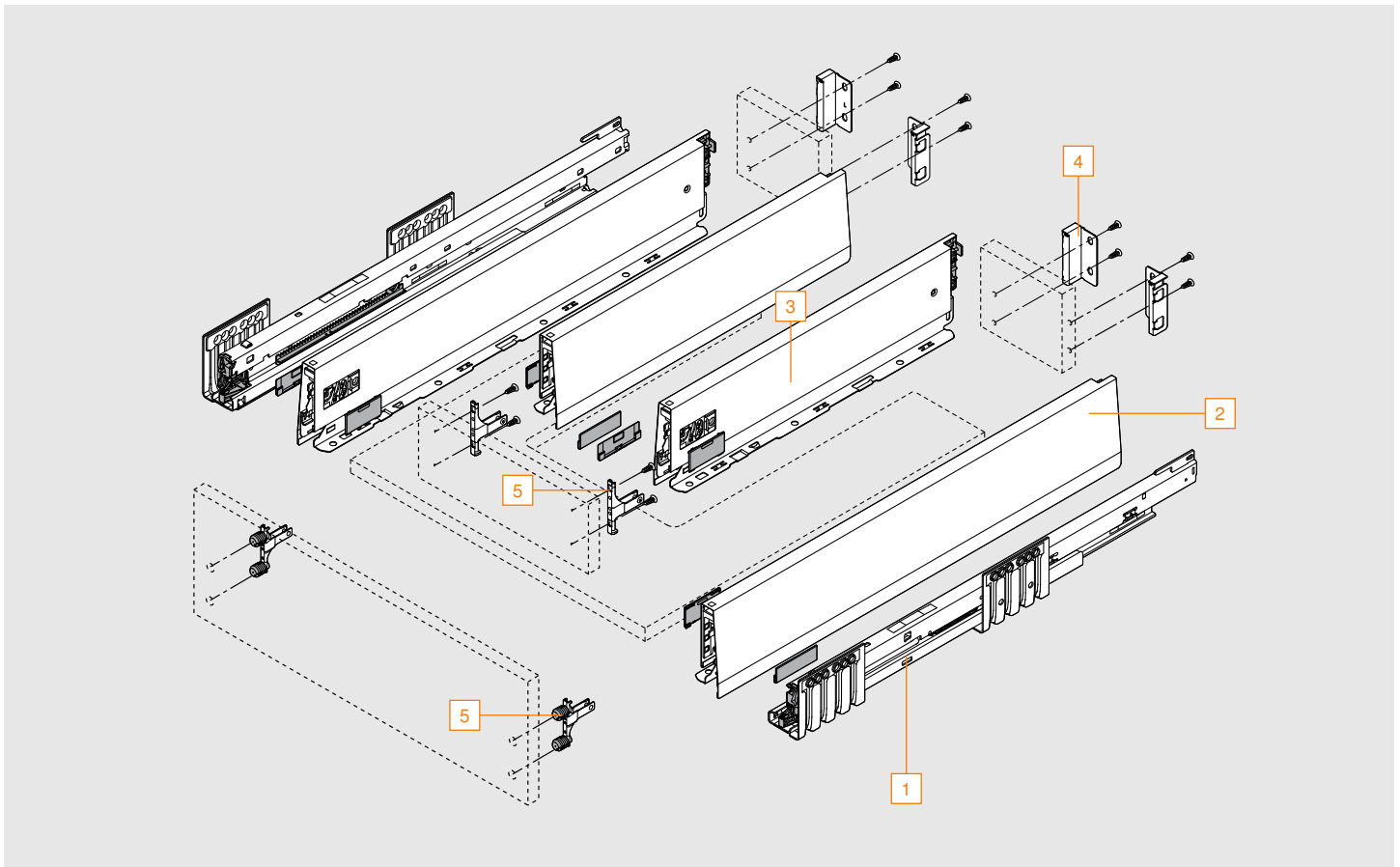
- Full extension drawer system with soft-close BLUMOTION
- Smooth running action
- Three-dimensional drawer front adjustment
- Static load capacity of 125 lb and 170 lb
- Drawer profile height 91 mm (3 -9/16")
- Compatible with SERVO-DRIVE
- With center piece for optimal use of storage space
- Can be implemented with standard components

Space Requirement



AL = Actual cabinet profile length

*Minimum opening height based on 3 mm (1/8") clearance



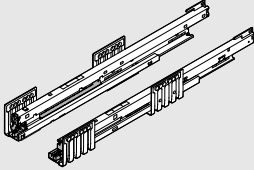
Ordering Information

Cabinet profile set

1 Cabinet profile

Sets include:

- Left and right profile



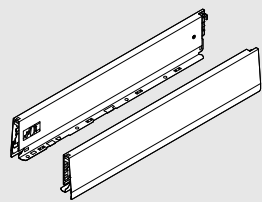
Nominal length	Actual cabinet profile length	125 lb	170 lb
18"	450 mm (17-11/16")	450.4501B	453.4501B
20"	500 mm (19-11/16")	450.5001B	453.5001B
22"	550 mm (21-5/8")	450.5501B	453.5501B
24"	600 mm (23-5/8")	450.6001B	453.6001B

Outer drawer profile set

2 Outer drawer profile

Sets include:

- Left and right profile
- Color coordinated cover cap
- Specify color when ordering indium gray (IG-M) or silk white (SW-M)



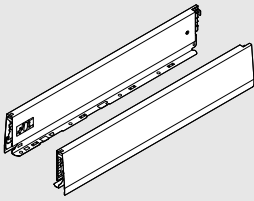
Nominal length	Actual cabinet profile length	IG-M	SW-M
18"	450 mm (17-11/16")	470M4502S	
20"	500 mm (19-11/16")	470M5002S	
22"	550 mm (21-5/8")	470M5502S	
24"	600 mm (23-5/8")	470M6002S	

Inner drawer profile set

3 Inner drawer profile

Sets include:

- Left and right profile
- Color coordinated cover cap
- Specify color when ordering indium gray (IG-M) or silk white (SW-M)



Nominal length	Actual cabinet profile length	IG-M	SW-M
14"	350 mm (13-3/4")	470M3502S	
16"	400 mm (15-3/4")	470M4002S	
18"	450 mm (17-11/16")	470M4502S	

For effective use of storage space, we recommend:

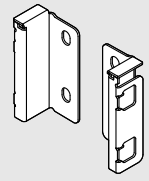
External Actual cabinet profile length (AL) drawer sides - Inside Actual cabinet profile length (AL) drawer sides = 150 mm min.

Rear fixing bracket set

4

Set includes:

- Left and right bracket
- Two pairs required per drawer
- M Height
- Material: Steel
- Specify color when ordering indium gray (IG-M) or silk white (SW-M)

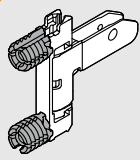


IG-M	SW-M	Part no.
		ZB4M000S
Installation screw		612TH

Front fixing bracket

5

- Two brackets required per drawer



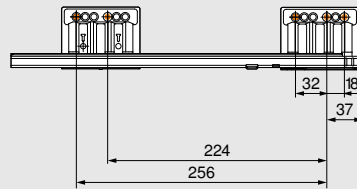
Part no.	
INSERTA*	ZF4.1012
Screw-on**	ZF4.1002

*Center piece cannot be used with INSERTA.
**Screws not included

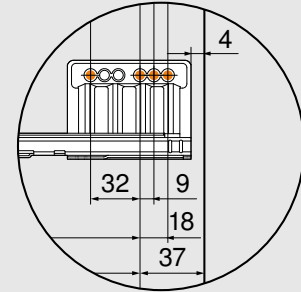
Planning

Cabinet profile installation

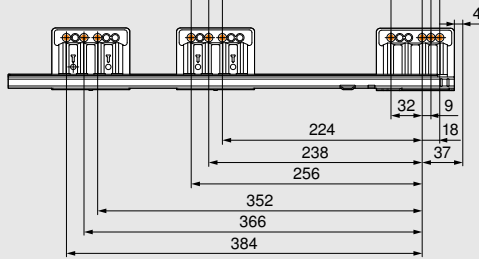
450
125 lb



450-600



453
170 lb

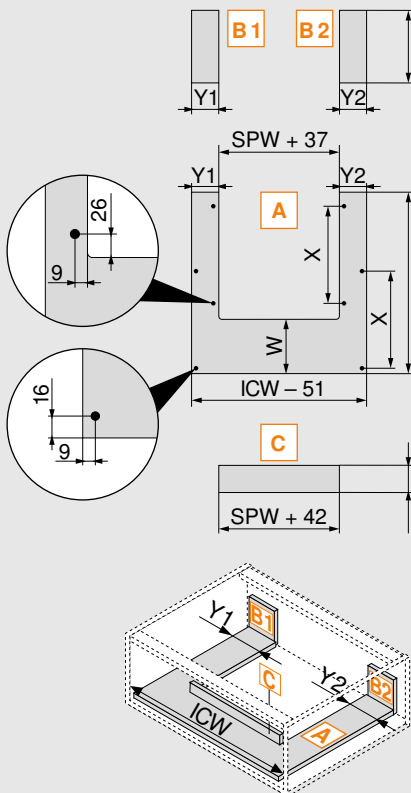


450-550

600

NOTE: The orange dots indicate fixing screw locations required to meet specified load ratings

Cutting dimensions for bottom and back



Chipboard back

Height 83 mm

Base length

Chipboard back AL - 26 mm

Y min. 40 mm

Y max. 225 mm

Position of drawer base drill hole

Pre-drilling possible when using a flat head screw	AL	X
	> 450 mm	256 mm

Center piece

Height 67 mm

ICW = Inside cabinet width

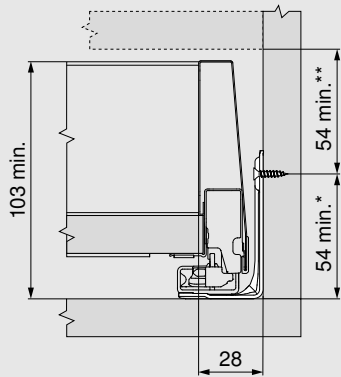
AL = Actual cabinet profile length

SPW = Inside width between sink drawer sides

W = AL of outer drawer sides - AL of inner drawer sides - 10 mm

Planning

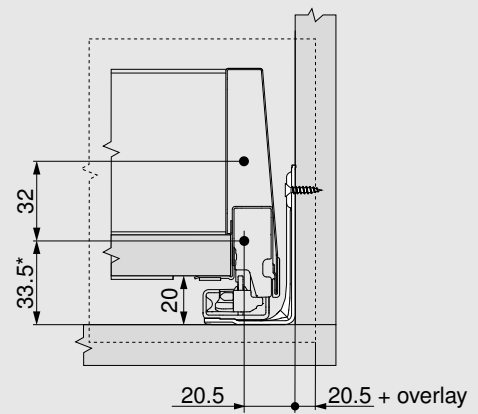
Space requirements in the cabinet



*+ 1 mm if cabinet profile is installed before cabinet is assembled

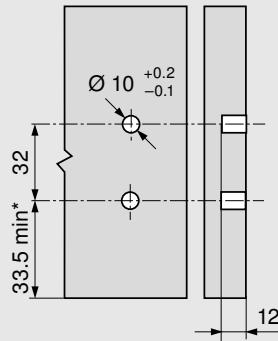
**Incl. 2 mm tilt adjustment

Front installation dimensions for screw-on assembly



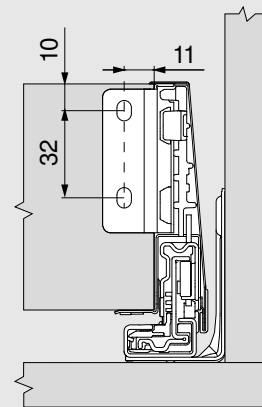
*+ 1 mm if cabinet profile is installed before cabinet is assembled

Front drilling distances for INSERTA

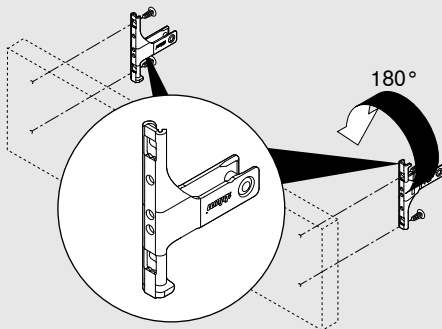


*+ 1 mm if cabinet profile is installed before cabinet is assembled

Back installation dimensions

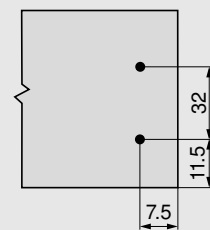


Rotation of front fixing bracket for center piece



Cannot be used with INSERTA.

Center piece drilling distances



Product

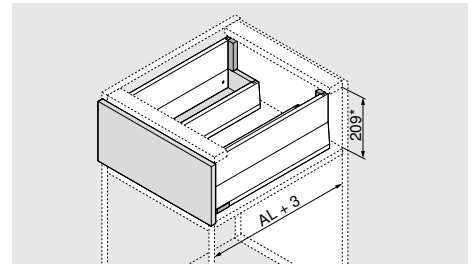


Example of outer sink drawer using BOXCAP

Description

- Full extension drawer system with soft-close BLUMOTION
- Smooth running action
- Three-dimensional drawer front adjustment
- Static load capacity of 125 lb and 170 lb
- Drawer profile height 192 mm (7-9/16")
- Compatible with SERVO-DRIVE
- With center piece for optimal use of storage space
- Can be implemented with standard components

Space Requirement



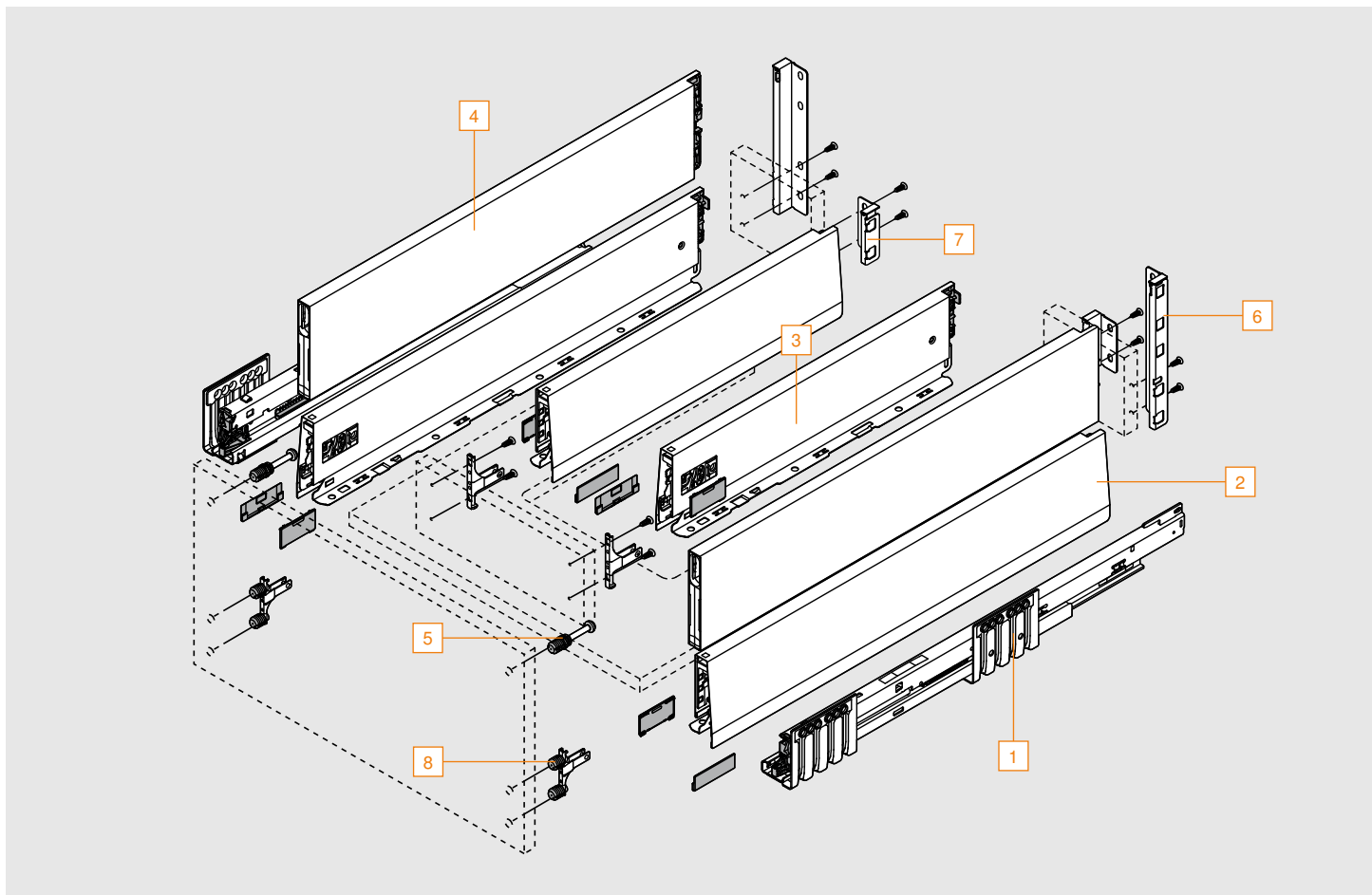
AL = Actual cabinet profile length

*Minimum opening height based on 3 mm (1/8") clearance

Application recommendation

The outer sink drawer sides can be combined with all E Height options. Please see the relevant page for planning information and the components to be ordered.

E Height with Single Gallery	page 16
E Height with BOXCOVER	page 20



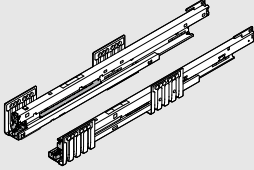
Ordering Information

Cabinet profile set

1 Cabinet profile

Sets include:

- Left and right profile



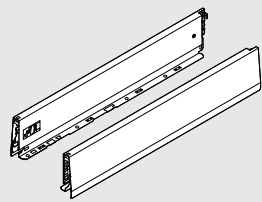
Nominal length	Actual cabinet profile length	125 lb	170 lb
18"	450 mm (17-11/16")	450.4501B	453.4501B
20"	500 mm (19-11/16")	450.5001B	453.5001B
22"	550 mm (21-5/8")	450.5501B	453.5501B
24"	600 mm (23-5/8")	450.6001B	453.6001B

Outer drawer profile set

2 Outer drawer profile

Sets include:

- Left and right profile
- Color coordinated cover cap
- Specify color when ordering indium gray (IG-M) or silk white (SW-M)



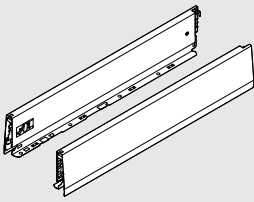
Nominal length	Actual cabinet profile length	IG-M	SW-M
18"	450 mm (17-11/16")	470M4502S	
20"	500 mm (19-11/16")	470M5002S	
22"	550 mm (21-5/8")	470M5502S	
24"	600 mm (23-5/8")	470M6002S	

Inner drawer profile set

3 Inner drawer profile

Sets include:

- Left and right profile
- Color coordinated cover cap
- Specify color when ordering indium gray (IG-M) or silk white (SW-M)



Nominal length	Actual cabinet profile length	IG-M	SW-M
14"	350 mm (13-3/4")	470M3502S	
16"	400 mm (15-3/4")	470M4002S	
18"	450 mm (17-11/16")	470M4502S	

For effective use of storage space, we recommend:

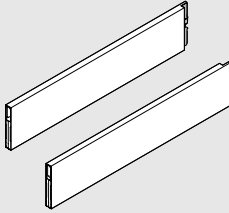
External Actual cabinet profile length (AL) drawer sides - Inside Actual cabinet profile length (AL) drawer sides = 150 mm min.

BOXCAP set

4

Set includes:

- Left and right BOXCAP
- Material: Steel
- Specify color when ordering indium gray (IG-M) or silk white (SW-M)

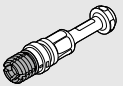


Actual cabinet profile length	IG-M	SW-M
450 mm (17-11/16")	ZL4.450S.E	
500 mm (19-11/16")	ZL4.500S.E	
550 mm (21-5/8")	ZL4.550S.E	
600 mm (23-5/8")	ZL4.600S.E	

Top front fixing bracket

5

- Two brackets required per drawer



Part no.
INSERTA
Screw-on – pre-assembled chipboard screw Ø 3.8 x 11.4 mm

ZF4.5012
ZF4.5002

Ordering Information

Outer drawer rear fixing bracket set

6

Set includes:

- Left and right bracket
- E Height
- Material: Steel
- Specify color when ordering indium gray (IG-M) or silk white (SW-M)

Part no.

IG-M	SW-M	ZB4E000S
Installation screw		612TH

Inside drawer rear fixing bracket set

7

Set includes:

- Left and right bracket
- M Height
- Material: Steel
- Specify color when ordering indium gray (IG-M) or silk white (SW-M)

Part no.

IG-M	SW-M	ZB4M000S
Installation screw		612TH

Front fixing bracket

8

– Two brackets required per drawer

Part no.

INSERTA*	ZF4.1012
Screw-on**	ZF4.1002

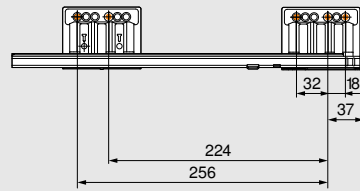
*Center piece cannot be used with INSERTA.

**Screws not included

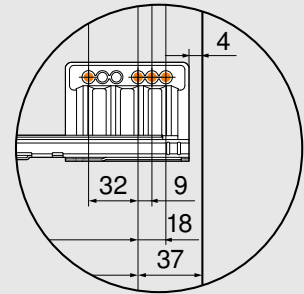
Planning

Cabinet profile installation

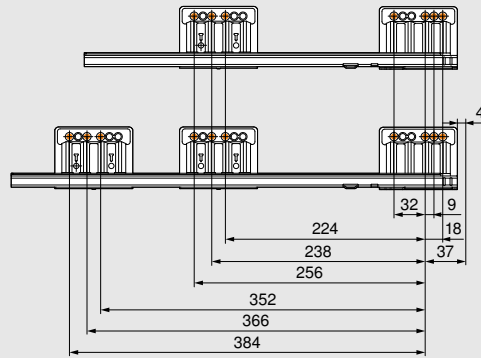
450
125 lb



450-600



453
170 lb

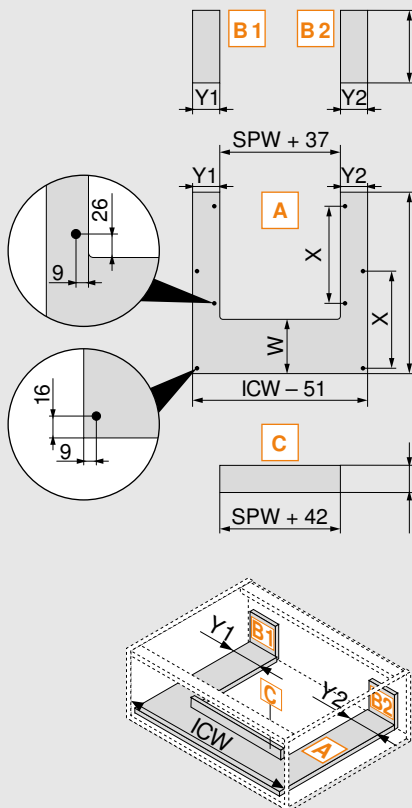


450-550

600

NOTE: The orange dots indicate fixing screw locations required to meet specified load ratings

Cutting dimensions for 16 chipboard

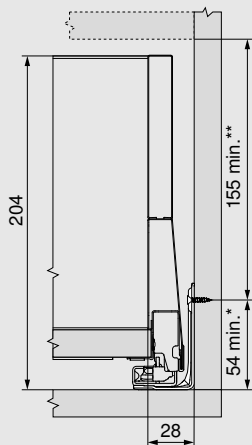


Chipboard back		B
Height		83 mm
Base length		A
Chipboard back		AL - 26 mm
Y min.	40 mm	
Y max.	225 mm	
Position of drawer base drill hole		
Pre-drilling possible when using a flat head screw	AL	X
	> 450 mm	256 mm
Center piece		C
Height		67 mm

ICW = Inside cabinet width
 AL = Actual cabinet profile length
 SPW = Inside width between sink drawer sides
 W = AL of outer drawer sides - AL of inner drawer sides - 10 mm

Planning

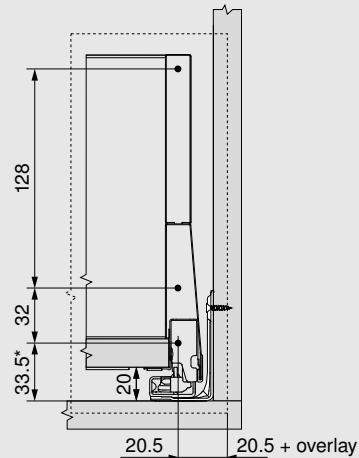
Space requirements in the cabinet



*+ 1 mm if cabinet profile is installed before cabinet is assembled

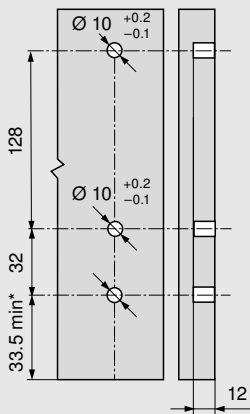
**Incl. 2 mm tilt adjustment

Front installation dimensions for screw-on assembly



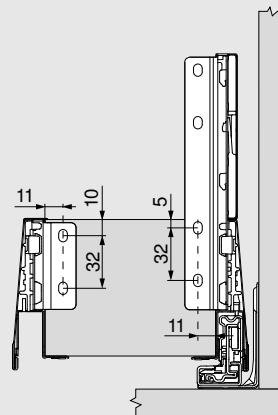
*+ 1 mm if cabinet profile is installed before cabinet is assembled

Front drilling distances for INSERTA

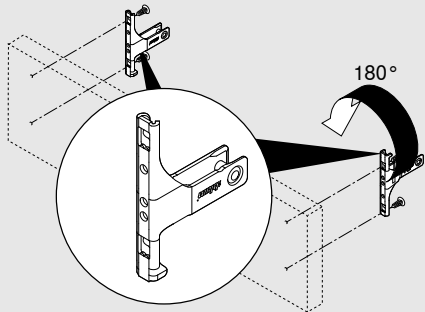


*+ 1 mm if cabinet profile is installed before cabinet is assembled

Rear fixing bracket installation

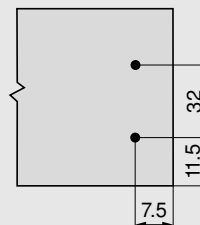


Rotation of front fixing bracket for center piece



Cannot be used with INSERTA.

Center piece drilling distances





Product

TORX DRIVER

- For MERIVOBOX adjustments
- TORX size 20 mm (T20)
- Blade length 100 mm
- Total length 210 mm



TORX



Part no.

T20 TORX DRIVER	TORX DRIVER
-----------------	--------------------

Short TORX DRIVER

- For MERIVOBOX adjustments
- TORX size 20 (T20)
- Blade length 35 mm



TORX

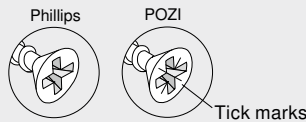


Part no.


T20 TORX DRIVER	SHORT TORX DRIVER
-----------------	--------------------------

POZI DRIVER

A POZI screwdriver (different from Phillips) is the most crucial tool you can use to assure that full torque is applied to all Blum mounting screws. POZI screws can be identified by the distinctive "tick" marks located in the center of the screwhead recess.



Phillips POZI Tick marks




Part no.

#2 POZI DRIVER	POZI DRIVER
1/4" Magnetic bit holder	BIT HOLDER
#2 x 1" POZI bit insert	POZI BIT #2X1
#2 x 2" POZI bit insert	POZI BIT #2X2

Deep thread system screw

- Pilot bore Ø5 mm (3/16") hole

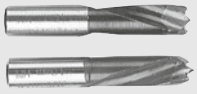


Part no.

#7 x 13, #2 POZI	661.1300.HG
#7 x 14.5, #2 POZI	661.1450.HG

Ø10 Drill bit

- Ø10 mm (13/32") drill bit for the MINIPRESS boring heads




Part no.

Drill bit (right hand)	M01.ZB10.02
Drill bit (left hand)	M01.ZB10.03

Deep thread wood screw

- Pilot bore Ø2.5 mm (3/32") hole

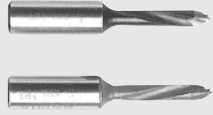


Part no.

#6 x 5/8", #2 Phillips	606N
#6 x 5/8", #2 POZI	606P
#7 x 5/8", #2 Phillips	707N
#7 x 3/4", #2 Phillips	7074N

Ø5 Drill bit

- Ø5 mm (3/16") drill bit for the MINIPRESS boring heads




Part no.

Drill bit (right hand)	M01.ZB05.D2
Drill bit (left hand)	M01.ZB05.D3

Truss head wood screw

- Pilot bore Ø2.5 mm (3/32") hole




Part no.

#6 x 1/2", #2 Phillips	612TH
------------------------	--------------

VIX bit

- For pre-drilling a Ø3 mm (1/8") pilot hole



Part no.

Ø3 mm piloting bit	VPB-5
--------------------	--------------

Ordering information

Side stabilizer					
	<ul style="list-style-type: none"> - Additional stabilization for extra wide pull-outs - Suitable for use in combination with BLUMOTION and SERVO-DRIVE - No additional space requirement at the bottom 				
	<p>Space requirement</p>				
<p>AL = Actual cabinet profile length</p> <table border="1"> <tr> <td>270–400 mm</td> <td>ZS4.400MU</td> </tr> <tr> <td>450–600 mm</td> <td>ZS4.650MU</td> </tr> </table> <p>Shaft cutting</p> <p>Inside cabinet width (ICW) - 231 mm</p> <p>Gear rack cutting</p> <p>AL + 10 mm</p>		270–400 mm	ZS4.400MU	450–600 mm	ZS4.650MU
270–400 mm	ZS4.400MU				
450–600 mm	ZS4.650MU				


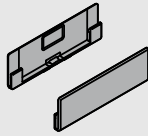
Front/base stabilizer	
	<ul style="list-style-type: none"> - RAL 7037 dust gray - Material: Nylon - For supporting wide drawer bases
	<p>Part no.</p> <p>Z96.10E1</p>

Space requirement

Front drilling distances
<p>X = 20.5 mm + front overlay (FA)</p> <p>*105 min.</p>

Latch set			
	<ul style="list-style-type: none"> - For interior roll-out applications - Latch must be mounted on the front piece - Material: Nylon - Specify color when ordering indium gray (IG-M) or silk white (SW-M) 		
	<p>Part no.</p> <table border="1"> <tr> <td>IG-M</td> <td>SW-M</td> <td>Z17.0M07</td> </tr> </table>	IG-M	SW-M
IG-M	SW-M	Z17.0M07	

MERIVOBOX outside cover caps

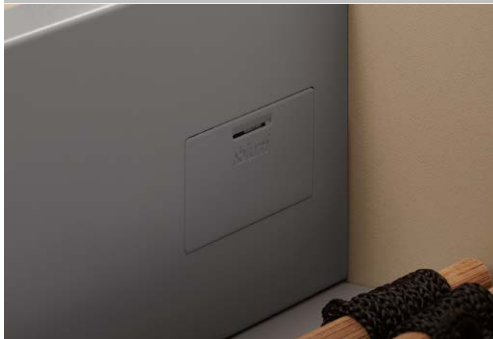
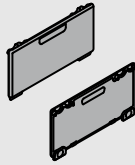



- For use with MERIVOBOX drawers
- Non-handed, symmetrical design
- Custom logo printing available
- Specify color when ordering
indium gray (IG-M) or silk white (SW-M)

Part no.

IG-M	SW-M	ABD.1000
------	------	----------

MERIVOBOX inside cover caps


- For use with M and E height MERIVOBOX applications
- Non-handed, symmetrical design
- Covers adjustment area on the inside of the drawer profile
- Specify color when ordering
indium gray (IG-M) or silk white (SW-M)

Part no.

IG-M	SW-M	ZA4.5400BT
------	------	------------

Side spacer

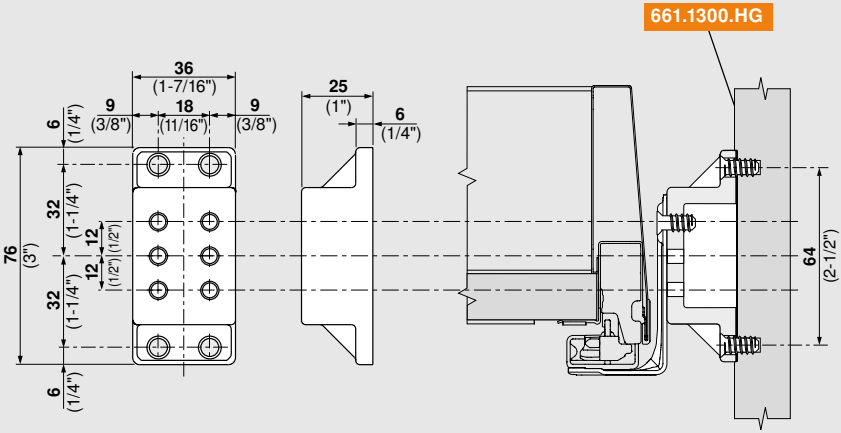
For spacing cabinet profiles for clearance on interior roll-out trays



Part no.

Spacer	T59.3570
POZI installation screw	661.1300.HG

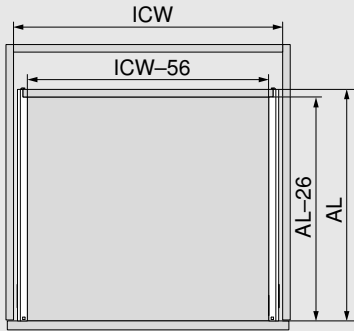
Side spacer application



661.1300.HG

NOTE: Use two on 450 series and three on 453 series

Cutting dimensions for drawer liner inserts (inserts not offered by Blum)

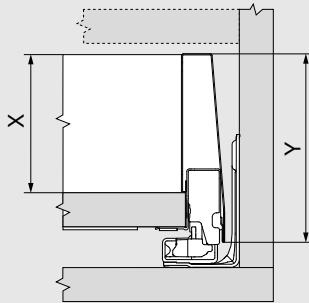


Length

Actual cabinet profile length (AL) of drawer side - 26 mm

Width

Inside cabinet width (ICW) - 56 mm



Height X of inner drawer side	Height Y of outer drawer side
M Height - 67 mm (2-41/64")	M Height - 91 mm (3-9/16")
E Height - 168 mm (6-39/64")	E Height - 192 mm (7-9/16")

Cabinet profile template

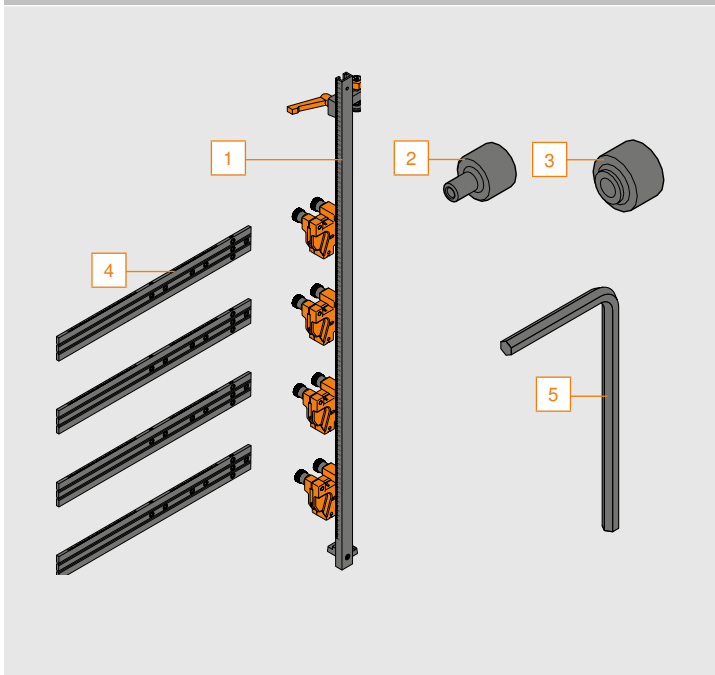


- Used for pre-boring holes for LEGRABOX, TANDEMBOX, MERIVOBX, and TANDEM drawer runners
- Can also be used to pre-bore AVENTOS locating pins and pre-boring for hinge mounting plates

Part no.

Cabinet profile template	65.1000.01
Replacement template	65.1001.01
Ø2.5 mm drill bit	DB-2.5mm

Components



Cabinet profile template includes:

- 1 Rail, 1 meter long (qty 1)
- 2 Ø2.5 mm stop collar (qty 1)
- 3 Ø5 mm stop collar (qty 1)
- 4 Replacement template (qty 4)
- 5 Allen wrench (qty 1)

Universal individual template



- Used for pre-boring holes for LEGRABOX, TANDEMBOX, MERIVOBX, and TANDEM drawer runners
- Can also be used to pre-bore for AVENTOS locating pins and pre-boring for hinge mounting plates
- Calibrated scales for accurate setting

Set includes:

- Universal individual template
- Ø2.5 mm and Ø5 mm stop collars

Part no.

Universal individual template

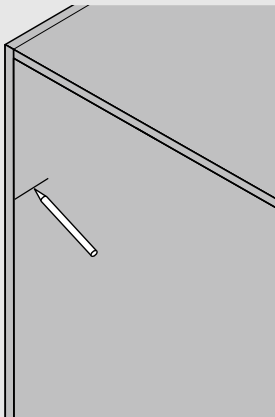
65.1051.02

Ø2.5 mm drill bit

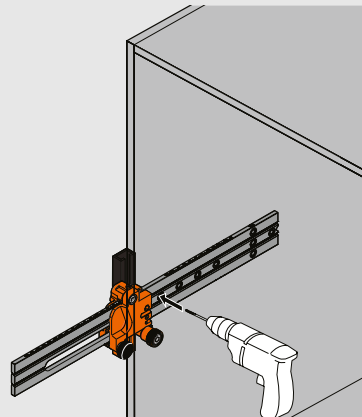
DB-2.5mm

Pre-boring for cabinet profile mounting holes

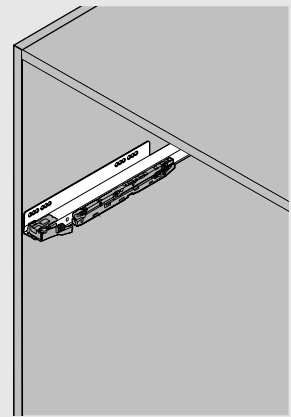
1 Mark position



2 Line up template with mark and pre-bore required holes



3 Attach runner

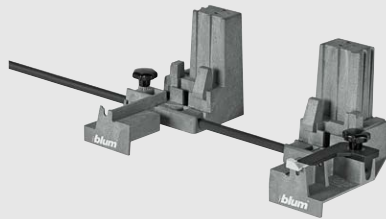


BOXFIX plus


- Pneumatic assembly device for the efficient assembly of drawers and high fronted pull-outs
- Assembly type: Screws (or nails)
- Actual cabinet profile length: 270 mm–650 mm
- Cabinet width: 275 mm–1200 mm
- Can be used for chipboard back and steel back

Part no.

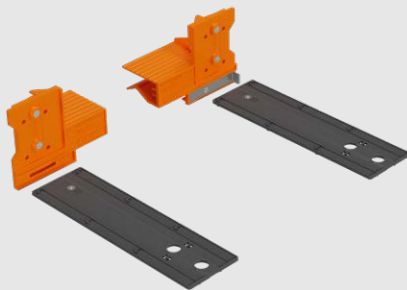
BOXFIX plus

ZMM.2500
BOXFIX E-M


- Convenient device for fast assembly of MERIVOBX
- All MERIVOBX components are assembled seamlessly with great precision
- For all drawer side materials
- Assembly type: Screws
- Actual cabinet profile length: 270 mm–650 mm
- Cabinet width: 250 mm–1200 mm
- Material: Nylon/steel

Part no.

BOXFIX E-M

ZMM.0400
Marking template for MERIVOBX


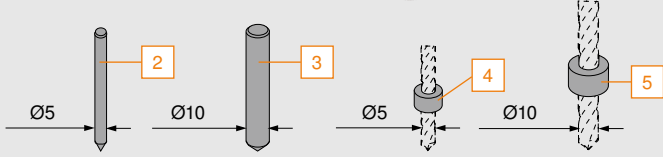
- Template for marking the fixing positions of front fixings
- Material: Nylon/steel

Part no.

Marking template for MERIVOBX

ZML.4010

Universal boring template



Set includes:

- 1 Template
- 2 Ø5 mm marking pin
- 3 Ø10 mm marking pin
- 4 Ø5 mm stop collar
- 5 Ø10 mm stop collar

- Used for boring drawer fronts, located all fixing positions
- Used to pre-bore for drawer fronts, bottoms and backs for LEGRABOX, TANDEMBOX, METABOX and MERIVOBX drawer systems, also AVENTOS mounting plates

Part no.

Universal boring template	ZML.0040.02
Ø5 mm drill bit	DB-5mm
Ø10 mm drill bit	DB-10mm

MINIPRESS P – Deluxe boring and insertion machine



- Front adjustable boring distance with digital counter
 - Pneumatic hold-down clamps
 - Boring depth adjustment
 - Ruler stops (qty 4)
 - Tool kit included
 - Dust collection attachment
 - Optional laser center line set
 - Accepts 8 or 9 spindle heads
- | | |
|---------------------------|--------------------|
| Part no. | |
| Single phase – 220V power | M53.1053*US |
| Three phase – 220V power | M53.1004*US |

MINIPRESS M – 110V manual boring and insertion machine



- 110V power with molding plug (portable)
 - Does not require pressurized air
 - Ruler stops (qty 4)
 - Tool kit included
 - Dust collection attachment
 - Accepts 8 or 9 spindle heads
- | | |
|---------------------------|--------------------|
| Part no. | |
| Single phase – 110V power | M52.1056*US |

EASYSTICK



- Automatically moves stops for exact drilling locations for all Blum products
 - Built-in cabinet configurator for cabinet design with integrated Blum hardware
 - Available as upgrade for MINIPRESS P (models 2007 and newer)
- | | |
|---|-----------------|
| Part no. | |
| Computer | MZD.5000 |
| Fence - overall 1700 mm* | MZD.2000 |
| Fence extensions - additional 1700 mm** | MZD.2V00 |
| Support for extension ruler | M2V.2E00 |

*Maximum position 953 mm from center
 **1700 mm each side

8 spindle head



- 8 spindle head for use with MINIPRESS/MINIDRILL M53
- Bores eight holes spaced 32 mm apart, perpendicular to the fence
- Quick-disconnect chucks
- Once aligned, does not require additional adjustment
- Bores all METABOX/TANDEMBOX/LEGRABOX/MERIVOBX front fixing brackets and galleries
- Bores cabinet side panels for all Blum runner systems
- Requires retrofit set for use with machines produced in 2009 or prior

Includes:

- Ø3 mm allen wrench
- Distance spacer
- Drive pin
- Air hose

Part no.

8 spindle head	MZK.880S
Chuck cover cap	M30.1329

9 spindle head



- 9 spindle head for use with MINIPRESS/MINIDRILL M53
- Bores nine holes spaced 32 mm apart, parallel to the fence
- Quick-disconnect chucks
- Once aligned, does not require additional adjustment
- Bores cabinet side panel for 32 mm system boring for Blum mounting plates and runners
- Requires retrofit set for use with machines produced in 2009 or prior

Includes:

- Ø3 mm allen wrench
- Distance spacer
- Drive pin
- Air hose

Part no.

9 spindle head	MZK.190S
Chuck cover cap	M30.1329

Our Services at a Glance

Our services support you throughout your entire process – from planning and design, all the way through to manufacturing. Take advantage of our tried-and-tested and user-friendly services for your projects with MERIVOBOX.



Planning, design, quoting

Product Database offers specific product details, photos and CAD data. Our Product Configurator provides you with checked and complete parts lists specifically for your application.



Ordering

To make it easy to order your MERIVOBOX configuration, you can manage your different projects and order lists with ease under “My Projects” and “My Order Lists.”



Manufacturing

CAM data can be downloaded from the Product Configurator to assist you during the cabinet manufacturing process. Have a Blum EASYSTICK? Transfer BXF files from the Product Configurator directly to your machine.



Assembly, installation

Download our EASY ASSEMBLY app for quick access to assembly and installation instruction sheets and videos. The easy-to-use interface allows you to filter by product type. Save your most used products to your favorites to find the information again quickly.



Marketing

Using our free Marketing Media Library, you can find photos, videos and logos to assist you in your own marketing efforts.



Sign up now for a free E-SERVICES account.
e-services.blum.com



Find out more about our E-SERVICES:
blum.com/e-services

Part No.	Page No.	Part No.	Page No.
450.2701B	13	MZD.5000	54
450.3501B	13	MZK.190S	55
450.4001B	13	MZK.880S	55
450.4501B	13	POZI BIT #2X1	46
450.5001B	13	POZI BIT #2X2	46
450.5501B	13	POZI DRIVER	46
450.6001B	13	SHORT TORX DRIVER	46
453.4501B	13	T59.3570	48
453.5001B	13	TORX DRIVER	46
453.5501B	13	VPB-5	46
453.6001B	13	Z96.10E1	47
470M2702S	13	ZA4.5400BT	48
470M3502S	13	ZB4E000S	17
470M4002S	13	ZB4M000S	13
470M4502S	13	ZF4.1002	17
470M5002S	13	ZF4.10I2	17
470M5502S	13	ZF4.5002	21
470M6002S	13	ZF4.50I2	21
606N	46	ZI4.0MS1	29
606P	46	ZI7.0M07	47
609.1500	13	ZL4.270S.E	25
612TH	13	ZL4.350S.E	25
65.1000.01	50	ZL4.400S.E	25
65.1001.01	50	ZL4.450S.E	25
65.1051.02	51	ZL4.500S.E	25
661.1300.HG	46	ZL4.550S.E	25
661.1450.HG	13	ZL4.600S.E	25
7074N	46	ZL4M00808	21
707N	46	ZML.0040.02	53
ABD.1000	48	ZML.4010	52
BIT HOLDER	46	ZMM.0400	52
DB-10mm	53	ZMM.2500	52
DB-2.5mm	51	ZR4.1059U	33
DB-5mm	53	ZR4.270RS.E	17
M01.ZB05.D2	46	ZR4.350RS.E	17
M01.ZB05.D3	46	ZR4.400RS.E	17
M01.ZB10.02	46	ZR4.450RS.E	17
M01.ZB10.03	46	ZR4.500RS.E	17
M2V.2E00	54	ZR4.550RS.E	17
M30.1329	55	ZR4.600RS.E	17
M52.1056*US	54	ZS4.400MU	47
M53.1004*US	54	ZS4.650MU	47
M53.1053*US	54	ZV4.1042M	29
MZD.2000	54		
MZD.2V00	54		



moving ideas

At Blum, we pay attention to those small, but valuable, details. We're attentive in everything we do. With our carefully engineered hardware, innovative motion technologies and customized services, we help move your ideas forward. Let's move the world together.



Quality of living

We engineer our products with your lifetime in mind. As your mobility needs change, Blum hardware keeps your cabinets accessible.



Product range

Everything from a single source: Our wide range of products allows you to keep up with the trends of today and tomorrow.



Inspiration

We monitor global trends and strive to create the solutions of tomorrow. We like to share our insights with you.



Innovation

We stay in motion. Our curiosity and pioneering spirit drive us to develop new products and services for you.



Services

We support your daily operations with customized services tailored to your processes.



Quality

We continuously strive to improve our products, services and ourselves.



Trust

It's our goal to build lasting relationships with our customers, employees and in our community.

Julius Blum started our journey in 1952 with horseshoe studs. Today we supply innovative hardware to customers in over 120 countries.

Please visit blum.com for information on other Blum products
LIT.MVX1200.0.1.24 Ident. 08280997 © 2024 Blum, Inc.

Blum, Inc.
7733 Old Plank Rd.
Stanley, NC 28164
800-438-6788
blum.com

