



LEGRABOX

Premium Metal Drawer System

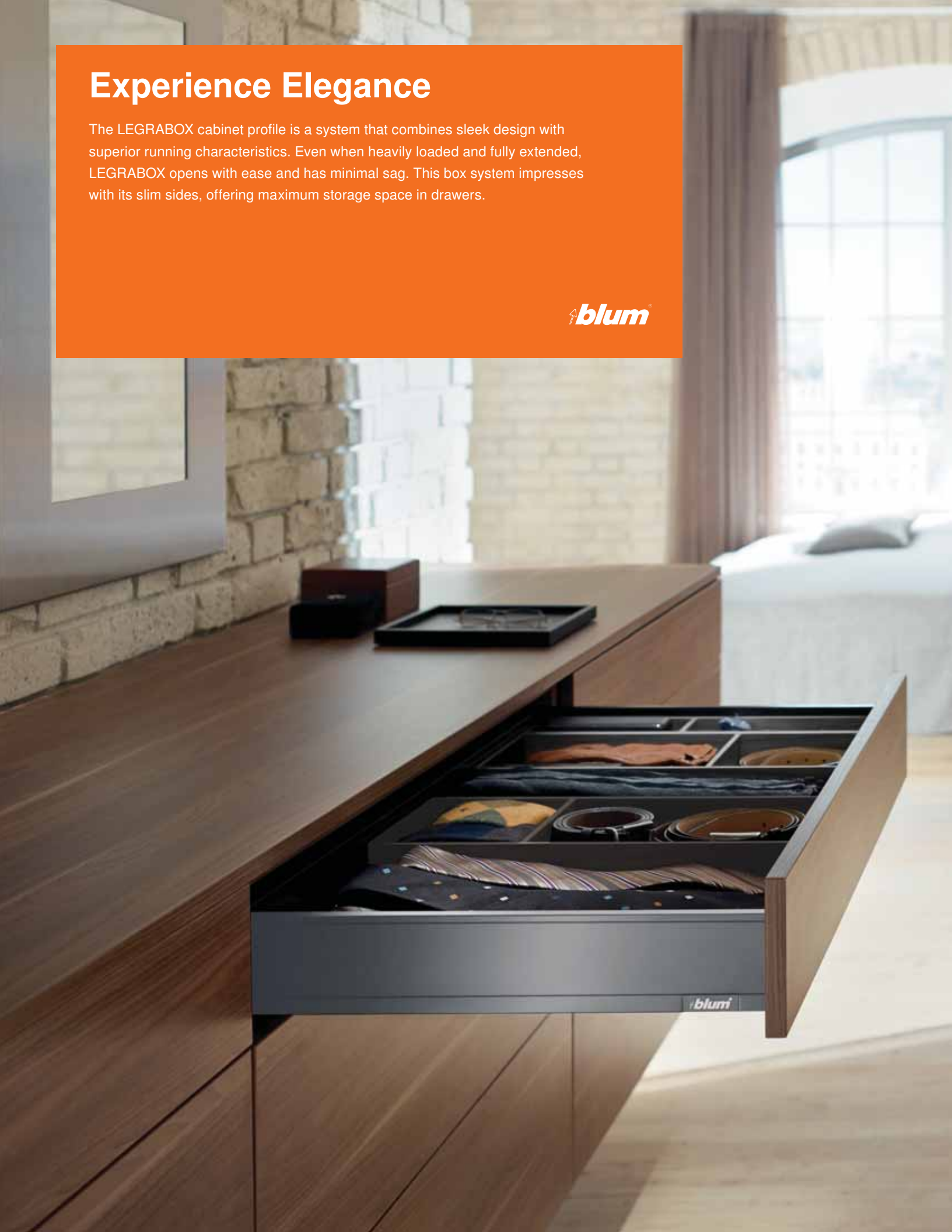
blum.com

 **blum**[®]

Experience Elegance

The LEGRABOX cabinet profile is a system that combines sleek design with superior running characteristics. Even when heavily loaded and fully extended, LEGRABOX opens with ease and has minimal sag. This box system impresses with its slim sides, offering maximum storage space in drawers.

blum



Contents

LEGRABOX

- 4** Testing Standards
- 5** Fascinating Technology
- 6** Design and Features
- 8** Using the Catalog
- 9** Drawer Assembly and Removal
- 10** Adjustment and Online Resources
- 11** Program Overview
- 12** V1 Packaging
- 18** N Height Drawer
- 22** M Height Drawer
- 26** K Height Drawer
- 30** C Height Drawer
- 34** F Height Drawer
- 38** M Height Interior Roll-out
- 42** K Height Interior Roll-out
- 46** C Height Interior Roll-out
- 50** Assembly Instructions
- 52** Wraparound Sink Drawer
- 56** TIP-ON BLUMOTION
- 62** Assembly Aids
- 66** Machines
- 68** METAFILE for LEGRABOX
- 69** Accessories
- 74** AMBIA-LINE
- 79** Part Number Index

ANSI/BHMA Testing Standards

What is shown in the brochure is based on ANSI/BHMA standards.

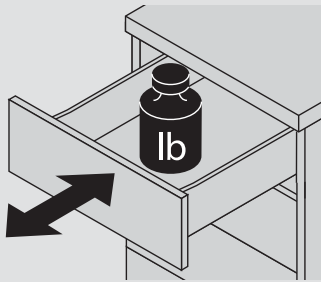
- 125 lb static, 110 lb dynamic for LEGRABOX 750 series
- 170 lb static, 155 lb dynamic for LEGRABOX 753 series

Blum's Testing Standards

Blum, Inc. is ISO 9001 certified which means that you are assured of consistent quality in every Blum product. All Blum runners must pass these tests without showing a measurable reduction in performance or deviation in adjustment position. Testing standards vary between products and applications.

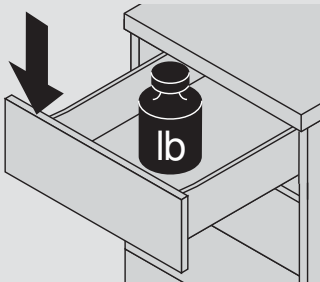
All Blum runners meet or exceed ANSI/BHMA 156.9 grade 1 requirements.
Contact your local Blum representative for more details.

Dynamic Wear Test



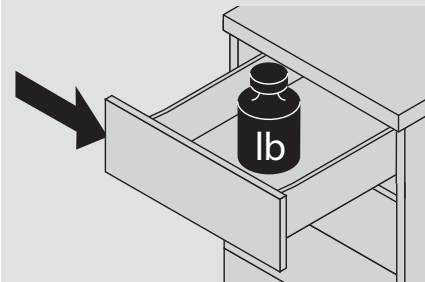
100,000 open/close cycles with a total load of 88 lb on LEGRABOX 750 and 155 lb on LEGRABOX 753 550 (22") drawers.

Static Load Test



10 times for 10 seconds each time when completely extended, 66 lb is applied to the corner of the drawer front of a fully loaded drawer.

Side Pressure Test



10 times for 10 seconds each time when completely extended, 44 lb is applied to the side of the drawer front of a fully loaded drawer.



General Information

All Blum hardware undergoes strict quality control procedures through all stages of production. Blum hardware is designed for cabinets and cabinet components made from wood, melamine or MDF. Careful attention must be paid to installation and operating instructions when using Blum hardware (see catalogs and instruction sheets for all technical information). The manufacturer must decide on the screws or attachment methods to suit the material being used (i.e. wood, melamine, etc.). The hardware must not be exposed to acidic or corrosive materials (i.e. some household cleaning solutions). To ensure that Blum hardware functions correctly, it must be kept clean and undamaged. For any additional information please contact your Blum representative. Anyone selling Blum hardware must ensure that their customer is aware of any relevant information given in this catalog.

Care and cleaning – use a clean damp cloth.

Conditions of Sale and Delivery

All deliveries and services are based on the “general conditions of sale” which are available upon request. The technical presentations and dimensions in illustrations are non-binding. We reserve the right to make changes to specifications at any time. We do not accept any responsibility for any errors which may occur in the production of this catalog.

Fascinating Technology

The technology behind LEGRABOX makes this runner system even easier to open. The motion technology designed into the drawer profile and roller carriage creates a fluid running action in this unrivaled drawer, even under heavy loads.

blum



Heavy Load Capacity

The cabinet profile has increased stability along the length of the runner. Even wide, heavy drawers experience a smooth running action, thanks to a high static carrying capacity of 125 and 170 lbs.



Stability for Tall Fronts

A new front fixing bracket guarantees maximum stability when opening and closing of tall drawer fronts.

LEGRABOX



Design

Refined, Luxurious Finishes

LEGRABOX in matte Orion gray, matte Silk white or brushed Stainless steel complement a wide range of colors and materials.

Ordering Codes

- OG-M (Orion gray)
- SW-M (Silk white)*
- INGL (Stainless steel)

*Silk white coming soon



Sleek Design

Impressively slim 1/2" drawer sides, which are straight on both the inside and out, provide a sleek look while maximizing usable interior drawer space.

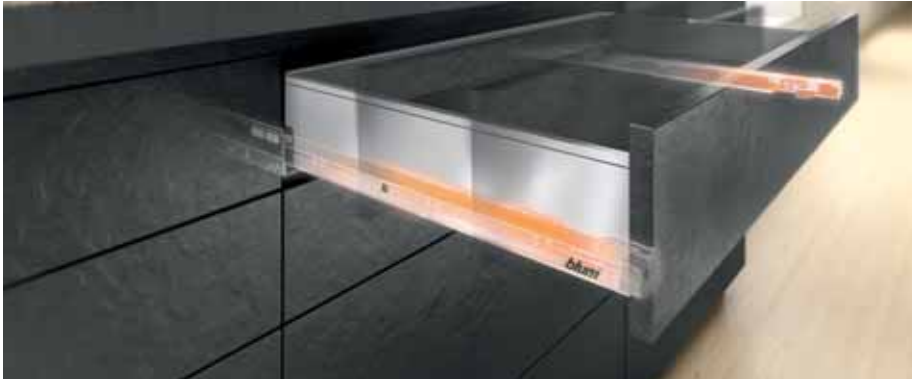


Versatility

The versatile LEGRABOX program allows for a wide range of design options for any kitchen, bath or cabinet application.

LEGRABOX combines design and function for well-balanced solutions creating elegance in motion.





BLUMOTION

BLUMOTION adapts to different weights and closing forces to give a smooth and silent close every time. Whether it is a small top drawer or a wide deep drawer, BLUMOTION guarantees the soft close you have come to expect from Blum.



TIP-ON BLUMOTION

With TIP-ON BLUMOTION for LEGRABOX, we have combined the mechanical opening of TIP-ON, LEGRABOX's smooth running action, and the reliable soft close of BLUMOTION.



SERVO-DRIVE

SERVO-DRIVE enables drawers to open automatically with just a touch of the drawer front or with a light pull of the handle. This unique feature is based on an electrical drive unit that, once activated, opens the drawer for you.



AMBIA-LINE

Stylish and functional, AMBIA-LINE drawer organization system creates a clean, harmonious look to the interior of your drawer. Stored items are always organized, easy to find and readily accessible. Other organizational options also include our kitchen accessories.

Application Page

Provides details of the application and an overview of the parts that make up the drawer

LEGRABOX **N Height Drawer**

Application

Features

- Full extension drawer system with BLUMOTION
- Smooth running action
- Two-dimensional drawer front adjustment
- Static load capacity of 125 lb
- Drawer profile height 66.5 (2-5/8")
- Compatible with TIP ON BLUMOTION and SERVO DRIVE

Space Requirements

AL = Actual cabinet profile length
Minimum opening height based on 3 (1/8") clearance

Components

NOTE: Parts identified on right page
TIP ON BLUMOTION: Enables drawers to be opened with a light touch to the front and retain BLUMOTION soft closing action [page 52](#)

18 | © 2020 Blum, Inc. Subject to technical modifications without notice

Required Parts

Contains all necessary components with part numbers listed to order the drawer

Required Parts **LEGRABOX**

Cabinet and drawer profile sets

Set includes:

- Left and right profile
- Drawer profiles include color coordinated cover cap

1 Cabinet profile

2 Drawer profile

Stainless steel (INCL)
Orion gray (OG-M)
Silk white (SW-M)

Nominal length	Actual cabinet profile length	125 lb	Orion gray/Silk white	Stainless steel
18"	450 (17-11/16")	750.45015	770N5023	870N5050
20"	500 (19-11/16")	750.50015	770N5025	770N5020
22"	550 (21-5/8")	750.55015	770N5025	770N5020

Installation wood screw: 707N, 612TH, 612TH
Installation system screw: 661.1300-100

Front fixing bracket

EXPANDO

Two required per drawer

Part no.
EXPANDO: 2F7N70E2
Screw on: 2F7N7002

* Use of #6 x 5/8" wood screw is recommended

Rear fixing bracket set

Set includes:

- Left and right bracket
- Orion gray (OG-M) or Silk white (SW-M)
- Specify color when ordering

Part no.
Rear fixing bracket set: 2R7N6002
Installation screw: 612TH

Dimensions in millimeters (inch equivalents as noted) | © 2020 Blum, Inc. | 19

Installation Dimensions

Cabinet profile installation and cutting dimensions for the bottom and back of the drawer

LEGRABOX **N Height Drawer**

Cabinet profile installation

Profile mounting position detail

NOTE: The orange dots indicate fixing screw locations required to meet specified load ratings

Cutting dimensions for bottom and back

1 Drawer bottom
Width = Inside cabinet width minus 35 (1-3/8")
Length = Actual cabinet profile length minus 10 (1/32")

2 Drawer back
Width = Inside cabinet width minus 28 (1-1/2")
Height = 29 (1-17/32")

AL = Actual cabinet profile length
ICW = Inside cabinet width

NOTE: Use 16 (5/8") material for bottom and back

Assembly Aids [page 52](#) | **Accessories** [page 60](#) | **Index** [page 7](#)

20 | © 2020 Blum, Inc. Subject to technical modifications without notice

Specifications

Front and rear fixing bracket installation specifications

Specifications **LEGRABOX**

Front fixing bracket installation

Pre-boring dimensions for EXPANDO only, for screw on pre-bore Ø2 x 2.5

Rear fixing bracket installation

Bottom boring distance

Pre-bore dimension Ø 2.5 x 2

Dimensions in millimeters (inch equivalents as noted) | © 2020 Blum, Inc. | 21

Step 1

Measure inside cabinet width (ICW)

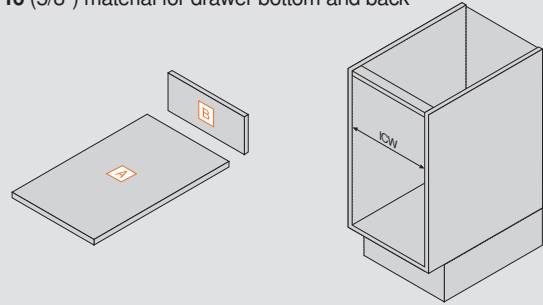
Use inside cabinet width (ICW) to calculate the drawer bottom and back dimensions. Formulas are found on the specification page of each application.

M Height example:

- A** Drawer bottom: Width = ICW minus **35** (1-3/8")
Length = Actual cabinet profile length minus **10** (13/32")
- B** Drawer back: Width = ICW minus **38** (1-1/2")
Height = **63** (2-15/32")

For best assembly results, use BOXFIX E-L.

Use **16** (5/8") material for drawer bottom and back

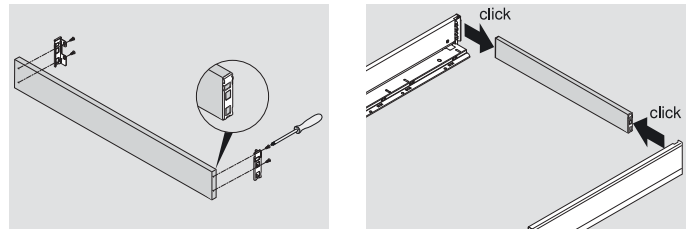


NOTE: Minimum inside cabinet width without TIP-ON BLUMOTION = **148** (5-13/16")

Step 2

Attach drawer back

Rear fixing brackets are attached with #6 x 1/2" truss head screws (612TH). The drawer back, with rear fixing brackets attached, snaps into the rear of both drawer profiles.

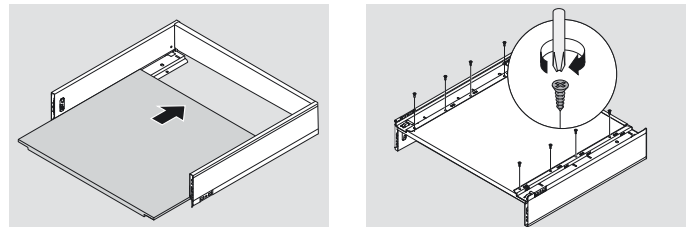


Step 3

Drawer bottom installation

The drawer bottom slides into the drawer profiles.

Push the drawer bottom flush with the front of the drawer.
Pre-bore and attach with wood screws (612TH).

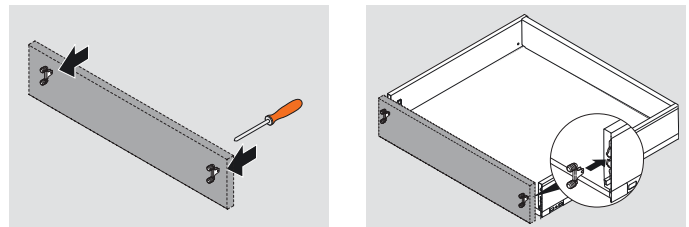


Step 4

Attach drawer front

Follow the installation drawing for locating hole positions for front fixing brackets and pre-bore the necessary EXPANDO Ø10 x 12 holes (screw-on versions also available). Insert front fixing bracket into pre-bored holes and screw as shown to secure.

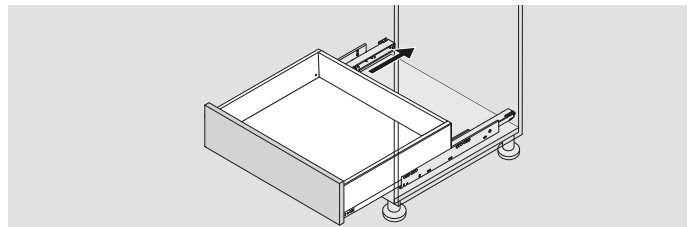
Snap drawer front onto drawer.



Step 5

Drawer box installation

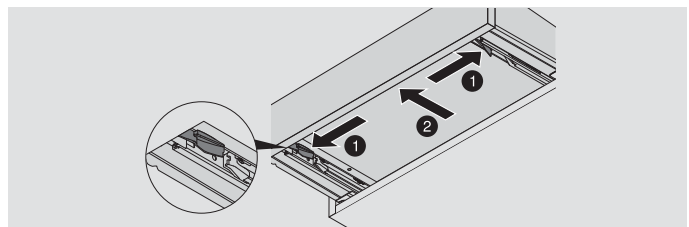
Place drawer box onto cabinet profiles and insert drawer box into cabinet.



Drawer Removal

Drawer box removal

Pull drawer forward to reveal locking devices. Squeeze triggers on locking device and lift drawer box off of runners.



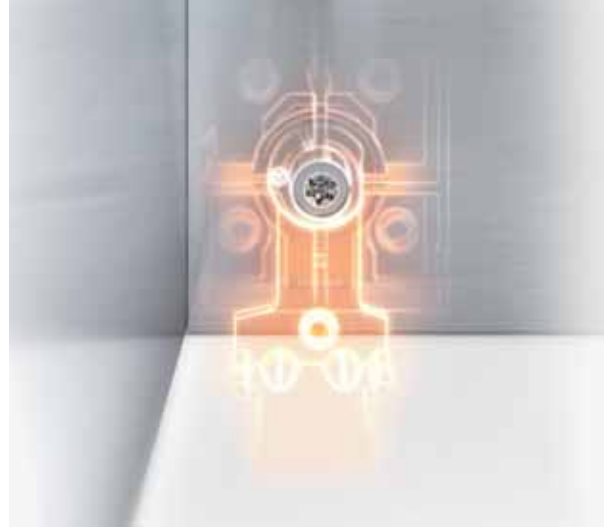
Additional installation instructions available on blum.com/legraboxinstallation

One of the many benefits of the LEGRABOX system is the fully integrated, three-dimensional adjustment mechanism. Height and side adjustments can be made easily on the inside of the drawer profile, beneath the cover cap, and the tilt adjustment is located at the rear of the profile. Additionally, all adjustments are made using a T20 TORX driver (see page 72).

Height Adjustment



Tilt Adjustment



Side Adjustment



Front Removal

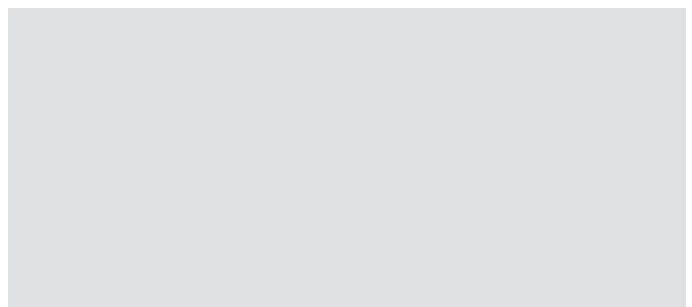
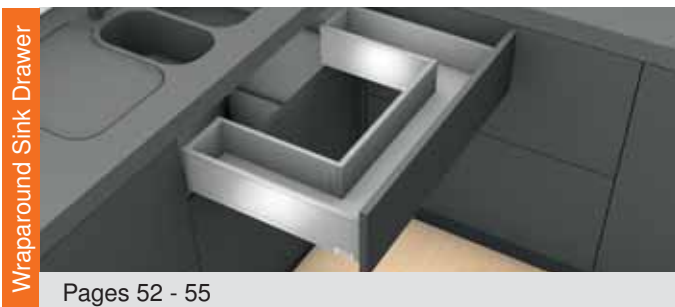


Online Resource for Planning

Easy Planning

Blum offers many online tools to help you with your kitchen planning and ordering. Online Product Configurator (OPC) offers a parts list and planning information based on your specifications. Once complete, your results can then be exported to a shareable document.

OPC is easily accessible on our website at blum.com/configurator

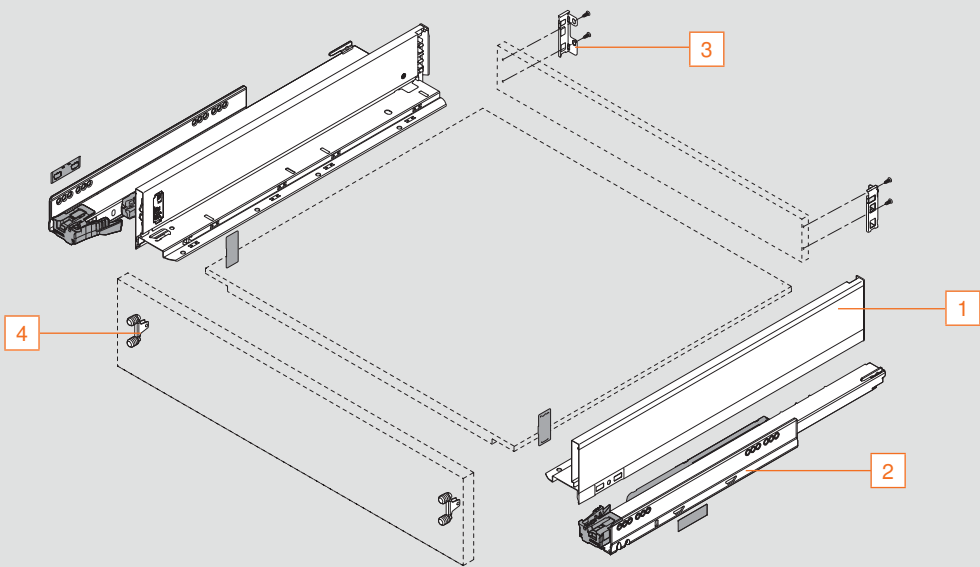


Ordering LEGRABOX is easy with V1 packaging that includes all parts needed to start building a drawer.

***Silk white coming soon**

Drawer set includes:

- 1) 1 pair of drawer profiles
* Color coordinated cover caps included in a drawer profile box inside the kit
- 2) 1 pair of cabinet profiles
- 3) 1 pair of rear fixing brackets
- 4) 1 set of front fixing brackets



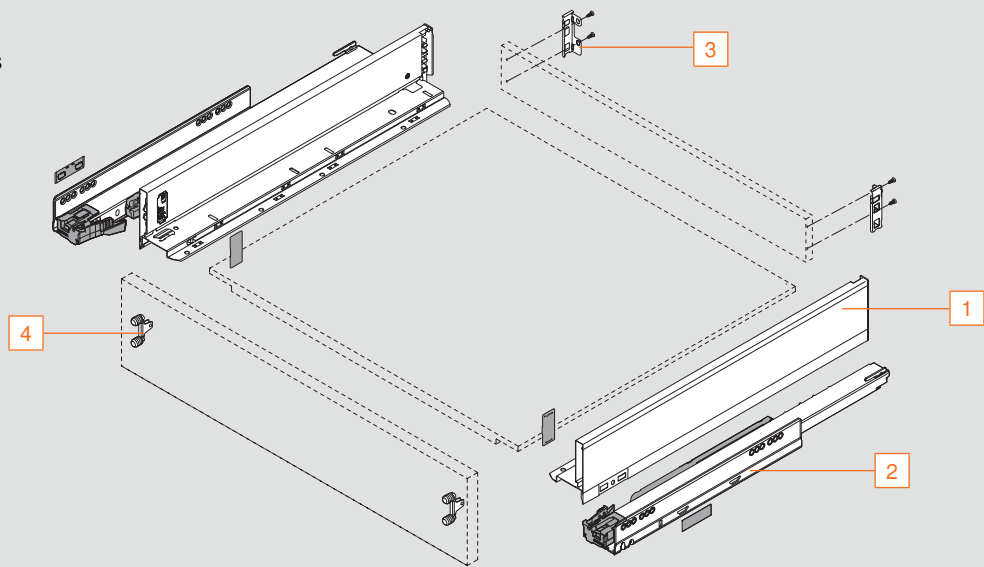
125 lb LEGRABOX Silk White Drawer Sets	
Reference Number	Description
N Height	
770N45S0S	450 mm (18" Nominal length)
770N50S0S	500 mm (20" Nominal length)
770N55S0S	550 mm (22" Nominal length)
M Height	
770M27S0S	270 mm (11" Nominal length)
770M35S0S	350 mm (14" Nominal length)
770M40S0S	400 mm (16" Nominal length)
770M45S0S	450 mm (18" Nominal length)
770M50S0S	500 mm (20" Nominal length)
770M55S0S	550 mm (22" Nominal length)
K Height	
770K35S0S	350 mm (14" Nominal length)
770K40S0S	400 mm (16" Nominal length)
770K45S0S	450 mm (18" Nominal length)
770K50S0S	500 mm (20" Nominal length)
770K55S0S	550 mm (22" Nominal length)
C Height	
770C27S0S	270 mm (11" Nominal length)
770C35S0S	350 mm (14" Nominal length)

125 lb LEGRABOX Silk White Drawer Sets	
Reference Number	Description
C Height	
770C40S0S	400 mm (16" Nominal length)
770C45S0S	450 mm (18" Nominal length)
770C50S0S	500 mm (20" Nominal length)
770C55S0S	550 mm (22" Nominal length)
F Height	
770F40S0S	400 mm (16" Nominal length)
770F45S0S	450 mm (18" Nominal length)
770F50S0S	500 mm (20" Nominal length)
770F55S0S	550 mm (22" Nominal length)
170 lb LEGRABOX Silk White Drawer Sets	
Reference Number	Description
M Height	
773M45S0S	450 mm (18" Nominal length)
773M50S0S	500 mm (20" Nominal length)
773M55S0S	550 mm (22" Nominal length)
773M60S0S	600 mm (24" Nominal length)
773M65S0S	650 mm (26" Nominal length)
K Height	
773K45S0S	450 mm (18" Nominal length)
773K50S0S	500 mm (20" Nominal length)
773K55S0S	550 mm (22" Nominal length)
C Height	
773C45S0S	450 mm (18" Nominal length)
773C50S0S	500 mm (20" Nominal length)
773C55S0S	550 mm (22" Nominal length)
773C60S0S	600 mm (24" Nominal length)
773C65S0S	650 mm (26" Nominal length)
F Height	
773F45S0S	450 mm (18" Nominal length)
773F50S0S	500 mm (20" Nominal length)
773F55S0S	550 mm (22" Nominal length)
773F65S0S	650 mm (26" Nominal length)

Ordering LEGRABOX is easy with V1 packaging that includes all parts needed to start building a drawer.

Drawer set includes:

- 1) 1 pair of drawer profiles
* Color coordinated cover caps included in a drawer profile box inside the kit
- 2) 1 pair of cabinet profiles
- 3) 1 pair of rear fixing brackets
- 4) 1 set of front fixing brackets



125 lb LEGRABOX Orion Gray Drawer Sets	
Reference Number	Description
N Height	
770N45S0S	450 mm (18" Nominal length)
770N50S0S	500 mm (20" Nominal length)
770N55S0S	550 mm (22" Nominal length)
M Height	
770M27S0S	270 mm (11" Nominal length)
770M35S0S	350 mm (14" Nominal length)
770M40S0S	400 mm (16" Nominal length)
770M45S0S	450 mm (18" Nominal length)
770M50S0S	500 mm (20" Nominal length)
770M55S0S	550 mm (22" Nominal length)
K Height	
770K35S0S	350 mm (14" Nominal length)
770K40S0S	400 mm (16" Nominal length)
770K45S0S	450 mm (18" Nominal length)
770K50S0S	500 mm (20" Nominal length)
770K55S0S	550 mm (22" Nominal length)
C Height	
770C27S0S	270 mm (11" Nominal length)
770C35S0S	350 mm (14" Nominal length)

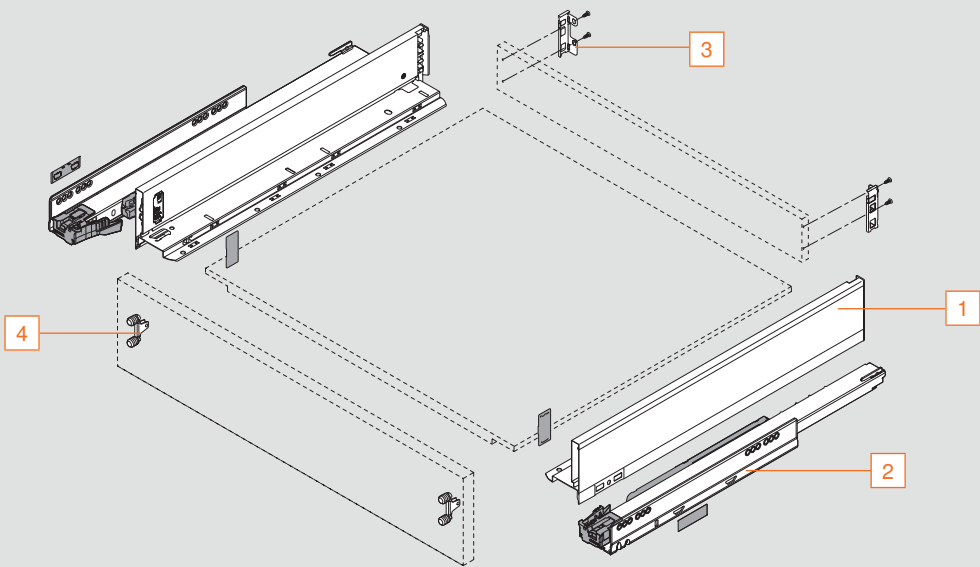


125 lb LEGRABOX Orion Gray Drawer Sets	
Reference Number	Description
C Height	
770C40S0S	400 mm (16" Nominal length)
770C45S0S	450 mm (18" Nominal length)
770C50S0S	500 mm (20" Nominal length)
770C55S0S	550 mm (22" Nominal length)
F Height	
770F40S0S	400 mm (16" Nominal length)
770F45S0S	450 mm (18" Nominal length)
770F50S0S	500 mm (20" Nominal length)
770F55S0S	550 mm (22" Nominal length)
170 lb LEGRABOX Orion Gray Drawer Sets	
Reference Number	Description
M Height	
773M45S0S	450 mm (18" Nominal length)
773M50S0S	500 mm (20" Nominal length)
773M55S0S	550 mm (22" Nominal length)
773M60S0S	600 mm (24" Nominal length)
773M65S0S	650 mm (26" Nominal length)
K Height	
773K45S0S	450 mm (18" Nominal length)
773K50S0S	500 mm (20" Nominal length)
773K55S0S	550 mm (22" Nominal length)
C Height	
773C45S0S	450 mm (18" Nominal length)
773C50S0S	500 mm (20" Nominal length)
773C55S0S	550 mm (22" Nominal length)
773C60S0S	600 mm (24" Nominal length)
773C65S0S	650 mm (26" Nominal length)
F Height	
773F45S0S	450 mm (18" Nominal length)
773F50S0S	500 mm (20" Nominal length)
773F55S0S	550 mm (22" Nominal length)
773F65S0S	650 mm (26" Nominal length)

Ordering LEGRABOX is easy with V1 packaging that includes all parts needed to start building a drawer.

Drawer set includes:

- 1) 1 pair of drawer profiles
* Color coordinated cover caps included in a drawer profile box inside the kit
- 2) 1 pair of cabinet profiles
- 3) 1 pair of rear fixing brackets
- 4) 1 set of front fixing brackets



125 lb LEGRABOX Stainless Steel Drawer Sets	
Reference Number	Description
N Height	
770N45S0I	450 mm (18" Nominal length)
770N50S0I	500 mm (20" Nominal length)
770N55S0I	550 mm (22" Nominal length)
M Height	
770M27S0I	270 mm (11" Nominal length)
770M35S0I	350 mm (14" Nominal length)
770M40S0I	400 mm (16" Nominal length)
770M45S0I	450 mm (18" Nominal length)
770M50S0I	500 mm (20" Nominal length)
770M55S0I	550 mm (22" Nominal length)
K Height	
770K35S0I	350 mm (14" Nominal length)
770K40S0I	400 mm (16" Nominal length)
770K45S0I	450 mm (18" Nominal length)
770K50S0I	500 mm (20" Nominal length)
770K55S0I	550 mm (22" Nominal length)
C Height	
770C27S0I	270 mm (11" Nominal length)
770C35S0I	350 mm (14" Nominal length)

125 lb LEGRABOX Stainless Steel Drawer Sets	
Reference Number	Description
C Height	
770C40S0I	400 mm (16" Nominal length)
770C45S0I	450 mm (18" Nominal length)
770C50S0I	500 mm (20" Nominal length)
770C55S0I	550 mm (22" Nominal length)
F Height	
770F40S0I	400 mm (16" Nominal length)
770F45S0I	450 mm (18" Nominal length)
770F50S0I	500 mm (20" Nominal length)
770F55S0I	550 mm (22" Nominal length)
170 lb LEGRABOX Stainless Steel Drawer Sets	
Reference Number	Description
M Height	
773M45S0I	450 mm (18" Nominal length)
773M50S0I	500 mm (20" Nominal length)
773M55S0I	550 mm (22" Nominal length)
773M60S0I	600 mm (24" Nominal length)
773M65S0I	650 mm (26" Nominal length)
K Height	
773K45S0I	450 mm (18" Nominal length)
773K50S0I	500 mm (20" Nominal length)
773K55S0I	550 mm (22" Nominal length)
C Height	
773C45S0I	450 mm (18" Nominal length)
773C50S0I	500 mm (20" Nominal length)
773C55S0I	550 mm (22" Nominal length)
773C60S0I	600 mm (24" Nominal length)
773C65S0I	650 mm (26" Nominal length)
F Height	
773F45S0I	450 mm (18" Nominal length)
773F50S0I	500 mm (20" Nominal length)
773F55S0I	550 mm (22" Nominal length)
773F65S0I	650 mm (26" Nominal length)

N Height Drawer

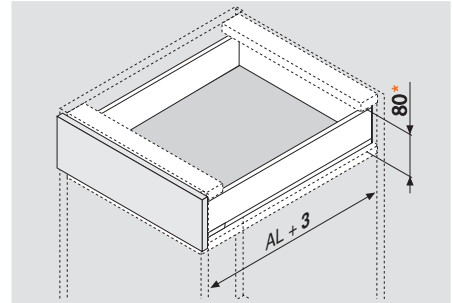
Application



Features

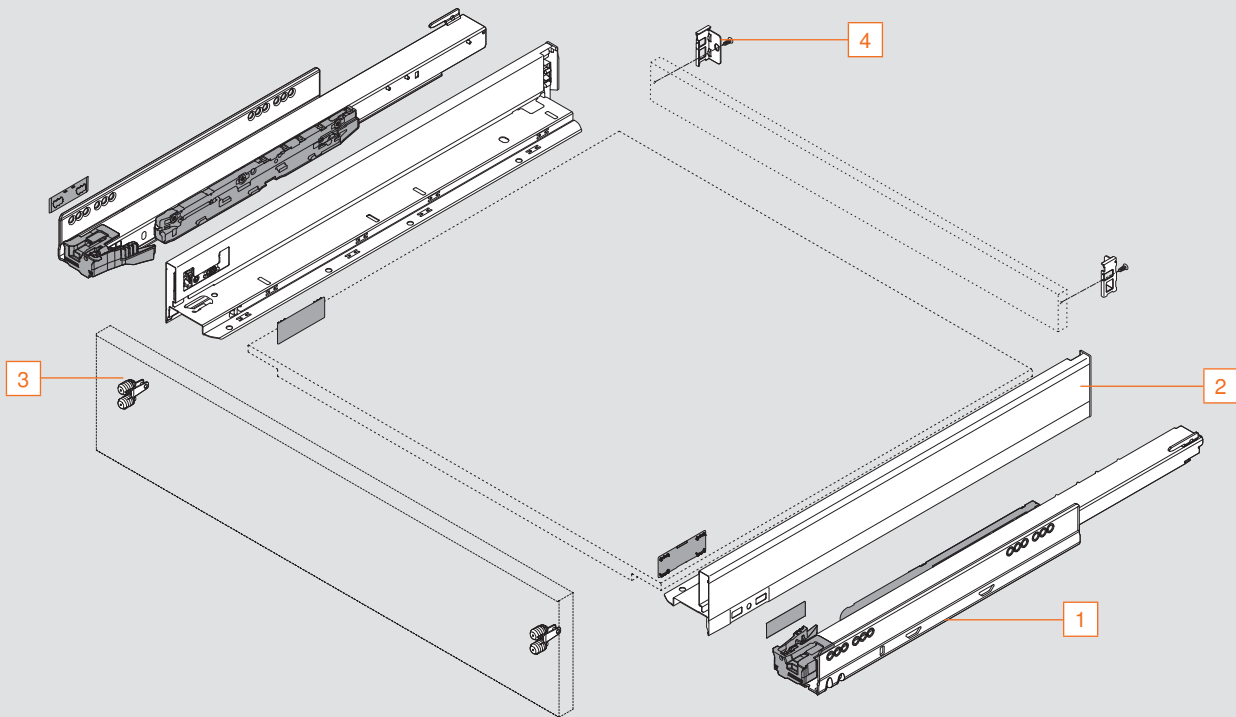
- Full extension drawer system with BLUMOTION
- Smooth running action
- Two-dimensional drawer front adjustment
- Static load capacity of 125 lb
- Drawer profile height **66.5** (2-5/8")
- Compatible with TIP-ON BLUMOTION* and SERVO-DRIVE
- **Silk white coming soon**

Space Requirements



AL = Actual cabinet profile length
 *Minimum opening height based on 3 (1/8") clearance

Components



NOTE: Parts identified on right page

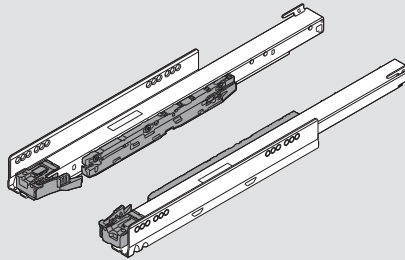
***TIP-ON BLUMOTION:** Enables drawers to be opened with a light touch to the front and retain BLUMOTION soft closing action

Cabinet and drawer profile sets

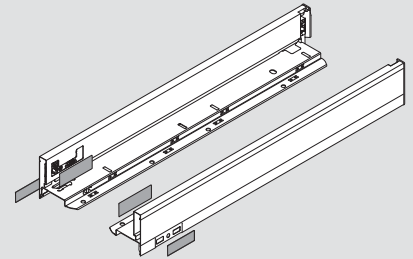
Sets include:

- Left and right profile
- Drawer profiles include color coordinated cover cap
- Specify color when ordering: Orion gray (OG-M), Silk white (SW-M)

1 Cabinet profile



2 Drawer profile



- Stainless steel (INGL)
- Orion gray (OG-M)
- Silk white (SW-M)

Nominal length	Actual cabinet profile length	125 lb		
		Orion gray/Silk white	Stainless steel	
18"	450 (17-11/16")	750.4501S	770N4502S	770N4502I
20"	500 (19-11/16")	750.5001S	770N5002S	770N5002I
22"	550 (21-5/8")	750.5501S	770N5502S	770N5502I
Installation wood screw		707N	612TH	612TH
Installation system screw		661.1300.HG		

Front fixing bracket

- Two required per drawer

EXPANDO



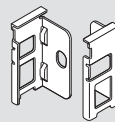
Part no.

EXPANDO	ZF7N70E2
Screw-on*	ZF7N7002

*Use of #6 x 5/8" wood screw is recommended

Rear fixing bracket set

- Set includes:
 - Left and right bracket
 - Orion gray (OG-M) or Silk white (SW-M)
 - Specify color when ordering

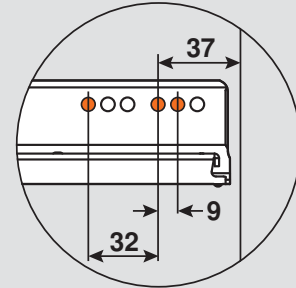
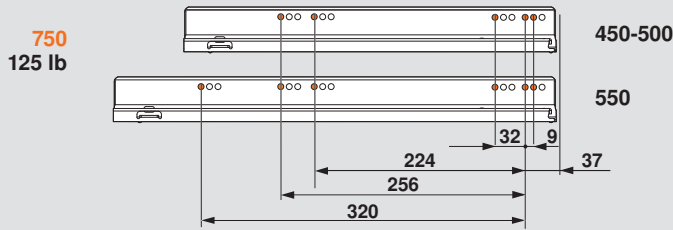


- Orion gray (OG-M)
- Silk white (SW-M)

Part no.

Rear fixing bracket set	ZB7N000S
Installation screw	612TH

Cabinet profile installation



Profile mounting position detail

NOTE: The orange dots indicate fixing screw locations required to meet specified load ratings

Cutting dimensions for bottom and back

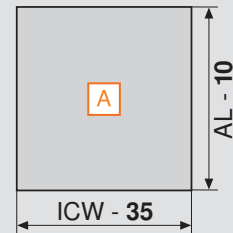
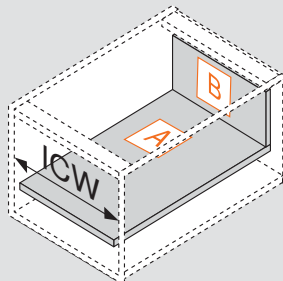
A Drawer bottom

Width = Inside cabinet width minus 35 (1-3/8")
 Length = Actual cabinet profile length minus 10 (13/32")



B Drawer back

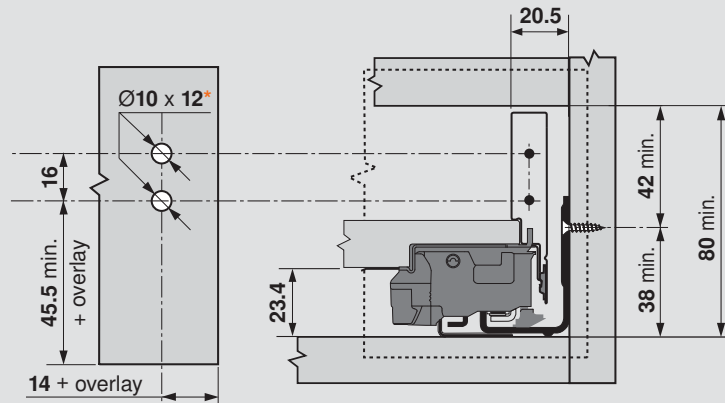
Width = Inside cabinet width minus 38 (1-1/2")
 Height = 39 (1-17/32")



AL = Actual cabinet profile length
 ICW = Inside cabinet width

NOTE: Use 16 (5/8") material for bottom and back

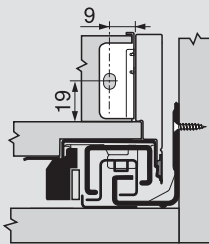
Front fixing bracket installation



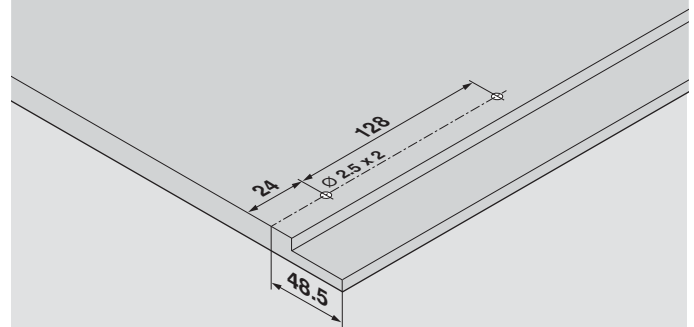
NOTE: For full drawer assembly see page 9

*Pre-boring dimensions for EXPANDO only, for screw-on pre-bore Ø2 x 2.5

Rear fixing bracket installation



Bottom boring distance



Pre-bore dimension Ø 2.5 x 2

M Height Drawer

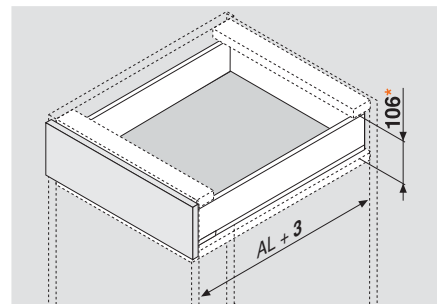
Application



Features

- Full extension drawer system with BLUMOTION
- Smooth running action
- Three-dimensional drawer front adjustment
- Static load capacity of 125 lb and 170 lb
- Drawer profile height **90.5** (3-9/16")
- Compatible with TIP-ON BLUMOTION* and SERVO-DRIVE
- **Silk white coming soon**

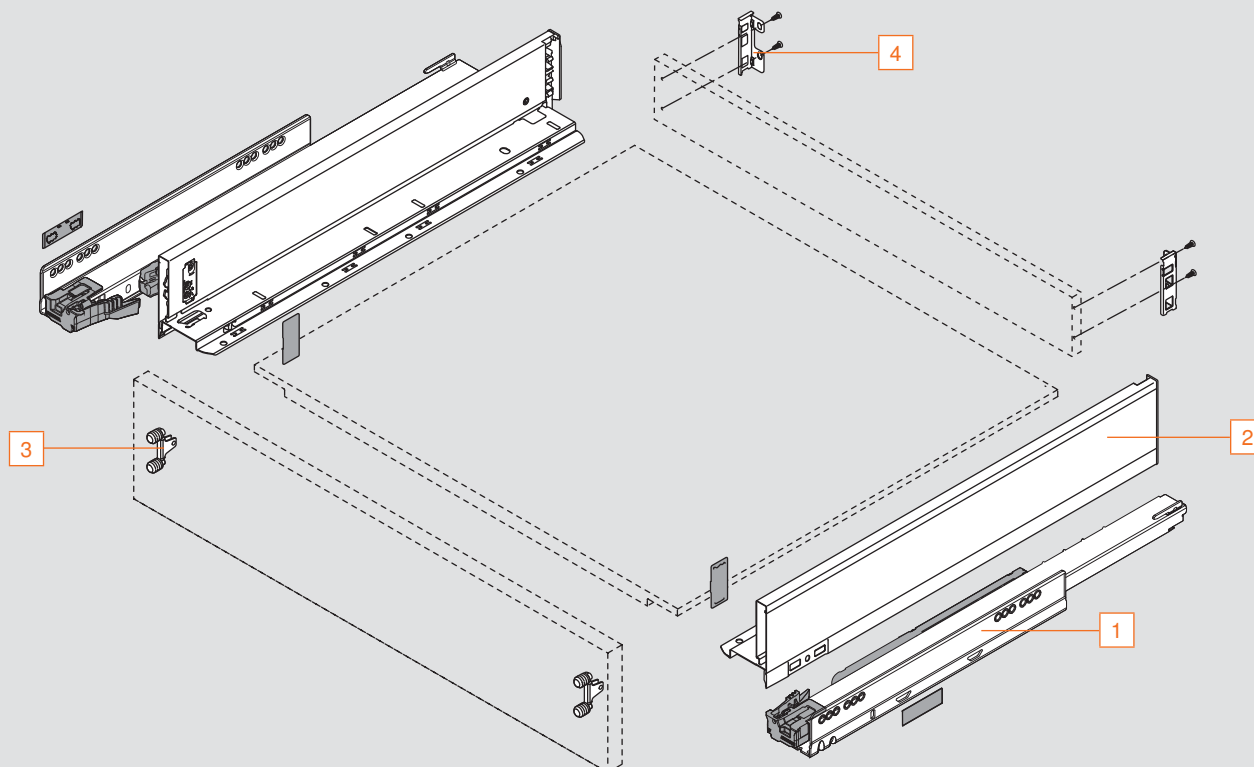
Space Requirements



AL = Actual cabinet profile length

*Minimum opening height based on 3 (1/8") clearance

Components



NOTE: Parts identified on right page

***TIP-ON BLUMOTION:** Enables drawers to be opened with a light touch to the front and retain BLUMOTION soft closing action

page 57

Required Parts

LEGRABOX

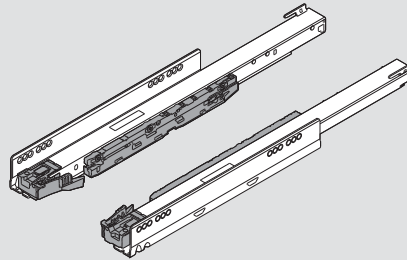


Cabinet and drawer profile sets

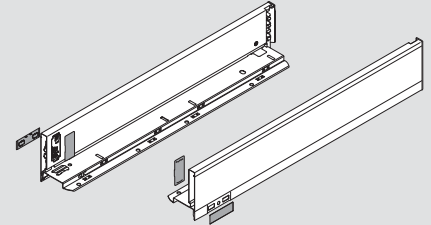
Sets include:

- Left and right profile
- Drawer profiles include color coordinated cover cap
- Specify color when ordering: Orion gray (OG-M), Silk white (SW-M)

1 Cabinet profile



2 Drawer profile



- Stainless steel (INGL)
- Orion gray (OG-M)
- Silk white (SW-M)

Nominal length	Actual cabinet profile length	Weight		Material	
		125 lb	170 lb	Orion gray/Silk white	Stainless steel
11"	270 (10-5/8")	750.2701S		770M2702S	770M2702I
14"	350 (13-3/4")	750.3501S		770M3502S	770M3502I
16"	400 (15-3/4")	750.4001S		770M4002S	770M4002I
18"	450 (17-11/16")	750.4501S	753.4501S	770M4502S	770M4502I
20"	500 (19-11/16")	750.5001S	753.5001S	770M5002S	770M5002I
22"	550 (21-5/8")	750.5501S	753.5501S	770M5502S	770M5502I
24"	600 (23-5/8")		753.6001S	770M6002S	770M6002I
26"	650 (25-9/16")		753.6501S	770M6502S	770M6502I
Installation wood screw		707N	707N	612TH	612TH
Installation system screw		661.1300.HG	661.1300.HG		

Front fixing bracket

3

- Two required per drawer

EXPANDO



Part no.

EXPANDO	ZF7M70E2
Screw-on*	ZF7M7002

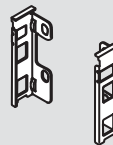
*Use of #6 x 5/8" wood screw is recommended

Rear fixing bracket set

4

Set includes:

- Left and right bracket
- Orion gray (OG-M) or Silk white (SW-M)
- Specify color when ordering



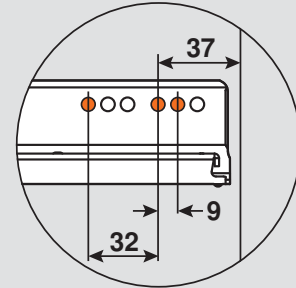
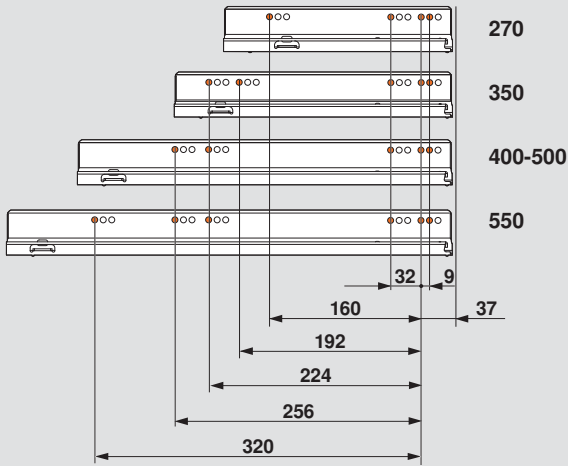
- Orion gray (OG-M)
- Silk white (SW-M)

Part no.

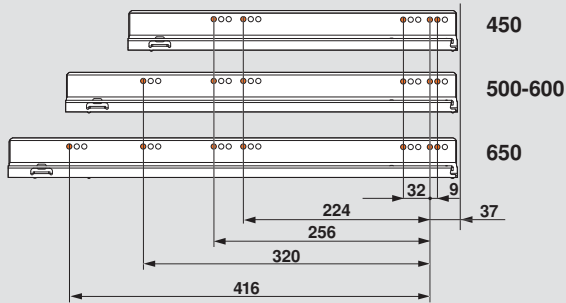
Rear fixing bracket set	ZB7M000S
Installation screw	612TH

Cabinet profile installation

750
125 lb



753
170 lb



NOTE: The orange dots indicate fixing screw locations required to meet specified load ratings

Cutting dimensions for bottom and back

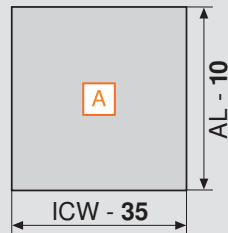
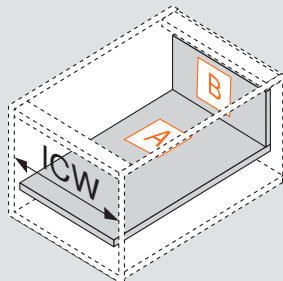
A Drawer bottom

Width = Inside cabinet width minus 35 (1-3/8")
Length = Actual cabinet profile length minus 10 (13/32")



B Drawer back

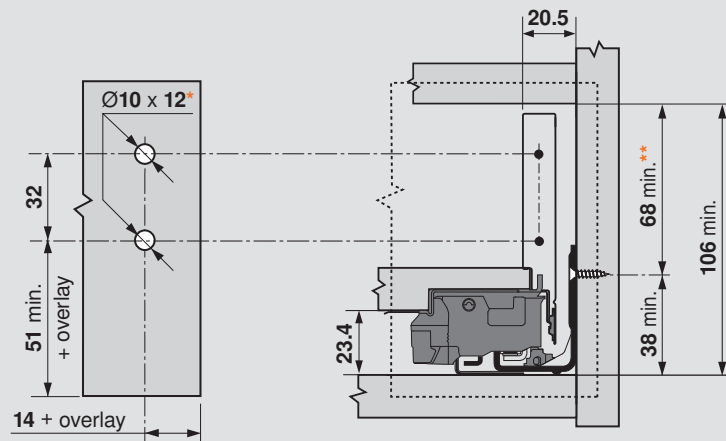
Width = Inside cabinet width minus 38 (1-1/2")
Height = 63 (1-17/32")



AL = Actual cabinet profile length
ICW = Inside cabinet width

NOTE: Use 16 (5/8") material for bottom and back

Front fixing bracket installation

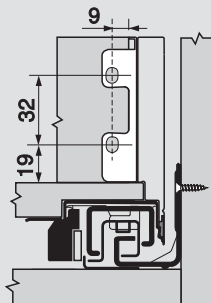


NOTE: For full drawer assembly see page 9

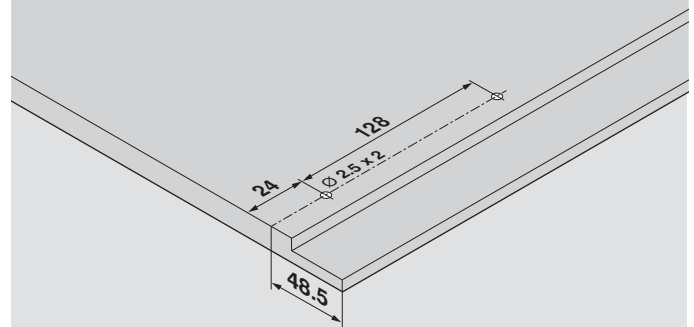
*Pre-boring dimensions for EXPANDO only, for screw-on pre-bore $\text{Ø}2 \times 2.5$

**Includes 2 tilt adjustment

Rear fixing bracket installation



Bottom boring distance



Pre-bore dimension $\text{Ø} 2.5 \times 2$

K Height Drawer

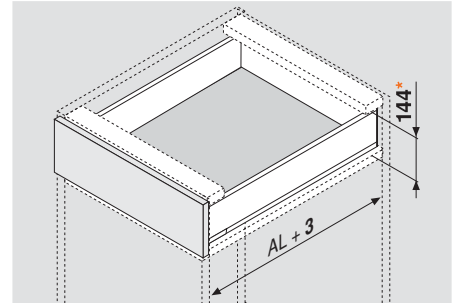
Application



Features

- Full extension drawer system with BLUMOTION
- Smooth running action
- Three-dimensional drawer front adjustment
- Static load capacity of 125 lb and 170 lb
- Drawer profile height 128.5 (5-1/16")
- Compatible with TIP-ON BLUMOTION* and SERVO-DRIVE
- **Silk white coming soon**

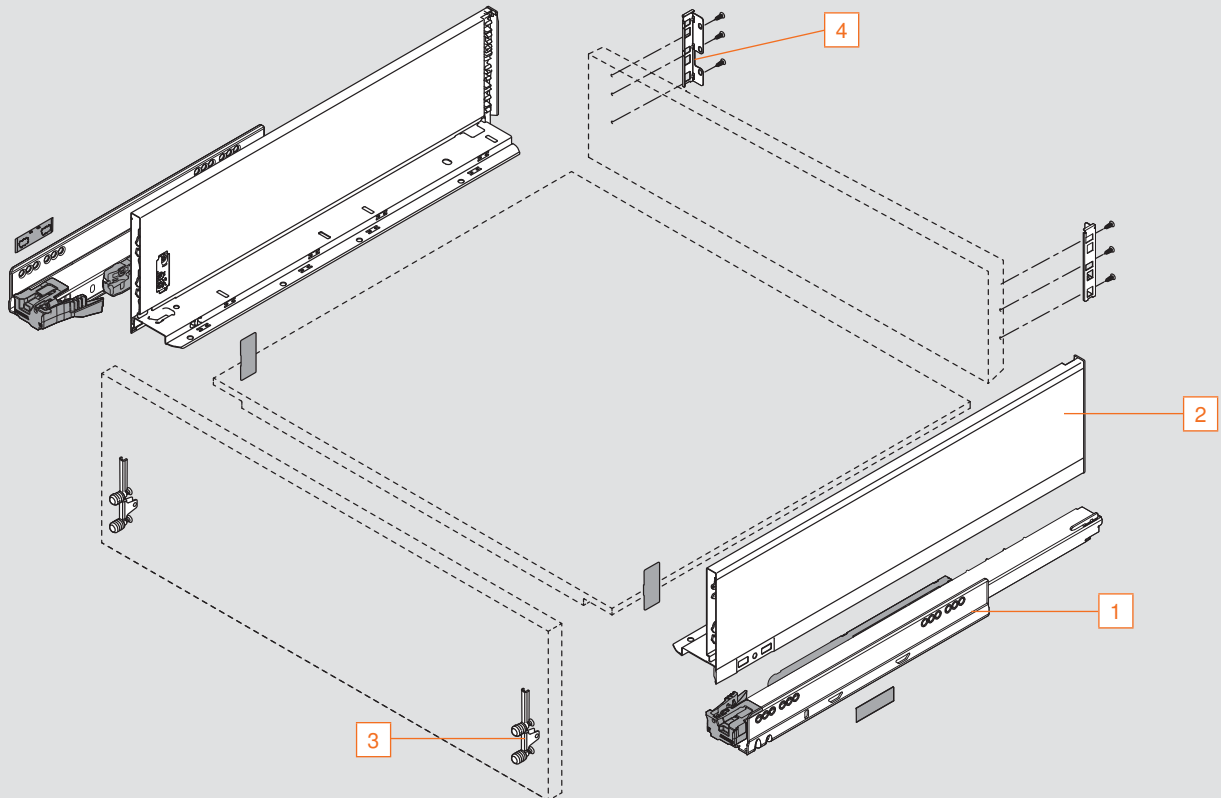
Space Requirements



AL = Actual cabinet profile length

*Minimum opening height based on 3 (1/8") clearance

Components



NOTE: Parts identified on right page

***TIP-ON BLUMOTION:** Enables drawers to be opened with a light touch to the front and retain BLUMOTION soft closing action

page 57

Required Parts

LEGRABOX

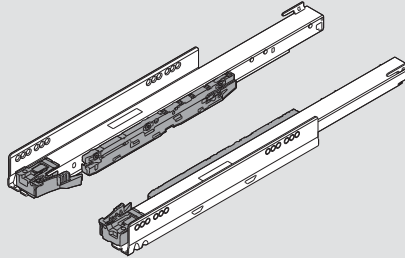


Cabinet and drawer profile sets

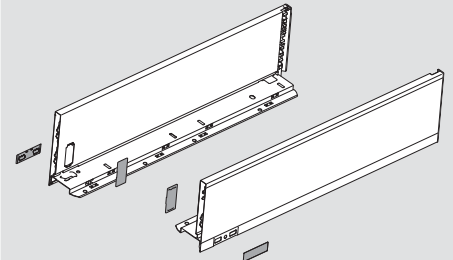
Sets include:

- Left and right profile
- Drawer profiles include color coordinated cover cap
- Specify color when ordering: Orion gray (OG-M), Silk white (SW-M)

1 Cabinet profile



2 Drawer profile



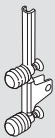
- Stainless steel (INGL)
- Orion gray (OG-M)
- Silk white (SW-M)

Nominal length	Actual cabinet profile length	Weight		Color	
		125 lb	170 lb	Orion gray/Silk white	Stainless steel
14"	350 (13-3/4")	750.3501S		770K3502S	770K3502I
16"	400 (15-3/4")	750.4001S		770K4002S	770K4002I
18"	450 (17-11/16")	750.4501S	753.4501S	770K4502S	770K4502I
20"	500 (19-11/16")	750.5001S	753.5001S	770K5002S	770K5002I
22"	550 (21-5/8")	750.5501S	753.5501S	770K5502S	770K5502I
Installation wood screw		707N	707N	612TH	612TH
Installation system screw		661.1300.HG	661.1300.HG		

Front fixing bracket

- Two required per drawer

EXPANDO

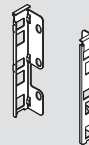


Part no.	
EXPANDO	ZF7K70E2
Screw-on*	ZF7K7002

*Use of #6 x 5/8" wood screw is recommended

Rear fixing bracket set

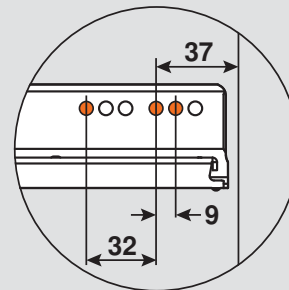
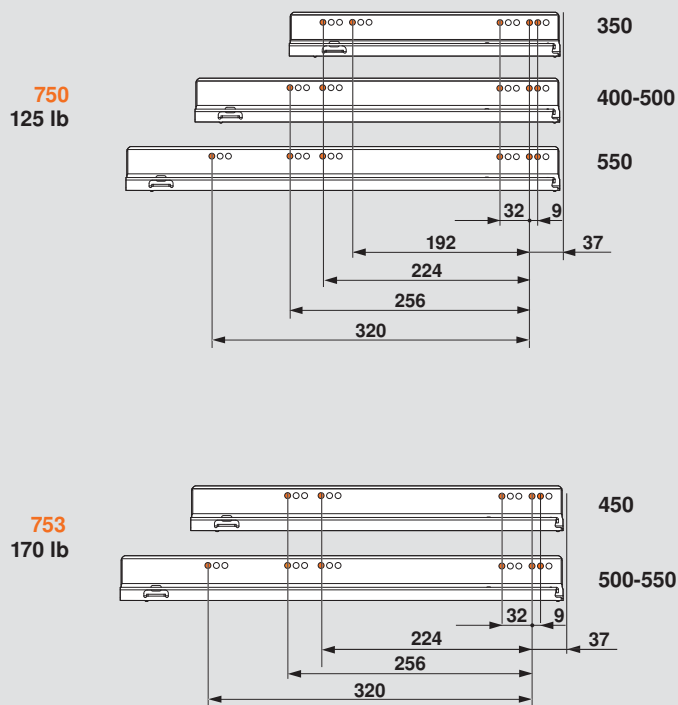
- Set includes:
 - Left and right bracket
 - Orion gray (OG-M) or Silk white (SW-M)
 - Specify color when ordering



- Orion gray (OG-M)
- Silk white (SW-M)

Part no.	
Rear fixing bracket set	ZB7K000S
Installation screw	612TH

Cabinet profile installation



NOTE: The orange dots indicate fixing screw locations required to meet specified load ratings

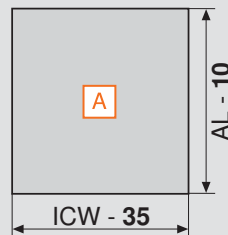
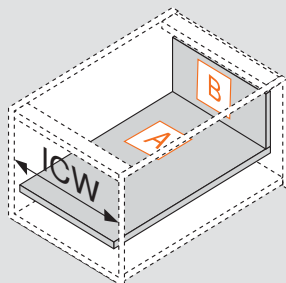
Cutting dimensions for bottom and back

A Drawer bottom

Width = Inside cabinet width minus 35 (1-3/8")
 Length = Actual cabinet profile length minus 10 (13/32")

B Drawer back

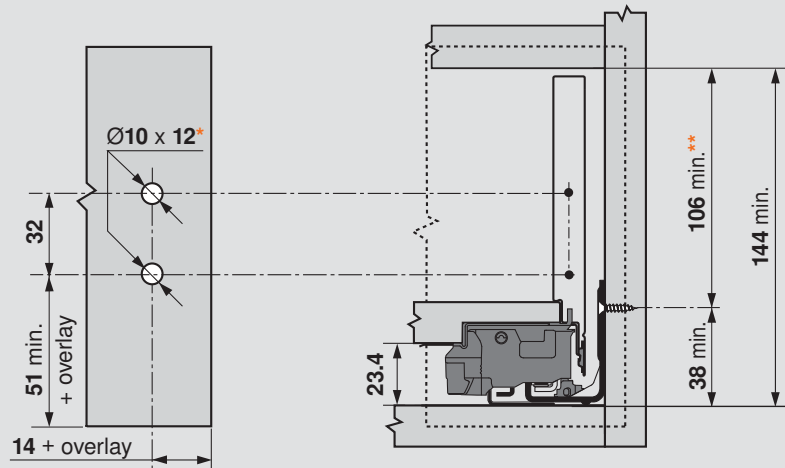
Width = Inside cabinet width minus 38 (1-1/2")
 Height = 101 (3-31/32")



AL = Actual cabinet profile length
 ICW = Inside cabinet width

NOTE: Use 16 (5/8") material for bottom and back

Front fixing bracket installation

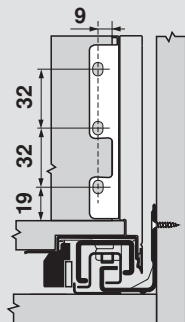


NOTE: For full drawer assembly see page 9

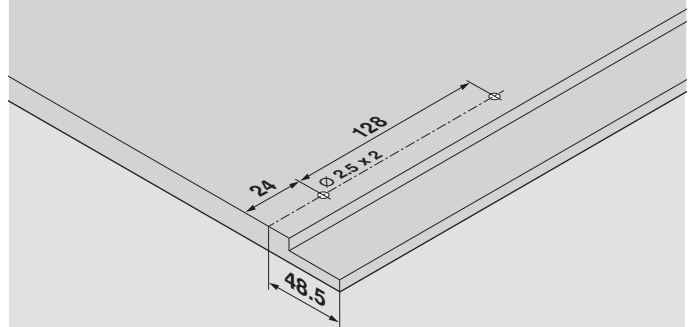
*Pre-boring dimensions for EXPANDO only, for screw-on pre-bore $\text{Ø}2 \times 2.5$

**Includes 2 tilt adjustment

Rear fixing bracket installation



Bottom boring distance



Pre-bore dimension $\text{Ø}2.5 \times 2$

C Height Drawer

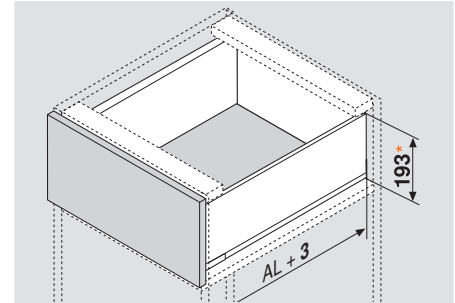
Application



Features

- Full extension drawer system with BLUMOTION
- Smooth running action
- Three-dimensional drawer front adjustment
- Static load capacity of 125 lb and 170 lb
- Drawer profile height 177 (7")
- Compatible with TIP-ON BLUMOTION* and SERVO-DRIVE
- **Silk white coming soon**

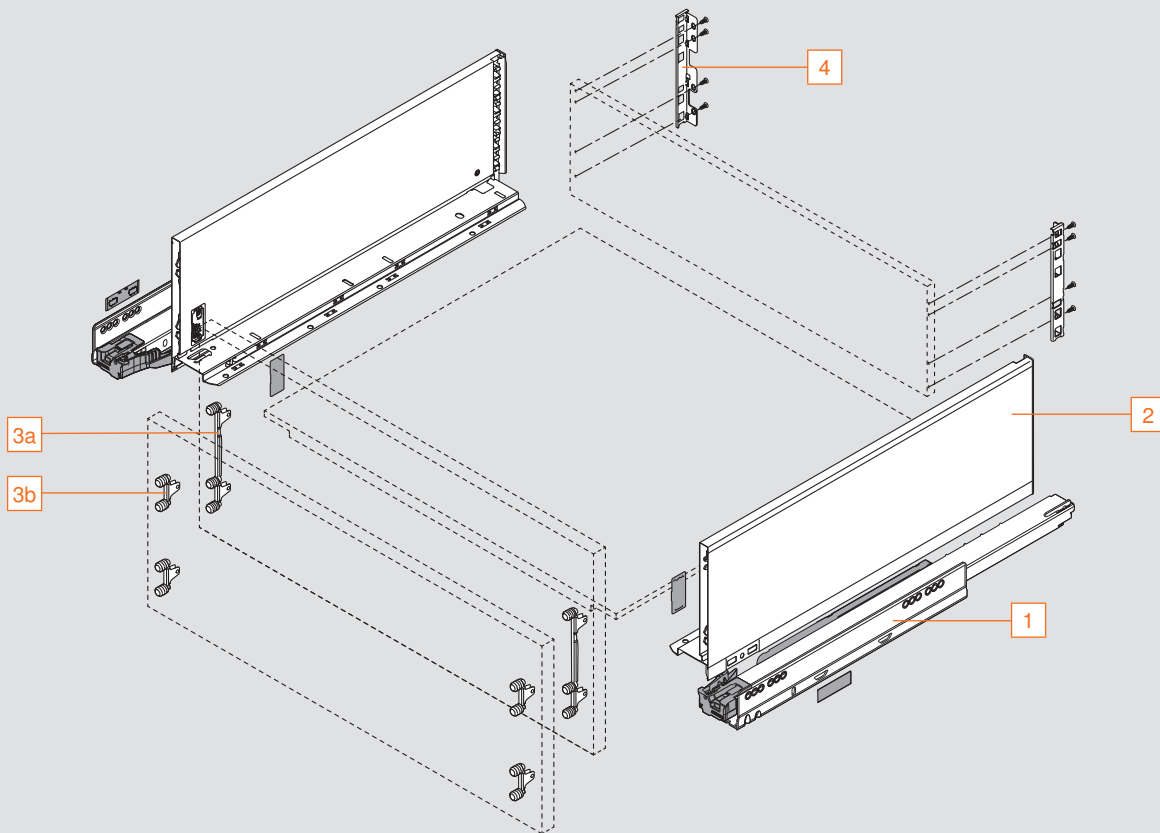
Space Requirements



AL = Actual cabinet profile length

*Minimum opening height based on 3 (1/8") clearance

Components



NOTE: Parts identified on right page

***TIP-ON BLUMOTION:** Enables drawers to be opened with a light touch to the front and retain BLUMOTION soft closing action

page 57

Required Parts

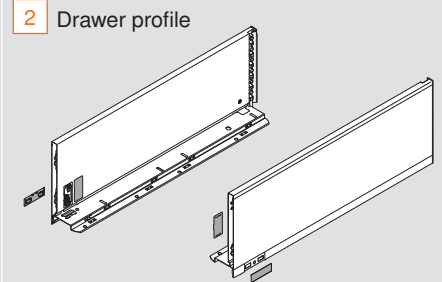
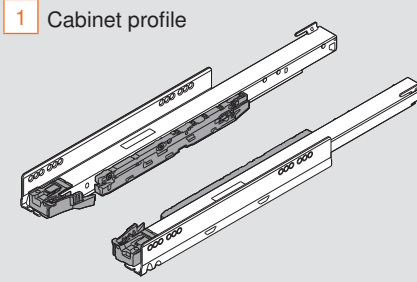
LEGRABOX



Cabinet and drawer profile sets

Sets include:

- Left and right profile
- Drawer profiles include color coordinated cover cap
- Specify color when ordering: Orion gray (OG-M), Silk white (SW-M)



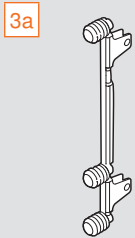
- Stainless steel (INGL)
- Orion gray (OG-M)
- Silk white (SW-M)

Nominal length	Actual cabinet profile length	Cabinet profile		Drawer profile	
		125 lb	170 lb	Orion gray/Silk white	Stainless steel
11"	270 (10-5/8")	750.2701S		770C2702S	770C2702I
14"	350 (13-3/4")	750.3501S		770C3502S	770C3502I
16"	400 (15-3/4")	750.4001S		770C4002S	770C4002I
18"	450 (17-11/16")	750.4501S	753.4501S	770C4502S	770C4502I
20"	500 (19-11/16")	750.5001S	753.5001S	770C5002S	770C5002I
22"	550 (21-5/8")	750.5501S	753.5501S	770C5502S	770C5502I
24"	600 (23-5/8")		753.6001S	770C6002S	770C6002I
26"	650 (25-9/16")		753.6501S	770C6502S	770C6502I
Installation wood screw		707N	707N	612TH	612TH
Installation system screw		661.1300.HG	661.1300.HG		

Front fixing bracket options

EXPANDO

- Two C brackets required per drawer



Part no.

EXPANDO	ZF7C70E2
Screw-on*	ZF7C7002

OR

- Four M brackets required per drawer



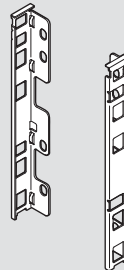
Part no.

EXPANDO	ZF7M70E2
Screw-on*	ZF7M7002

*Use of #6 x 5/8" wood screw recommended

Rear fixing bracket set

4



Set includes:

- Left and right bracket
- Orion gray (OG-M) or Silk white (SW-M)
- Specify color when ordering

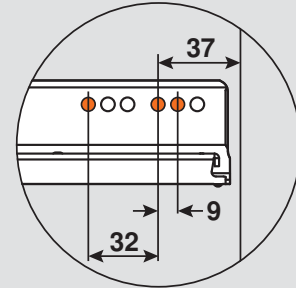
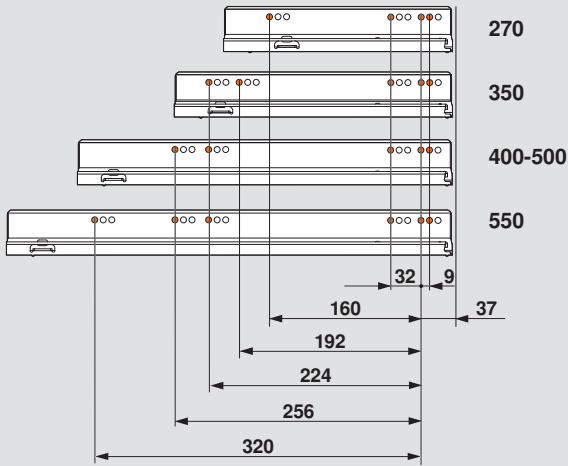
- Orion gray (OG-M)
- Silk white (SW-M)

Part no.

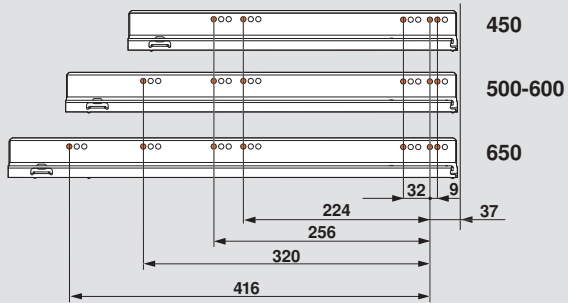
Rear fixing bracket set	ZB7C000S
Installation screw	612TH

Cabinet profile installation

750
125 lb



753
170 lb

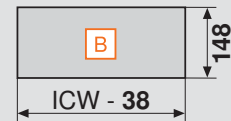


NOTE: The orange dots indicate fixing screw locations required to meet specified load ratings

Cutting dimensions for bottom and back

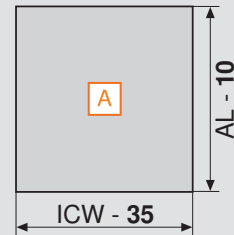
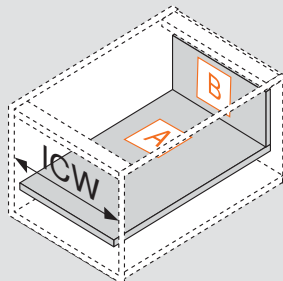
A Drawer bottom

Width = Inside cabinet width minus 35 (1-3/8")
Length = Actual cabinet profile length minus 10 (13/32")

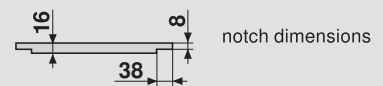


B Drawer back

Width = Inside cabinet width minus 38 (1-1/2")
Height = 148 (5-13/16")

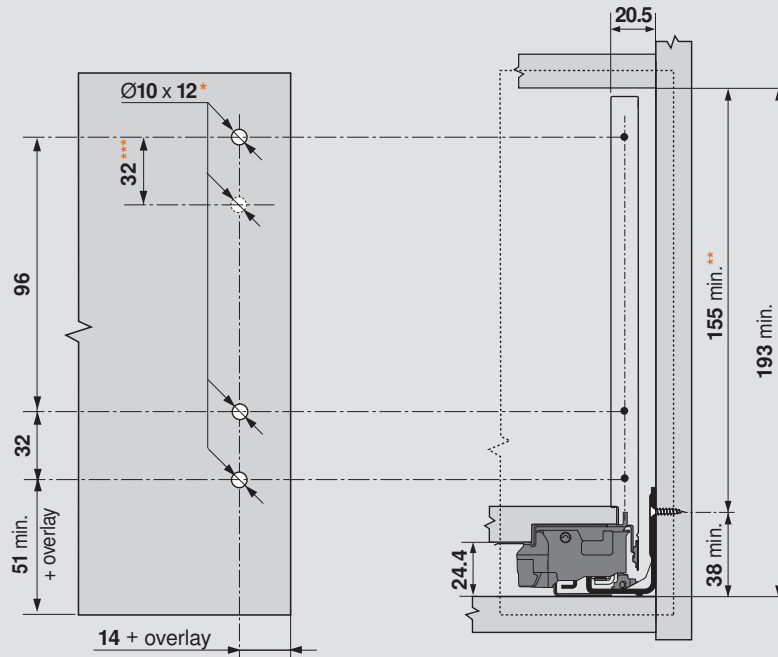


AL = Actual cabinet profile length
ICW = Inside cabinet width



NOTE: Use 16 (5/8") material for bottom and back

Front fixing bracket installation



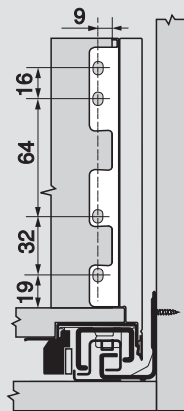
NOTE: For full drawer assembly see page 9

*Pre-boring dimensions for EXPANDO only, for screw-on pre-bore Ø2 x 2.5

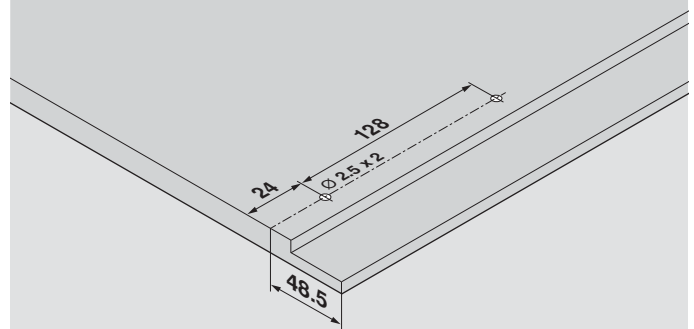
**Includes 2 tilt adjustment

***For use with two M brackets

Rear fixing bracket installation



Bottom boring distance



Pre-bore dimension Ø2.5 x 2

F Height Drawer

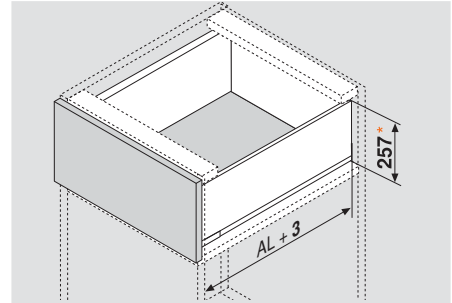
Application



Features

- Full extension drawer system with BLUMOTION
- Smooth running action
- Three-dimensional drawer front adjustment
- Static load capacity of 125 lb and 170 lb
- Drawer profile height 241 (9-1/2")
- Compatible with TIP-ON BLUMOTION* and SERVO-DRIVE
- **Silk white coming soon**

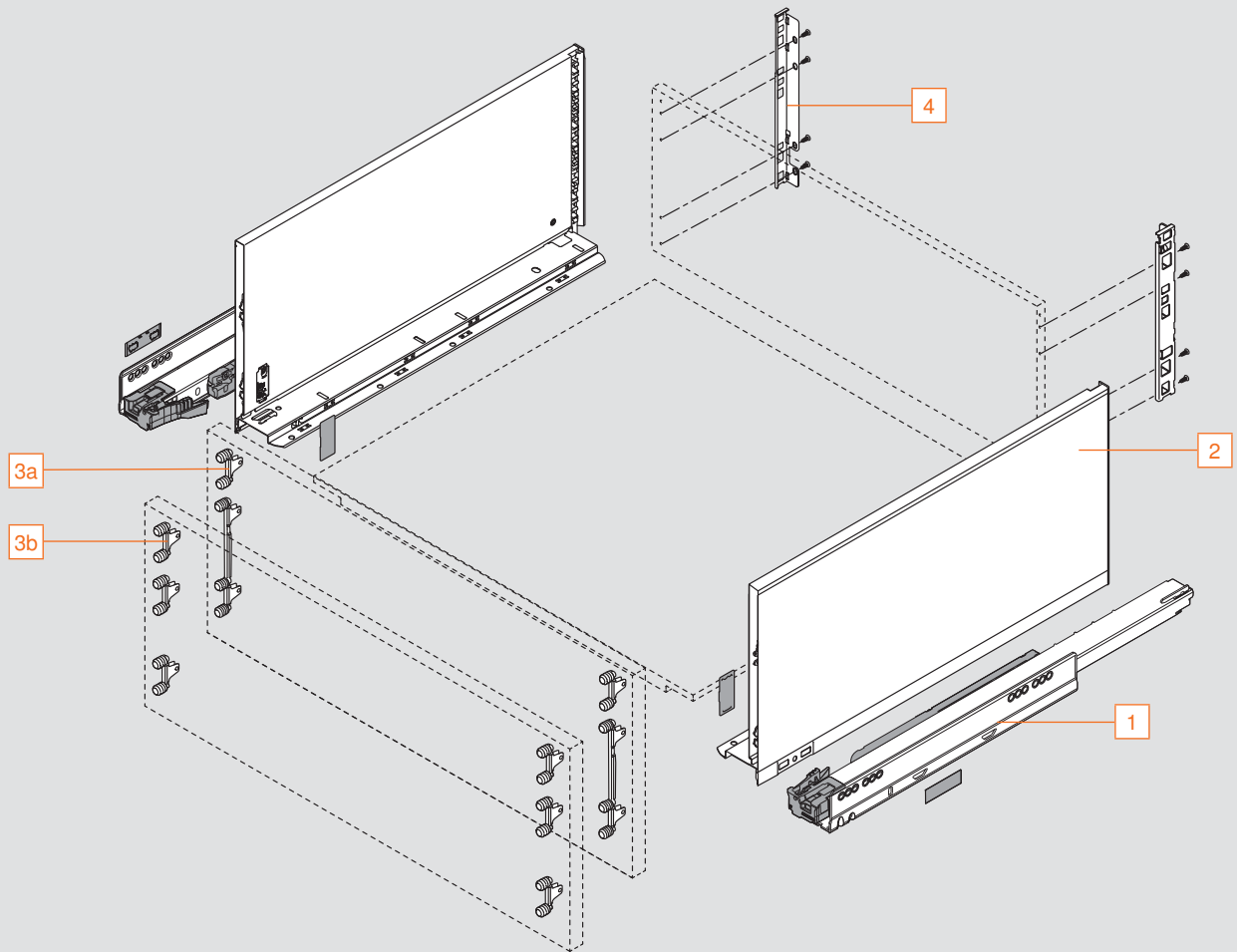
Space Requirements



AL = Actual cabinet profile length

*Minimum opening height based on 3 (1/8") clearance

Components

**NOTE:** Parts identified on right page***TIP-ON BLUMOTION:** Enables drawers to be opened with a light touch to the front and retain BLUMOTION soft closing action

page 57

Required Parts

LEGRABOX

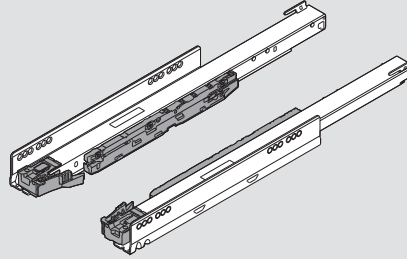


Cabinet and drawer profile sets

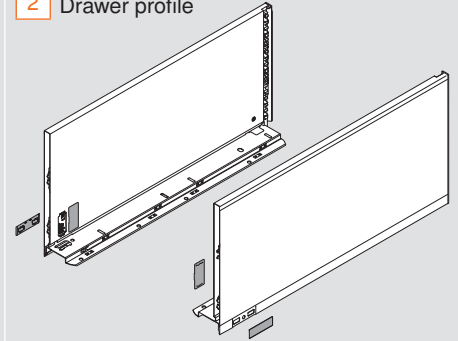
Sets include:

- Left and right profile
- Drawer profiles include color coordinated cover cap
- Specify color when ordering: Orion gray (OG-M), Silk white (SW-M)

1 Cabinet profile



2 Drawer profile



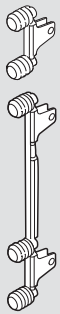
- Stainless steel (INGL)
- Orion gray (OG-M)
- Silk white (SW-M)

Nominal length	Actual cabinet profile length	Weight		Color	
		125 lb	170 lb	Orion gray/Silk white	Stainless steel
16"	400 (15-3/4")	750.4001S		770F4002S	770F4002I
18"	450 (17-11/16")	750.4501S	753.4501S	770F4502S	770F4502I
20"	500 (19-11/16")	750.5001S	753.5001S	770F5002S	770F5002I
22"	550 (21-5/8")	750.5501S	753.5501S	770F5502S	770F5502I
26"	650 (25-9/16")		753.6501S	770F6502S	770F6502I
Installation wood screw		707N	707N	612TH	612TH
Installation system screw		661.1300.HG	661.1300.HG		

Front fixing bracket options

EXPANDO

3a



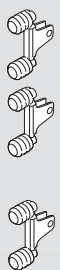
- Two M brackets required per drawer
- Two C brackets required per drawer

Part no.

EXPANDO	ZF7M70E2
Screw-on*	ZF7M7002
EXPANDO	ZF7C70E2
Screw-on*	ZF7C7002

OR

3b



- Six M brackets required per drawer

Part no.

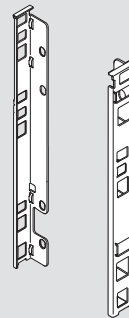
EXPANDO	ZF7M70E2
Screw-on*	ZF7M7002

*Use of #6 x 5/8" wood screw recommended

NOTE: Top bracket ZFM70E2 provides lateral stability

Rear fixing bracket set

4



Set includes:

- Left and right bracket
- Orion gray (OG-M) or Silk white (SW-M)
- Specify color when ordering

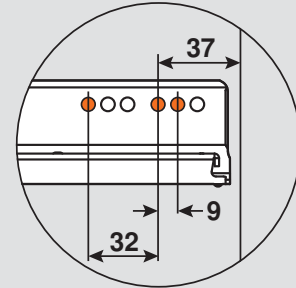
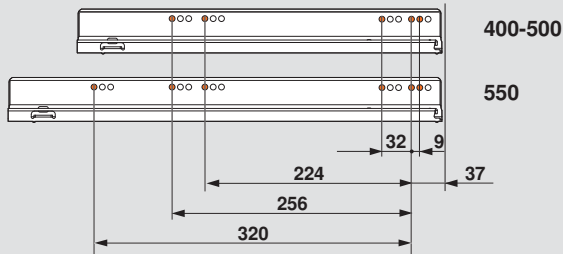
- Orion gray (OG-M)
- Silk white (SW-M)

Part no.

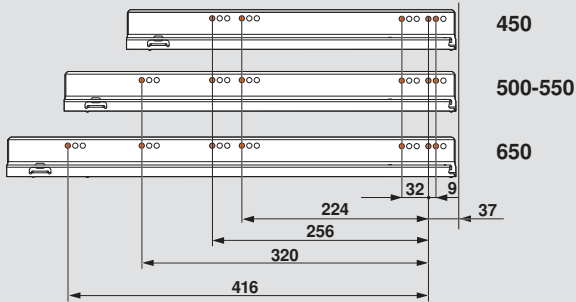
Rear fixing bracket set	ZB7F000S
Installation screw	612TH

Cabinet profile installation

750
125 lb



753
170 lb



NOTE: The orange dots indicate fixing screw locations required to meet specified load ratings

Cutting dimensions for bottom and back

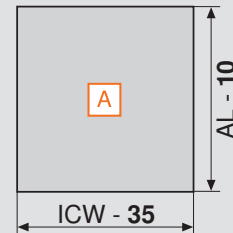
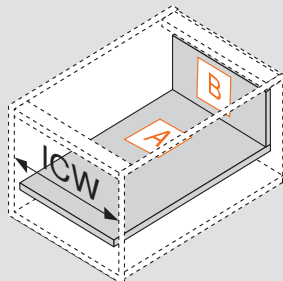
A Drawer bottom

Width = Inside cabinet width minus 35 (1-3/8")
Length = Actual cabinet profile length minus 10 (13/32")



B Drawer back

Width = Inside cabinet width minus 38 (1-1/2")
Height = 212 (8-11/32")

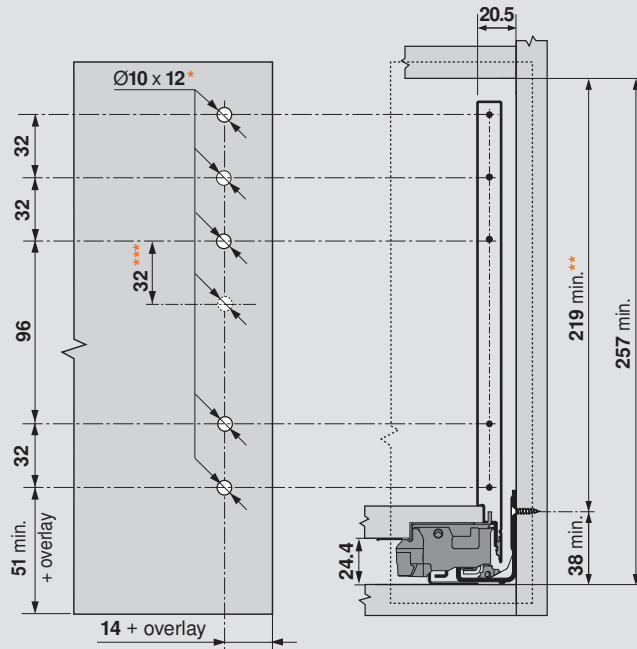


AL = Actual cabinet profile length
ICW = Inside cabinet width



NOTE: Use 16 (5/8") material for bottom and back

Front fixing bracket installation



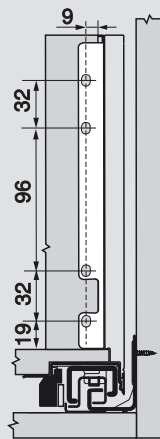
NOTE: For full drawer assembly see page 9

*Pre-boring dimensions for EXPANDO only, for screw-on pre-bore Ø2 x 2.5

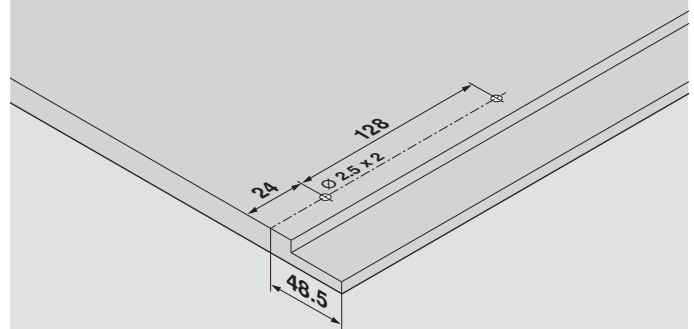
**Includes 2 tilt adjustment

***For use with three M brackets

Rear fixing bracket installation



Bottom boring distance



Pre-bore dimension Ø2.5 x 2

M Height Interior Roll-out

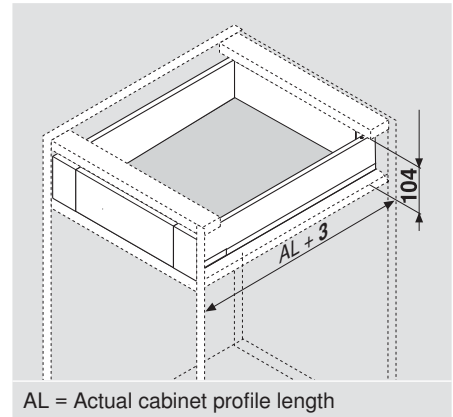
Application



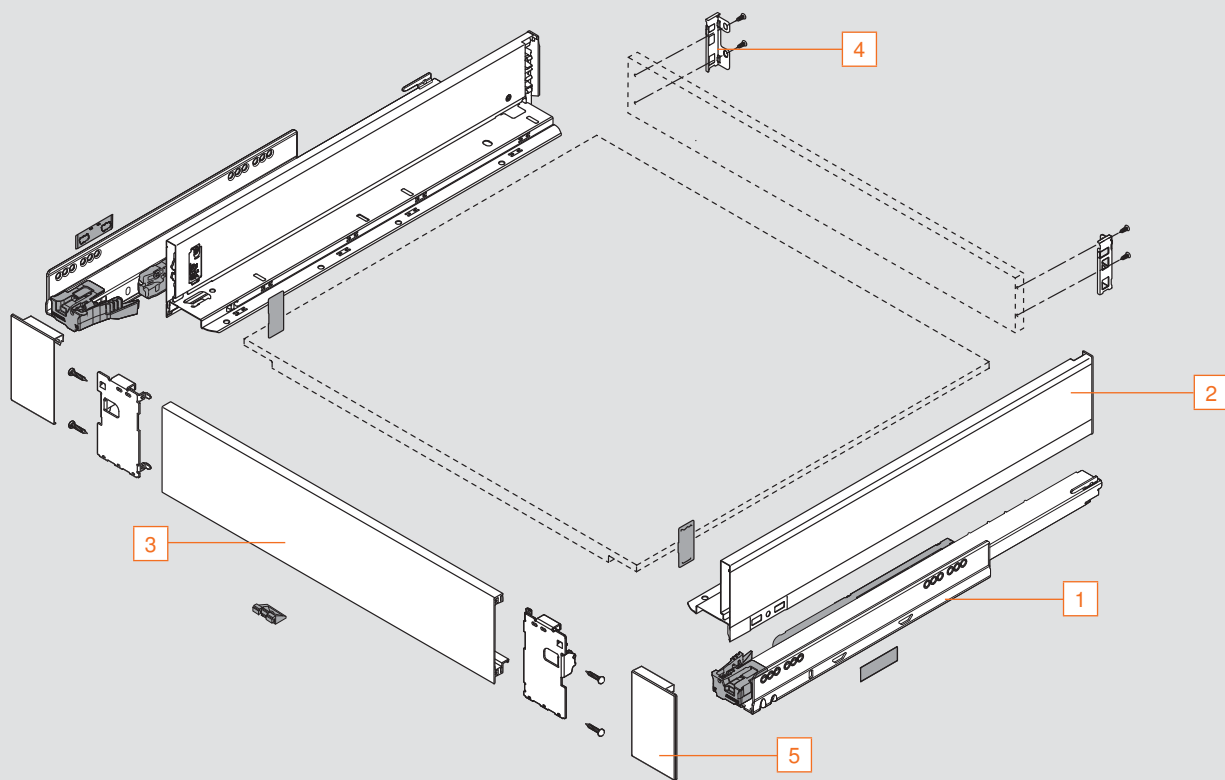
Features

- Full extension drawer system with BLUMOTION
- Smooth running action
- Three-dimensional drawer front adjustment
- Static load capacity of 125 lb and 170 lb
- Drawer profile height 90.5 (3-9/16")
- Compatible with TIP-ON BLUMOTION* and SERVO-DRIVE
- **Silk white coming soon**

Space Requirements



Components



NOTE: Parts identified on right page

***TIP-ON BLUMOTION:** Enables drawers to be opened with a light touch to the front and retain BLUMOTION soft closing action

Required Parts

LEGRABOX

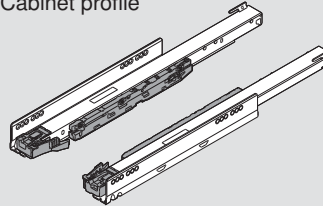


Cabinet and drawer profile sets

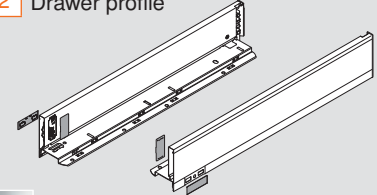
Sets include:

- Left and right profile
- Drawer profiles include color coordinated cover cap
- Specify color when ordering: Orion gray (OG-M), Silk white (SW-M)

1 Cabinet profile



2 Drawer profile

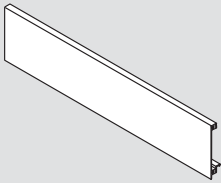


- Stainless steel (INGL)
- Orion gray (OG-M)
- Silk white (SW-M)

Nominal length	Actual cabinet profile length	Weight		Color	
		125 lb	170 lb	Orion gray/ Silk white	Stainless steel
11"	270 (10-5/8")	750.2701S		770M2702S	770M2702I
14"	350 (13-3/4")	750.3501S		770M3502S	770M3502I
16"	400 (15-3/4")	750.4001S		770M4002S	770M4002I
18"	450 (17-11/16")	750.4501S	753.4501S	770M4502S	770M4502I
20"	500 (19-11/16")	750.5001S	753.5001S	770M5002S	770M5002I
22"	550 (21-5/8")	750.5501S	753.5501S	770M5502S	770M5502I
24"	600 (23-5/8")		753.6001S	770M6002S	770M6002I
26"	650 (25-9/16")		753.6501S	770M6502S	770M6502I
Installation wood screw		707N	707N	612TH	612TH
Installation system screw		661.1300.HG	661.1300.HG		

Front piece

3



- Length **1043** (41-1/16")
- Cut to size
- Maximum inside cabinet width = **1168** (46")

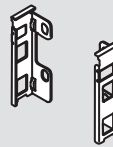
NOTE: Choose Orion gray (OG-M), Silk white (SW-M) or Brushed nickel (ELN2) on order form

Part no.

Front piece **ZV7.1043C01**

Rear fixing bracket set

4



Set includes:

- Left and right bracket
- Orion gray (OG-M) or Silk white (SW-M)
- Specify color when ordering

- Orion gray (OG-M)
- Silk white (SW-M)

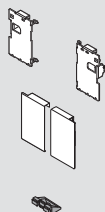
Part no.

Rear fixing bracket set **ZB7M000S**

Installation screw **612TH**

Interior front fixing bracket set

5



Set includes:

- Left and right front fixing bracket
- Left and right outer cover cap
- Locking piece (Z31A0008)
- Screws
- Orion gray (OG-M) or Silk white (SW-M)
- Specify color when ordering

Part no.

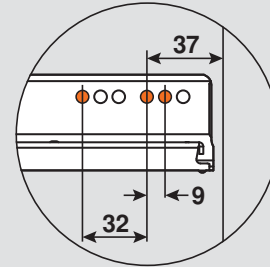
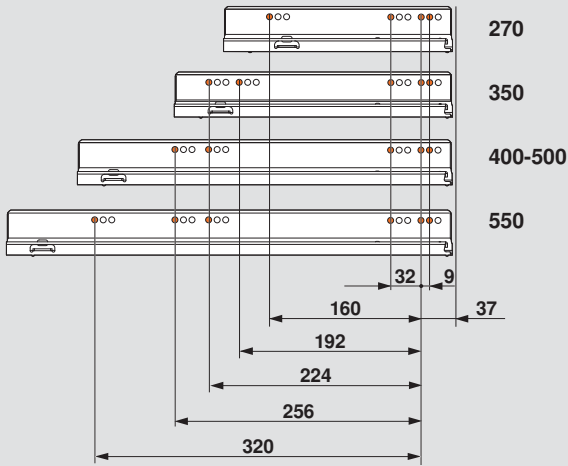
Orion gray/Silk white **ZI7.0MS0**

Stainless steel (INGL) **ZI7.0MI0**

NOTE: M Height interior front assembly instructions on page 50

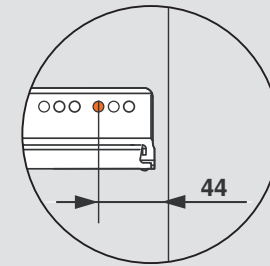
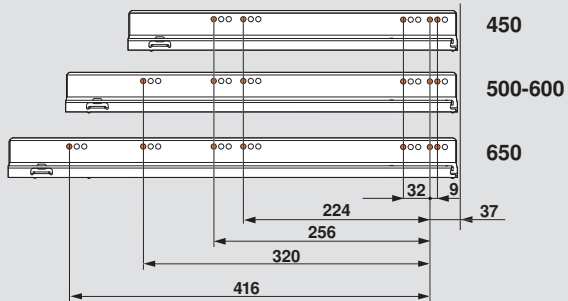
Cabinet profile installation

750
125 lb



Profile mounting position detail

753
170 lb



NOTE: Cabinet profile mounting position for interior roll-out w/ TIP-ON BLUMOTION

NOTE: The orange dots indicate fixing screw locations required to meet specified load ratings

Cutting dimensions for bottom and back

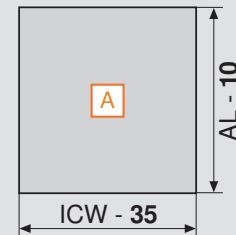
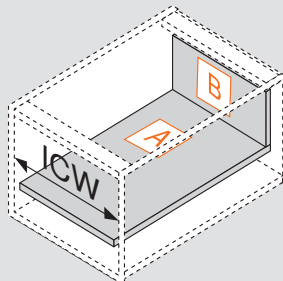
A Drawer bottom

Width = Inside cabinet width minus 35 (1-3/8")
Length = Actual cabinet profile length minus 10 (13/32")



B Drawer back

Width = Inside cabinet width minus 38 (1-1/2")
Height = 63 (2-15/32")

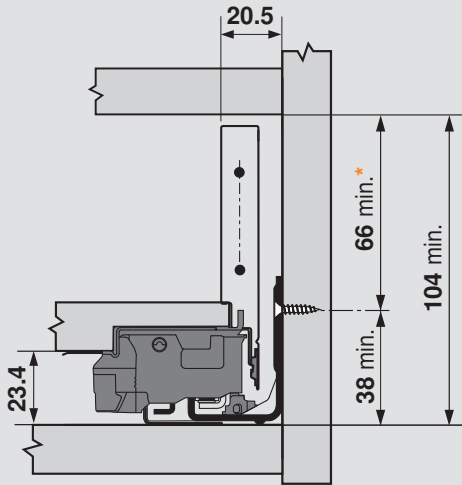


notch dimensions

AL = Actual cabinet profile length
ICW = Inside cabinet width

NOTE: Use 16 (5/8") material for bottom and back

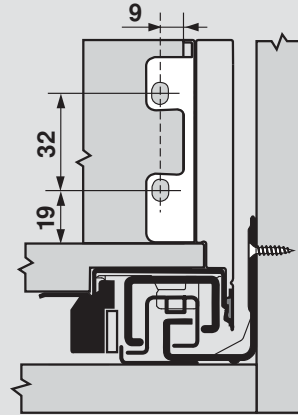
Interior roll-out space requirements



NOTE: For full drawer assembly see page 9 and 50

*Include 2 tilt adjustment

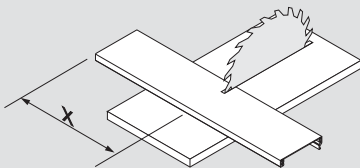
Rear fixing bracket installation



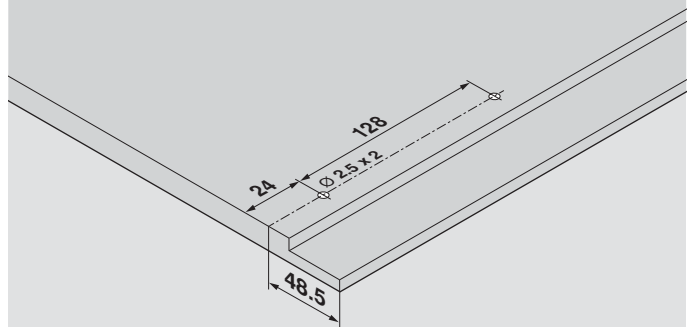
Cutting front piece

Using a metal cutting blade, cut front piece to size.

X = Inside cabinet width minus 126 (5")



Bottom boring distance



Pre-bore dimension Ø2.5 x 2

K Height Interior Roll-out

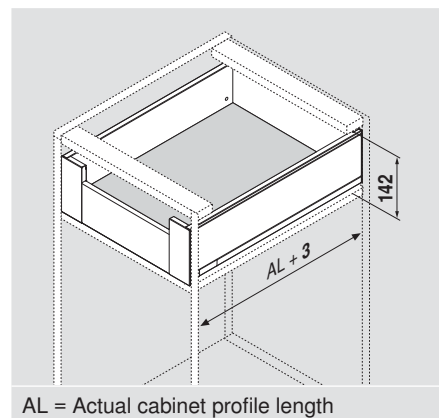
Application



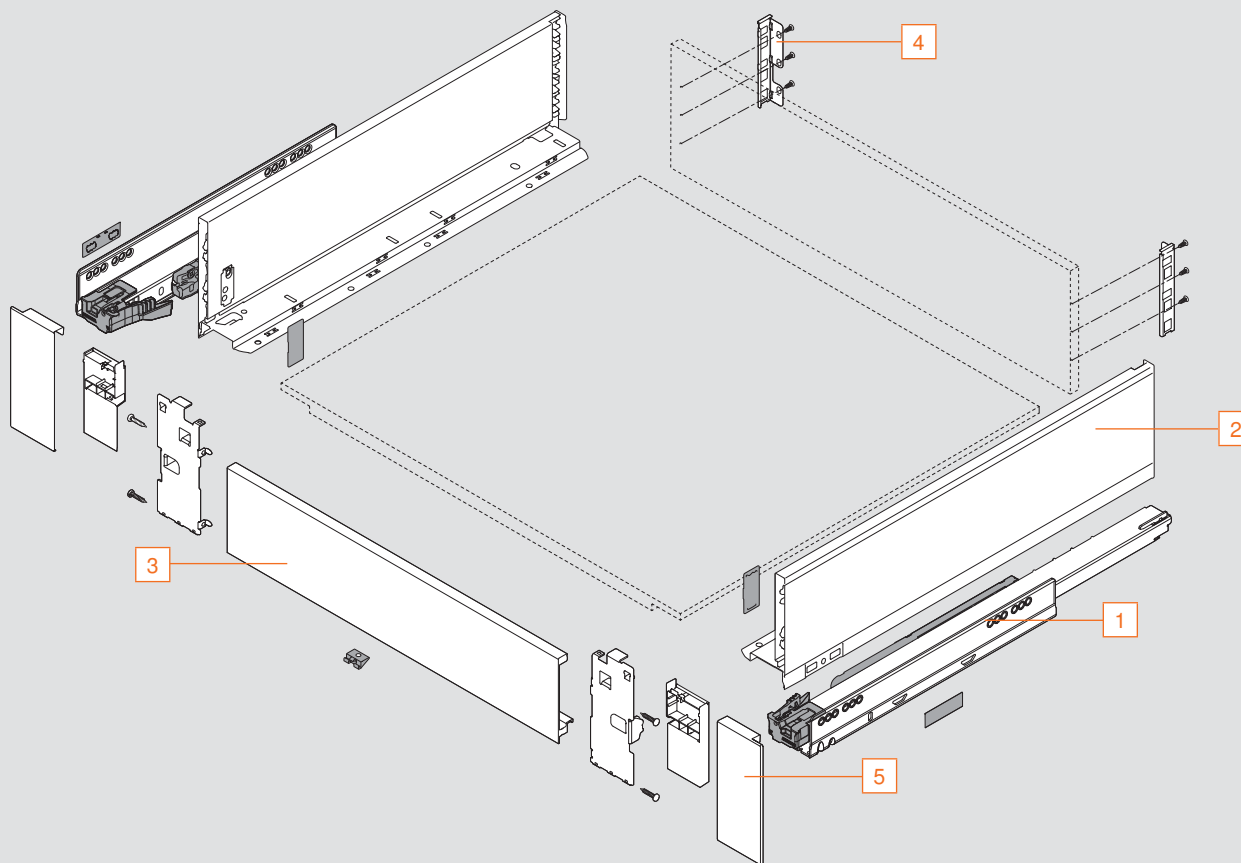
Features

- Full extension drawer system with BLUMOTION
- Smooth running action
- Three-dimensional drawer front adjustment
- Static load capacity of 125 lb and 170 lb
- Drawer profile height **128.5** (5-1/16")
- Compatible with TIP-ON BLUMOTION* and SERVO-DRIVE
- **Silk white coming soon**

Space Requirements



Components



NOTE: Parts identified on right page

***TIP-ON BLUMOTION:** Enables drawers to be opened with a light touch to the front and retain BLUMOTION soft closing action

page 57

Required Parts

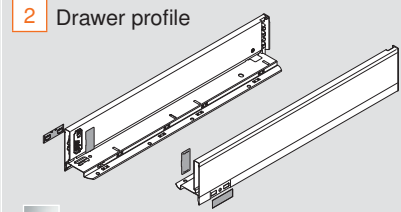
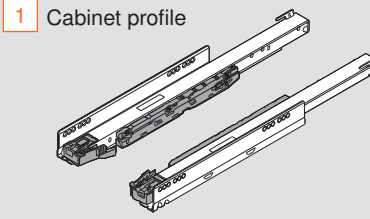
LEGRABOX



Cabinet and drawer profile sets

Sets include:

- Left and right profile
- Drawer profiles include color coordinated cover cap
- Specify color when ordering: Orion gray (OG-M), Silk white (SW-M)



- Stainless steel (INGL)
- Orion gray (OG-M)
- Silk white (SW-M)

Nominal length	Actual cabinet profile length	Weight		Color	
		125 lb	170 lb	Orion gray/Silk white	Stainless steel
14"	350 (13-3/4")	750.3501S		770K3502S	770K3502I
16"	400 (15-3/4")	750.4001S		770K4002S	770K4002I
18"	450 (17-11/16")	750.4501S	753.4501S	770K4502S	770K4502I
20"	500 (19-11/16")	750.5001S	753.5001S	770K5002S	770K5002I
22"	550 (21-5/8")	750.5501S	753.5501S	770K5502S	770K5502I
Installation wood screw		707N	707N	612TH	612TH
Installation system screw		661.1300.HG	661.1300.HG		

Front piece

3

- Length **1043** (41-1/16")
- Cut to size
- Maximum inside cabinet width = **1168** (46")

NOTE: Choose Orion gray (OG-M), Silk white (SW-M) or Brushed nickel (ELN2) on order form

Part no.

Front piece	ZV7.1043C01
-------------	--------------------

Rear fixing bracket set

4

Set includes:

- Left and right bracket
- Orion gray (OG-M) or Silk white (SW-M)

Specify color when ordering

Part no.

Rear fixing bracket set	ZB7K000S
Installation screw	612TH

Interior front fixing bracket set

5

Set includes:

- Left and right front fixing bracket
- Left and right outer cover cap
- Locking piece (Z31A0008)
- Screws
- Orion gray (OG-M) or Silk white (SW-M)

Specify color when ordering

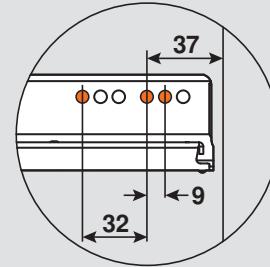
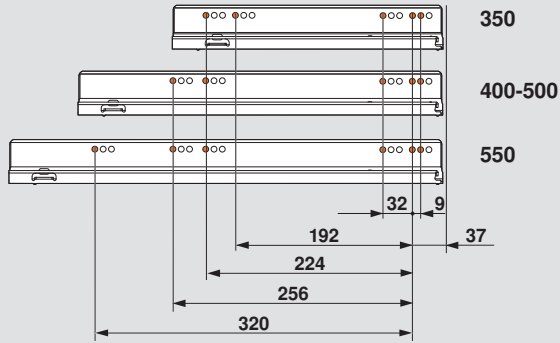
Part no.

Orion gray/Silk white	ZI7.0KS0
Stainless steel (INGL)	ZI7.0KI0

NOTE: K Height interior front assembly instructions on page 50

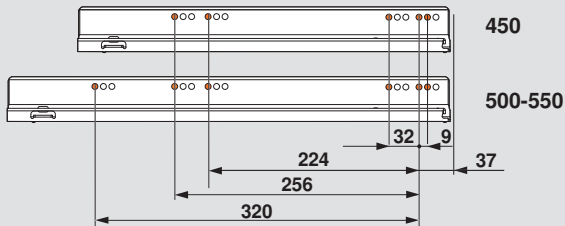
Cabinet profile installation

750
125 lb

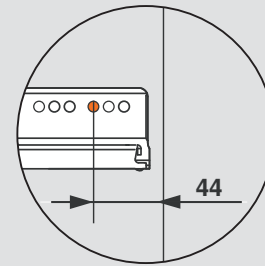


Profile mounting position detail

753
170 lb



NOTE: Cabinet profile mounting position for interior roll-out w/ TIP-ON BLUMOTION



NOTE: The orange dots indicate fixing screw locations required to meet specified load ratings

Cutting dimensions for bottom and back

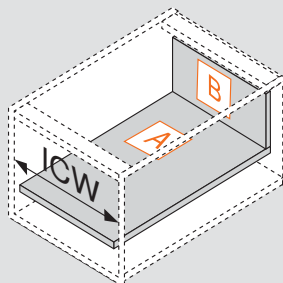
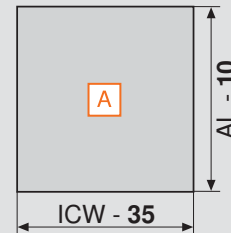
A Drawer bottom

Width = Inside cabinet width minus 35 (1-3/8")
Length = Actual cabinet profile length minus 10 (13/32")



B Drawer back

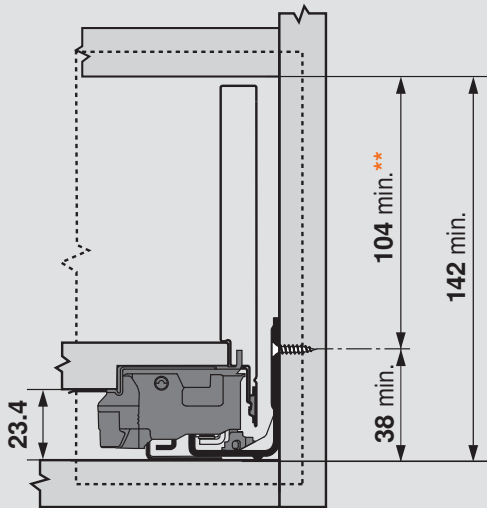
Width = Inside cabinet width minus 38 (1-1/2")
Height = 101 (3-31/32")



AL = Actual cabinet profile length
ICW = Inside cabinet width

NOTE: Use 16 (5/8") material for bottom and back

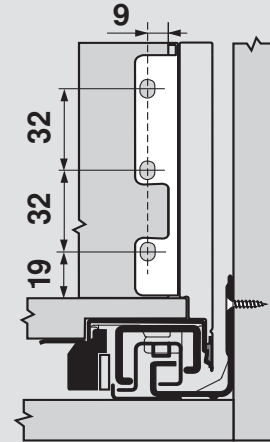
Interior roll-out space requirements



NOTE: For full drawer assembly see page 9 and 50

*Include 2 tilt adjustment

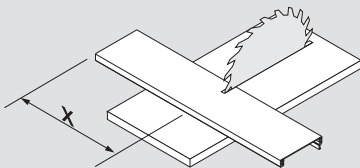
Rear fixing bracket installation



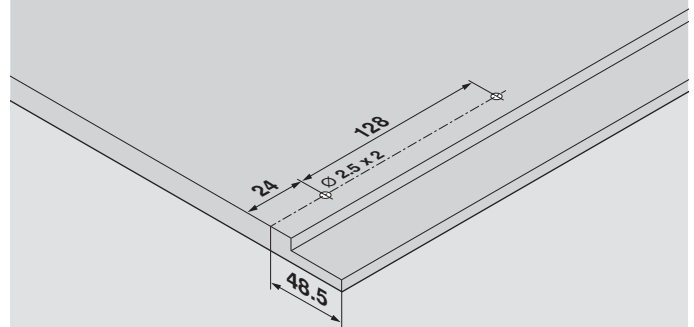
Cutting front piece

Using a metal cutting blade, cut front piece to size.

X = Inside cabinet width minus 126 (5")



Bottom boring distance



Pre-bore dimension Ø2.5 x 2

C Height Interior Roll-out

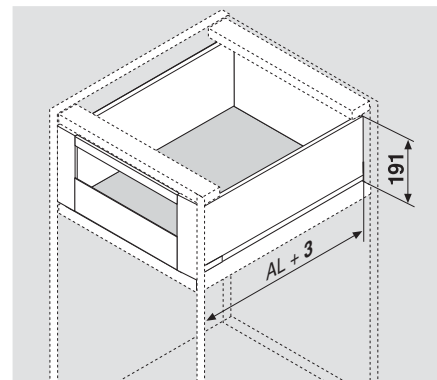
Application



Features

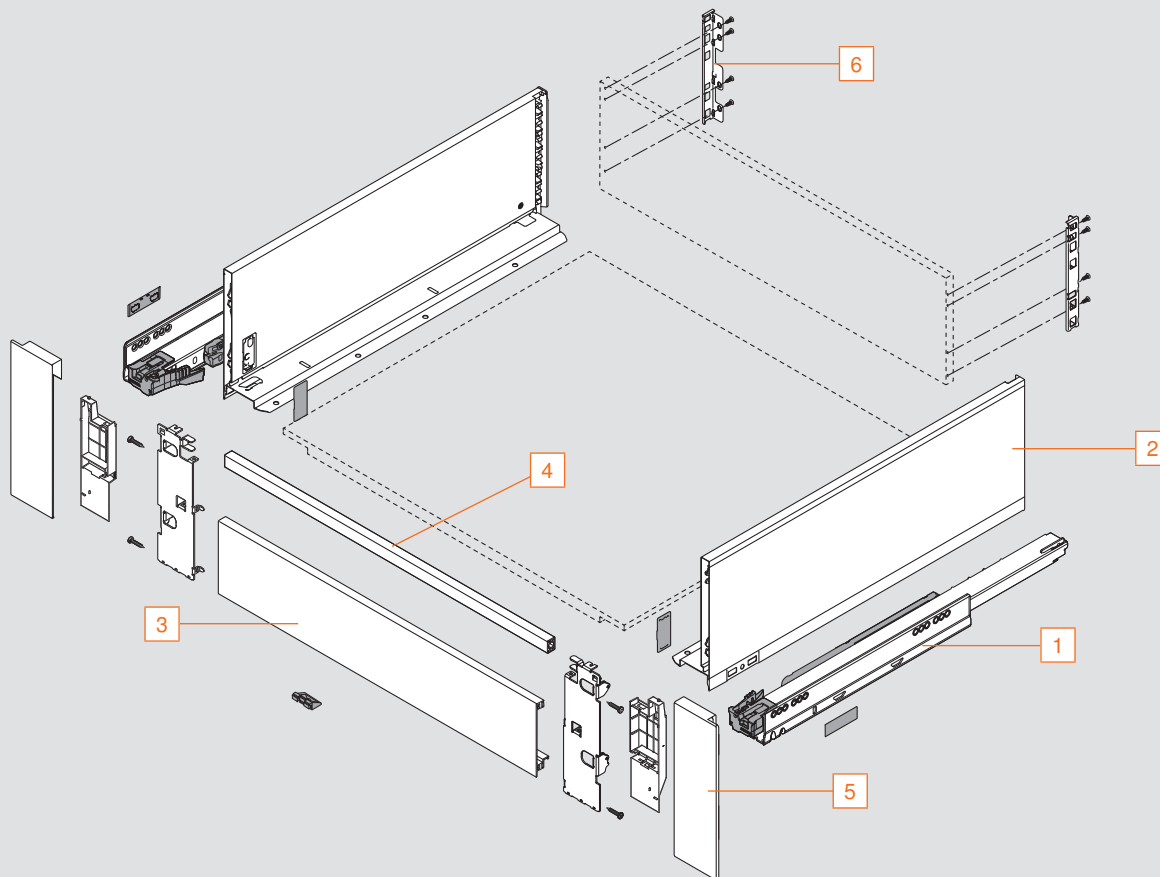
- Full extension drawer system with BLUMOTION
- Smooth running action
- Three-dimensional drawer front adjustment
- Static load capacity of 125 lb and 170 lb
- Drawer profile height 177 (7")
- Compatible with TIP-ON BLUMOTION* and SERVO-DRIVE
- **Silk white coming soon**

Space Requirements



AL = Actual cabinet profile length

Components



NOTE: Parts identified on right page

***TIP-ON BLUMOTION:** Enables drawers to be opened with a light touch to the front and retain BLUMOTION soft closing action

Required Parts

LEGRABOX

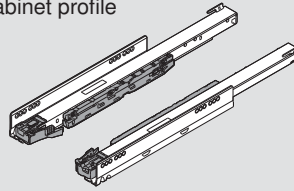


Cabinet and drawer profile sets

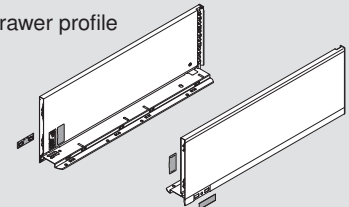
Sets include:

- Left and right profile
- Drawer profiles include color coordinated cover cap
- Specify color when ordering: Orion gray (OG-M), Silk white (SW-M)

1 Cabinet profile



2 Drawer profile

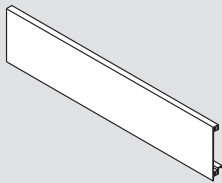


- Stainless steel (INGL)
- Orion gray (OG-M)
- Silk white (SW-M)

Nominal length	Actual cabinet profile length	Weight		Color	
		125 lb	170 lb	Orion gray/Silk white	Stainless steel
11"	270 (10-5/8")	750.2701S		770C2702S	770C2702I
14"	350 (13-3/4")	750.3501S		770C3502S	770C3502I
16"	400 (15-3/4")	750.4001S		770C4002S	770C4002I
18"	450 (17-11/16")	750.4501S	753.4501S	770C4502S	770C4502I
20"	500 (19-11/16")	750.5001S	753.5001S	770C5002S	770C5002I
22"	550 (21-5/8")	750.5501S	753.5501S	770C5502S	770C5502I
24"	600 (23-5/8")		753.6001S	770C6002S	770C6002I
26"	650 (25-9/16")		753.6501S	770C6502S	770C6502I
Installation wood screw		707N	707N	612TH	612TH
Installation system screw		661.1300.HG	661.1300.HG		

Front piece

3



- Length **1043** (41-1/16")
- Cut to size
- Maximum inside cabinet width = **1168** (46")

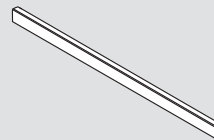
NOTE: Choose Orion gray (OG-M), Silk white (SW-M) or Brushed nickel (ELN2) on order form

Part no.

Front piece **ZV7.1043C01**

Cross gallery rail

4



- Length **1080** (42-1/2")
- Cut to size

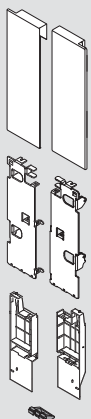
NOTE: Choose Orion gray (OG-M), Silk white (SW-M) or Brushed nickel (ELN2) on order form

Part no.

Cross rail **ZR7.1080U**

Interior front fixing bracket set

5



Set includes:

- Left and right front fixing bracket
 - Left and right outer cover cap
 - Left and right inside cover cap
 - Locking piece (Z31A0008)
 - Screws
 - Orion gray (OG-M) or Silk white (SW-M)
- Specify color when ordering

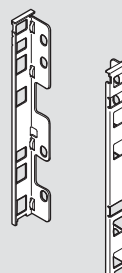
Part no.

Orion gray/Silk white **ZI7.3CS0**

Stainless steel (INGL) **ZI7.3CI0**

Rear fixing bracket set

6



Set includes:

- Left and right bracket
 - Orion gray (OG-M) or Silk white (SW-M)
- Specify color when ordering

- Orion gray (OG-M)
- Silk white (SW-M)

Part no.

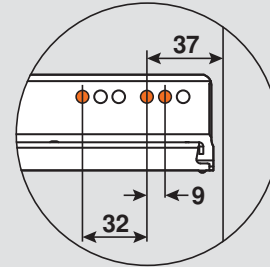
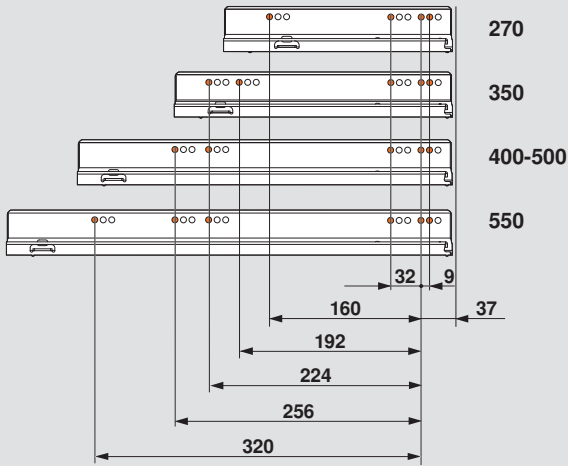
Rear fixing bracket set **ZB7C000S**

Installation screw **612TH**

NOTE: C Height interior front assembly instructions on page 51

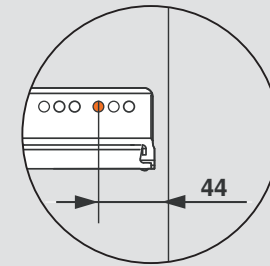
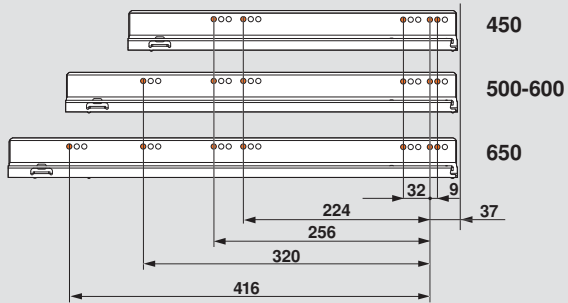
Cabinet profile installation

750
125 lb



Profile mounting position detail

753
170 lb



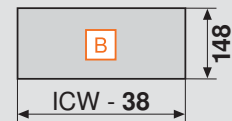
NOTE: Cabinet profile mounting position for interior roll-out w/ TIP-ON BLUMOTION

NOTE: The orange dots indicate fixing screw locations required to meet specified load ratings

Cutting dimensions for bottom and back

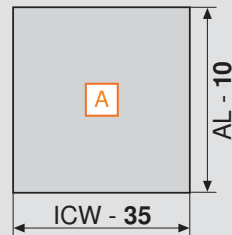
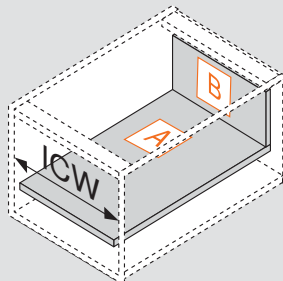
A Drawer bottom

Width = Inside cabinet width minus 35 (1-3/8")
Length = Actual cabinet profile length minus 10 (13/32")



B Drawer back

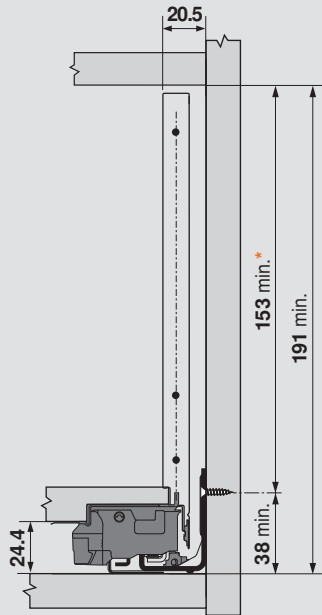
Width = Inside cabinet width minus 38 (1-1/2")
Height = 148 (5-13/16")



AL = Actual cabinet profile length
ICW = Inside cabinet width

NOTE: Use 16 (5/8") material for bottom and back

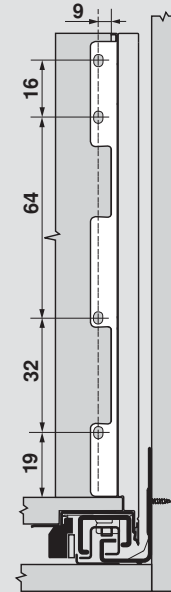
Interior roll-out space requirements



NOTE: For full drawer assembly see page 9 and 51

*Include 2 tilt adjustment

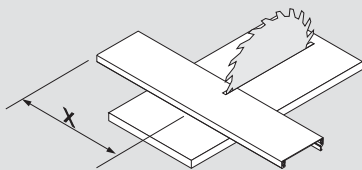
Rear fixing bracket installation



Cutting front piece

Using a metal cutting blade, cut front piece to size.

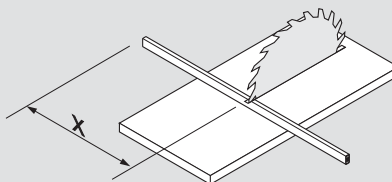
X = Inside cabinet width minus 126
(4-31/32")



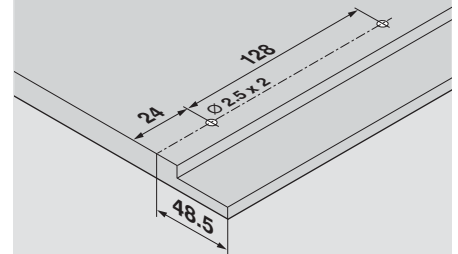
Cutting cross rail

Using a metal cutting blade, cut cross rail to size.

X = Inside cabinet width minus 90
(3-17/32")

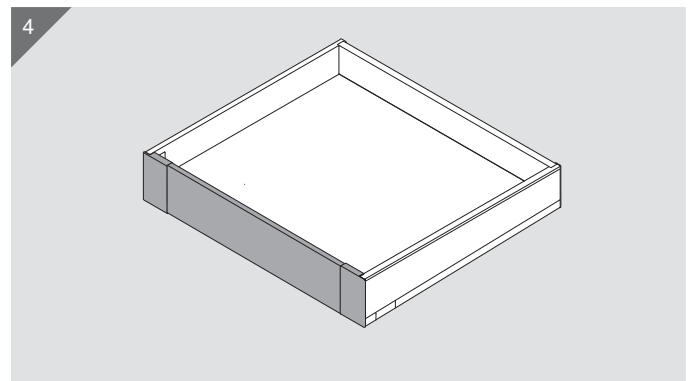
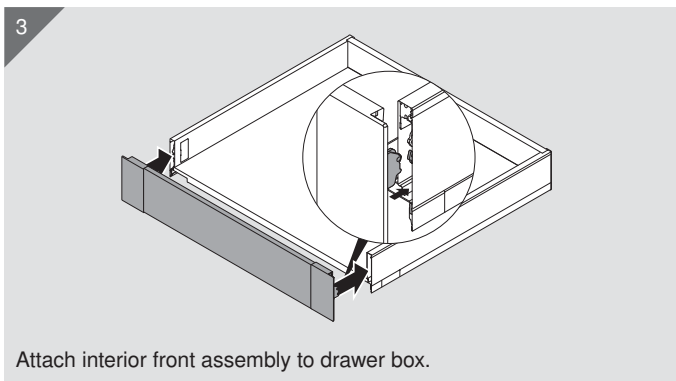
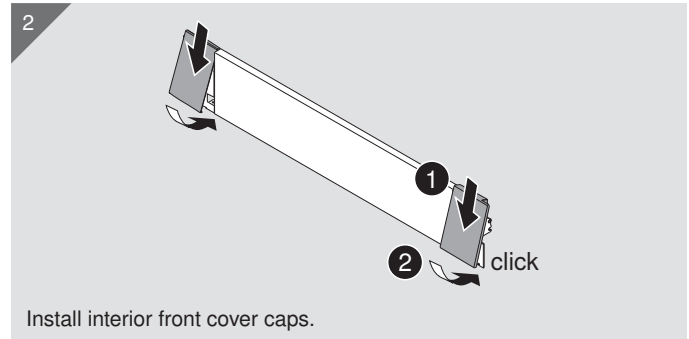
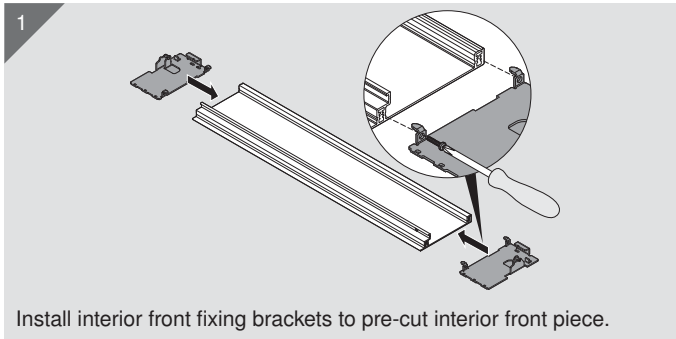


Bottom boring distance

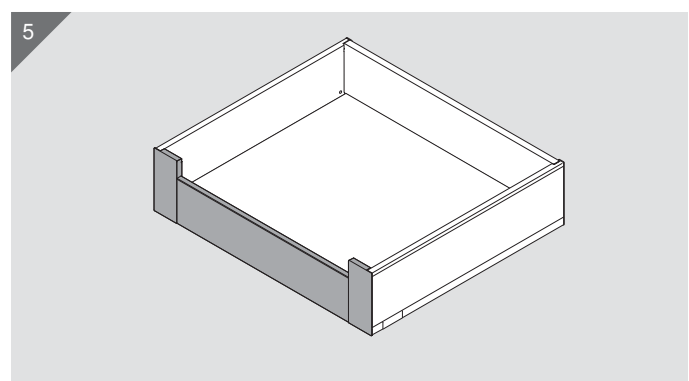
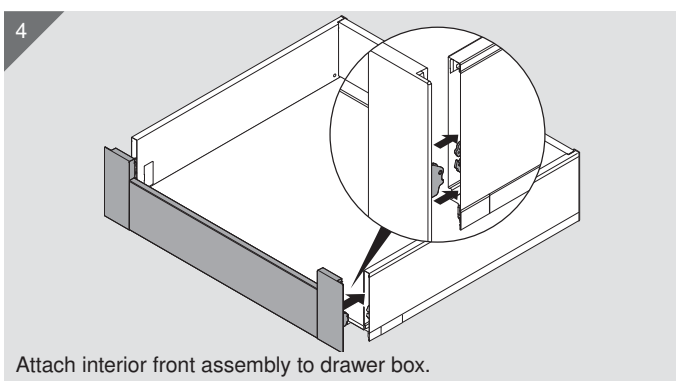
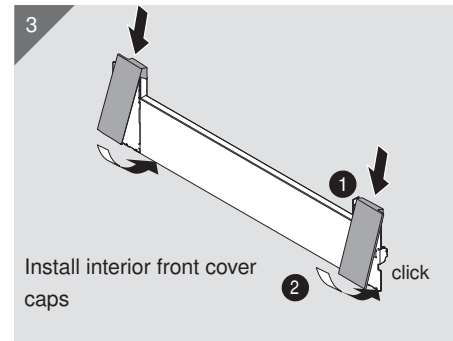
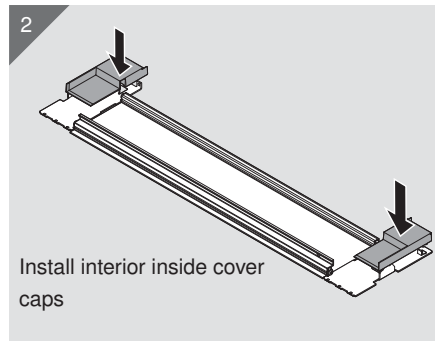
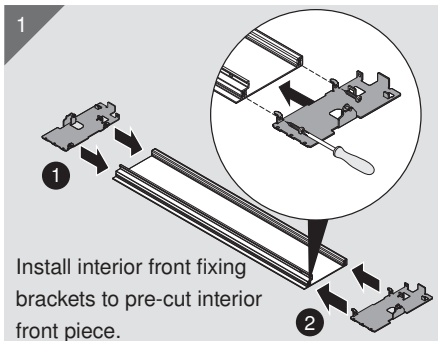


Pre-bore dimension Ø2.5 x 2

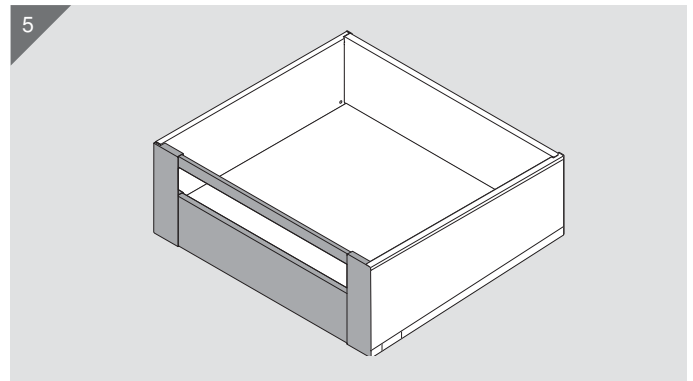
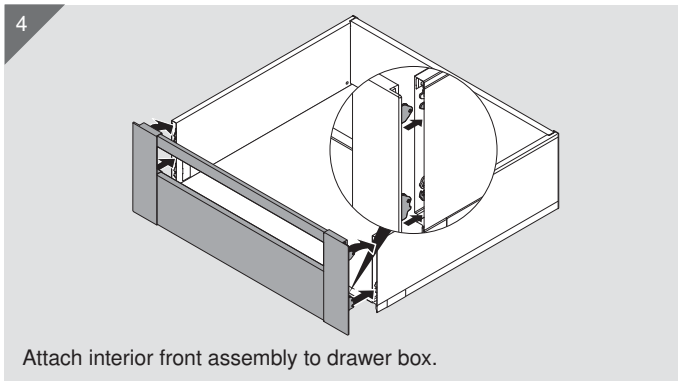
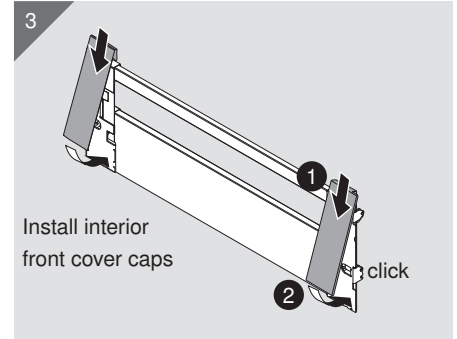
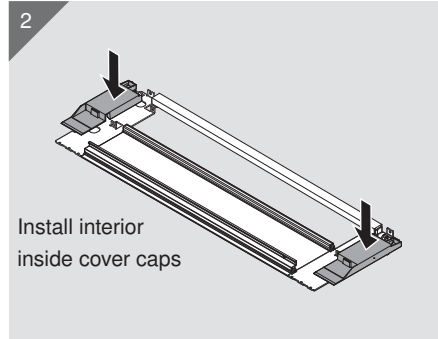
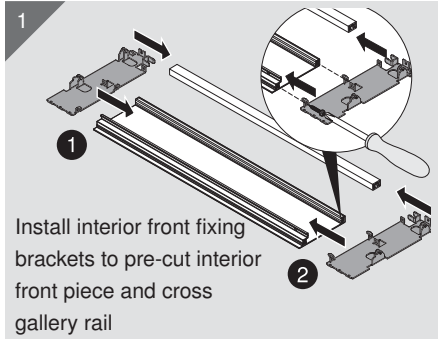
M Height Interior Front Assembly



K Height Interior Front Assembly

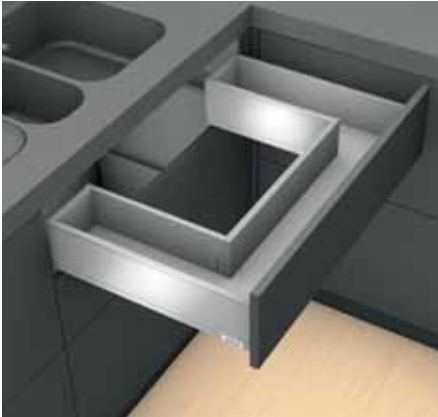


C Height Interior Front Assembly



Wraparound Sink Drawer

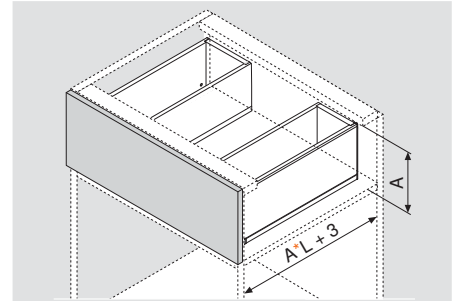
Application



Features

- Full extension drawer system with BLUMOTION
- Smooth running action
- Three-dimensional drawer front adjustment
- Static load capacity of 125 lb and 170 lb

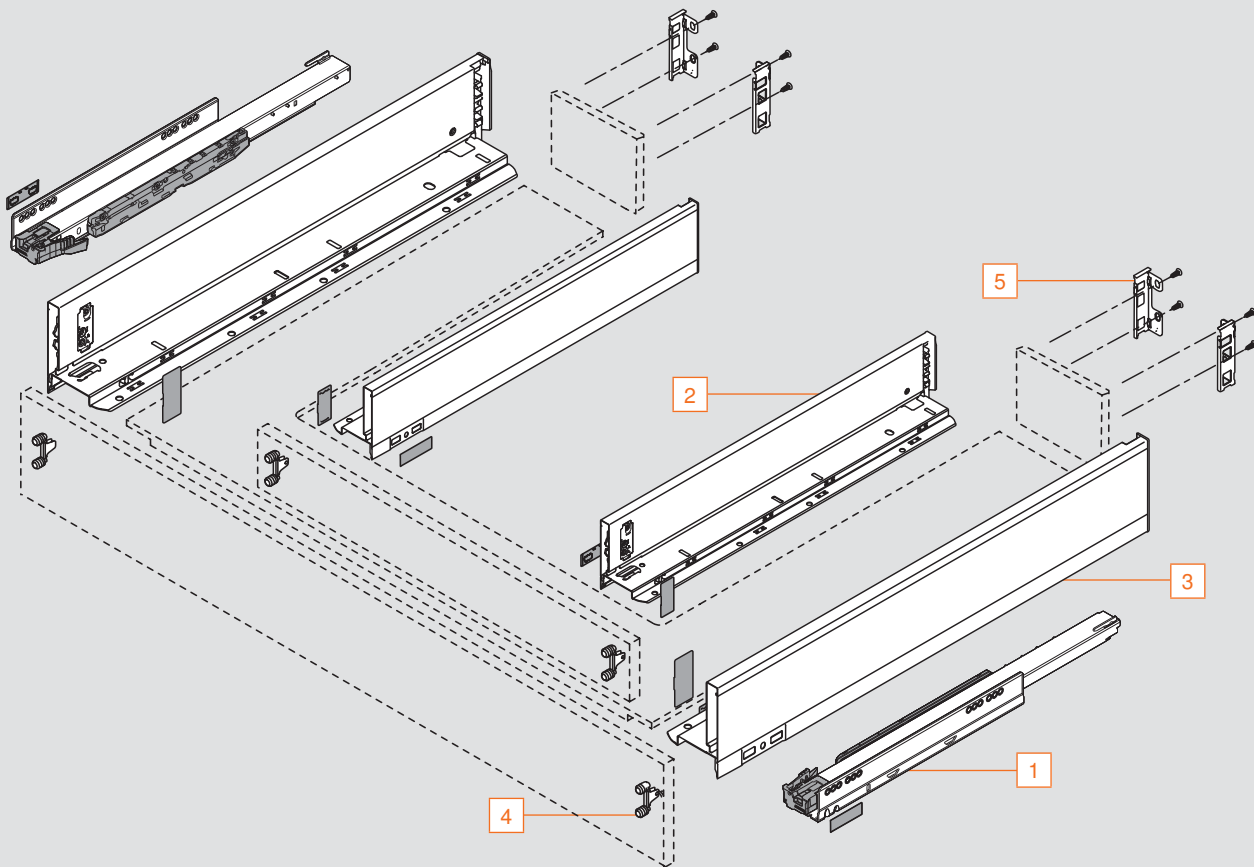
Space Requirements



AL = Actual cabinet profile length
 *Minimum opening height based on 3 (1/8") clearance

A	
M Height	106
K Height	144
C Height	193

Components



NOTE: Components showing a M Height wraparound sink drawer application

NOTE: Parts identified on right page

Specifications

LEGRABOX

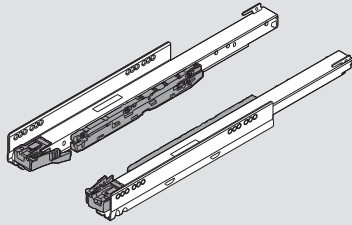


Cabinet profile set

1 Cabinet profile

Sets includes:

- Left and right cabinet profile



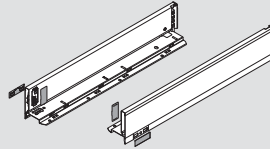
Nominal length	Actual cabinet profile length
22"	550 (21-5/8")
Profile	Part no.
125 lb	750.5501S
170 lb	753.5501S
Screws	Part no.
Installation wood screw	707N
Installation system screw	661.1300.HG

Inside drawer profile set

2 Drawer profile

Sets includes:

- Left and right drawer profile
- Drawer profiles include color coordinated cover cap
- Specify color when ordering



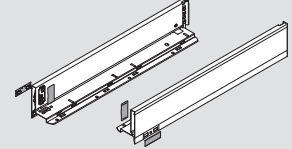
Nominal length	Actual cabinet profile length
18"	450 (17-11/16")
M Height	Part no.
Orion gray/Silk white	770M4502S
Stainless steel	770M4502I
Screws	Part no.
Installation wood screw	612TH

Outside drawer profile set

3 Drawer profile

Sets includes:

- Left and right drawer profile
- Drawer profiles include color coordinated cover cap
- Specify color when ordering



Nominal length	Actual cabinet profile length
22"	550 (21-5/8")
M Height	Part no.
Orion gray/Silk white	770M5502S
Stainless steel	770M5502I
K Height	Part no.
Orion gray/Silk white	770K5502S
Stainless steel	770K5502I
C Height	Part no.
Orion gray/Silk white	770C5502S
Stainless steel	770C5502I
Screws	Part no.
Installation wood screw	612TH

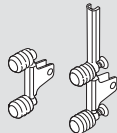
Front fixing bracket options

4

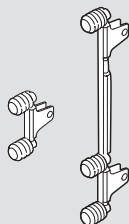
EXPANDO



OR



OR



Two M brackets required per drawer	Part no.
EXPANDO	ZF7M70E2
Screw-on*	ZF7M7002
Two M brackets required per drawer	Part no.
Two K brackets required per drawer	Part no.
EXPANDO	ZF7M70E2
Screw-on*	ZF7M7002
EXPANDO	ZF7K70E2
Screw-on*	ZF7K7002
Two M brackets required per drawer	Part no.
Two C brackets required per drawer	Part no.
EXPANDO	ZF7M70E2
Screw-on*	ZF7M7002
EXPANDO	ZF7C70E2
Screw-on*	ZF7C7002

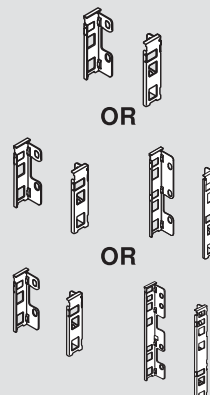
*Use of #6 x 5/8" wood screw recommended

Rear fixing bracket set options

5

Set includes:

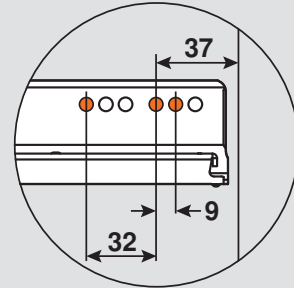
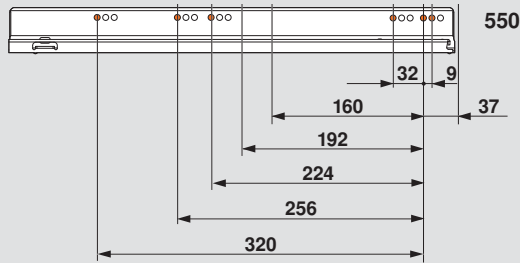
- Left and right bracket
- Two pairs required per drawer
- Orion gray (OG-M) or Silk white (SW-M)
- Specify color when ordering



Two M brackets required per drawer	Part no.
Rear fixing bracket set	ZB7M000S
Installation screw	612TH
One M bracket required per drawer	Part no.
One K bracket required per drawer	Part no.
Rear fixing bracket set	ZB7M000S
Rear fixing bracket set	ZB7K000S
Installation screw	612TH
One M bracket required per drawer	Part no.
One C bracket required per drawer	Part no.
Rear fixing bracket set	ZB7M000S
Rear fixing bracket set	ZB7C000S
Installation screw	612TH

Cabinet profile installation

750
125 lb
753
170 lb

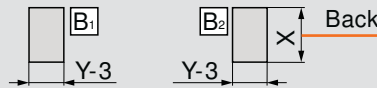


NOTE: The orange dots indicate fixing screw locations required to meet specified load ratings

Cutting dimensions for bottom and back

Drawer bottom

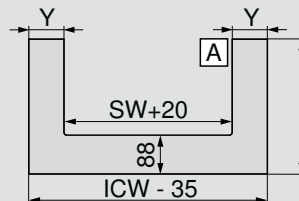
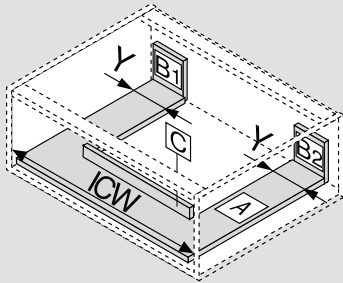
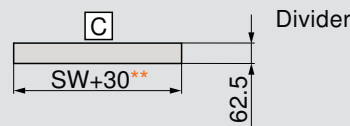
Width = Inside cabinet width minus 35 (1-3/8")
Length = Actual cabinet profile length minus 10 (13/32")



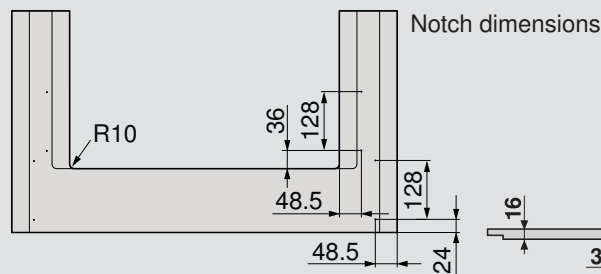
X	
M Height	63
K Height	101
C Height	148

Drawer back

Width = Inside cabinet width minus 38 (1-1/2")
Height = 63 (2-15/32")



Bottom
Y = ((ICW - 35) - (SW + 20)) divided by 2
Y min = 115



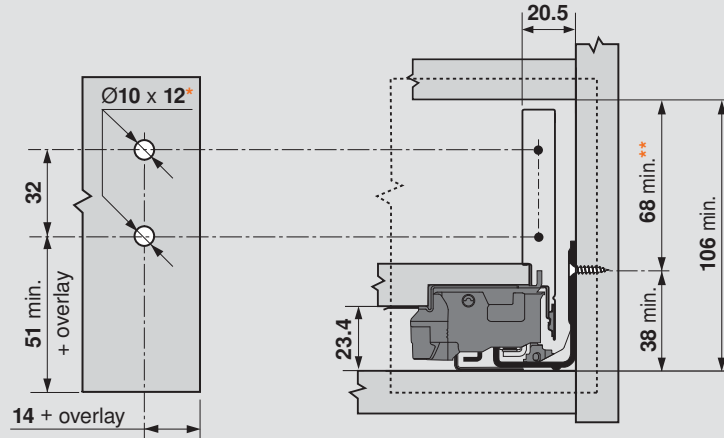
**27 for screw on bracket (ZF7M002)

AL = Actual cabinet profile length
ICW = Inside cabinet width
SW = Sink width

NOTE: Use 16 (5/8") material for bottom, back and divider

Front fixing bracket installation

M Height



NOTE: For full drawer assembly see page 9

*Pre-boring dimensions for EXPANDO only, for screw-on pre-bore Ø2 x 2.5

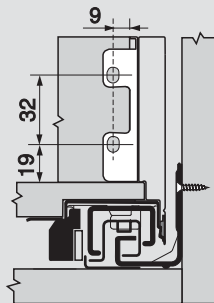
**Includes 2 tilt adjustment

Additional front fixing bracket installation

K Height	page 29
C Height	page 33

Rear fixing bracket installation

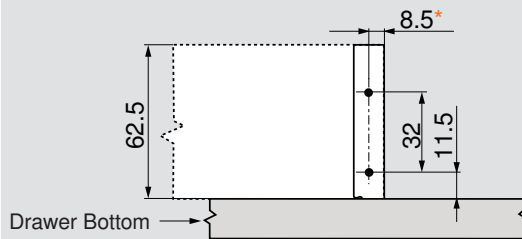
M Height



Additional rear fixing bracket installation

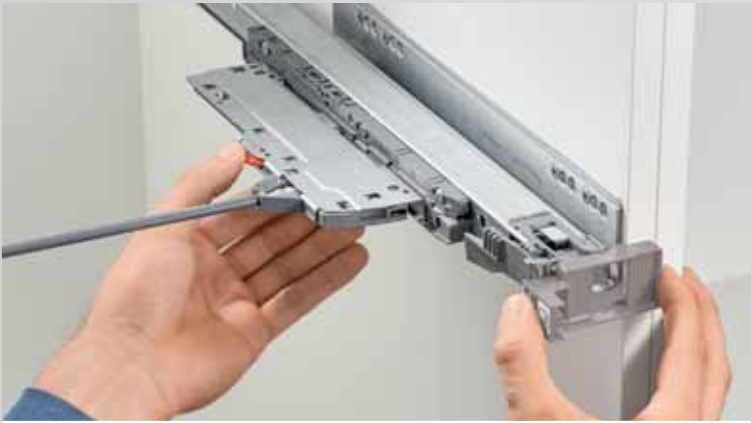
K Height	page 29
C Height	page 33

Inside divider installation



NOTE: Use 16 (5/8") material for bottom, back and divider

*7 when using ZF7M7002



Precise front gap adjustment

The front gap template can be used to precisely and conveniently adjust the front gap to 2.5 mm.



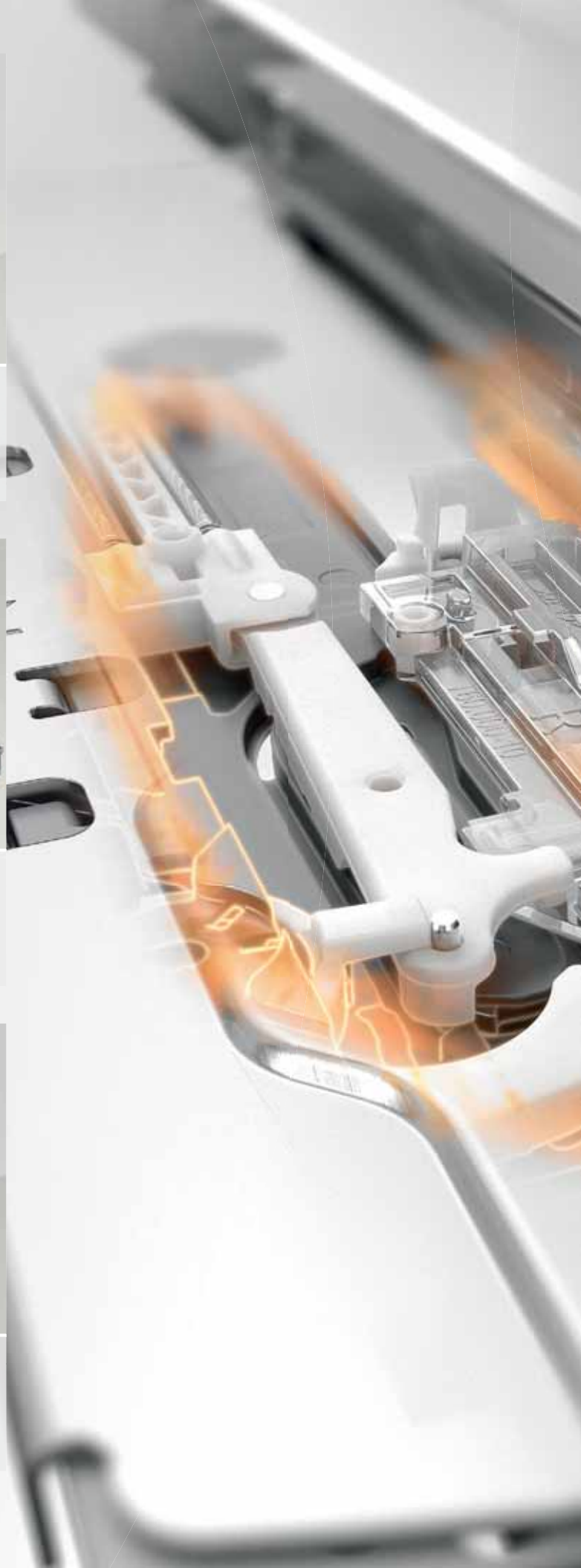
Simple, tool-free assembly

The TIP-ON BLUMOTION unit can be assembled tool-free, once aligned, the mechanism snaps in place.



Cabinet Profile Installation

The LEGRABOX S cabinet profile uses standard LEGRABOX installation specifications.



TIP-ON BLUMOTION for LEGRABOX

TIP-ON BLUMOTION combines the best of both worlds – a mechanical, non-electric, opening support system. This allows you to touch the drawer front to open the drawer – and a soft close.

TIP-ON BLUMOTION for LEGRABOX provides flexibility by offering the TIP-ON unit in four different strengths. Find your drawer runner length and select the appropriate unit and trigger. A synchronization rod is recommended for all cabinet widths for optimal function.



TIP-ON BLUMOTION for LEGRABOX Cabinet Profile



TIP-ON BLUMOTION Units and Triggers



S1 – Light gray (270 mm)



L1 – Light gray (350 mm — 550 mm)



L3 – Dust gray (350 mm — 550 mm)



L5 – Black (450 mm — 650 mm)

Optimal Opening and Closing Function

Can be used for actual cabinet profile length in mm	Unit	Total weight of drawer, when loaded						
		<22 lb	44 lb	66 lb	88 lb	110 lb	132 lb	155 lb
270	S1	0 - 44 lb						
350 — 550	L1	0 - 44 lb						
350 — 550	L3			44 - 88 lb				
450 — 650	L5					88 - 155 lb		

LEGRABOX



TIP-ON BLUMOTION

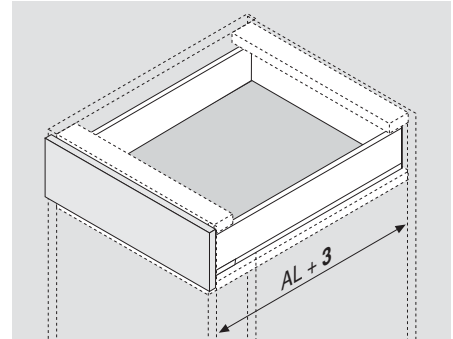
Application



Features

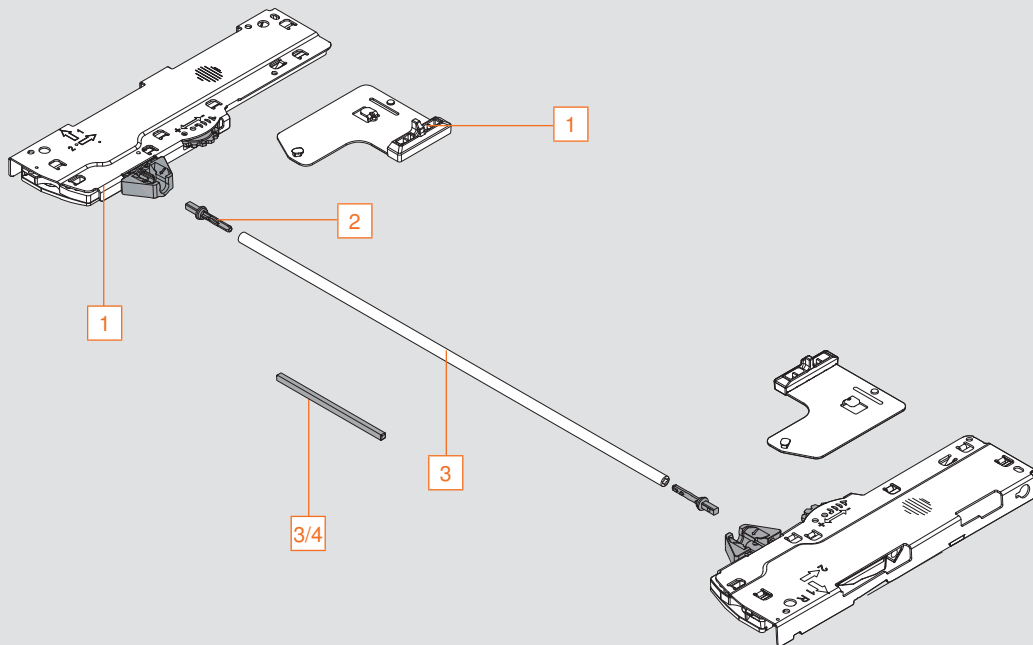
- Enables LEGRABOX drawers to be opened with just a light touch of the drawer front
- Fully mechanical motion
- Smooth running action

Space Requirements



AL = Actual cabinet profile length

Components



NOTE: Parts identified on right page



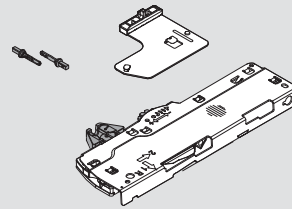
Choose cabinet and drawer profile before selecting TIP-ON BLUMOTION unit and trigger, see pages 18-49.

TIP-ON BLUMOTION for LEGRABOX

Sets include:

- Left and right TIP-ON units and triggers
- Two synchronization adapters

1 TIP-ON BLUMOTION unit and trigger



Nominal length	Actual cabinet profile length	S1	L1	L3	L5
11"	270 (10-5/8")	T60L7140			
14"	350 (13-3/4")		T60L7340	T60L7540	
16"	400 (15-3/4")		T60L7340	T60L7540	
18"	450 (17-11/16")		T60L7340	T60L7540	T60L7570
20"	500 (19-11/16")		T60L7340	T60L7540	T60L7570
22"	550 (21-5/8")		T60L7340	T60L7540	T60L7570
24"	600 (23-5/8")				T60L7570
26"	650 (25-9/16")				T60L7570

TIP-ON BLUMOTION synchronization

2

- To be used with the T60L118W synchronization rod
- Two adapters are provided with TIP-ON BLUMOTION unit and trigger

Part no.

Synchronization adapters **T60.000D**

3

- Inside cabinet width:
Minimum = **294** (11-9/16")
Maximum = **1365** (53-3/4")
- Length **1118** (44-1/32", cut to size)

Part no.

Synchronization rod **T60L118W**

TIP-ON BLUMOTION synchronization for narrow applications

3/4

- Inside cabinet width:
Minimum = **261** (10-9/32")
Maximum = **285** (11-7/32")
- Length **64** (2-1/2"), cut to size

Part no.

Sync. rod **T60.300D.22**

NOTE: A synchronization rod is recommended for all cabinet widths for optimal function

Do not use bumpers, as this can inhibit the function of TIP-ON BLUMOTION when the drawer front is pressed.

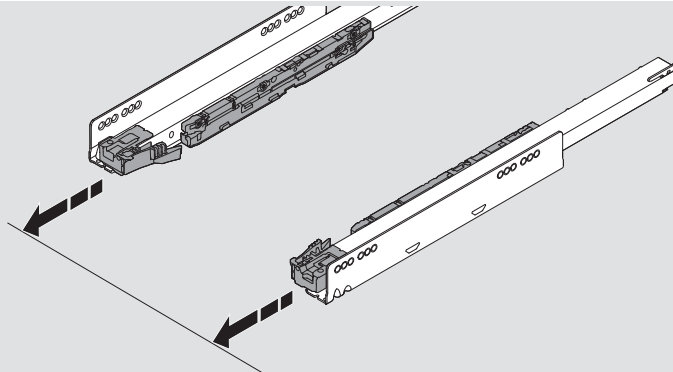
TIP-ON BLUMOTION front gap template

- For creating a **2.5** (3/32") front gap

Part no.

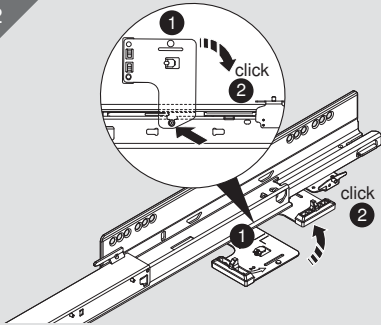
65.5631.US

1



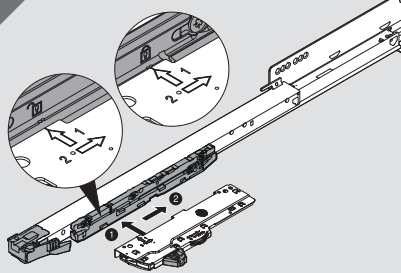
Fully extend cabinet profiles.

2



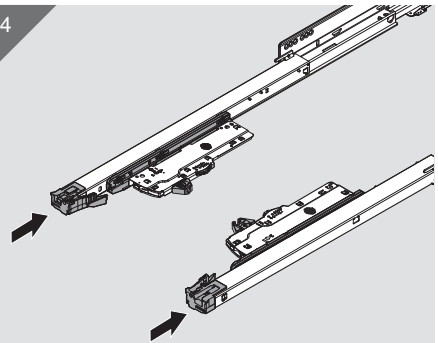
Install trigger to underside of cabinet profile

3



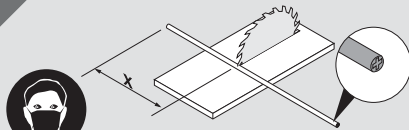
Attach TIP-ON BLUMOTION unit to cabinet profile

4



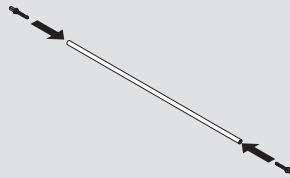
Completely close cabinet profiles

5



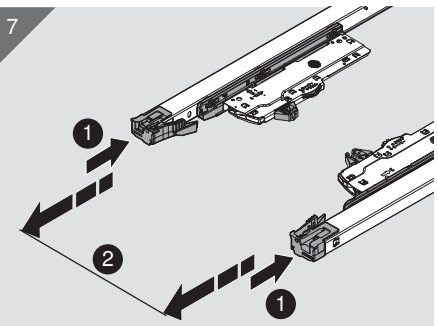
X = ICW (Inside cabinet width) - 247 (9 23/32")

6



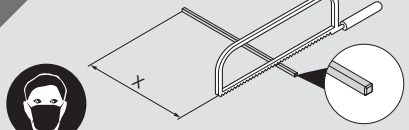
Minimum opening width = 294 (11-9/16")

7



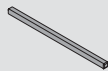
Push both cabinet profiles in simultaneously for installation of synchronization rod.

5a



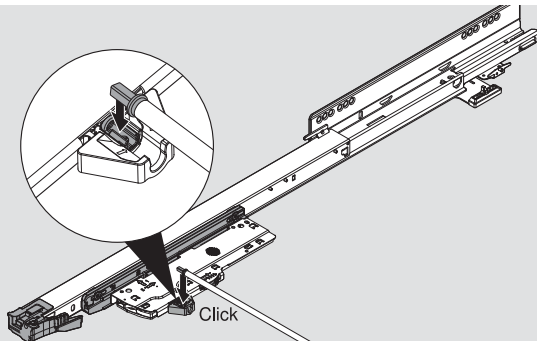
X = ICW (Inside cabinet width) - 221 (8-11/16")

6a



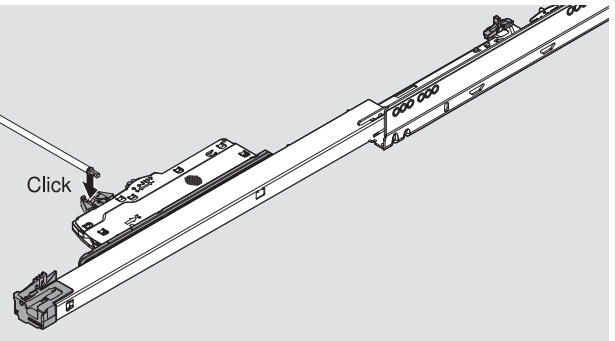
Minimum opening width = 261 (10-9/32")

8

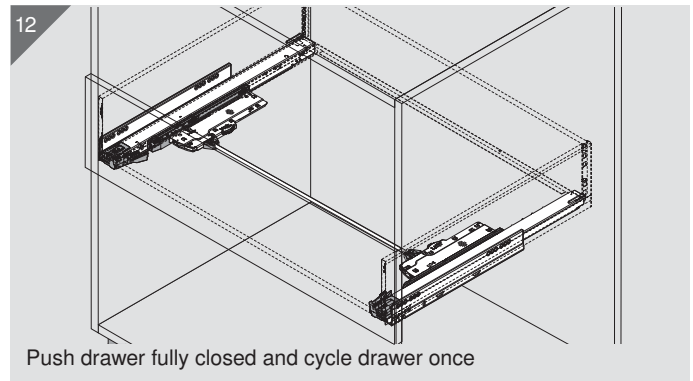
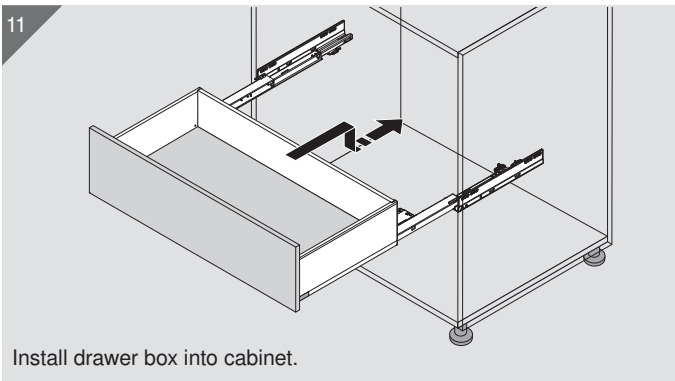
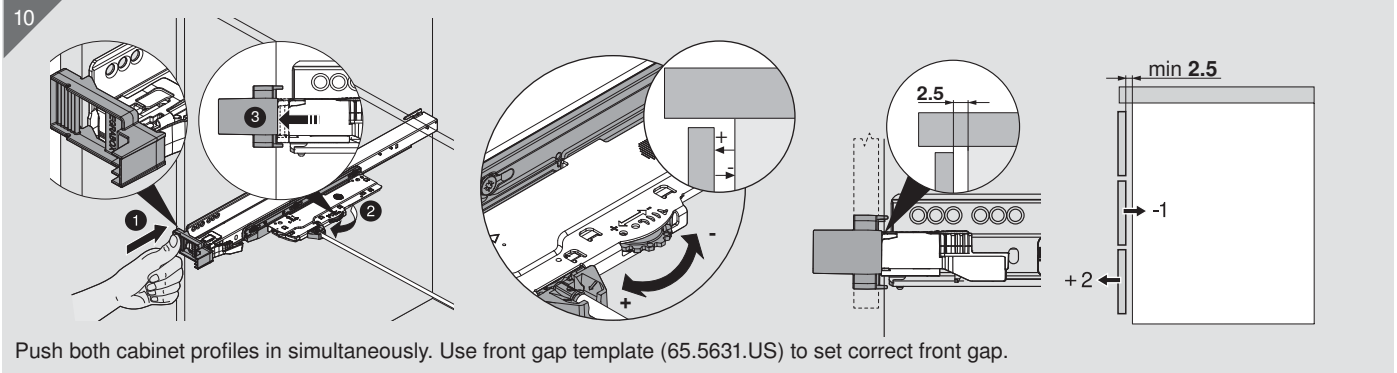


Insert synchronization adapter into TIP-ON BLUMOTION unit.

9

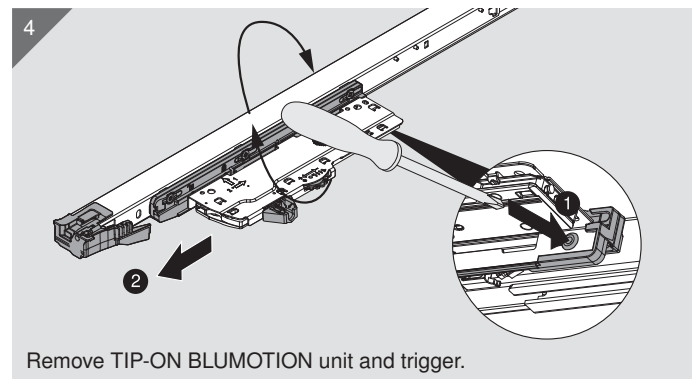
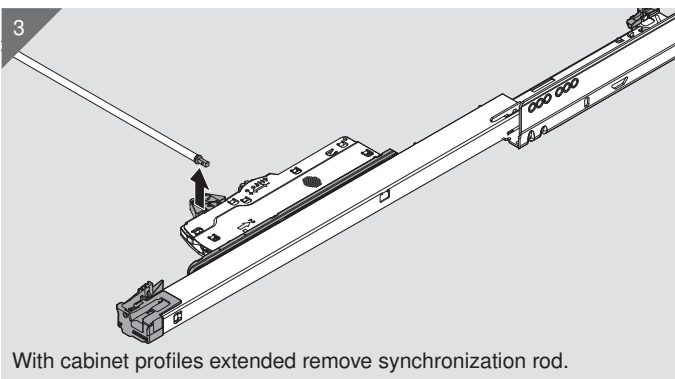
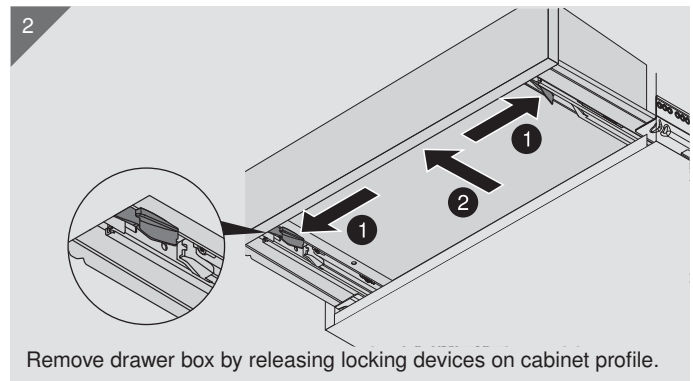
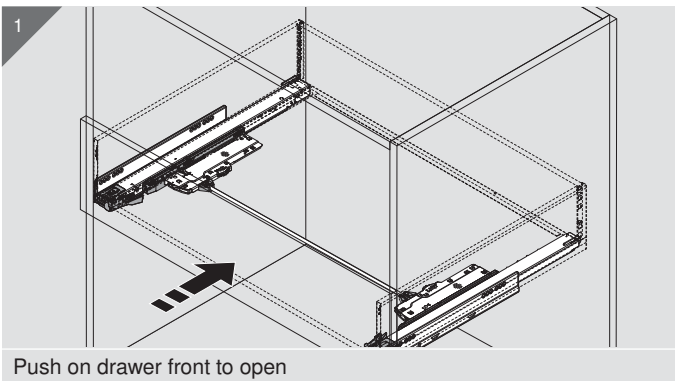


Repeat for opposite side.



Additional installation instructions available on blum.com/legraboxinstallation

Removal



Cabinet profile template

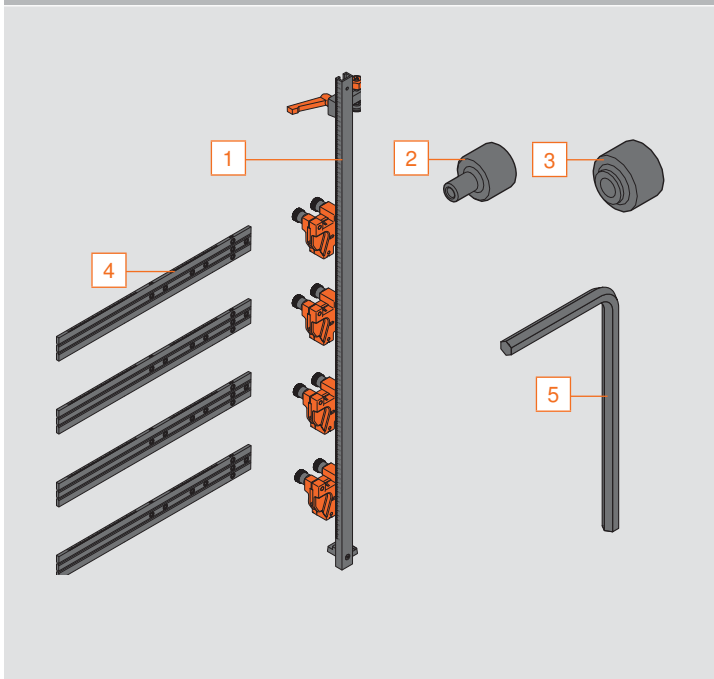


- Used for pre-boring holes for LEGRABOX, TANDEMBOX, and TANDEM drawer runners
- Can also be used to pre-bore AVENTOS locating pins and pre-boring for hinge mounting plates

Part no.

Cabinet profile template	65.1000.01
Replacement template	65.1001.01
Ø2.5 drill bit	DB-2.5mm

Components



Cabinet profile template includes:

- Rail, 1 meter long (qty 1)
- Ø2.5 stop collar (qty 1)
- Ø5 stop collar (qty 1)
- Replacement template (qty 4)
- Allen wrench (qty 1)

Universal individual template



- Used for pre-boring holes for LEGRABOX, TANDEMBOX, and TANDEM drawer runners
- Can also be used to pre-bore for AVENTOS locating pins and pre-boring for hinge mounting plates
- Calibrated scales for accurate setting

Set includes:

- Universal individual template
- Ø2.5 and Ø5 stop collars

Part no.

Universal individual template

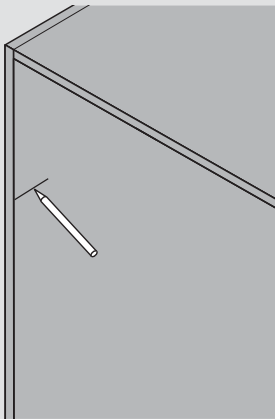
65.1051.02

Ø2.5 drill bit

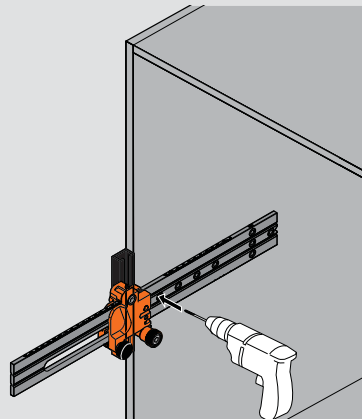
DB-2.5mm

Pre-boring for cabinet profile mounting holes

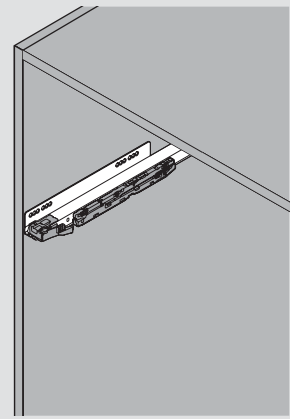
1 Mark position



2 Line up template with mark and pre-bore required holes



3 Attach runner



LEGRABOX starter kit



Set includes:

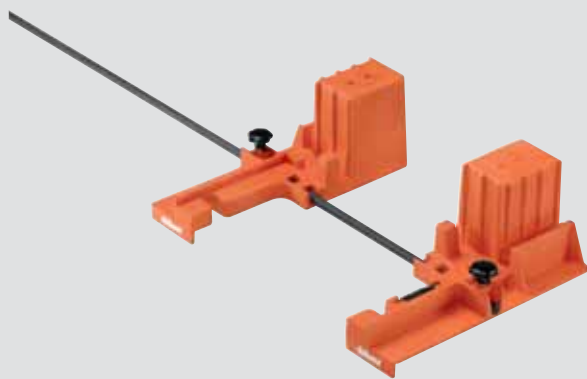
- BOXFIX E-L
 - LEGRABOX boring template
 - TORX 20 screw driver
 - VIX bit
- For all LEGRABOX heights and lengths
 - For cabinet widths **250** to **1200** (9-13/16" to 47-1/4")
 - For cabinet back heights up to **250** (9-13/16")

Part no.

LEGRABOX starter kit

ZMM.0700.20

BOXFIX E-L



Using BOXFIX E-L you can manually assemble LEGRABOX easier than ever. Its easy setup and comfortable work height all contribute to a more efficient assembly of LEGRABOX drawers.

- For all LEGRABOX heights and lengths
- For cabinet widths **250** to **1200** (9-13/16" to 47-1/4")
- For cabinet back heights up to **250** (9-13/16")

Part no.

BOXFIX E-L

ZMM.0700

BOXFIX P



Using the new BOXFIX P you can assemble LEGRABOX and TANDEMBOX faster than ever. Its easy setup, pneumatic clamps, and comfortable work height all contribute to faster, more efficient assembly of LEGRABOX and TANDEMBOX drawers.

- For all LEGRABOX and TANDEMBOX heights and lengths
- One adjustable stop for drawer width included (additional stops available)
- For cabinet widths **275** to **1200** (10-13/16" to 47-1/4")
- For back heights up to **350** (13-3/4")

Part no.

BOXFIX P

ZMM.2750.01

LEGRABOX boring template



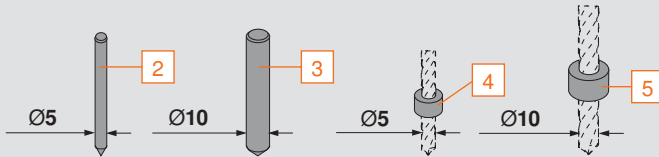
- For exact pre-boring of drawer bottom and back
- Pre-bore dimension $\text{Ø}2.5 \times 2$
- $\text{Ø}2.5$ stop collar
- 2.5 allen wrench

Part no.

LEGRABOX boring template

ZML.7000

Universal boring template



Set includes:

- 1 Template
- 2 $\text{Ø}5$ marking pin
- 3 $\text{Ø}10$ marking pin
- 4 $\text{Ø}5$ stop collar
- 5 $\text{Ø}10$ stop collar

- Used for boring drawer fronts, located all fixing positions
- Used to pre-bore for drawer fronts, bottoms and backs for LEGRABOX, TANDEMBOX and METABOX drawer systems, also AVENTOS mounting plates

Part no.

Universal boring template

ZML.0040.01

$\text{Ø}5$ drill bit

DB-5mm

$\text{Ø}10$ drill bit

DB-10mm

Front marking template



- For precise marking of the front fixing bracket locations
- Accommodates the N, M, K, C and the F Height

Part no.

Front marking template

ZML.3710

MINIPRESS P – Deluxe boring and insertion machine



- Front adjustable boring distance with digital counter
- Pneumatic hold-down clamps
- Boring depth adjustment
- Ruler stops (qty 4)
- Tool kit included
- Dust collection attachment
- Optional laser center line set
- Accepts 8 or 9 spindle heads

Part no.

Single phase – 220V power

M53.1053*US

Three phase – 220V power

M53.1004*US

MINIPRESS M – 110V manual boring and insertion machine



- 110V power with molding plug (portable)
- Does not require pressurized air
- Ruler stops (qty 4)
- Tool kit included
- Dust collection attachment
- Accepts 8 or 9 spindle heads

Part no.

Single phase – 110V power

M52.1056*US

EASYSTICK



- Automatically moves stops for exact drilling locations for all Blum products
- Built-in cabinet configurator for cabinet design with integrated Blum hardware
- Available as upgrade for MINIPRESS P (models 2007 and newer)

Part no.

Computer

MZD.5000

Fence - overall 1700mm*

MZD.2000

Fence extensions - additional 1700**

MZD.2V00

Support for extension ruler

M2V.2E00

* Maximum position 953mm from center

** 1700 each side

8 spindle head



- 8 spindle head for use with MINIPRESS/MINIDRILL M53
- Bores eight holes spaced **32** apart, perpendicular to the fence
- Quick-disconnect chucks
- Once aligned, does not require additional adjustment
- Bores all METABOX/TANDEMBOX/LEGRABOX front fixing brackets and galleries
- Bores cabinet side panels for all Blum runner systems
- Requires retrofit set for use with machines produced in 2009 or prior

Includes:

- Ø3 allen wrench
- Distance spacer
- Drive pin
- Air hose

Part no.

8 spindle head	MZK.880S
Chuck cover cap	M30.1329

9 spindle head



- 9 spindle head for use with MINIPRESS/MINIDRILL M53
- Bores nine holes spaced **32** apart, parallel to the fence
- Quick-disconnect chucks
- Once aligned, does not require additional adjustment
- Bores cabinet side panel for **32** millimeter system boring for Blum mounting plates and runners
- Requires retrofit set for use with machines produced in 2009 or prior

Includes:

- Ø3 allen wrench
- Distance spacer
- Drive pin
- Air hose

Part no.

9 spindle head	MZK.190S
Chuck cover cap	M30.1329

LEGRABOX bottom router



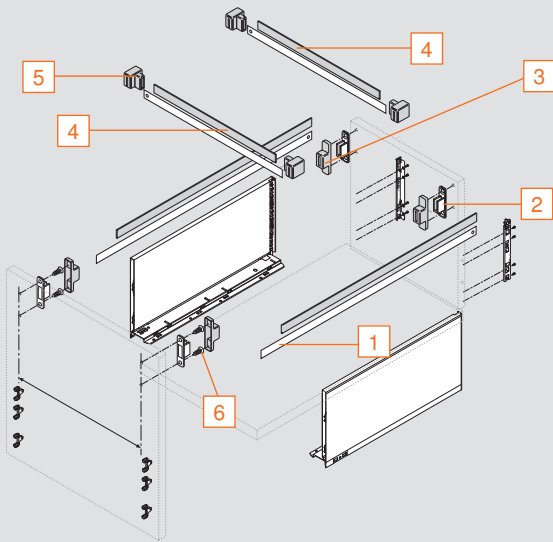
- For easy and precise notching of the drawer bottom
- Single phase - 220V power
- Dust collection required

Part no.

LEGRABOX bottom router	M35.7200.NA
------------------------	--------------------

METAFILE set

Set makes one standard hanging file. Recommended use in combination with F & C Height drawer.



Set includes:

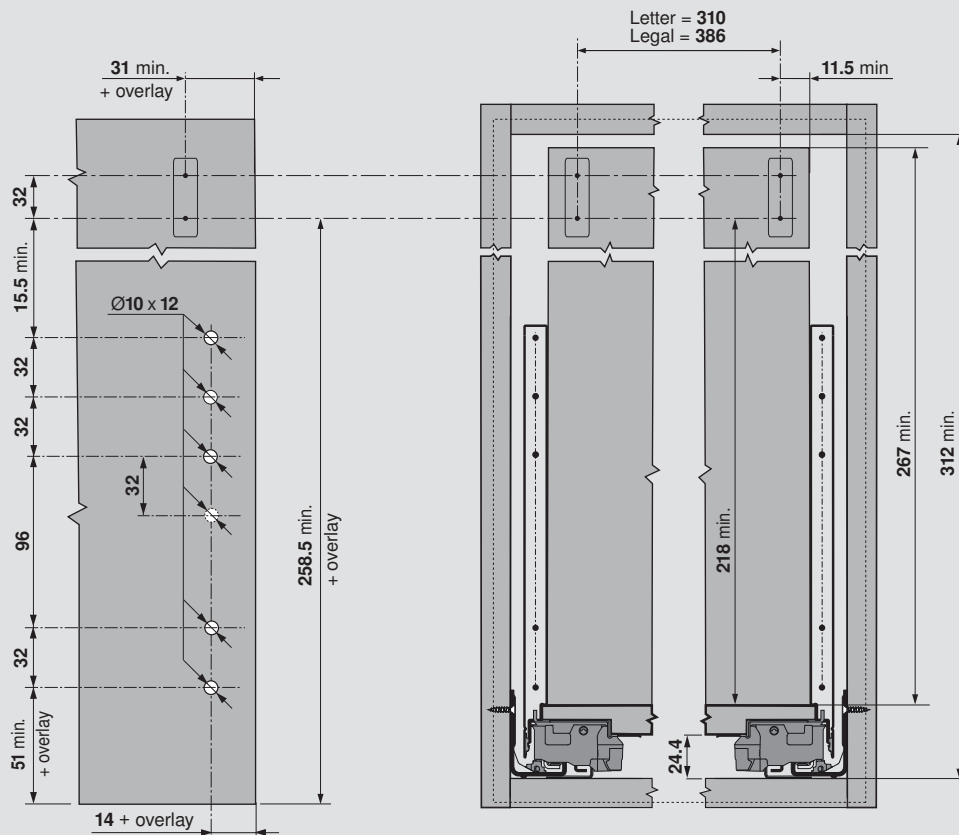
- 1 Steel hanging rails (qty 4) – 3 x 13 x 550 (1/8" x 1/2" x 21-5/8")
- 2 Rail support brackets (qty 4)
- 3 Rail support covers (qty 4)
- 4 Glide profiles (qty 4) – length 550 (21-5/8")
- 5 Lateral brackets (qty 4)
- 6 Flathead wood screws (qty 8) – #6 x 19 (3/4")

NOTE: Choose Dust gray (R737) for use with LEGRABOX

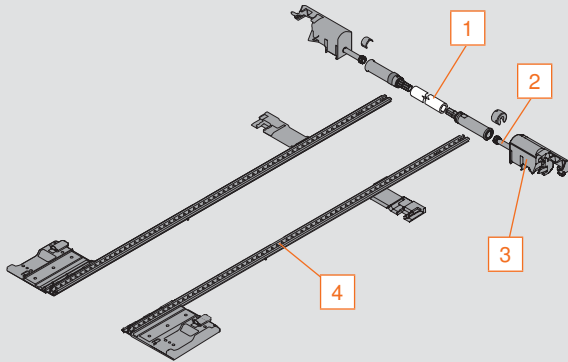
Part no.

METAFILE Dust gray set	ZRM.5500
METAFILE Silk white set	ZRM.5500.US
Replacement parts	
Glide profiles	ZRM.550G
Installation wood screw	6064N

METAFILE installation dimensions



Lateral stabilizer set



Set includes:

- 1 Linkage rod, 1071 (42-5/32")
- 2 Pinion gears (qty 2)
- 3 Rear brackets, left and right
- 4 Gear racks, left and right

- Recommended for cabinet widths from 900 - 1400 (35-7/16" - 55-1/8")
- Minimum space requirement (depth) AL +15 (AL = Actual cabinet profile length)

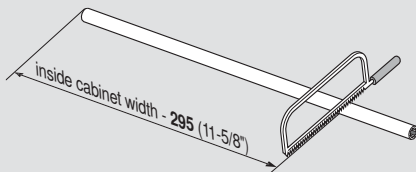
Runner length	Part no.
270 - 400 (11" - 16")	ZS7M400LU
450 - 650 (18" - 26")	ZS7M650LU

NOTE: Parts identified to the right of the image

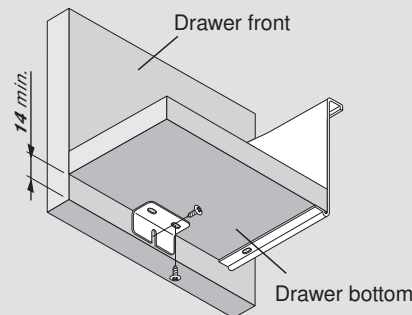
NOTE: Lateral stabilizer instructions on pages 70 and 71

Linkage rod specifications

- Length = Inside cabinet width minus 295 (11-5/8")
- Maximum inside cabinet width 1366 (53-8/4")



Drawer front support bracket



- Add-on bracket for wide drawers to keep the front tight to the drawer bottom
- Attach with 612TH screws #6 x 1/2" trusshead

	Part no.
Support bracket	ZSB.0090.01
Installation screw	612TH

Front stabilization bracket

- Used for stabilizing wide drawers and/or tall drawer fronts
- Reinforces the connection between the drawer bottom and the front
- One required per drawer, center on drawer bottom

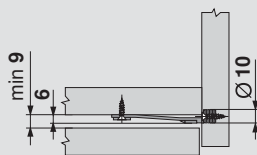


Part no.

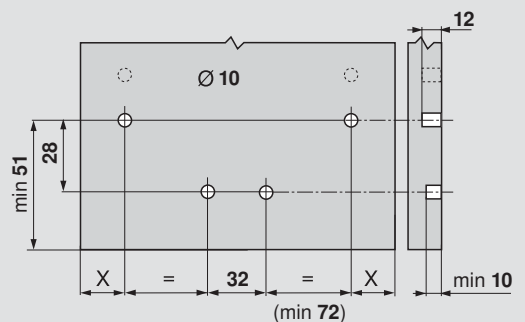
Front stabilization bracket	Z96.10E1
-----------------------------	----------

Front stabilization bracket application

Space requirements

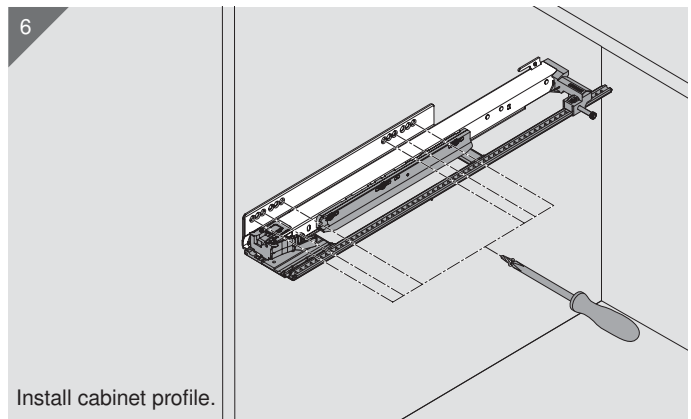
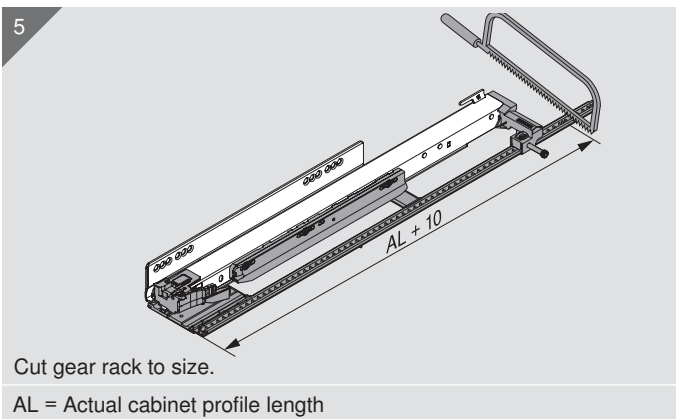
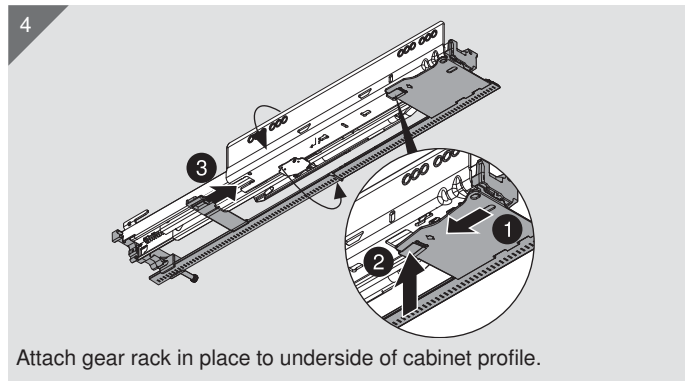
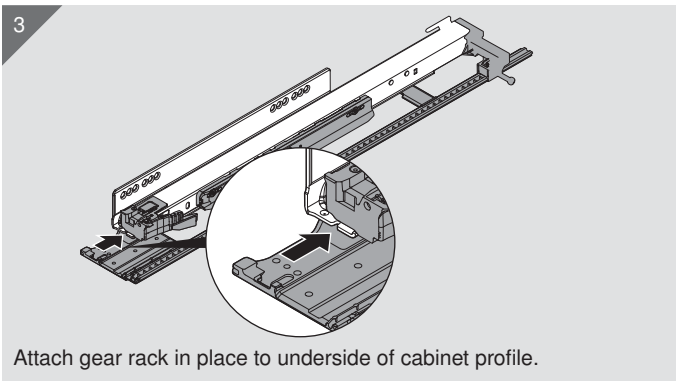
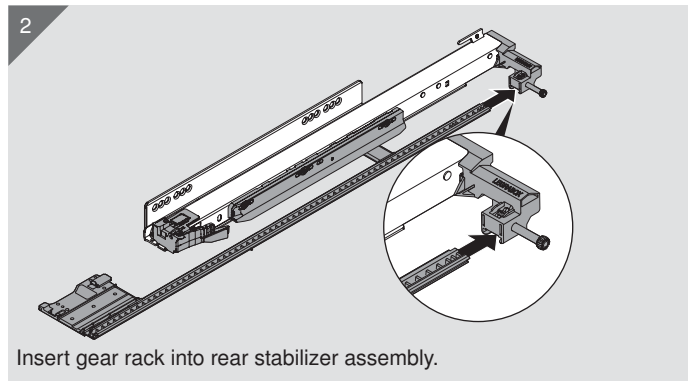
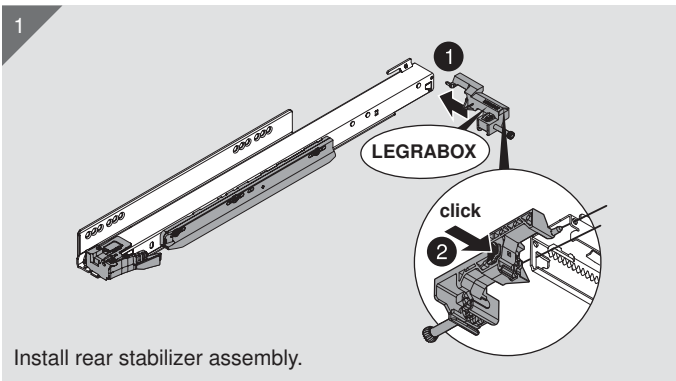
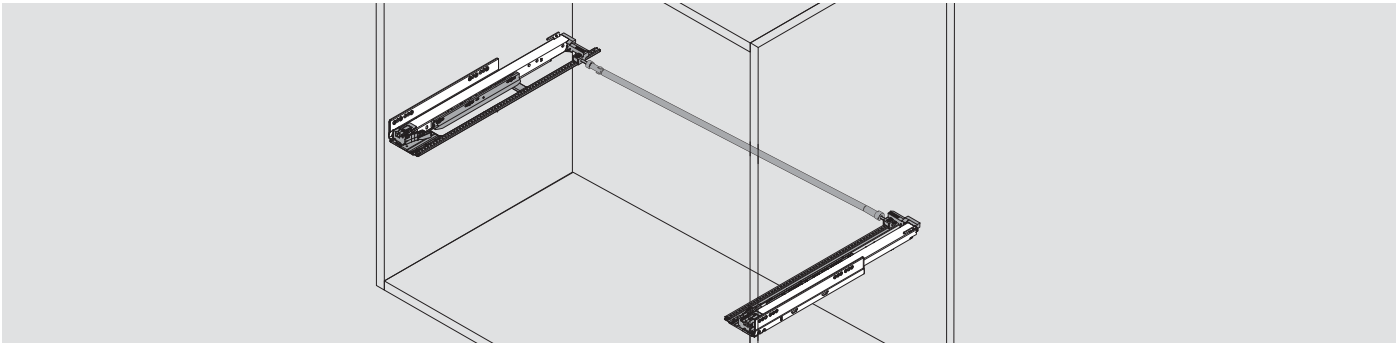


Front boring dimensions

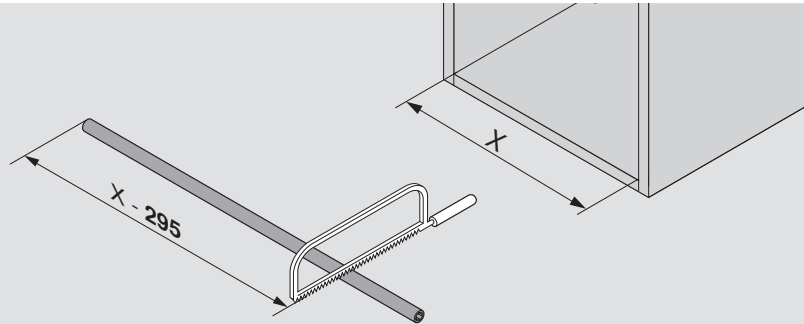


NOTE: X = 14 + overlay

Lateral Stabilizer Assembly

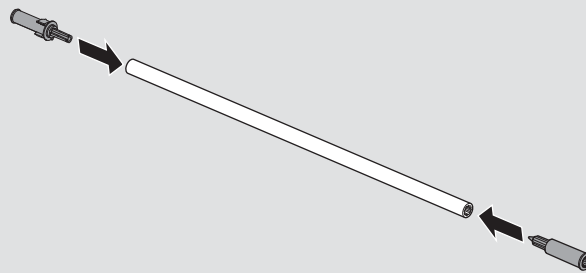


7



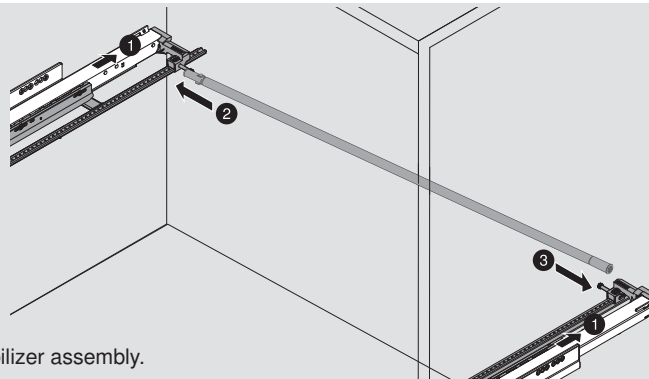
Cut linkage rod to size.

8



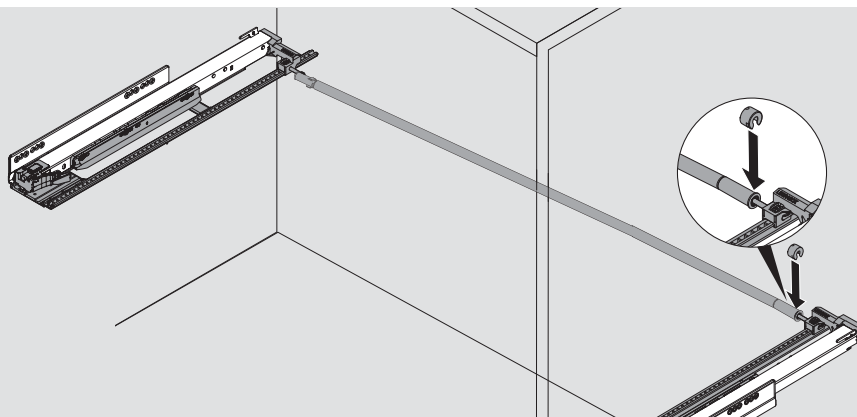
Insert linkage rod adapters.

9



Install linkage rod onto lateral stabilizer assembly.

10



Install locking clips.



Accessories

TORX DRIVER

- For LEGRABOX adjustments
- TORX size 20 (T20)
- Blade length **100**
- Total length **210**



Part no.

T20 TORX DRIVER **TORX DRIVER**

Short TORX DRIVER

- For LEGRABOX adjustments
- TORX size 20 (T20)
- Blade length **35**

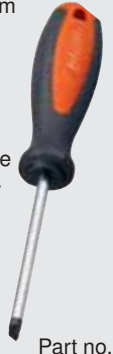


Part no.

T20 TORX DRIVER **SHORT TORX DRIVER**

POZI DRIVER

A POZI screwdriver (different from Phillips) is the most crucial tool you can use to assure that full torque is applied to all Blum mounting screws. POZI screws can be identified by the distinctive "tick" marks located in the center of the screwhead recess.



Part no.

#2 POZI DRIVER	POZI DRIVER
1/4" Magnetic bit holder	BIT HOLDER
#2 x 1" POZI bit insert	POZI BIT #2X1
#2 x 2" POZI bit insert	POZI BIT #2X2

Deep thread system screw



- Pilot bore $\varnothing 5$ (3/16") hole

Part no.

#7 x 13, #2 POZI	661.1300.HG
#7 x 14.5, #2 POZI	661.1450.HG

$\varnothing 10$ Drill bit



- $\varnothing 10$ (13/32") drill bit for the MINIPRESS boring heads

Part no.

Drill bit (right hand)	M01.ZB10.02
Drill bit (left hand)	M01.ZB10.03

Deep thread wood screw



- Pilot bore $\varnothing 2.5$ (3/32") hole

Part no.

#6 x 5/8", #2 Phillips	606N
#6 x 5/8", #2 POZI	606P
#7 x 5/8", #2 Phillips	707N
#7 x 3/4", #2 Phillips	7074N

$\varnothing 5$ Drill bit



- $\varnothing 5$ (3/16") drill bit for the MINIPRESS boring heads

Part no.

Drill bit (right hand)	M01.ZB05.D2
Drill bit (left hand)	M01.ZB05.D3

Truss head wood screw



- Pilot bore $\varnothing 2.5$ (3/32") hole

Part no.

#6 x 1/2", #2 Phillips	612TH
------------------------	--------------

VIX bit

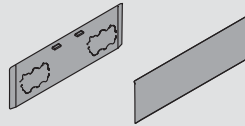


- For pre-drilling a $\varnothing 3$ (1/8") pilot hole

Part no.

$\varnothing 3$ piloting bit	VPB-5
------------------------------	--------------

LEGRABOX outside cover caps

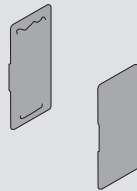


- For use with LEGRABOX drawers
- Non-handed, symmetrical design
- Colors: Orion gray (OG-M), Nickel (IN-G) and Silk white (SW-M). Specify color when ordering
- Custom logo printing available

Part no.

Orion gray/Silk white outside cover cap	ZA7.0700
Nickel outside cover cap	ZA7.0709

LEGRABOX inside cover caps



- For use with M, K, C and F height LEGRABOX applications
- Non-handed, symmetrical design
- Colors: Orion gray (OG-M), Nickel (IN-G) and Silk white (SW-M). Specify color when ordering
- Covers adjustment area on the inside of the drawer profile

Part no.

Orion gray/Silk white inside cover cap	ZA7.5700
Nickel inside cover cap	ZA7.5709

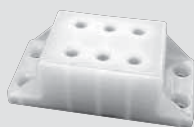
- For use with N height LEGRABOX application
- Non-handed, symmetrical design
- Colors: Orion gray (OG-M), Nickel (IN-G) and Silk white (SW-M). Specify when ordering
- Covers adjustment area on the inside of the drawer profile

Part no.

Orion gray/Silk white inside cover cap	ZA7.5710
Nickel inside cover cap	ZA7.5719

Side spacer

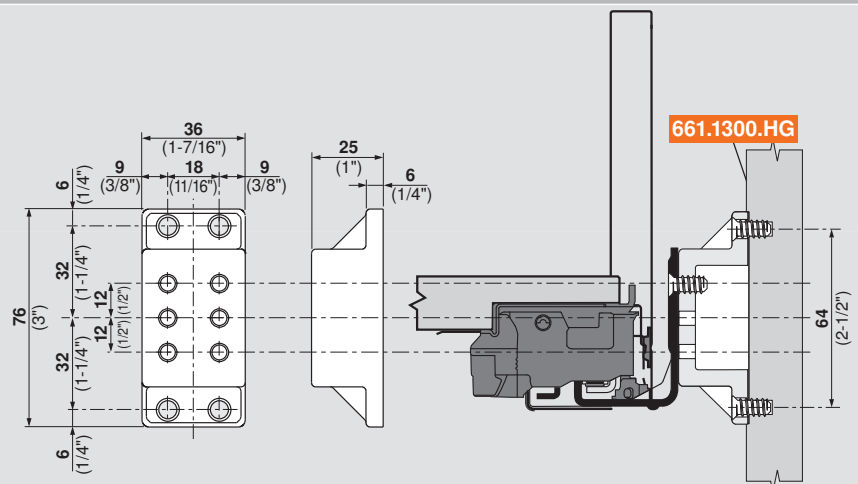
For spacing cabinet profiles for clearance on interior roll-out trays



Part no.

Spacer	T59.3570
POZI installation screw	661.1300.HG

Side spacer application



NOTE: Use two on 750 series and three on 753 series

AMBIA-LINE for LEGRABOX

Create perfect order in any drawer with AMBIA-LINE. This storage solution system, with its narrow-frame design, offers various options for organizing the interiors of your drawers with simple elegance. AMBIA-LINE inserts can be combined to suit a wide range of cabinet widths. Use a damp cloth to clean all AMBIA-LINE products.

 **blum**

 **blum**



Blum's Ideas for Functional Kitchens

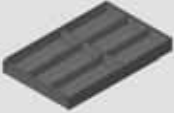
With its reduced dimensions, AMBIA-LINE is particularly suited for LEGRABOX, the elegant box system, with straight and narrow drawer sides. Stylish and practical, AMBIA-LINE drawer organization system in Orion gray provides a clean, harmonious look and function to the interior of your drawer.

To calculate inside drawer width available:

LEGRABOX – Inside cabinet width - 41 (1-5/8")

blum.com/ideas

Flatware insert



- Width 300 (12")
- Height 50 (2")
- Coated with a soft touch, noise-dampening material

Part no.

For 500 (20") drawer	ZC7S500BS3
----------------------	-------------------

Flatware insert




- Width 300 (12")
- Height 50 (2")
- Coated with a soft touch, noise-dampening material

Part no.

For 550 (22") drawer	ZC7S550BS3
----------------------	-------------------

Narrow utensil insert




- Width 100 (4")
- Height 51 (2")

Part no.

For 500 (20") drawer	ZC7S500RS1
For 550 (22") drawer	ZC7S550RS1

Wide utensil insert



- Width 200 (8")
- Height 51 (2")

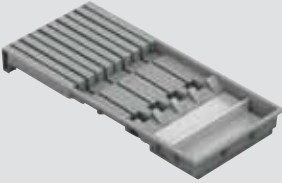
Part no.

For 500 (20") drawer	ZC7S500RS2
For 550 (22") drawer	ZC7S550RS2

Accessories

AMBIA-LINE Knife holder

- Length 409 (16-1/8")
- Width 187 (7-3/8")
- Height 43 (1-11/16")
- Holds 9 knives
- High quality nylon and stainless steel
- Use with wide utensil insert



Part no.

Knife holder	ZC7M0200
--------------	-----------------

AMBIA-LINE Spice tray

- Length 356 (14")
- Width 200 (7-7/8")
- Height 84 (3-5/16")
- Non-slip bottom
- High quality nylon and stainless steel
- Use with deep drawer insert



Part no.

Spice tray	ZC7G0P01
------------	-----------------

Plate holder

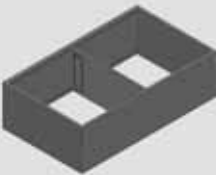
- Adjustable width 186 to 322 (7-5/16" to 12-11/16")
- Overall height 170 (6-11/16")
- Holds up to 12 plates
- Non-slip bottom
- High quality nylon and stainless steel




Part no.

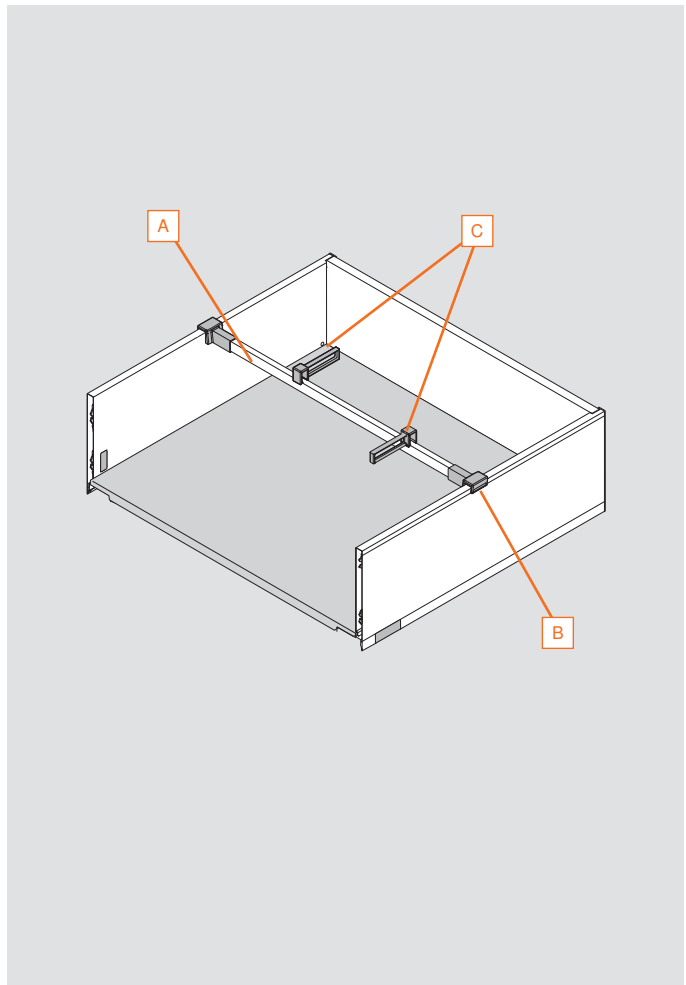
Plate holder	ZC7T0350
--------------	-----------------

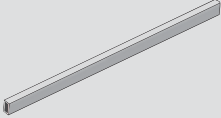
Deep Drawer Insert

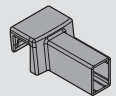
Deep drawer insert	
	<ul style="list-style-type: none"> Length 370 (14-9/16") Width 218 (8-9/16") Height 111 (4-3/8") Includes adjustable cross divider (qty 1) Steel frame For C and F height drawers Magnetic back Non-slip rubber feet Order steel adapter plate (ZC7A0P0C) separately
	Part no.
Deep drawer insert	ZC7F400RSP

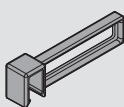
Adapter plate	
	<ul style="list-style-type: none"> Length 218 (8-9/16") Height 148 (5-13/16") To be used with deep drawer insert (ZC7F000RSP)
	Part no.
Adapter plate	ZC7A0P0C

Deep Drawer Cross Gallery Rail



A Cross gallery rail	
	<ul style="list-style-type: none"> Length 1080 (42-1/2") Cut cross rail to size
	<p>Cutting Dimensions Inside cabinet width minus 90 (3-17/32")</p> <p>NOTE: Choose Orion gray (OG-M) or brushed nickel (ELN2) on order form</p>
	Part no.
Cross gallery rail	ZR7:1080U

B Connector	
	<ul style="list-style-type: none"> 2 required per cross rail set-up (order each separately) Dust gray
	Part no.
Connector	ZC7U10E0

C Lateral divider	
	<ul style="list-style-type: none"> Dust gray
	Part no.
Lateral divider	ZC7U10F0



Part No.	Page No.
606N	72
6064N	68
606P	72
612TH	72
65.1000.01	62
65.1001.01	62
65.1051.02	63
65.5631.US	59
661.1300.HG	72
661.1450.HG	72
7074N	72
707N	72
750.2701S	23, 31, 39, 47
750.3501S	23, 27, 31, 39, 43, 47
750.4001S	23, 27, 31, 35, 39, 43, 47
750.4501S	19, 23, 27, 31, 35, 39, 43, 47
750.5001S	19, 23, 27, 31, 35, 39, 43, 47
750.5501S	19, 23, 27, 31, 35, 39, 43, 47, 53
753.4501S	23, 27, 31, 35, 39, 43, 47
753.5001S	23, 27, 31, 35, 39, 43, 47
753.5501S	23, 27, 31, 35, 39, 43, 47, 53
753.6001S	23, 31, 39, 47
753.6501S	23, 31, 35, 39, 47
770C2702I	31, 47
770C2702S	31, 47
770C27S0I	16
770C27S0S	12, 14
770C3502I	31, 47
770C3502S	31, 47
770C35S0I	16
770C35S0S	12, 14
770C4002I	31, 47
770C4002S	31, 47
770C40S0I	17
770C40S0S	13, 15
770C4502I	31, 47
770C4502S	31, 47
770C45S0I	17
770C45S0S	13, 15

Part No.	Page No.
770C5002I	31, 47
770C5002S	31, 47
770C50S0I	17
770C50S0S	13, 15
770C5502I	31, 47, 53
770C5502S	31, 47, 53
770C55S0I	17
770C55S0S	13, 15
770C6002I	31, 47
770C6002S	31, 47
770C6502I	31, 47
770C6502S	31, 47
770F4002I	35
770F4002S	35
770F40S0I	17
770F40S0S	13, 15
770F4502I	35
770F4502S	35
770F45S0I	17
770F45S0S	13, 15
770F5002I	35
770F5002S	35
770F50S0I	17
770F50S0S	13, 15
770F5502I	35
770F5502S	35
770F55S0I	17
770F55S0S	13, 15
770F6502I	35
770F6502S	35
770K3502I	27, 43
770K3502S	27, 43
770K35S0I	16
770K35S0S	12, 14
770K4002I	27, 43
770K4002S	27, 43
770K40S0I	16
770K40S0S	12, 14
770K4502I	27, 43
770K4502S	27, 43
770K45S0I	16
770K45S0S	12, 14
770K5002I	27, 43
770K5002S	27, 43

Part No.	Page No.
770K50S0I	16
770K50S0S	12, 14
770K5502I	27, 43, 53
770K5502S	27, 43, 53
770K55S0I	16
770K55S0S	12, 14
770M2702I	23, 39
770M2702S	23, 39
770M27S0I	16
770M27S0S	12, 14
770M3502I	23, 39
770M3502S	23, 39
770M35S0I	16
770M35S0S	12, 14
770M4002I	23, 39
770M4002S	23, 39
770M40S0I	16
770M40S0S	12, 14
770M4502I	23, 39, 53
770M4502S	23, 39, 53
770M45S0I	16
770M45S0S	12, 14
770M5002I	23, 39
770M5002S	23, 39
770M50S0I	16
770M50S0S	12, 14
770M5502I	23, 39, 53
770M5502S	23, 39, 53
770M55S0I	16
770M55S0S	12, 14
770M6002I	23, 39
770M6002S	23, 39
770M6502I	23, 39
770M6502S	23, 39
770N4502I	19
770N4502S	19
770N45S0I	16
770N45S0S	12, 14
770N5002I	19
770N5002S	19
770N50S0I	16
770N50S0S	12, 14
770N5502I	19
770N5502S	19
770N55S0I	16
770N55S0S	12, 14
773C45S0I	17

Part No.	Page No.
773C45S0S	13, 15
773C50S0I	17
773C50S0S	13, 15
773C55S0I	17
773C55S0S	13, 15
773C60S0I	17
773C60S0S	13, 15
773C65S0I	17
773C65S0S	13, 15
773F45S0I	17
773F45S0S	13, 15
773F50S0I	17
773F50S0S	13, 15
773F55S0I	17
773F55S0S	13, 15
773F65S0I	17
773F65S0S	13, 15
773K45S0I	17
773K45S0S	13, 15
773K50S0I	17
773K50S0S	13, 15
773K55S0I	17
773K55S0S	13, 15
773M45S0I	17
773M45S0S	13, 15
773M50S0I	17
773M50S0S	13, 15
773M55S0I	17
773M55S0S	13, 15
773M60S0I	17
773M60S0S	13, 15
773M65S0I	17
773M65S0S	13, 15
BIT HOLDER	72
DB-10mm	65
DB-2.5mm	62, 63
DB-5mm	65
M01.ZB05.D2	72
M01.ZB05.D3	72
M01.ZB10.02	72
M01.ZB10.03	72
M2V.2E00	66
M30.1329	67
M35.7200.NA	65
M52.1056*US	66
M53.1004*US	66
M53.1053*50	66

Part No.	Page No.
M53.1053*US	66
MZD.2000	66
MZD.2V00	66
MZD.5000	66
MZK.190S	67
MZK.880S	67
POZI BIT #2X1	72
POZI BIT #2X2	72
POZI DRIVER	72
SHORT TORX DRIVER	72
T59.3570	73
T60.000D	59
T60.300D.22	59
T60L1118W	59
T60L7140	59
T60L7340	59
T60L7540	59
T60L7570	59
TORX DRIVER	72
VPB-5	72
Z96.10E1	69
ZA7.0700	73
ZA7.0709	73
ZA7.5700	73
ZA7.5709	73
ZA7.5710	73
ZA7.5719	73
ZB7C000S	31, 47, 53
ZB7F000S	35
ZB7K000S	27, 43, 53
ZB7M000S	23, 39, 53
ZB7N000S	19
ZC7A0P0C	76
ZC7F400RSP	76
ZC7G0P0I	75
ZC7M0200	75
ZC7S500BS3	75
ZC7S500RS1	75
ZC7S500RS2	75
ZC7S550BS3	75
ZC7S550RS1	75
ZC7S550RS2	75
ZC7T0350	75
ZC7U10E0	76
ZC7U10F0	76
ZF7C7002	31, 55, 53

Part No.	Page No.
ZF7C70E2	31, 35, 53
ZF7K7002	27, 53
ZF7K70E2	27, 53
ZF7M7002	23, 31, 35, 53
ZF7M70E2	23, 31, 35, 53
ZF7N7002	19
ZF7N70E2	19
ZI7.0KI0	43
ZI7.0KS0	43
ZI7.0MI0	39
ZI7.0MS0	39
ZI7.3CI0	47
ZI7.3CS0	47
ZML.0040.01	65
ZML.3710	65
ZML.7000	65
ZMM.0700	64
ZMM.0700.20	64
ZMM.2750.01	64
ZR7.1080U	47, 76
ZRM.5500	68
ZRM.5500.US	68
ZRM.550G	68
ZS7M400LU	69
ZS7M650LU	69
ZSB.0090.01	69
ZV7.1043C01	39, 43, 47





Why Choose Blum



The Blum name stands for quality, innovation and great customer service. We manufacture hardware that makes working in the kitchen easier, no matter the age of the user, and we do this globally. We've been in the United States for more than 40 years, and we are committed to manufacturing for the American market. Blum supports the United States market with a network of distributors, knowledgeable Blum sales representatives and an experienced customer service department. Each of our products has been designed carefully, with the customer experience in mind. We have a deep commitment to research and believe anyone who manufactures, sells, installs or uses our products should benefit from our knowledge and experience. We specialize in engineering and manufacturing concealed hinges, drawer systems and systems for lift-up doors. From our touch-to-open technology, to the soft-closing door or drawer, our hardware helps modernize the kitchen experience.



To learn more about Blum, visit blum.com/tour



Blum, Inc. is ISO 9001 certified which means that you are assured of consistent quality in every Blum product. They exceed the requirements of ANSI/BHMA standards for cycle life, static load and self-closing performance.

Please visit blum.com for information on other Blum products
LIT-LBX1000.01.22 Ident. 26323570 © 2022 Blum, Inc.

Blum, Inc.
7733 Old Plank Rd.
Stanley, NC 28164
800-438-6788
blum.com

FSC Logo



ISO 9001
Certified Quality
System

 **blum**®