

Locking Devices

Standard

One right and one left required per drawer



- Captive right device and self-aligning left device
- Self-adjusting drawer length tolerance
- Steel base with synthetic, spring-loaded release levers
- Minimum inside drawer width **170** (6-11/16")
- Side-to-side adjustment  $\pm 1.5$  (1/16")

Part no.

Right locking device	<b>T51.7601 R</b>
Left locking device	<b>T51.7601 L</b>
Installation screw	<b>606N or 606P</b>

Vertical mount

One right and one left required per drawer



- Vertical mount locking device used to minimize sub-front splitting
- Captive right device and self-aligning left device
- Self-adjusting drawer length tolerance
- Steel base with synthetic, spring-loaded release levers
- Minimum inside drawer width **170** (6-11/16")
- Side-to-side adjustment  $\pm 1.5$  (1/16")
- Minimum sub-front thickness **16** (5/8")
- Designed for **13** (1/2") drawer bottom recess

Part no.

Right locking device	<b>T51.7601.20 R</b>
Left locking device	<b>T51.7601.20 L</b>
Installation screw	<b>606N or 606P</b>

Narrow drawer

One right and one left required per drawer



- For use with narrow drawers
- Maximum dynamic load capacity 25 lb
- Captive right device and self-aligning left device
- Self-adjusting drawer length tolerance
- Vertical mount, two-piece nylon
- Minimum inside drawer width **95** (3-3/4") without TIP-ON BLUMOTION
- Minimum sub-front thickness **16** (5/8")
- Designed for **13** (1/2") drawer bottom recess

Part no.

Right locking device	<b>T51.0501.20 R</b>
Left locking device	<b>T51.0501.20 L</b>
Installation screw	<b>606N or 606P</b>

Locking device spacer for thin fronts

- Works with MOVENTO locking devices
- **12** (15/32") and **13** (1/2") sub-fronts only



Part no.

**T59.K010M**

Installation screw

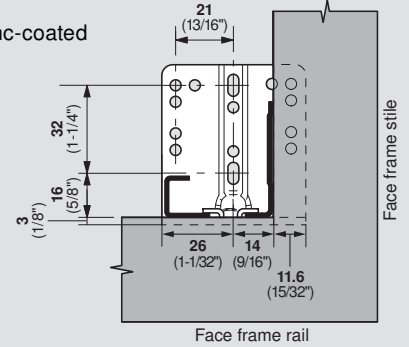
**6064N**

**Screw-on bracket**

Two required per drawer



- For MOVENTO 763H series runners
- Lateral self-alignment **3** (1/8")
- Non-handed, one-piece stamped steel design, zinc-coated
- Use at least three #6 wood screws
- Not for use with TIP-ON BLUMOTION



Part no.

Screw-on bracket

**295.3750.02**

**NOTE:** Illustration is for 763H series

Installation screw

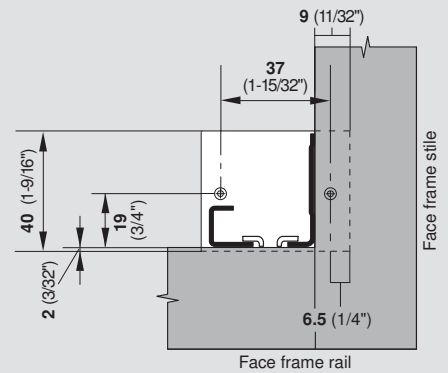
**606N or 606P**

**Screw-on socket**

Two required per drawer



- For MOVENTO 763H series runners
- Lateral self-alignment
- Non-handed, two-piece design
- Synthetic, natural color
- Use two #6 flat head wood screws
- Not for use with TIP-ON BLUMOTION



Part no.

Screw-on socket

**295.6400**

Installation screw

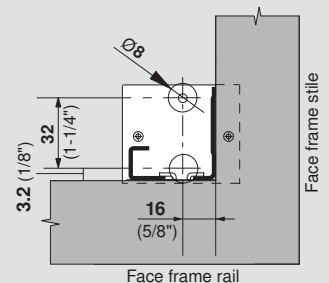
**606N or 606P**

**Plug-in socket**

Two required per drawer



- For MOVENTO 763H series runners
- Lateral self-alignment feature
- Non-handed, two-piece design
- Synthetic, natural color
- Non-detachable **8** (5/16") dowels, **9.5** (3/8") long
- **6** (1/4") minimum back panel thickness
- Use two #6 flat head wood screws
- Not for use with TIP-ON BLUMOTION



Part no.

Plug-in socket

**295.6410**

Installation screw

**606N or 606P**