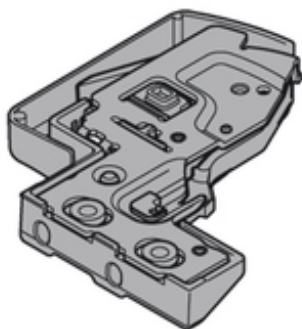


Product details

MOVENTO 763/769 locking device for vertical mount application, side adjustment, right



Part number	T51.7601.20
Item number	01676031
Color / finish	Orange
Packaging quantity	100
Weight per 1,000 Pcs in kg	59.99
EAN code	9009494197761
UPC code	

Technical attributes

Attribute	Value
type of locking device	locking device
locking device version	with fixing bracket, attached
catch area	0 mm to 4 mm
material	nylon / Zinc
color / finish	Orange
version	multipart
locking device mounting	with screws
item package	right
packaging	industrial packing
locking device mounting location	Locking device mounting location 03