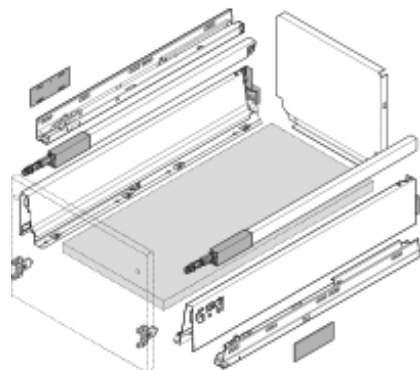


Product details

TANDEMBOX antaro BLUMOTION, deep drawer, height D (224 mm), Steel back (IW=304.5-305.4 mm), 65 kg, NL=550 mm, longside gallery rail



Part number	376M55B7SAB
Item number	26264112
Color / finish	Silk white
Packaging quantity	1
Weight per 1 Pcs in kg	12.371
EAN code	
UPC code	75797613152

Technical attributes

Attribute	Value
type of runner system	TANDEMBOX cabinet profile
nominal length	550
Height of Drawer Side	M (83 mm)
dynamic load capacity	65
drawer runner version	special shank height
connection runner system with box or drawer	to clip-on
runner system	TANDEM roller carriage
Drawer type	full ext.
Material	Steel
cabinet profile width	26.6
cabinet profile mounting	with screws
type of BOX	TANDEMBOX drawer profile
design	A
Drawer system program line	intivo / antaro
Motion technology	BLUMOTION
material	Steel
drawer connection to front	ZSF-front fixing bracket clip-on with crash damping
drawer connection to back	Clip-on (steel back or wooden rear fixing bracket)
install. dim. drawer side (inn. cabinet to outer base edge)	37.5
mounting of base to drawer side	prong connection or screw-on
finish of drawer side	Silk white
base thickness	16
rear fixing bracket finish	RAL 7037 dust gray
additional features	Easy height adjustment via cam
type of front attachment	Front fixing bracket
connecting front fixing bracket to front	Screw-on
type of back/back attachment	Steel back
for gallery attachment	Yes
height	183
type of wooden part	melamine faced wood
state of processing	Grooved

Product details

Attribute	Value
type of screw	Wood screw
minimum internal cabinet depth	553
over extension	0
packaging	Commercial packing
item package	Set