



# METABOX

The Versatile Metal Drawer System

[blum.com](http://blum.com)

 **blum**<sup>®</sup>

# Endless Possibilities

With METABOX, Blum offers an economical steel drawer for different application options in the kitchen, bathroom and office.

*blum*







## Contents

### METABOX

- 4 METABOX drawer system
- 5 Testing standards
- 6 General specifications
- 8 320N drawer series
- 10 320M drawer series
- 12 320K drawer series
- 14 320H drawer series
- 16 Gallery rail
- 19 Interior roll-out application
- 22 BLUMOTION for METABOX
- 24 File drawer application
- 27 Assembly aids
- 33 Accessories
- 36 Drawer front overlay charts
- 39 Part Number Index

## Virtually unlimited storage solutions

The METABOX drawer program has a wide range of heights, lengths and optional accessories available. Within this comprehensive system, everything stored is easy to access and even small or bulky items are handled with ease.

METABOX's design complements the style of frameless cabinetry that has gained popularity because of its effective use of cabinet interior space. Since it is fully compatible with the 32 mm cabinet construction system, the METABOX program makes installation quick and precise.

METABOX is a great solution for kitchens, baths, office, healthcare and commercial applications.



### Features & benefits

- Application possibilities
- Contemporary design
- Three-dimensional front adjustment
- Easy cam height adjustment
- Simple insertion and removal
- With BLUMATIC self-closing feature
- BLUMOTION soft closing option available

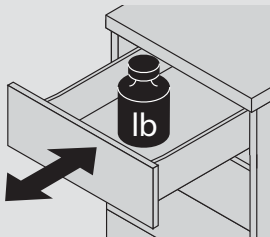


**Testing standards**

Blum, Inc. is ISO 9001 certified which means that you are assured of consistent quality in every Blum product. All Blum runners must pass these tests without showing a measurable reduction in performance or deviation in adjustment position. Testing standards vary between products and applications.

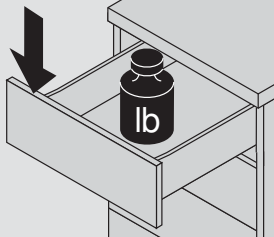
All Blum runners meet or exceed ANSI/BHMA 156.9 grade 1 requirements. Contact your local Blum representative for more details.

**Dynamic wear test**



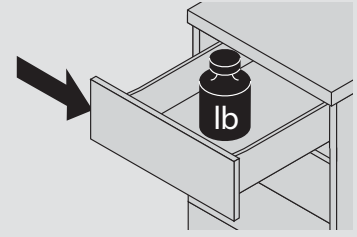
100,000 open/close cycles with a total load of 75 lb on a 550 mm drawer.

**Static load test**



10 times for 10 seconds each time when completely extended, 66 lb is applied to the corner of the drawer front of a fully loaded drawer.

**Side pressure test**



10 times for 10 seconds each time when completely extended, 33 lb is applied to the side of the drawer front of a fully loaded drawer.



**General information**

All Blum hardware undergoes strict quality control procedures through all stages of production. Blum hardware is designed for cabinets and cabinet components made from wood, melamine or MDF. Careful attention must be paid to installation and operating instructions when using Blum hardware (see catalogs and instruction sheets for all technical information). The manufacturer must decide on the screws or attachment methods to suit the material being used (i.e. wood, melamine, etc.). The hardware must not be exposed to acidic or corrosive materials (i.e. some household cleaning solutions). To ensure that Blum hardware functions correctly, it must be kept clean and undamaged. For any additional information please contact your Blum representative. Anyone selling Blum hardware must ensure that their customer is aware of any relevant information given in this catalog.

**Conditions of sale and delivery**

All deliveries and services are based on the “general conditions of sale” which are available upon request. The technical presentations and dimensions in illustrations are non-binding. We reserve the right to make changes to specifications at any time. We do not accept any responsibility for any errors which may occur in the production of this catalog.

**Cabinet types and capacity**

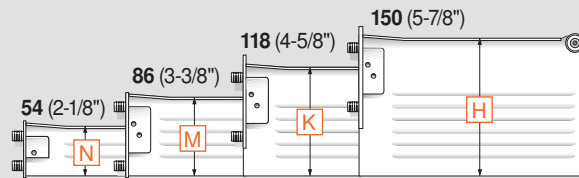
The METABOX drawer system can be installed in either frameless or face frame constructed cabinets with optional rear mounting sockets.

METABOX drawers have a static load capacity of 100 lb and a dynamic capacity of 75 lb and are tested to perform 100,000 open/close cycles without failure.

METABOX drawers install in all cabinets

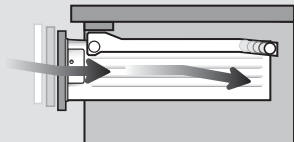


**Available heights**

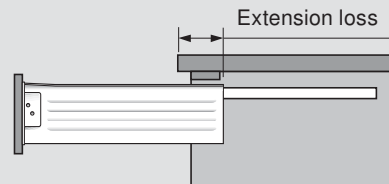


METABOX is available in white in four drawer heights, offering a multitude of design options.

**Opening and closing information**



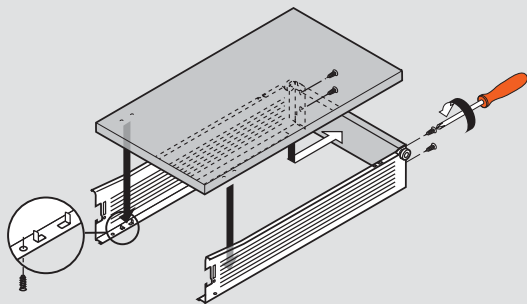
BLUMATIC self-closing action results from the angled drawer and cabinet profiles.



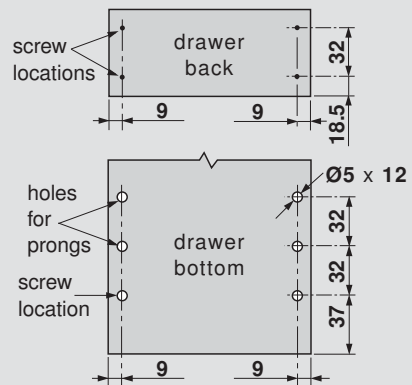
320 series 3/4 extension drawers have an extension loss when fully opened.

**Drawer back and bottom preparation**

METABOX "C15" version



METABOX "C15" drawers can be assembled with the aid of the Universal boring template (page 29).

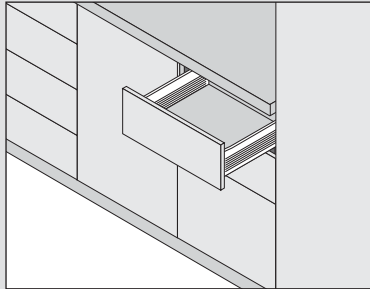


Boring for C15 drawer back and bottom (for 13 (1/2") material, holes are 10 (3/8") deep)

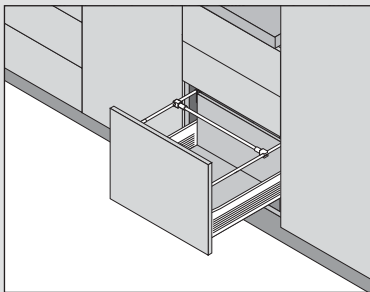


Drawer configurations

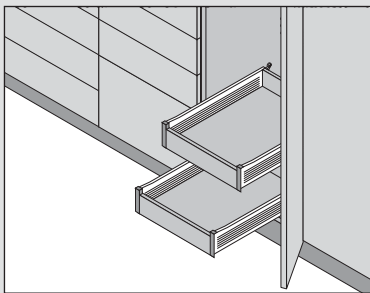
Standard drawer



Standard drawer with gallery organization

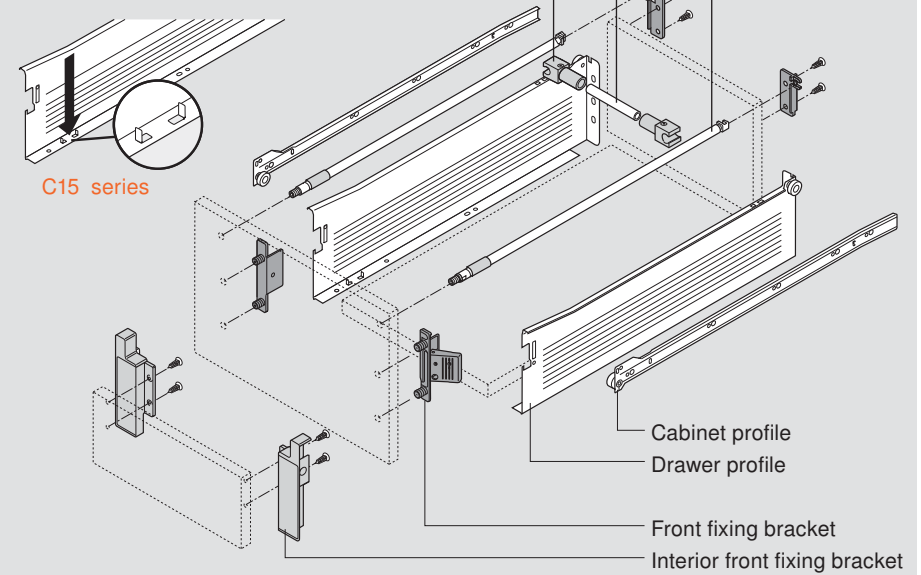


Interior roll-out trays

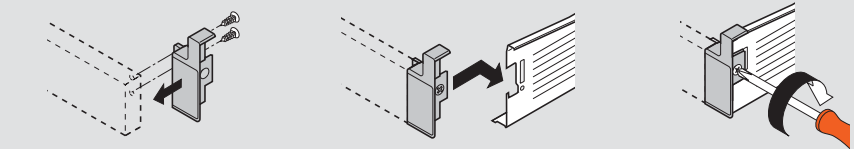


Components and accessories

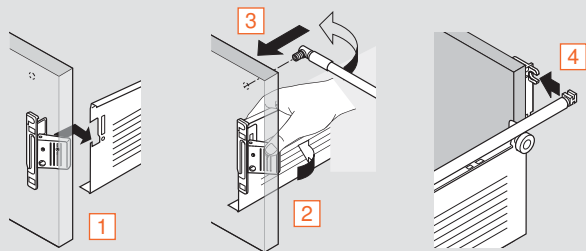
- Adjustable gallery rails
- Rear gallery bracket
- Gallery cross rail
- Single gallery connector



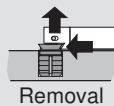
Interior drawer front assembly



Drawer front assembly

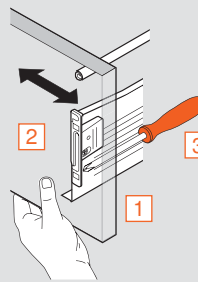


- 1 Insert front bracket
- 2 Snap closed
- 3 Insert gallery
- 4 Snap gallery back



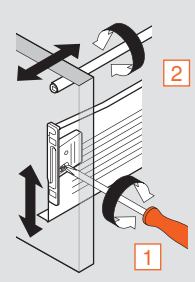
Drawer front adjustment

Side adjustment



- 1 Loosen fixing screws
- 2 Adjust front
- 3 Tighten screws

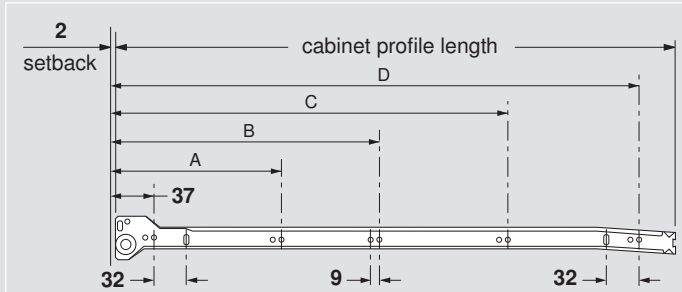
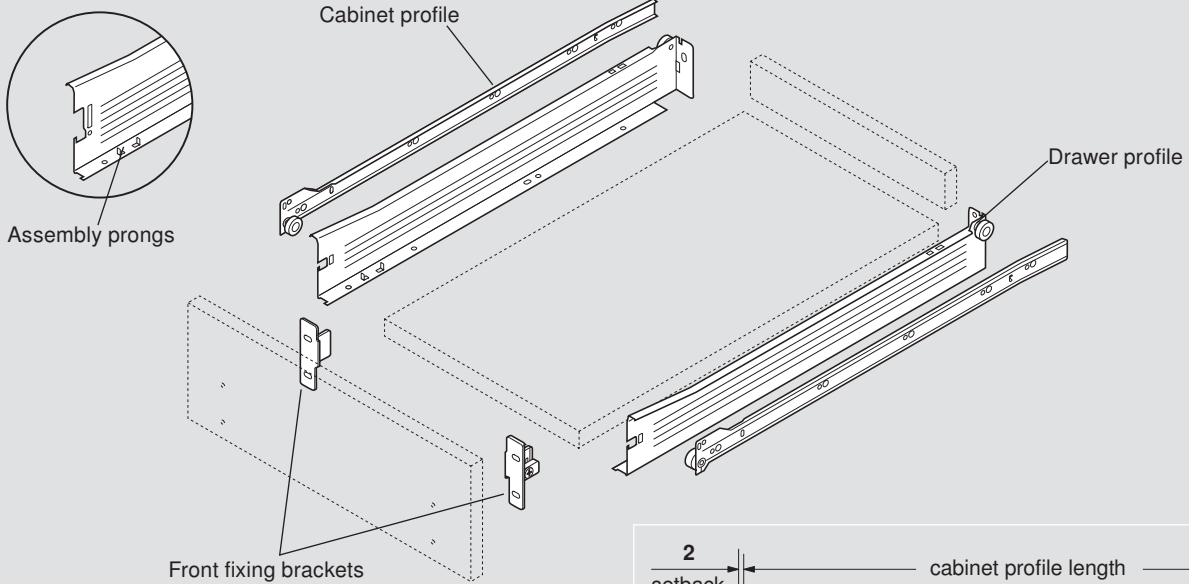
Height and tilt adjustment



- 1 Adjust height cam
- 2 Turn rail to adjust tilt

Components

C15 series

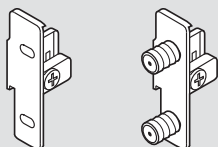


**NOTE:** Add-on BLUMOTION see page 22

Runner sets (includes cabinet and drawer profiles)

C15 series white	Nominal Length	Min. inside cabinet depth	Nominal length	System screw mounting hole positions			
				A	B	C	D
<b>320N5500C15</b>	22"	<b>557</b> (21-7/8")	<b>550</b> (21-5/8")	<b>165</b>	<b>261</b>	<b>389</b>	<b>517</b>
<b>320N5000C15</b>	20"	<b>507</b> (19-15/16")	<b>500</b> (19-11/16")	<b>165</b>	<b>261</b>	<b>389</b>	<b>453</b>
<b>320N4500C15</b>	18"	<b>457</b> (17-15/16")	<b>450</b> (17-11/16")	<b>165</b>	<b>261</b>	<b>389</b>	—
<b>320N4000C15</b>	16"	<b>407</b> (16")	<b>400</b> (15-3/4")	<b>165</b>	<b>261</b>	<b>357</b>	—
<b>320N3500C15</b>	14"	<b>357</b> (14")	<b>350</b> (13-3/4")	<b>165</b>	<b>261</b>	<b>325</b>	—

Standard front fixing bracket

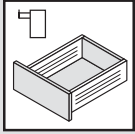


Nickel-plated steel

Part no.

Screw-on	Right	<b>ZSF.1510.04</b>
	Left	<b>ZSF.1510.05</b>
Press-in	Right	<b>ZSF.1610.04</b>
	Left	<b>ZSF.1610.05</b>



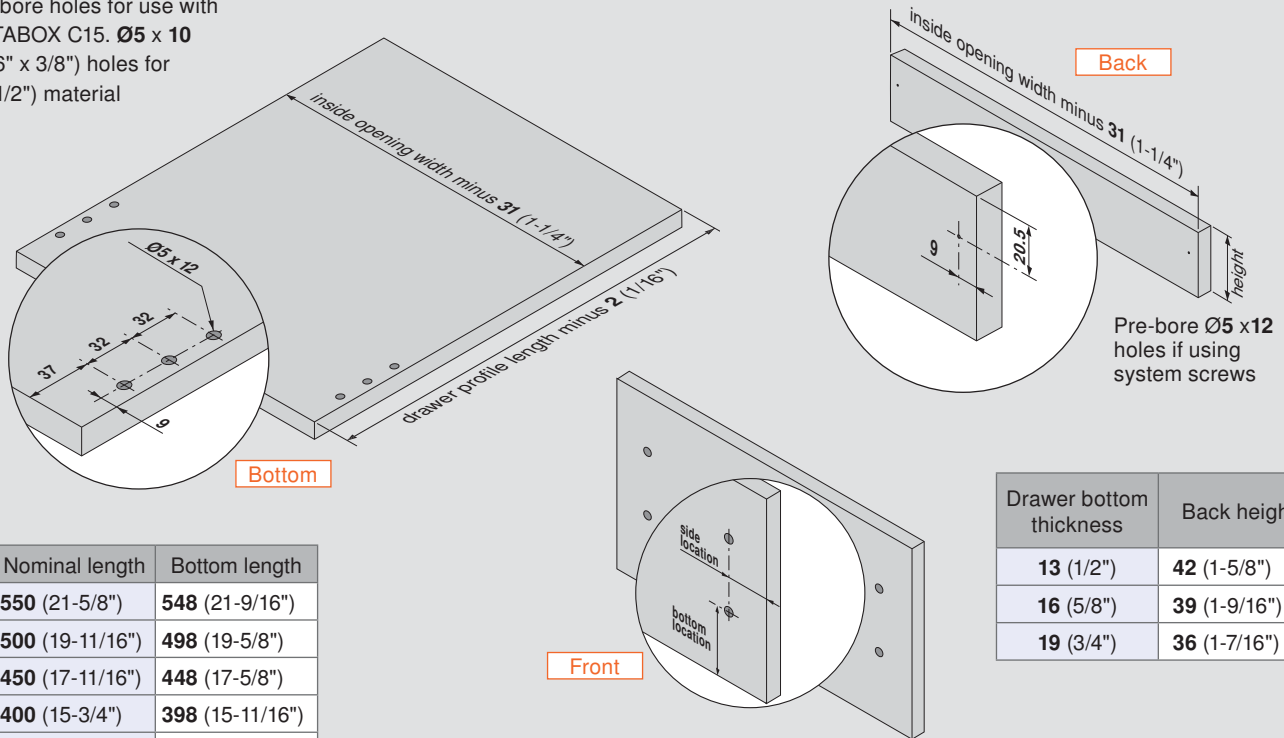


## 320N Drawer Series

## METABOX

### Specifications

Pre-bore holes for use with  
METABOX C15.  $\text{Ø}5 \times 10$   
(3/16" x 3/8") holes for  
13 (1/2") material

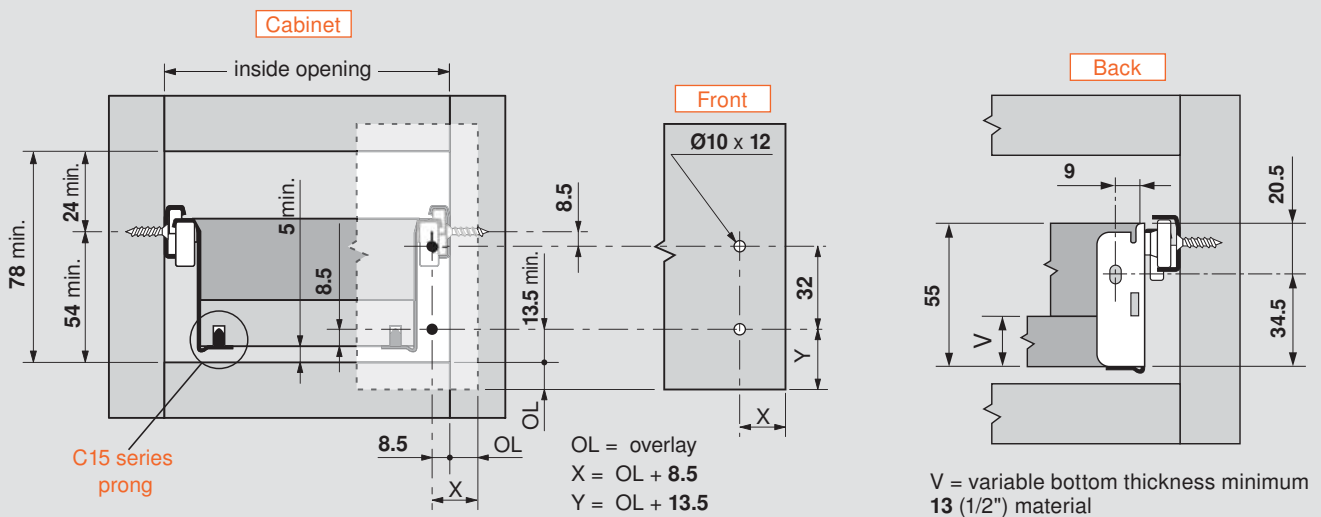


Nominal length	Bottom length
550 (21-5/8")	548 (21-9/16")
500 (19-11/16")	498 (19-5/8")
450 (17-11/16")	448 (17-5/8")
400 (15-3/4")	398 (15-11/16")
350 (13-3/4")	348 (13-11/16")
270 (10-5/8")	268 (10-9/16")

Drawer bottom thickness	Back height
13 (1/2")	42 (1-5/8")
16 (5/8")	39 (1-9/16")
19 (3/4")	36 (1-7/16")

Bore  $\text{Ø}10 \times 12$  ( $\text{Ø}3/8" \times 1/2"$ ) hole for front fixing brackets with dowels  
(Determine locations from specifications below, or see page 42 for pre-determined overlays)

### Installation specifications



Rear bracket for frame cabinet applications

page 35

For gallery rail specifications

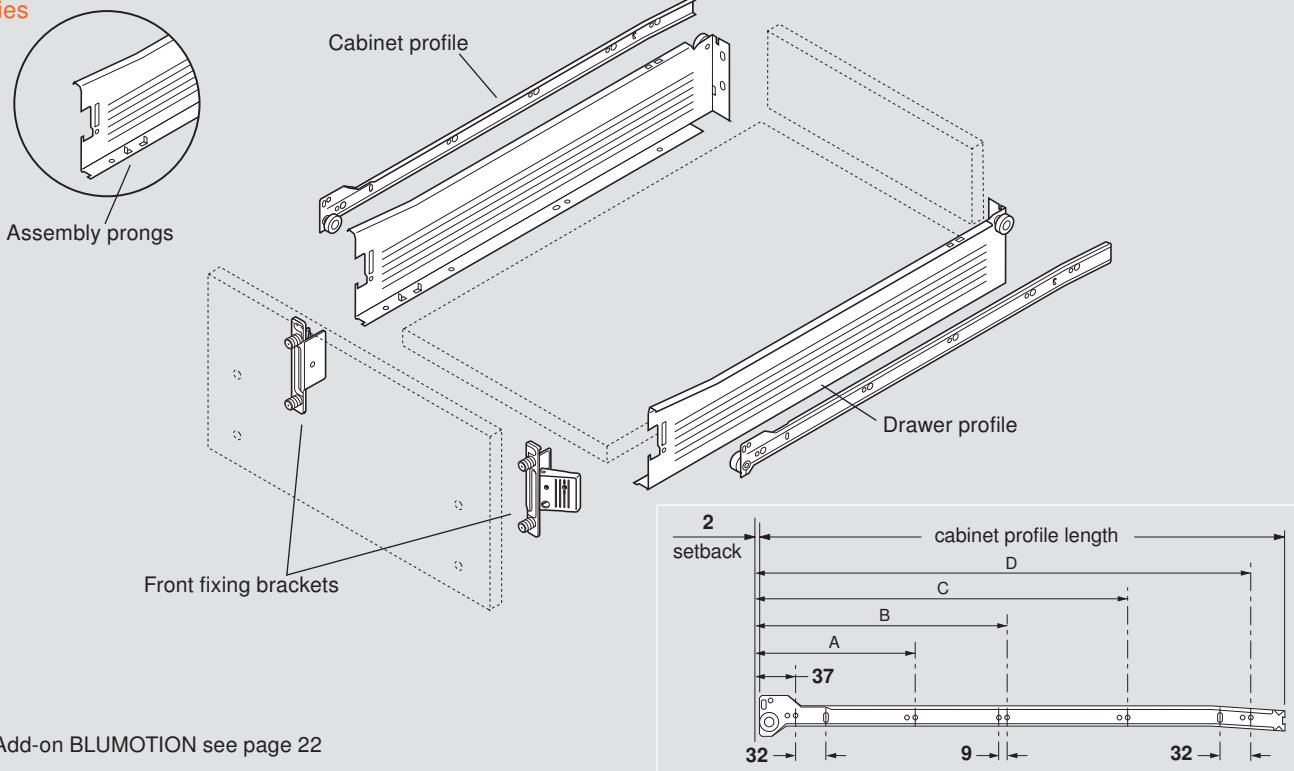
page 16

For interior drawer specifications

page 19

Components

C15 series



**NOTE:** Add-on BLUMOTION see page 22

Runner sets (includes cabinet and drawer profiles)

C15 series white	Nominal Length	Min. inside cabinet depth	Nominal length	System screw mounting hole positions			
				A	B	C	D
320M5500C15	22"	557 (21-7/8")	550 (21-5/8")	165	261	389	517
320M5000C15	20"	507 (19-15/16")	500 (19-11/16")	165	261	389	453
320M4500C15	18"	457 (17-15/16")	450 (17-11/16")	165	261	389	—
320M4000C15	16"	407 (16")	400 (15-3/4")	165	261	357	—
320M3500C15	14"	357 (14")	350 (13-3/4")	165	261	325	—
320M2700C15	11"	277 (10-7/8")	270 (10-5/8")	229	—	—	—

Standard front fixing bracket

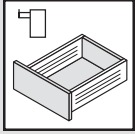
	Nickel-plated steel		Part no.
		Right	
		Left	ZSF.1700 L
		Right	ZSF.1800 R
		Left	ZSF.1800 L

CLIP front fixing bracket

	Nickel-plated steel		Right	ZSF.1200 R
			Left	ZSF.1200 L
			Right	ZSF.1300 R
			Left	ZSF.1300 L
		EXPANDO	Right	ZSF.130E R
			Left	ZSF.130E L

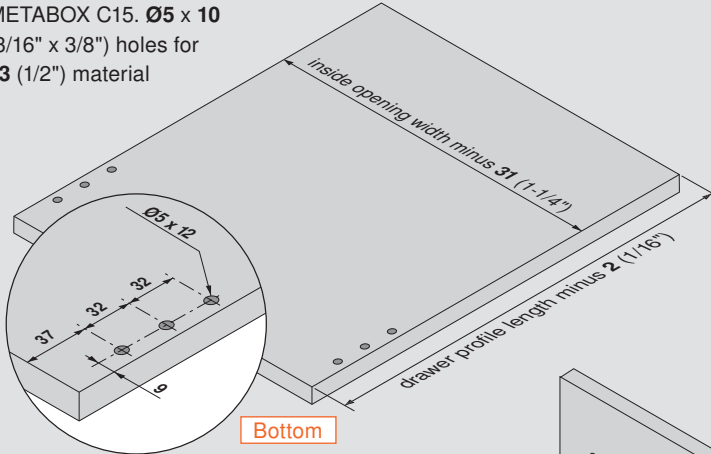
Standard cover cap

Nylon white		<b>NOTE:</b> Blum logo cover caps available
		ZAA.3500

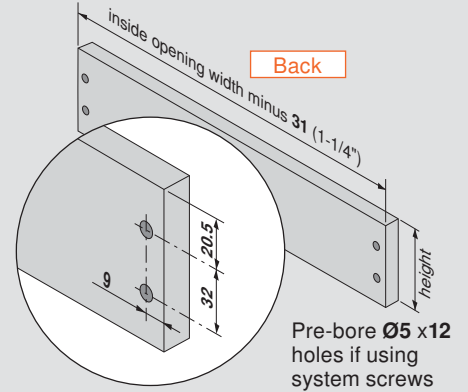


Specifications

Pre-bore holes for use with METABOX C15.  $\varnothing 5 \times 10$  (3/16" x 3/8") holes for 13 (1/2") material

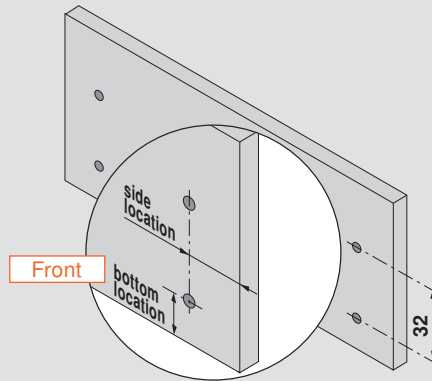


Bottom



Pre-bore  $\varnothing 5 \times 12$  holes if using system screws

Nominal length	Bottom length
550 (21-5/8")	548 (21-9/16")
500 (19-11/16")	498 (19-5/8")
450 (17-11/16")	448 (17-5/8")
400 (15-3/4")	398 (15-11/16")
350 (13-3/4")	348 (13-11/16")
270 (10-5/8")	268 (10-9/16")

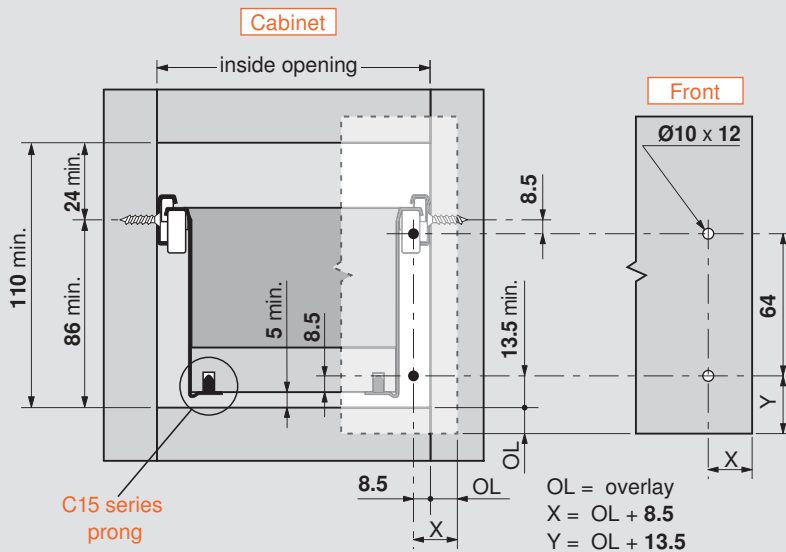


Front

Material thickness	Back height
13 (1/2")	74 (2-15/16")
16 (5/8")	71 (2-13/16")
19 (3/4")	68 (2-11/16")

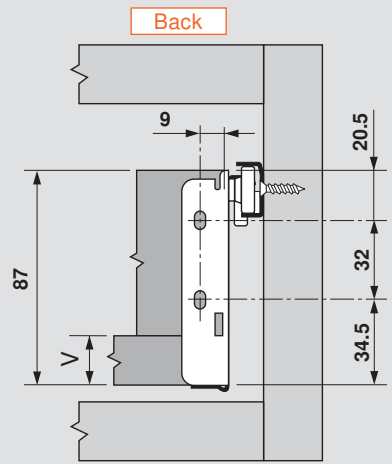
Bore  $\varnothing 10 \times 12$  ( $\varnothing 3/8" \times 1/2"$ ) hole for front fixing brackets with dowels (Determine locations from specifications below, or see page 42 for pre-determined overlays)

Installation specifications



C15 series prong

OL = overlay  
 $X = OL + 8.5$   
 $Y = OL + 13.5$



V = variable bottom thickness minimum

Rear bracket for frame cabinet applications

page 35

For gallery rail specifications

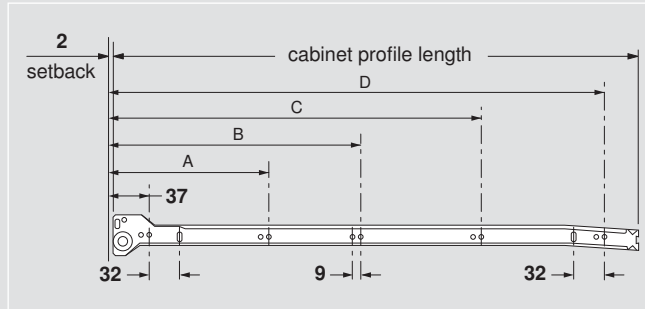
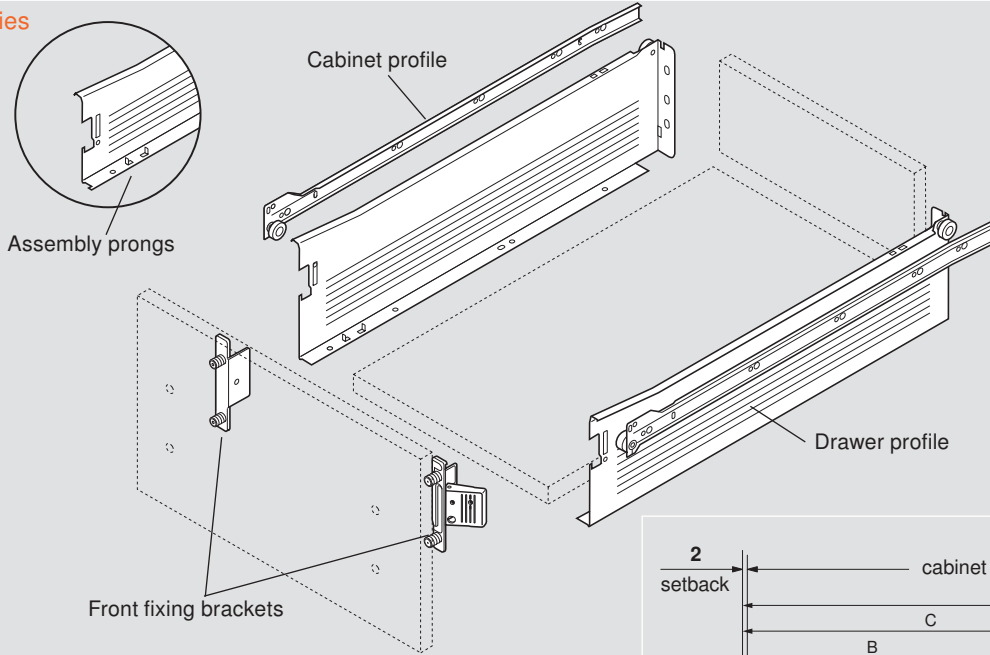
page 16

For interior drawer specifications

page 20

Components

C15 series



**NOTE:** Add-on BLUMOTION see page 22

Runner sets (includes cabinet and drawer profiles)

C15 series white	Nominal Length	Min. inside cabinet depth	Nominal length	System screw mounting hole positions			
				A	B	C	D
<b>320K5500C15</b>	22"	<b>557</b> (21-7/8")	<b>550</b> (21-5/8")	<b>165</b>	<b>261</b>	<b>389</b>	<b>517</b>
<b>320K5000C15</b>	20"	<b>507</b> (19-15/16")	<b>500</b> (19-11/16")	<b>165</b>	<b>261</b>	<b>389</b>	<b>453</b>
<b>320K4500C15</b>	18"	<b>457</b> (17-15/16")	<b>450</b> (17-11/16")	<b>165</b>	<b>261</b>	<b>389</b>	—
<b>320K4000C15</b>	16"	<b>407</b> (16")	<b>400</b> (15-3/4")	<b>165</b>	<b>261</b>	<b>357</b>	—
<b>320K3500C15</b>	14"	<b>357</b> (14")	<b>350</b> (13-3/4")	<b>165</b>	<b>261</b>	<b>325</b>	—

Standard front fixing bracket

	Nickel-plated steel		Part no.
		Right	
		Left	<b>ZSF.1700 L</b>
		Right	<b>ZSF.1800 R</b>
		Left	<b>ZSF.1800 L</b>

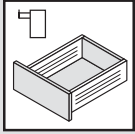
CLIP front fixing bracket

	Nickel-plated steel		Right	<b>ZSF.1200 R</b>
	Screw-on		Left	<b>ZSF.1200 L</b>
			Right	<b>ZSF.1300 R</b>
	Left		<b>ZSF.1300 L</b>	
	EXPANDO	Right	<b>ZSF.130E R</b>	
		Left	<b>ZSF.130E L</b>	

Standard cover cap

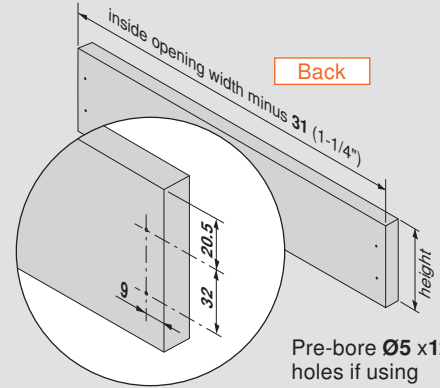
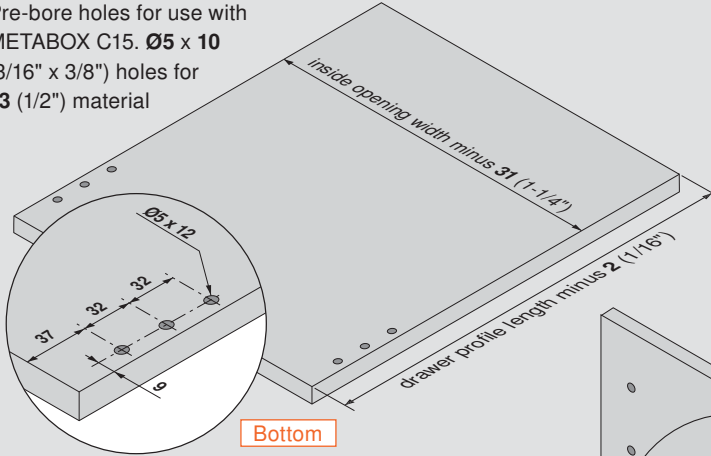
Nylon white		<b>NOTE:</b> Blum logo cover caps available
		<b>ZAA.3500</b>





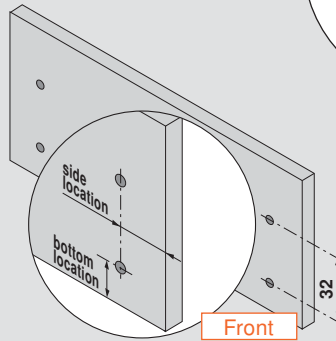
Specifications

Pre-bore holes for use with METABOX C15.  $\text{Ø}5 \times 10$  (3/16" x 3/8") holes for 13 (1/2") material



Pre-bore  $\text{Ø}5 \times 12$  holes if using system screws

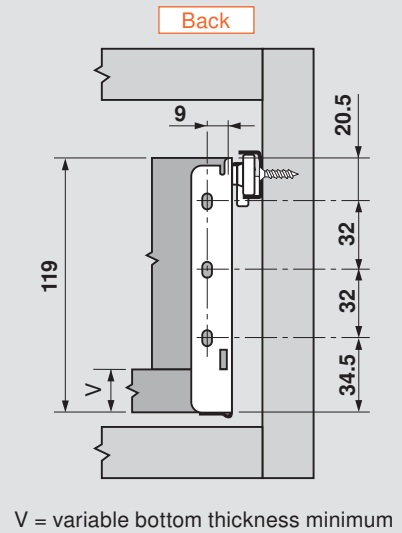
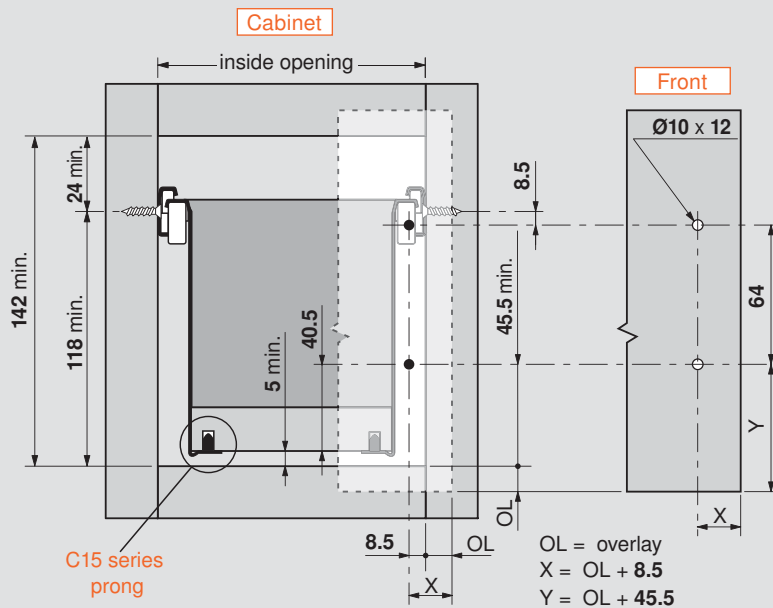
Nominal length	Bottom length
550 (21-5/8")	548 (21-9/16")
500 (19-11/16")	498 (19-5/8")
450 (17-11/16")	448 (17-5/8")
400 (15-3/4")	398 (15-11/16")
350 (13-3/4")	348 (13-11/16")



Material thickness	Back height
13 (1/2")	106 (4-3/16")
16 (5/8")	103 (4-1/16")
19 (3/4")	100 (3-15/16")

Bore  $\text{Ø}10 \times 12$  ( $\text{Ø}3/8" \times 1/2"$ ) hole for front fixing brackets with dowels (Determine locations from specifications below, or see page 42 for pre-determined overlays)

Installation specifications



V = variable bottom thickness minimum

Rear bracket for frame cabinet applications

page 35

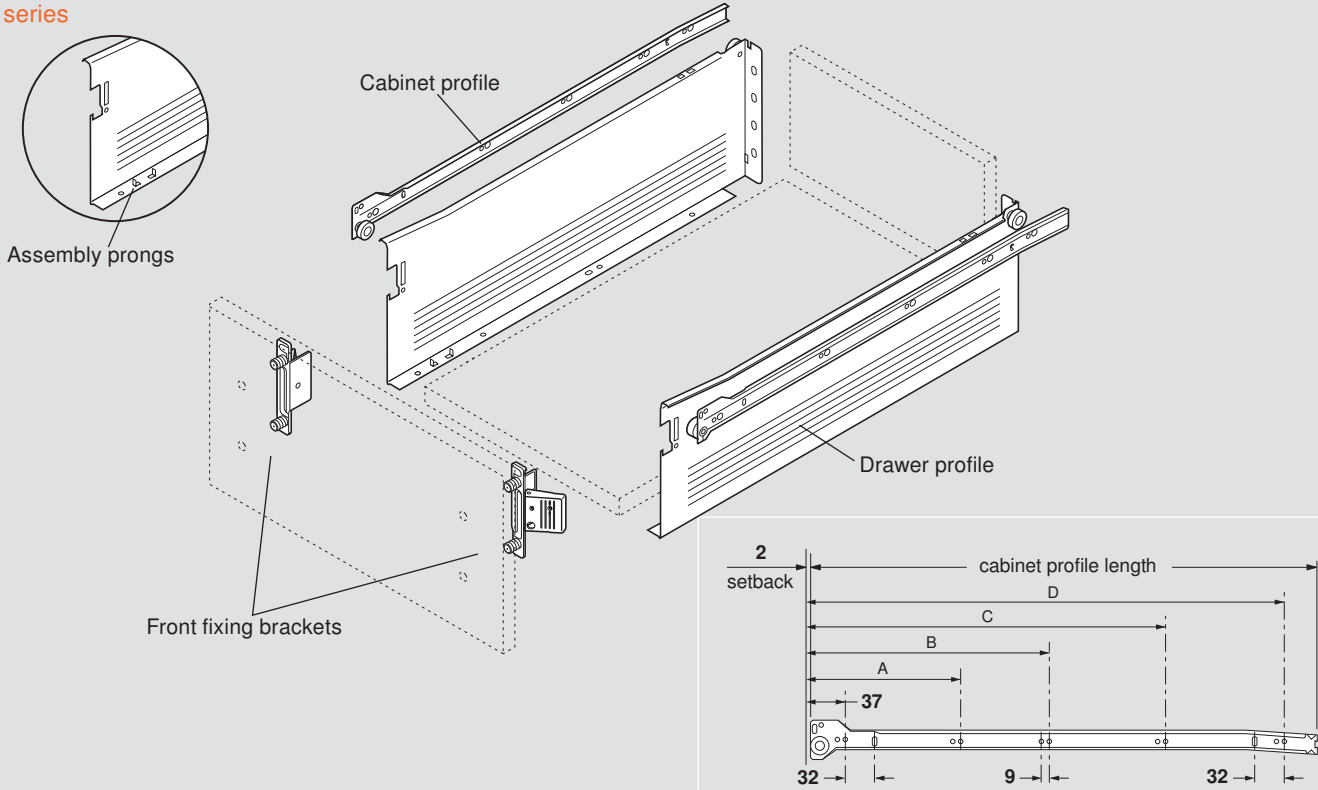
For gallery rail specifications

page 16



Components

C15 series



**NOTE:** Add-on BLUMOTION see page 22

Runner sets (includes cabinet and drawer profiles)

C15 series white	Nominal Length	Min. inside cabinet depth	Nominal length	System screw mounting hole positions			
				A	B	C	D
<b>320H5500C15</b>	22"	<b>557</b> (21-7/8")	<b>550</b> (21-5/8")	<b>165</b>	<b>261</b>	<b>389</b>	<b>517</b>
<b>320H5000C15</b>	20"	<b>507</b> (19-15/16")	<b>500</b> (19-11/16")	<b>165</b>	<b>261</b>	<b>389</b>	<b>453</b>
<b>320H4500C15</b>	18"	<b>457</b> (17-15/16")	<b>450</b> (17-11/16")	<b>165</b>	<b>261</b>	<b>389</b>	—
<b>320H4000C15</b>	16"	<b>407</b> (16")	<b>400</b> (15-3/4")	<b>165</b>	<b>261</b>	<b>357</b>	—
<b>320H3500C15</b>	14"	<b>357</b> (14")	<b>350</b> (13-3/4")	<b>165</b>	<b>261</b>	<b>325</b>	—

Standard front fixing bracket

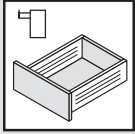
	Nickel-plated steel		Part no.
		Right	
		Left	<b>ZSF.1700 L</b>
		Right	<b>ZSF.1800 R</b>
		Left	<b>ZSF.1800 L</b>

CLIP front fixing bracket

	Nickel-plated steel		Right	<b>ZSF.1200 R</b>
	Screw-on		Left	<b>ZSF.1200 L</b>
			Right	<b>ZSF.1300 R</b>
	Left		<b>ZSF.1300 L</b>	
	EXPANDO	Right	<b>ZSF.130E R</b>	
		Left	<b>ZSF.130E L</b>	

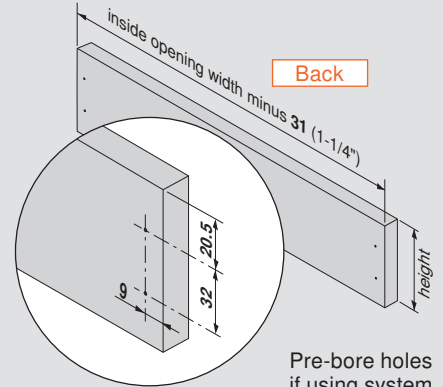
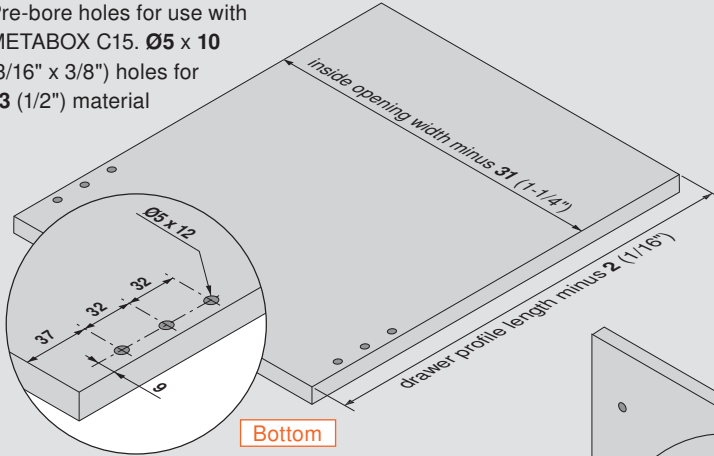
Standard cover cap

Nylon white		<b>NOTE:</b> Blum logo cover caps available
		<b>ZAA.3500</b>



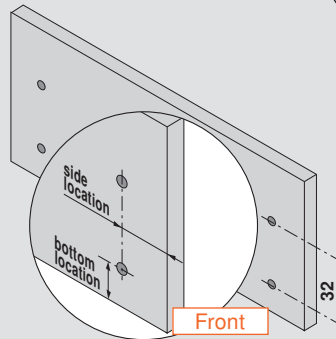
Specifications

Pre-bore holes for use with METABOX C15.  $\text{Ø}5 \times 10$  (3/16" x 3/8") holes for 13 (1/2") material



Pre-bore holes if using system screws

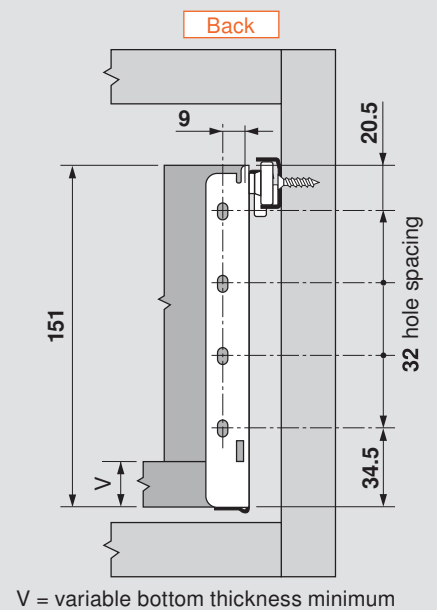
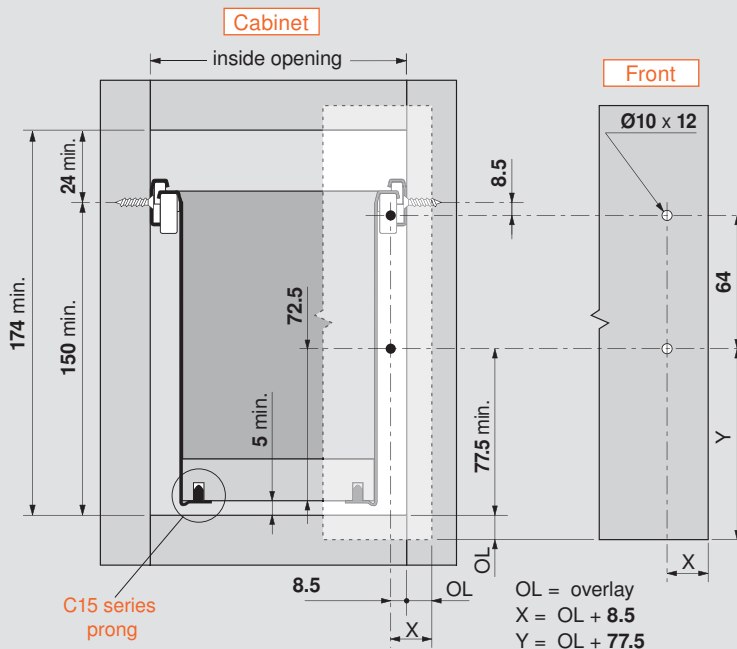
Nominal length	Bottom length
550 (21-5/8")	548 (21-9/16")
500 (19-11/16")	498 (19-5/8")
450 (17-11/16")	448 (17-5/8")
400 (15-3/4")	398 (15-11/16")
350 (13-3/4")	348 (13-11/16")



Material thickness	Back height
13 (1/2")	138 (5-7/16")
16 (5/8")	135 (5-5/16")
19 (3/4")	132 (5-3/16")

Bore  $\text{Ø}10 \times 12$  ( $\text{Ø}3/8" \times 1/2"$ ) hole for front fixing brackets with dowels  
(Determine locations from specifications below, or see page 42 for pre-determined overlays)

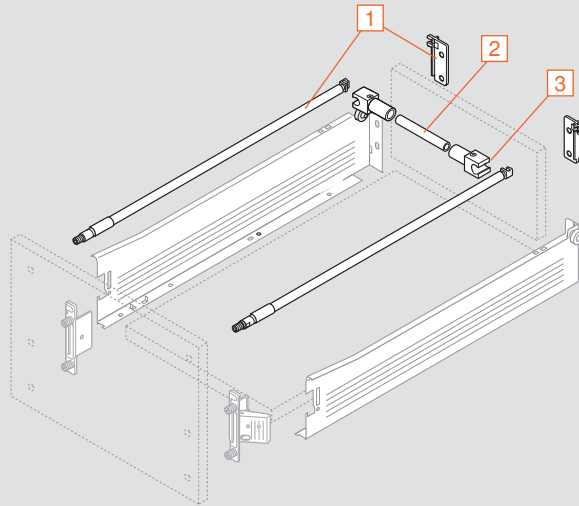
Installation specifications



- Rear bracket for frame cabinet applications
- For gallery rail and BOXSIDE specifications
- For interior drawer specifications

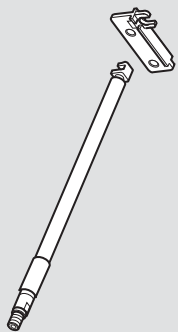
page 35  
page 16  
page 21

Gallery components



INSERTA gallery set

1



Set includes:

- Adjustable rails (qty 2)
- Rear fixing brackets (qty 2)
- Colors: white

Part no.

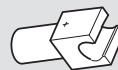
450 (18") drawer length **ZRE.421S.ID**

500 (20") drawer length **ZRE.471S.ID**

550 (22") drawer length **ZRE.521S.ID**

Gallery connector

3



- Two required per gallery cross rail application
- Colors: dust gray

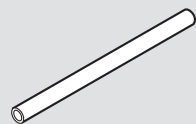
Part no.

Gallery connector

**ZRU.00E0.01**

Gallery cross rail

2

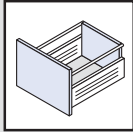


- 1104 (44") long, cut to length
- Colors: white
- Length = inside opening width minus 60 (2-3/8")

Part no.

Gallery cross rail **ZRG.1104U**

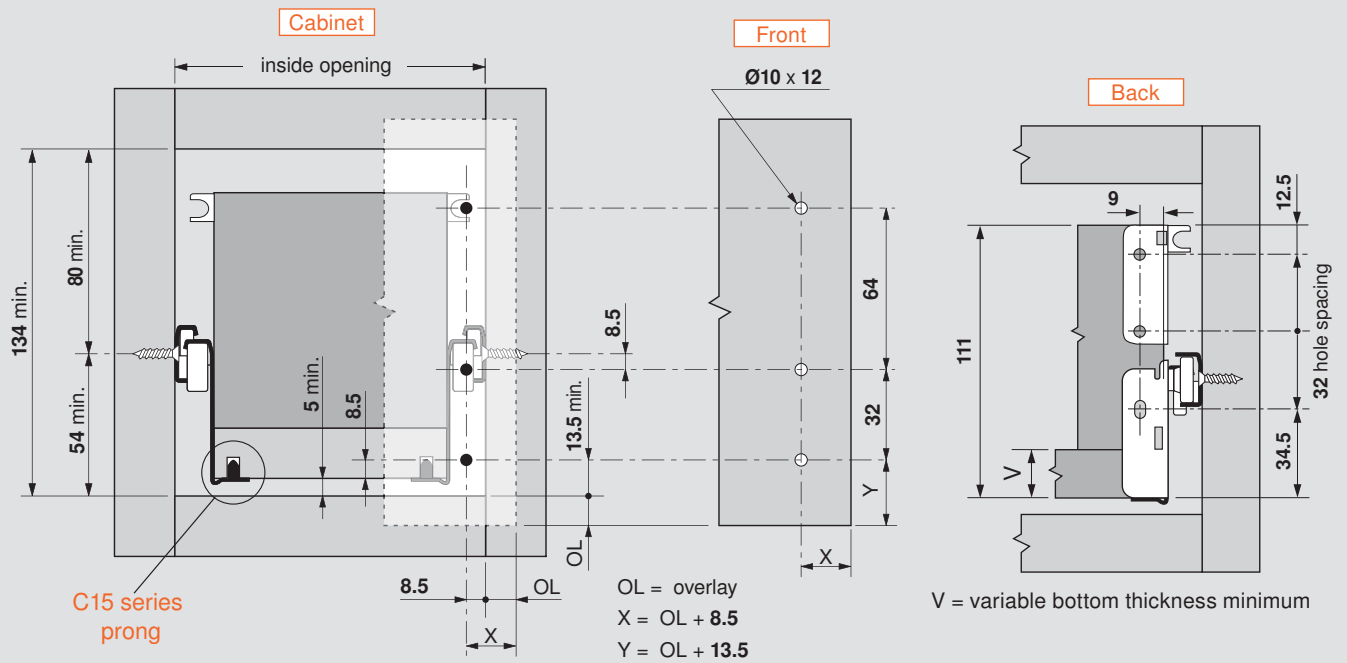




## Gallery Rail

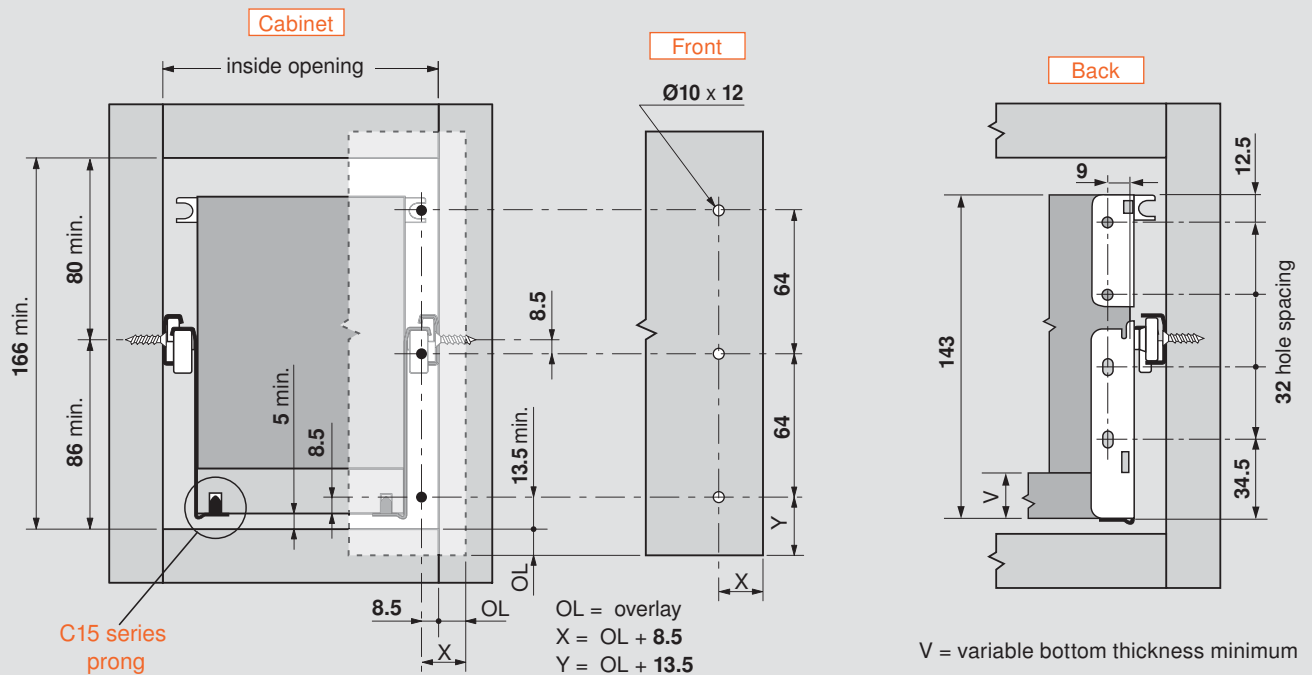
## METABOX

### 320N installation specifications



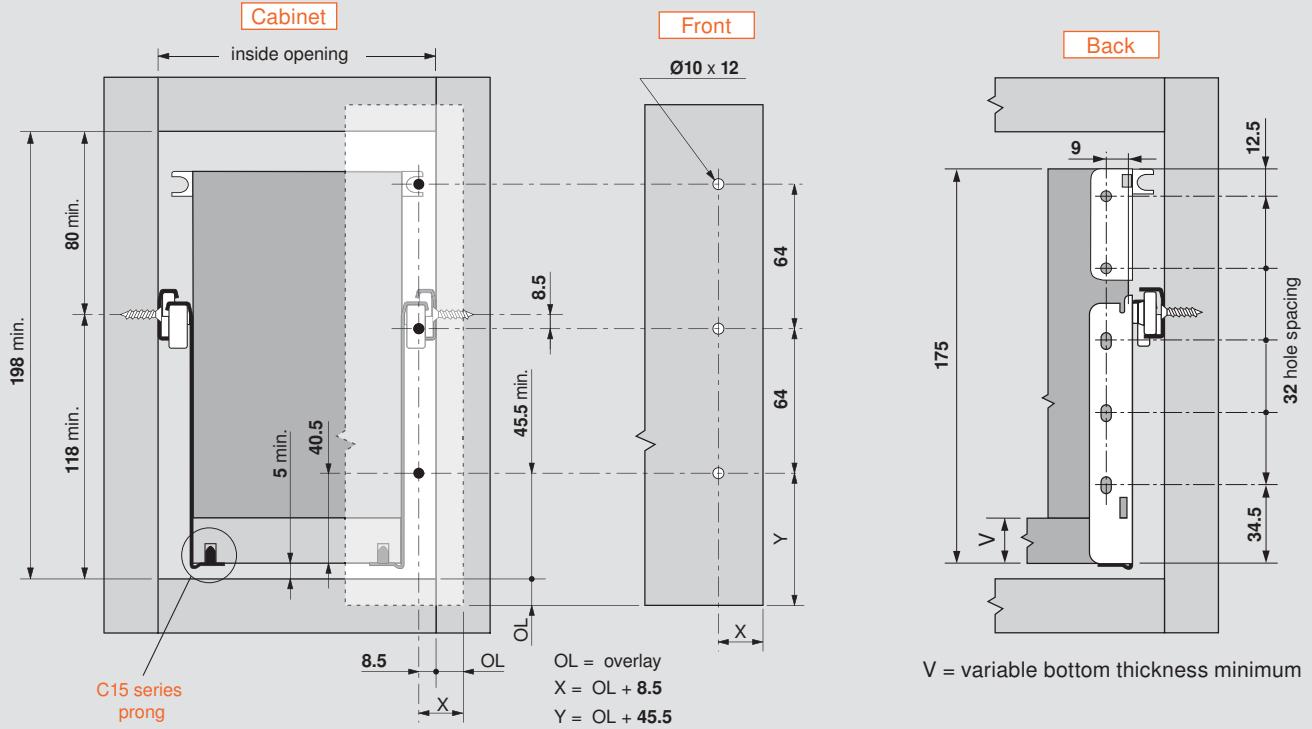
**NOTE:** For double gallery rail application add 64 (2-1/2") to opening and back height

### 320M installation specifications



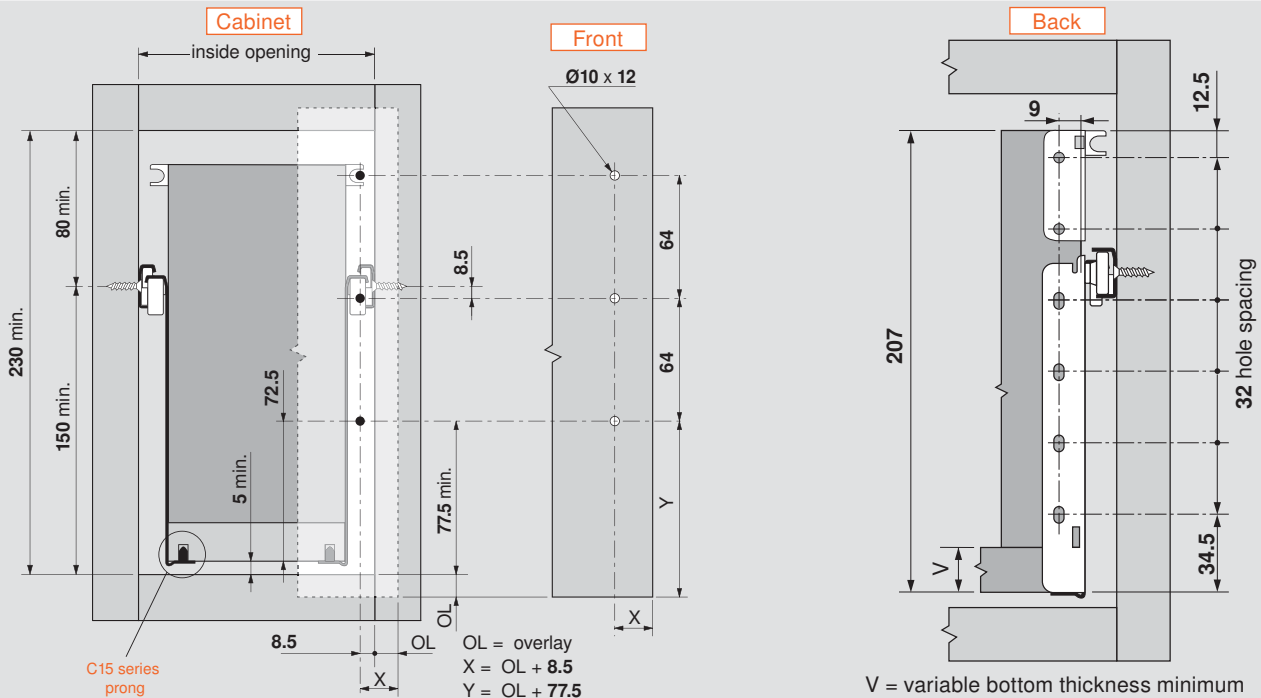
**NOTE:** For double gallery rail application add 64 (2-1/2") to opening and back height

320K installation specifications

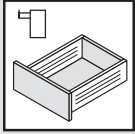


**NOTE:** For double gallery rail application add 64 (2-1/2") to opening and back height

320H installation specifications



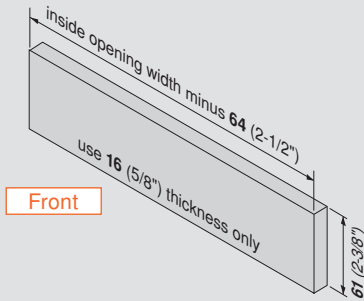
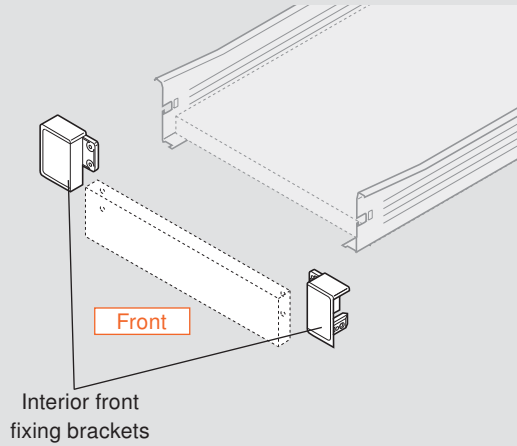
**NOTE:** For double gallery rail application add 64 (2-1/2") to opening and back height



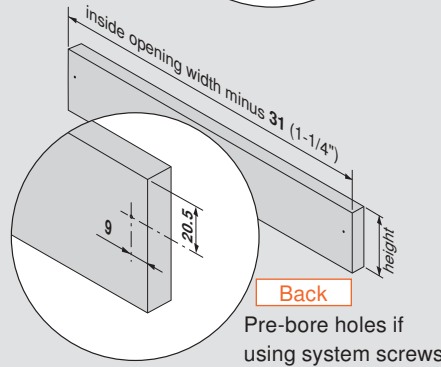
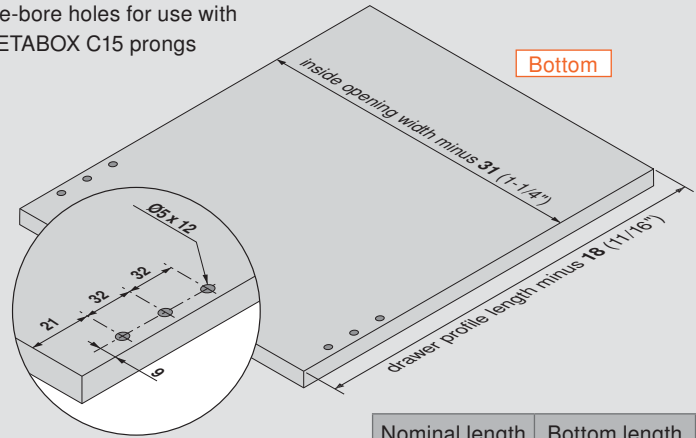
## 320N Interior Drawer Application

**METABOX**

### Components



Pre-bore holes for use with METABOX C15 prongs



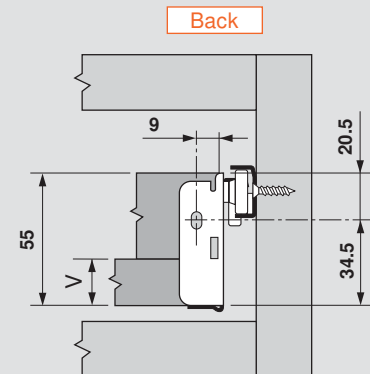
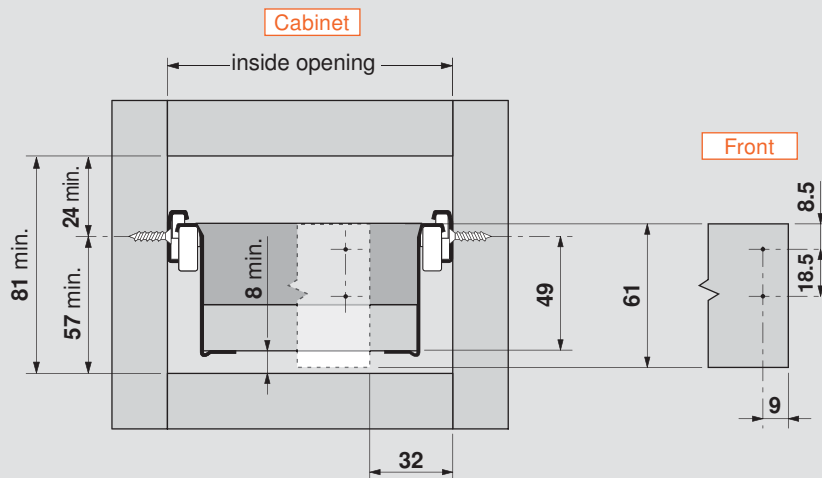
Nominal length	Bottom length
550 (21-5/8")	532 (20-15/16")
500 (19-11/16")	482 (19")
450 (17-11/16")	432 (17")
400 (15-3/4")	382 (15-1/16")
350 (13-3/4")	332 (13-1/16")
270 (10-5/8")	252 (9-15/16")

Bottom material thickness	Back height
13 (1/2")	42 (1-5/8")
16 (5/8")	39 (1-9/16")
19 (3/4")	36 (1-7/16")

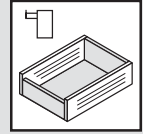
### Screw-on interior front fixing bracket

Nylon	White	Part no.
	Right	ZIF.3010.02
	Left	ZIF.3010.03

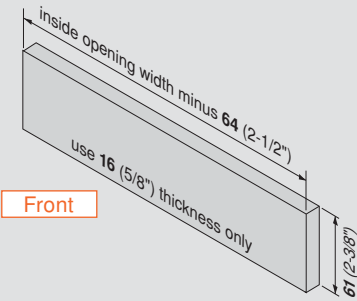
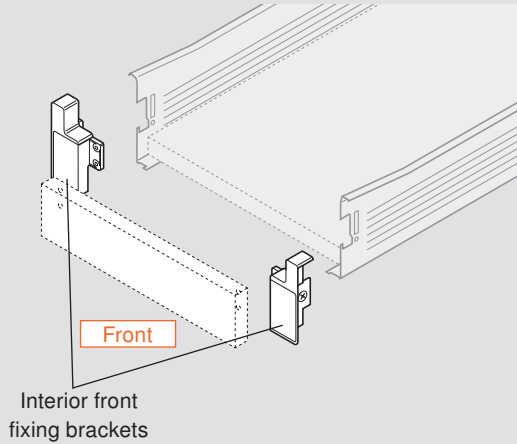
### Installation specifications



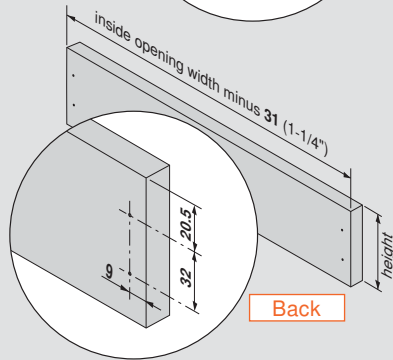
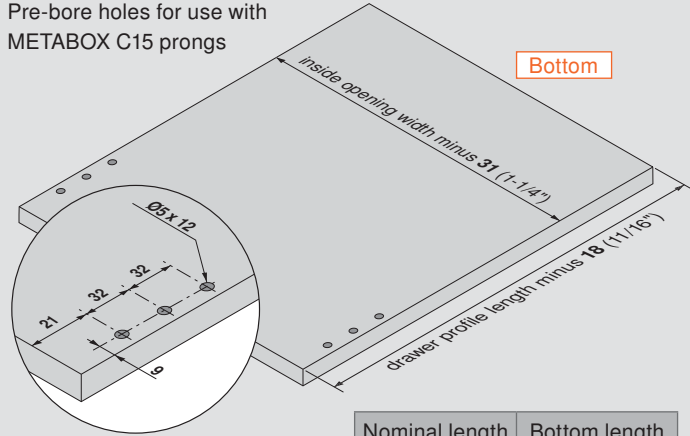
V = variable bottom thickness minimum



Components



Pre-bore holes for use with METABOX C15 prongs



Nominal length	Bottom length
550 (21-5/8")	532 (20-15/16")
500 (19-11/16")	482 (19")
450 (17-11/16")	432 (17")
400 (15-3/4")	382 (15-1/16")
350 (13-3/4")	332 (13-1/16")
270 (10-5/8")	252 (9-15/16")

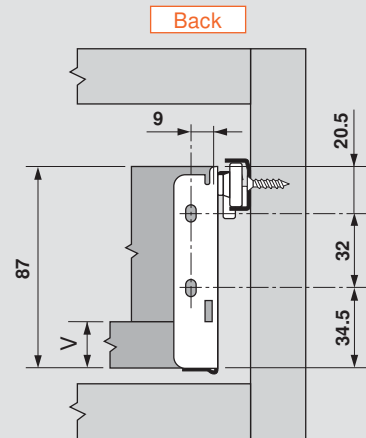
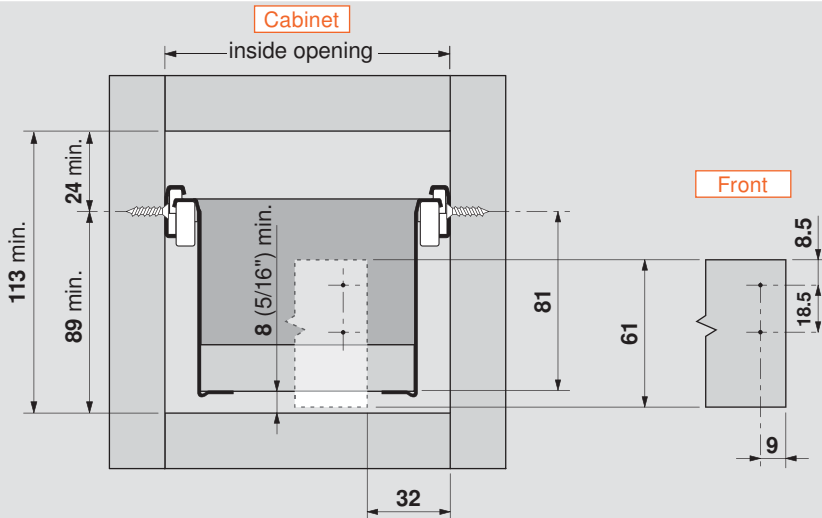
Bottom material thickness	Back height
13 (1/2")	74 (2-15/16")
16 (5/8")	71 (2-15/16")
19 (3/4")	68 (2-11/16")

Screw-on interior front fixing bracket

Nylon	White	Part no.
	Right	ZIF.3000.02
	Left	ZIF.3000.03

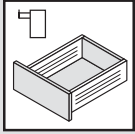
Pre-bore holes if using system screws

Installation specifications



V = variable bottom thickness minimum

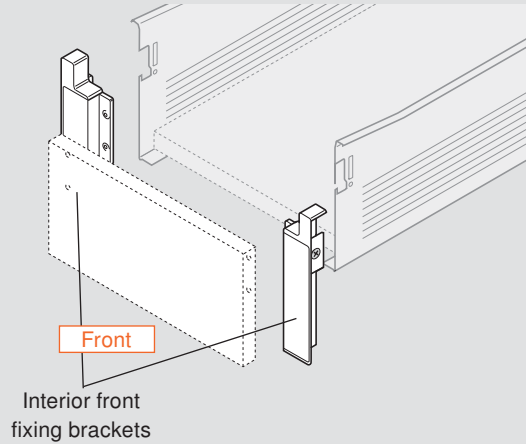




## 320H Interior Drawer Application

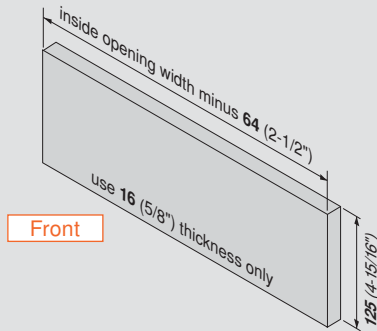
**METABOX**

### Components



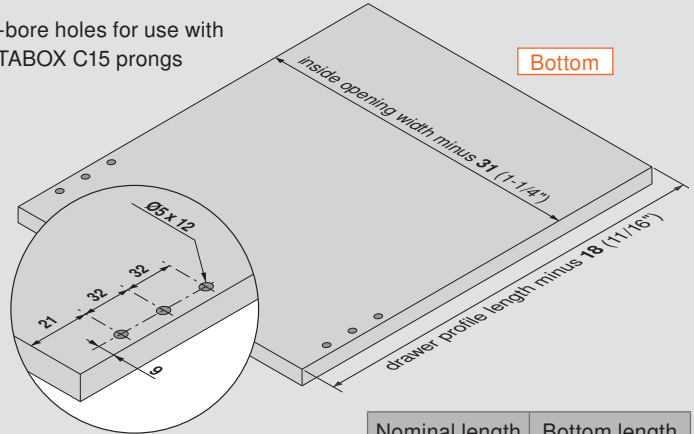
Front

Interior front fixing brackets

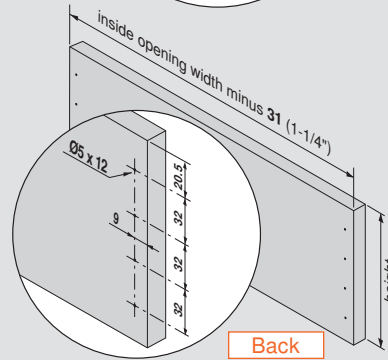


Front

Pre-bore holes for use with METABOX C15 prongs



Bottom



Back

Pre-bore holes if using system screws

Nominal length	Bottom length
550 (21-5/8")	532 (5-7/16")
500 (19-11/16")	482 (19")
450 (17-11/16")	432 (17")
400 (15-3/4")	382 (15-1/16")
350 (13-3/4")	332 (13-1/16")

Bottom material thickness	Back height
13 (1/2")	138 (5-7/16")
16 (5/8")	135 (5-5/16")
19 (3/4")	132 (5-3/16")

### Screw-on interior front fixing bracket

Nylon



White

Part no.

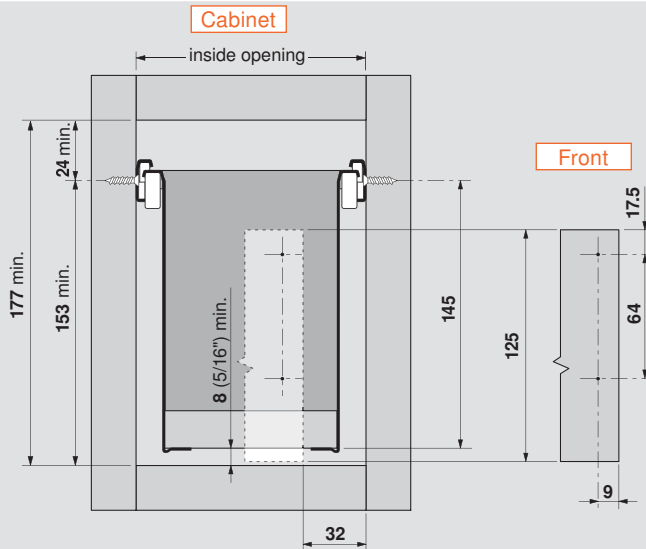
Right

ZIF.3050 R

Left

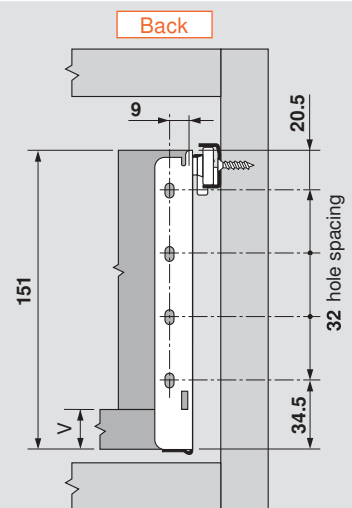
ZIF.3050 L

### Installation specifications



Cabinet

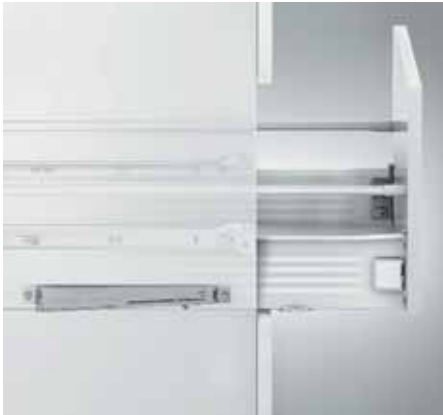
Front



Back

V = variable bottom thickness minimum

**Application**



**Features**

- Soft closing mechanism for METABOX 320 series
- Designed for single extension C15 only
- Minimal opening force required
- One BLUMOTION required for cabinets up to 36" wide
- BLUMATIC self-closing and BLUMOTION in one mechanism

**Required parts**

**BLUMOTION for METABOX set**

**Set includes:**

- Gray mechanism
- White latch



Part no.

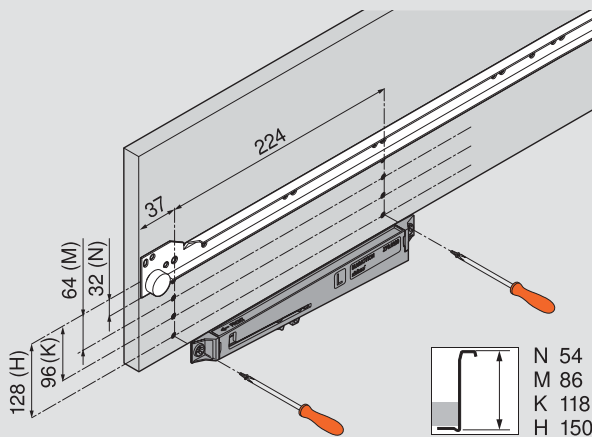
BLUMOTION set

**Z70.0320**

**Installation**

**BLUMOTION mechanism mounting**

Only one BLUMOTION set required for cabinets up to 36" wide



Installation screws

Part no.

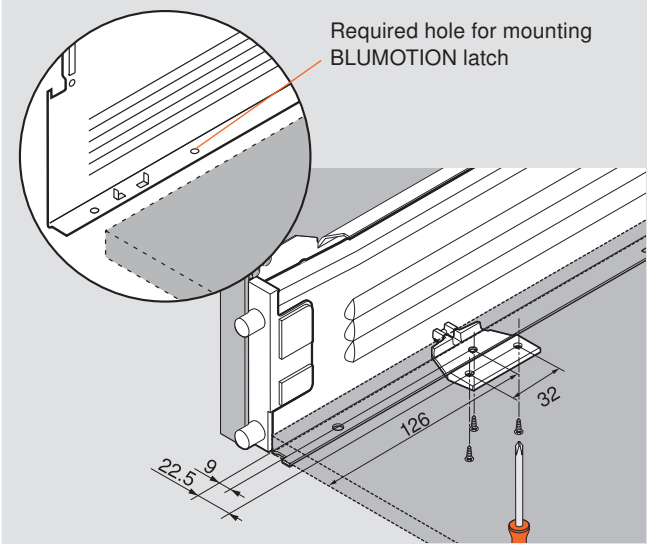
#6 x 5/8", #2 wood screw (two required)

**606N or 606P**

#7 x 14.5 mm system screw (two required)

**661.1450HG**

**Latch attachment**



Installation screws

Part no.

#6 x 5/8", #2 wood screw (two required)

**606N or 606P**



BLUMOTION for METABOX attaches on the left side of the cabinet, below the cabinet profile.

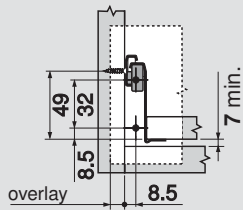


Two screws in the bottom and one in the drawer profile are required.

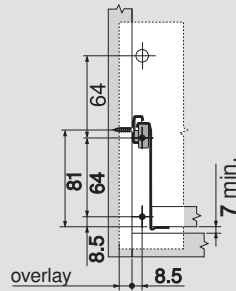
Dimensions

Increased space beneath the drawer required

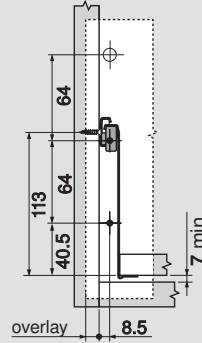
N height drawer



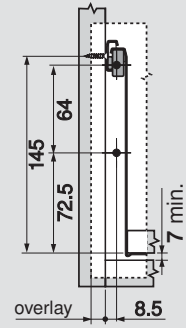
M height drawer



K height drawer



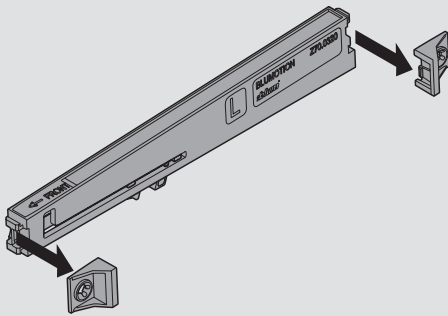
H height drawer



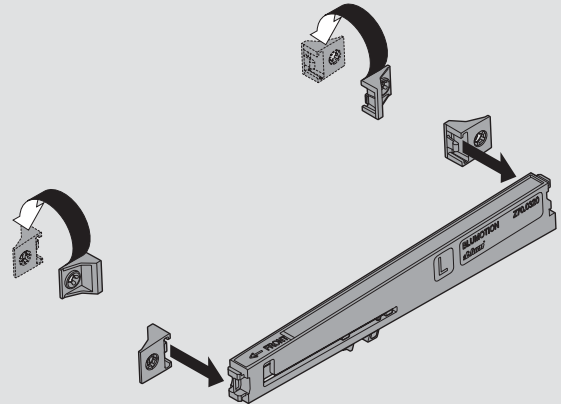
For drawers greater than 36" wide

Use two BLUMOTION for METABOX sets

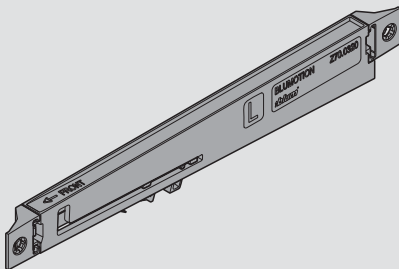
1 After attaching the left mechanism, prepare the second BLUMOTION for attachment to the right side by removing the end brackets



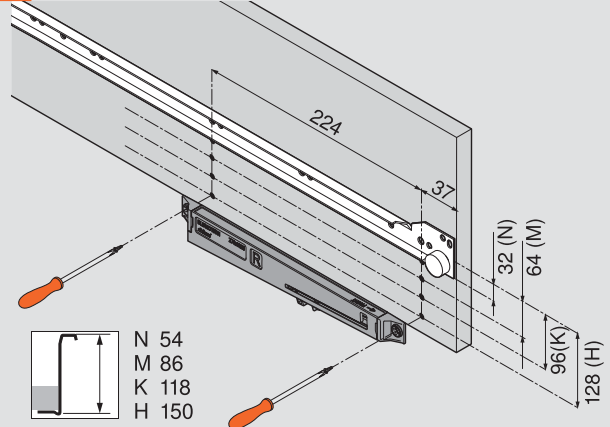
2 Rotate end brackets 180° and re-attach



3 The BLUMOTION mechanism is now ready for attachment to the right side of the cabinet



4 Attach with the installation screws shown



Installation screws

Part no.

#6 x 5/8", #2 wood screw (two required)

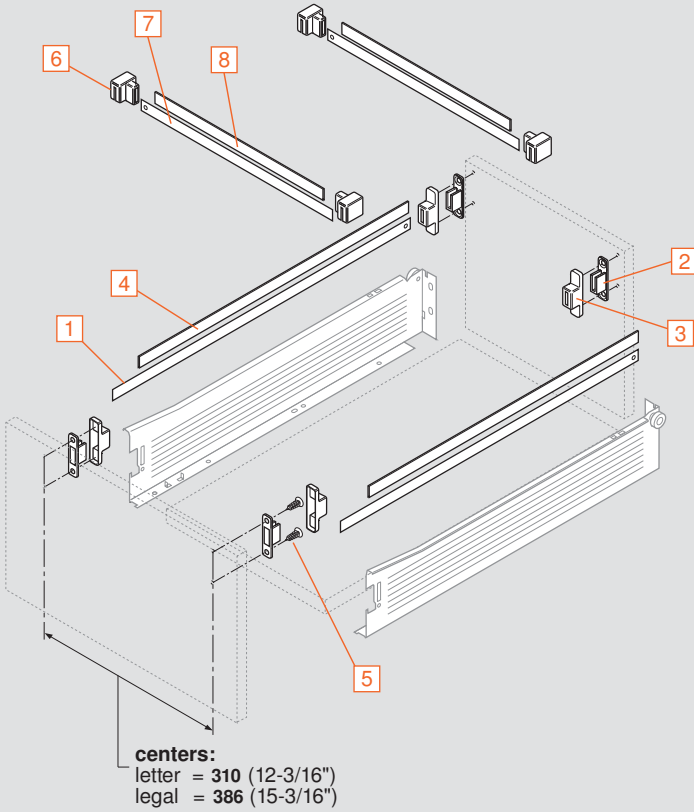
606N or 606P

#7 x 14.5 mm system screw (two required)

661.1450HG

**NOTE:** An additional latch is required on the right side of the drawer

**METAFILE set**



Includes components to make one standard hanging file system

**Set includes:**

- 1 Steel hanging rails (ZRM.550S) zinc coated, 3 x 13 x 550 (qty 2)
- 2 Rail support brackets (ZRM.0005) synthetic, natural color (qty 4)
- 3 Rail support covers (ZRM.0003) synthetic, white (qty 4)
- 4 Glide profiles (ZRM.550G) synthetic, white, 550 length (qty 2)
- 5 Flathead wood screws (6064N) nickel, #6 x 3/4" (qty 8)

Part no

METAFILE set **ZRM.5500.US**

**Lateral file accessories**

- 6 Lateral bracket synthetic, white

Four required per drawer **ZRM.0004.10**

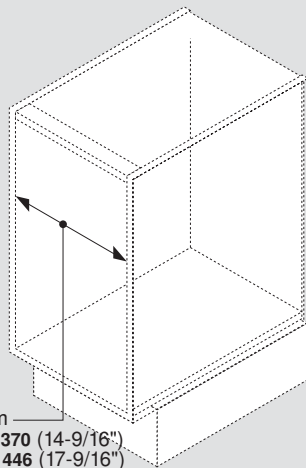
- 7 Steel hanging rail zinc coated, 3 x 13 x 1100 cut to length

Hanging rail **ZRM.1100S**

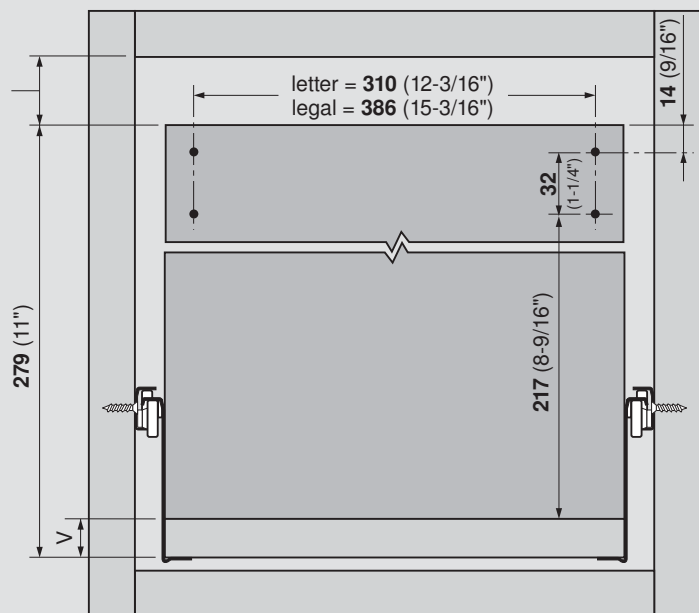
- 8 Glide profile synthetic, white, 1100 mm long, cut to length

Glide profile **ZRM.1100G**

**Assembly and installation specifications**



320 series = 18 (11/16") min.



V = variable bottom thickness minimum

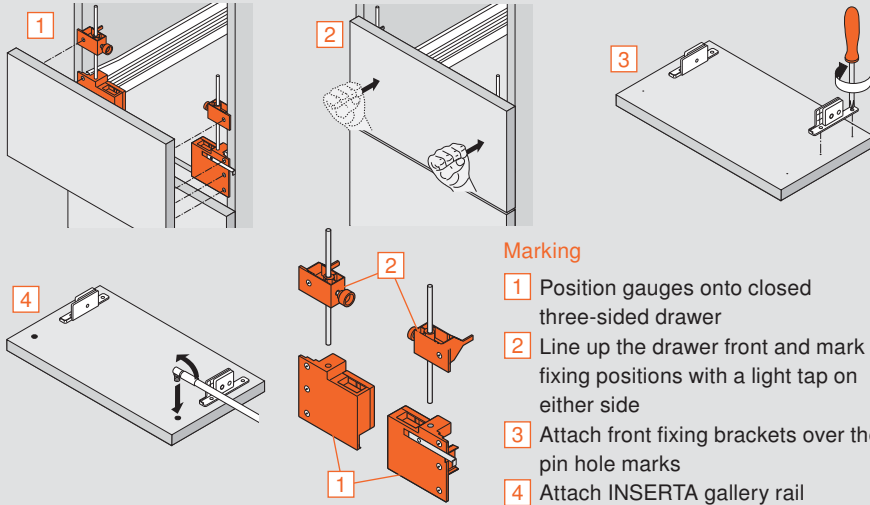








Drawer front marking gauges



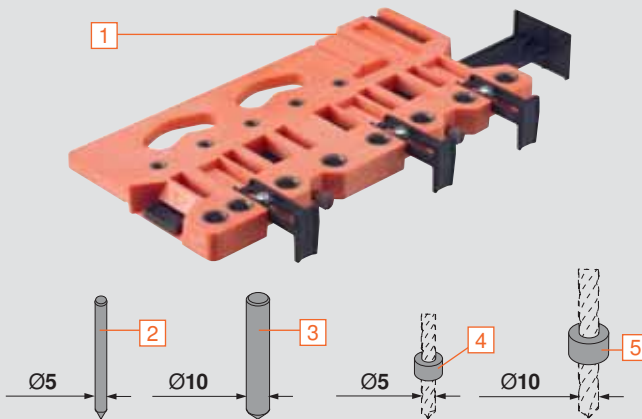
Marking

- 1 Position gauges onto closed three-sided drawer
- 2 Line up the drawer front and mark fixing positions with a light tap on either side
- 3 Attach front fixing brackets over the pin hole marks
- 4 Attach INSERTA gallery rail

For marking all front fixing bracket positions including drawers with galleries.

Standard marking gauge set	Part no.
For METABOX 320N, K, H	ZML.1500
For METABOX 320N	ZML.1510
Gallery marking gauge set (qty 2)	
<ul style="list-style-type: none"> <li>■ Rod with adjustable marking gauges</li> </ul>	
Gauge set	ZML.8000.02

Universal boring template



Set includes:

- 1 Template
  - 2 Ø5 marking pin
  - 3 Ø10 marking pin
  - 4 Ø5 stop collar
  - 5 Ø10 stop collar
- Used for boring drawer fronts, located all fixing positions
  - Used to pre-bore for drawer fronts, bottoms and backs for LEGRABOX, TANDEMBOX and METABOX drawer systems, also AVENTOS mounting plates

	Part no.
Universal boring template	ZML.0040.01
Ø5 drill bit	DB-5mm
Ø10 drill bit	DB-10mm

Cabinet profile template

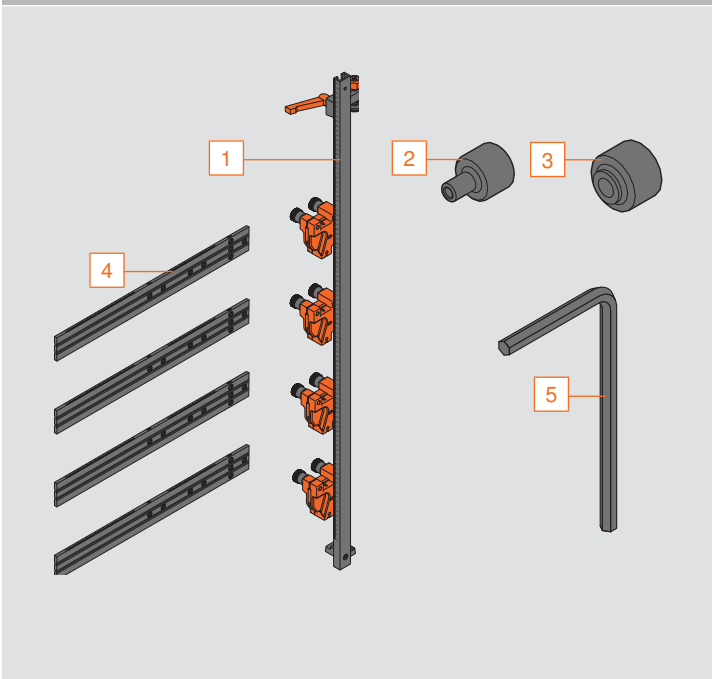


- Used for pre-boring holes for LEGRABOX, TANDEMBOX, and TANDEM drawer runners
- Can also be used to pre-bore AVENTOS locating pins and pre-boring for hinge mounting plates

Part no.

Cabinet profile template	65.1000.01
Replacement template	65.1001.01
Ø2.5 drill bit	DB-2.5mm

Components



Cabinet profile template includes:

- Rail, 1 meter long (qty 1)
- Ø2.5 stop collar (qty 1)
- Ø5 stop collar (qty 1)
- Replacement template (qty 4)
- Allen wrench (qty 1)

Universal individual template



- Used for pre-boring holes for LEGRABOX, TANDEMBOX, and TANDEM drawer runners
- Can also be used to pre-bore for AVENTOS locating pins and pre-boring for hinge mounting plates
- Calibrated scales for accurate setting

Set includes:

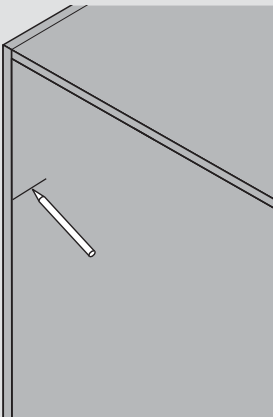
- Universal individual template
- Ø2.5 and Ø5 stop collars

Part no.

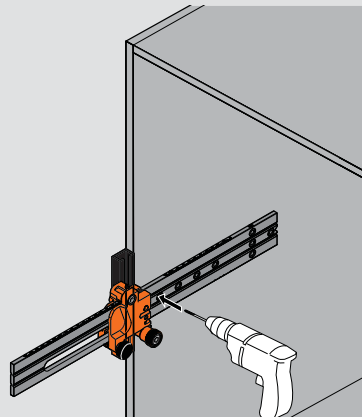
Universal individual template	65.1051.02
Ø2.5 drill bit	DB-2.5mm

Pre-boring for cabinet profile mounting holes

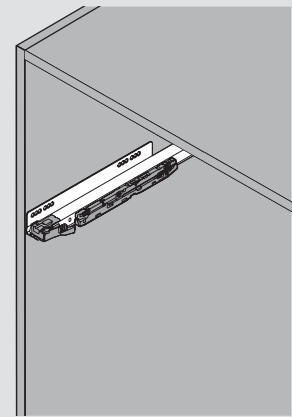
1 Mark position



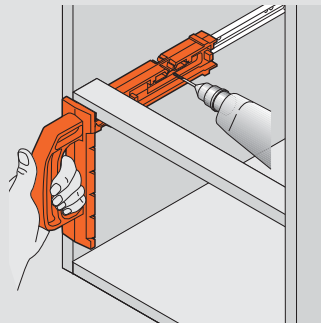
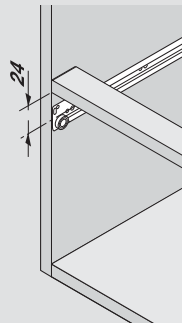
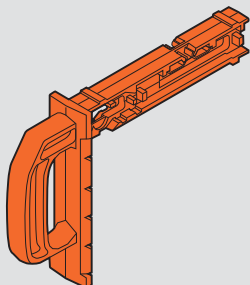
2 Line up template with mark and pre-bore required holes



3 Attach runner



MINIFIX



For precise positioning of cabinet profile fixing screws.

- For METABOX series 320N, M, K, H
- For runners 230M

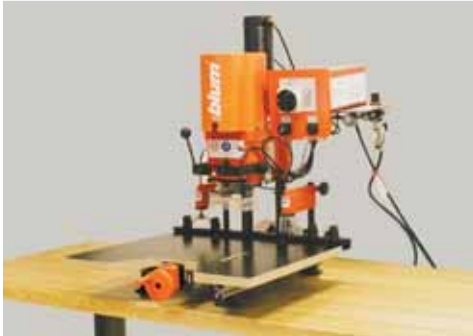
Part no.

MINIFIX	65.3300
---------	---------



Machines

**MINIPRESS P — Deluxe boring and insertion machine**



- Front adjustable boring distance with digital counter
- Pneumatic hold-down clamps
- Boring depth adjustment
- Ruler stops (qty 4)
- Tool kit included
- Dust collection attachment
- Optional laser center line set
- Accepts new 8 or 9 spindle heads

Part no.

Single phase — 220V power	<b>M53.1053*US</b>
Three-phase — 220V power	<b>M53.1004*US</b>

**MINIPRESS M — 110V manual boring and insertion machine**



- 110V power with molding plug (portable)
- Does not require pressurized air
- Ruler stops (qty 4)
- Tool kit included
- Dust collection attachment
- Accepts 8 or 9 spindle heads

Part no.

Single phase — 110V power	<b>M52.1056*US</b>
---------------------------	--------------------

**EASYSTICK**



- Automatically moves stops for exact drilling locations for all Blum products
- Built-in cabinet configurator for cabinet design with integrated Blum hardware
- Available as upgrade for MINIPRESS P (models 2007 and newer)

Part no.

Computer	<b>MZD.5000</b>
Fence - overall 1700mm*	<b>MZD.2000</b>
Fence extensions - additional 1700**	<b>MZD.2V00</b>
Support for extension ruler	<b>M2V.2E00</b>

\* Maximum position 953mm from center  
 \*\* 1700 each side

**Optional items**



Part no.

Laser center line set	<b>MZR.5300.US</b>
-----------------------	--------------------

8 spindle head



- 8 spindle head for use with MINIPRESS/MINIDRILL M53
- Bores eight holes spaced **32** apart, perpendicular to the fence
- Quick-disconnect chucks
- Once aligned, does not require additional adjustment
- Bores all METABOX/TANDEMBOX/LEGRABOX front fixing brackets and galleries
- Bores cabinet side panels for all Blum runner systems
- Requires retrofit set for use with machines produced in 2009 or prior

Includes:

- Ø3 allen wrench
- Distance spacer
- Drive pin
- Air hose

Part no.

8 spindle head	<b>MZK.880S</b>
Chuck cover cap	<b>M30.1329</b>

9 spindle head



- 9 spindle head for use with MINIPRESS/MINIDRILL M53
- Bores nine holes spaced **32** apart, parallel to the fence
- Quick-disconnect chucks
- Once aligned, does not require additional adjustment
- Bores cabinet side panel for **32** millimeter system boring for Blum mounting plates and runners
- Requires retrofit set for use with machines produced in 2009 or prior

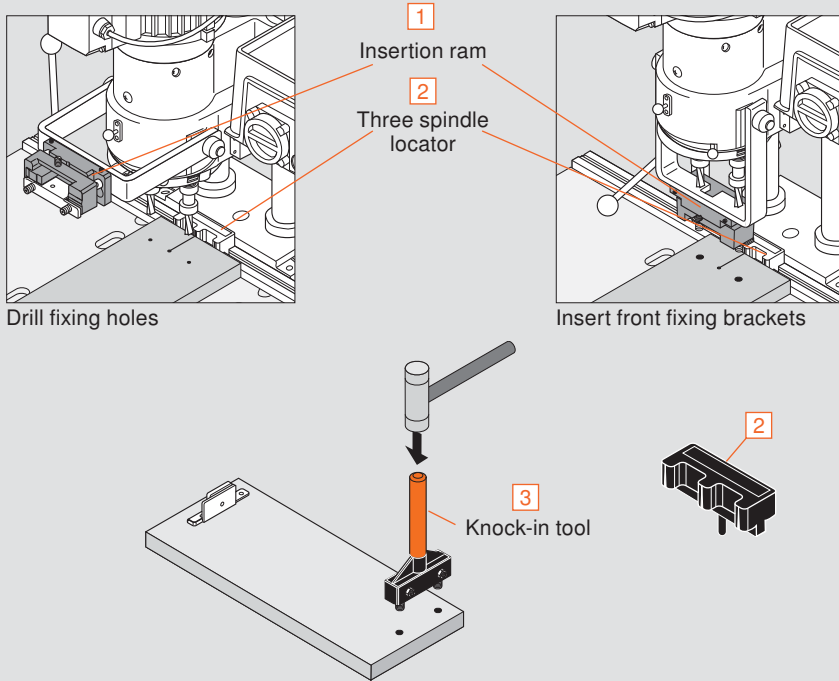
Includes:

- Ø3 allen wrench
- Distance spacer
- Drive pin
- Air hose

Part no.

9 spindle head	<b>MZK.190S</b>
Chuck cover cap	<b>M30.1329</b>

Installation tools

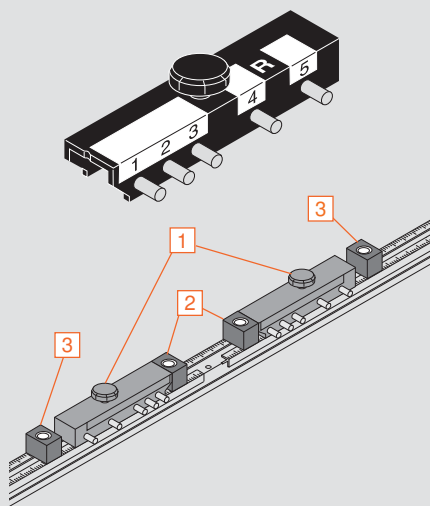


For location and insertion of front fixing brackets.

Three spindle locator enables the positioning of the drawer front without using fence stops (not for use with hinge insertion).

	Part no.
<b>1</b> Insertion ram for MINIPRESS	
ZSF.1300 and ZSF.1800	<b>MZM.0092.01</b>
<b>2</b> Three spindle locator	<b>MZR.2000</b>
<b>3</b> Knock-in tool	
ZSF.1300 and ZSF.1800	<b>ZME.1600.01</b>
<b>3</b> Knock-in tool	
ZSF.1610	<b>ZME.1610</b>

MINISTICK fence stop



Enables fast setup for drawer front boring and front fixing bracket insertion with the MINIPRESS.

Eliminates the need for multiple fence stops.

Set includes:

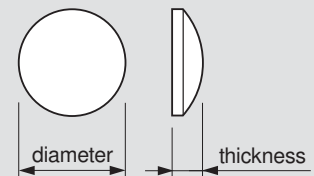
- 1** LH & RH adj. stick mechanism
- 2** Upper drawer stop (qty 2)
- 3** Bottom drawer stop (qty 2)

**NOTE:** Essential tool for production boring of drawer fronts

	Part no.
MINISTICK	<b>MZS.0040</b>

Bumpers

- Cushions door closing
- Clear with a self-adhesive back



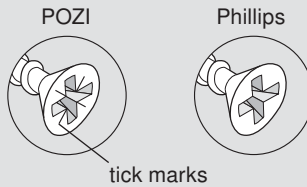
	Part no.
Ø6 (1/4") x 1.5 (1/16")	<b>FX4041</b>
Ø10 (3/8") x 3 (1/8")	<b>SJ5312</b>



**POZI DRIVER and bits**



A POZI screwdriver (different from Phillips) is the most crucial tool you can use to assure that full torque is applied to all Blum mounting screws. POZI screws can be identified by the distinctive “tick” marks located in the center of the screw head recess.

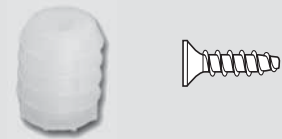


Part no.

#2 POZI DRIVER	<b>POZI DRIVER</b>
1/4" Magnetic bit holder	<b>BIT HOLDER</b>
#2 x 1" POZI bit insert	<b>POZI BIT #2x1</b>
#2 x 2" POZI bit insert	<b>POZI BIT #2x2</b>

**Replacement dowel and screw**

Replacement dowel and screw for the front fixing brackets.

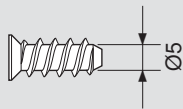


Part no.

Ø10 mm dowel	<b>80.3532</b>
Dowel screw	<b>608.1200</b>

**Deep thread system screw**

Pilot bore Ø5 (3/16") hole



Part no.

#7 x 11.5 mm, #2 POZI	<b>661.1150.HG</b>
#7 x 13 mm, #2 POZI	<b>661.1300.HG</b>
#7 x 14.5 mm, #2 POZI	<b>661.1450.HG</b>
#6 x 11.5 mm, Special	<b>662.1150.HG</b>

**Deep thread wood screw**

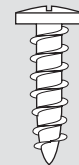


Part no.

#6 x 5/8", #2 Phillips	<b>606N</b>
#6 x 5/8", #2 POZI	<b>606P</b>
#6 x 3/4", #2 Phillips	<b>6064N</b>
#7 x 5/8", #2 Phillips	<b>707N</b>
#7 x 3/4", #2 Phillips	<b>7074N</b>

**Truss head wood screw**

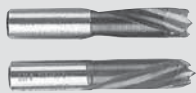
Pilot bore Ø2 (3/32") hole



Part no.

#6 x 1/2", #2 Phillips	<b>612TH</b>
------------------------	--------------

**Ø10 Drill bit**



— Ø10 (13/32") drill bit for the MINIPRESS boring heads

Part no.

Drill bit (right hand)	<b>M01.ZB10.02</b>
Drill bit (left hand)	<b>M01.ZB10.03</b>

**Ø5 Drill bit**



— Ø5 (3/16") drill bit for the MINIPRESS boring heads

Part no.

Drill bit (right hand)	<b>M01.ZB05.D2</b>
Drill bit (left hand)	<b>M01.ZB05.D3</b>

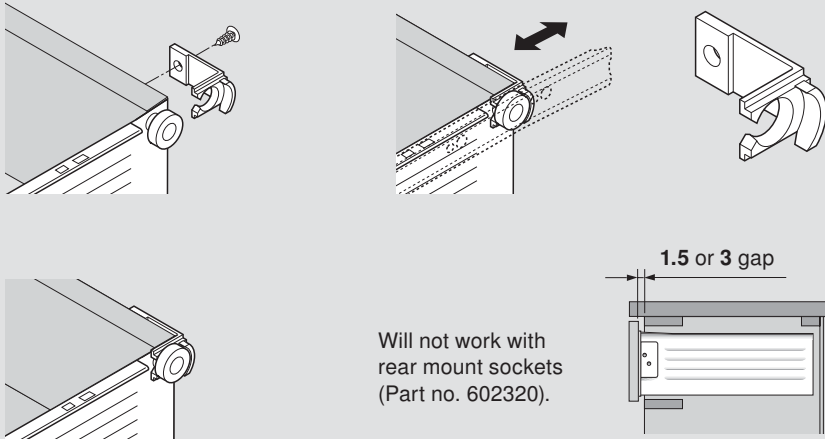
**Countersink drill bit**



— Ø10 (13/32") drill bit for the MINIPRESS boring heads  
— For HPL material

Ø10 mm drill bit (LH)	<b>T108-10mmL</b>
-----------------------	-------------------

**POSI-STOP assembly**



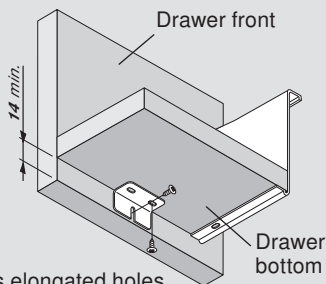
Add-on device to keep drawer front from contacting the cabinet face.

- Available in thicknesses of **1.5** (1/16") or **3** (1/8")
- Synthetic, natural finish
- Non-handed
- Use two per drawer
- Snap in place and secure with wood screw

Part no.	
<b>1.5</b> (1/16") gap	<b>298.3210.01</b>
<b>3</b> (1/8") gap	<b>298.3230.01</b>
Installation screws	<b>606N or 606P</b>

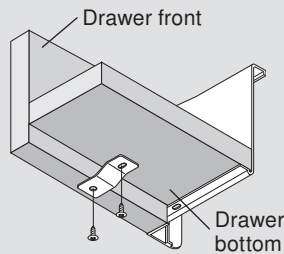
**Drawer front support brackets**

Standard drawers



**NOTE:** Has elongated holes

Interior pull-out trays



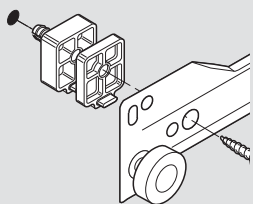
Add-on brackets for wide drawers to keep the front tight to the drawer bottom.

- Stainless steel
- Attach with 612TH screws #6 x 1/2" trusshead

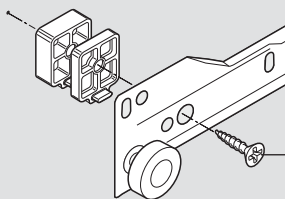
Part no.	
For standard drawers	<b>ZSB.0090.01</b>
For interior roll-out trays	<b>ZSB.0045.01</b>
Installation screw	<b>612TH</b>

**Cabinet profile spacers**

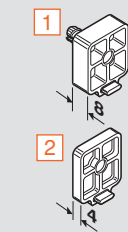
With split dowel



Without split dowel



Use #6 FH screw that penetrates cabinet side at least **13**



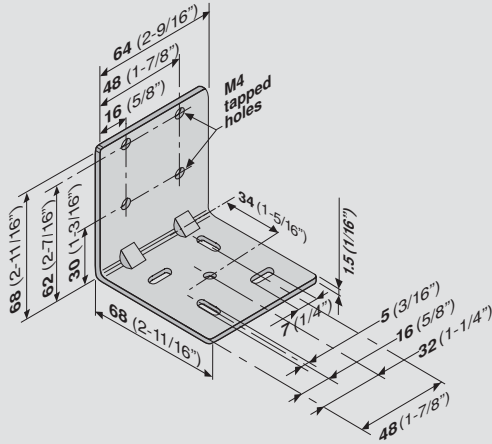
To space runners away from the cabinet side to clear door protrusion for interior roll-out trays.

- Two thicknesses available that can be stacked up to **24** (15/16")
- Synthetic, cream color

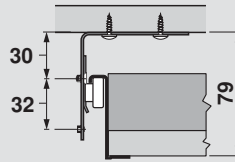
<b>1</b> <b>8</b> (5/16") with <b>Ø5</b> (3/16") x <b>11</b> dowel for linebore mounting	Part no.
	<b>320M0188</b>
<b>2</b> <b>4</b> (5/32") stackable	<b>320M0048</b>
Installation screw	<b>606N or 606P</b>

**NOTE:** Use spacers on front, middle and rear of each cabinet profile for adequate support

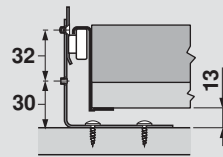
Universal drawer bracket set



METABOX top mount (320N shown)



Bottom mount (320N only)



For mounting Blum runners to the underside of a counter surface (pencil drawer) or to the floor of a cabinet (roll-out tray).

- Zinc-coated steel
- Attach to cabinet with Blum 612TH screws, #6 x 1/2" truss head

Set includes:

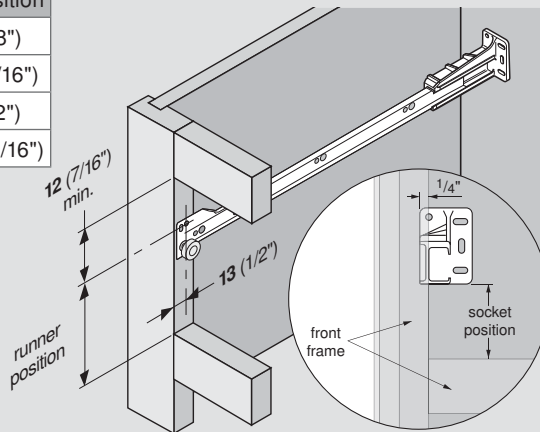
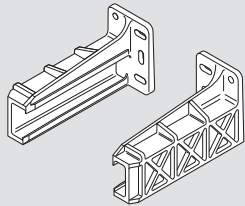
- Universal brackets (qty 4)
- M4 x 6 flathead machine screws to attach runners to brackets (qty 8)

Part no.

Drawer bracket set	<b>295.4000</b>
Installation screw	<b>612TH</b>

Rear mount sockets

Series	Runner position	Socket position
<b>320N</b>	<b>66.5 (2-5/8")</b>	<b>35.5 (1-3/8")</b>
<b>320M</b>	<b>99.5 (3-15/16")</b>	<b>67.5 (2-11/16")</b>
<b>320K</b>	<b>131.5 (5-3/16")</b>	<b>89.5 (3-1/2")</b>
<b>320H</b>	<b>163.5 (6-7/16")</b>	<b>131.5 (5-3/16")</b>



For use with METABOX 320N, M, K, H and STANDARD 230M runners in frame cabinets.

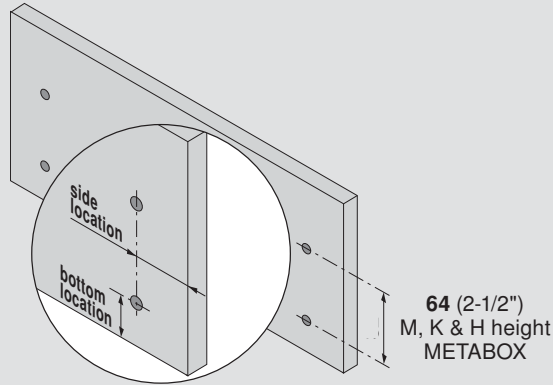
- Synthetic, cream color
- Attach with Blum 612TH screws, #6 x 1/2" trusshead

**NOTE:** Cannot be used in conjunction with POSI-STOP's

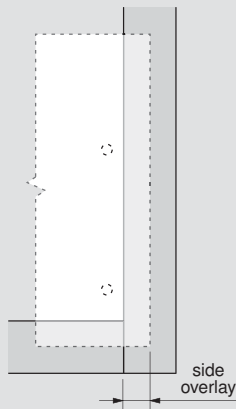
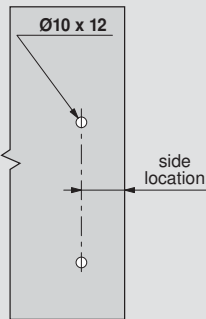
Part no.

Left and right socket set	<b>602320</b>
Installation screw	<b>612TH</b>

Determining front fixing bracket locations



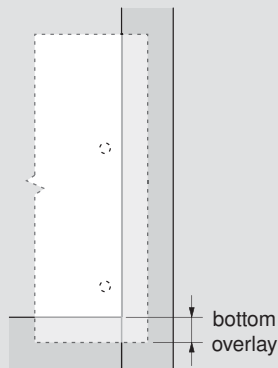
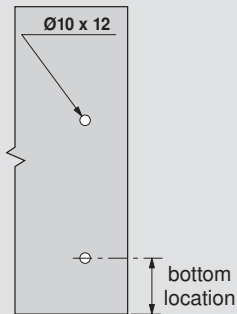
Side location



Side overlay	Side location
13	21.5
14	22.5
16	24.5
17.5	26
19	27.5

**NOTE:** For overlays not shown please refer to specification pages 6-19 to calculate hole locations

Bottom location



Bottom overlay	Bottom location		
	N and M	K	H
13	26.5	58.5	90.5
14	27.5	59.5	91.5
16	29.5	61.5	93.5
17.5	31	63	95
19	32.5	64.5	96.5

**NOTE:** For overlays not shown please refer to specification pages 6-19 to calculate hole locations







Part no.	Page no.	Part no.	Page no.
602320	35	M53.1004*US	30
602750	27	M53.1053*US	30
65.3300	29	MZD.2000	30
65.100.01	28	MZD.2V00	30
65.1001.01	28	MZD.5000	30
65.1051.02	29	MZV.2E00	30
80.3532	33	MZK.190S	31
295.4000	33	MZK.8800S	31
298.3210.01	32	MZM.0092.01	34
298.3230.01	32	MZR.2000	32
320H3500C15	14	MZR.5300.US	30
320H4000C15	14	MZS.0040	32
320H4500C15	14	POZI BIT #2X1	33
320H5000C15	14	POZI BIT #2X2	33
320H5500C15	14	POZI DRIVER	33
320K3500C15	12	SJ5312	32
320K4000C15	12	T108-10mmL	35
320K4500C15	12	Z70.0320	22
320K5000C15	12	ZAA.3500	10, 12, 14,
320K5500C15	12	ZIF.3000.02	20
320M0048	32	ZIF.3000.03	20
320M0088	32	ZIF.3010.02	19
320M0188	32	ZIF.3010.03	19
320M2700C15	10	ZIF.3050	21
320M3500C15	10	ZME.1600.01	32
320M4000C15	10	ZME.1610	32
320M4500C15	10	ZML.0040	27
320M5000C15	10	ZML.1500	27
320M5500C15	10	ZML.1510	27
320N3500C15	8	ZML.8000.02	27
320N4000C15	8	ZRE.421S.ID	16
320N4500C15	8	ZRE.471S.ID	16
320N5000C15	8	ZRE.521S.ID	16
320N5500C15	8	ZRG.1104U	16
606N or 606P	33	ZRM.0004.10	24
6064N	33	ZRM.1100G	24
608.1200	33	ZRM.1100S	24
612TH	33	ZRM.5500.US	24
661.1150.HG	33	ZSB.0045.01	27
661.1300.HG	33	ZSB.0090.01	27
661.1450.HG	33	ZSF.130E	10, 12, 14
662.1150.HG	33	ZSF.1200	10, 12, 14
707N	33	ZSF.1300	10, 12, 14
7074N	33	ZSF.1510.04	8
BIT HOLDER	33	ZSF.1510.05	8
DB-2.5mm	28, 29	ZSF.1610.04	8
DB-5mm	29	ZSF.1610.05	8
DB-10mm	29	ZSF.1700	10, 12, 14
FX4041	32	ZSF.1800	10, 12, 14
M01.ZB05.D2	33		
M01.ZB05.D3	33		
M01.ZB10.02	33		
M01.ZB10.03	33		
M30.1329	31		
M52.1056*US	30		





## Why Choose Blum



The Blum name stands for quality, innovation and great customer service. We manufacture hardware that makes working in the kitchen easier, no matter the age of the user, and we do this globally. We've been in the United States for more than 40 years, and we are committed to manufacturing for the American market. Blum supports the United States market with a network of distributors, knowledgeable Blum sales representatives and an experienced customer service department. Each of our products has been designed carefully, with the customer experience in mind. We have a deep commitment to research and believe anyone who manufactures, sells, installs or uses our products should benefit from our knowledge and experience. We specialize in engineering and manufacturing concealed hinges, drawer systems and systems for lift-up doors. From our touch-to-open technology, to the soft-closing door or drawer, our hardware helps modernize the kitchen experience.



To learn more about Blum, visit [blum.com/tour](https://blum.com/tour)



Blum, Inc. is ISO 9001 certified which means that you are assured of consistent quality in every Blum product. They exceed the requirements of ANSI/BHMA standards for cycle life, static load and self-closing performance.



Blum, Inc.  
7733 Old Plank Rd.  
Stanley, NC 28164  
800-438-6788  
blum.com



Please visit [blum.com](http://blum.com) for information on other Blum products.  
LIT-MBX1000.05.21 © 2021 Blum, Inc. Printed in USA